

CONTI

— E S P R E S S O M A C H I N E —

CC100

**STANDARD
& DISPLAY &
DISPLAY TALL CUP**

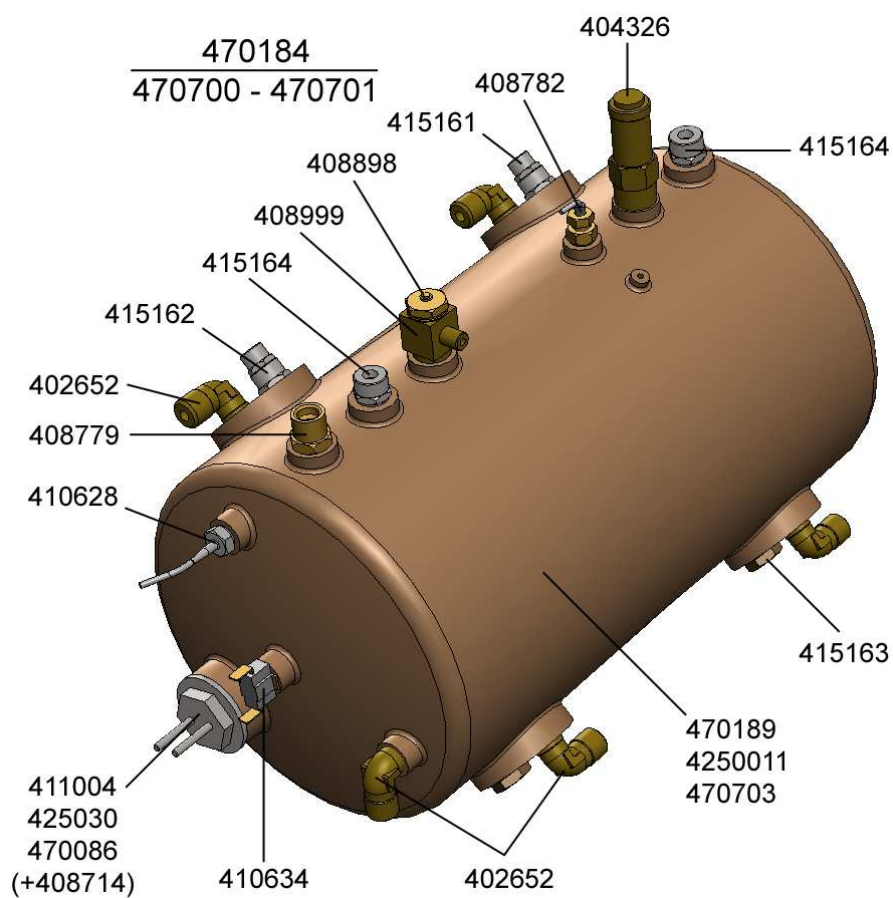


**PIECES DETACHEES
SPARE PARTS**

CONTI - Edition 06/2015

<u>DESIGNATION</u>	<u>PAGE</u>
1. CHAUDIÈRE ÉQUIPÉE / BOILER ASSEMBLY _____	2
2. GROUPE / GROUP _____	6
3. TURBINE EQUIPEE / TURBINE _____	8
4. PORTE FILTRE / FILTER HOLDER _____	10
5. BLOC VIDANGE / DRAINING PIECE _____	11
6. SORTIE VAPEUR / STEAM OUTLET _____	12
7. ROBINET DE PUISAGE / TAP _____	13
8. ENTREE D'EAU / WATER INLET CONTROL _____	14
9. TUYAUTERIE / PIPEWORK _____	16
10. MOTOPOMPE / MOTOR PUMP _____	15
11. MANOMÈTRE / MANOMETER _____	18
12. ELECTRICITÉ / ELECTRICITY _____	18
13. FAISCEAUX - DIVERS / WIRE - DIVERS _____	19
14. CARROSSERIE CC100 / MAIN FRAME CC100 _____	20
15. CARROSSERIE CC100 DISPLAY / MAIN FRAME CC100 DISPLAY _____	22
16. CARROSSERIE CC100 (SUITE) / MAIN FRAME CC100 (SUITE) _____	24
17. TABLEAU EQUIPE / EQUIPPED PANEL _____	25
18. OPTION TALL CUP - DISPLAY TALL CUP _____	26
19. OPTION DISPLAY BLANC / WHITE _____	26
20. ACCESSOIRES / ACCESSORIES _____	27
21. OPTION _____	27
22. OPTION 110V _____	27
23. OPTION CAPPU _____	28
24. OPTION KIT SOLO _____	28
25. PIECES DETACHEES POUR L'ENTRETIEN / SPARE PARTS FOR MAINTENANCE _____	29

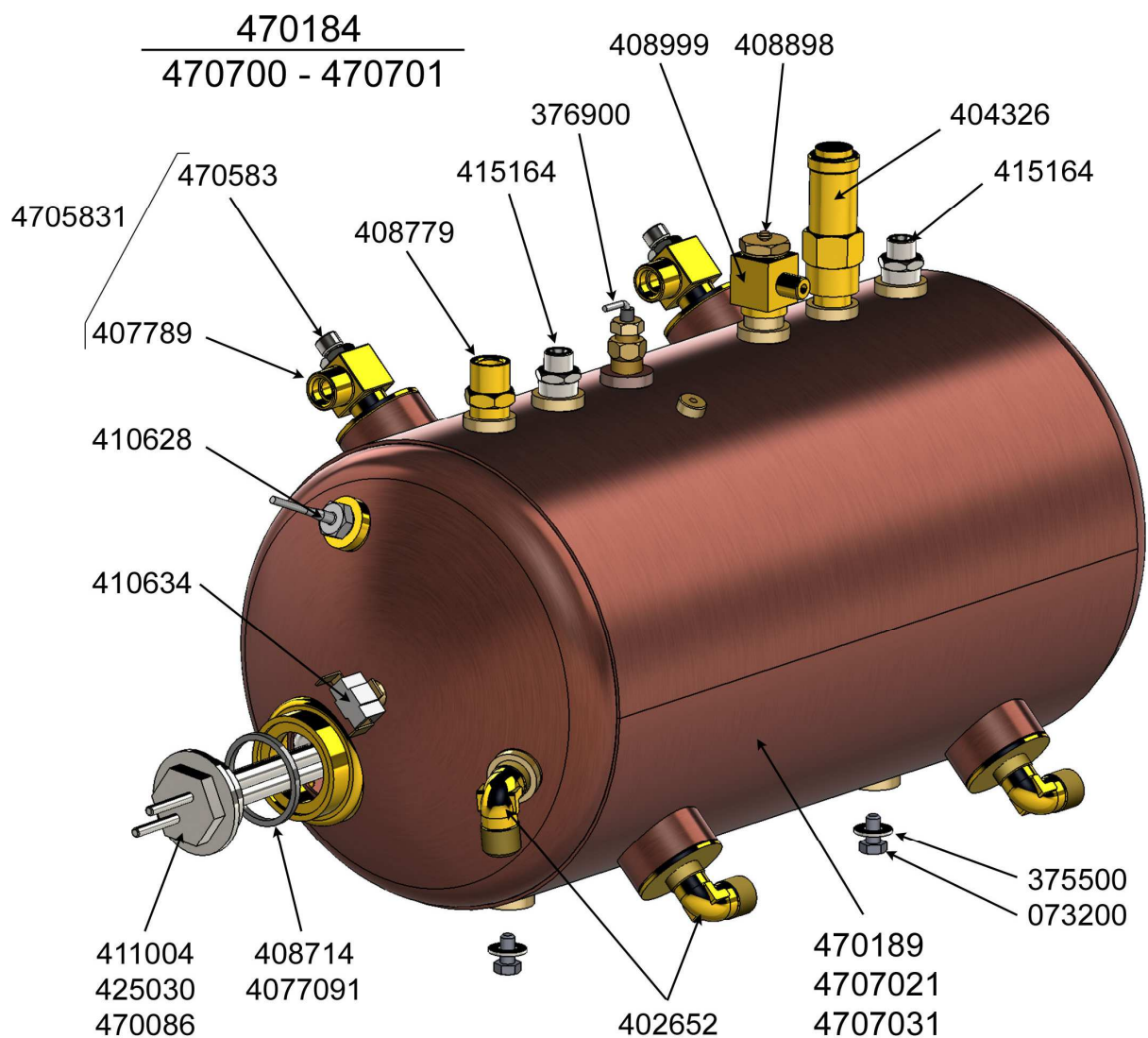
1. CHAUDIÈRE ÉQUIPÉE / BOILER ASSEMBLY



470184 CHAUDIERE EQUIPEE 1G
470700 CHAUDIERE EQUIPEE 2G
470701 CHAUDIERE EQUIPEE 3G

BOILER ASSEMBLY 1G
BOILER ASSEMBLY 2G
BOILER ASSEMBLY 3G

402652	COUDE 3/8	ANGLE JOINT 3/8
404326	SOUPAPE SECURITE 1,5 BARS - 3/8	SAFETY VALVE 1,5 BARS - 3/8
408714	JT.PTFE 39,6X34,4X2,9	PTFE GASKET 39,6X34,4X2,9
408779	PLONGEUR EAU CHAUDE	HOT WATER PLUNGE
408898	DEPRESSEUR	RELIEF VALVE
408999	COUDE 3/8M - 1/8M - 1/4F	ANGLE JOINT 3/8M - 1/8M - 1/4F
411004	THERMOPL. 2500W.230V L200	HEATING ELEMENT 2500W 230V L200
415161	RACCORD 1/4M NIPPLE TUBE 6/4	FITTING 1/4M NIPPLE PIPE 6/4
415162	REDUCTION 3/8M 1/4F	CONNECTION 3/8M 1/4F
415163	BOUCHON 3/8M	CAP 3/8M
415164	RACCORD 3/8M NIPPLE TUBE 8/6	FITTING 3/8M NIPPLE PIPE 8/6
4250011	CHAUDIERE SOUDEE 2G	WELDED BOILER 2G
425030	THERMOPL. 3600W.230V L330	HEATING ELEMENT 3600W 230V L330
470086	THERMOPL. 4700W.230VAC L560	HEATING ELEMENT 4700W 230VAC L560
470189	CHAUDIERE SOUDEE 1G	WELDED BOILER 1G
470703	CHAUDIERE SOUDEE 3G	WELDED BOILER 3G
376900	SONDE ALIM. AUTO. L90	AUTOMATIC LEVEL SENSOR L90
410628	SONDE DE TEMPERATURE	TEMPERATURE SENSOR
410634	THERMOSTAT SECURITE 160° (KLIXON)	SAFETY THERMOSTAT 160°(KLIXON)



Après n° série 84130 (01/2011) / After serial number 84130 (2011/01)

470184 CHAUDIERE EQUIPEE 1G
470700 CHAUDIERE EQUIPEE 2G
470701 CHAUDIERE EQUIPEE 3G

BOILER ASSEMBLY 1G
BOILER ASSEMBLY 2G
BOILER ASSEMBLY 3G

073200 VIS TH 6X10 AC ZN
375500 RONDELLE Z6 INOX
402652 COUDE 3/8
404326 SOUPAPE SECURITE 1,5 BARS - 3/8
4077091 JT.PTFE 51,8X38,5X2,5 THERMOPL. (3G)
407789 TE 2X3/8M - 1/4F
408714 JT.PTFE 39,6X34,4X2,9 THERMOPL. (1/2G)
408779 PLONGEUR EAU CHAUDE
408898 DEPRESSEUR
408999 COUDE 3/8M - 1/8M - 1/4F
411004 THERMOPL. 2500W (1G)
415164 RACCORD 3/8M NIPPLE TUBE 8/6
425030 THERMOPL. 3600W. (2G)
470086* THERMOPL. 4700W. (3G)
470189 CHAUDIERE SOUDEE 1G
470583 TUBE INJECTEUR COURT
4705831 TUBE INJECTEUR COURT avec Té
4707021 CHAUDIERE SOUDEE 2G
4707031 CHAUDIERE SOUDEE 3G

SCREW 6X10
WASHER Z6
ANGLE JOINT 3/8
SAFETY VALVE 1,5 BARS - 3/8
PTFE GASKET 51,8X38,5X2,5 (3G)
ANGLE JOINT 2X3/8M - 1/4F
PTFE GASKET 39,6X34,4X2,9 (1/2G)
HOT WATER PLUNGE
RELIEF VALVE
ANGLE JOINT 3/8M - 1/8M - 1/4F
HEATING ELEMENT 2500W (1G)
FITTING 3/8M NIPPLE PIPE 8/6
HEATING ELEMENT 3600W (2G)
HEATING ELEMENT 4700W (3G)
WELDED BOILER 1G
SHORT INJECTOR PIPE
SHORT INJECTOR PIPE with T-PIECE
WELDED BOILER 2G
WELDED BOILER 3G

376900 SONDE L90
410628 SONDE DE TEMPERATURE
410634 THERMOSTAT SECU. 160° (KLIXON)

LEVEL SENSOR L90
TEMPERATURE SENSOR
SAFETY THERMOSTAT 160°(KLIXON)

408782 remplacé par 376900 le 04/06/2015

408782 replaced for 376900 the 04/06/2015

Option CC101 110V

406921 THERMOPL. 1700W L200

HEATING ELEMENT 1700W L200

Option CC103 triphasée

470087 * THERMOPL. 6000W

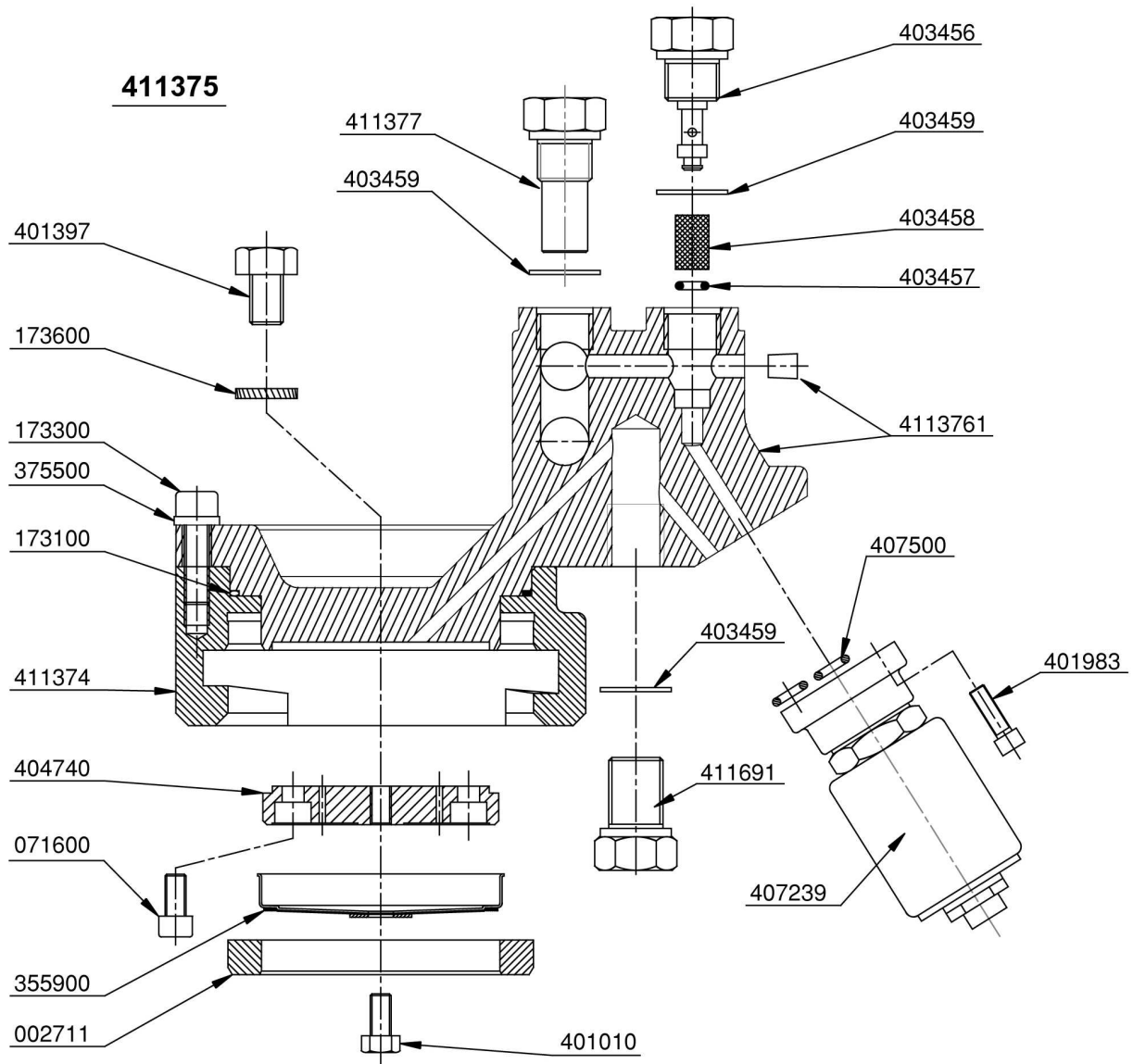
HEATING ELEMENT 6000W

* fixé avec 3 vis

073510 VIS TH 8X25 AC ZN

SCREW 8X25

2. GROUPE / GROUP



411375 GROUPE COMPLET 230V

002711	JOINT PORTE FILTRE ép 8,3
071600	VIS CHC 5x10 Inox A2
173100	JOINT TORIQUE 68x2 NBR 70
173300	VIS CHC 6x20 AC ZN
173600	RONDELLE EVENTAIL AZL8
355900	DOUCHETTE A GRILLE
375500	RONDELLE Z6 INOX
401010	VIS TH 5x10 inox A2
401397	VIS TH 8x12 Ac Zn
401983	VIS CHC 4X12
403456	GICLEUR
403457	JOINT TORIQUE 4,2x1,9 (R.3) EPDM70
403458	FILTRE 8X13
403459	JOINT CUIVRE 13,1x17x1 REC.
404740	DIFFUSEUR 9,2 STANDARD
407239	EV. 3V rubis 220V. 50 Hz
407500	JOINT PTFE 9,2X6X1,7
411374	EMBASE DE PORTE FILTRE
4113761	CORPS DE GROUPE + BOUCHON
411377	FREINEUR HYDRAULIQUE Ø10,5
411691	BOUCHON 1/4G spécial

COMPLET GROUP 230V

FILTER HOLDER SEAL thickness 8,3
SCREW 5x10
O'RING 68x2
SCREW 6x20
WASHER AZL8
PRINKLER
WASHER Z6
SCREW 5x10
SCREW 8x12
SCREW 4x12
SPRAY NOZZLE
O'RING 4,2x1,9
FILTER 8x13
COPPER GASKET 13,1x17x1
DIFFUSER 9,2 STANDARD
SOLENOID VALVE 200V.50Hz
PTFE GASKET 9,2X6X1,7
FILTER HOLDER SEAT
BODY UNIT + STOPPER
HYDRAULIC BREAKER Ø10,5
STOPPER 1/4

Option CC101 110V

4113751 GROUPE COMPLET 110V

401816	EV.3V. 110V-60HZ. UL.
--------	-----------------------

COMPLET GROUP 110V

SOLENOID VALVE 3 ways 110V 60Hz UL

En option / In option

4113771 FREINEUR HYDRAULIQUE Ø10,6

HYDRAULIC BREAKER Ø10,6



470699 FREINEUR 2 POSITIONS

BREAKER 2 POSITIONS



3. TURBINE EQUIPEE / TURBINE

Avant (01/2011) / Before (2011/01)

470198 TURBINE EQUIPE RACCORD
470789 TURBINE EQUIPE TE
470790 TURBINE EQUIPE COUDE

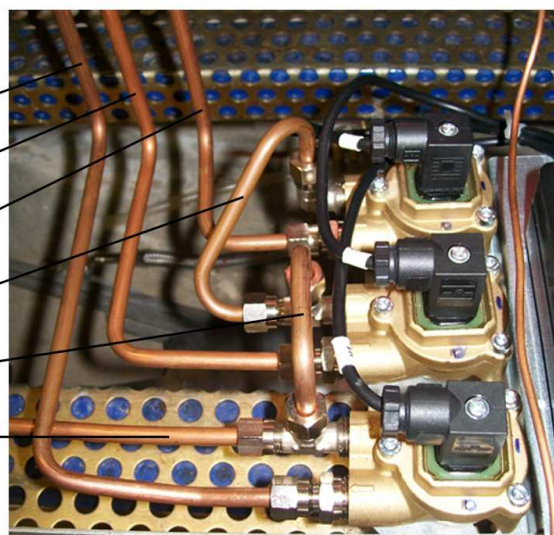
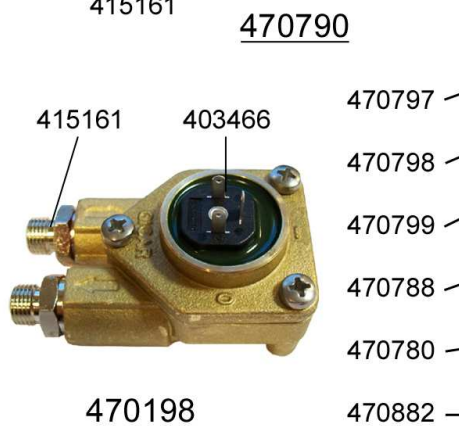
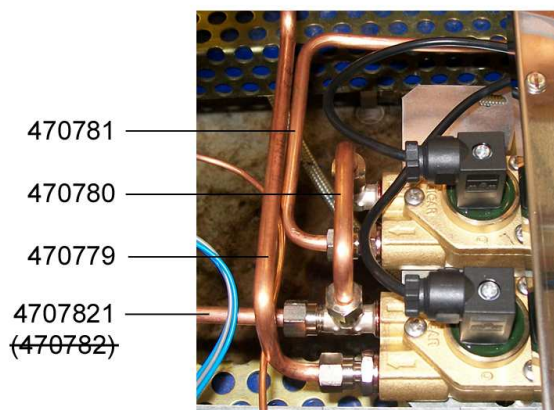
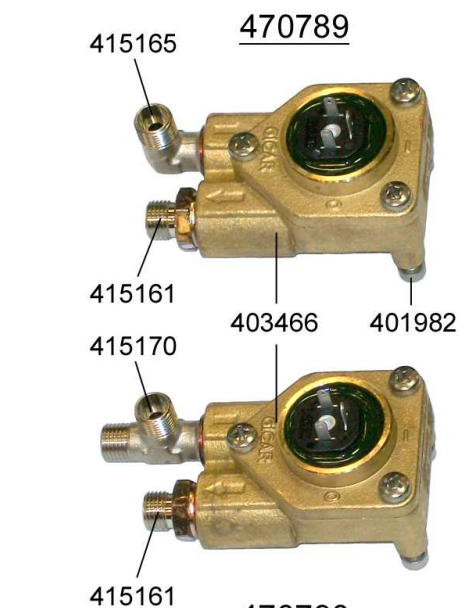
FLOWMETER EQUIPPED
FLOWMETER EQUIPPED
FLOWMETER EQUIPPED

401982 VIS CHC 4X8 INOX
 403466 COMPTEUR VOLUMETRIQUE
 415161 RACCORD 1/4M NIPPLE TUBE 6/4
 415165 TE 1/4M 2X1/4M NIPPLE TUBE 6/4
 415170 COUDE 1/4M 1/4M NIPPLE TUBE 6/4

SCREW 4X8
 FLOW METER
 FITTING 1/4M NIPPLE PIPE 6/4
 TE 1/4M 2X1/4M NIPPLE PIPE 6/4
 ANGLE JOINT 1/4M 1/4M NIPPLE PIPE 6/4

470779 TUBE TURBINE A TERMO GAUCHE 2G
 470780 TUBE TURBINE A TURBINE 2G
 470781 TUBE TURBINE A TERMO DROIT 2G
 4707821 TUBE ALIMENTATION TURBINE 2G
 470788 TUBE TURBINE A TURBINE 3G
 470797 TUBE TURBINE A TERMO GAUCHE 3G
 470798 TUBE TURBINE A TERMO CENTRE 3G
 470799 TUBE TURBINE A TERMO DROIT 3G
 470882 TUBE ALIMENTATION TURBINE 3G

FLOWMETER to BOILER LEFT PIPE 2G
 PIPE FOR TURBINE TO TURBINE 2G
 FLOWMETER to BOILER RIGHT PIPE 2G
 TURBINE FEED PIPE 2G
 PIPE FOR TURBINE TO TURBINE 3G
 FLOWMETER to BOILER LEFT PIPE 3G
 FLOWMETER to BOILER CENTER PIPE 3G
 FLOWMETER to BOILER RIGHT PIPE 3G
 TURBINE FEED PIPE 3G



Après (01/2011) / After (2011/01)

- 470198 TURBINE EQUIPE RACCORD
- 470789 TURBINE EQUIPE TE
- 470790 TURBINE EQUIPE COUDE

- FLOWMETER EQUIPPED
- FLOWMETER EQUIPPED
- FLOWMETER EQUIPPED

- 401982 VIS CHC 4X8 INOX
- 403466 COMPTEUR VOLUMETRIQUE
- 415161 RACCORD 1/4M NIPPLE TUBE 6/4
- 415165 TE 1/4M 2X1/4M NIPPLE TUBE 6/4
- 415170 COUDE 1/4M 1/4M NIPPLE TUBE 6/4

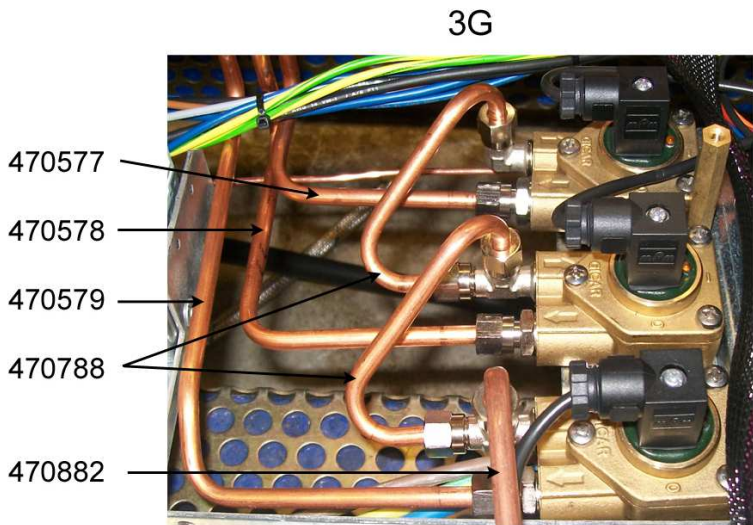
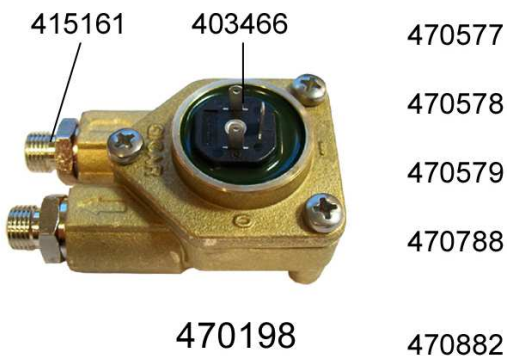
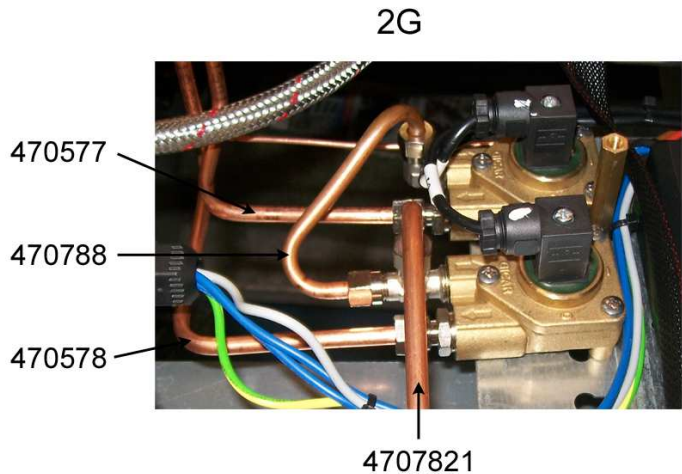
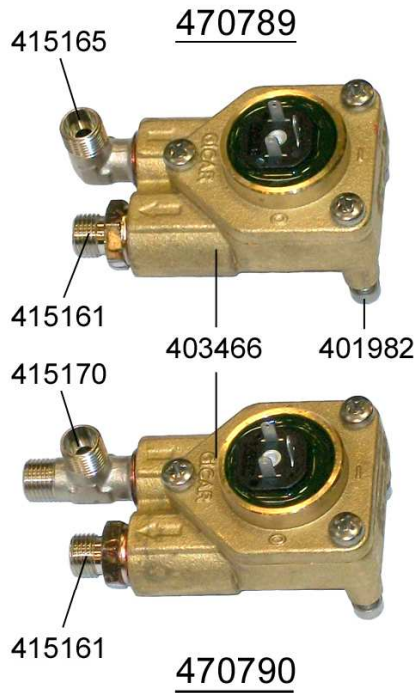
- SCREW 4X8
- FLOW METER
- FITTING 1/4M NIPPLE PIPE 6/4
- TE 1/4M 2X1/4M NIPPLE PIPE 6/4
- ANGLE JOINT 1/4M 1/4M NIPPLE PIPE 6/4

- 470577 TUBE TURBINE A TERMO DROIT 2G
- 470578 TUBE TURBINE A TERMO GAUCHE 2G /
 CENTRE 3G

- FLOWMETER to BOILER RIGHT PIPE 2G
- FLOWMETER to BOILER LEFT 2G /
 CENTER 3G PIPE

- 470579 TUBE TURBINE A TERMO GAUCHE 3G
- 4707821 TUBE ALIMENTATION TURBINE 2G
- 470788 TUBE TURBINE A TURBINE 3G
- 470882 TUBE ALIMENTATION TURBINE 3G

- FLOWMETER to BOILER LEFT PIPE 3G
- TURBINE FEED PIPE 2G
- PIPE FOR TURBINE TO TURBINE 3G
- TURBINE FEED PIPE 3G



4. PORTE FILTRE / FILTER HOLDER

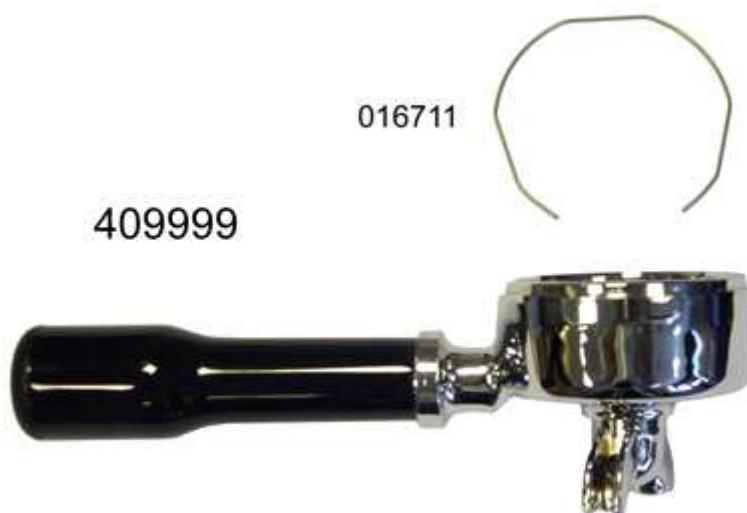
ATTENTION : Les filtres ne sont pas fournis avec nos porte-filtres complets. Les commander séparément.
WARNING : Filters are not supplied with our filter-holders. They have to be ordered separately.

409998 P-F 1 TASSE NOIR COMPLET
409999 P-F 2 TASSES NOIR COMPLET

BLACK 1 CUP FILTER HOLDER ASSEM.
BLACK 2 CUP FILTER HOLDER ASSEM.

016711 CLIPS POUR FILTRE

FILTER CLIPS



016780 FILTRE 2 TASSES HT.22 14g
016840 FILTRE 1 TASSE HT.20 7g

2 CUP FILTER HT.22 14g
1 CUP FILTER HT.20 7g



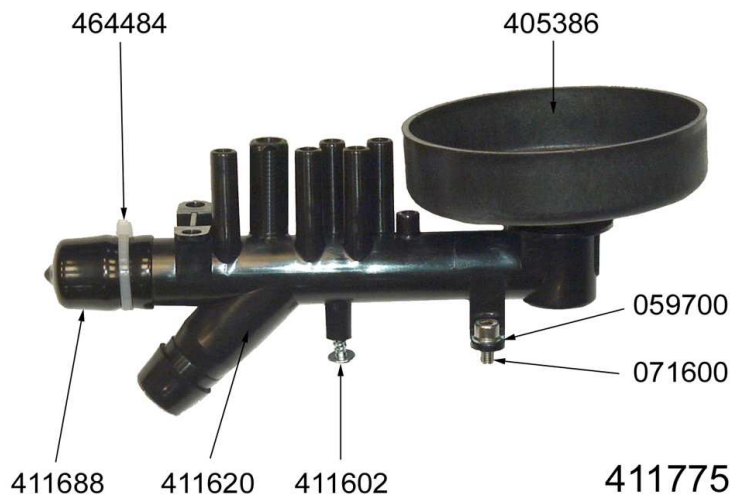
5. BLOC VIDANGE / DRAINING PIECE

411775 BLOC VIDANGE COMPLET

059700 RONDELLE ACIER Z DE 5
 071600 VIS CHC 5X10 INOX A2
 405386 COUPELLE RECUPERATION
 411602 VIS TX 5X10
 411620 COLLECTEUR VIDANGE MIXTE
 411688 EMBOUT BLOC VIDANGE
 464484 COLLIER 3,6X140

DRAINING PIECE ASSEMBLY 2/3/4G

WASHER Z5
 SCREW 5X10
 DRIP PAN
 SCREW TX 5X10
 DRAIN
 NOZZLE DRAIN BLOCK
 COLLAR 3,6X140



A partir de mi mars 2015 / from march 2015

470877 BLOC ÉVACUATION 1G

470878 BLOC ÉVACUATION 2G

470879 BLOC ÉVACUATION 3G

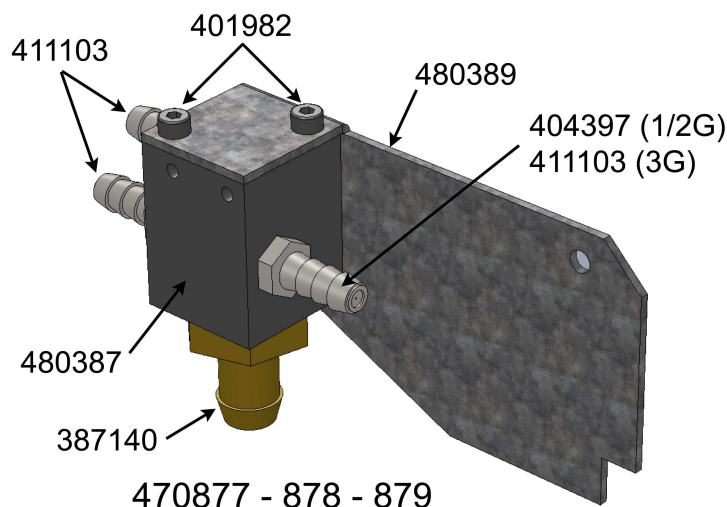
387140 EMBOUT CANNELE 1/2 - 15
 401982 VIS CHC 4X8 INOX A2
 409397 BOUCHON 1/8G MALE CONIQUE
 411103 DOUILLE CANNELEE 8-1/8
 480387 EVACUATION
 480389 SUPPORT EVACUATION KIT CC100

DRAIN BLOCK 1G

DRAIN BLOCK 2G

DRAIN BLOCK 3G

GROOVED JOINT 1/2 - 15
 SCREW 4X8
 1/8M STOPPER
 GROOVED SOCKET 8-1/8
 DRAIN
 DRAIN SUPPORT



6. SORTIE VAPEUR / STEAM OUTLET

411930 **SORTIE EAU CHAUDE CPLTE**

411962 **SORTIE VAPEUR ALLONGÉE CPLTE**

COMPLETE HOT WATER OUTLET

COMPLETE LONG STEAM OUTLET

055300 JOINT TORIQUE 12,1X2,7

055400 JOINT TORIQUE 6X1

061200 JOINT TORIQUE 13,6X2,7

401320 RONDELLE D'APPUI

401321 RESSORT ROTULE

O'RING 12,1X2,7

O'RING 6X1

O'RING 13,6X2,7

WASHER

SPRING



7. ROBINET DE PUISAGE / TAP

470839 ROBINET COMPLET + POIGNEE
470840 ROBINET COMPLET

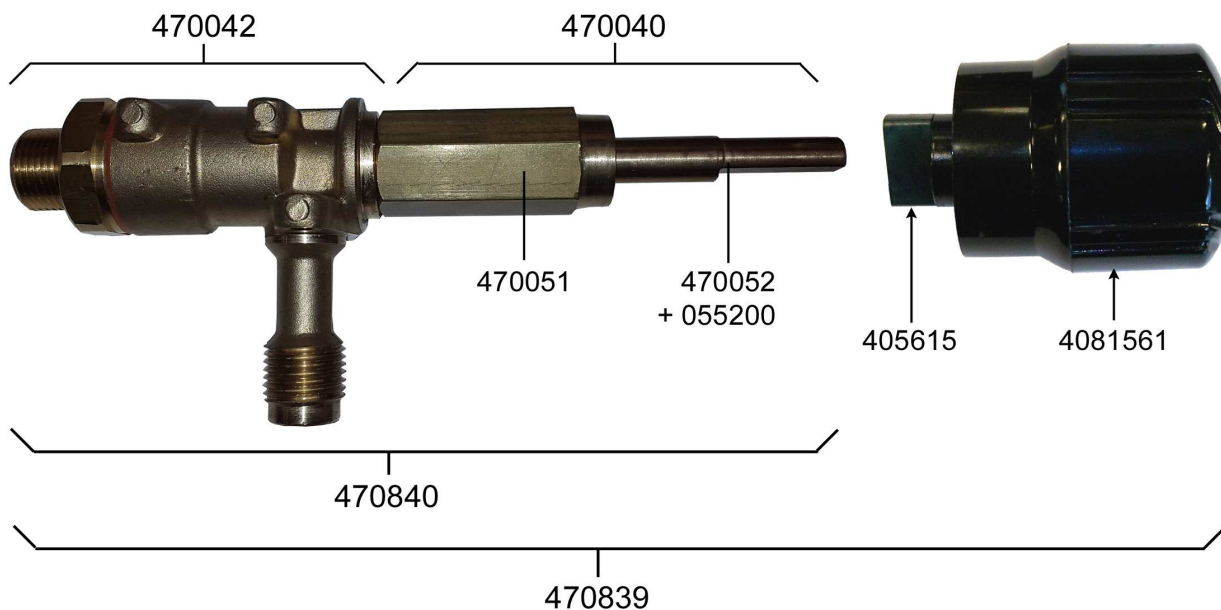
TAP COMPLETE + HANDLE
TAP COMPLETE

470042 ROBINET STANDARD
470040 COMMANDE POIGNÉE TOURNANTE

TAP
COMPLETE COMMAND FOR TAP HANDLE

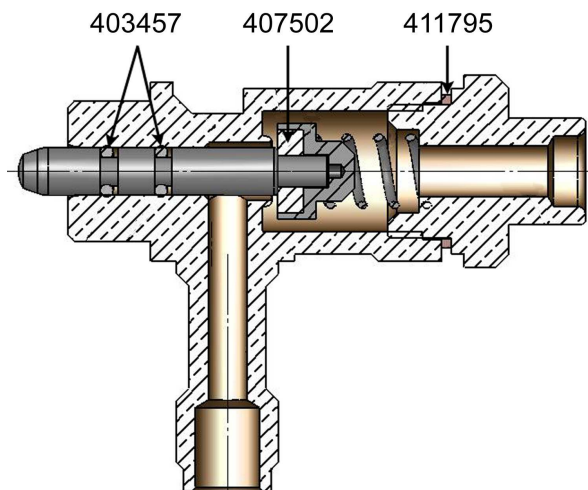
055200 JT.TR. 8,9X2,7 R.8
405615 CLIPS POIGNEE
4081561 POIGNEE ROBINET PUISAGE NOIRE
470051 CORPS DE COMMANDE ROB.TOURNANT
470052 AXE DE COMMANDE ROB.TOURNANT

O'RING 8,9X2,7
HANDLE CLIP
BLACK TAPE HANDLE
COMMAND BODY FOR TAP
COMMAND AXLE FOR TAP



403457 JOINT TORIQUE 4,2x1,9 (R.3) EPDM70
407502 CLAPET 13X5X4 EPDM80
411795 JOINT CUIVRE 21X26X1,5

O'RING 4,2x1,9
VALVA WASHER 13X5X4
COPPER SEAL 21X26X1,5



8. ENTREE D'EAU / WATER INLET CONTROL

470200 BLOC EE INJ + EV 2 VOIES

409397 BOUCHON 1/8G MALE
 415615 BLOC ENTREE EAU INJECTION
 450245 FILTRE PROTECTION EV
 470161 EV.2V.230V 50/60 BASE
 470199 FILTRE D'ENTREE EAU

219100 JOINT TORIQUE 8,9X1,9
 409774 LIMITEUR 12 BARS

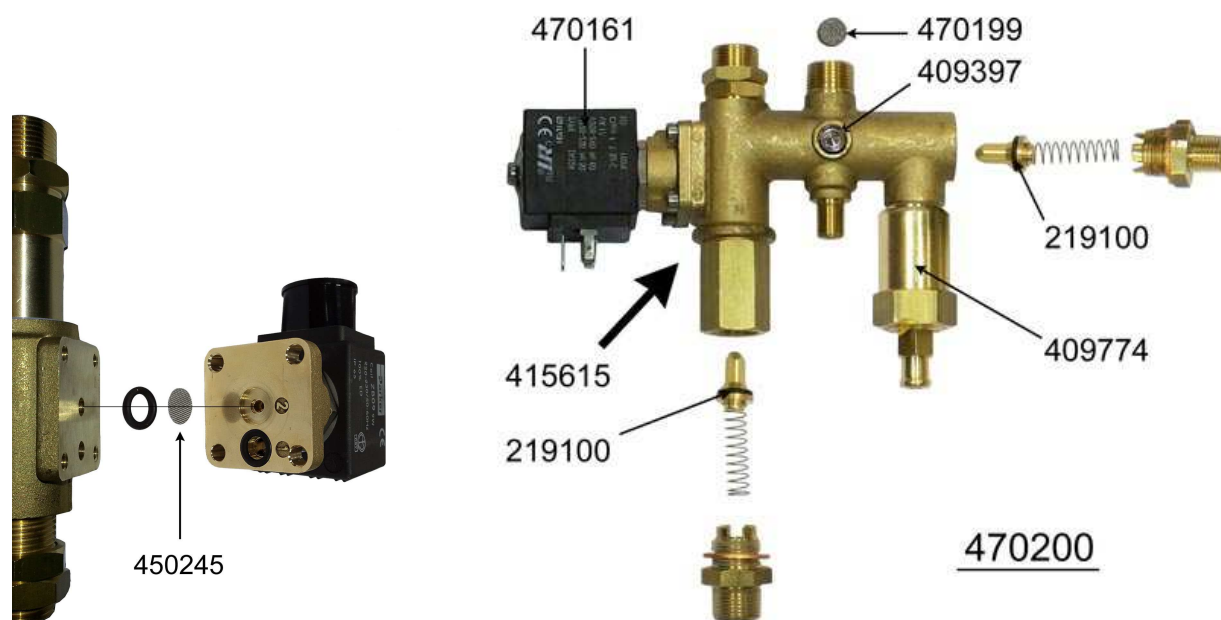
WATER INLET CONTROL + SV 2WAYS

1/8M STOPPER
 WATER INLET CONTROL INJECTION
 SV PROTECTION FILTER
 SOLENOID VALVE 2 WAY 230V 50-60Hz
 FILTER WATER INLET

O'RING 8,9X1,9
 12 BARS LIMITER (RELIEF VALVE)



Limiteur taré à 12 bars en usine / Relief device calibrated at 12 bars in factory.



Option CC101 110V

470595 BLOC EE INJ + EV 2 VOIES 110V
 470599 EV.2V.110V 50/60 BASE

WATER INLET CONTROL + SV 2WAYS
 SOLENOID VALVE 2 WAY 110V 50-60Hz

9. MOTOPOMPE / MOTOR PUMP

470164 **MOTOPOMPE HORIZ. CPLTE 1/2G**
470166 **MOTOPOMPE HORIZ. CPLTE 3G**

361700 ANNEAU DE FIXATION
 402652 COUDE 3/8
 4057225 POMPE B.P.& FILTRE 100L (1/2G)
 4057226 POMPE B.P.& FILTRE 200L (3G)
 4098331 COUDE 3/8NPTC - 3/8BSP
 411861 FILTRE 3/8
 470163 MOTEUR SEUL 220-230V 50/60HZ
 470167 CONDENSATEUR 8µF
 470890 PLOT ELASTIQUE M6
 470894 ECROU EMBASE M6

HORIZ. MOTOR PUMP ASSEMBLY 1/2G
HORIZ. MOTOR PUMP ASSEMBLY 3G

FIXING CLIP
 ANGLE JOINT 3/8
 PUMP B.P.& FILTER 100L (1/2G)
 PUMP B.P.& FILTER 200L (3G)
 ANGLE JOINT 3/8NPTC - 3/8BSP
 FILTER 3/8
 MOTOR UL 220-230V 50/60 HZ
 GRINDER CAPACITOR 8µF
 RUBBER SPACER M6
 NUT M6

FIXATION DES ELEMENTS

577 307750 COLLE TUBETANCHE 577

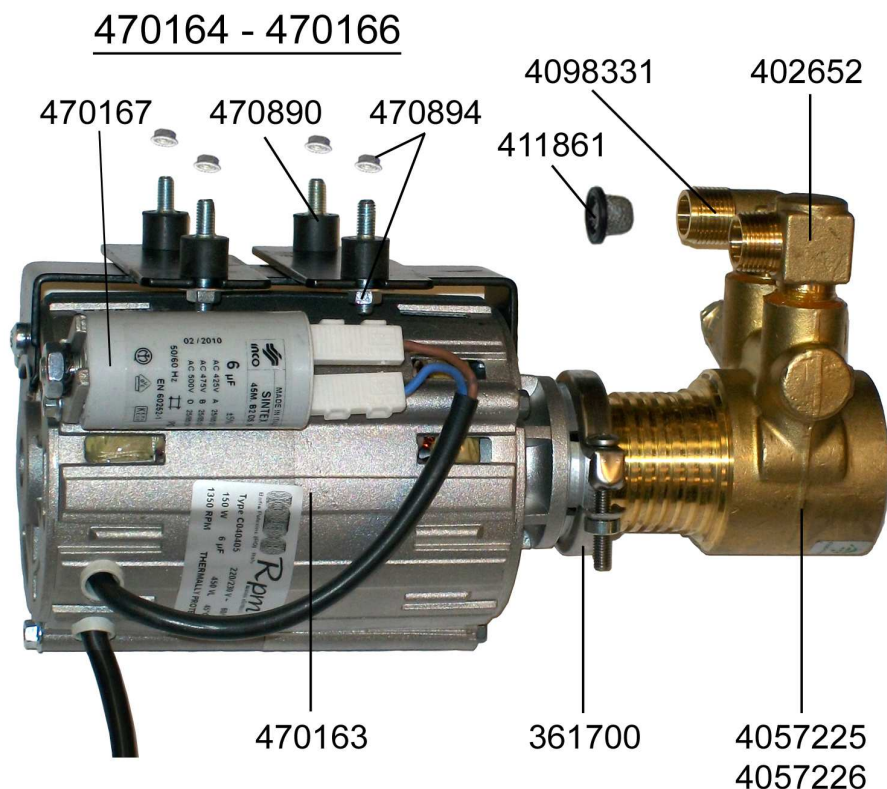
COMPONENT STICKING

GLUE 577 WATERTIGHT TUBE

Après 19/05/2011 / After 19/05/2011

411610 remplacé par 470894
 409164 remplacé par 470890

411610 replaced for 470894
 409164 replaced for 470890



Option CC101 110V

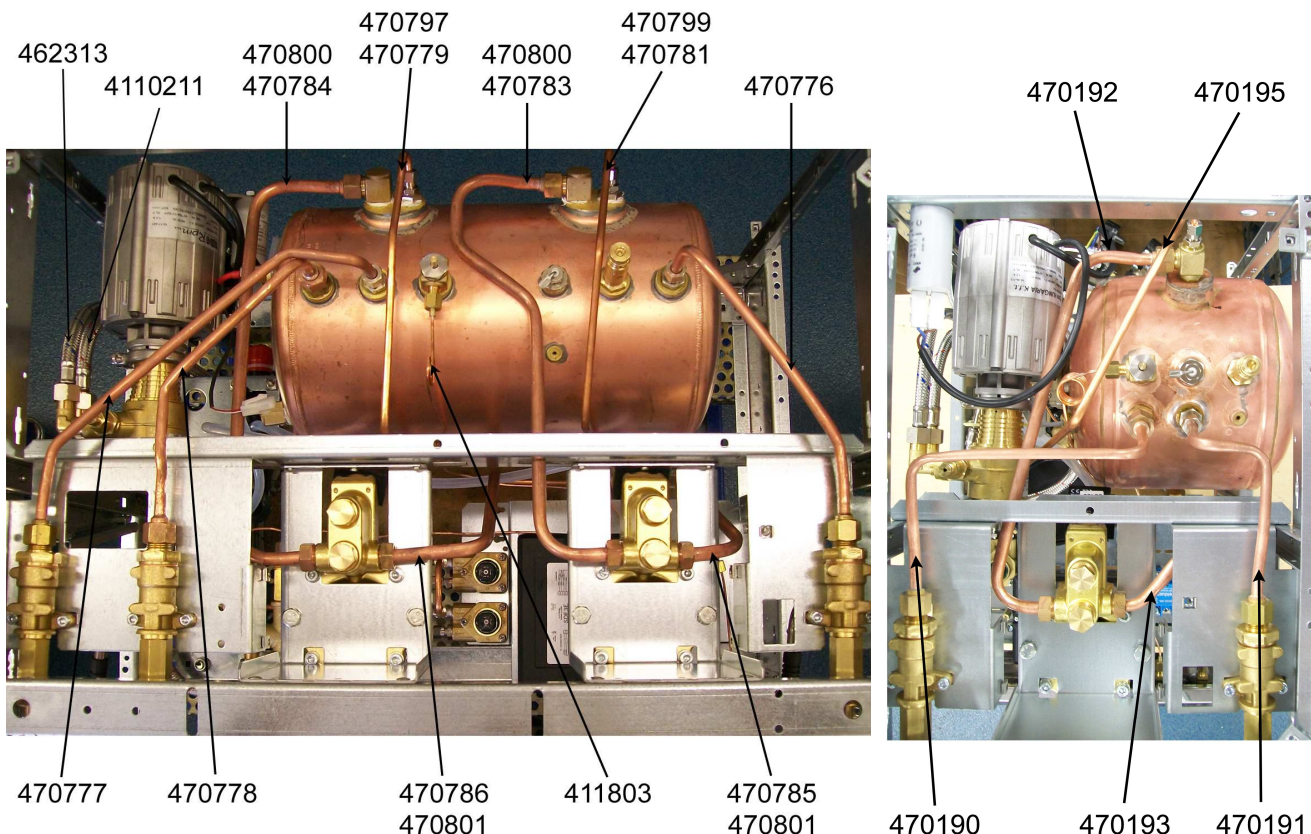
470596 **MOTOPOMPE HORIZ. 1G 110V**
470598 **MOTEUR SEUL 110V 50/60HZ**

HORIZ. MOTOR PUMP 1G 110V
MOTOR UL 110V 50/60 HZ

10. TUYAUTERIE / PIPEWORK

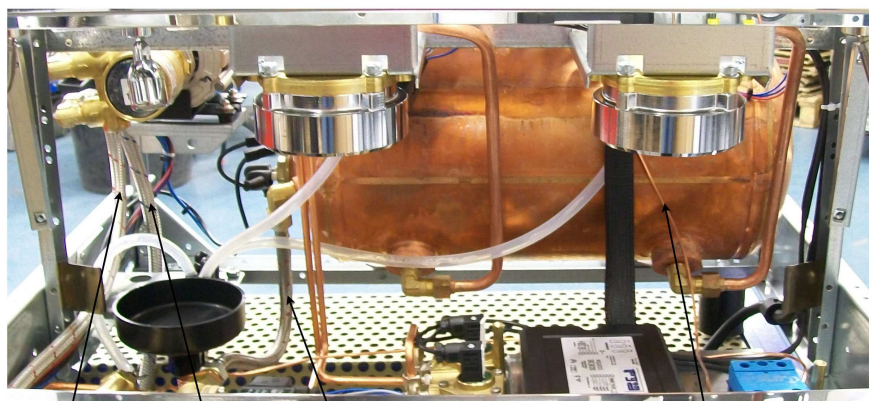
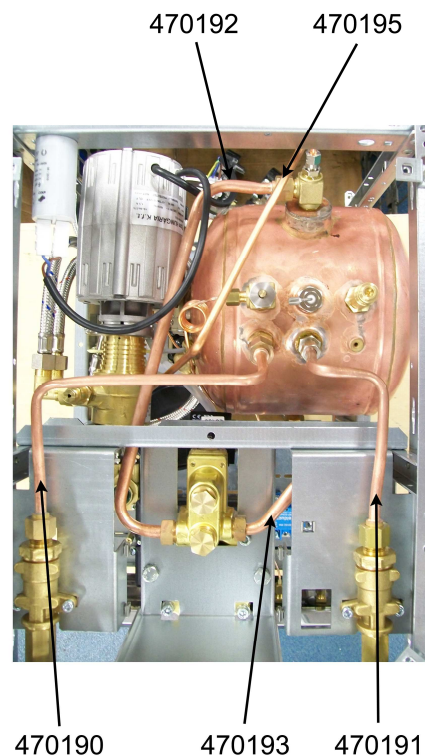
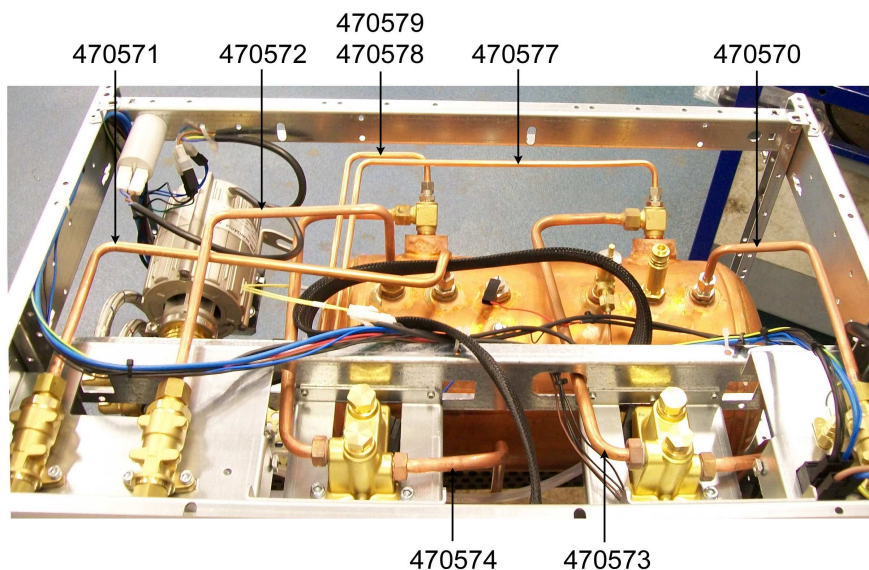
Avant n° série 84130 (01/2011) / Before serial number 84130 (2011/01)

4110221	FLEXIBLE LG600 3/8 FF90° EC	SHEETED HOSE LG600 3/8 FF90° EC
4116231	FLEXIBLE LG300 3/8 FF90° EC	SHEETED HOSE LG300 3/8 FF90° EC
4116241	FLEXIBLE LG400 3/8 FF90° EC	SHEETED HOSE LG400 3/8 FF90° EC
411803	CAPILLAIRE VAPEUR 1/8F 1/8F LG700	STEAM CAPILLARY 1/8F 1/8F LG700
462313	FLEXIBLE Lg1500 3/8F	SHEETED HOSE LG1500mm 3/8F
470190	TUBE EAU CHAUDE CC101	HOT WATER PIPE CC101
470191	TUBE VAPEUR CC101	STEAM PIPE CC101
470192	TUBE SUP. THERMO A GROUPE CC101	BOILER to GROUP UPPER PIPE CC101
470193	TUBE INF. THERMO A GROUPE CC101	BOILER to GROUP LOWER PIPE CC101
470194	TUBE ALIM. TURBINE CC101	TURBINE FEED PIPE CC101
470195	TUBE TURBINE A TERMO CC101	FLOWMETER to BOILER PIPE CC101
470776	TUBE VAPEUR DROIT	STEAM RIGHT PIPE
470777	TUBE VAPEUR GAUCHE	STEAM LEFT PIPE
470778	TUBE EAU CHAUDE	HOT WATER PIPE
470779	TUBE TURBINE A TERMO GAUCHE	FLOWMETER to BOILER LEFT PIPE
470780	TUBE TURBINE A TURBINE	PIPE FOR TURBINE TO TURBINE
470781	TUBE TURBINE A TERMO DROIT	FLOWMETER to BOILER RIGHT PIPE
470782	TUBE ALIMENTATION TURBINE	TURBINE FEED PIPE
470783	TUBE SUP. DROIT THERMO A GR CC102	BOILER to GROUP UPPER RIGHT PIPE CC102
470784	TUBE SUP. GAUCHE THERMO A GR CC102	BOILER to GROUP UPPER LEFT PIPE CC102
470785	TUBE INF. DROIT THERMO A GR CC102	BOILER to GROUP LOWER LEFT PIPE CC102
470786	TUBE INF. GAUCHE THERMO A GR CC102	BOILER to GROUP LOWER LEFT PIPE CC102
470797	TUBE TURBINE A TERMO GAUCHE CC103	FLOWMETER to BOILER LEFT PIPE CC103
470798	TUBE TURBINE A TERMO CENTRE CC103	FLOWMETER to BOILER CENTER PIPE CC103
470799	TUBE TURBINE A TERMO DROIT CC103	FLOWMETER to BOILER RIGHT PIPE CC103
470800	TUBE SUP. THERMO A GROUPE CC103	BOILER to GROUP UPPER PIPE CC103
470801	TUBE INF. THERMO A GROUPE CC103	BOILER to GROUP LOWER PIPE CC103



Après n° série 84130 (01/2011) / After serial number 84130 (2011/01)

405621	TUBE SILICONE 6X9	SILICON PIPE 6X9
4106431	FLEXIBLE LG300 3/8 FF EC	SHEETED HOSE LG400 3/8 FF EC
4116231	FLEXIBLE LG300 3/8 FF90° EC	SHEETED HOSE LG300 3/8 FF90° EC
4116241	FLEXIBLE LG400 3/8 FF90° EC	SHEETED HOSE LG400 3/8 FF90° EC
4116251	FLEXIBLE LG500 3/8 FF90° EC	SHEETED HOSE LG500 3/8 FF90° EC
411803	CAPILLAIRE VAPEUR 1/8F 1/8F LG700	STEAM CAPILLARY 1/8F 1/8F LG700
462313	FLEXIBLE Lg1500 3/8F	SHEETED HOSE LG1500mm 3/8F
470190	TUBE EAU CHAUDE CC101	HOT WATER PIPE CC101
470191	TUBE VAPEUR CC101	STEAM PIPE CC101
470192	TUBE SUP. THERMO A GROUPE CC101	BOILER to GROUP UPPER PIPE CC101
470193	TUBE INF. THERMO A GROUPE CC101	BOILER to GROUP LOWER PIPE CC101
470194	TUBE ALIM. TURBINE CC101	TURBINE FEED PIPE CC101
470195	TUBE TURBINE A TERMO CC101	FLOWMETER to BOILER PIPE CC101
470570	TUBE VAPEUR DROIT	STEAM RIGHT PIPE
470571	TUBE VAPEUR GAUCHE	STEAM LEFT PIPE
470572	TUBE EAU CHAUDE	HOT WATER PIPE
470573	TUBE THERMOSIPHON HAUT	THERMOSIPHON UPPER PIPE
470574	TUBE THERMOSIPHON BAS	THERMOSIPHON LOWER PIPE
470577	TUBE TURBINE A TERMO DROIT	FLOWMETER to BOILER RIGHT PIPE
470578	TUBE TURBINE A TERMO GAUCHE 2G / CENTRE 3G	FLOWMETER to BOILER LEFT 2G / CENTER 3G PIPE
470579	TUBE TURBINE A TERMO GAUCHE 3G	FLOWMETER to BOILER LEFT 3G PIPE
470780	TUBE TURBINE A TURBINE	PIPE FOR TURBINE TO TURBINE
4707821	TUBE ALIMENTATION TURBINE CC102	TURBINE FEED PIPE CC102
470882	TUBE ALIMENTATION TURBINE CC103	TURBINE FEED PIPE CC103



11. MANOMÈTRE / MANOMETER

470080 MANOMETRE 0-3 BARS Ø40
470081 MANOMETRE 0-16 BARS Ø40

MANOMETER 0-3 BARS Ø40
MANOMETER 0-16 BARS Ø40



470080



470081

12. ELECTRICITÉ / ELECTRICITY

405892 CONTACTEUR 220V (3G)
466092 RELAIS STATIQUE 12V
466206 FILTRE RC RELAIS
470202 CENTRALE CC100
470205 CENTRALE CC100 DISPLAY
470770 DISPLAY CC100 BLEU
470832 DISPLAY CC100 BLANC

CONTACTOR 220V (3G)
STATE RELAY 12V SOLID
RELAY FILTER
MAINBOARD CC100
MAINBOARD CC100 DISPLAY
DISPLAY CC100 BLUE
DISPLAY CC100 WHITE

470185 CAPOT DE PROTECTION CENTRALE 1G
470727 CAPOT DE PROTECTION CENTRALE 2/3G

PROTECTIVE CAP 1G
PROTECTIVE CAP 2/3G

Option CC101 110V

470597 CENTRALE CC101 110V

MAINBOARD CC101 110V



470202 - 470205



466092



470770
470832

13. FAISCEAUX - DIVERS / WIRE - DIVERS

408501 INTERRUPTEUR BIPOLAIRE ON/OFF SWITCH



470850 INTERRUPTEUR BIPOLAIRE M/A CAFE ON/OFF SWITCH COFFEE
470768 + 470769 remplacé par 470850 (02/2011) 470768+ 470769 replaced for 470850 (02/2011)



103250 CABLE H07 RNF 3X2,5 gris lg250cm SUPPLY CORD lg250cm
103600 CABLE H07 RNF 3X6 gris lg250cm SUPPLY CORD lg250cm
409839 CABLE POUSSOIR L110 CONTROL BOARD CABLE Lg110

103012
103250
103600
105250



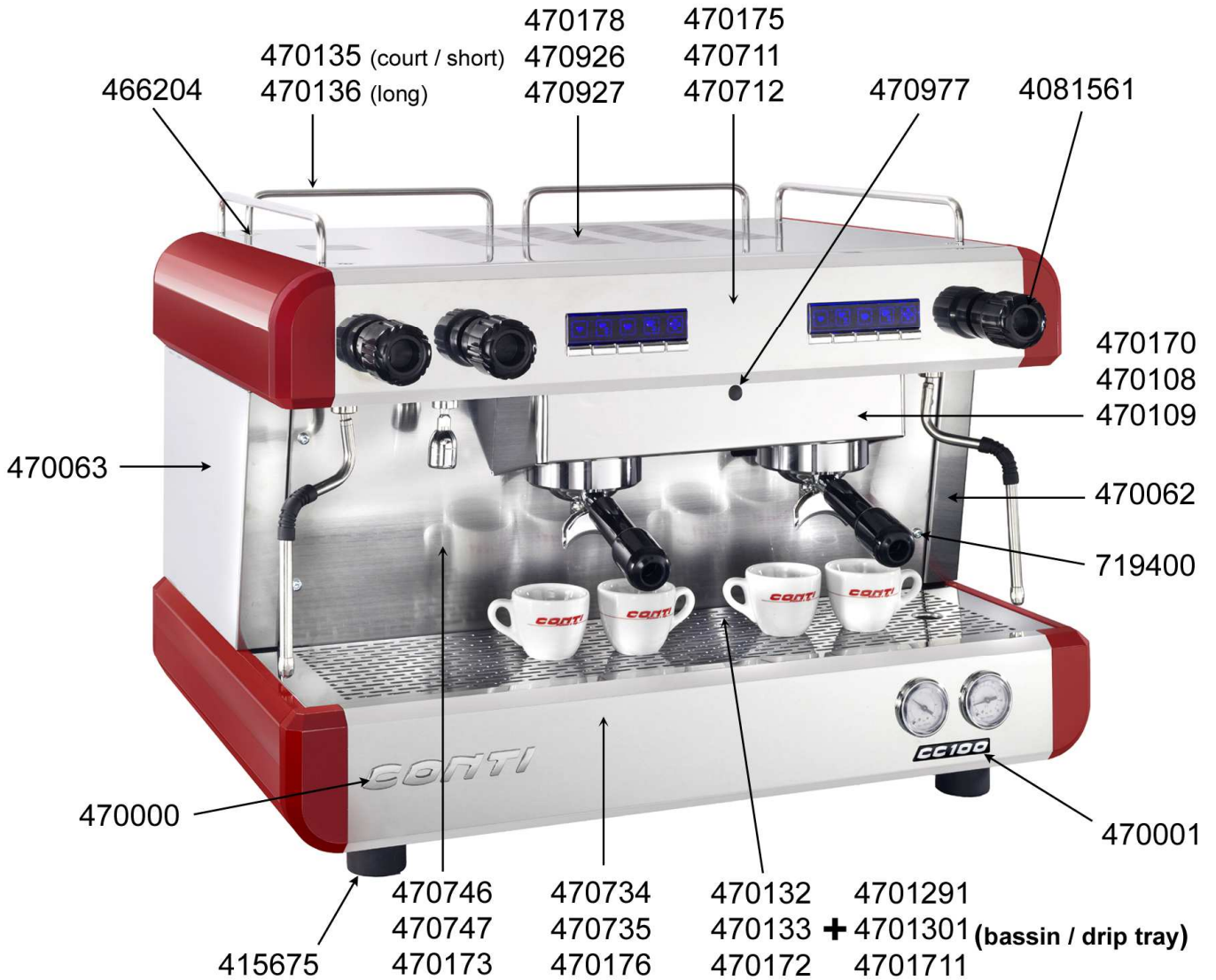
409839
411002

Option

103012 CABLE UL AWG 12/3 lg250cm (110V) SUPPLY CORD lg250cm (110V)
105250 CABLE H07 RNF 5X2,5 gris lg250cm (triph.) SUPPLY CORD lg250cm (triph.)

470177 FAISCEAU PUISS/CHAUFF 1G WIRING HARNESS 1G
470729 FAISCEAU PUISS/CHAUFF 3G WIRING HARNESS 3G
470731 FAISCEAU BASSE TENSION 1/2G LOW VOLTAGE BEAM 1/2G
470749 FAISCEAU BASSE TENSION 3G LOW VOLTAGE BEAM 3G
470771 FAISCEAU PUISS/CHAUFF 2G (std + displ.) WIRING HARNESS 2G (std + display)
470772 FAISCEAU PUISS/CHAUFF DISP. 3G WIRING HARNESS DISPLAY 3G
470775 FAISCEAU CHAUFFE DISPLAY 3G WIRING HEATING trifase 3G

14. CARROSSERIE CC100 / MAIN FRAME CC100



4081561	POIGNEE ROBINET PUISAGE NOIRE	BLACK TAPE HANDLE
415675	PIED CHROMÉ Ø50 M10 STD	FOOT CHROMED Ø50 M10
466204	VIS CBLX+fente ZN 4x8	SCREW 4X8
470000	SIGNATURE CONTI CHROMÉ	CHROMED CONTI LOGO
470001	DOME LOGO CC100	LOGO CC100
470062	JOUE DROITE	RIGHT SIDE PANEL
470063	JOUE GAUCHE	LEFT SIDE PANEL
470108	CARENAGE FIXE 2G	STREAMLINING FIXED GROUP 2G
470109	CARENAGE FIXE 3G	STREAMLINING FIXED GROUP 3G
4701291	BASSIN 2G	BASIN 2G
4701301	BASSIN 3G	BASIN 3G
470132	EGOUTTOIR 2G	DRIP TRAY 2G
470133	EGOUTTOIR 3G	DRIP TRAY 3G
470135	FIL COURT	WIRE SHORT
470136	FIL LONG	WIRE LONG
470170	CARENAGE FIXE 1G	STREAMLINING FIXED GROUP 1G
4701711	BASSIN SOUDE 1G	BASIN 1G
470172	EGOUTTOIR 1G	DRIP TRAY 1G
470173	FACADE ARRIERE 1G	REAR PANEL 1G
470175	TABLEAU DE COMMANDE EQUIPE 1G	EQUIPPED PANEL 1G
470176	BASE ARRIERE 1G	REAR BASE PLATE 1G
470178	CHAUFFE-TASSES 1G	CUP-WARMER 1G
470711	TABLEAU DE COMMANDE EQUIPÉ 2G	EQUIPPED PANEL 2G
470712	TABLEAU DE COMMANDE EQUIPÉ 3G	EQUIPPED PANEL 3G
470734	BASE ARRIERE 2G	REAR BASE PLATE 2G
470735	BASE ARRIERE 3G	REAR BASE PLATE 3G
470746	FACADE ARRIERE 2G	REAR PANEL 2G
470747	FACADE ARRIERE 3G	REAR PANEL 3G
470926	CHAUFFE-TASSES 2G	CUP-WARMER 2G
470927	CHAUFFE-TASSES 3G	CUP-WARMER 3G
470977	BOUCHON CARÉNAGE	STREAMLINING CAP
719400	VIS CBLX+fente ZN 5x16	SCREW 5X16

405929 remplacé par 415675 (le 13/01/2012)

405929 replaced for 415675 (the 13/01/2012)

15. CARROSSERIE CC100 DISPLAY / MAIN FRAME CC100 DISPLAY



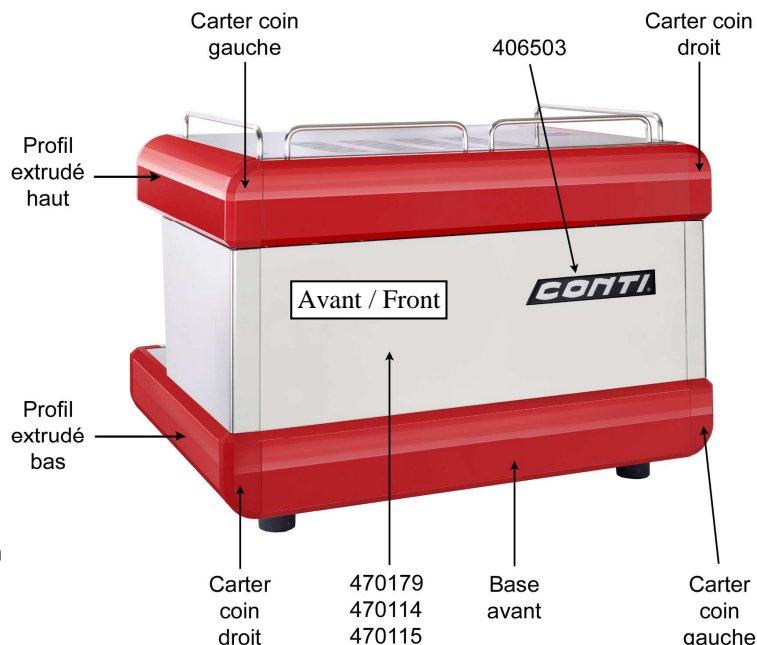
415675	PIED CHROMÉ Ø50 M10 STD	FOOT CHROMED Ø50 M10
4081561	POIGNEE ROBINET PUISAGE NOIRE	BLACK TAPE HANDLE
466204	VIS CBLX+fente ZN 4x8	SCREW 4X8
470000	SIGNATURE CONTI CHROMÉ	CHROMED CONTI LOGO
470001	DOME LOGO CC100	LOGO CC100
470062	JOUE DROITE	RIGHT SIDE PANEL
470063	JOUE GAUCHE	LEFT SIDE PANEL
470108	CARENAGE FIXE 2G	STREAMLINING FIXED GROUP 2G
470109	CARENAGE FIXE 3G	STREAMLINING FIXED GROUP 3G
4701291	BASSIN 2G	BASIN 2G
4701301	BASSIN 3G	BASIN 3G
470132	EGOUTTOIR 2G	DRIP TRAY 2G
470133	EGOUTTOIR 3G	DRIP TRAY 3G
470135	FIL COURT	WIRE SHORT
470136	FIL LONG	WIRE LONG
470714	TABEAU DE COMMANDE EQUIPÉ 2G	EQUIPPED PANEL 2G
470715	TABEAU DE COMMANDE EQUIPÉ 3G	EQUIPPED PANEL 3G
470737	BASE ARRIERE DISPLAY 2G	REAR BASE PLATE DISPLAY 2G
470738	BASE ARRIERE DISPLAY 3G	REAR BASE PLATE DISPLAY 3G
470746	FACADE ARRIERE 2G	REAR PANEL 2G
470747	FACADE ARRIERE 3G	REAR PANEL 3G
470765	DOME M/A	LOGO M/A
470850	INTERRUPTEUR BIPOLAIRE M/A CAFE	ON/OFF SWITCH COFFEE
470926	CHAUFFE-TASSES 2G	CUP-WARMER 2G
470927	CHAUFFE-TASSES 3G	CUP-WARMER 3G
470977	BOUCHON CARÉNAGE	STREAMLINING CAP
719400	VIS CBLX+fente ZN 5x16	SCREW 5X16

405929 remplacé par 415675 (le 13/01/2012)

405929 replaced for 415675 (the 13/01/2012)

16. CARROSSERIE CC100 (suite) / MAIN FRAME CC100 (suite)

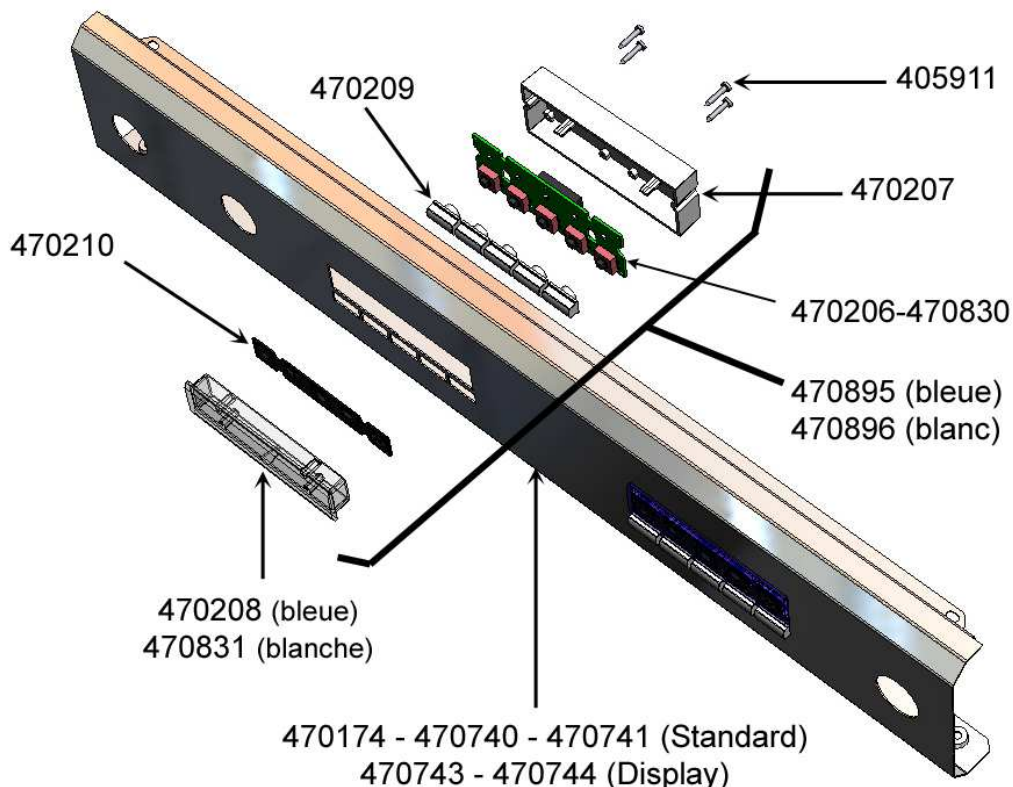
406503	SIGNATURE CONTI G.M.	LARGE CONTI LOGO
470114	FACADE AVANT 2G	FRONT PANEL 2G
470115	FACADE AVANT 3G	FRONT PANEL 3G
470179	FACADE AVANT 1G	FRONT PANEL 1G
470223	BASE AVANT 2G NOIRE	FRONT BASE PLATE 2G BLACK
470224	BASE AVANT 3G NOIRE	FRONT BASE PLATE 3G BLACK
470286	BASE AVANT 1G NOIRE	FRONT BASE PLATE 1G BLACK
470323	BASE AVANT 2G ROUGE	FRONT BASE PLATE 2G RED
470324	BASE AVANT 3G ROUGE	FRONT BASE PLATE 3G RED
470386	BASE AVANT 1G ROUGE	FRONT BASE PLATE 1G RED
470523	BASE AVANT 2G BLANCHE	FRONT BASE PLATE 2G WHITE
470524	BASE AVANT 3G BLANCHE	FRONT BASE PLATE 3G WHITE
470586	BASE AVANT 1G BLANCHE	FRONT BASE PLATE 1G WHITE
470258	CARTER COIN GAUCHE NOIR	BLACK ALUMINIUM LEFT CORNER
470259	CARTER COIN DROIT NOIR	BLACK ALUMINIUM RIGHT CORNER
470358	CARTER COIN GAUCHE ROUGE	RED ALUMINIUM LEFT CORNER
470359	CARTER COIN DROIT ROUGE	RED ALUMINIUM RIGHT CORNER
470558	CARTER COIN GAUCHE BLANC	WHITE ALUMINIUM LEFT CORNER
470559	CARTER COIN DROIT BLANC	WHITE ALUMINIUM RIGHT CORNER
470256	PROFIL EXTRUDE BAS NOIR	BLACK LOWER EXTRUDED PROFILE
470257	PROFIL EXTRUDE HAUT NOIR	BLACK HIGHER EXTRUDED PROFILE
470356	PROFIL EXTRUDE BAS ROUGE	RED LOWER EXTRUDED PROFILE
470357	PROFIL EXTRUDE HAUT ROUGE	RED HIGHER EXTRUDED PROFILE
470556	PROFIL EXTRUDE BAS BLANC	WHITE LOWER EXTRUDED PROFILE
470557	PROFIL EXTRUDE HAUT BLANC	WHITE HIGHER EXTRUDED PROFILE



17. TABLEAU EQUIPE / EQUIPPED PANEL

470175	TABLEAU CDE EQUIPÉ CC101	EQUIPPED PANEL CC101
470711	TABLEAU CDE EQUIPÉ CC102	EQUIPPED PANEL CC102
470712	TABLEAU CDE EQUIPÉ CC103	EQUIPPED PANEL CC103
470714	TABLEAU CDE EQ. CC102 DISPLAY	EQUIPPED PANEL CC102 DISPLAY
470715	TABLEAU CDE EQ. CC103 DISPLAY	EQUIPPED PANEL CC103 DISPLAY
405911	VIS ECO SYN 3X12	SCREW 3X12
470174	TABLEAU CDE CC101	PANEL CC101
470206	CARTE CLAVIER CC100 BLEUE	CARD KEYBOARD BLUE
470207	CAPOT SUPPORT CLAVIER CC100	COVER KEY HOLDER
470208	VITRE CLAVIER FUMEE BLEUE CC100	GLASS KEYBOARD BLUE SMOKE
470209	TOUCHE CLAVIER BOMBEE CC100	KEY KEYBOARD CONVEX
470210	DOME LOGO TASSES CLAVIER CC100	KEYPAD DOME LOGO MUGS
470740	TABLEAU CDE CC102	PANEL CC102
470741	TABLEAU CDE CC103	PANEL CC103
470743	TABLEAU CDE CC102 DISPLAY	PANEL CC102 DISPLAY
470744	TABLEAU CDE CC103 DISPLAY	PANEL CC103 DISPLAY
470830	CARTE CLAVIER CC100 BLANCHE	CARD KEYBOARD WHITE
470831	VITRE CLAVIER FUMEE BLANCHE CC100	GLASS KEYBOARD WHITE SMOKE
470765	DOME LOGO M/A	LOGO ON/OFF
470850	INTERRUPTEUR BIPOLAIRE M/A CAFE	ON/OFF SWITCH COFFEE
470881	PATTE RENFORT INTERRUPTEUR	REINFORCEMENT BRACKET SWITCH
470895	CLAVIER BLEU CC100 COMPLET	BLUE KEYBOARD COMPLETE CC100
470896	CLAVIER BLANC CC100 COMPLET	WHITE KEYBOARD COMPLETE CC100

470175 - 470711 - 470712 / 470714 - 470715



18. OPTION TALL CUP - DISPLAY TALL CUP

CARROSSERIE / MAIN FRAME

430173	SUPPORT DE TASSES (60mm)	CUP STAND (60 mm)
470140	FACADE ARRIERE CC101 TC	REAR PANEL CC101 TC
470846	FACADE ARRIERE CC102 TC	REAR PANEL CC102 TC
470847	FACADE ARRIERE CC103 TC	REAR PANEL CC103 TC
470854	CACHE GROUPE CC102 TC	GROUP FAIRING CC102 TC
470857	CACHE GROUPE CC103 TC	GROUP FAIRING CC103 TC



TUYAUTERIE / PIPEWORK

Avant n° série 84130 (01/2011) / Before serial number 84130 (2011/01)

470883	TUBE SUP. DROIT THERMO A GR CC102	BOILER to GROUP UPPER RIGHT PIPE CC102
470884	TUBE SUP. GAUCHE THERMO A GR CC102	BOILER to GROUP UPPER LEFT PIPE CC102
470885	TUBE INF. DROIT THERMO A GR CC102	BOILER to GROUP LOWER LEFT PIPE CC102
470886	TUBE INF. GAUCHE THERMO A GR CC102	BOILER to GROUP LOWER LEFT PIPE CC102
470887	TUBE SUP. THERMO A GROUPE CC103	BOILER to GROUP UPPER PIPE CC102
470888	TUBE INF. THERMO A GROUPE CC103	BOILER to GROUP LOWER PIPE CC102

Après n° série 84130 (01/2011) / After serial number 84130 (2011/01)

470884	TUBE SUP. THERMO A GROUPE 2/3G	BOILER to GROUP UPPER PIPE 2/3G
470888	TUBE INF. THERMO A GROUPE 2/3G	BOILER to GROUP LOWER PIPE 2/3G

470111	TUBE THERMOSIPHON HAUT 1G	UPPER THERMOSYPHON PIPE 1G
470113	TUBE THERMOSIPHON BAS 1G	LOWER THERMOSYPHON PIPE 1G

19. OPTION DISPLAY BLANC / WHITE

470830	CARTE CLAVIER CC100 BLANC	CARD KEYBOARD WHITE
470831	VITRE CLAVIER FUMEE BLANCHE CC100	GLASS KEYBOARD WHITE SMOKE
470832	DISPLAY CC100 BLANC	DISPLAY CC100 WHITE

20. ACCESSOIRES / ACCESSORIES

016795	FILTRE DE NETTOYAGE	CLEANING FILTER
016797	PINCEAU DE NETTOYAGE JOINT PF	FILTER HOLDER CLEANING BRUSH
408821	TESTEUR DE DURETE	WATER HARDNESS TESTER
411812	TUYAU DE VIDANGE LG150	DRAIN PIPE LG150
466662	PASTILLE DE NETTOYAGE (PAR 20)	CLEANING TABLETS (BY 20)



016797



016795



408821



411812



466662

21. OPTION

466661	PASTILLE DE NETTOYAGE (PAR 100)	CLEANING TABLETS (BY 100)
--------	---------------------------------	---------------------------



22. OPTION 110V

GROUPE 110V / 110V GROUP

401816 EV 3 VOIES 110V-60HZ

SOLENOID VALVE 110V-60HZ

CHAUDIÈRE 110V / 110V BOILER

406921 THERMOPLONGEUR 1700W 110V

HEATING ELEMENT 1700W 110V

BLOC EE INJ+ EV 2VOIES 110V / WATER INLET CONTROL + SV 2WAYS 110V

470599 EV 2 VOIES 110V-50/60HZ

2 WAYS VALVE 110V-50/60 BASE

MOTOPOMPE 110V / 110V MOTOR PUMP

470598 MOTEUR DE POMPE 110V

MOTOR ALONE 110V - 50/60HZ

ELECTRICITÉ 110V / 110V ELECTRICITY

103012 CÂBLE D'ALIM

UL CABLE AWG 12/3

470157 TÔLE PROTECTION

PROTECTION PLATE CC101 110V

470597 CENTRALE

MAINBOARD CC100 110V

23. OPTION CAPPU

4151961 CAPPUCCINATORE COMPLET

258000 JOINT 8X14,3X1,5
415196 CAPPUCCINATORE
415197 RALLONGE CAPPUCCINO

CAPPUCCINATORE COMPLETE

O'RING 8X14,3X1,5
CAPPUCCINATORE
EXTENSION CAPPUCCINATORE



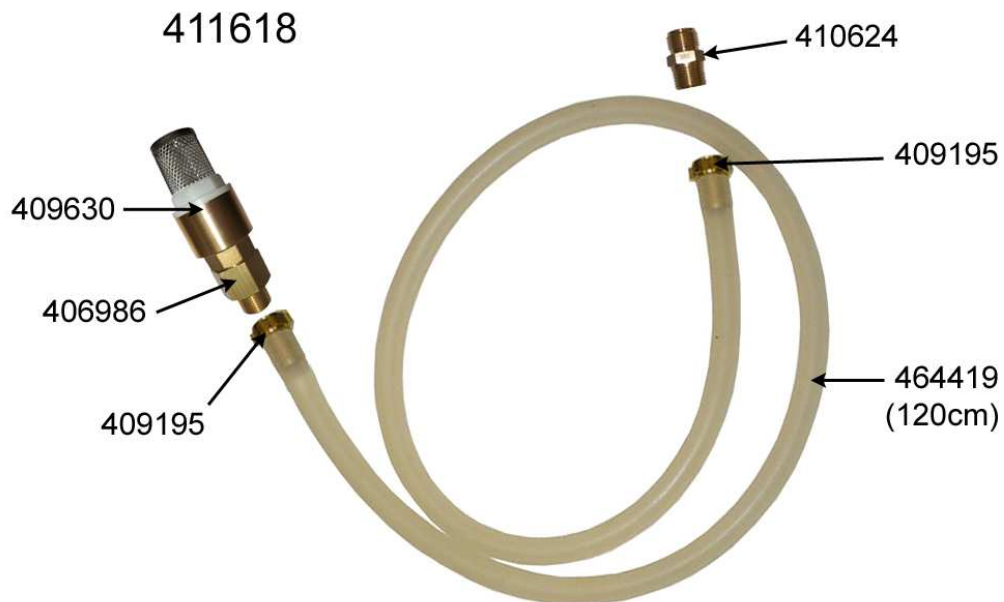
24. OPTION KIT SOLO

411618 KIT AUTONOME

406986 RACCORD ROBINET PUISAGE
409195 RACCORD CANNELE 3/8"
409630 CREPINE A CLAPET 1/2"
410624 NIPPLE 3/8M SO 110010X3/8
464419 TUBE SILICONE 10X16

SOLO KIT

TAP CONNECTOR
3/8" GROOVED CONNECTOR
1/2" STRAINER CHECK VALVE
3/8M SO 110010X3/8 NIPPLE
10X16 SILICON PIPE



25. PIECES DETACHEES POUR L'ENTRETIEN / SPARE PARTS FOR MAINTENANCE

470891 KIT A (USURE) / KIT A (WEAR)

470892 KIT B (URGENT) / KIT B (EMERGENCY)

470893 KIT C (STOCK) / KIT C (STOCK)

CONTI

— E S P R E S S O M A C H I N E —



web

La Ruche - 1, Avenue Albert II - B.P.119 - MC 98007 MONACO Cedex
Tél.: (377) 93 10 43 43 Fax : (377) 93 10 43 44
<http://www.conti-espresso.com> <http://www.conti-spareparts.com>
E-mail:tech@conti-espresso.com