

# retigo<sup>®</sup>

*DeliMaster*

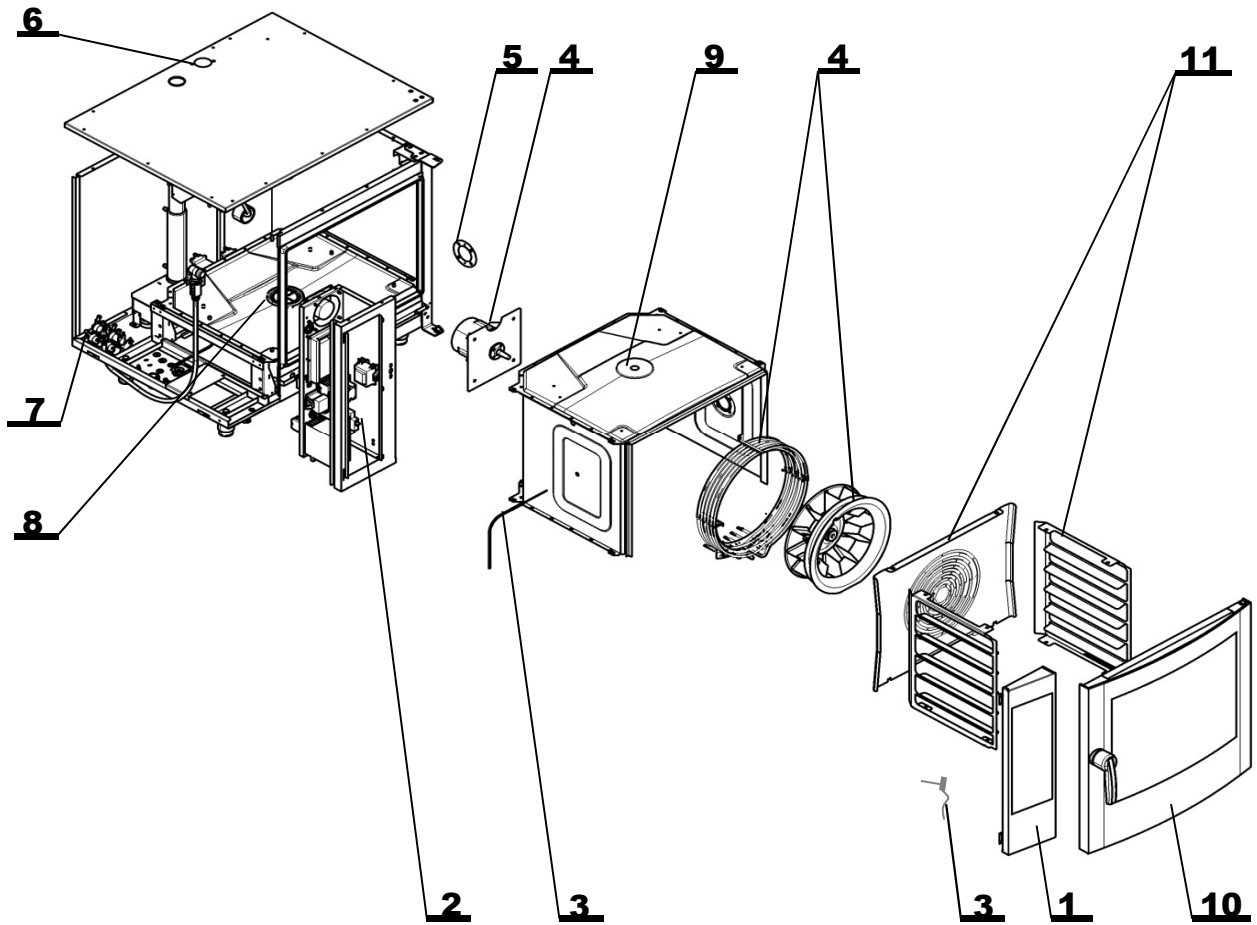


## Spare parts catalogue

**DeliMaster 5**



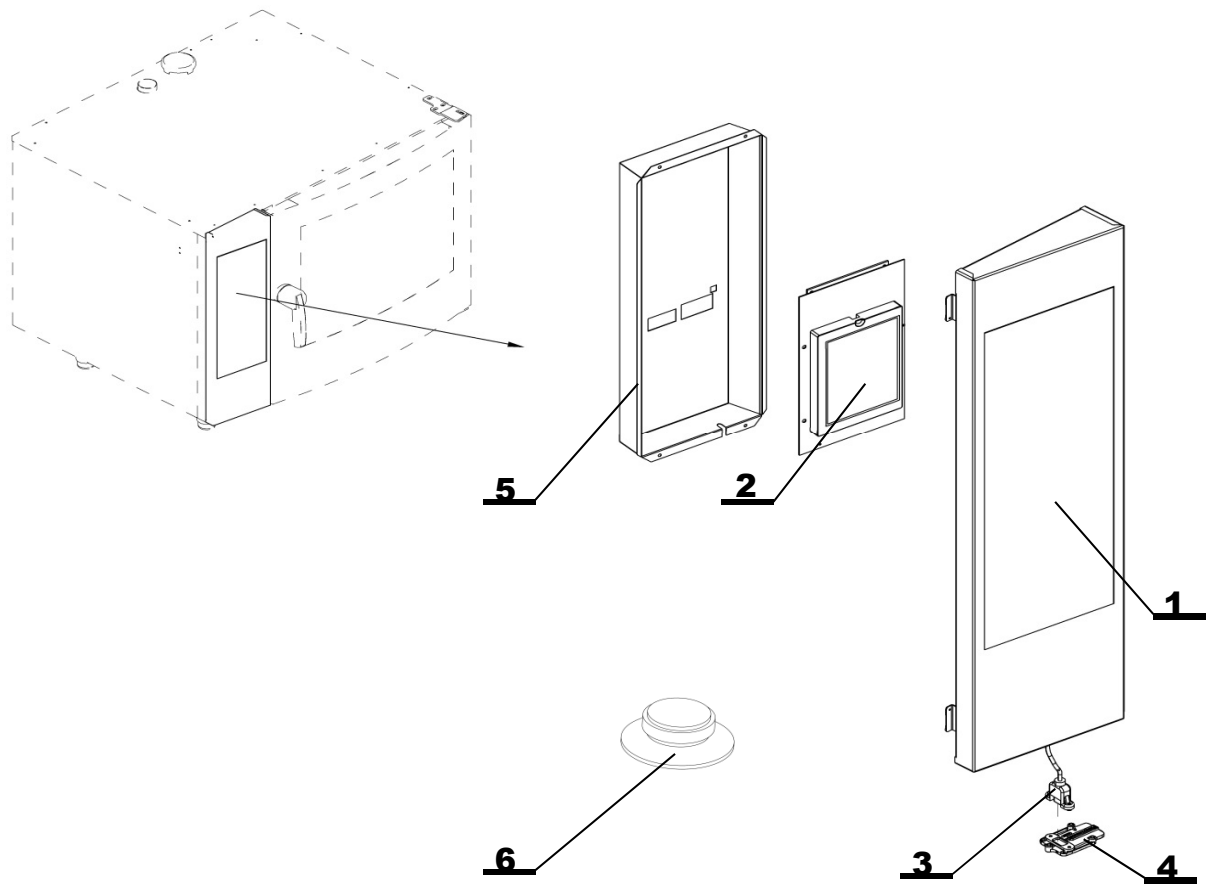
## DELI MASTER 5



## CONTENT

		Page
1	Control panel	4
2	Power panel	5
3	Temperature sensors	6
4	Motor, ventilator, heating	7
5	Light	8
6	Flap valve	9
7	Water distribution system	10
8	Drainage system	11
9	Automatic cleaning system	12
10	Door	13
11	Accessories	14

## CONTROL PANEL

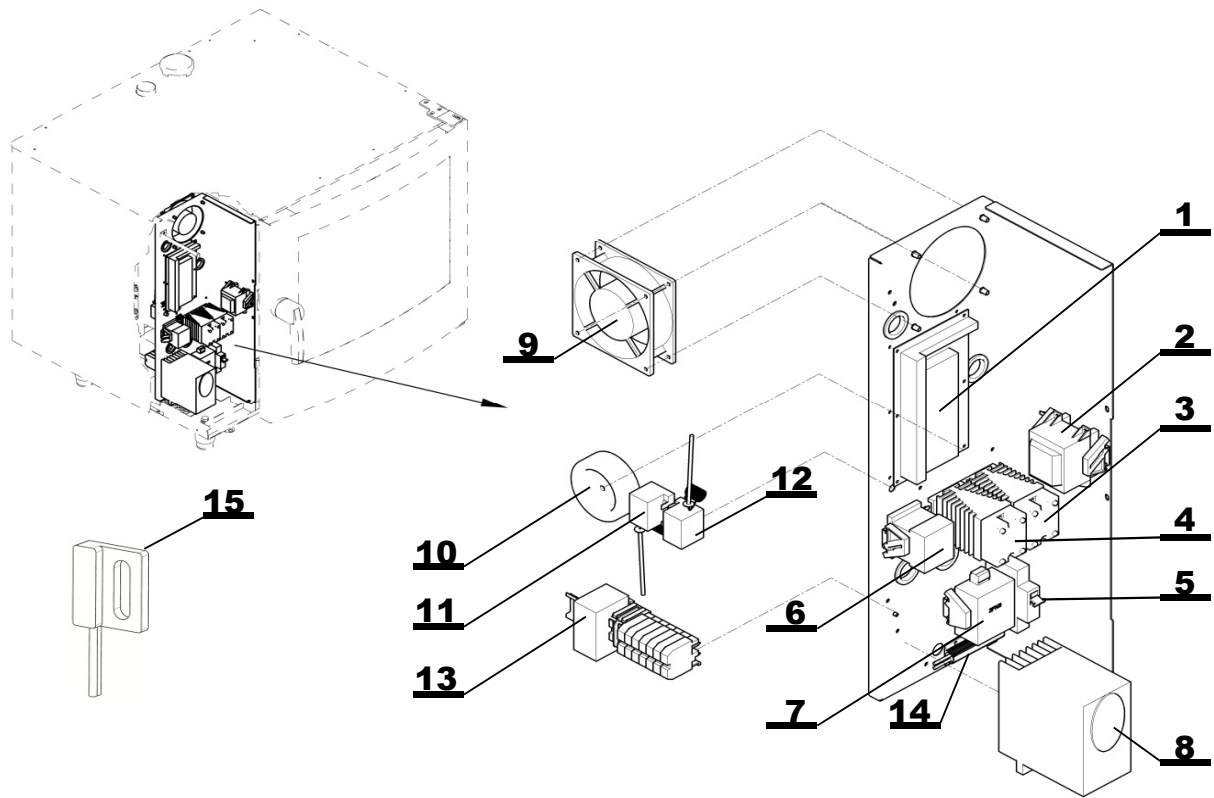


Position	Code	Nane	DM5
1	AC21-1217/CH1	WHOLE LEFT CORNER WITH ELECTRONIC DM 511	•
2	XC10-2000	ELECTRONIC BOARD SET VISION-BLUE Freescale 2011	•
3	EA05-0052	USB CABLE	•
4	SP21-0001	USB COVER	•
5	AP10-0021	COVER OF ELECTRONICS	•
6	EA13-0151	AUXILIARY LOUD-SPEAKER	•

Note:

1	AC21-1217/S/CH1	LEFT CORNER PLATE 6-DM 511 WITH USB CONNECTOR	•
---	-----------------	---	---

## CONTROL PANEL

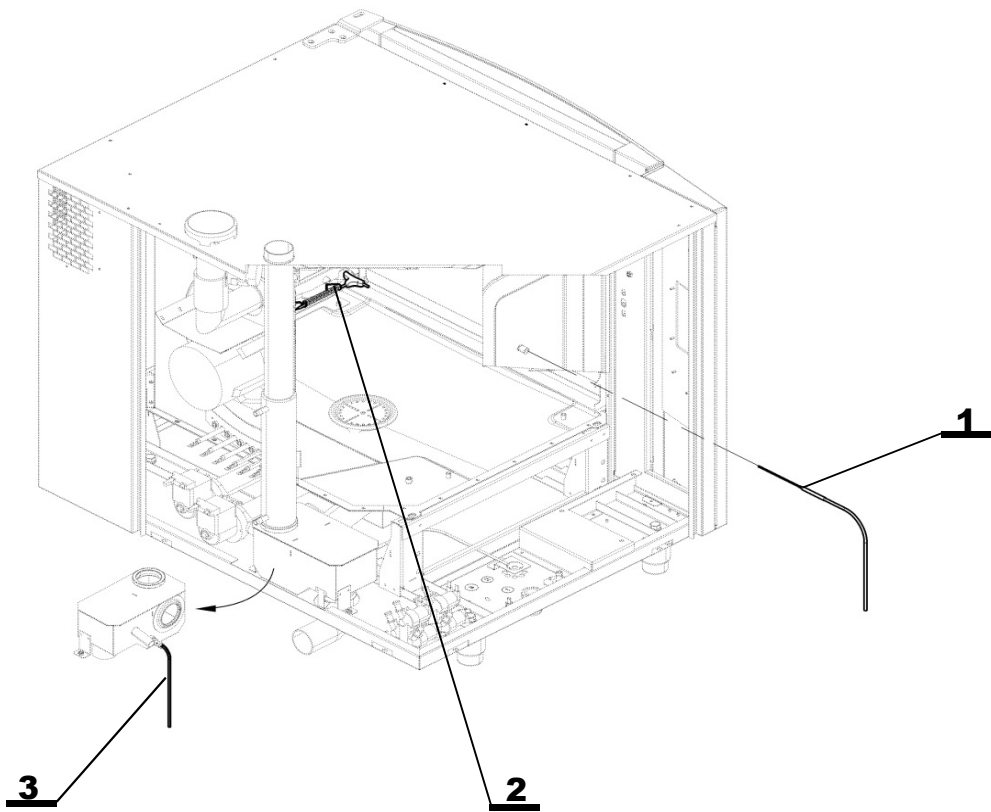


Position	Code	Name	DM5
1	EA14-0080	POWER SUPPLY BOARD VISION -R04.1	•
2	EA13-0008	TRANSFORMER TRONIC 17V	•
3	EA02-0203	SOLID STATE RELAY SOB965660	•
4	EA02-0203	SOLID STATE RELAY SOB965660	•
5	EA03-0016	CIRCUIT BREAKER	•
6	EA02-0004	CONTACTOR (LC1D25P7)	•
7	EA13-0109	SUPPRESSOR	•
8	EA13-0400	FREQUENCY CONVERTER	•
9	ZA21-0007	FAN SUNNON	•
10	EA13-0011	TOROIDAL TRANSFORMER 230V/11,5V	•
11	EA04-0011	THERMAL FUSE BOILER 140 °C	•
12	EA04-0012	THERM. FUSE FOR SPACE 360°C	•
13	EA13-0057	SUPPRESSION COMPONENT FC611	•
14	EA16-0041	RESISTOR VW3TR342150RJ	•
15	EA01-0015	DOOR SWITCH 623, 611, 1011	•

Note:

7+8+14	EA13-0402	KIT RETIGO VISION	•
--------	-----------	-------------------	---

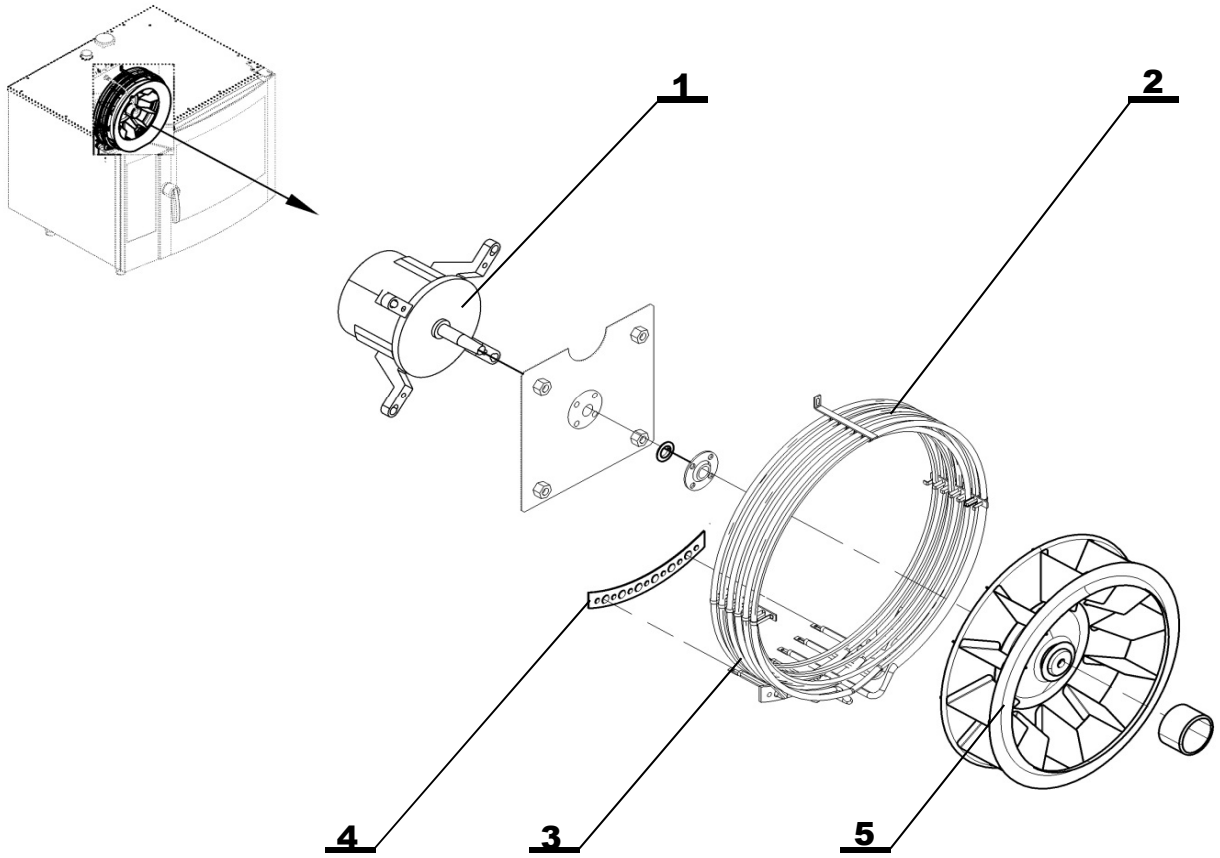
## TEMPERATURE SENSORS



Position	Code	Name	DM5
1	EA10-0103	COOKING CHAMBER AND STEAM TEMP. SENSOR	•
2	EA10-0113	CORE PROBE (meat probe) - Blue - 4 point 623, 611, 1011	•
3	EA10-0104	DRAIN and BOILER TEMP. SENSOR 623, 611, 1011, 1221	•

Note:

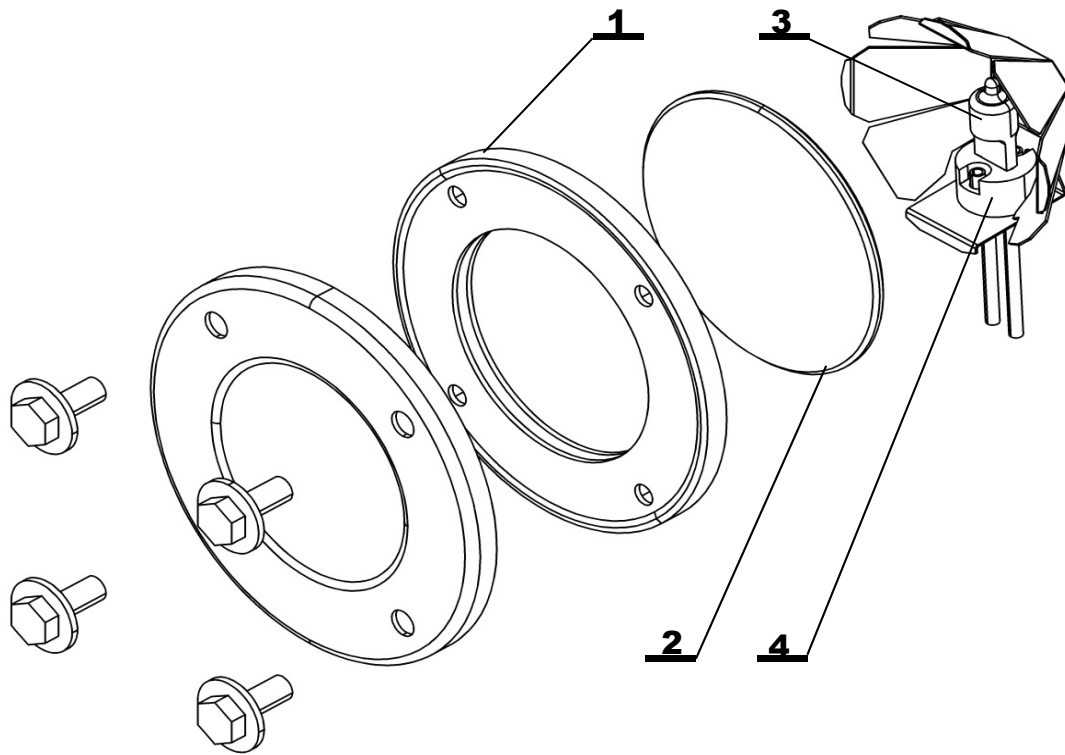
## MOTOR - VENTILATOR - HEATING



Position	Code	Nane	DM5
1	EA11-0014	MOTOR HANNING L9 EB30	•
2	AX00-0006	MOTOR SEAL	•
3	AX00-0005	HEATING ELEMENT 611 9kW	•
4	AX00-0008	SEAL	•
5	AX09-0007	VENTILATOR FAN DeliMaster	•

Note:

# LIGHT

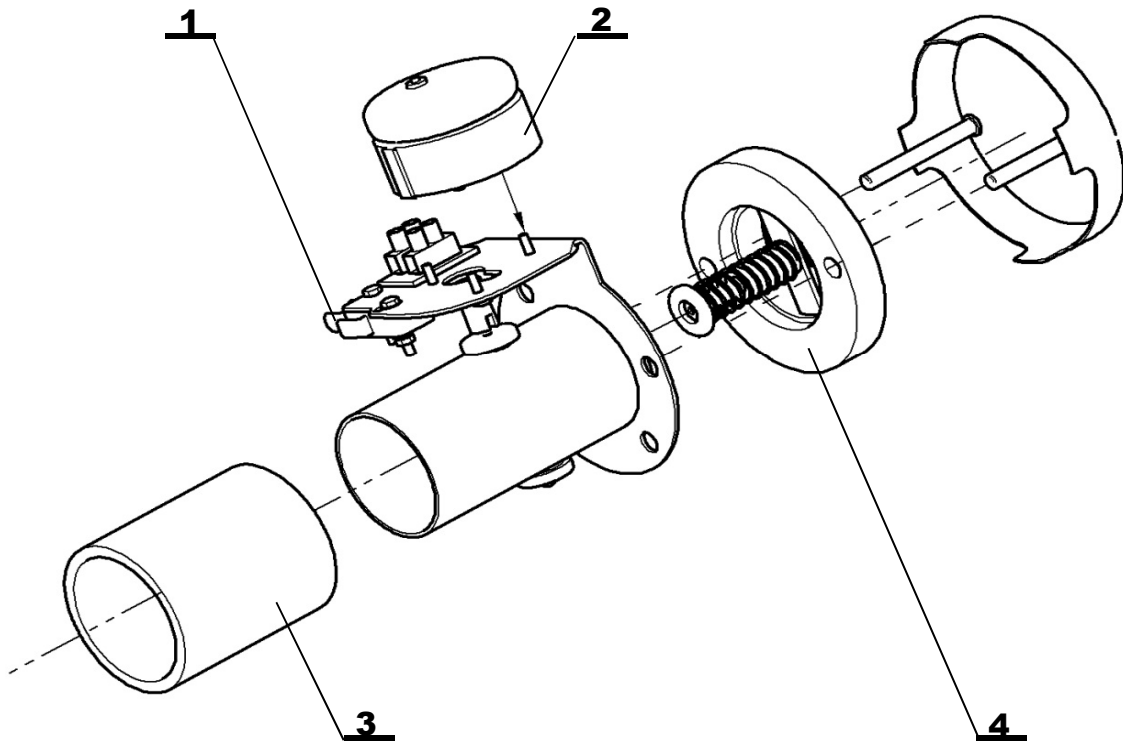


Position	Code	Name	DM5
1	AX07-0005	LIGHT SEAL VISION	•
2	AX07-0004	GLASS PLATE	•
3	EA13-0100	HALOGEN LAMP	•
4	EA13-0101	HALOGEN LAMP BASE	•

Note:



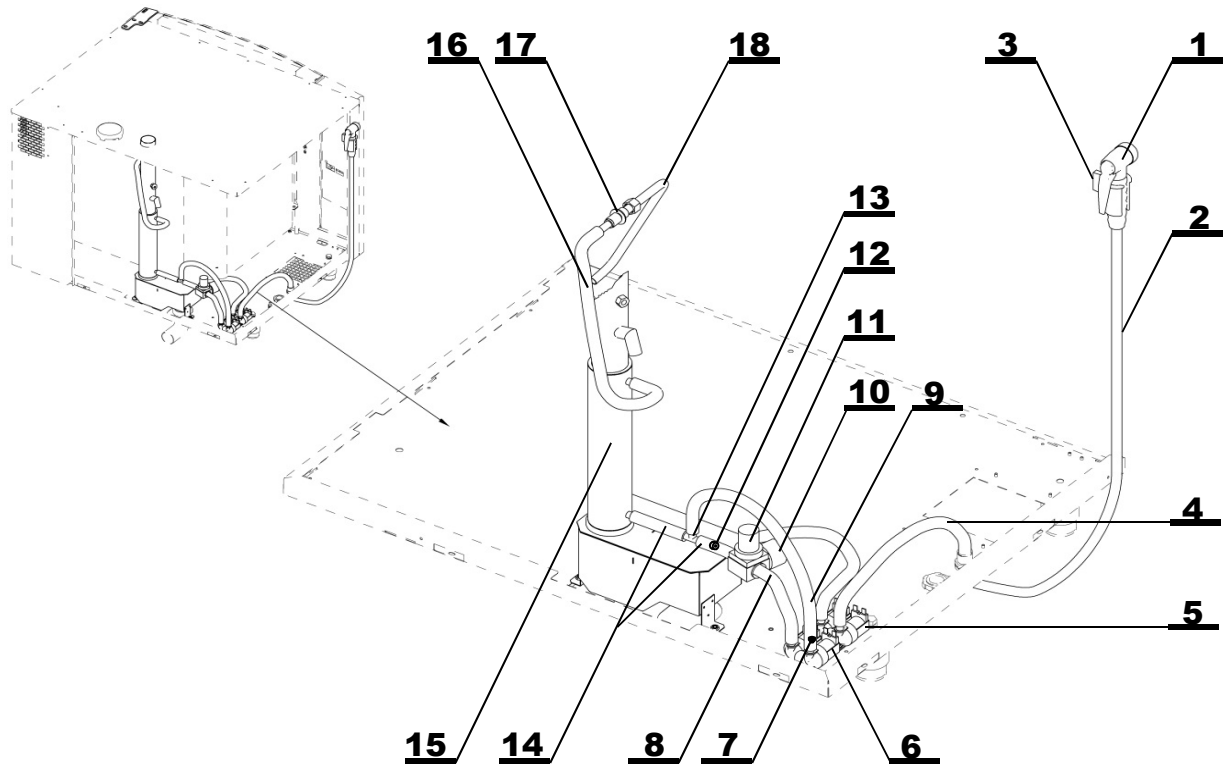
## FLAP VALVE



Position	Code	Name	DM5
1	EA01-0052	MIKROSWITCH (until 1.1.2010)	•
2	EA11-0012	MOTOR + SWITCH (since 1. 1. 2010)	•
2	EA11-0005	MOTOR (until 1.1.2010)	•
3	AT00-0006	FLAP VALVE HOSE DA6	•
4	AC25-0105	PLUG	•
1+2+4	AC25-0100	FLAP VALVE COMPLETE	•

Note:

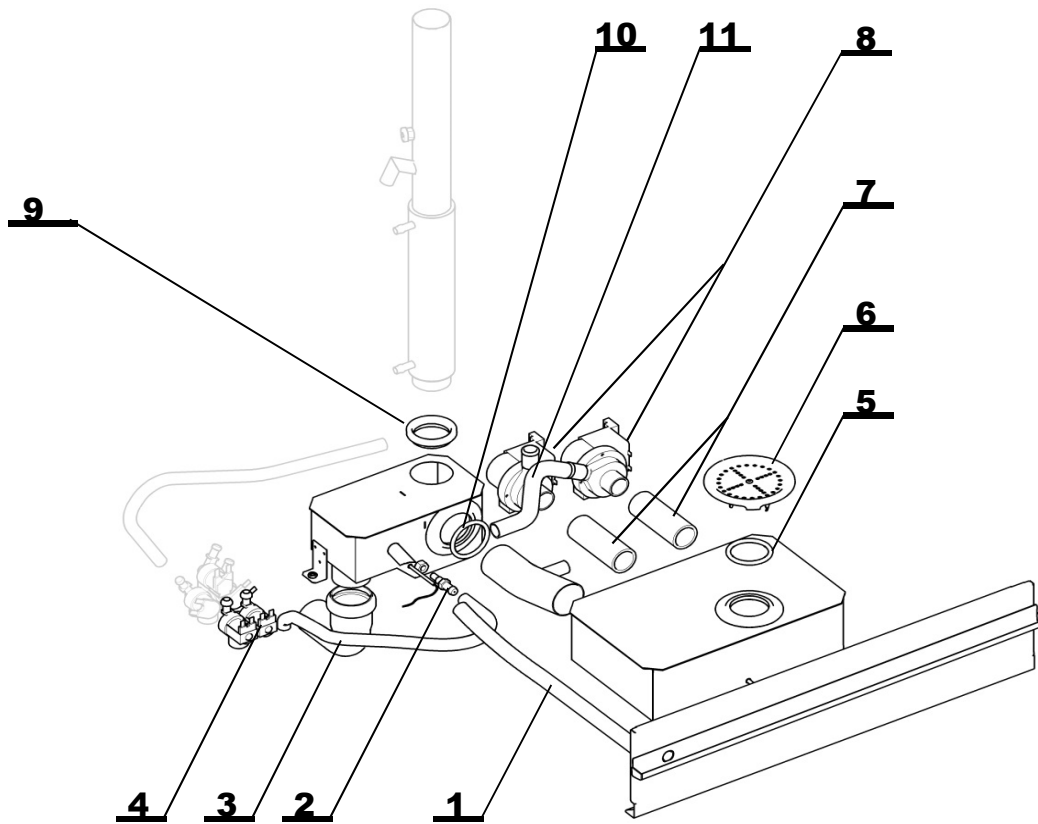
## WATER DISTRIBUTION SYSTEM DM5



Position	Code	Name	DM5
1	ZA15-0100	SHOWER KLARCO	•
2	ZA11-0902	RUBBER HOSE FOR SHOWER 1,6m	•
3	AT00-0002	SHOWER HOLDER KLARCO	•
4	AA26-0100	HOSE 10x3,6 - 440	•
5	EA12-0050	DOUBLE SOLENOID VALVE	•
6	EA12-0050	DOUBLE SOLENOID VALVE	•
6	EA12-0056	TRIPLE SOLENOID VALVE	•
7	EA12-0303	REDUCTION NOZZLE	•
8	AA26-0104	HOSE 10x3,6 - 90	•
9	AA26-0100	HOSE 10x3,6 - 440	•
10	ZA12-0401	MANOMETER 0-1bar, WIKA	•
11	ZA12-0201	WATER REDUCTING VALVE	•
12	AT00-0056	NOZZLE 07	•
13	ZA10-0553	T-FITTING T-TS 10 mm	•
14	AA26-0104	HOSE 10x3,6 - 90	•
15	AC05-2000	CHIMNEY 611 Vision - inject	•
16	AA26-0100	HOSE 10x3,6 - 440	•
17	AC00-2500	BUSHING	•
18	AC12-0700	INJECTION PIPE VISION 611/1011/2011	•

Note:

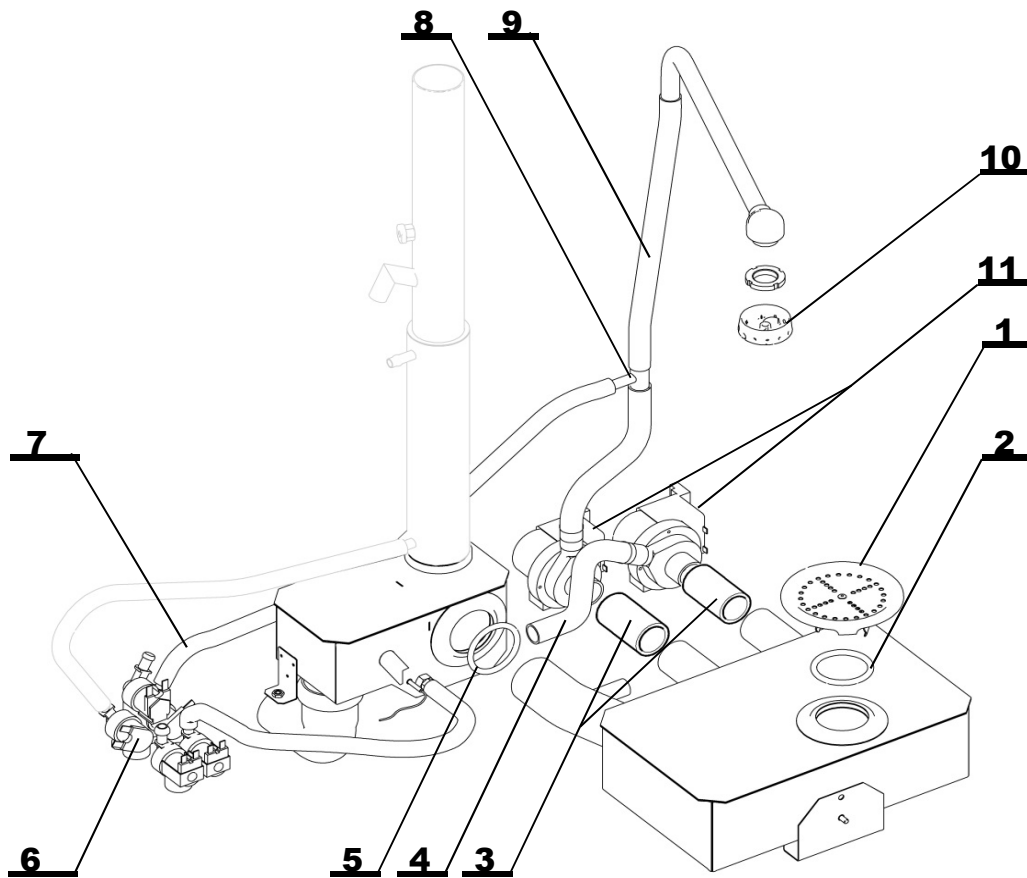
## DRAINAGE SYSTEM - DM 5



Position	Code	Name	DM5
1	AA26-0154	HOSE 16/22 - 600	•
2	AT01-0013	NOZZLE	•
3	AA26-0100	HOSE 10x3,6 - 440	•
4	EA12-0050	DOUBLE SOLENOID VALVE	•
5	ZA13-1549	O-RING	•
6	AC02-2202	DRAIN CAP	•
7	AA00-0030	HOSE 70 mm BLACK	•
8	EA12-0001	PUMP	•
9	AX04-0002	SEAL ø 50	•
10	ZA13-1549	O-RING	•
11	AA26-0153	HOSE 16/22 - 200	•

Note:

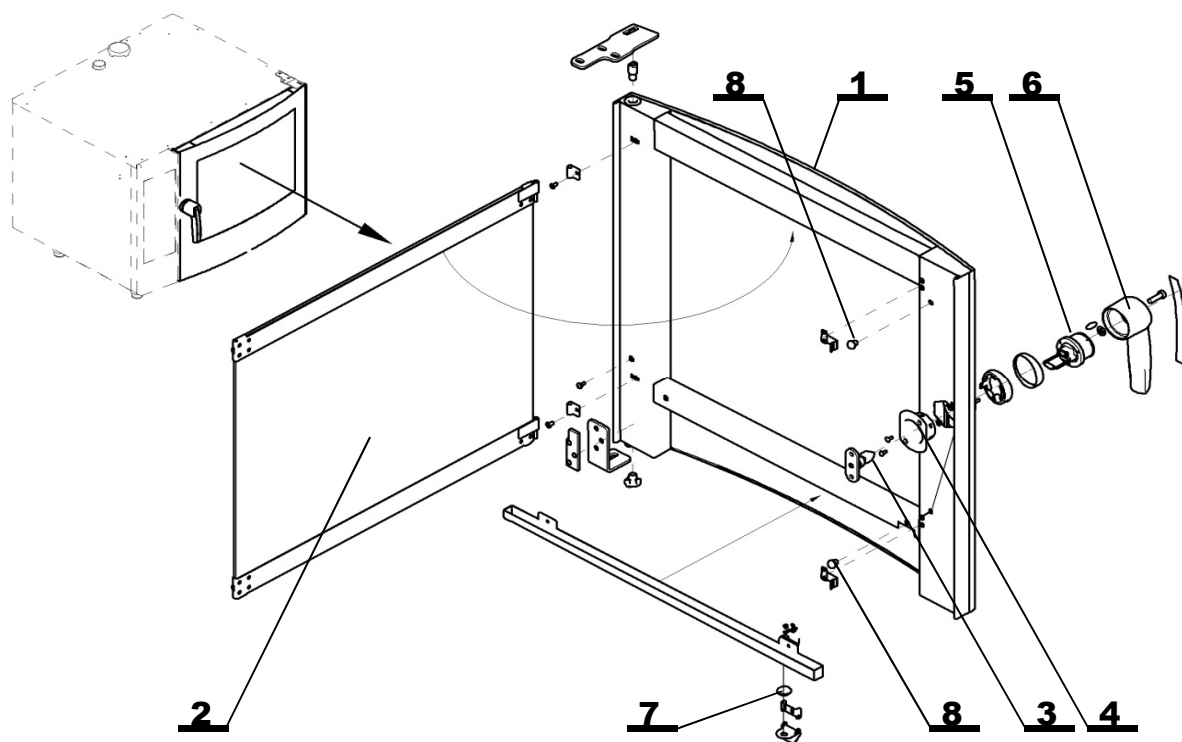
## AUTOMATIC CLEANING SYSTEM



Position	Code	Name	DM5
1	AC02-2202	DRAIN CAP	•
2	ZA13-1549	O-RING	•
3	AA00-0030	HOSE 70 mm BLACK	•
4	AA26-0153	HOSE 16/22 - 200	•
5	ZA13-1549	O-RING	•
6	EA12-0056	TRIPLE SOLENOID VALVE	•
7	AA26-0103	HOSE 10x3,6 - 730	•
8	AC32-0400	T-FITTING	•
9	AA26-0152	HOSE 16/22 - 360	•
10	AT32-0052	CLEANING NOZZLE	•
11	EA12-0001	PUMP	•

Note:

## DOOR

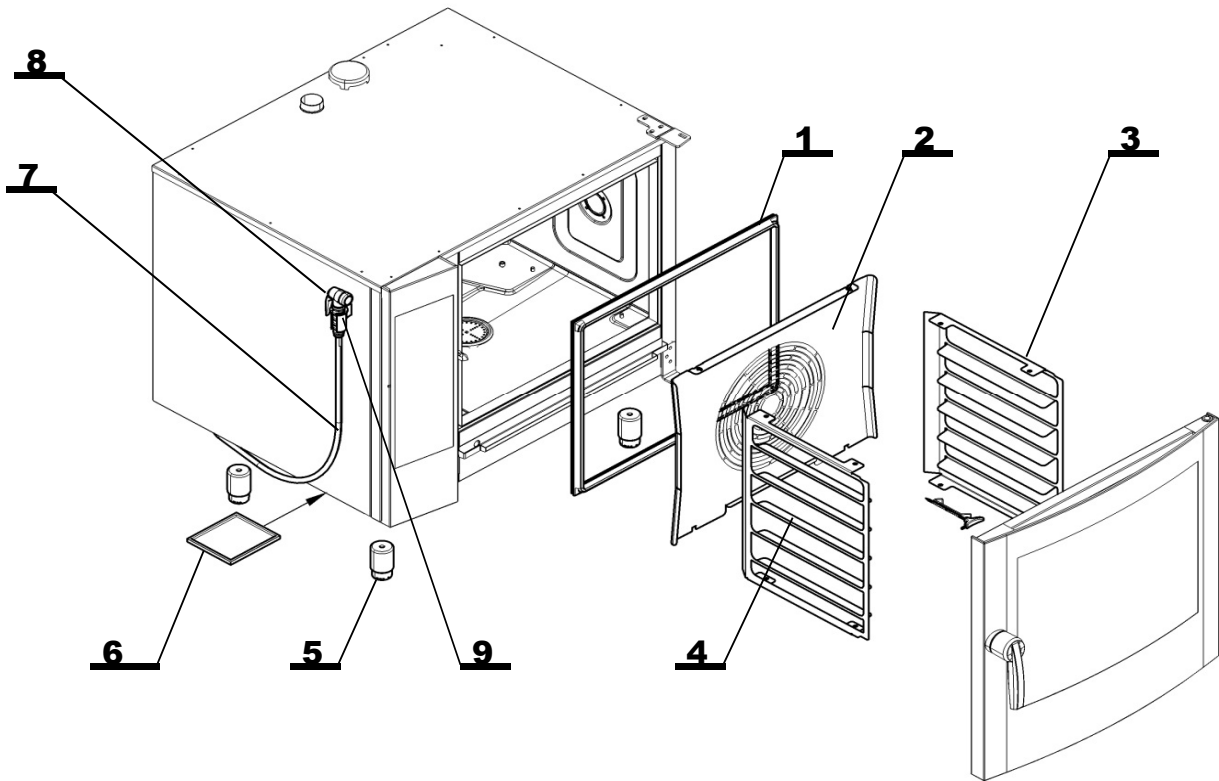


Position	Code	Name	DM5
1	AC03-3100	DOOR 6 - 07 VISION COMPLETE	•
2	AC03-3102	INNER GLASS 6 - 07 VISION	•
3	ZA20-0902	LATCH KL-J	•
4	AX08-0020	BOX	•
5	ZA20-0901	DOOR MECHANISM 6303-020501	•
6	AX08-0021	HANDLE VISION	•
7	ZA13-0516	STOPPER 10 GUZU	•
8	AX03-0076	WINDOW STOP	•

Note:

1a	AC03-3300	DOOR 6 - 07 VISION COMPLETE LEFT	•
2a	AC03-3305	INNER GLASS 6 - 07 VISION LEFT	•
3a	ZA20-0903	LATCH KL-D - two steps opening	•
5+6	AC08-0700	HANDLE 623,611,1011 Vision	•

## ACCESSORIES



Position	Code	Name	DM5
1	AX00-0035	DOOR SEAL 6 VISION	•
2	AC14-3100	INNER WALL DM - 5	•
3	AC19-2800	RACK RIGHT DM - 5	•
4	AP18-0030	RACK LEFT DM 5	•
5	AA00-0026	FOOT 6, 10	•
6	ZA17-0010	AIR FILTER VISION	•
7	ZA11-0902	RUBBER HOSE FOR SHOWER 1,6m	•
8	ZA15-0100	SHOWER KLARCO	•
9	AT00-0002	SHOWER HOLDER KLARCO	•

Note:





retigo<sup>®</sup>  
*Deli Master*

RETIGO s.r.o.  
Láň 2310, PS43  
756 64 Rožnov pod Radhoštěm  
email: [service@retigo.com](mailto:service@retigo.com)  
tel.: +420 571 665 511

