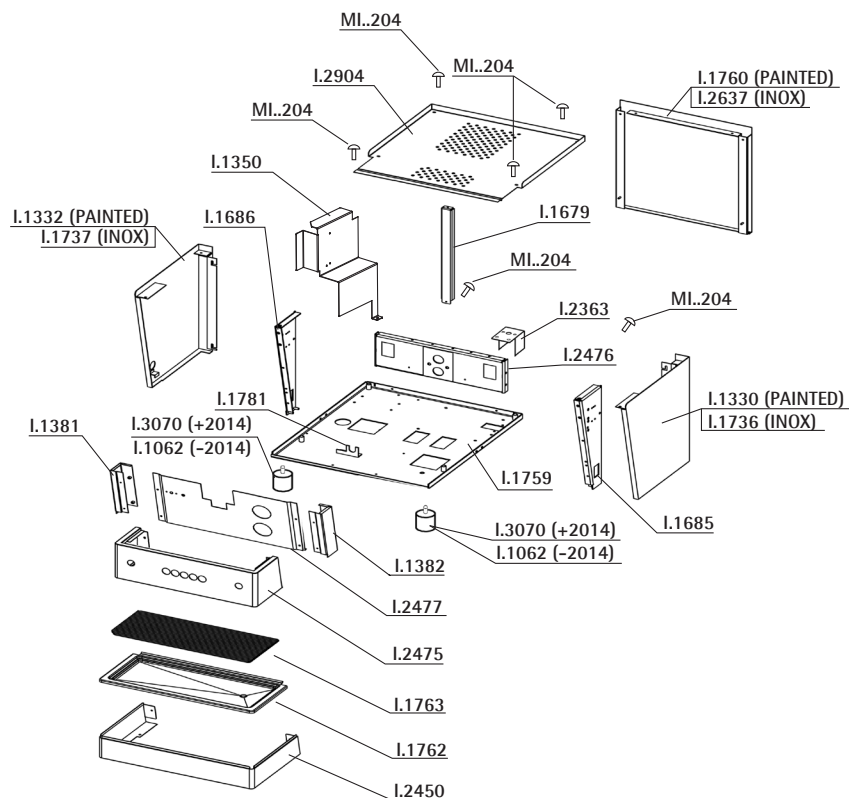




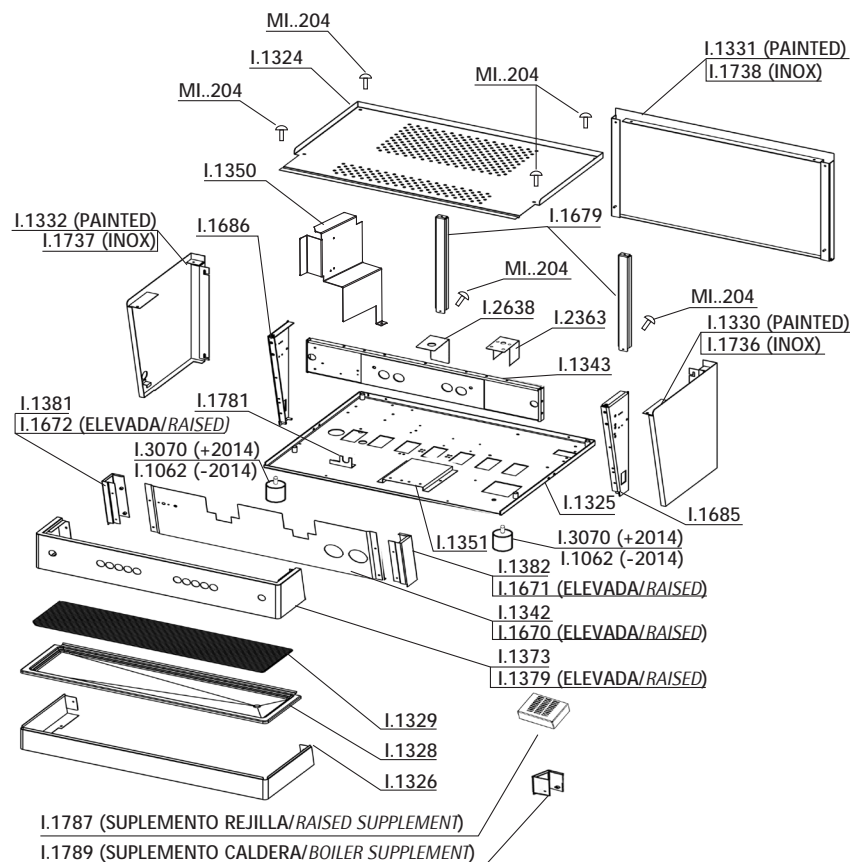
Barista

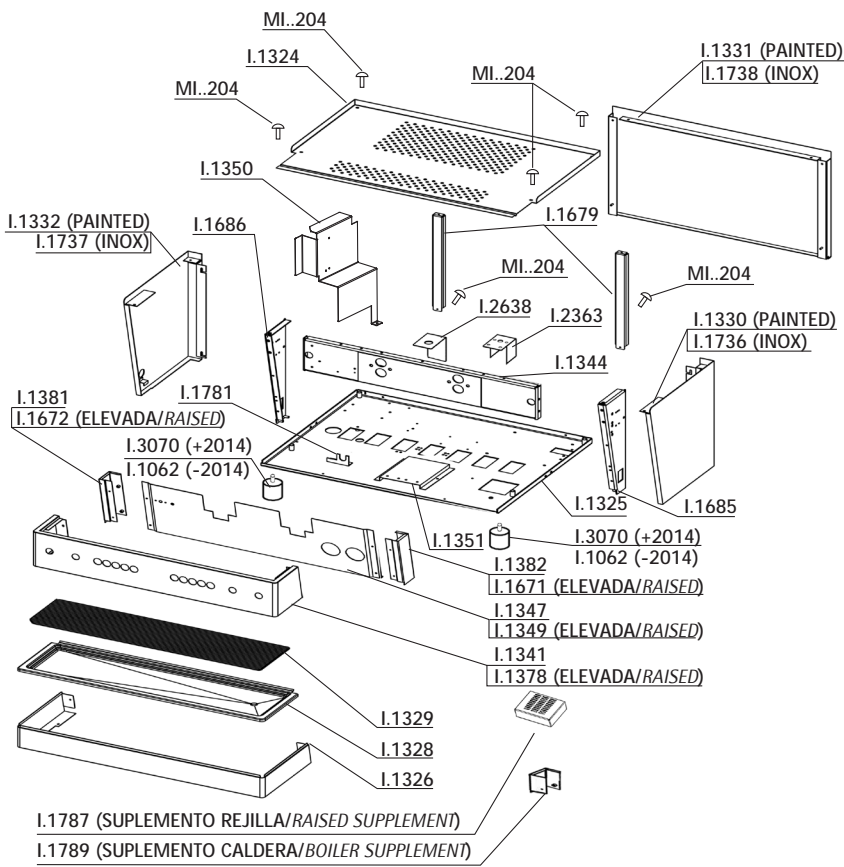
Before 2018

REF.	DESCRIPCIÓN	DESCRIPTION
I.1062	PIE (-2014)	FOOT (-2014)
I.1330	TAPA LATERAL DERECHA B. PINTADA	B. RIGHT LATERAL LID PAINTED
I.1332	TAPA LATERAL IZQUIERDA B. PINTADA	B. LEFT LATERAL LID PAINTED
I.1350	SOPORTE CENTRALITA BARISTA	BARISTA CONTROL BOARD SUPPORT
I.1381	EMBELLECEDOR LATERAL IZQUIERDO	SUPPORT LID LEFT
I.1382	EMBELLECEDOR LATERAL DERECHO	SUPPORT LID RIGHT
I.1679	COLUMNA BASE	BASE COLUMNE
I.1685	MONTANTE DERECHO	RIGHT STUD
I.1686	MONTANTE IZQUIERDO	LEFT STUD
I.1759	BASE BARISTA 1GR	BARISTA 1GR BASE
I.1760	TAPA TRASERA BARISTA 1GR PINTADA	BARISTA 1GR REAR LID PAINTED
I.1762	BANDEJA DESAGÜE 1GR INOX	1GR INOX DRAIN TRAY
I.1763	REJILLA BANDEJA 1GR INOX	1GR INOX DRAIN GRID
I.1781	SOPORTE DISTRIBUIDOR AGUA BARISTA	B.WATER DISTRIBUTOR SUPPLEMENT
I.1736	TAPA LATERAL DERECHA BARISTA INOX	BARISTA RIGHT LATERAL LID INOX
I.1737	TAPA LATERAL IZQUIERDA BARISTA INOX	BARISTA LEFT LATERAL LID INOX
I.2363	PROTECCION TERMOSTATO CALDERA	BOILER THERMOSTAT PROTECTION
I.2450	MARCO BASE BARISTA 1GR	BARISTA 1GR BASE FRAME
I.2475	CARATULA 1GR BARISTA	BARISTA 1GR FRONT
I.2476	SOPORTE GRUPO BARISTA 1GR	BARISTA 1GR GROUP SUPPORT
I.2477	FRONTAL INTERMEDIO BARISTA 1GR	BARISTA 1GR INTERMEDIATE FRONT
I.2637	TAPA TRASERA BARISTA 1GR INOX	BARISTA 1GR REAR LID INOX
I.2904	TAPA SUPERIOR BARISTA 1GR	BARISTA 1GR REAR LID INOX
I.3070	PIE INOX D60 (+2014)	INOX FOOT D60 (+2014)
MI.204	TORNILLO M4x10 INOX	M4x10 INOX SCREW

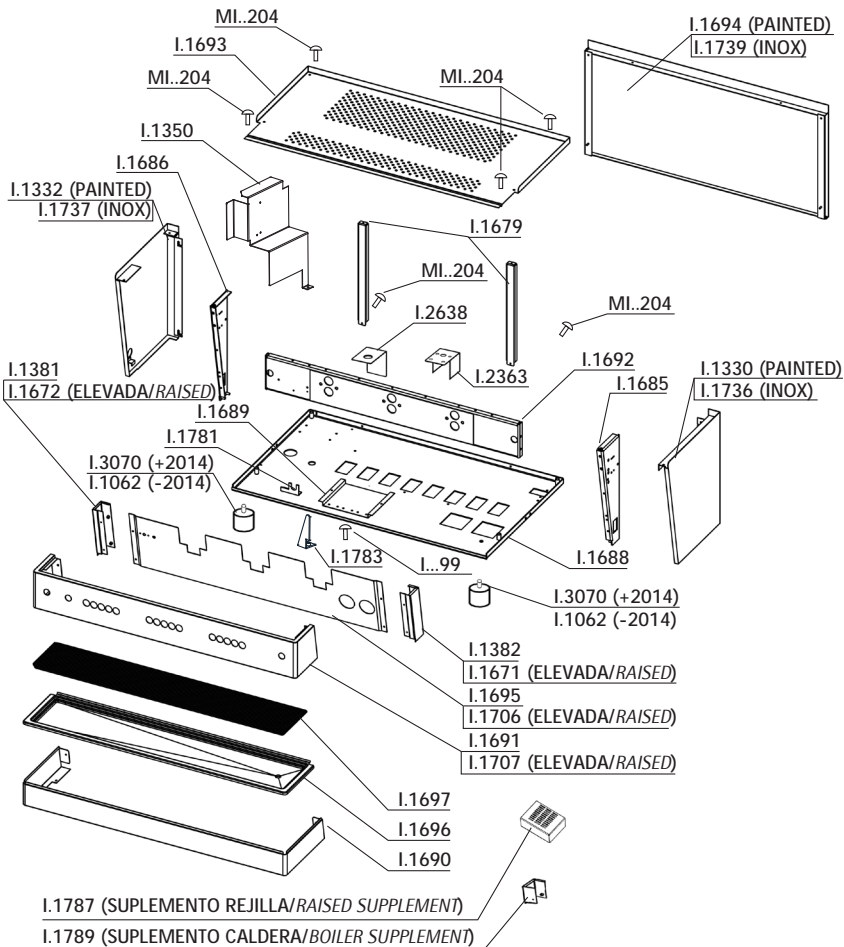


REF.	DESCRIPCIÓN	DESCRIPTION
I.1062	PIE (-2014)	FOOT (-2014)
I.1324	TAPA SUPERIOR BAR	BAR UPPER LID
I.1325	BASE BAR	BAR BASE
I.1326	MARCO BASE BAR	BAR BASE FRAME
I.1328	BANDEJA DESAGÜE 2GR INOX	2GR INOX DRAIN TRAY
I.1329	REJILLA BANDEJA 2GR INOX	2GR INOX DRAIN GRID
I.1330	TAPA LATERAL DERECHA B. PINTADA	B. RIGHT LATERAL LID PAINTED
I.1331	TAPA TRASERA 2GR BARISTA PINTADA	BARISTA 2GR REAR LID PAINTED
I.1332	TAPA LATERAL IZQUIERDA B. PINTADA	B. LEFT LATERAL LID PAINTED
I.1342	FRONTAL INTERMEDIO BARISTA	BARISTA INTERMEDIATE FRONT
I.1343	SOPORTE GRUPOS 2GR BARISTA	BARISTA 2GR GROUPS SUPPORT
I.1350	SOPORTE CENTRALITA BARISTA	BARISTA CONTROL BOARD SUPPORT
I.1351	SOPORTE CONTADORES VOLUMETRICO	FLOWMETER SUPPORT
I.1373	CARATULA 2GR BARISTA	BARISTA PRO 2GR FRONT
I.1379	CARATULA BARISTA 2GR RAISED	RAISED 2GR BARISTA FRONT
I.1381	EMBELLECEDOR LATERAL IZQUIERDO	SUPPORT LID LEFT
I.1382	EMBELLECEDOR LATERAL DERECHO	SUPPORT LID RIGHT
I.1670	FRONTAL INTERMEDIO BARISTA RAISED	BARISTA RAISED INTERMEDIATE
I.1671	EMB. LATERAL DERECHO RAISED	SUPPORT LID RIGHT RAISED
I.1672	EMB. LATERAL IZQUIERDO RAISED	SUPPORT LID LEFT RAISED
I.1679	COLUMNA BASE	BASE COLUMNE
I.1685	MONTANTE DERECHO	RIGHT STUD
I.1686	MONTANTE IZQUIERDO	LEFT STUD
I.1736	TAPA LATERAL DERECHA BARISTA INOX	BARISTA RIGHT LATERAL LID INOX
I.1737	TAPA LATERAL IZQUIERDA BARISTA INOX	BARISTA LEFT LATERAL LID INOX
I.1738	TAPA TRASERA 2GR BARISTA INOX	BARISTA 2GR REAR LID INOX
I.1781	SOPORTE DISTRIBUIDOR AGUA BARISTA	B.WATER DISTRIBUTOR SUPPLEMENT
I.1787	SUPLEMENTO REJILLA RAISED	RAISED GRID SUPPLEMENT
I.1789	SUPLEMENTO CALDERA BARISTA RAISED	RAISED B. BOILER SUPPLEMENT
I.2363	PROTECCION TERMOSTATO CALDERA	BOILER THERMOSTAT PROTECTION
I.2638	SOPORTE PRESOSTATO BARISTA	PRESSURE SWITCH SUPPORT BARISTA
I.3070	PIE INOX D60 (+2014)	INOX FOOT D60 (+2014)
MI.204	TORNILLO M4x10 INOX	M4x10 INOX SCREW





REF.	DESCRIPCIÓN	DESCRIPTION
I.1062	PIE (-2014)	FOOT (-2014)
I.1324	TAPA SUPERIOR BAR	BAR UPPER LID
I.1325	BASE BAR	BAR BASE
I.1326	MARCO BASE BAR	BAR BASE FRAME
I.1328	BANDEJA DESAGÜE 2GR INOX	2GR INOX DRAIN TRAY
I.1329	REJILLA BANDEJA 2GR INOX	2GR INOX DRAIN GRID
I.1330	TAPA LATERAL DERECHA B. PINTADA	B. RIGHT LATERAL LID PAINTED
I.1331	TAPA TRASERA 2GR BARISTA PINTADA	BARISTA 2GR REAR LID PAINTED
I.1332	TAPA LATERAL IZQUIERDA B. PINTADA	B. LEFT LATERAL LID PAINTED
I.1341	CARATULA BARISTA 2GR PRO	BARISTA PRO 2GR FRONT
I.1344	SOPORTE GRUPOS BARISTA PRO 2GR	BARISTA PRO 2GR GROUPS SUPPORT
I.1347	FRONTAL INTERMEDIO BARISTA PRO	BARISTA PRO INTERMEDIATE FRONT
I.1349	FRONTAL INTERMEDIO B. PRO RAISED	BARISTA PRO RAISED INTERMEDIATE
I.1350	SOPORTE CENTRALITA BARISTA	BARISTA CONTROL BOARD SUPPORT
I.1351	SOPORTE CONTADORES VOLUMETRICO	FLOWMETER SUPPORT
I.1378	CARATULA BARISTA PRO 2GR RAISED	RAISED 2GR BARISTA PRO FRONT
I.1381	EMBELLECEDOR LATERAL IZQUIERDO	SUPPORT LID LEFT
I.1382	EMBELLECEDOR LATERAL DERECHO	SUPPORT LID RIGHT
I.1671	EMB. LATERAL DERECHO RAISED	SUPPORT LID RIGHT RAISED
I.1672	EMB. LATERAL IZQUIERDO RAISED	SUPPORT LID LEFT RAISED
I.1679	COLUMNA BASE	BASE COLUMNNE
I.1685	MONTANTE DERECHO	RIGHT STUD
I.1686	MONTANTE IZQUIERDO	LEFT STUD
I.1736	TAPA LATERAL DERECHA BARISTA INOX	BARISTA RIGHT LATERAL LID INOX
I.1737	TAPA LATERAL IZQUIERDA BARISTA INOX	BARISTA LEFT LATERAL LID INOX
I.1738	TAPA TRASERA 2GR BARISTA INOX	BARISTA 2GR REAR LID INOX
I.1781	SOPORTE DISTRIBUIDOR AGUA BARISTA	B. WATER DISTRIBUTOR SUPPLEMENT
I.1787	SUPLEMENTO REJILLA RAISED	RAISED GRID SUPPLEMENT
I.1789	SUPLEMENTO CALDERA BARISTA RAISED	RAISED BARISTA BOILER SUPPLEMENT
I.2363	PROTECCIÓN TERMOSTATO CALDERA	BOILER THERMOSTAT PROTECTION
I.2638	SOPORTE PRESOSTATO BARISTA	PRESSURE SWITCH SUPPORT BARISTA
I.3070	PIE INOX D60 (+2014)	INOX FOOT D60 (+2014)
MI.204	TORNILLO M4x10 INOX	M4x10 INOX SCREW



REF.	DESCRIPCIÓN	DESCRIPTION
I...99	TORNILLO M3x8 INOX	M3x8 INOX SCREW
I.1062	PIE (-2014)	FOOT (-2014)
I.1330	TAPA LATERAL DERECHA B. PINTADA	B. RIGHT LATERAL LID PAINTED
I.1332	TAPA LATERAL IZQUIERDA B. PINTADA	B. LEFT LATERAL LID PAINTED
I.1350	SOPORTE CENTRALITA BARISTA	BARISTA CONTROL BOARD SUPPORT
I.1381	EMBELLECEDOR LATERAL IZQUIERDO	BARISTA/PRO/ONE/PF LEFT LATERAL
I.1382	EMBELLECEDOR LATERAL DERECHO B	BARISTA/PRO/ONE/PF RIGHT LATERAL
I.1671	EMB. LATERAL DERECHO RAISED	SUPPORT LID RIGHT RAISED
I.1672	EMB. LATERAL IZQUIERDO RAISED	SUPPORT LID LEFT RAISED
I.1679	COLUMNA BASE	BASE COLUMNNE
I.1685	MONTANTE DERECHO	RIGHT STUD
I.1686	MONTANTE IZQUIERDO	LEFT STUD
I.1688	BASE 3GR	3GR BASE
I.1689	SOPORTE CONTADOR VOLUMETRICO 3GR	3GR FLOWMETER COUNTER SUPPORT
I.1690	MARCO BASE 3GR	3GR BASE FRAME
I.1691	CARATULA BARISTA PRO 3GR	3GR PRO BARISTA FRONT
I.1692	SOPORTE GRUPOS BARISTA PRO 3GR	3GR BARISTA PRO GROUPS SUPPORT
I.1693	TAPA SUPERIOR 3GR	3GR UPPER LID
I.1694	TAPA TRASERA BARISTA 3GR PINTADA	3GR BARISTA REAR LID PAINTED
I.1695	FRONTAL INTERMEDIO BARISTA PRO	3GR BARISTA PRO INTERMEDIATE FRONT
I.1696	BANDEJA INOX 3GR	3GR INOX TRAY
I.1697	REJILLA BANDEJA 3GR INOX	INOX 3GR TRAY GRID
I.1706	FRONTAL INTERMEDIO RAISED	RAISED 3GR BARISTA PRO INTERMEDIATE
I.1707	CARATULA BARISTA PRO 3GR RAISED	RAISED 3GR BARISTA PRO MEMBRANE
I.1736	TAPA LATERAL DERECHA BARISTA INOX	BARISTA RIGHT LATERAL LID INOX
I.1737	TAPA LATERAL IZQUIERDA BARISTA INOX	BARISTA LEFT LATERAL LID INOX
I.1739	TAPA TRASERA 3GR BARISTA INOX	BARISTA 3GR REAR LID INOX
I.1781	SOPORTE DISTRIBUIDOR AGUA BARISTA	BARISTA WATER DISTRIBUTOR SUPPORT
I.1783	REFUERZO MARCO BARISTA 3GR	REINFORCEMENT BARISTA 3GR
I.1787	SUPLEMENTO REJILLA RAISED	RAISED GRID SUPPLEMENT
I.1789	SUPLEMENTO CALDERA BARISTA RAISED	RAISED BARISTA BOILER SUPPLEMENT
I.2363	PROTECCION TERMOSTATO CALDERA	BOILER THERMOSTAT PROTECTION
I.2638	SOPORTE PRESOSTATO BARISTA	PRESSURE SWITCH SUPPORT BARISTA
I.3070	PIE INOX D60 (+2014)	INOX FOOT D60 (-2014)
MI.204	TORNILLO M4x10 INOX	M4x10 INOX SCREW

5

ASCASO

6

ASCASO

Carrocería Barista PRO 1GR (+07/2015) ■ Barista PRO 1GR Bodywork (+07/2015)

REF.	DESCRIPCIÓN	DESCRIPTION
I..813	TORNILLO DIN 965 M4 X 10 INOX	SCREW
I.1350	SOPORTE CENTRALITA BARISTA	ELECTRONIC BOX SUPPORT
I.1679	COLUMNA BASE	BASE COLUMNNE
I.1759	BASE BAR / BARISTA 1GR	BASE BAR / BARISTA 1GR
I.1760	TAPA TRASERA BAR KAP / BARISTA 1GR	LID BACK BAR KAP / BARISTA 1GR
I.1762	BANDEJA DESAGUE BAR KAP / BARISTA 1GR	BAR KAP / BARISTA 1GR TRAY
I.1763	REJILLA AGUA BAR KAP / BARISTA 1GR	DRIP TRAY BAR KAP / BARISTA 1GR
I.1781	SOPORTE DISTRIBUIDOR AGUA BARISTA	SUPPORT DISTR. WATER BARISTA
I.1787	SUPLEMENTO REJILLA RAISED	RAISED GRID SUPPLEMENT
I.1789	SUPL. CALDERA BARISTA RAISED	RAISED BARISTA BOILER SUPPL.
I.2363	PROTECCION TERMOSTATO CALDERA	BOILER THERMOSTAT PROTECTION
I.2450	MARCO BASE BARISTA 1GR	BASIS FRAME BAR BARISTA 1GR
I.2476	SOPORTE GRUPOS BARISTA 1GR PRO	GROUP SUPPORT BARISTA 1 GR PRO
I.2637	TAPA TRASERA BARISTA 1GR. INOX	LID BACK INOX BARISTA 1GR
I.2723	F. INTER. INF. BARISTA 1GR PRO RAISED	DW. INT. FRONT BARISTA 1GR PRO RAISED
I.2726	F. INTERMEDIO SUP. BARISTA 1GR PRO	UP. INT. FRONT BARISTA 1GR PRO
I.2727	F. INTER. SUP. BARISTA 1GR PRO RAISED	UP. INT. FRONT BARISTA 1GR PRO RAISED
I.2741	CARATULA BOTONERA BARISTA 1GR 2015	FRONTAL BARISTA 1GR 2015
I.2747	MONTANTE DERECHO BARISTA	RIGHT SUPPORT BARISTA
I.2748	MONTANTE IZQUIERDO BARISTA	LEFT SUPPORT BARISTA
I.2836	TAPA LATERAL DERECHA BARISTA	RIGHT SIDE LID BARISTA
I.2837	TAPA LATERAL IZQUIERDA BARISTA	LEFT SIDE LID BARISTA
I.2904	TAPA SUP. BARISTA 1GR BARANDILLA	UPPER LID BARISTA 1GR
I.2921	F. INTERMEDIO INF. BARISTA 1GR PRO	DW. INT. FRONT BARISTA 1GR PRO
I.3016	EMBELLECEDOR DERECHO BARISTA	RIGHT TRIM - BARISTA
I.3017	EMBELLECEDOR IZQUIERDO BARISTA	LEFT TRIM - BARISTA
I.3047	BARANDILLA BARISTA 1GR	RAILING BARISTA 1GR
I.3070	PIE INOX D60	INOX FOOT D60
I.3071	SOPORTE MANOMETRO DOBLE BARISTA	DOUBLE MANOMETER SUP. BARISTA
I.3307	TAPA LAT. DERECHA BARISTA INOX 2015	RIGHT SIDE LID BARISTA INOX 2015
I.3308	TAPA LAT. IZQUIERDA BARISTA INOX 2015	LEFT SIDE LID BARISTA INOX 2015
MI.204	TORNILLO M4x10 INOX	M4x10 INOX SCREW

I.1787 (SUPLEMENTO REJILLA RAISED / RAISED GRID SUPPLEMENT)

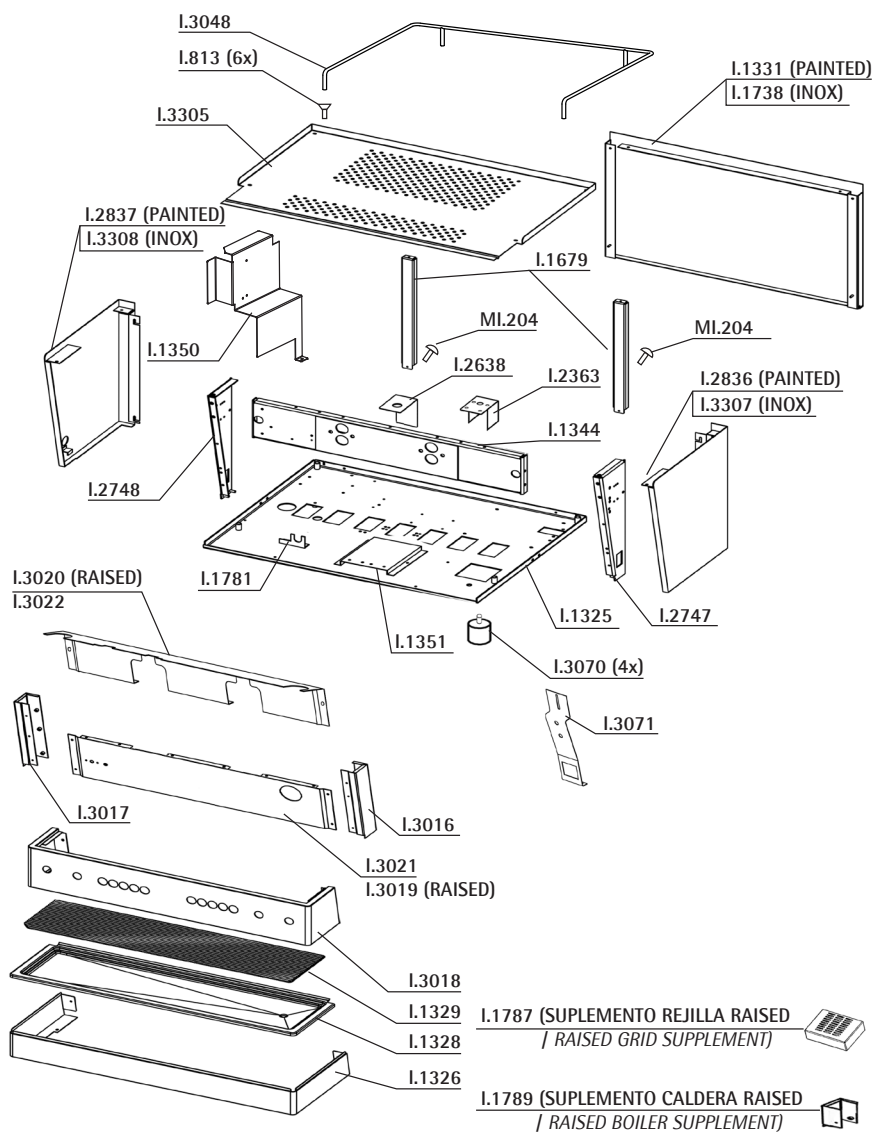
I.1789 (SUPLEMENTO CALDERA RAISED / RAISED BOILER SUPPLEMENT)

Carrocería Barista 2GR (+07/2015) ■ Barista 2GR Bodywork (+07/2015)

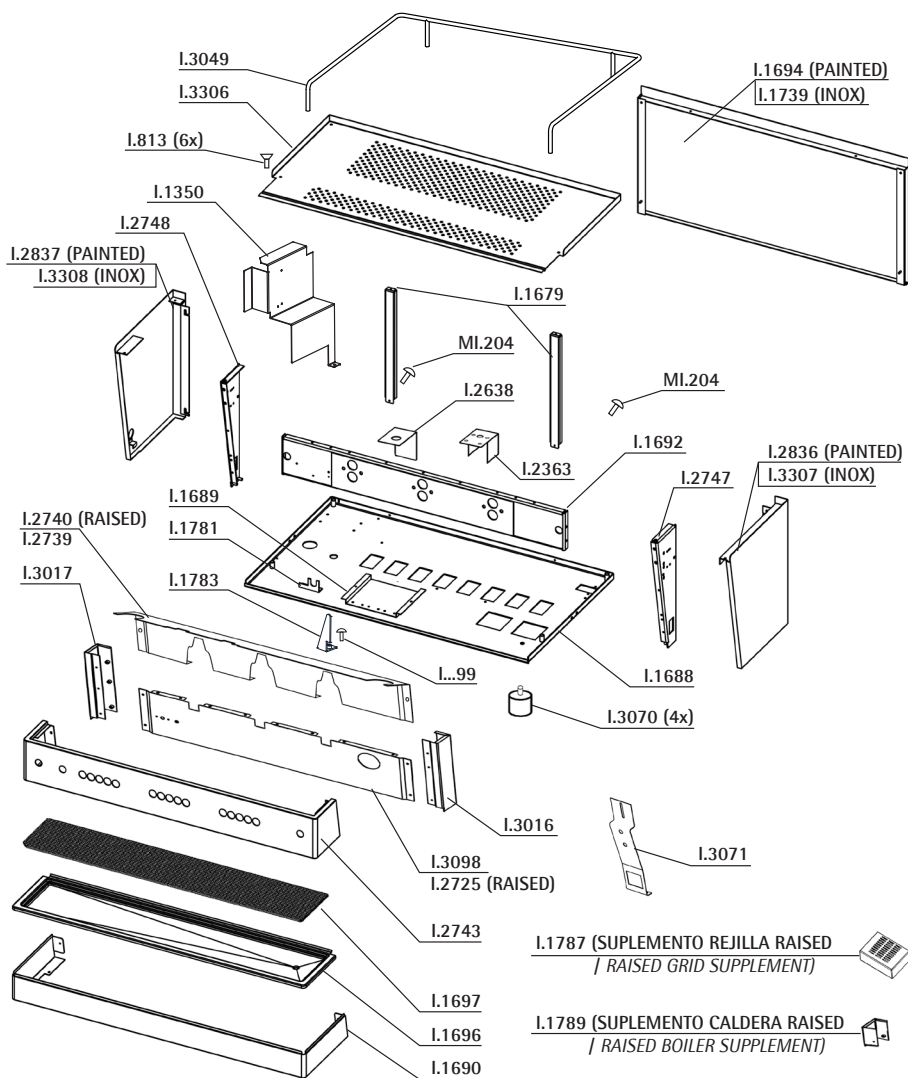
REF.	DESCRIPCIÓN	DESCRIPTION
I..813	TORNILLO DIN 965 M4 X 10 INOX	SCREW
I.1325	BASE BAR / BARISTA 2GR	BASE BAR / BARISTA 2GR
I.1326	MARCO BASE BAR / BARISTA 2GR	BAR / BARISTA 2GR BASE SUPPORT.
I.1328	BANDEJA DESAGUE 2GR INOX	DRAIN TRAY 2GR
I.1329	REJILLA BANDEJA 2GR INOX	GRILL DRAIN TRAY 2GR
I.1331	TAPA TRASERA 2GR BARISTA	BARISTA BACK LID 2GR
I.1343	SOPORTE GRUPOS 2GR BARISTA	BARISTA 2GR GROUPS SUPPORT
I.1350	SOPORTE CENTRALITA BARISTA	ELECTRONIC BOX SUPPORT
I.1351	SOP. CONTADORES VOLUMETRICOS	FLOWMETER SUPPORT
I.1679	COLUMNA BASE	BASE COLUMNNE
I.1738	TAPA TRASERA INOX 2GR BARISTA	LID BACK INOX 2GR BARISTA
I.1781	SOPORTE DISTRIBUIDOR AGUA BARISTA	SUPPORT DISTR. WATER BARISTA
I.1787	SUPLEMENTO REJILLA RAISED	RAISED GRID SUPPLEMENT
I.1789	SUPL. CALDERA BARISTA RAISED	RAISED BARISTA BOILER SUPPL.
I.2363	PROTECCION TERMOSTATO CALDERA	BOILER THERMOSTAT PROTECTION
I.2638	SOP. PRESOSTATO BARISTA 2GR Y 3GR	PRES. SWITCH SUP. BARISTA 2GR 3GR
I.2724	FRONT. INTER. INF. BARISTA 2GR RAISED	DOWN INT. FRONT BARISTA 2GR RAISED
I.2737	FRONT. INTERMEDIO SUP. BARISTA 2GR	UPPER INT. FRONT BARISTA 2GR
I.2738	FRONT. INTER. SUP. BARISTA 2GR RAISED	UPPER INT. FRONT BARISTA 2GR RAISED
I.2742	CARATULA BOTONERA BARISTA 2GR 2015	FRONTAL BARISTA 2GR 2015
I.2747	MONTANTE DERECHO BARISTA	RIGHT SUPPORT BARISTA
I.2748	MONTANTE IZQUIERDO BARISTA	LEFT SUPPORT BARISTA
I.2836	TAPA LATERAL DERECHA BARISTA	RIGHT SIDE LID BARISTA
I.2837	TAPA LATERAL IZQUIERDA BARISTA	LEFT SIDE LID BARISTA
I.3016	EMBELLECEDOR DERECHO BARISTA	RIGHT TRIM - BARISTA
I.3017	EMBELLECEDOR IZQUIERDO BARISTA	LEFT TRIM - BARISTA
I.3048	BARANDILLA BARISTA 2GR	RAILING BARISTA 2GR
I.3070	PIE INOX D60	INOX FOOT D60
I.3071	SOPORTE MANOMETRO DOBLE BARISTA	DOUBLE MANOMETER SUP. BARISTA
I.3097	FRONT. INTERMEDIO INF. BARISTA 2GR	DOWN INT. FRONT BARISTA 2GR
I.3305	TAPA SUP. BARISTA 2GR BARANDILLA	UPPER LID BARISTA 2GR
I.3307	TAPA LAT. DERECHA BARISTA INOX 2015	RIGHT SIDE LID BARISTA INOX 2015
I.3308	TAPA LAT. IZQUIERDA BARISTA INOX 2015	LEFT SIDE LID BARISTA INOX 2015
MI.204	TORNILLO M4x10 INOX	M4x10 INOX SCREW

I.1787 (SUPLEMENTO REJILLA RAISED / RAISED GRID SUPPLEMENT)

I.1789 (SUPLEMENTO CALDERA RAISED / RAISED BOILER SUPPLEMENT)

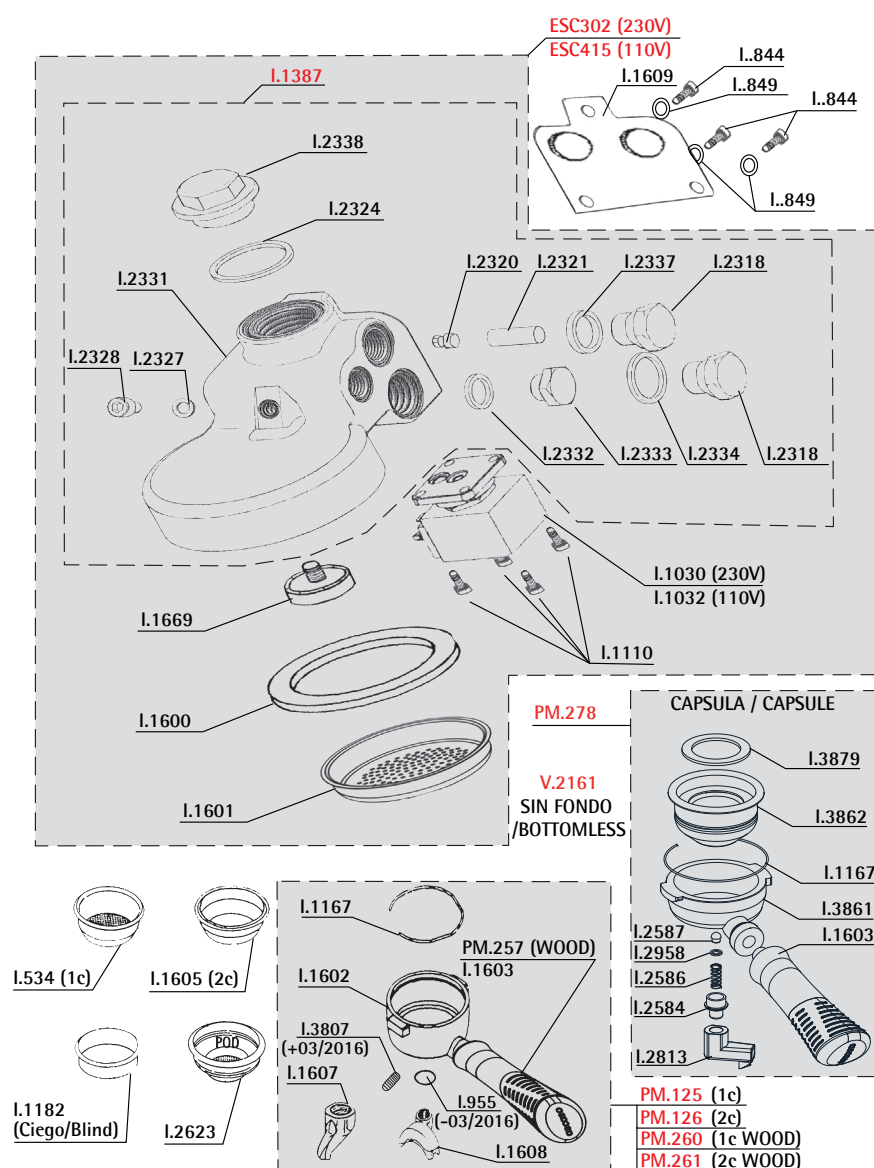


REF.	DESCRIPCIÓN	DESCRIPTION
I..813	TORNILLO DIN 965 M4 X 10 INOX	SCREW
I.1325	BASE BAR / BARISTA 2GR	BASE BAR / BARISTA 2GR
I.1326	MARCO BASE BAR BARISTA 2GR	BAR / BARISTA 2GR BASE SUPPORT
I.1328	BANDEJA DESAGUE 2GR INOX	BAR KAP 1GR TRAY
I.1329	REJILLA BANDEJA 2GR INOX	GRILL DRAIN TRAY 2GR
I.1331	TAPA TRASERA 2GR BARISTA	BARISTA BACK LID 2GR
I.1344	SOPORTE GRUPOS BARISTA 2GR PRO	BARISTA 2GR PRO SUPPORT
I.1350	SOPORTE CENTRALITA BARISTA	ELECTRONIC BOX SUPPORT
I.1351	SOP. CONTADORES VOLUMETRICOS	FLOWMETER SUPPORT
I.1679	COLUMNA BASE	BASE COLUMNE
I.1738	TAPA TRASERA INOX 2GR BARISTA	LID BACK INOX 2GR BARISTA
I.1781	SOPORTE DISTRIBUIDOR AGUA BARISTA	SUPPORT DISTR. WATER BARISTA
I.1787	SUPLEMENTO REJILLA RAISED	RAISED GRID SUPPLEMENT
I.1789	SUPL. CALDERA BARISTA RAISED	RAISED BARISTA BOILER SUPPL.
I.2363	PROTECCION TERMOSTATO CALDERA	BOILER THERMOSTAT PROTECTION
I.2638	SOP. PRESOSTATO BARISTA 2GR Y 3GR	PRES. SWITCH SUP. BARISTA 2GR 3GR
I.2747	MONTANTE DERECHO BARISTA	RIGHT SUPPORT BARISTA
I.2748	MONTANTE IZQUIERDO BARISTA	LEFT SUPPORT BARISTA
I.2836	TAPA LATERAL DERECHA BARISTA	RIGHT SIDE LID BARISTA
I.2837	TAPA LATERAL IZQUIERDA BARISTA	LEFT SIDE LID BARISTA
I.3016	EMBELLECEDOR DERECHO BARISTA	RIGHT TRIM - BARISTA
I.3017	EMBELLECEDOR IZQUIERDO BARISTA	LEFT TRIM - BARISTA
I.3018	CARAT. BOTONERA BARISTA 2GR PRO 2015	FRONTAL BARISTA 2GR PRO 2015
I.3019	F. INTER. INF. BARISTA 2GR PRO RAISED	D. INT. FRONT BARISTA 2GR PRO RAISED
I.3020	F. INTER. SUP. BARISTA 2GR PRO RAISED	UP. INT. FRONT BARISTA 2GR PRO RAISED
I.3022	F. INTERMEDIO SUP. BARISTA 2GR PRO	UP. INT. FRONT BARISTA 2GR PRO
I.3021	F. INTERMEDIO INF. BARISTA 2GR PRO	DW. INT. FRONT BARISTA 2GR PRO
I.3048	BARANDILLA BARISTA 2GR	RAILING BARISTA 2GR
I.3070	PIE INOX D60	INOX FOOT D60
I.3071	SOPORTE MANOMETRO DOBLE BARISTA	DOUBLE MANOMETER SUP. BARISTA
I.3305	TAPA SUP. BARISTA 2GR BARANDILLA	UPPER LID BARISTA 2GR
I.3307	TAPA LAT. DERECHA BARISTA INOX 2015	RIGHT SIDE LID BARISTA INOX 2015
I.3308	TAPA LAT. IZQUIERDA BARISTA INOX 2015	LEFT SIDE LID BARISTA INOX 2015
MI.204	TORNILLO M4x10 INOX	M4x10 INOX SCREW

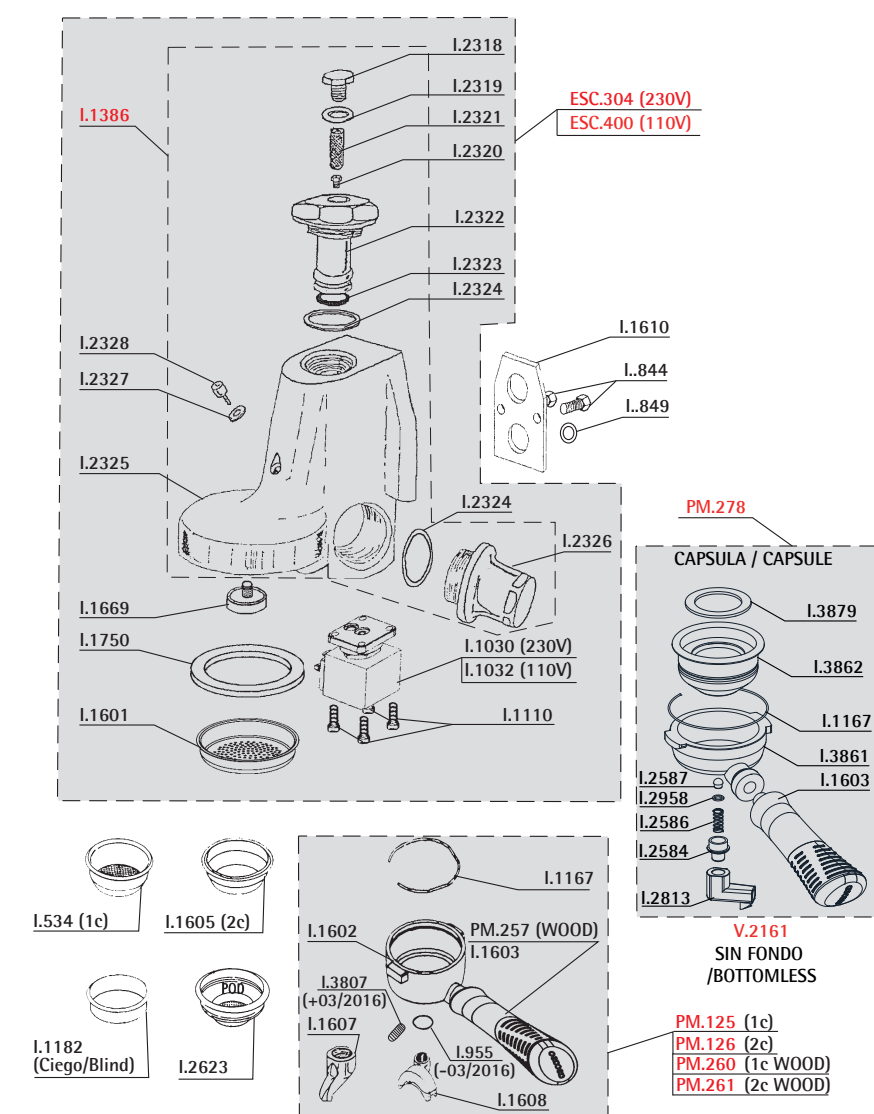


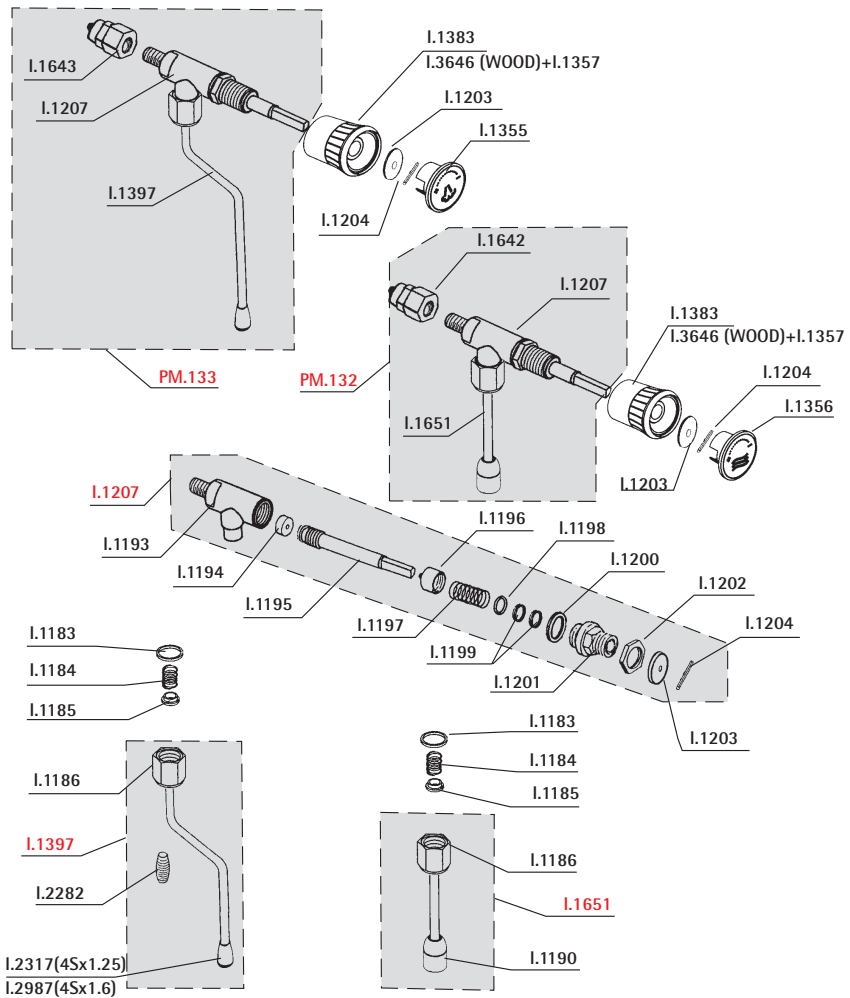
REF.	DESCRIPCIÓN	DESCRIPTION
I...99	TORNILLO DIN 7985 M3x8 INOX A-4	SCREW
I..813	TORNILLO DIN 965 M4 X 10 INOX	SCREW
I.1350	SOPORTE CENTRALITA BARISTA	ELECTRONIC BOX SUPPORT
I.1679	COLUMNA BASE	BASE COLUMNE
I.1688	BASE BARISTA 3GR	BASE BARISTA 3GR
I.1689	SOP. CONTADORES VOLUMETRICOS	FLOWMETER SUPPORT
I.1690	MARCO BASE BARISTA 3GR	BARISTA 3GR BASE SUPPORT
I.1692	SOPORTE GRUPOS BARISTA 3GR PRO	BARISTA 3GR PRO SUPPORT
I.1694	TAPA TRASERA 3GR BARISTA	BARISTA BACK LID 3GR
I.1696	BANDEJA DESAGUE 3GR INOX	DRAIN TRAY 3GR
I.1697	REJILLA BANDEJA 3GR INOX	GRILL DRAIN TRAY 3GR
I.1739	TAPA TRASERA INOX 3GR BARISTA	LID BACK INOX 3GR BARISTA
I.1781	SOPORTE DISTRIBUIDOR AGUA BARISTA	SUPPORT DISTR. WATER BARISTA
I.1783	REFUERZO MARCO BARISTA 3GR	REINFORCEMENT
I.1787	SUPLEMENTO REJILLA RAISED	RAISED GRID SUPPLEMENT
I.1789	SUPL. CALDERA BARISTA RAISED	RAISED BARISTA BOILER SUPPL.
I.2363	PROTECCION TERMOSTATO CALDERA	BOILER THERMOSTAT PROTECTION
I.2638	SOP. PRESOSTATO BARISTA 2GR Y 3GR	PRES. SWITCH SUP. BARISTA 2GR 3GR
I.2739	F. INTERMEDIO SUP. BARISTA 3GR PRO	UP. INT. FRONT BARISTA 3GR PRO
I.2725	F. INTER. INF. BARISTA 3GR PRO RAISED	D. INT. FRONT BARISTA 3GR PRO RAISED
I.2740	F. INTER. SUP. BARISTA 3GR PRO RAISED	UP. INT. FRONT BARISTA 3GR PRO RAISED
I.2743	CARAT. BOTONERA BARISTA 3GR PRO 2015	FRONTAL BARISTA 3GR PRO 2015
I.2747	MONTANTE DERECHO BARISTA	RIGHT SUPPORT BARISTA
I.2748	MONTANTE IZQUIERDO BARISTA	LEFT SUPPORT BARISTA
I.2836	TAPA LATERAL DERECHA BARISTA	RIGHT SIDE LID BARISTA
I.2837	TAPA LATERAL IZQUIERDA BARISTA	LEFT SIDE LID BARISTA
I.3016	EMBELLECEDOR DERECHO BARISTA	RIGHT TRIM - BARISTA
I.3017	EMBELLECEDOR IZQUIERDO BARISTA	LEFT TRIM - BARISTA
I.3049	BARANDILLA BARISTA 3GR	RAILING BARISTA 3GR
I.3070	PIE INOX D60	INOX FOOT D60
I.3071	SOPORTE MANOMETRO DOBLE BARISTA	DOUBLE MANOMETER SUP. BARISTA
I.3098	F. INTERMEDIO INF. BARISTA 3GR PRO	DW. INT. FRONT BARISTA 3GR PRO
I.3306	TAPA SUP. BARISTA 3GR BARANDILLA	UPPER LID BARISTA 3GR
I.3307	TAPA LAT. DERECHA BARISTA INOX 2015	RIGHT SIDE LID BARISTA INOX 2015
I.3308	TAPA LAT. IZQUIERDA BARISTA INOX 2015	LEFT SIDE LID BARISTA INOX 2015
MI.204	TORNILLO M4x10 INOX	M4x10 INOX SCREW

REF.	DESCRIPCIÓN	DESCRIPTION
ESC302	GRUPO CAFE BARISTA 230V	230V BARISTA COFFEE GROUP
ESC415	GRUPO CAFE BARISTA 110V	110V BARISTA COFFEE GROUP
I..534	FILTRO 1 CAFE	1 COFFEE FILTER
I..844	TORNILLO ALLEN M8X10 INOX	M8X10 INOX SCREW
I..849	ARANDELA DENTADA M8	M8 WASHER
I..955	TORICA SALIDA CAFE PROF.	PROF COFFEE SPOUT RING
I.1030	ELECTROVALVULA GRUPO PROF. C 230V	GROUP PROF. SOLENOID 230V
I.1032	ELECTROVALVULA GRUPO PROF. C 110V	GROUP PROF. SOLENOID 110V
I.1110	TORNILLO ALLEN M4X10	ALLEN SCREW M4X10
I.1167	MUELLE PORTAFILTRO	FILTERHOLDER SPRING
I.1182	CACILLO CIEGO PROF	PROF BLIND FILTER
I.1387	GRUPO CAFE BARISTA	BARISTA COFFEE GROUP
I.1600	JUNTA PORTAFILTROS 8mm	8mm FILTERHOLDER GASKET
I.1601	DUCHA DOBLE BARISTA	BARISTA DOUBLE SHOWER
I.1602	CUERPO PORTAFILTRO M12 INCLINADO	M12 FILTERHOLDER BODY
I.1603	MANGO PORTAFILTRO BARISTA	FILTERHOLDER HANDLE
I.1605	FILTRO 2 CAFE	2 COFFEE FILTER
I.1607	SALIDA CAFE BARISTA 1 VIA	1 WAY BARISTA COFFEE OUTLET
I.1608	SALIDA CAFE BARISTA 2 VIAS	2 WAYS BARISTA COFFEE OUTLET
I.1609	JUNTA GRUPO BARISTA	BARISTA GROUP GASKET
I.1669	DIFUSOR GRUPO	GROUP DIFFUSER
I.2318	TAPON	CAP
I.2320	INYECTOR 0,7 GRUPO BARISTA	BARISTA INJECTOR
I.2321	FILTRO MALLA GRUPO BARISTA	BARISTA GROUP FILTER
I.2324	JUNTA TEFLON 35x30x2mm GRUPO	TEFLON GASKET GROUP 35x30x2
I.2327	JUNTA TEFLON 10X6X1mm GRUPO	TEFLON GASKET GROUP 10X6X1
I.2328	TORNILLO 6x8mm INOX GRUPO	SCREW INOX GROUP
I.2331	CUERPO GRUPO BARISTA	BARISTA GROUP BODY
I.2332	JUNTA TEFLON 18x13,5x2mm GRUPO	BARISTA GROUP TEFLON GASKET
I.2333	TAPON 1/4 GRUPO BARISTA	BARISTA GROUP 1/4 CAP
I.2334	JUNTA TEFLON 26x21x2mm GRUPO	TEFLON GASKET GROUP 26x21x2
I.2335	TAPON INFUSOR GRUPO BARISTA	BARISTA GROUP INFUSER CAP
I.2337	JUNTA TEFLON 22x17x3mm GRUPO B	TEFLON GASKET 22x17x3
I.2338	TAPON SUPERIOR GRUPO BARISTA	BARISTA GROUP UPPER CAP
I.2584	CIERRE S.CREMA KAP	EXTRA CREAM STOP KAP
I.2586	MUELLE S.CREMA BAR KAP	BAR KAP S.CREAM SPRING
I.2587	VALVULA S.CREMA KAP	KAP S.CREAM VALVE
I.2623	CACILLO PASTILLA 1 CAFE	1 CUP POD FILTER
I.2813	SALIDA CAFE KAP/BAR KAP	COFFEE EXIT KAP/BAR KAP
I.2958	ARANDELA APOYO	WASHER
I.3807	ESPARRAGO ALLEN DIN 914 INOX M4x4	SCREW DIN 914 M4x4 INOX
I.3861	PORTAFILTRO M12 INCLINADO CAPSULA	FILTERHOLDER M12 CAPSULE
I.3862	ADAP. CAPSULA FAP PORTA BARISTA	ADAPFAP CAPSULE HOLDER BARISTA
I.3879	JUNTA PORTA CAPSULAS 36x50x2	SILICONE WASHER
PM.125	PORTAFILTRO BARISTA 1 CAFE	1 COFFEE BARISTA FILTERHOLDER
PM.126	PORTAFILTRO BARISTA 2 CAFES	2 COFFEES BARISTA FILTERHOLDER
PM.257	MANGO MADERA BARISTA COMPLETO	SET HANDLE WOOD BARISTA
PM.260	PORTAFILTRO MADERA 1 CAFE	1 COFFEE WOOD FILTERHOLDER
PM.261	PORTAFILTRO MADERA 2 CAFES	2 COFFEES WOOD FILTERHOLDER
PM.278	PORTAFILTRO COMPLETO CAPSULA	FILTERHOLDER CAPSULE
V.2161	PORTAFILTRO SIN FONDO	BOTTOMLESS FILTERHOLDER

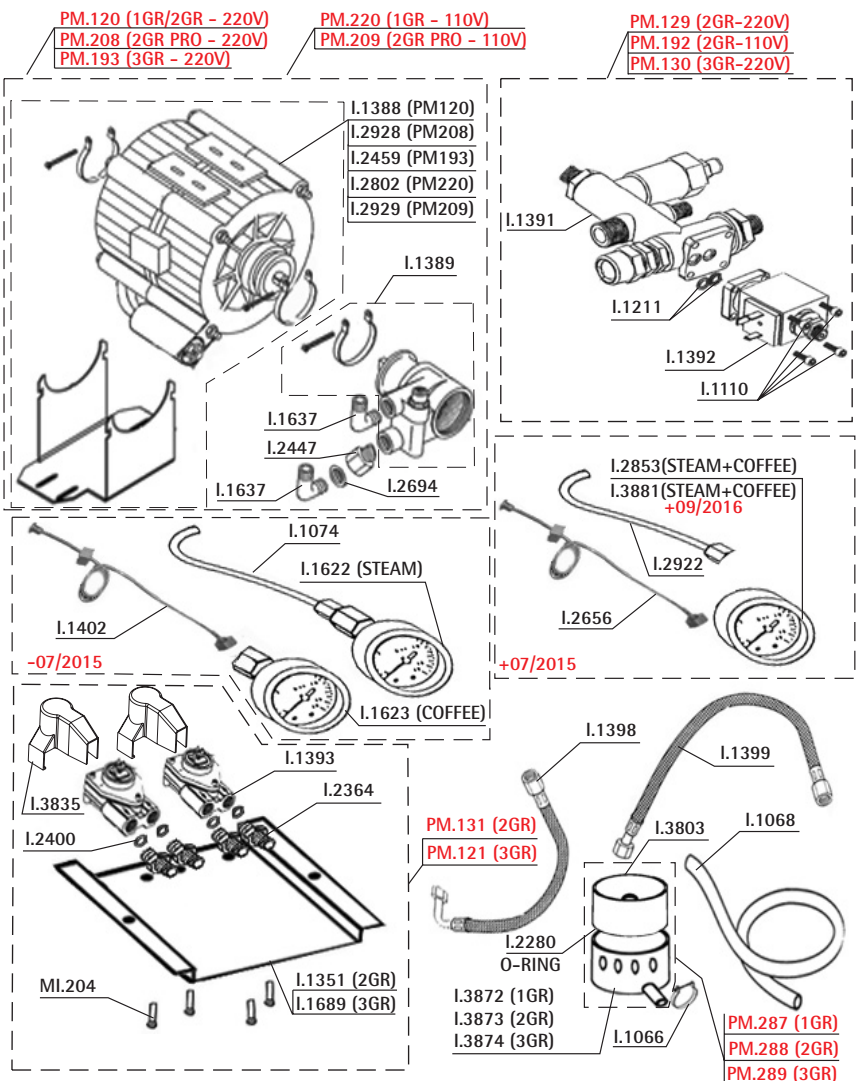


REF.	DESCRIPCIÓN	DESCRIPTION
ESC304	GRUPO CAFE BARISTA PRO 230V	230V BARISTA PRO COFFEE GROUP
ESC400	GRUPO CAFE BARISTA PRO 1100V	110V BARISTA PRO COFFEE GROUP
I..534	FILTRO 1 CAFE	1 COFFEE FILTER
I..844	TORNILLO ALLEN M8X10 INOX	M8X10 INOX SCREW
I..849	ARANDELA DENTADA M8	M8 WASHER
I..955	TORICA SALIDA CAFE PROF.	PROF COFFEE SPOUT RING
I.1030	ELECTROVALVULA GRUPO PROF. C 230V	GROUP PROF. SOLENOID 230V
I.1110	TORNILLO ALLEN M4X10	ALLEN SCREW M4X10
I.1167	MUELLE PORTAFILTRO	FILTERHOLDER SPRING
I.1182	CACILLO CIEGO PROF	PROF BLIND FILTER
I.1386	GRUPO CAFE BARISTA PRO NIQUEL	BARISTA PRO COFFEE GROUP
I.1601	DUCHA DOBLE BARISTA	BARISTA DOUBLE SHOWER
I.1602	CUERPO PORTAFILTRO M12 INCLINADO	M12 FILTERHOLDER BODY
I.1603	MANGO PORTAFILTRO BARISTA	FILTERHOLDER HANDLE
I.1605	FILTRO 2 CAFES	2 COFFEES FILTER
I.1607	SALIDA CAFE BARISTA 1 VIA	1 WAY BARISTA COFFEE OUTLET
I.1608	SALIDA CAFE BARISTA 2 VIAS	2 WAYS BARISTA COFFEE OUTLET
I.1610	JUNTA GRUPO BARISTA PRO	BARISTA PRO GROUP GASKET
I.1669	DIFUSOR GRUPO	GROUP DIFFUSER
I.1750	JUNTA PORTAFILTRO 8,5mm	8,5mm FILTERHOLDER GASKET
I.2318	TAPON SUPERIOR GRUPO BARISTA PRO	BARISTA PRO GROUP UPPER TAP
I.2319	JUNTA TEFLON 22x17x2mm GRUPO	TEFLÓN GASKET GROUP 22x17x2
I.2320	INYECTOR 0,7 GRUPO BARISTA/BARISTA PRO	GROUP INJECTOR
I.2321	FILTRO MALLA GRUPO BARISTA/BARISTA PRO	GROUP FILTER
I.2322	CANUTO SUPERIOR GRUPO BARISTA PRO	GROUP UPPER TUBE
I.2323	TORICA VITON GRUPO BARISTA PRO	GROUP VITON GASKET
I.2324	JUNTA TEFLON 35x30x2mm GRUPO	TEFLÓN GASKET GROUP 35X30X2
I.2325	CUERPO GRUPO BARISTA PRO	BARISTA PRO GROUP BODY
I.2326	TAPON INFUSOR GRUPO BARISTA PRO	GROUP INFUSER COVE
I.2327	JUNTA TEFLON 10X6X1mm GRUPO	TEFLÓN GASKET GROUP 10x6X1
I.2328	TORNILLO 6x8mm INOX GRUPO	SCREW GROUP INOX
I.2584	CIERRE S.CREMA KAP	EXTRA CREAM STOP KAP
I.2586	MUELLE S.CREMA BAR KAP	BAR KAP S.CREAM SPRING
I.2587	VALVULA S.CREMA KAP	KAP S.CREAM VALVE
I.2623	CACILLO PASTILLA 1 CAFE	1 CUP POD FILTER
I.2813	SALIDA CAFE KAP/BAR KAP	COFFEE EXIT KAP/BAR KAP
I.2958	ARANDELA APOYO	WASHER
I.3807	ESPARRAGO ALLEN DIN 914 INOX M4x4	SCREW DIN 914 M4x4 INOX
I.3861	PORTAFILTRO M12 INCLINADO CAPSULA	FILTERHOLDER M12 CAPSULE
I.3862	ADAP. CAPSULA FAP PORTA BARISTA	ADAPFAP CAPSULE HOLDER BARISTA
I.3879	JUNTA PORTA CAPSULAS 36x50x2	SILICONE WASHER
PM.125	PORTAFILTRO BARISTA 1 CAFE	1 COFFEE BARISTA FILTERHOLDER
PM.126	PORTAFILTRO BARISTA 2 CAFES	2 COFFEES BARISTA FILTERHOLDER
PM.257	MANGO MADERA BARISTA COMPLETO	SET HANDLE WOOD BARISTA
PM.260	PORTAFILTRO MADERA 1 CAFE	1 COFFEE WOOD FILTERHOLDER
PM.261	PORTAFILTRO MADERA 2 CAFES	2 COFFEES WOOD FILTERHOLDER
PM.278	PORTAFILTRO COMPLETO CAPSULA	FILTERHOLDER CAPSULE
V.2161	PORTAFILTRO SIN FONDO	BOTTOMLESS FILTERHOLDER



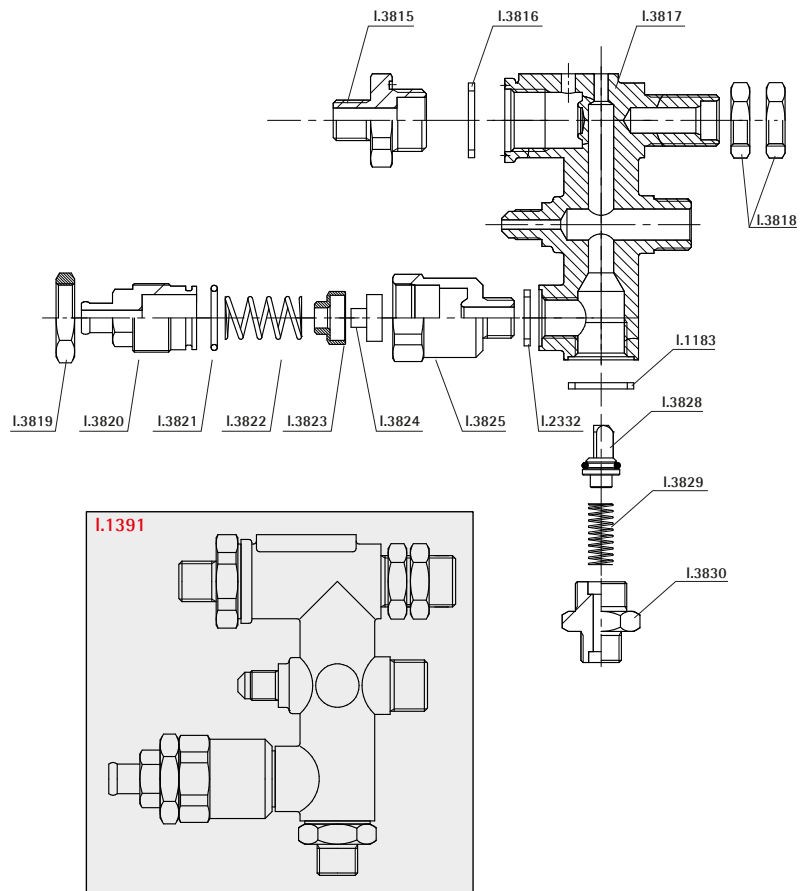


REF.	DESCRIPCIÓN	DESCRIPTION
I.1183	ARANDELA GRIFO AGUA	WATER TAP WASHER
I.1184	MUELLE GRIFO SALIDA VAPOR-AGUA	STEAM-WATER OUTLET TAP SPRING
I.1185	GUIA MUELLE GRIFO AGUA	SPRING GUIDE WATER TAP
I.1186	TUERCA TUBO SALIDA VAPOR-AGUA	STEAM WATER OUTLET PIPE NUT
I.1190	SALIDA GRIFO AGUA	WATER TAP OUTLET
I.1193	CUERPO GRIFO	TAP BODY
I.1194	TACO GRIFO	TAP GASKET
I.1195	EJE GRIFO	TAP ROD
I.1196	ALOJAMIENTO TACO GRIFO	TAP HOLDER LODGING
I.1197	MUELLE EJE GRIFO	TAP ROD SPRING
I.1198	GUIA MUELLE EJE GRIFO	SPRING GUIDE ROD TAP
I.1199	JUNTA EJE GRIFO	ROD TAP GASKET
I.1200	ARANDELA COBRE GRIFO	TAP COPPER WASHER
I.1201	RACORD GRIFO	TAP FITTING
I.1202	TUERCA GRIFO	TAP NUT
I.1203	ARANDELA GRIFO	TAP COPPER
I.1204	PASADOR GRIFO	TAP PIN
I.1207	GRIFO VAPOR-AGUA	STEAM-WATER TAP
I.1355	TAPA POMO VAPOR	STEAM HANDLE LID
I.1356	TAPA POMO AGUA	WATER HANDLE LID
I.1357	INSERTO POMO LATON	BRASS KNOB INSERT
I.1383	POMO GRIFO VAPOR/AGUA BARISTA	BARISTA WATER/STEAM TAP HANDLE
I.1397	TUBO VAPOR INOX ANTICALORICO	BAR/B. ANTICALORIC INOX STEAM PIPE
I.1642	RACORD 6/4 1/4 NIQUEL	INJECTOR FITTING
I.1643	RACORD GRIFO VAPOR NIQUEL	NECKEL STEAM TAP FITTING
I.1651	TUBO AGUA INOX ANTICALORICO	ANTICALORIC INOX WATER PIPE
I.2282	PROTECTOR TUBO VAPOR BARISTA	BARISTA STEAM PIPE PROTECTOR
I.2317	SALIDA TUBO VAPOR 4 AGUJEROS 1.25	BAR/BARISTA 4 HOLES 1.25 STEAM PIPE
I.2987	SALIDA TUBO VAPOR 4 AGUJEROS 1.6	BAR/BARISTA 4 HOLES 1.6 STEAM PIPE
I.3646	POMO GRIFO MADERA BARISTA	TAP HANDLE WOOD BARISTA
PM.132	CONJUNTO GRIFO AGUA BARISTA	BARISTA WATER TAP WHOLE
PM.133	CONJUNTO GRIFO VAPOR BARISTA	BARISTA STEAM TAP WHOLE



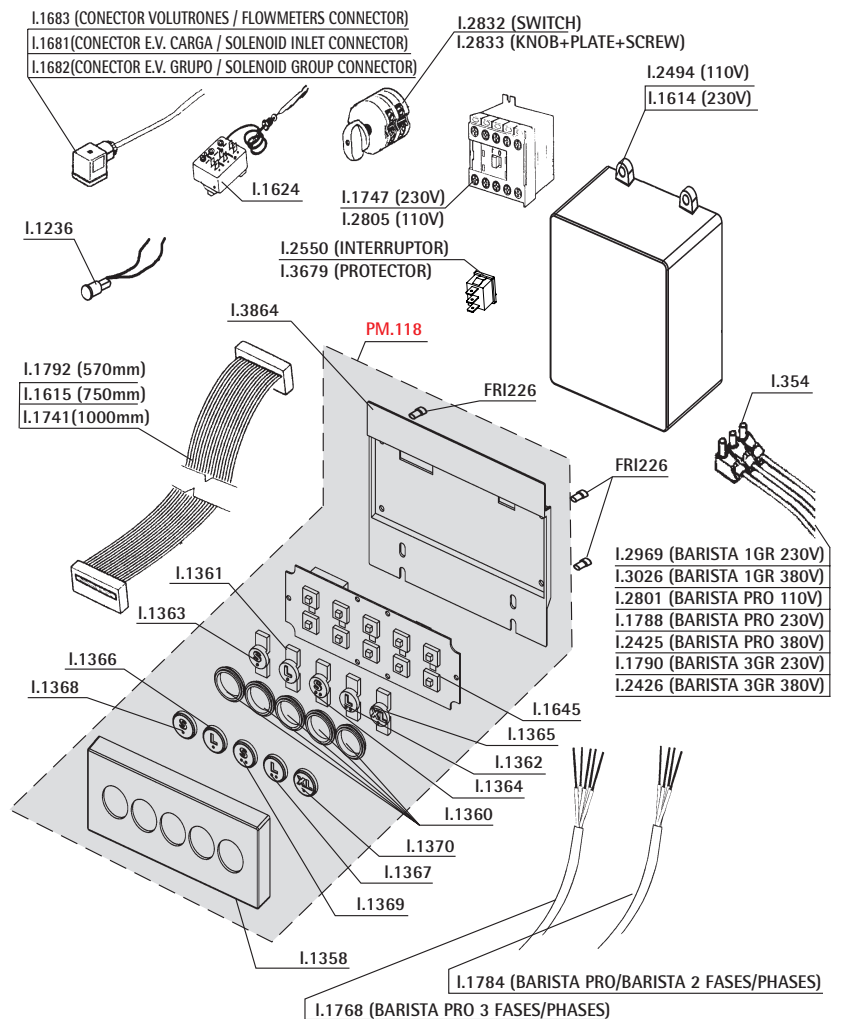
REF.	DESCRIPCIÓN	DESCRIPTION
I.1066	ABRAZADERA D12-22mm	D12-22mm CLAMP
I.1068	TUBO DESAGÜE	OUTLET PIPE
I.1074	TUBO TEFLON 2X4 (500mm)	TEFLON PIPE 2X4 (500mm)
I.1110	TORNILLO M4x10mm INOX	M4x10mm INOX SCREW
I.1211	TORICA ELECTROVALVULA	SOLENOID RING
I.1351	SOPORTE CONTADORES VOL. 2GR	2GR FLOWMETER COUNTER SUPPORT
I.1388	MOTOR 150W 220V	150W 220V MOTOR
I.1389	BOMBA INOX PROCON 200 LTS	200LIT PROCON INOX CLAMP PUMP
I.1391	CONJUNTO VALVULAS NIQUEL	NICKEL VALVES WHOLE
I.1392	ELECTROVALVULA. 2 VIAS D-1.5mm	2 WAY D-1.5mm SOLENOID
I.1393	CONTADOR VOLUMETRIC 1/8	1/8 FLOWMETER COUNTER
I.1398	FLEXIBLE INOX CON CODO 3/8	3/8 WITH ELBOW INOX FLEXO
I.1399	FLEXIBLE ENTRADA AGUA	WATER INLET FLEXO
I.1402	CAPILAR MANOMETRO	MANOMETER HAIR
I.1622	MANOMETRO CALDERA 2.5 BAR	BOILER MANOMETER 2.5 BAR
I.1623	MANOMETRO BOMBA 16 BAR	BOILER MANOMETER 14 BAR
I.1637	RACOR CODO 3/8 BOMBA	PUMP 3/8 ELBOW FITTING
I.1689	SOPORTE CONTADOR VOL. 3GR	3GR FLOWMETER COUNTER SUPPORT
I.2280	JUNTA TORICA 68x2 SILICONA	O-RING 68x2 SILICONA
I.2364	RACOR VOLUTRON	FITTING
I.2400	JUNTA COBRE 1/8	COPPER JOINT 1/8
I.2447	SUPLEMENTO RACOR BOMBA	SEPARATOR PUMP FITTING
I.2459	MOTOR 245W 220V	245W 220V MOTOR
I.2656	TUBO MANOMETRO BOMBA	MANOMETER PIPE
I.2694	FILTRO RACOR	RACOR FILTER
I.2802	MOTOR 150W 110V	150W 110V MOTOR
I.2853	MANOMETRO DOBLE BARISTA	DOUBLE MANOMETER BARISTA
I.2922	TUBO CALDERA MANOMETRO	MANOMETER BOILER PIPE
I.2928	MOTOR 165W 220V	165W 220V MOTOR
I.2929	MOTOR 165W 110V	165W 110V MOTOR
I.3803	SUPLEMENTO CAZOLETA DESAGÜE	SUPPLEMENT DRAIN
I.3872	EMBUDO DESAGÜE BARISTA 1GR	DRAIN OUTLET FUNNEL BARISTA 1GR
I.3873	EMBUDO DESAGÜE BARISTA 2GR	DRAIN OUTLET FUNNEL BARISTA 2GR
I.3874	EMBUDO DESAGÜE BARISTA 3GR	DRAIN OUTLET FUNNEL BARISTA 3GR
I.3881	MANOMETRO DOBLE BARISTA 2016	DOUBLE MANOMETER BARISTA 2016
MI.204	TORNILLO 4x10mm INOX	M4x10mm INOX SCREW
PM.120	CONJ. MOTOR BOMBA 1/2GR 220V	1GR/2GR 220V PUMP MOTOR WHOLE
PM.121	CONJ. SOPORTE VOLUMETRICOS 3GR	3GR FLOWMETERS SUPPORT
PM.129	CONJ. DISTRIB. ENTRADA AGUA 2GR	2GR WATER INLET DISTRIBUTOR
PM.130	CONJ. DISTRIB. ENTRADA AGUA 3GR	3GR WATER INLET DISTRIBUTOR
PM.131	CONJ. SOPORTE VOLUMETRICOS 2GR	2GR FLOWMETER SUPPORT
PM.192	CONJ. DISTRIB. ENTRADA AGUA 2GR 110V	2GR WATER INLET DISTRIBUTOR 110V
PM.193	CONJ. MOTOR BOMBA 3GR 220V	3GR 220V PUMP MOTOR WHOLE
PM.208	CONJ. MOTOR BOMBA 2GR PRO 220V	2GR PRO 220V PUMP MOTOR WHOLE
PM.209	CONJ. MOTOR BOMBA 2GR PRO 110V	2GR PRO 110V PUMP MOTOR WHOLE
PM.220	CONJ. MOTOR BOMBA 1GR 110V	1GR 110V PUMP MOTOR WHOLE
PM.287	CONJUNTO DESAGÜE BARISTA 1GR	DRAIN ASSEMBLY BARISTA 1GR
PM.288	CONJUNTO DESAGÜE BARISTA 2GR	DRAIN ASSEMBLY BARISTA 2GR
PM.289	CONJUNTO DESAGÜE BARISTA 3GR	DRAIN ASSEMBLY BARISTA 3GR

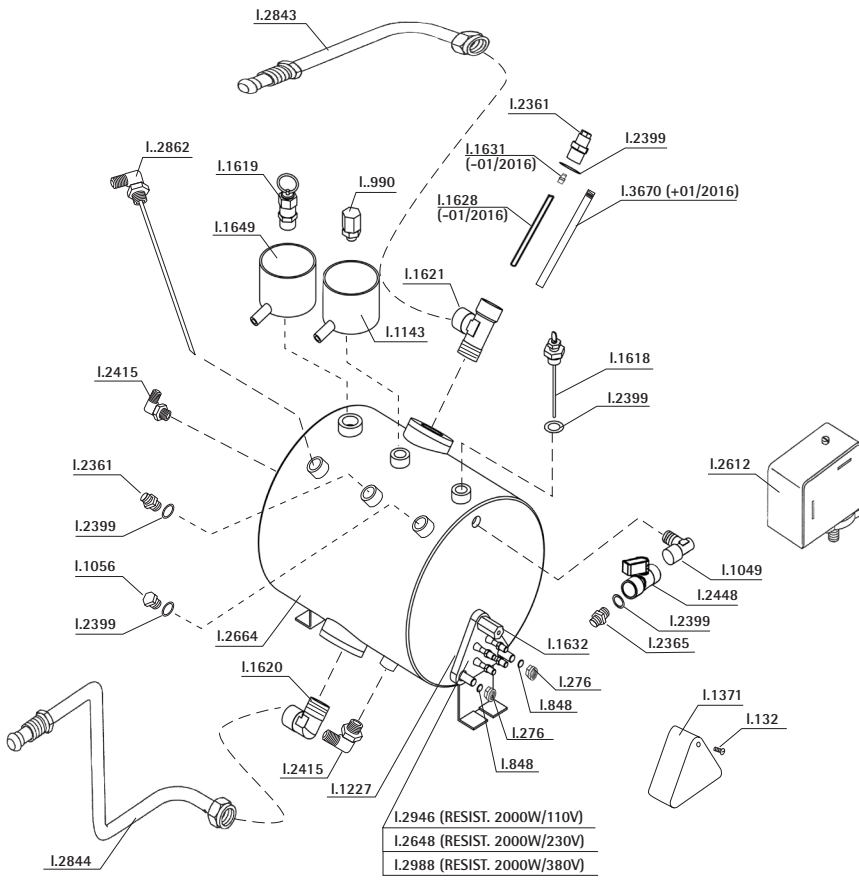
REF.	DESCRIPCIÓN	DESCRIPTION
I.1183	JUNTA 21x16,8x2 PTFE	O-RING
I.1391	CONJUNTO VALVULAS STECHROME	VALVES SET
I.2332	JUNTA 18x13,5x2 PTFE	O-RING
I.3815	RACOR M20x1,5	M20X1,5 FITTING
I.3816	JUNTA 25x20,2x2 PTFE	GASKET 25x20,2x2 PTFE
I.3817	CUERPO MASSELLO	MASSELLO BODY
I.3818	TUERCA 3/8"	3/8" NUT
I.3819	TUERCA M22x1	M22x1 NUT
I.3820	RACOR M22x1	M22x1 FITTING
I.3821	JUNTA TORICA 2x17x21 NBR	O-RING 2x17x21 NBR
I.3822	MUELLE ESCAPE 3-10,5 Kg.	SPRING
I.3823	PORTAJUNTA VÁLVULA	GASKETHOLDER
I.3824	JUNTA VÁLVULA	GASKET VALVE
I.3825	CUERPO VÁLVULA	BODY VALVE
I.3828	CJTO VÁLVULA + TORICA	GASKET + O-RING
I.3829	MUELLE VÁLVULA DE CARGA	SPRING
I.3830	RACOR 3/8 x 1/4	FITTING



Componentes Eléctricos/Electrónicos Barista ■ Barista Electric/Electronic Components

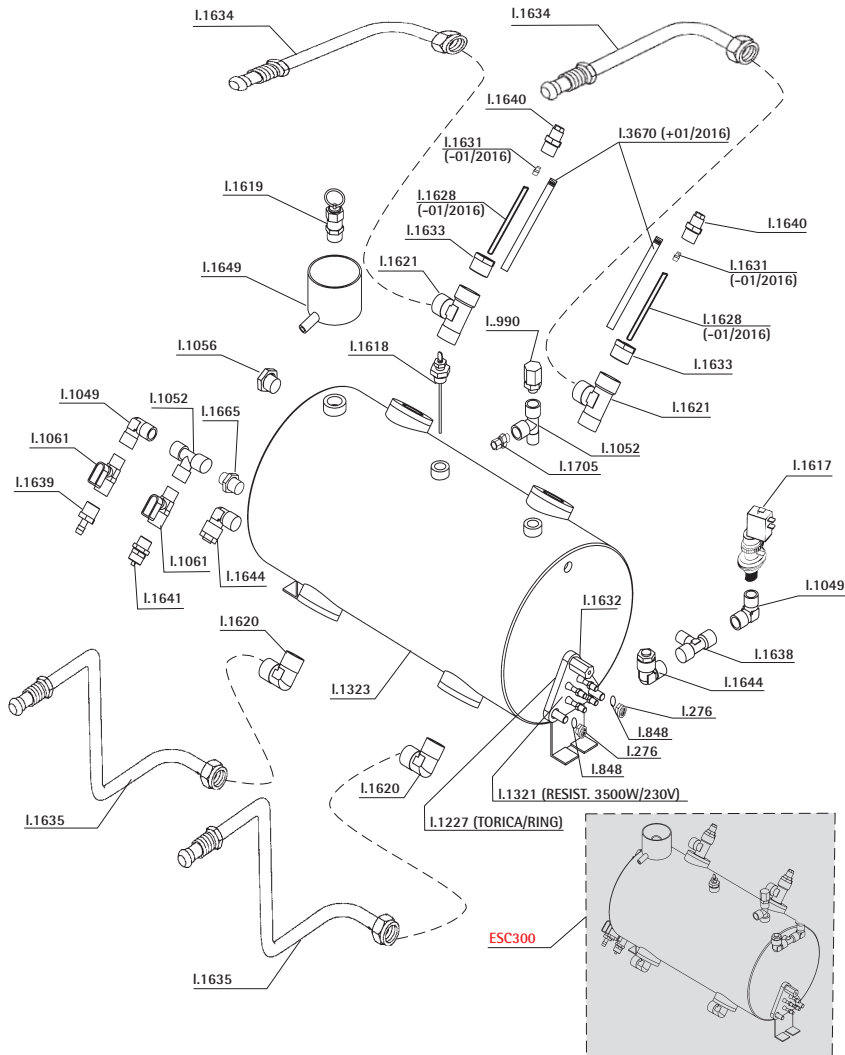
REF.	DESCRIPCIÓN	DESCRIPTION
FRI226	TORNILLO	SCREW
I..354	REGLETA	TERMINAL STRIP
I.1236	PILOTO AZUL STEEL/STEELBAR	PILOT BLUE STEEL/STEELBAR
I.1358	CAJA BOTONERA	DOSING DEVICE BOX
I.1360	EMBELLECEDOR BOTONERA	DOSING DEVICE PROTECTOR
I.1361	INTERRUPTOR L	SWITCH L
I.1362	INTERRUPTOR L2	SWITCH L2
I.1363	INTERRUPTOR S	SWITCH S
I.1364	INTERRUPTOR S2	SWITCH S2
I.1365	INTERRUPTOR XL	SWITCH XL
I.1366	TECLA L	L BUTTON
I.1367	TECLA L2	L2 BUTTON
I.1368	TECLA S	S BUTTON
I.1369	TECLA S2	S2 BUTTON
I.1370	TECLA XL	XL BUTTON
I.1614	CENTRALITA GICAR BARISTA 230V	230V BARISTA GICAR CONTROL BOARD
I.1615	CABLE BOTONERA GRUPO DERECHO 7	750mm RIGHT GROUP DOSING DEVICE
I.1624	TERMOSTATO SEGURIDAD FIJO 169°	169°C SAFETY THERMOSTAT
I.1645	PLACA ELECTRONICA BOTONERA	DOSING DEVICE CONTROL BOARD
I.1681	CONECTOR E.V. CARGA CON CABLE	WITH WIRING INLET E.V. CONNECTOR
I.1682	CONECTOR E.V. GRUPO CON CABLE	WITH WIRING GROUP EV CONNECTOR
I.1683	CONECTOR CONTADOR VOLUMETRICO	WITH WIRING FLOWMETER CONNECTOR
I.1741	CABLE BOTONERA 3GR 1000mm	1000mm 3GR DOSING DEVICE WIRING
I.1747	CONTACTOR BARISTA PRO 230V	BARISTA PRO CONTACTOR 230V
I.1768	CABLE RED 4 CONDUCTORES + TIERRA	380V BARISTA 4 DRIVERS WIRING
I.1784	CABLE RED 3 CONDUCTORES + TIERRA	230V BARISTA WIRING
I.1788	CONJUNTO CABLEADO B. PRO 230V	B.PRO WIRING WHOLE 230V
I.1790	CONJUNTO CABLEADO B. PRO 3GR 230V	B.PRO 3GR WIRING WHOLE 230V
I.1792	CABLE BOTONERA GRUPO IZQUIERDO	570mm LEFT GROUP DOSING DEVICE
I.2425	CONJUNTO CABLEADO B. PRO 380V	B.PRO 380V WIRING WHOLE 380V
I.2426	CONJUNTO CABLEADO B. PRO 3GR 380V	B.PRO 3GR WIRING WHOLE 380V
I.2494	CENTRALITA GICAR BARISTA 110V	110V BARISTA GICAR CONTROL BOARD
I.2550	INTERRUPTOR ON-OFF KAP	KAP ON/OFF SWITCH
I.2801	CONJUNTO CABLEADO B. PRO 110V	B.PRO WIRING WHOLE 110V
I.2805	CONTACTOR BARISTA PRO 110V	BARISTA PRO CONTACTOR 110V
I.2832	INTERRUPTOR	SWITCH
I.2833	POMO+PLACA+TORNILLOS	KNOB+PLATE+SCREW
I.2969	CONJUNTO CABLEADO B. PRO 1GR 230V	B.PRO 1GR WIRING WHOLE 230V
I.3026	CONJUNTO CABLEADO B. PRO 1GR 380V	B.PRO 1GR WIRING WHOLE 380V
I.3679	PROTECTOR PVC INTERRUPTOR RL-31	PVC SWITCH PROTECTOR RL-31
I.3864	TAPA CAJA BOTONERA	DOSING DEVICE BOX LID
PM.118	CONJUNTO BOTONERA	ELECTRONIC BOX





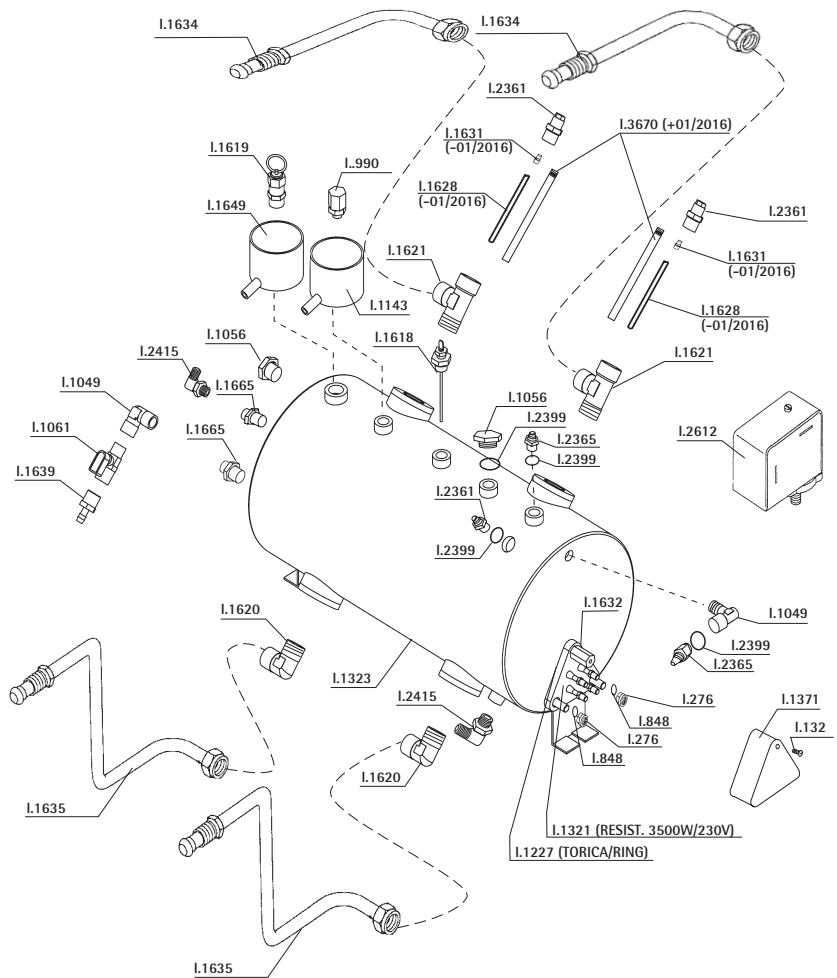
REF.	DESCRIPCIÓN	DESCRIPTION
ESC395	CALDERA AGUA-VAPOR B.1GR 230V	230V 1GR BARISTA WATER-STEAM
ESC401	CALDERA AGUA-VAPOR B. 1GR 110V	110V 1GR BARISTA WATER-STEAM
ESC402	CALDERA AGUA-VAPOR B. 1GR 380V	380V 1GR BARISTA WATER-STEAM
I..132	TORNILLO M5x8 INOX	SCREW M5x8 INOX
I..276	TUERCA RESISTENCIA M8 INOX	INOX M8 RESISTANCE NUT
I..848	ARANDELA PLANA M8 INOX	INOX M8 FLAT WASHER
I..990	VALVULA VACIO BAR	BAR EMPTY SOLENOID
I.1049	RACOR CODO 5020 1/4	BEND FITTING 5020 1/4
I.1056	TAPON 1/4" NIQUEL	CAP 1/4"
I.1143	CAZOLETA VALVULA VACIO	BAR TRAY WATER BOILER
I.1227	TORICA 37.69 X 3.53 SILICONA	SILICONE RING 37.69 X 3.53
I.1371	TAPA PROTECTOR RESISTENCIA	RESISTANCE PROTECTOR LID
I.1618	SONDA NIVEL 150mm	150mm LEVEL PROBE
I.1619	VALVULA SEGURIDAD 3/8	SAFETY VALVE 3/8
I.1620	CODO INFERIOR CALDERA	BOILER LOWER ELBOW
I.1621	TE SUPERIOR CALDERA	BOILER UPPER T
I.1628	TUBO TEFLON 2x4mm 70mm INYECTOR	BARISTA INJECTOR 70mm 2x4 TEFLON
I.1631	INYECTOR TEFLON	TEFLON INJECTOR
I.1632	TUERCA ESPECIAL RESISTENCIA INOX	INOX RESISTANCE SPECIAL NUT
I.1649	CAZOLETA VALVULA SEGURIDAD	SAFETY VALVE TANK
I.2361	RACOR INYECTOR 1/4 - 1/8	FITTING INJECTOR 1/4 - 1/8
I.2365	RACOR CALDERA 1/4	FITTING BOILER 1/4
I.2399	JUNTA COBRE 1/4	COPPER JOINT 1/4
I.2415	RACOR CODO 1/4 AISI 316	BEND FITTING 1/4 AISI 316
I.2448	VALVULA BOLA 1/4 BARISTA	BARISTA SOLENOID BALL 1/4
I.2612	PRESOSTATO SIRAI	PRESSURE SWICHT SIRAI
I.2648	RESISTENCIA BARISTA 2000W 230V	2000W 230V BARISTA RESISTANCE
I.2664	CALDERA 6 LITROS 1GR INOX	1GR 6 LITERS BOILER INOX
I.2843	TUBO ENTRADA COBRE CALDERA BARISTA	BARISTA BOILER COPPER INLET
I.2844	TUBO RETORNO BARISTA	BARISTA RETURN PIPE
I.2862	TUBO PESCA AGUA CALIENTE 1GR	BARISTA 1GR HOT WATER PIPE
I.2946	RESISTENCIA BARISTA 2000W 110V	110V 2000W BARISTA RESISTANCE
I.2988	RESISTENCIA BARISTA 2000W 380V	380V 2000W BARISTA RESISTANCE
I.3670	INYECTOR INOX BARISTA	INJECTOR INOX BARISTA

Caldera Barista (-2012) ■ Barista Boiler (-2012)

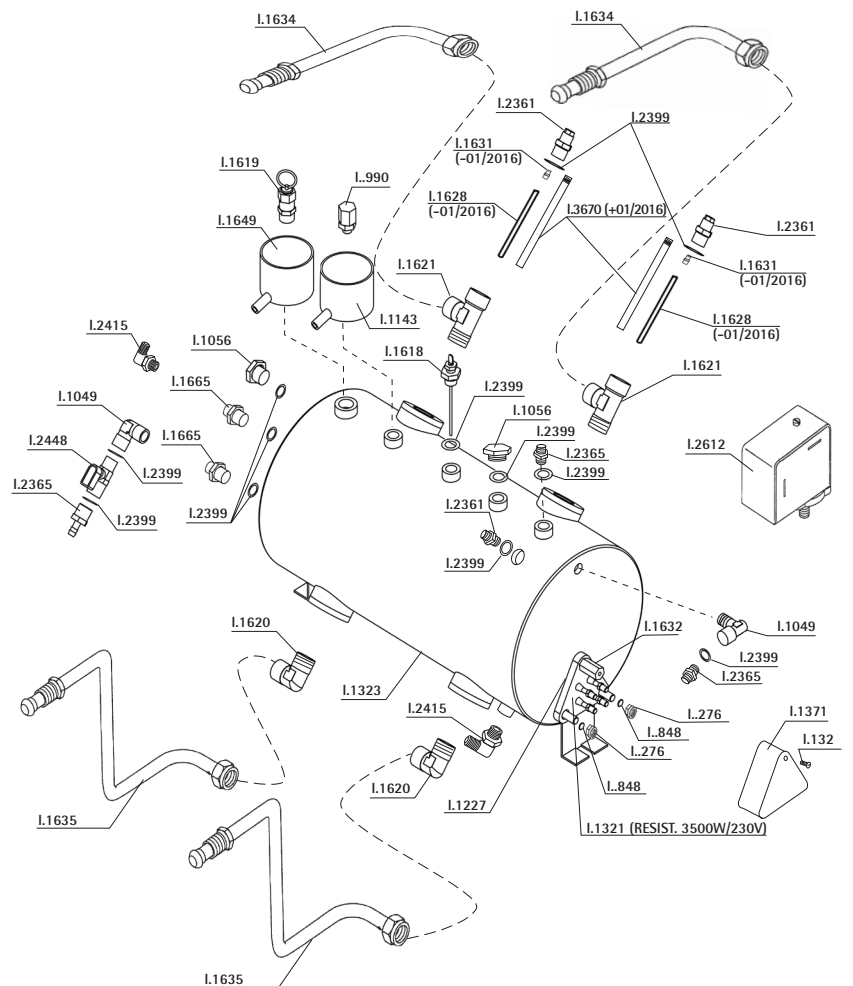


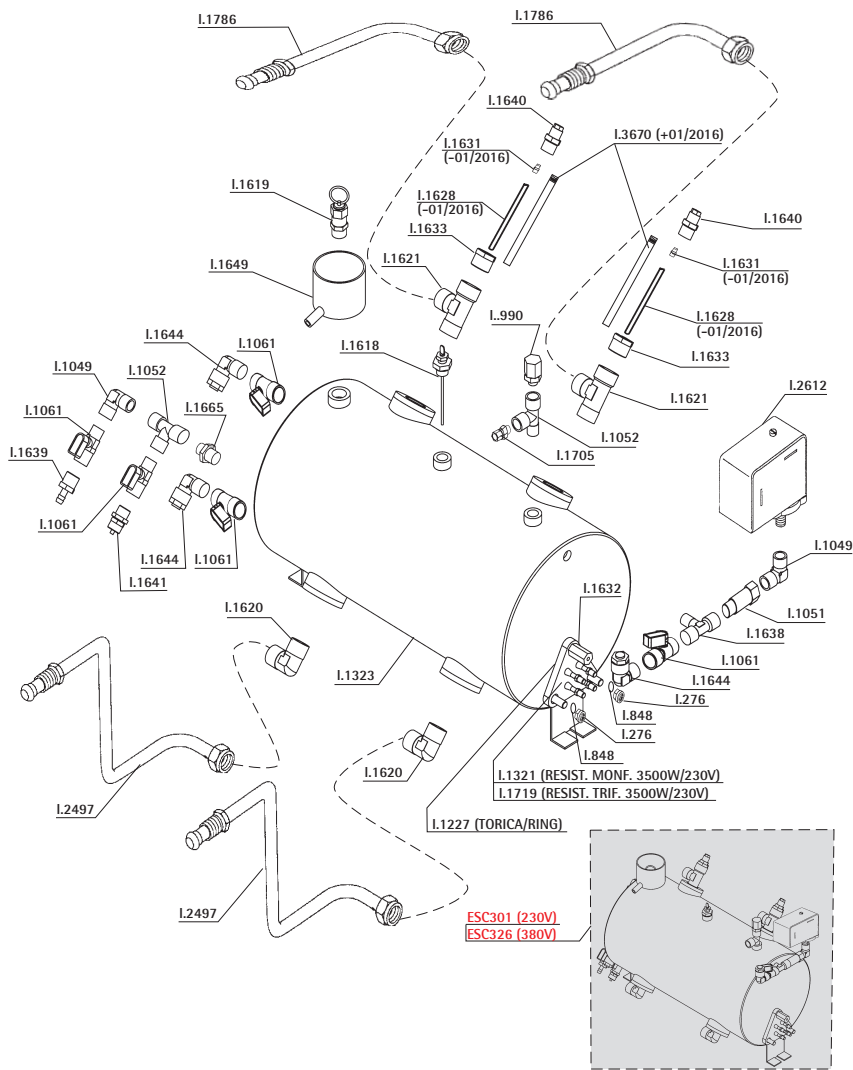
REF.	DESCRIPCIÓN	DESCRIPTION
ESC300	CALDERA AGUA-VAPOR BARISTA 230	230V BARISTA STEAM-WATER BOILER
I..276	TUERCA RESISTENCIA M8 INOX	INOX M8 RESISTANCE NUT
I..848	ARANDELA RESISTENCIA M8 INOX	INOX M8 RESISTANCE WASHER
I..990	VALVULA VACIO BAR	BAR EMPTY VALVE
I.1049	RACOR CODO 5020 1/4	BEND FITTING 5020 1/4
I.1052	RACOR T 4050 1/4	T 4050 1/4
I.1056	TAPON 1/4" NIQUEL	CAP 1/4"
I.1061	GRIFO BOLA 1/4m-1/4h BAR	BAR SOLENOID BALL M/H
I.1227	TORICA 37.69 X 3.53 SILICONA	SILICONE RING 37.69 X 3.53
I.1321	RESISTENCIA BARISTA 3500W 230V	3500W 230V 2GR 330mm BARISTA
I.1323	CALDERA BARISTA 2GR. 13L INOX	2GR 13L INOX BARISTA BOILER
I.1617	PRESOSTATO REGULABLE (0.5/1.5 BAR)	(0.5/1.5 BAR) ADJUSTABLE PRESS
I.1618	SONDA NIVEL 150mm	150mm LEVEL PROBE
I.1619	VALVULA SEGURIDAD 3/8	SAFETY VALVE 3/8
I.1620	CODO INFERIOR CALDERA	BOILER LOWER ELBOW
I.1621	RACOR TE SUPERIOR CALDERA	BOILER UPPER T FITTING
I.1628	TUBO TEFLON 2x4 (70mm)	BARISTA TUBE 70mm 2x4 TEFLON
I.1631	INYECTOR TEFLON	TEFLON INJECTOR
I.1632	TUERCA ESPECIAL RESISTENCIA INOX	INOX RESISTANCE SPECIAL NUT
I.1633	REDUCCION INYECTOR NIQUEL	NICKEL INJECTOR REDUCER
I.1634	TUBO ENTRADA COBRE CALDERA	BOILER COOPER INLET PIPE
I.1635	TUBO RETORNO COBRE CALDERA	BOILER COOPER RETURN PIPE
I.1638	RACOR TE 1/4 NIQUEL	NECKEL 1/4 T
I.1639	RACOR VACIADO CALDERA NIQUEL	NECKEL BOILER EMPTY FITTING
I.1640	RACOR 1/8 NIQUEL	NECKEL 1/8 FITTING
I.1641	RACOR LLENADO CALDERA NIQUEL	NECKEL BOILER FULL FITTING 1/4
I.1644	RACOR CODO TUBO 8 mm NIQUEL	8mm TUBE ELBOW FITTING
I.1649	CAZOLETA VALVULA SEGURIDAD	SAFETY VALVE TANK
I.1665	RACOR PROLONGACION SALIDA AGUA	WATER OUTLET FITTING
I.1705	RACOR MANOMETRO VAPOR	MANOMETER FITTING
I.3670	INYECTOR INOX BARISTA	INJECTOR INOX BARISTA

REF.	DESCRIPCIÓN	DESCRIPTION
ESC300	CALDERA AGUA-VAPOR BARISTA 230V	230V BARISTA STEAM-WATER BOILER
I..132	TORNILLO M5x8 INOX	M5x8 INOX SCREW
I. 276	TUERCA RESISTENCIA M8 INOX	INOX M8 RESISTANCE NUT
I..848	ARANDELA RESISTENCIA M8 INOX	INOX M8 RESISTANCE WASHER
I..990	VALVULA VACIO BAR	BAR EMPTY VALVE
I.1049	RACOR CODO 5020 1/4	BEND FITTING 5020 1/4
I.1056	TAPON 1/4" NIQUEL	CAP 1/4"
I.1061	GRIFO BOLA 1/4m-1/4h BAR	BAR SOLENOID BALL M/H
I.1143	CAZOLETA VALVULA VACIO	BAR TRAY WATER BOILER
I.1227	TORICA 37.69 X 3.53 SILICONA	SILICONE RING 37.69 X 3.53
I.1321	RESISTENCIA BARISTA 3500W 230V	3500W 230V 2GR 330mm BARISTA
I.1323	CALDERA BARISTA 2GR. 13L INOX	2GR 13L INOX BARISTA BOILER
I.1371	TAPA PROTECTOR RESISTENCIA	RESISTANCE PROTECTOR LID
I.1618	SONDA NIVEL 150mm	150mm LEVEL PROBE
I.1619	VALVULA SEGURIDAD 3/8	SAFETY VALVE 3/8
I.1620	CODO INFERIOR CALDERA	BOILER LOWER ELBOW
I.1621	RACOR TE SUPERIOR CALDERA	BOILER UPPER T
I.1628	TUBO TEFLON 2x4 (70mm)	INJECTOR 70mm 2x4 TEFLON
I.1631	INYECTOR TEFLON	TEFLON INJECTOR
I.1632	TUERCA ESPECIAL RESISTENCIA INOX	INOX RESISTANCE SPECIAL NUT
I.1634	TUBO ENTRADA COBRE CALDERA	BOILER COPPER INLET
I.1635	TUBO RETORNO COBRE CALDERA	BOILER COOPER RETURN
I.1639	RACOR VACIADO CALDERA NIQUEL	NECKEL BOILER EMPTY FITTING
I.1649	CAZOLETA VALVULA SEGURIDAD	SAFETY VALVE TANK
I.1665	RACOR PROLONGACION SALIDA AGUA	WATER OUTLET FITTING
I.2361	RACOR INYECTOR 1/4"-1/8"	INJECTOR FITTING 1/4"-1/8"
I.2365	RACOR CALDERA 1/4"	FITTING BOILER 1/4"
I.2399	JUNTA COBRE 1/4"	COPPER JOINT 1/4"
I.2415	RACOR CODO 1/4"	ELBOW FITTING 1/4"
I.2612	PRESOSTATO SIRAI	SIRAI PRESSURE SWITCH
I.3670	INYECTOR INOX BARISTA	INJECTOR INOX BARISTA

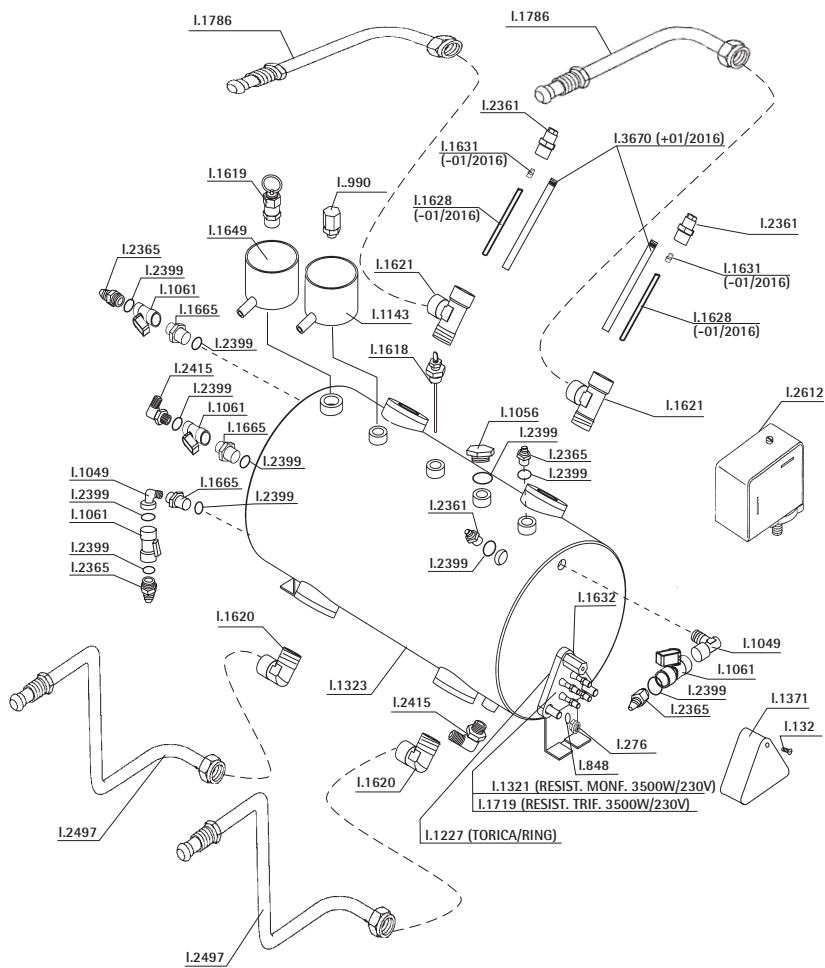


REF.	DESCRIPCIÓN	DESCRIPTION
ESC300	CALDERA AGUA-VAPOR BARISTA 230V	230V BARISTA STEAM-WATER BOILER
I..132	TORNILLO M5x8 INOX	SCREW M5x8 INOX
I..276	TUERCA RESISTENCIA M8 INOX	INOX M8 RESISTANCE NUT
I..848	ARANDELA PLANA M8 INOX	INOX M8 FLAT WASHER
I..990	VALVULA VACIO BAR	BAR EMPTY SOLENOID
I.1049	RACOR CODO 5020 1/4	BEND FITTING 5020 1/4
I.1056	TAPON 1/4"	CAP 1/4"
I.1143	CAZOLETA VALVULA VACIO	BAR TRAY WATER BOILER
I.1227	TORICA 37.69 X 3.53 SILICONA	SILICONE RING 37.69 X 3.53
I.1321	RESISTENCIA BARISTA 3500W 230V	3500W 230V BARISTA RESISTANCE
I.1323	CALDERA BARISTA 2GR. 13L INOX	2GR 13L INOX BARISTA BOILER
I.1371	TAPA PROTECTOR RESISTENCIA	RESISTANCE PROTECTOR LID
I.1618	SONDA NIVEL 150mm	150mm LEVEL PROBE
I.1619	VALVULA SEGURIDAD 3/8	SAFETY VALVE 3/8
I.1620	CODO INFERIOR CALDERA	BOILER LOWER ELBOW
I.1621	TE SUPERIOR CALDERA	BOILER UPPER T
I.1628	TUBO TEFLON 2x4mm 70mm INYECTOR	BARISTA INJECTOR 70mm 2x4 TEFLON
I.1631	INYECTOR TEFLON	TEFLON INJECTOR
I.1632	TUERCA ESPECIAL RESISTENCIA INOX	INOX RESISTANCE SPECIAL NUT
I.1634	TUBO ENTRADA COBRE CALDERA BARISTA	BARISTA BOILER COOPER INLET PIPE
I.1635	TUBO RETORNO COBRE CALDERA B.PRO	B. PRO BOILER COOPER RETURN PIPE
I.1649	CAZOLETA VALVULA SEGURIDAD	SAFETY VALVE TANK
I.1665	RACOR PROLONGACION SALIDA AGUA	WATER OUTLET EXTENSION FITTING
I.2361	RACOR INYECTOR 1/4 - 1/8	FITTING INYECTOR 1/4 - 1/8
I.2365	RACOR CALDERA 1/4	FITTING BOILER 1/4
I.2399	JUNTA COBRE 1/4	COPPER JOINT 1/4
I.2415	RACOR CODO 1/4 AISI 316	BEND FITTING 1/4 AISI 316
I.2448	VALVULA BOLA 1/4 BARISTA	BARISTA SOLENOID BALL 1/4
I.2612	PRESOSTATO SIRAI	PRESSURE SWICTH SIRAI
I.3670	INYECTOR INOX BARISTA	INJECTOR INOX BARISTA



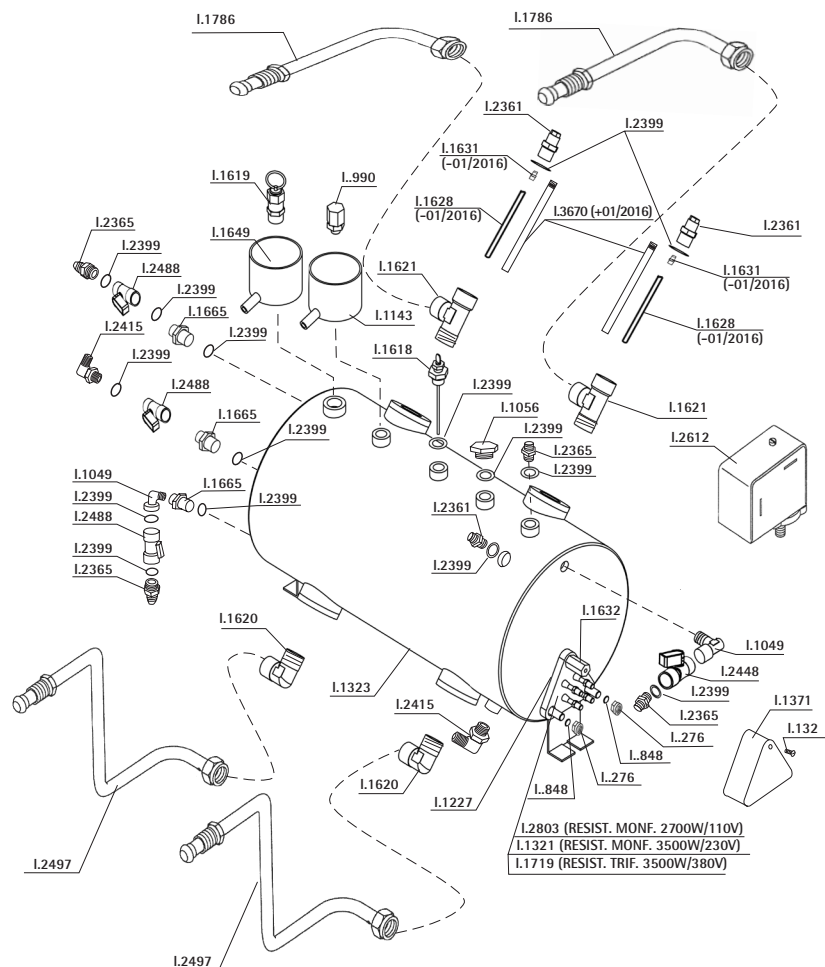


REF.	DESCRIPCIÓN	DESCRIPTION
ESC301	CALDERA AGUA-VAPOR BARISTA PRO	WATER-STEAM 230V BOILER BARISTA
ESC326	CALDERA AGUA-VAPOR BARISTA PRO	BOILER 2GR 380V
I..276	TUERCA RESISTENCIA M8 INOX	INOX M8 RESISTANCE NUT
I..848	ARANDELA RESISTENCIA M8 INOX	INOX M8 RESISTANCE WASHER
I..990	VALVULA VACIO BAR	BAR EMPTY VALVE
I.1049	RACOR CODO 5020 1/4	BEND FITTING 5020 1/4
I.1051	PROLONGACION 2070 1/4 1/4	EXTENSION 2070 1/4 1/4
I.1052	RACOR T 4050 1/4	T 4050 1/4
I.1061	GRIFO BOLA 1/4m-1/4h BAR	BAR SOLENOID BALL M/H
I.1227	TORICA 37.69 X 3.53 SILICONA	SILICONE RING 37.69 X 3.53
I.1321	RESISTENCIA BARISTA 3500W 230V	3500W 230V 2GR 330mm BARISTA
I.1323	CALDERA BARISTA 2GR. 13L INOX	2GR 13L INOX BARISTA BOILER
I.1618	SONDA NIVEL 150mm	150mm LEVEL PROBE
I.1619	VALVULA SEGURIDAD 3/8	SAFETY VALVE 3/8
I.1620	CODO INFERIOR CALDERA	BOILER LOWER ELBOW
I.1621	RACOR TE SUPERIOR CALDERA	BOILER UPPER T
I.1628	TUBO TEFLON 2x4 (70mm)	BARISTA INJECTOR 70mm 2x4
I.1631	INYECTOR TEFLON	TEFLON INJECTOR
I.1632	TUERCA ESPECIAL RESISTENCIA INOX	INOX RESISTANCE SPECIAL NUT
I.1633	REDUCCION INYECTOR NIQUEL	NICKEL INJECTOR REDUCER
I.1638	RACOR TE 1/4 NIQUEL	NECKEL 1/4 T
I.1639	RACOR VACIADO CALDERA NIQUEL	NECKEL BOILER EMPTY FITTING
I.1640	RACOR 1/8 NIQUEL	NECKEL 1/8 FITTING
I.1641	RACOR LLENADO CALDERA NIQUEL	NECKEL BOILER FULL FITTING 1/4
I.1644	RACOR CODO TUBO 8 mm NIQUEL	8mm TUBE ELBOW FITTING
I.1649	CAZOLETA VALVULA SEGURIDAD	SAFETY VALVE TANK
I.1665	RACOR PROLONGACION SALIDA AGUA	WATER OUTLET FITTING
I.1705	RACOR MANOMETRO VAPOR	NECKEL (13480 4 1/4) STEAM MAN
I.1719	RESISTENCIA 2GR 3500W 380V	380V 3500W 2GR RESISTANCE
I.1786	TUBO ENTRADA COBRE CALDERA	BOILER COPPER INLET PIPE
I.2497	TUBO RETORNO CALDERA	BOILER RETURN PIPE
I.2612	PRESOSTATO SIRAI	SIRAI PRESSURE SWITCH
I.3670	INYECTOR INOX BARISTA	INJECTOR INOX BARISTA

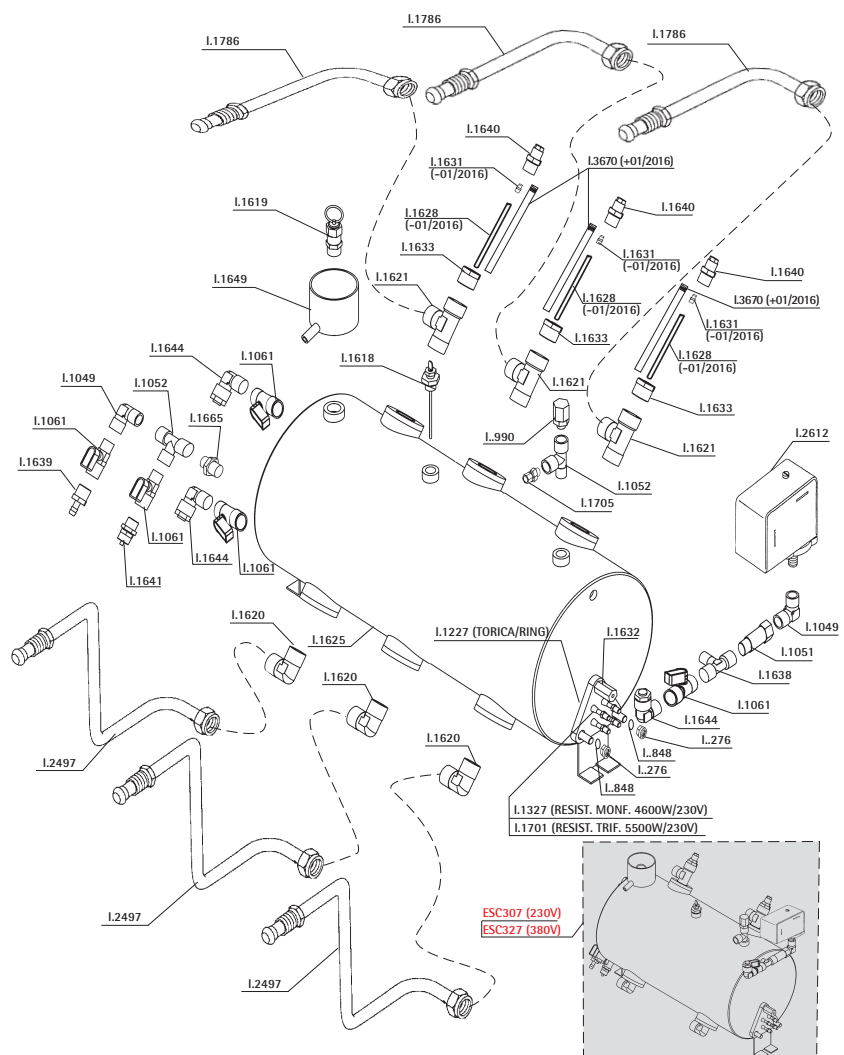


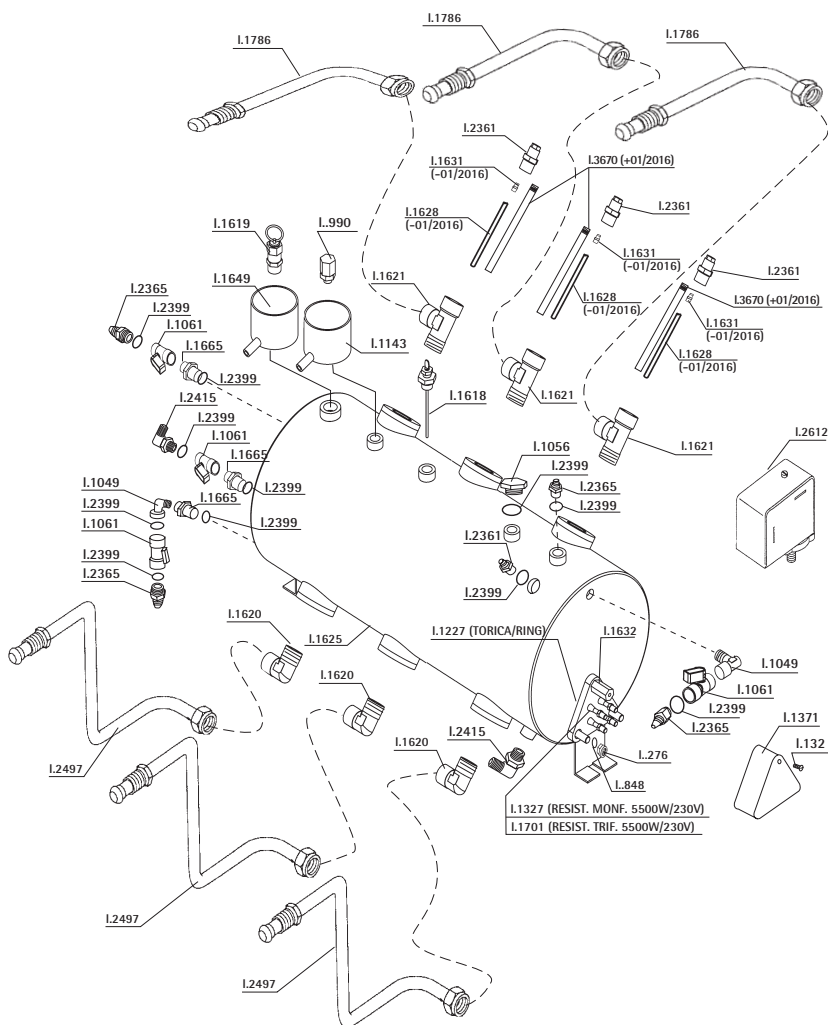
REF.	DESCRIPCIÓN	DESCRIPTION
I..132	TORNILLO M5x8 INOX	INOX SCREW
I..276	TUERCA RESISTENCIA M8 INOX	INOX M8 RESISTANCE NUT
I..848	ARANDELA RESISTENCIA M8 INOX	INOX M8 RESISTANCE WASHER
I..990	VALVULA VACIO BAR	BAR EMPTY VALVE
I.1049	RACOR CODO 5020 1/4	BEND FITTING 5020 1/4
I.1056	TAPON 1/4" NIQUEL	CAP 1/4"
I.1061	GRIFO BOLA 1/4m-1/4h BAR	BAR SOLENOID BALL M/H
I.1143	RECOGE AGUA CALDERA BAR	BAR TRAY WATER BOILER
I.1227	TORICA 37.69 X 3.53 SILICONA	SILICONE RING 37.69 X 3.53
I.1321	RESISTENCIA BARISTA 3500W 230V	3500W 230V 2GR 330mm BARISTA
I.1323	CALDERA BARISTA 2GR. 13L INOX	2GR 13L INOX BARISTA BOILER
I.1371	TAPA PROTECTOR RESISTENCIA	RESISTANCE PROTECTOR LID
I.1618	SONDA NIVEL 150mm	150mm LEVEL PROBE
I.1619	VALVULA SEGURIDAD 3/8	SAFETY VALVE 3/8
I.1620	CODO INFERIOR CALDERA	BOILER LOWER ELBOW
I.1621	RACOR TE SUPERIOR CALDERA	BOILER UPPER T
I.1628	TUBO TEFLON 2x4 (70mm)	INJECTOR 70mm 2x4 TEFLON
I.1631	INYECTOR TEFLON	TEFLON INJECTOR
I.1632	TUERCA ESPECIAL RESISTENCIA IN	INOX RESISTANCE SPECIAL NUT
I.1649	CAZOLETA VALVULA SEGURIDAD	SAFETY VALVE TANK
I.1665	RACOR PROLONGACION SALIDA AGUA	WATER OUTLET FITTING
I.1719	RESISTENCIA 2GR 3500W 380V	380V 3500W 2GR RESISTANCE
I.1786	TUBO ENTRADA CALDERA BARISTA	BARISTA PRO BOILER INLET PIPE
I.2361	RACOR INYECTOR 1/4"- 1/8"	INJECTOR FITTING 1/4"-1/8"
I.2365	RACOR CALDERA 1/4"	FITTING BOILER 1/4"
I.2399	JUNTA COBRE 1/4"	COPPER JOINT 1/4"
I.2415	RACOR CODO 1/4"	ELBOW FITTING 1/4"
I.2497	TUBO RETORNO CALDERA BARISTA	BARISTA BOILER RETURN PIPE
I.2612	PRESOSTATO SIRAI	SIRAI PRESSURE SWITCH
I.3670	INYECTOR INOX BARISTA	INJECTOR INOX BARISTA

REF.	DESCRIPCIÓN	DESCRIPTION
ESC258	CALDERA AGUA-VAPOR B. PRO 110V	110V 2GR BARISTA PRO WATER-STEAM
ESC301	CALDERA AGUA-VAPOR B. PRO 230V	230V 2GR BARISTA PRO WATER-STEAM
ESC326	CALDERA AGUA-VAPOR B. PRO 380V	380V 2GR BARISTA PRO WATER-STEAM
L.132	TORNILLO M5x8 INOX	SCREW M5x8 INOX
L.276	TUERCA RESISTENCIA M8 INOX	INOX M8 RESISTANCE NUT
L.848	ARANDELA PLANA M8 INOX	INOX M8 FLAT WASHER
L.990	VALVULA VACIO BAR	BAR EMPTY SOLENOID
L.1049	RACORD CODO 5020 1/4	BEND FITTING 5020 1/4
L.1056	TAPON 1/4"	CAP 1/4"
L.1143	CAZOLETA VALVULA VACIO	BAR TRAY WATER BOILER
L.1227	TORICA 37.69 X 3.53 SILICONA	SILICONE RING 37.69 X 3.53
L.1321	RESISTENCIA BARISTA 3500W 230V	3500W 230V BARISTA RESISTANCE
L.1323	CALDERA BARISTA 2GR. 13L INOX	2GR 13L INOX BARISTA BOILER
L.1371	TAPA PROTECTOR RESISTENCIA	RESISTANCE PROTECTOR LID
L.1618	SONDA NIVEL 150mm	150mm LEVEL PROBE
L.1619	VALVULA SEGURIDAD 3/8	SAFETY VALVE 3/8
L.1620	CODO INFERIOR CALDERA	BOILER LOWER ELBOW
L.1621	TE SUPERIOR CALDERA	BOILER UPPER T
L.1628	TUBO TEFLON 2x4mm 70mm INYECTOR	BARISTA INJECTOR 70mm 2x4 TEFLON
L.1631	INYECTOR TEFLON	TEFLON INJECTOR
L.1632	TUERCA ESPECIAL RESISTENCIA INOX	INOX RESISTANCE SPECIAL NUT
L.1649	CAZOLETA VALVULA SEGURIDAD	SAFETY VALVE TANK
L.1665	RACOR PROLONGACION SALIDA AGUA	WATER OUTLET EXTENSION FITTING
L.1719	RESISTENCIA 2GR 3500W 380V	380V 3500W 2GR RESISTANCE
L.1786	TUBO ENTRADA COBRE CALDERA BARISTA	BARISTA PRO BOILER COPPER INLET
L.2361	RACOR INYECTOR 1/4 - 1/8	FITTING INJECTOR 1/4 - 1/8
L.2365	RACOR CALDERA 1/4	FITTING BOILER 1/4
L.2399	JUNTA COBRE 1/4	COPPER JOINT 1/4
L.2415	RACOR CODO 1/4 AISI 316	BEND FITTING 1/4 AISI 316
L.2448	VALVULA BOLA 1/4 BARISTA	BARISTA SOLENOID BALL 1/4
L.2497	TUBO RETORNO BARISTA PRO	BARISTA PRO RETURN PIPE
L.2612	PRESOSTATO SIRAI	PRESSURE SWICTH SIRAI
L.2803	RESISTENCIA 2GR 2700W 110V	110V 2700W 2GR RESISTANCE
L.3670	INYECTOR INOX BARISTA	INJECTOR INOX BARISTA

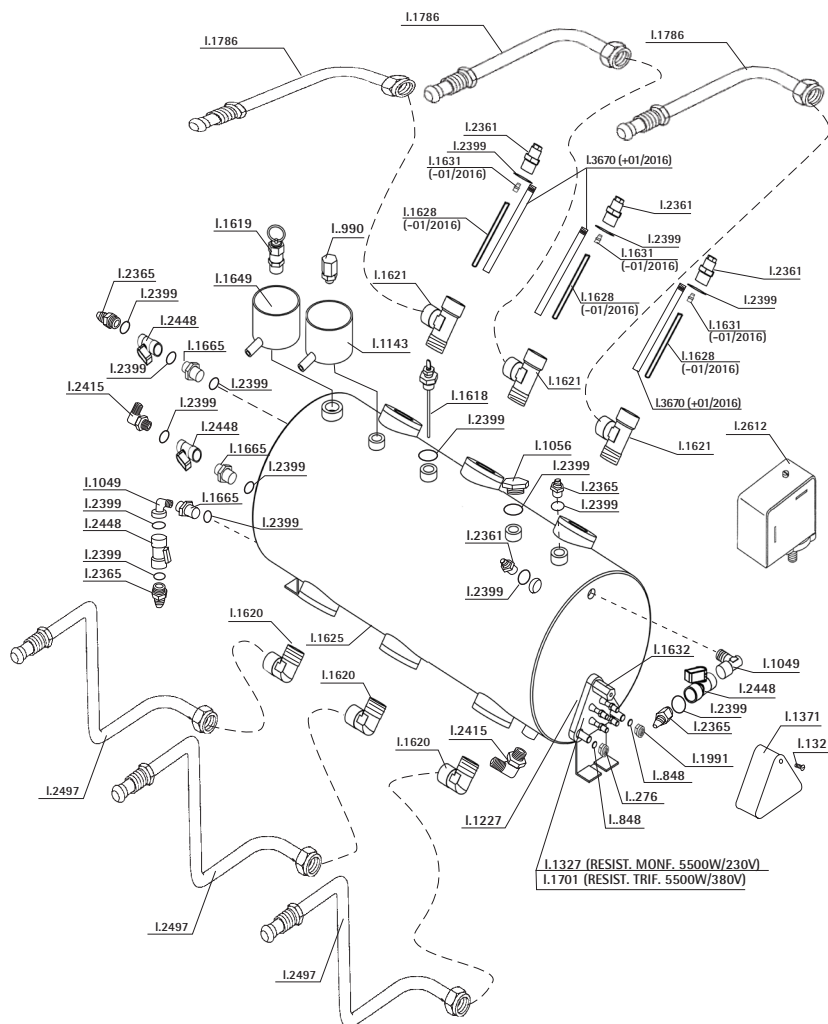


REF.	DESCRIPCIÓN	DESCRIPTION
ESC307	CALDERA AGUA-VAPOR B. PRO 230V	230V 3GR BOILER
ESC327	CALDERA AGUA-VAPOR B. PRO 380V	380V 3GR BOILER
L.276	TUERCA RESISTENCIA M8 INOX	INOX M8 RESISTANCE NUT
L.848	ARANDELA PLANA M8 INOX	INOX M8 FLAT WASHER
L.990	VALVULA VACIO BAR	BAR EMPTY VALVE
L.1049	RACORD CODO 5020 1/4	BEND FITTING 5020 1/4
L.1051	PROLONGACION 2070 1/4 1/4	EXTENSION 2070 1/4 1/4
L.1052	RACOR T 4050 1/4	T 4050 1/4
L.1061	GRIFO BOLA 1/4m-1/4h BAR	BAR SOLENOID BALL M/H
L.1227	TORICA 37.69 X 3.53 SILICONA	SILICONE RING 37.69 X 3.53
L.1327	RESISTENCIA BARISTA 4500W 230V	RESISTANCE BARISTA 4500W 230V
L.1618	SONDA NIVEL 150mm	150mm LEVEL PROBE
L.1619	VALVULA SEGURIDAD 3/8	SAFETY VALVE 3/8
L.1620	CODO INFERIOR CALDERA	BOILER LOWER ELBOW
L.1621	RACOR TE SUPERIOR CALDERA	BOILER UPPER T
L.1625	CALDERA 18 LIT. 3 GRUPOS	3GR 18 LITERS BOILER
L.1628	TUBO TEFLON 2x4 (70mm)	INJECTOR 70mm 2x4 TEFLON
L.1631	INYECTOR TEFLON	TEFLON INJECTOR
L.1632	TUERCA ESPECIAL RESISTENCIA INOX	INOX RESISTANCE SPECIAL NUT
L.1633	REDUCCION INYECTOR NIQUEL	NICKEL INJECTOR REDUCER
L.1638	RACOR TE 1/4 NIQUEL	NECKEL 1/4 T
L.1639	RACOR VACIADO CALDERA NIQUEL	NECKEL BOILER EMPTY FITTING
L.1640	RACOR 1/8 NIQUEL	NECKEL 1/8 FITTING
L.1641	RACOR LLENADO CALDERA NIQUEL	NECKEL BOILER FULL FITTING 1/4
L.1644	RACOR CODO TUBO 8 mm NIQUEL	8mm TUBE ELBOW FITTING
L.1649	CAZOLETA VALVULA SEGURIDAD	SAFETY VALVE TANK
L.1665	RACOR PROLONGACION SALIDA AGUA	WATER OUTLET FITTING
L.1701	RESISTENCIA 3GR 5500W 18LT	18LT 5500W 3GR RESISTANCE
L.1705	RACOR MANOMETRO VAPOR (13480	NECKEL (13480 4 1/4) STEAM
L.1786	TUBO ENTRADA COBRE CALDERA	BOILER COPPER INLET PIPE
L.2497	TUBO RETORNO COBRE CALDERA	BOILER COOPER RETURN PIPE
L.2612	PRESOSTATO SIRAI	SIRAI PRESSURE SWITCH
L.3670	INYECTOR INOX BARISTA	INJECTOR INOX BARISTA



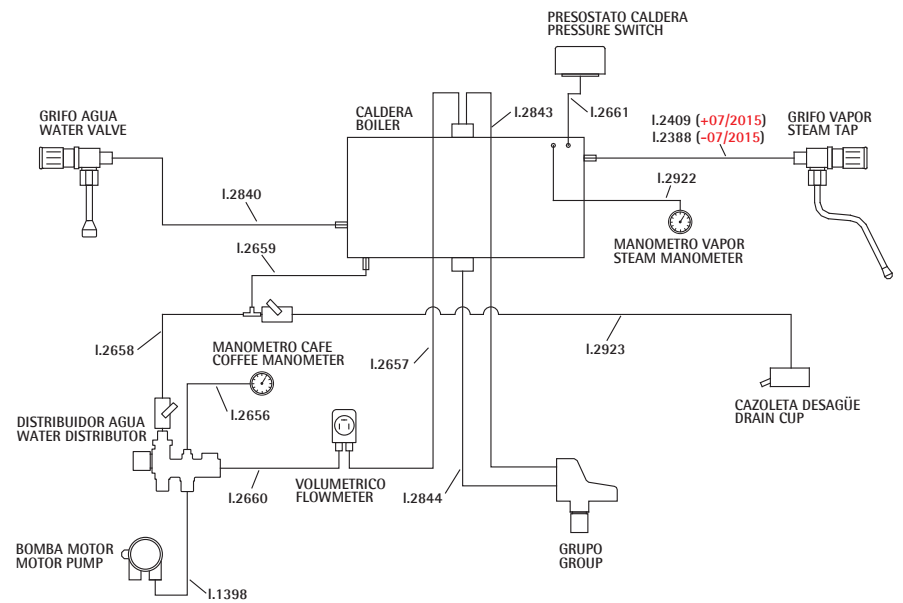


REF.	DESCRIPCIÓN	DESCRIPTION
ESC307	CALDERA AGUA-VAPOR B. PRO 230V	230V 3GR BOILER
ESC327	CALDERA AGUA-VAPOR B. PRO 380V	380V 3GR BOILER
I..132	TORNILLO M5x8 INOX	INOX SCREW
I..276	TUERCA RESISTENCIA M8 INOX	INOX M8 RESISTANCE NUT
I..848	ARANDELA RESISTENCIA M8 INOX	INOX M8 RESISTANCE WASHER
I..990	VALVULA VACIO BAR	BAR EMPTY VALVE
I.1049	RACOR CODO 5020 1/4	BEND FITTING 5020 1/4
I.1056	TAPON 1/4" NIQUEL	CAP 1/4"
I.1061	GRIFO BOLA 1/4m-1/4h BAR	BAR SOLENOID BALL M/H
I.1143	RECOGE AGUA CALDERA BAR	BAR TRAY WATER BOILER
I.1227	TORICA 37.69 X 3.53 SILICONA	SILICONE RING 37.69 X 3.53
I.1327	RESISTENCIA BARISTA 4500W 230V	RESISTANCE BARISTA 4500W 230V
I.1371	TAPA PROTECTOR RESISTENCIA	RESISTANCE PROTECTOR LID
I.1618	SONDA NIVEL 150mm	150mm LEVEL PROBE
I.1619	VALVULA SEGURIDAD 3/8	SAFETY VALVE 3/8
I.1620	CODO INFERIOR CALDERA	BOILER LOWER ELBOW
I.1621	RACOR TE SUPERIOR CALDERA	BOILER UPPER T
I.1625	CALDERA 18 LIT. 3 GRUPOS	3GR 18 LITERS BOILER
I.1628	TUBO TEFLON 2x4 (70mm)	INJECTOR 70mm 2x4 TEFLON
I.1631	INYECTOR TEFLON	TEFLON INJECTOR
I.1632	TUERCA ESPECIAL RESISTENCIA INOX	INOX RESISTANCE SPECIAL NUT
I.1649	CAZOLETA VALVULA SEGURIDAD	SAFETY VALVE TANK
I.1665	RACOR PROLONGACION SALIDA AGUA	WATER OUTLET FITTING
I.1701	RESISTENCIA 3GR 5500W 18LT	18LT 5500W 3GR RESISTANCE
I.1786	TUBO ENTRADA COBRE CALDERA BAR	BOILER COPPER INLET PIPE
I.2361	RACOR INYECTOR 1/4"- 1/8"	INJECTOR FITTING 1/4"-1/8"
I.2365	RACOR CALDERA 1/4"	FITTING BOILER 1/4"
I.2399	JUNTA COBRE 1/4"	COPPER JOINT 1/4"
I.2415	RACOR CODO 1/4"	ELBOW FITTING 1/4"
I.2497	TUBO RETORNO COBRE CALDERA	BOILER COOPER RETURN PIPE
I.2612	PRESOSTATO SIRAI	SIRAI PRESSURE SWITCH
I.3670	INYECTOR INOX BARISTA	INJECTOR INOX BARISTA

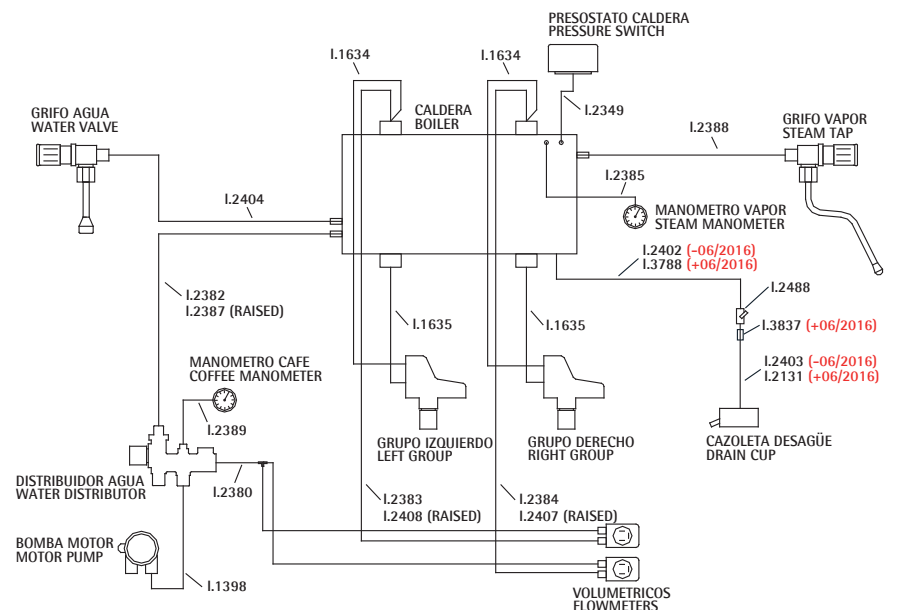


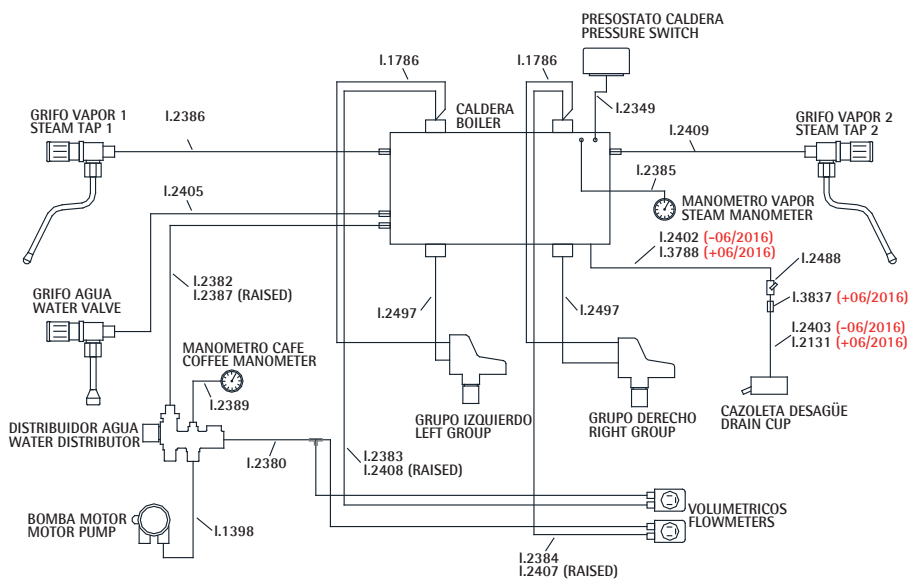
REF.	DESCRIPCIÓN	DESCRIPTION
ESC307	CALDERA AGUA-VAPOR B. PRO 230V	230V 3GR BARISTA PRO WATER-STEAM
ESC327	CALDERA AGUA-VAPOR B. PRO 380V	380V 3GR BARISTA PRO WATER-STEAM
I..132	TORNILLO M5x8 INOX	SCREW M5x8 INOX
I..276	TUERCA RESISTENCIA M8 INOX	INOX M8 RESISTANCE NUT
I..848	ARANDELA PLANA M8 INOX	INOX M8 FLAT WASHER
I..990	VALVULA VACIO BAR	BAR EMPTY SOLENOID
I.1049	RACOR CODO 5020 1/4	BEND FITTING 5020 1/4
I.1056	TAPON 1/4"	CAP 1/4"
I.1143	CAZOLETA VALVULA VACIO	BAR TRAY WATER BOILER
I.1227	TORICA 37.69 X 3.53 SILICONA	SILICONE RING 37.69 X 3.53
I.1327	RESISTENCIA BARISTA PRO 5500W 230V	5500W 230V B.PRO RESISTANCE
I.1371	TAPA PROTECTOR RESISTENCIA	RESISTANCE PROTECTOR LID
I.1618	SONDA NIVEL 150mm	150mm LEVEL PROBE
I.1619	VALVULA SEGURIDAD 3/8	SAFETY VALVE 3/8
I.1620	CODO INFERIOR CALDERA	BOILER LOWER ELBOW
I.1621	TE SUPERIOR CALDERA	BOILER UPPER T
I.1625	CALDERA 18 LITROS 3GR	3GR 18 LITERS BOILER
I.1628	TUBO TEFLON 2x4mm 70mm INYECTOR	BARISTA INJECTOR 70mm 2x4 TEFLON
I.1631	INYECTOR TEFLON	TEFLON INJECTOR
I.1632	TUERCA ESPECIAL RESISTENCIA INOX	INOX RESISTANCE SPECIAL NUT
I.1649	CAZOLETA VALVULA SEGURIDAD	SAFETY VALVE TANK
I.1665	RACOR PROLONGACION SALIDA AGUA	WATER OUTLET EXTENSION FITTING
I.1701	RESISTENCIA BARISTA PRO 5500W 380V	380V 3500W 2GR RESISTANCE
I.1786	TUBO ENTRADA COBRE CALDERA BARISTA	BARISTA PRO BOILER COPPER INLET
I.2361	RACOR INYECTOR 1/4 - 1/8	FITTING INJECTOR 1/4 - 1/8
I.2365	RACOR CALDERA 1/4	FITTING BOILER 1/4
I.2399	JUNTA COBRE 1/4	COPPER JOINT 1/4
I.2415	RACOR CODO 1/4 AISI 316	BEND FITTING 1/4 AISI 316
I.2448	VALVULA BOLA 1/4 BARISTA	BARISTA SOLENOID BALL 1/4
I.2497	TUBO RETORNO BARISTA PRO	BARISTA PRO RETURN PIPE
I.2612	PRESOSTATO SIRAI	PRESSURE SWICHT SIRAI
I.3670	INYECTOR INOX BARISTA	INJECTOR INOX BARISTA

REF.	DESCRIPCIÓN	DESCRIPTION
I.1398	TUBO FLEXIBLE INOX CON CODO 3/8.	INOX FLEXIBLE TUBE WITH ELBOW 3/8.
I.2388	TUBO GRIFO VAPOR.	VALVE PIPE STEAM.
I.2409	TUBO GRIFO VAPOR DER. BARISTA PRO	DOSIMETER RIGHT PIPE
I.2656	TUBO MANOMETRO BOMBA 1GR.	PUMP MANOMETER PIPE 1GR.
I.2657	TUBO CV A TERMICO 1GR.	PIPE 1GR.
I.2658	TUBO MASSELLO A RACOR CARGA 1GR.	VALVE PIPE 1GR.
I.2659	TUBO RACORD CARGA A CALDERA 1GR.	FITTING BOILER PIPE.
I.2660	TUBO MASSELLO A CV BARISTA 1GR.	VALVE PIPE 1GR.
I.2661	TUBO PRESOSTATO 1GR.	PRESSURE PIPE 1GR.
I.2840	TUBO GRIFO AGUA BARISTA 1GR.	BARISTA VALVE PIPE WATER 1GR.
I.2843	TUBO ENTRADA GRUPO BARISTA 1GR.	BARISTA 1GR INLET WATER PIPE.
I.2844	TUBO RETORNO BARISTA 1GR.	BARISTA 1GR RETURN PIPE.
I.2922	TUBO MANOMETRO CALDERA 1GR.	MANOMETER PIPE BOILER 1GR.
I.2923	TUBO SILICONA 5X8 (270mm).	SILICONE PIPE 5X8 (270mm).

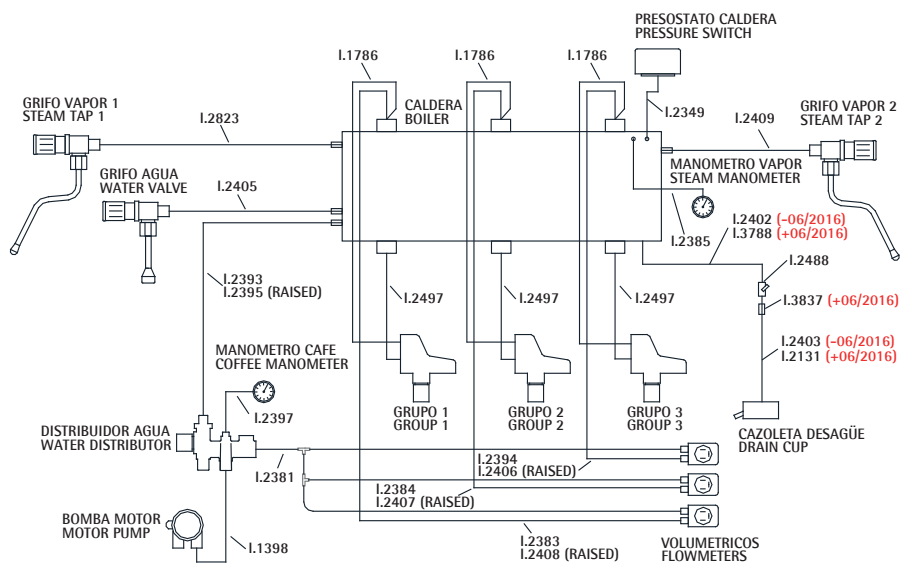


REF.	DESCRIPCIÓN	DESCRIPTION
I.1398	TUBO FLEXIBLE INOX CON CODO 3/8	INOX FLEXIBLE TUBE WITH ELBOW 3/8
I.1634	TUBO ENTRADA COBRE CALDERA BARISTA	BARISTA BOILER COPPER INLET PIPE
I.1635	TUBO RETORNO BARISTA PRO	LOWER GROUP PIPE
I.2131	TUBO SILICONA 11X7 (100mm)	SILICONE PIPE 11X7 (100mm)
I.2349	TUBO PRESOSTATO	PRESSURE PIPE
I.2380	BATERIA 2GR.	PIPE 2GR.
I.2382	TUBO MASELLO-CARGA AGUA 2GR.	PIPE WATER LOAD 2 GROUPS
I.2383	TUBO CONTROL VOL.INYECTOR IZQ.	LEFT PIPE INJECTOR VOL. CONTROL
I.2384	TUBO CONTROL VOL.INYECTOR DER.	RIGHT PIPE INJECTOR VOL. CONTROL
I.2385	TUBO MANOMETRO CALDERA 2GR.	MANOMETER PIPE BOILER 2GR.
I.2387	TUBO MASELLO-CARGA AGUA 2GR. RAISED	PIPE WATER LOAD 2 GR. RAISED
I.2388	TUBO GRIFO VAPOR	VALVE PIPE STEAM
I.2389	TUBO MANOMETRO BOMBA 2GR.	PUMP MANOMETER PIPE 2GR.
I.2402	TUBO CALDERA GRIFO DESAGUE	BOILER PIPE TO VALVE DRAIN
I.2403	TUBO GRIFO DESAGUE BARISTA	VALVE PIPE DRAIN
I.2404	TUBO GRIFO AGUA BARISTA	BARISTA VALVE PIPE WATER
I.2407	TUBO CONTROL VOL.INYECTOR DER. RAISED	RIGHT PIPE INY. VOL. CONTROL RAISED
I.2408	TUBO CONTROL VOL.INYECTOR IZQ. RAISED	LEFT PIPE INY. VOL. CONTROL RAISED
I.2448	VALVULA BOLA 1/4 BARISTA	BARISTA SOLENOID BALL 1/4
I.3788	TUBO VACIADO CALDERA BARISTA	DRAIN BOILER PIPE
I.3837	ESPIGA HEMBRA 7 1/4	FITTING



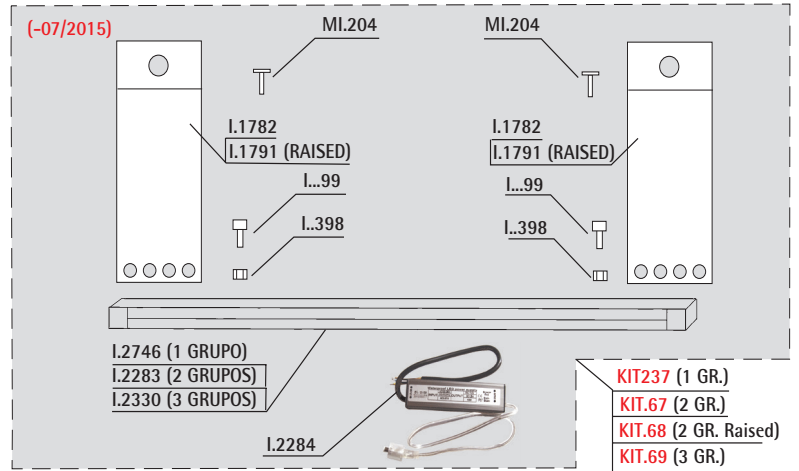


REF.	DESCRIPCIÓN	DESCRIPTION
I.1398	TUBO FLEXIBLE INOX CON CODO 3/8	INOX FLEXIBLE TUBE WITH ELBOW 3/8
I.1786	TUBO ENTRADA COBRE CALDERA B. PRO	B. PRO BOILER COPPER INLET PIPE
I.2131	TUBO SILICONA 11X7 (100mm)	SILICONE PIPE 11X7 (100mm)
I.2349	TUBO PRESOSTATO	PRESSURE PIPE
I.2380	BATERIA 2GR.	PIPE 2GR.
I.2382	TUBO MASELLO-CARGA AGUA 2GR.	PIPE WATER LOAD 2 GROUPS
I.2383	TUBO CONTROL VOL.INYECTOR IZQ.	LEFT PIPE INJECTOR VOL. CONTROL
I.2384	TUBO CONTROL VOL.INYECTOR DER.	RIGHT PIPE INJECTOR VOL. CONTROL
I.2385	TUBO MANOMETRO CALDERA 2GR.	MANOMETER PIPE BOILER 2GR.
I.2386	TUBO GRIFO IZQUIERDO VAPOR	VALVE PIPE LEFT STEAM B.PRO 2GR.
I.2387	TUBO MASELLO-CARGA AGUA 2GR.	PIPE WATER LOAD 2 GROUPS
I.2389	TUBO MANOMETRO BOMBA 2GR.	PUMP MANOMETER PIPE 2GR.
I.2402	TUBO CALDERA GRIFO DESAGUE	BOILER PIPE TO VALVE DRAIN
I.2403	TUBO GRIFO DESAGUE BARISTA	VALVE PIPE DRAIN
I.2405	TUBO GRIFO AGUA BARISTA PRO	VALVE STEAM PIPE BARISTA PRO
I.2407	TUBO CONTROL VOL.INYECTOR DER.	RIGHT PIPE INJECTOR VOL. CONTROL
I.2408	TUBO CONTROL VOL.INYECTOR IZQ.	LEFT PIPE INJECTOR VOL. CONTROL
I.2409	TUBO GRIFO DERECHO VAPOR	VALVE PIPE RIGHT STEAM
I.2448	VALVULA BOLA 1/4 BARISTA	BARISTA SOLENOID BALL 1/4
I.2497	TUBO RETORNO BARISTA PRO	LOWER GROUP PIPE
I.3788	TUBO VACIADO CALDERA BARISTA	DRAIN BOILER PIPE
I.3837	ESPIGA HEMBRA 7 1/4	FITTING

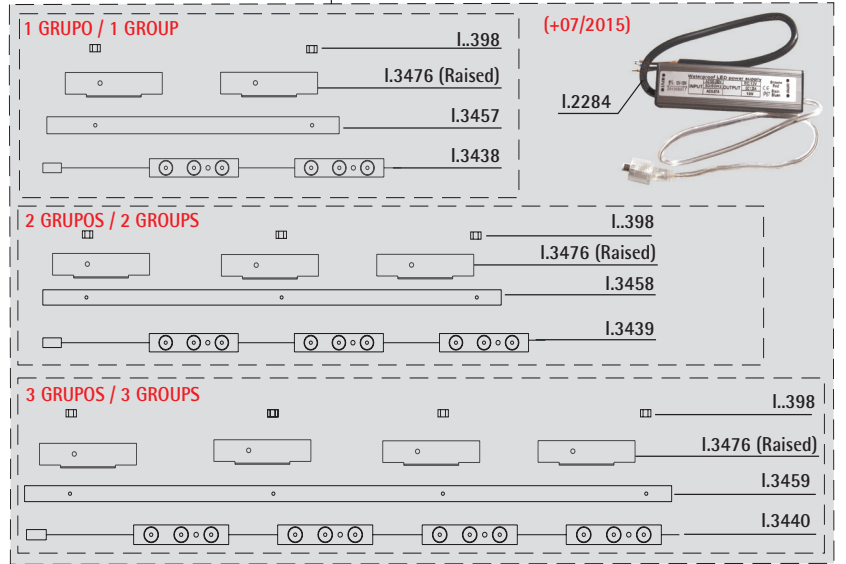


REF.	DESCRIPCIÓN	DESCRIPTION
I.1398	TUBO FLEXIBLE INOX CON CODO 3/8	INOX FLEXIBLE TUBE WITH ELBOW 3/8
I.1786	TUBO ENTRADA COBRE CALDERA B. PRO	B. PRO BOILER COPPER INLET PIPE
I.2131	TUBO SILICONA 11X7 (100mm)	SILICONE PIPE 11X7 (100mm)
I.2349	TUBO PRESOSTATO	PRESSURE PIPE
I.2381	BATERIA 3GR.	PIPE 3GR.
I.2383	TUBO CONTROL VOL.INYECTOR IZQ.	LEFT PIPE INJECTOR VOL. CONTROL
I.2384	TUBO CONTROL VOL.INYECTOR DER.	RIGHT PIPE INJECTOR VOL. CONTROL
I.2385	TUBO MANOMETRO CALDERA 2GR.	MANOMETER PIPE BOILER 2GR.
I.2393	TUBO MASELLO-CARGA AGUA 3GR.	PIPE WATER LOAD 3 GROUPS
I.2394	TUBO CONTROL VOL.INYECTOR DER.	RIGHT PIPE INJECTOR VOL. CONTROL
I.2395	TUBO MASELLO-CARGA AGUA 3GR.	PIPE WATER LOAD 3 GROUPS
I.2397	TUBO MANOMETRO BOMBA 3GR.	PUMP MANOMETER PIPE 3GR.
I.2402	TUBO CALDERA GRIFO DESAGUE	BOILER PIPE TO VALVE DRAIN
I.2403	TUBO GRIFO DESAGUE BARISTA	VALVE PIPE DRAIN
I.2405	TUBO GRIFO AGUA BARISTA PRO	VALVE STEAM PIPE BARISTA PRO
I.2406	TUBO CONTROL VOL.INYECTOR DER.	RIGHT PIPE INJECTOR VOL. CONTROL
I.2407	TUBO CONTROL VOL.INYECTOR DER.	RIGHT PIPE INJECTOR VOL. CONTROL
I.2408	TUBO CONTROL VOL.INYECTOR IZQ.	LEFT PIPE INJECTOR VOL. CONTROL
I.2409	TUBO GRIFO DERECHO VAPOR	VALVE PIPE RIGHT STEAM
I.2448	VALVULA BOLA 1/4 BARISTA	BARISTA SOLENOID BALL 1/4
I.2497	TUBO RETORNO BARISTA PRO	LOWER GROUP PIPE
I.2823	TUBO GRIFO IZQUIERDO VAPOR	VALVE PIPE LEFT STEAM B.PRO 3GR.
I.3788	TUBO VACIADO CALDERA BARISTA	DRAIN BOILER PIPE
I.3837	ESPIGA HEMBRA 7 1/4	FITTING

REF.	DESCRIPCIÓN	DESCRIPTION
I...99	TORNILLO M3x8mm INOX	M3x8 INOX SCREW
I..398	TUERCA AUTOBLOCANTE M3 INOX	M3 NUT
I.1782	SOPORTE LED BARISTA	BARISTA LED SUPPORT
I.1791	SOPORTE LED BARISTA RAISED	RAISED BARISTA LED SUPPORT
I.2283	TIRA LED LUZ FRIA 600mm BARISTA 2GR	600mm 2GR COLD LIGHT LED STRIP
I.2284	TRANSF. LED BARISTA 230V (DC12V/18W)	230V (DC12V/18W)BARISTA LED TRANSF.
I.2330	TIRA LED LUZ FRIA 750mm BARISTA 3GR	750mm 3GR COLD LIGHT LED STRIP
I.2746	TIRA LED LUZ FRIA 375mm BARISTA 1GR	375mm 1GR COLD LIGHT LED STRIP
I.3438	ILUMINACION BARISTA 1GR	LIGHTING BARISTA 1GR
I.3439	ILUMINACION BARISTA 2GR	LIGHTING BARISTA 2GR
I.3440	ILUMINACION BARISTA 3GR	LIGHTING BARISTA 3GR
I.3457	TAPA LED BARISTA 1GR 2015	BARISTA 1GR 2015 CAP LED
I.3458	TAPA LED BARISTA 2GR 2015	BARISTA 2GR 2015 CAP LED
I.3459	TAPA LED BARISTA 3GR 2015	BARISTA 3GR 2015 CAP LED
I.3476	TAPA LED BARISTA RAISED 2015	BARISTA RAISED 2015 CAP LED
KIT.67	KIT LED BARISTA 230V	230V BARISTA LED KIT
KIT.68	KIT LED BARISTA RAISED 230V	230V RAISED BARISTA LED KIT
KIT.69	KIT LED BARISTA 3GR 230V	230V 3GR BARISTA LED KIT
KIT237	KIT LED BARISTA 1GR 230V	230V 1GR BARISTA LED KIT
KIT240	KIT LED BARISTA 1GR 230V 2015	230V 1GR BARISTA LED KIT 2015
KIT241	KIT LED BARISTA 2GR 230V 2015	230V 2GR BARISTA LED KIT 2015
KIT242	KIT LED BARISTA 3GR 230V 2015	230V 3GR BARISTA LED KIT 2015
KIT243	KIT LED BARISTA RAISED 1GR 230V 2015	230V 1GR B. RAISED LED KIT 2015
KIT244	KIT LED BARISTA RAISED 2GR 230V 2015	230V 2GR B. RAISED LED KIT 2015
KIT245	KIT LED BARISTA RAISED 3GR 230V 2015	230V 3GR B. RAISED LED KIT 2015
MI.204	TORNILLO M4x10mm INOX	M4x10 INOX SCREW



KIT240 (1 GR.)	KIT241 (2 GR.)	KIT242 (3 GR.)
KIT243 (1 GR. Raised)	KIT244 (2 GR. Raised)	KIT245 (3 GR. Raised)



REF.	DESCRIPCIÓN	DESCRIPTION
I.2631	BRIDA ADHESIVA KAP	ADHESIVE FLANGE KAP
I.3938	TUERCA CON ALAS M3	WING NUT M3
I.4096	TAPA LED BARISTA 1GR 2017	LED CAP BARISTA 1GR 2017
I.4097	TAPA LED BARISTA 2GR 2017	LED CAP BARISTA 2GR 2017
I.4099	TAPA LED BARISTA 2GR 2017 JOYSTICK	LED CAP BARISTA 2GR 2017 JOYSTICK
I.4100	TAPA LED BAR/BARISTA RAISED 2017	LED CAP BARISTA RAISED 2017
I.4104	LED CAP BARISTA 1GR 2017	LIGHTING BARISTA 1GR 2017
I.4105	ILUMINACION BARISTA 2GR 2017	LIGHTING BARISTA 2GR 2017
I.4106	ILUMINACION BARISTA 3GR 2017	LIGHTING BARISTA 3GR 2017
I.4107	ILUMINACION BARISTA 2GR JOYSTICK 2017	LIGHTING BARISTA 2GR JOYSTICK 2017
I.4301	TORNILLO SR 1972 NYLON 6.6 NATURAL	NATURAL NYLON SCREW 6.6 SR1972
KIT268	KIT LED BARISTA 1GR 230V 2017	230V 1GR BARISTA LED KIT 2017
KIT269	KIT LED BARISTA RAISED 1GR 230V 2017	230V 1GR B. RAISED LED KIT 2017
KIT270	KIT LED BARISTA 2GR 230V 2017	230V 2GR BARISTA LED KIT 2017
KIT271	KIT LED BARISTA 2GR 230V 2017 JOYSTICK	230V GR B. LED KIT 2017 JOYSTICK
KIT272	KIT LED BARISTA RAISED 2GR 230V 2017	230V 2GR B. RAISED LED KIT 2017
KIT274	KIT LED BARISTA 3GR 230V 2017	230V 3GR BARISTA LED KIT 2017

KIT268 (1 GR.)	KIT270 (2 GR.)	KIT272 (2 GR. Raised)
KIT269 (1 GR. Raised)	KIT271 (2 GR. Joystick)	KIT274 (3 GR / 3GR. Raised)

