

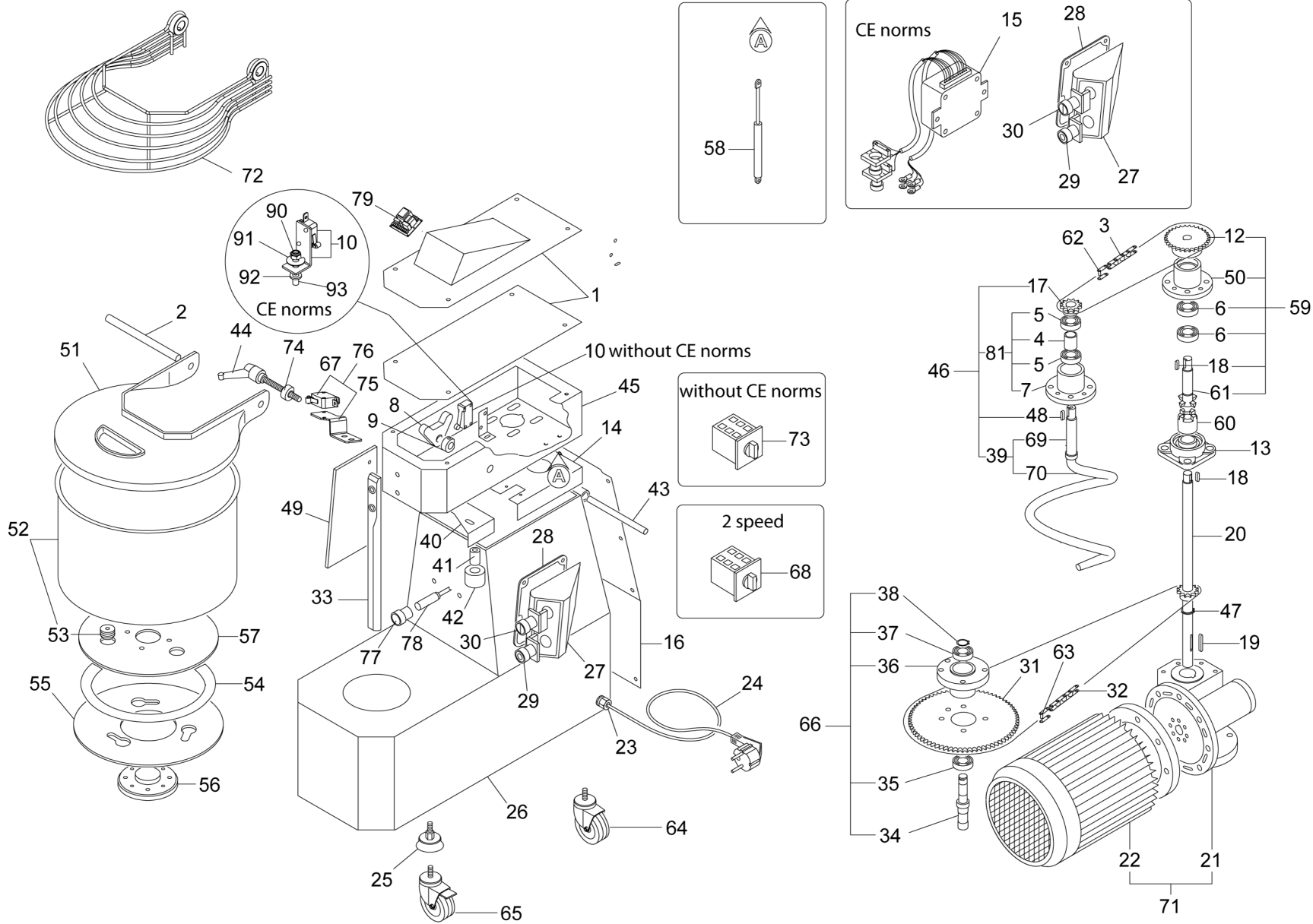


TAVOLA RICAMBI SPARE PARTS

im25-38cns-fn
0

SPEC.	N.	CODE	DENOMINAZIONE - DENOMINATION
(38FN-CNS)	1	SL0062	Coperchio - Cover
(25FN-CNS)	1	SL3334	Coperchio - Cover
Timer digitale (25FN-CNS)	1	SL4144	Coperchio - Cover
Timer digitale (38FN-CNS)	1	SL4145	Coperchio - Cover
	2	SL0076	Perno - Pivot
01/04/07 f.p.(*) (38FN-CNS)	3	SL2684	Catena - Chain
1/2"x5/16" (25FN-CNS)	* 3	SL3365	Catena - Chain
1/2"x5/16" (38FN-CNS)	* 3	SL3438	Catena - Chain
a matr. 151102948 f.p.(*)	4	SL3264	Distanziale - Spacer
da matr. 151102949 13/11/15	4	SL4256	Distanziale - Spacer
6205 2RS a matr.151102948 f.p.(*)	5	SL0118	Cuscinetto - Bearing
6304 2RS da matr.151102949	5	SL3194	Cuscinetto - Bearing
6005 2RS	6	SL0241	Cuscinetto - Bearing
	7	SL3261	Supporto - Support
	8	SL0035	Battuta - Stop
	9	SL0036	Camma - Cam
CE norms da matr.190503100	* 10	SA1158	Microinterruttore - Microswitch
EXCE norms, 1Ph	10	SL2701	Microinterruttore - Microswitch
EXCE norms, 3Ph da matr.191105456	10	SL4409	Microinterruttore - Microswitch
1/2"x5/16" Z=29	12	SL0084	Pignone - Pinion
UCF205	13	SL0086	Supporto - Support
01/04/07 f.p.(*) (38FN-CNS)	14	SL2606	Coperchio - Cover
(25FN-CNS)	14	SL3335	Coperchio - Cover
(38FN-CNS)	14	SL3441	Coperchio - Cover
400V/3Ph/50Hz	* 15	SA1210	Impianto elettrico - Electric installation
230V/1Ph/50Hz	* 15	SA1220	Impianto elettrico - Electric installation
230V/1Ph/50Hz timer dig. (25-38)	* 15	SL0987	Impianto elettrico - Electric installation
400V/3Ph/50Hz timer dig. (25-38)	* 15	SL0988	Impianto elettrico - Electric installation
(38FN-CNS)	16	SL2849	Coperchio - Cover
(25FN-CNS)	16	SL3367	Coperchio - Cover
a matr.151102948 f.p.(*) 12/11/15	17	SL3265	Pignone - Pinion
1/2"x5/16" Z=15 matr.151102948	17	SL4255	Pignone - Pinion
6x6x25	18	SL1056	Linguetta - Key
8x7x40	19	SL3410	Linguetta - Key
	20	SA1024	Albero - Shaft
01/04/07 f.p.(*) (38FN-CNS)	20	SA1025	Albero - Shaft
	21	SL3338	Riduttore - Gear box
230V/1Ph/50Hz	22	SL3214	Motore - Motor
400V/3Ph/50Hz	22	SL3311	Motore - Motor

*Ricambio consigliato - Advised spare parts



POS. CODE

1	SL0062
1	SL3334
1	SL4144
1	SL4145
2	SL0076
3	SL2684
3	SL3365
3	SL3438
4	SL3264
4	SL4256
5	SL0118
5	SL3194
6	SL0241
7	SL3261
8	SL0035
9	SL0036
10	SA1158
10	SL2701
10	SL4409
12	SL0084
13	SL0086
14	SL2606
14	SL3335
14	SL3441
15	SA1210
15	SA1220
15	SL0987
15	SL0988
16	SL2849
16	SL3367
17	SL3265
17	SL4255
18	SL1056
19	SL3410
20	SA1024
20	SA1025
21	SL3338
22	SL3214
22	SL3311

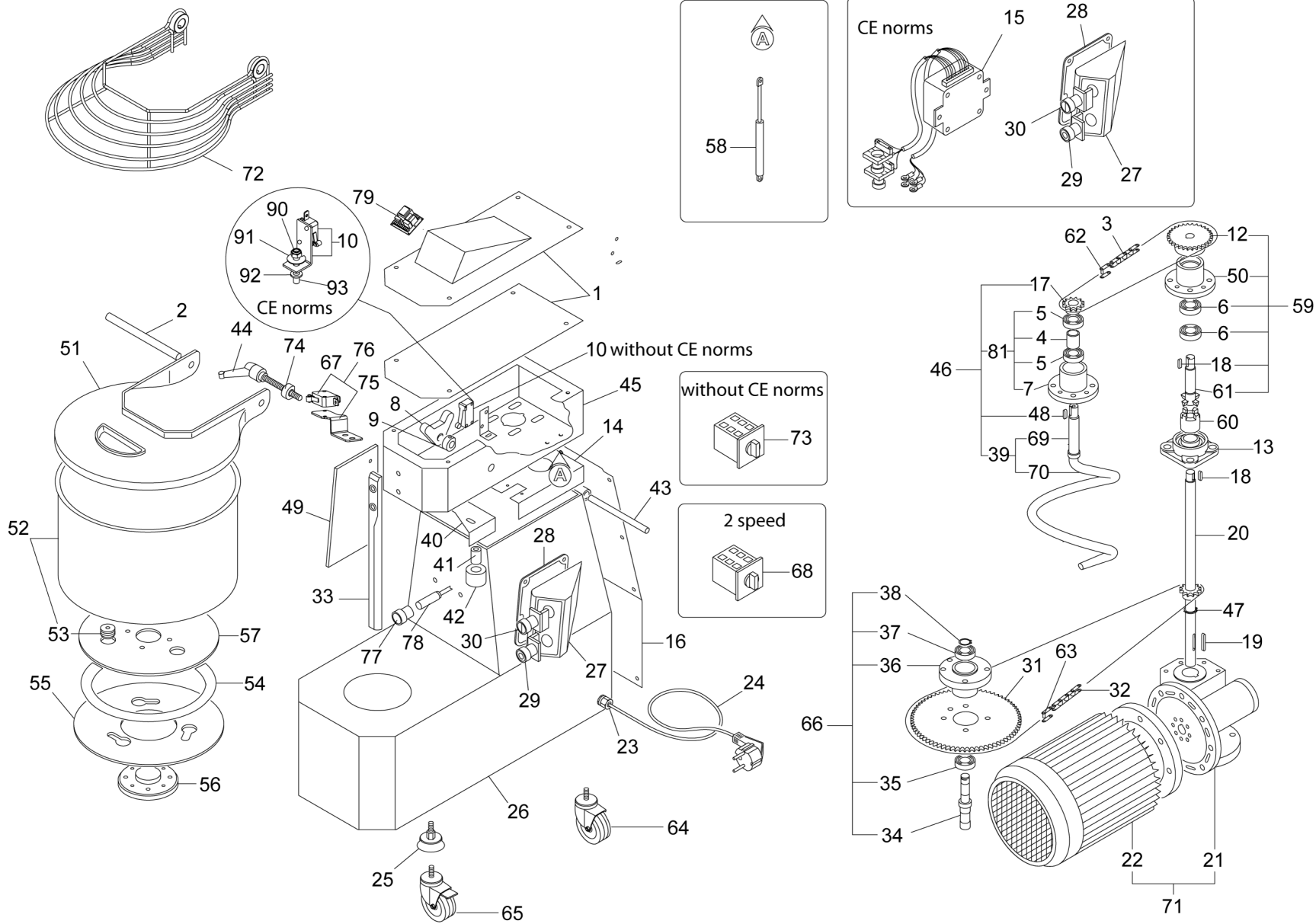


TAVOLA RICAMBI SPARE PARTS

im25-38cns-fn
0

SPEC.	N.	CODE	DENOMINAZIONE - DENOMINATION
400V/3Ph/50Hz (2 speed)	22	SL3315	Motore - Motor
PG11	23	SL1668	Pressacavo - Cable clamp
1Ph+N+Gnd	24	SL1671	Cavo elettrico - Electric cable
3Ph+Gnd	24	SL1841	Cavo elettrico - Electric cable
	* 25	SL3361	Piedino - Foot
(25FN-CNS)	26	SL3332	Base - Base
01/04/07 f.p.(*) (38FN-CNS)	26	SL3359	Base - Base
(38FN-CNS)	26	SL3437	Base - Base
	27	SL0937	Scatola - Box
	28	SL0396	Guarnizione - Gasket
Stop	* 29	SL0807	Pulsante - Push button
Start	* 30	SL1049	Pulsante - Push button
3/8"x7/32" Z=85	31	SL0100	Corona - Crown
01/04/07 f.p.(*) (38FN-CNS)	* 32	SL2686	Catena - Chain
3/8"x7/32"	* 32	SL3366	Catena - Chain
	33	SL3371	Asta - Rod
	34	SL0072	Albero - Shaft
6004 ZZ	35	SL0073	Cuscinetto - Bearing
	36	SL0074	Supporto - Support
3204	37	SL0103	Cuscinetto - Bearing
ø20	38	SL0075	Seeger - Seeger
a matr. 151102948 f.p.(*)	39	SA1030	Spirale - Spiral
da matr. 151102949 13/11/15	* 39	SL3262	Spirale - Spiral
(25FN-CNS)	40	SL2604	Staffa - Bracket
(38FN-CNS)	40	SL2605	Staffa - Bracket
	41	SL1090	Distanziale - Spacer
	* 42	SL2655	Ruota - Wheel
	43	SL2625	Perno - Pivot
	* 44	SL2630	Leva - Lever
01/04/07 f.p.(*) (38FN-CNS)	45	SL2577	Testata - Head
(25FN-CNS)	45	SL3333	Testata - Head
(38FN-CNS)	45	SL3435	Testata - Head
da matr. 151102949 13/11/15	46	SA1129	Supporto - Support
Ø25	47	SL1616	Seeger - Seeger
8x7x18	48	SL3408	Linguetta - Key
(25FN-CNS)	49	SL4112	Protezione - Protection
(38FN-CNS)	49	SL4113	Protezione - Protection
	50	SL2627	Supporto - Support
Plastic (25FN-CNS)	51	SA1006	Coperchio - Cover
Plastic (38FN-CNS)	51	SA1007	Coperchio - Cover

*Ricambio consigliato - Advised spare parts



POS. CODE

22	SL3315
23	SL1668
24	SL1671
24	SL1841
25	SL3361
26	SL3332
26	SL3359
26	SL3437
27	SL0937
28	SL0396
29	SL0807
30	SL1049
31	SL0100
32	SL2686
32	SL3366
33	SL3371
34	SL0072
35	SL0073
36	SL0074
37	SL0103
38	SL0075
39	SA1030
39	SL3262
40	SL2604
40	SL2605
41	SL1090
42	SL2655
43	SL2625
44	SL2630
45	SL2577
45	SL3333
45	SL3435
46	SA1129
47	SL1616
48	SL3408
49	SL4112
49	SL4113
50	SL2627
51	SA1006
51	SA1007

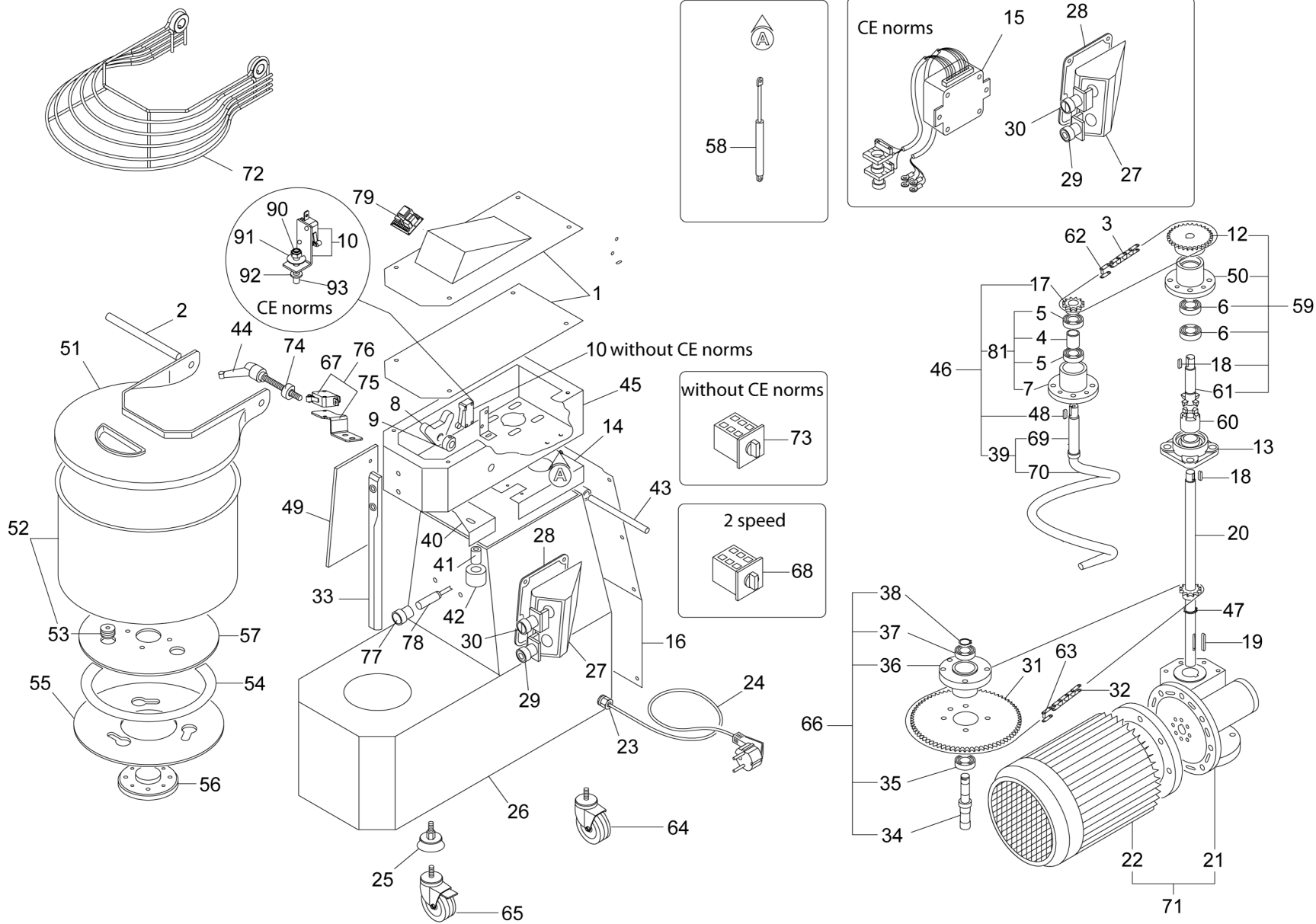


TAVOLA RICAMBI SPARE PARTS

im25-38cns-fn
0

SPEC.	N.	CODE	DENOMINAZIONE - DENOMINATION
(25CNS) Assembly	52	SA1170	Pentola - Pan
(38CNS) Assembly	52	SA1180	Pentola - Pan
(25FN)	52	SL0067	Pentola - Pan
(38FN)	52	SL0068	Pentola - Pan
(25-38CNS)	53	SL2623	Perno - Pivot
(25CNS)	54	SL1034	Guarnizione - Gasket
(38CNS)	54	SL1334	Guarnizione - Gasket
(38CNS)	55	SL2634	Flangia - Flange
(25CNS)	55	SL2637	Flangia - Flange
(25-38CNS)	56	SL2621	Flangia - Flange
(25-38FN)	56	SL2867	Flangia - Flange
(25-38CNS)	57	SL2636	Flangia - Flange
	58	SL2668	Molla - Spring
Assembly	59	SA1047	Supporto - Support
	60	SL3206	Giunto - Joint
	61	SL3204	Albero - Shaft
1/2"x5/16"	62	SL1632	Giunto - Joint
3/8"x7/32"	63	SL1629	Giunto - Joint
ø95 M10x30	64	SL3482	Ruota fissa - Fixed wheel
ø95 M10x30	65	SL3483	Ruota girevole - Revolving wheel
Assembly	66	SA1800	Supporto - Support
CE norms IN 07/12	* 67	SL0885	Microinterruttore - Microswitch
CE norms 07/12 f.p.(*)	67	SL1401	Microinterruttore - Microswitch
2 speed (CE norms)	68	SL2743	Commutatore di velocità - Speed changeover switch
2 speed (without CE norms)	68	SL3760	Commutatore di velocità - Speed changeover switch
a matr.151102948 f.p.(*)	69	SL3266	Albero - Shaft
a matr.151102948 f.p.(*)	70	SL0069	Spirale - Spiral
400V/3Ph/50Hz	71	SL3404	Motoriduttore - Geared motor
230V/1Ph/50Hz	71	SL3405	Motoriduttore - Geared motor
400V/3Ph/50Hz (2 speed)	71	SL3406	Motoriduttore - Geared motor
Stainless steel (25FN-CNS)	72	SL3419	Coperchio - Cover
Stainless steel (38FN-CNS)	72	SL3420	Coperchio - Cover
	* 73	SL0054	Interruttore - Switch
	74	SL4090	Camma - Cam
	75	SL4089	Staffa - Bracket
Assembly	* 76	SA1140	Microinterruttore - Microswitch
(25CNS)	77	SL4119	Protezione - Protection
(38CNS)	77	SL4120	Protezione - Protection
(25-38CNS) Pentola	* 78	SL4103	Sonda - Probe
Timer digitale	79	SL4116	Scheda elettronica - Electronic card

*Ricambio consigliato - Advised spare parts



POS. CODE

52	SA1170
52	SA1180
52	SL0067
52	SL0068
53	SL2623
54	SL1034
54	SL1334
55	SL2634
55	SL2637
56	SL2621
56	SL2867
57	SL2636
58	SL2668
59	SA1047
60	SL3206
61	SL3204
62	SL1632
63	SL1629
64	SL3482
65	SL3483
66	SA1800
67	SL0885
67	SL1401
68	SL2743
68	SL3760
69	SL3266
70	SL0069
71	SL3404
71	SL3405
71	SL3406
72	SL3419
72	SL3420
73	SL0054
74	SL4090
75	SL4089
76	SA1140
77	SL4119
77	SL4120
78	SL4103
79	SL4116



TAVOLA RICAMBI
SPARE PARTS

im25-38cns-fn
0

SPEC.	N.	CODE	DENOMINAZIONE - DENOMINATION	
Timer digitale	80	SL4125	Etichetta - Label	
fino matr.151102948 f.p.(*)	81	SA1029	Supporto - Support	
CE norms	90	3113200	DADO - NUT	
CE norms	91	SL6495	ROSETTA - WASHER	
CE norms fino a matr.190503100	92	SL2062	ROSETTA - WASHER	
CE norms fino a matr.190503100	93	SL6484	GRANO - DOWEL	

*Ricambio consigliato - Advised spare parts

POS. CODE

80	SL4125
81	SA1029
90	3113200
91	SL6495
92	SL2062
93	SL6484

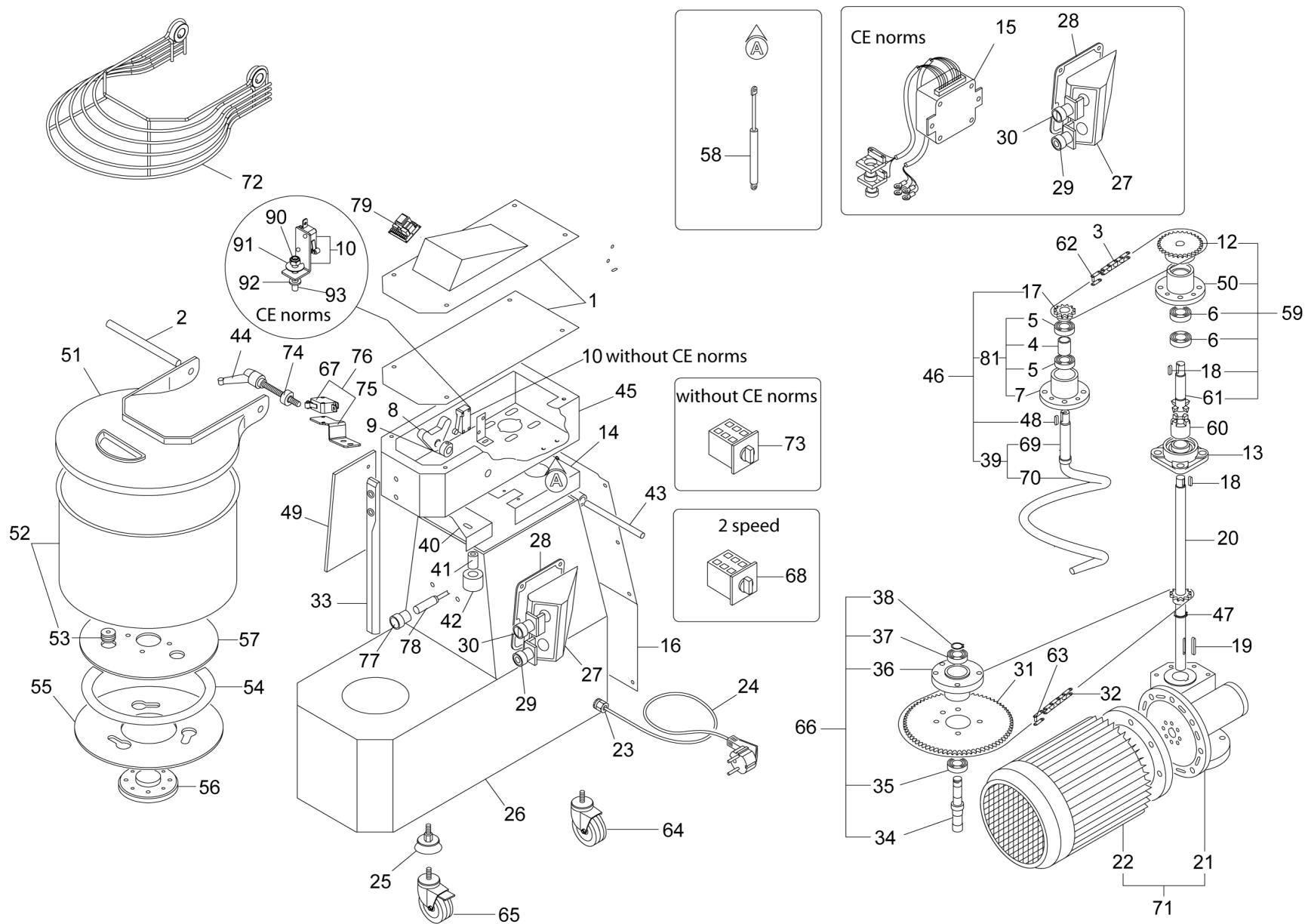


TAVOLA RICAMBI
SPARE PARTS

im25-38cns-fn
0