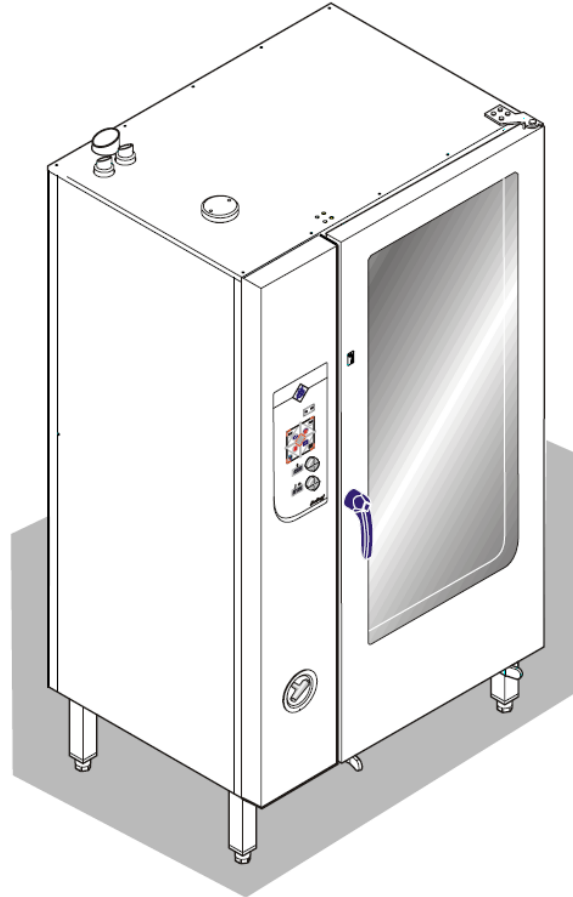


Exploded drawings

Electric and Gas Combisteamer Silver II

European CE-Version



Model	Serial-No. / date	
	From	Up to
C _S XXXXX		
HansDampf 6.x Right hinged	12212149 / Oct. 2012	
HansDampf 6.x Right hinged (ventilated double glass door)	12212480 / Nov. 2012	
HansDampf 6.x Left hinged	12212288 / Nov. 2012	
HansDampf 10.x Right hinged	12211027 / Oct. 2012	
HansDampf 10.x Right hinged (ventilated double glass door)	12211000 / Oct. 2012	
HansDampf 10.x Left hinged	12213195 / Nov. 2012	
HansDampf 20.x Right hinged	12200172 / Jan. 2012	
HansDampf 20.x Left hinged	12200172 / Jan. 2012	

2013/10/07 SEV/KA

New cabinet door and door gasket for 6.x & 10.x

From October 2012 the cabinet door incl. door lock and gasket has been changed stepwise.

Furthermore, the door gasket has been changed. The new one has the same dimensions, but because of the style the gasket is not downward compatible.
Also door lock and collecting tray do not fit into old door types!

Unit type	Previous door seal no.	New door seal no.
6.x	#211094	#10012489
10.x	#211095	#10012490

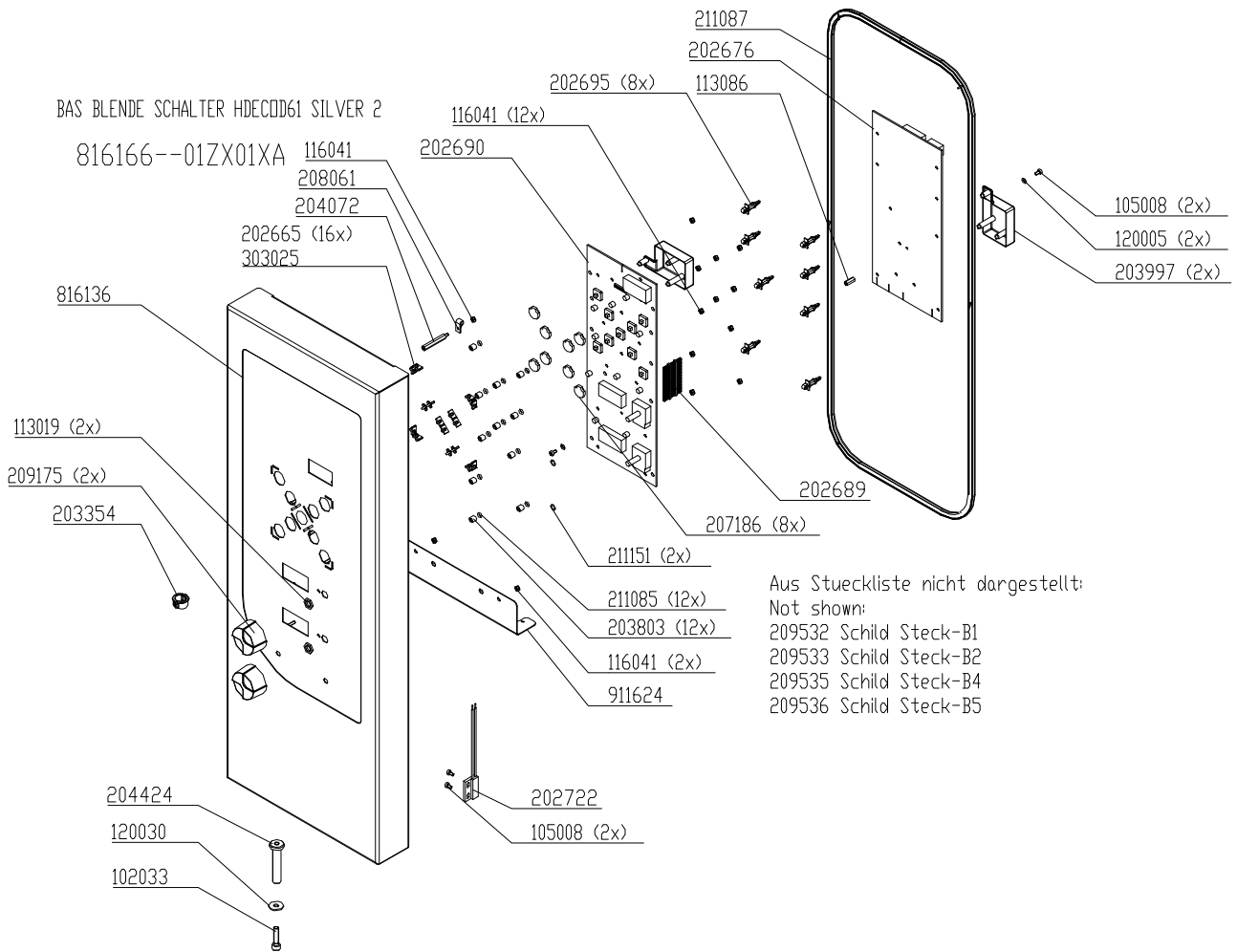
Contents

New cabinet door and door gasket for 6.x & 10.x.....	2
Front panel 6.x Silver2 without hand shower.....	5
Front panel 6.x Silver2 with hand shower.....	6
Front panel 10.x Silver2 without hand shower.....	7
Front panel 10.x Silver2 with hand shower.....	8
Electric assembly 3NPE 400V HD6.1 Silver2.....	9
Electric assembly 3NPE 400V HD6.2 Silver2.....	10
Electric assembly 3NPE 400V HD10.1 Silver2.....	11
Electric assembly 3NPE 400V HD10.2 Silver2.....	12
Gas assembly HD6.1 Silver2.....	13
Gas assembly 6.2 Silver2.....	14
Gas assembly HD10.1 Silver2.....	15
Gas assembly HD10.2 Silver2.....	16
Core temperature probe HD6.x & HD10.x Silver2.....	17
Fresh air assembly 6.x 10.x Silver2.....	18
Supply air area 6.x & 10.x (with hand shower) Silver2.....	19
Supply air area 6.x 10.x (without hand shower) Silver2.....	20
Water assembly with WaveClean 50Hz HD6.x & HD10.x Silver2.....	21
Water assembly with WaveClean 60Hz HD6.x & HD10.x Silver2.....	22
Water assembly without WaveClean HD6.x & HD10.x Silver2.....	23
Chassis 6.x Electric Silver2.....	24
Chassis 10.x Electric Silver2.....	25
Chassis 6.x Gas Silver2.....	26
Chassis 10.x Gas Silver2.....	27
Chassis door area HD6.x electric, right hinged (double glazing).....	28
Chassis door area HD6.x, right hinged (Electric).....	29
Chassis door area HD6.x, left hinged (Electric).....	30
Chassis door area HD10.x electric, right hinged (double glazing).....	31
Chassis door area HD10.x, right hinged (Electric).....	32
Chassis door area HD10.x, left hinged (Electric).....	33
Front panel 20.x Silver2 without hand shower.....	35
Front panel 20.x Silver2 with hand shower.....	36
Electric assembly 3NPE 400V HD20.1 Silver2.....	37
Electric assembly 3NPE 400V HD20.2 Silver2.....	38
Gas assembly HD20.1 Silver2.....	39
Gas assembly HD20.2 Silver2.....	40
Fresh air assembly 20.x Silver2.....	41
Core temperature probe HD20.x Silver2.....	42
Supply air area 20.x (without hand shower) Silver2.....	43
Supply air area 20.x (with hand shower) Silver2.....	44
Water assembly with WaveClean 50Hz HD20.x Silver2.....	45
Water assembly with WaveClean 60Hz HD20.x Silver2.....	46
Water assembly without WaveClean HD20.x Silver2.....	47
Chassis 20.x Electric Silver2.....	48
Chassis 20.x Gas Silver2.....	49
Chassis door area HD20.x electric, right hinged (double glazing).....	50
Chassis door area HD20.x, right hinged (Electric).....	51
Chassis door area HD20.x, left hand hinged (Electric).....	52
Chassis door area HD20.x gas, right hinged (double glazing).....	53
Chassis door area HD20.x, right hinged (Gas).....	54
Chassis door area HD20.x, left hand hinged.....	55

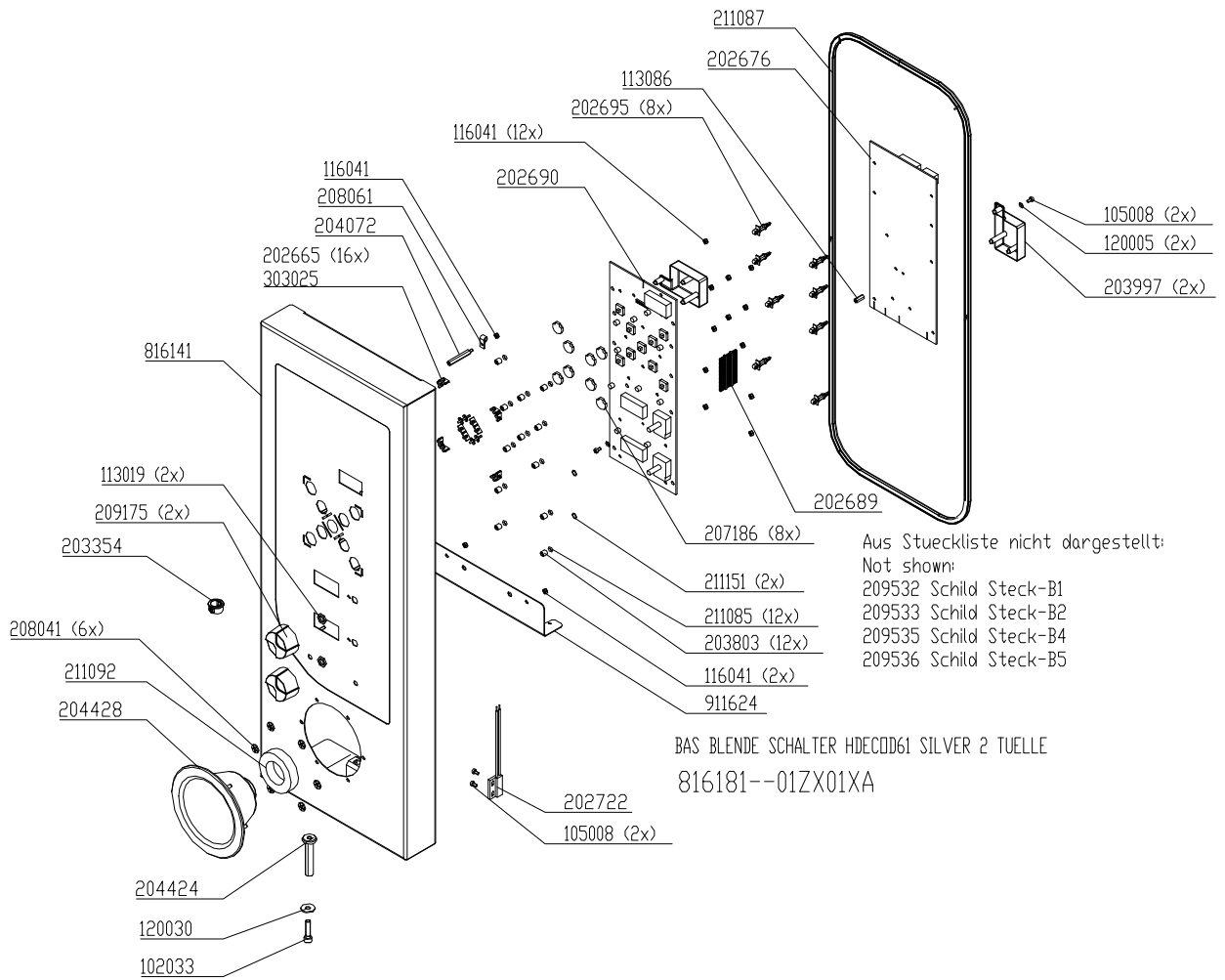
Exploded drawings 6.x & 10.x

Electric & Gas

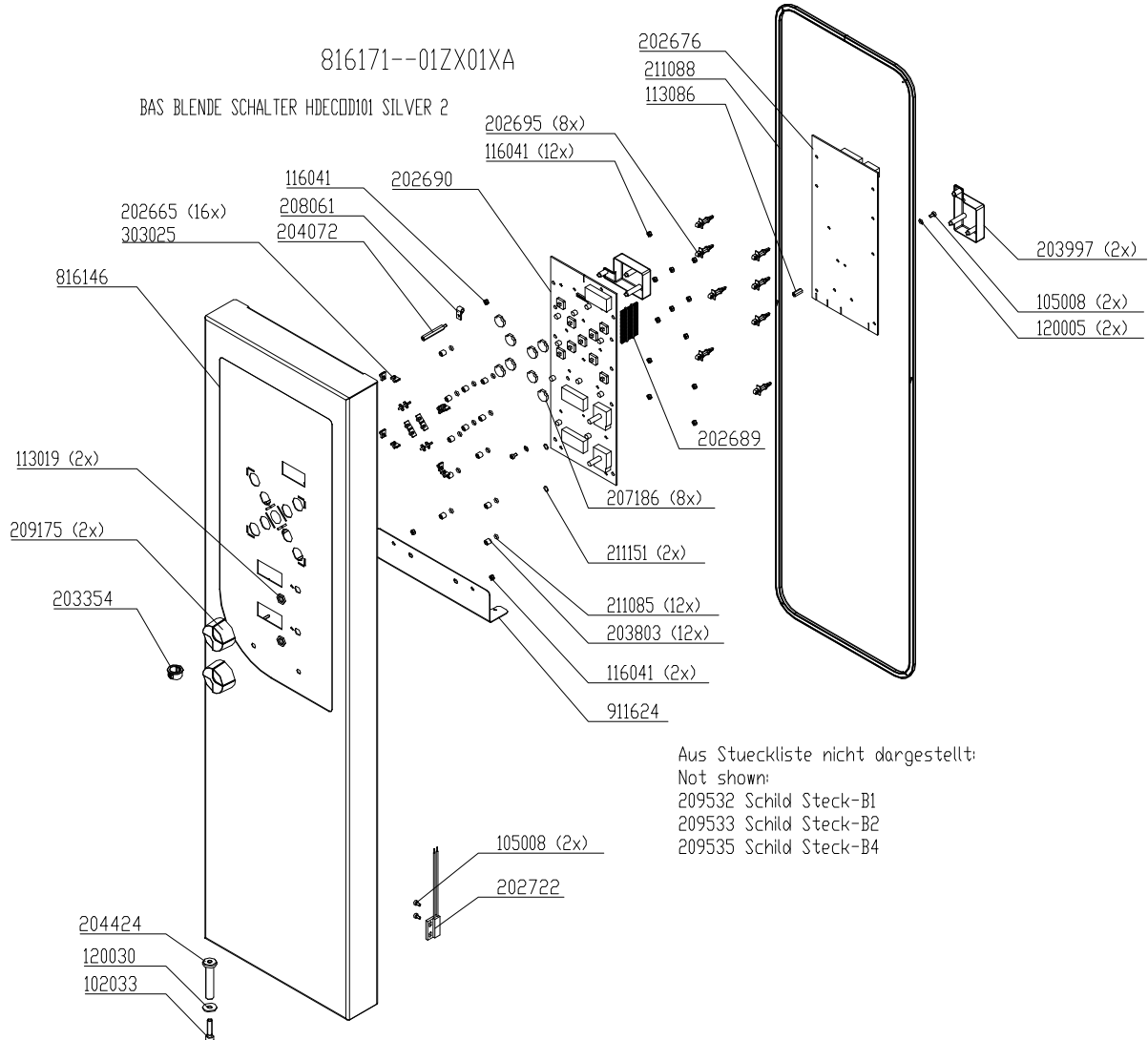
Front panel 6.x Silver2 without hand shower



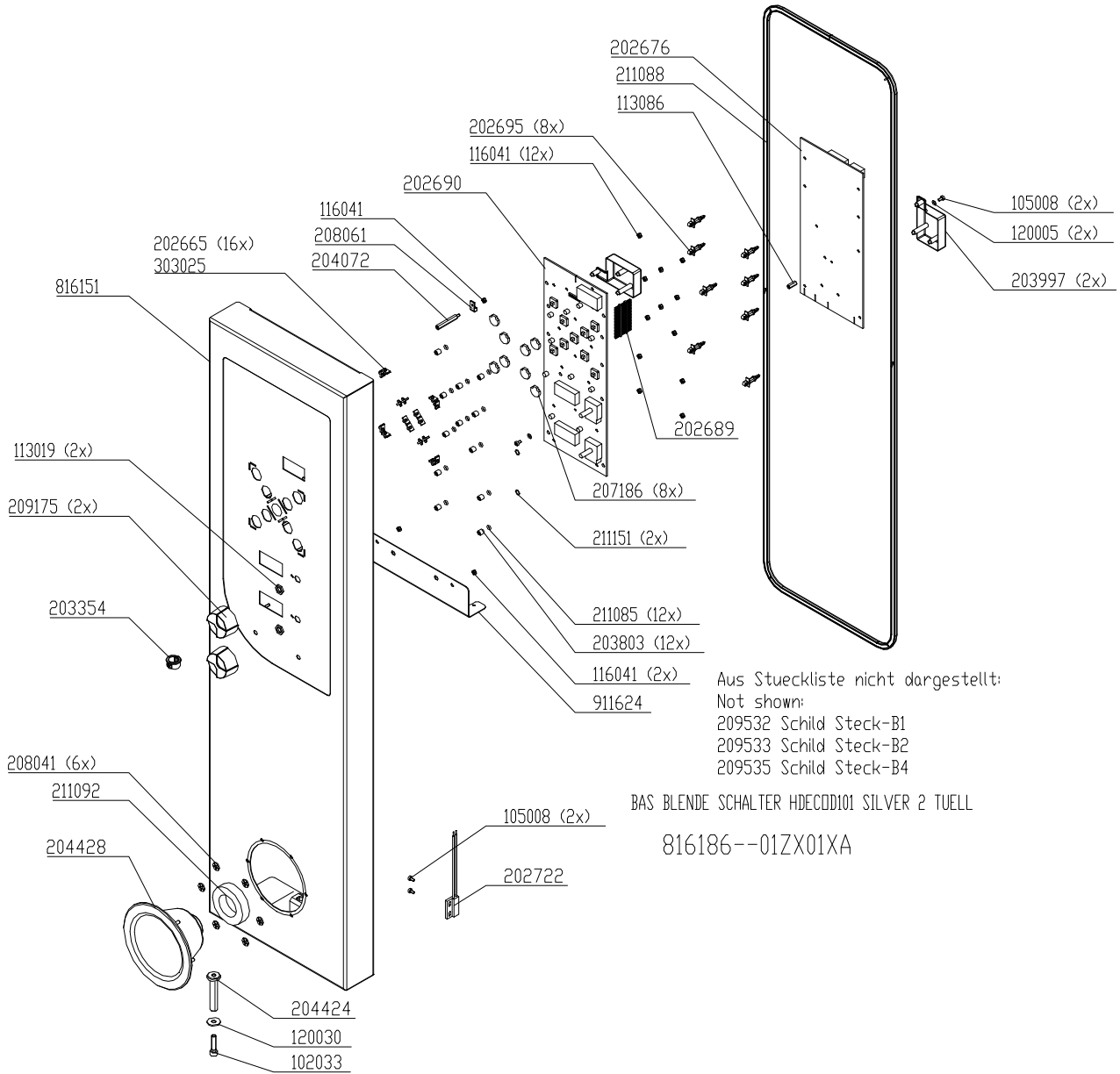
Front panel 6.x Silver2 with hand shower



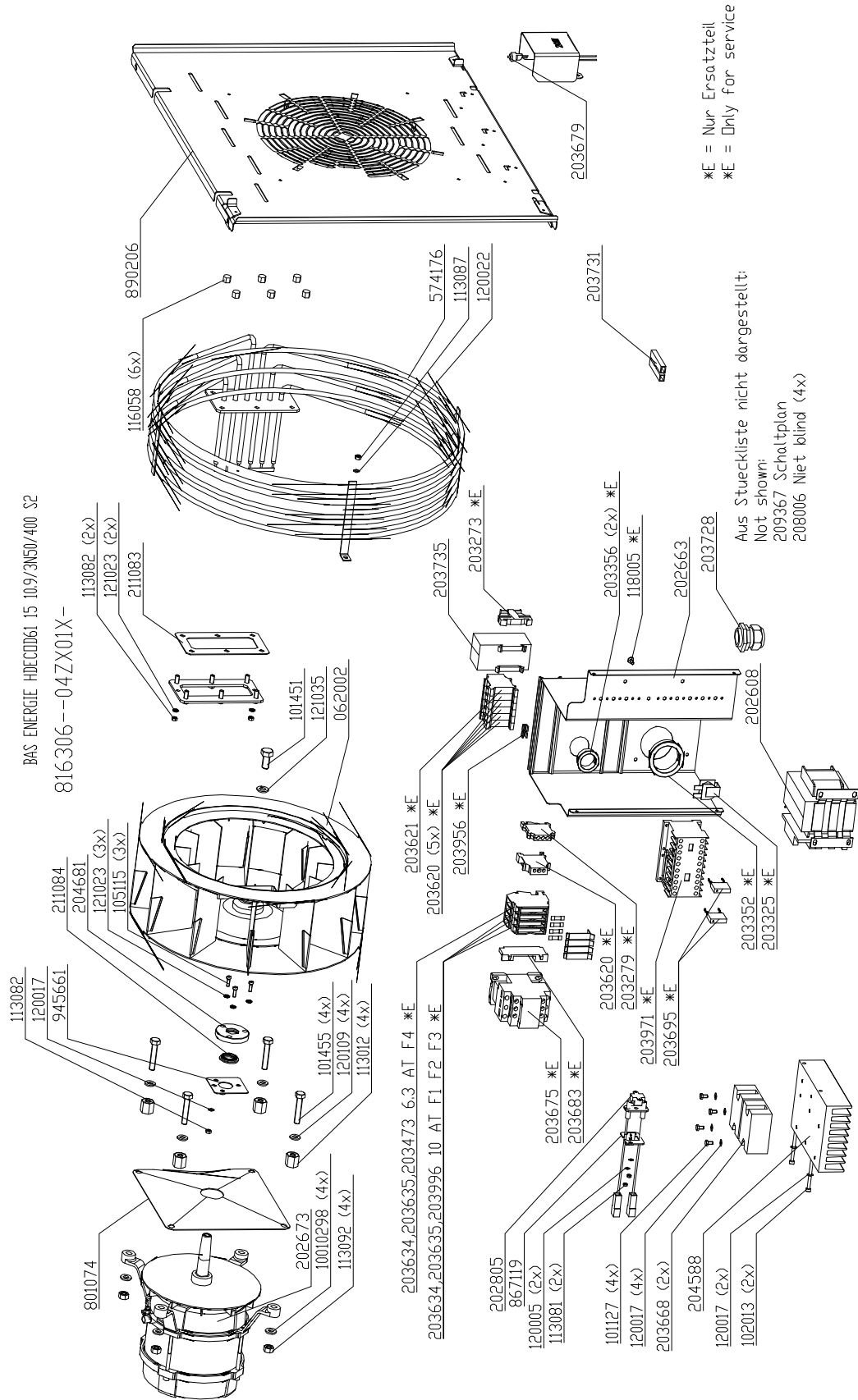
Front panel 10.x Silver2 without hand shower



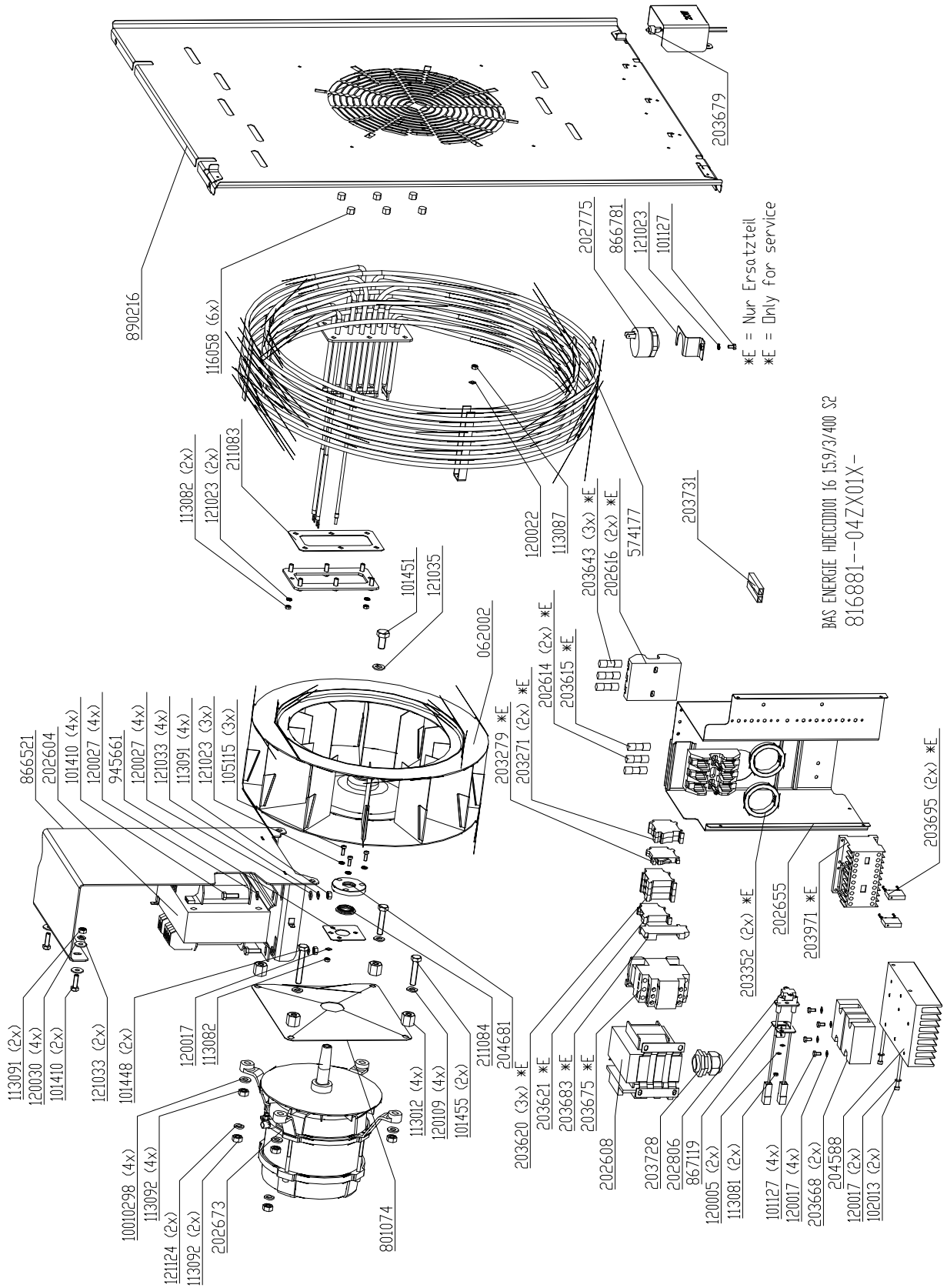
Front panel 10.x Silver2 with hand shower



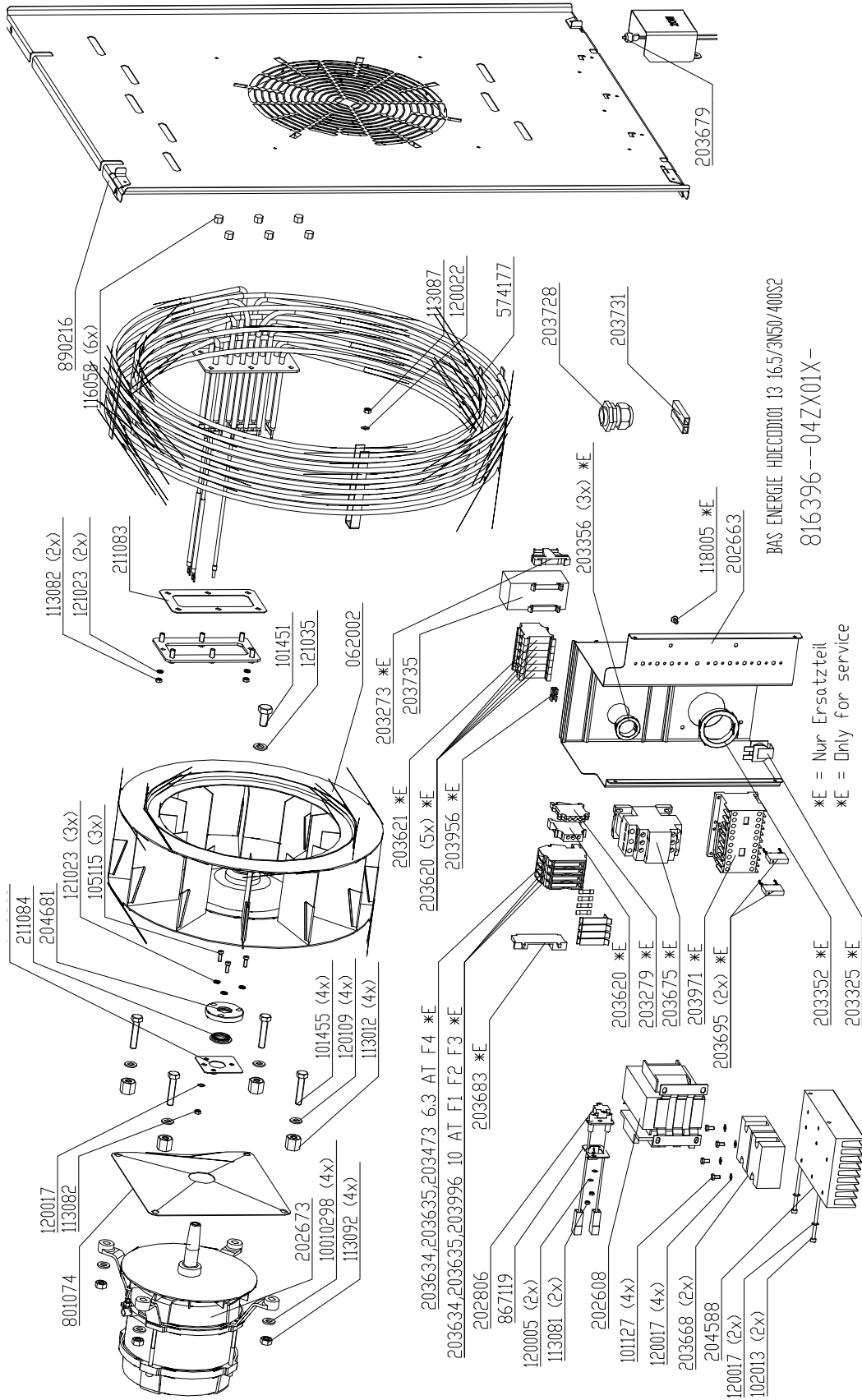
Electric assembly 3NPE 400V HD6.1 Silver2



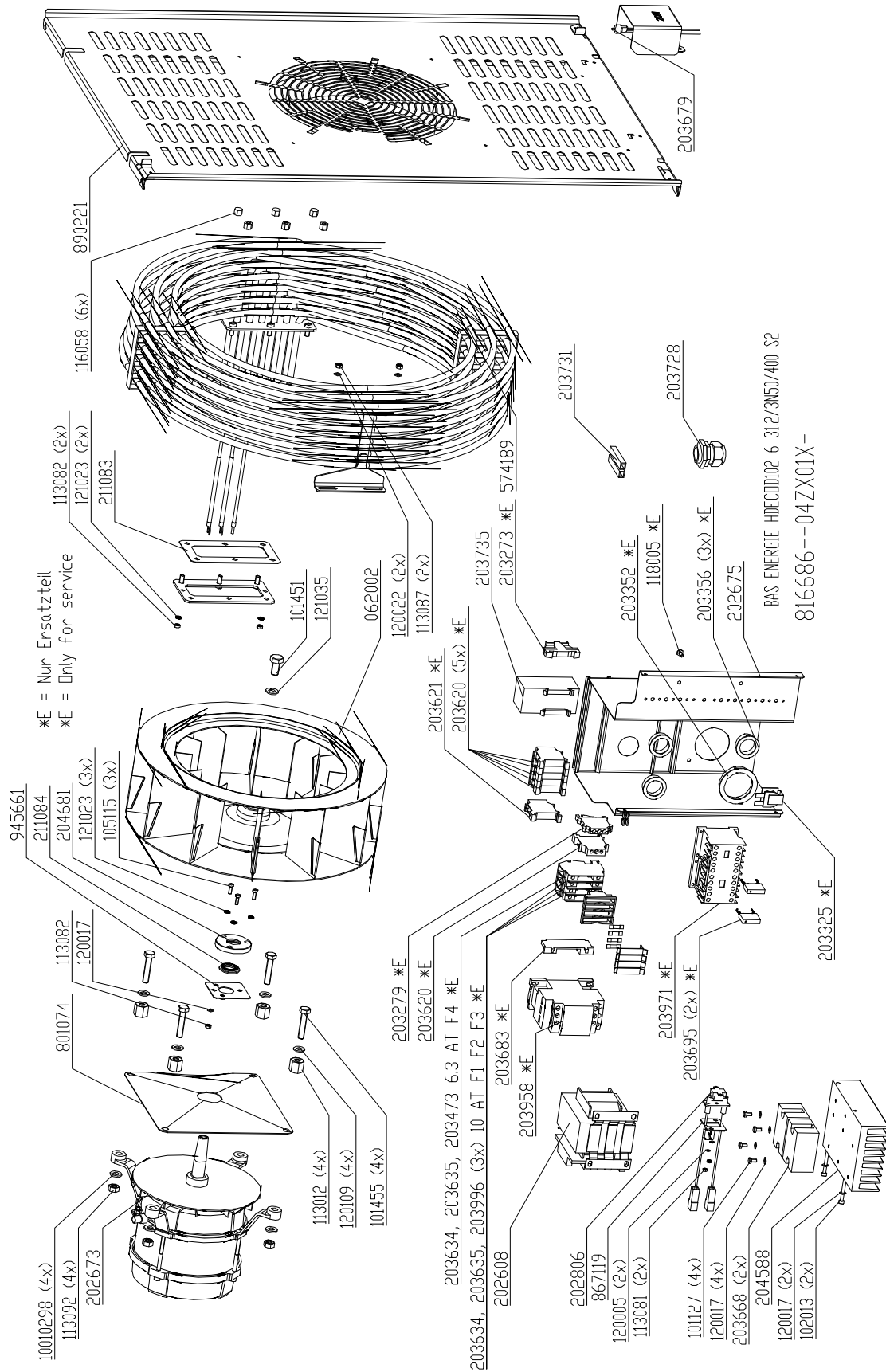
Electric assembly 3NPE 400V HD6.2 Silver2



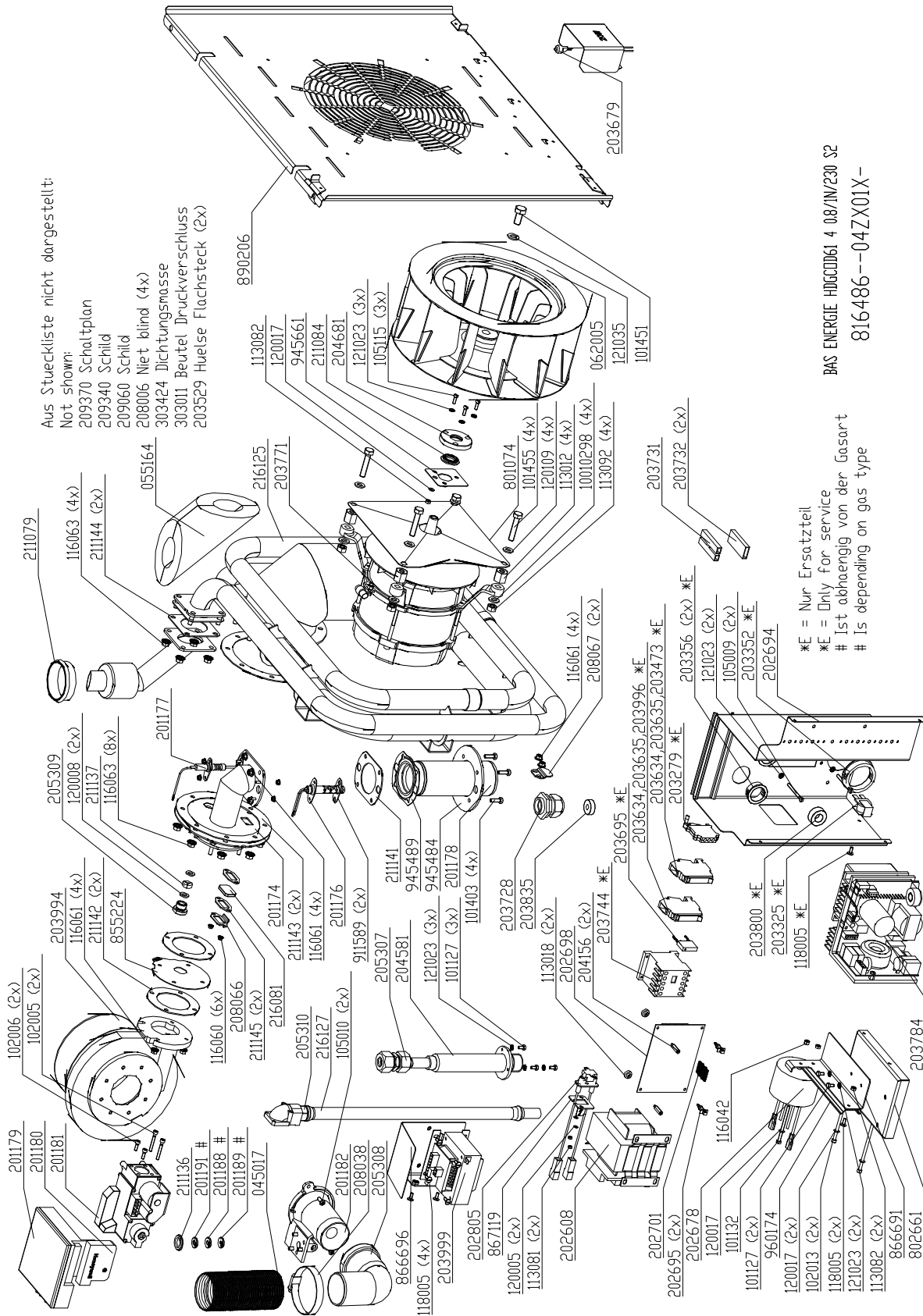
Electric assembly 3NPE 400V HD10.1 Silver2



Electric assembly 3NPE 400V HD10.2 Silver2



Gas assembly HD6.1 Silver2

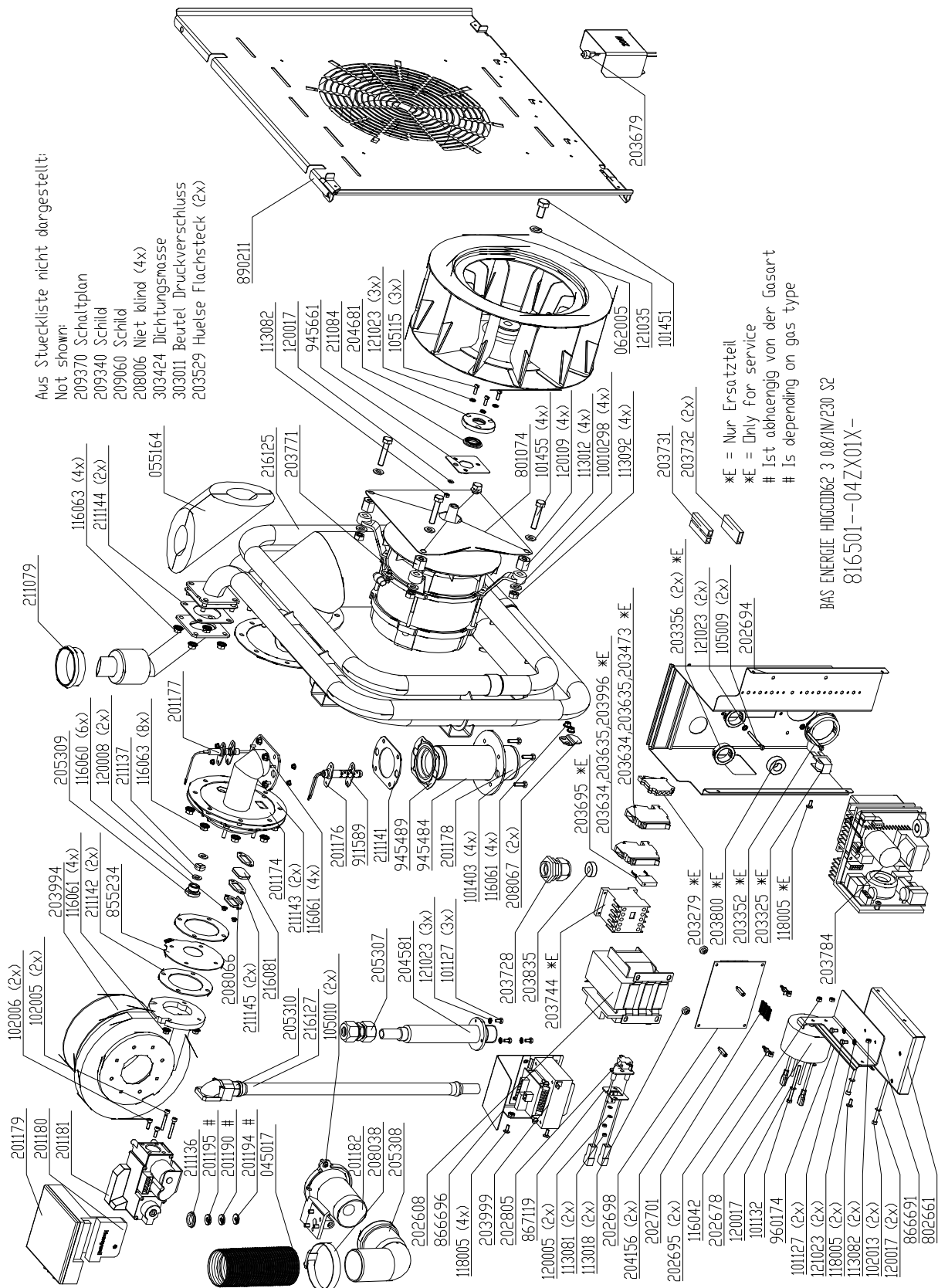


Aus Stueckliste nicht dargestellt:
 Not shown:
 209370 Schaltplan
 209340 Schild
 209060 Schild
 208006 Niet blind (4x)
 303424 Dichtungsmasse
 303011 Beutel Druckverschluss
 203529 Huelse Flachsteck (2x)

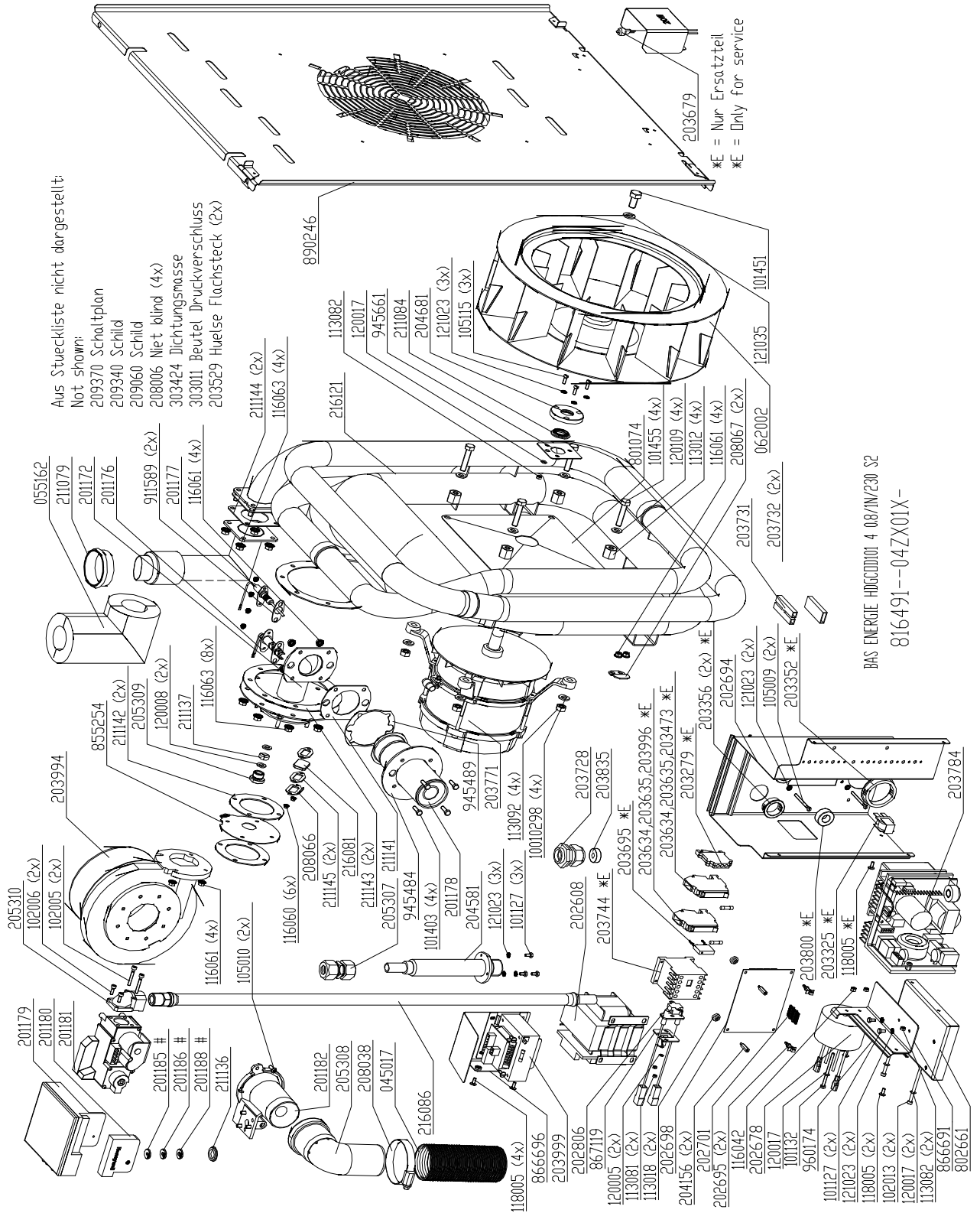
*E = Nur Ersatzteil
 *E = Only for service
 # Ist abhaengig von der Gasart
 # Is depending on gas type

BAS ENERGIE HD6CD161 4 08/IV/230 SE
 816486--04ZX01X-

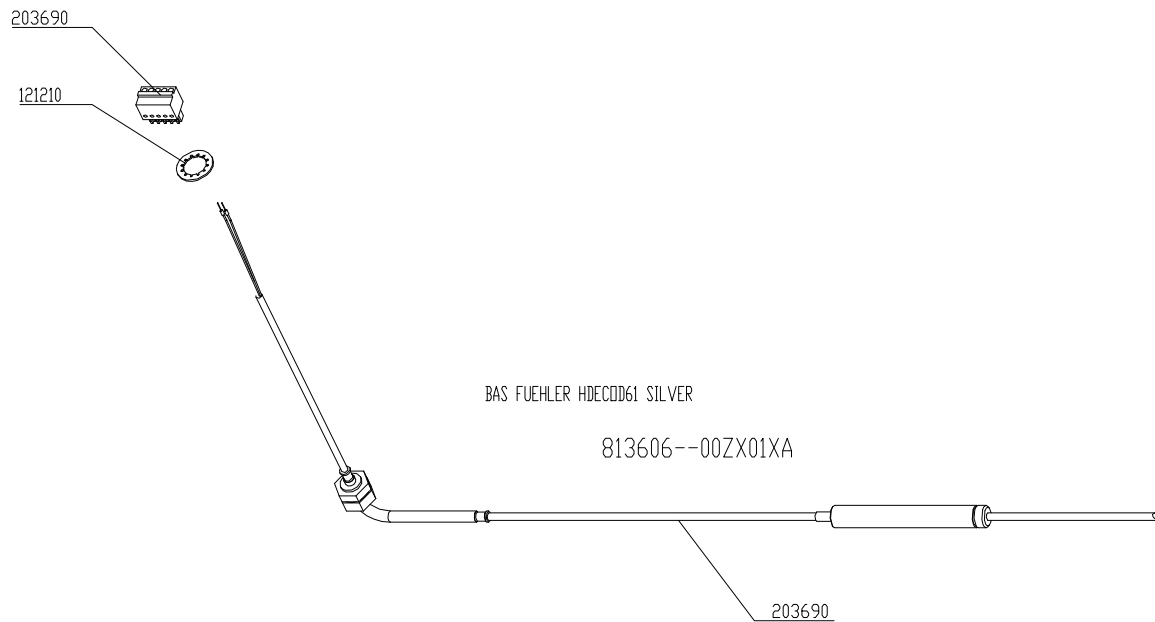
Gas assembly 6.2 Silver2



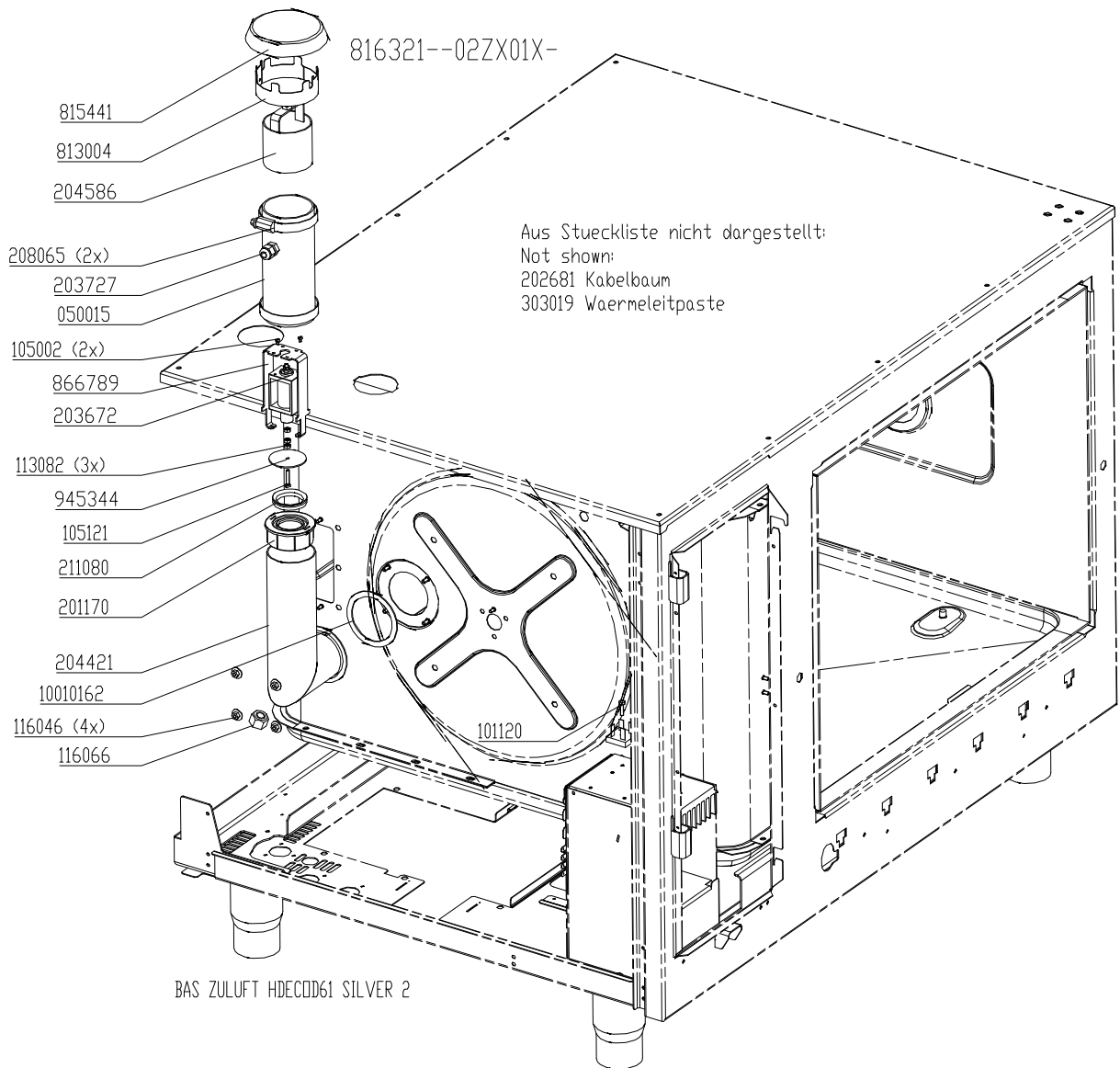
Gas assembly HD10.1 Silver2



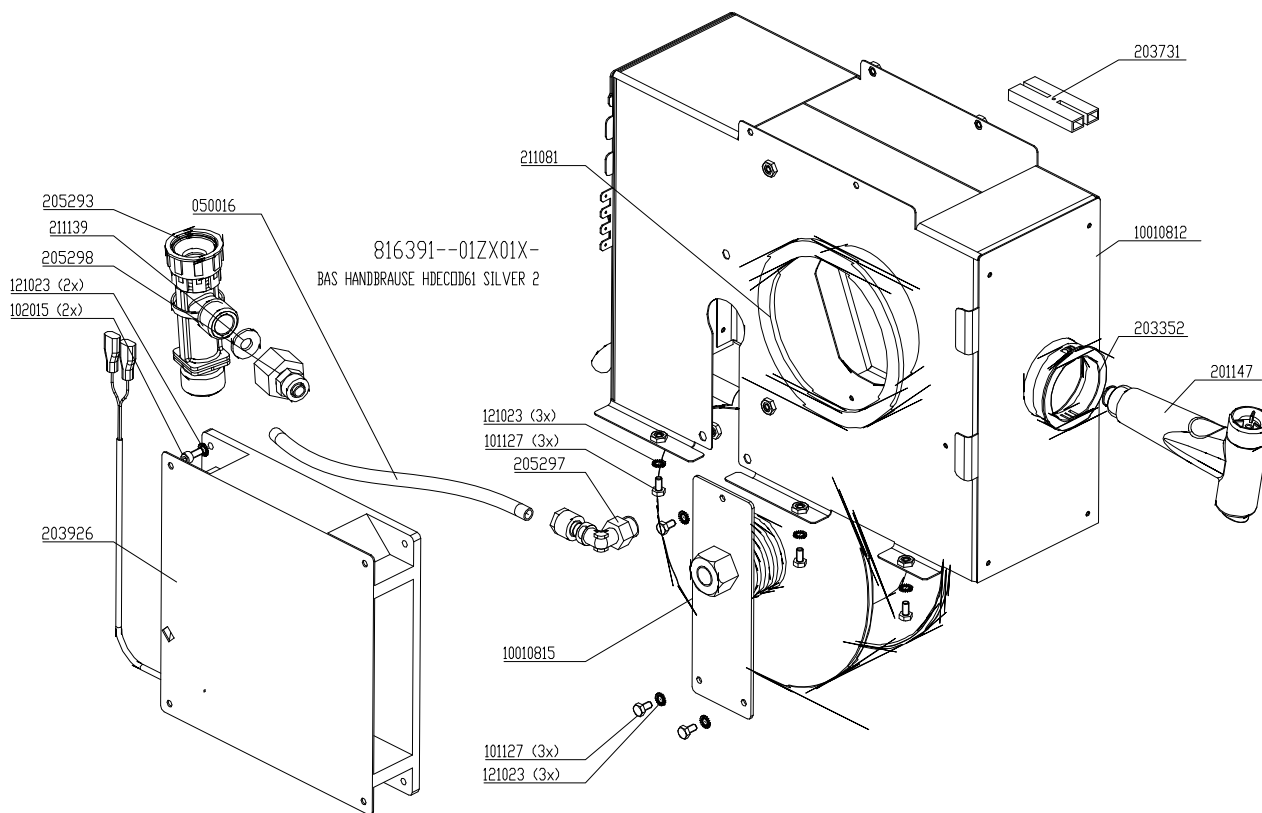
Core temperature probe HD6.x & HD10.x Silver2



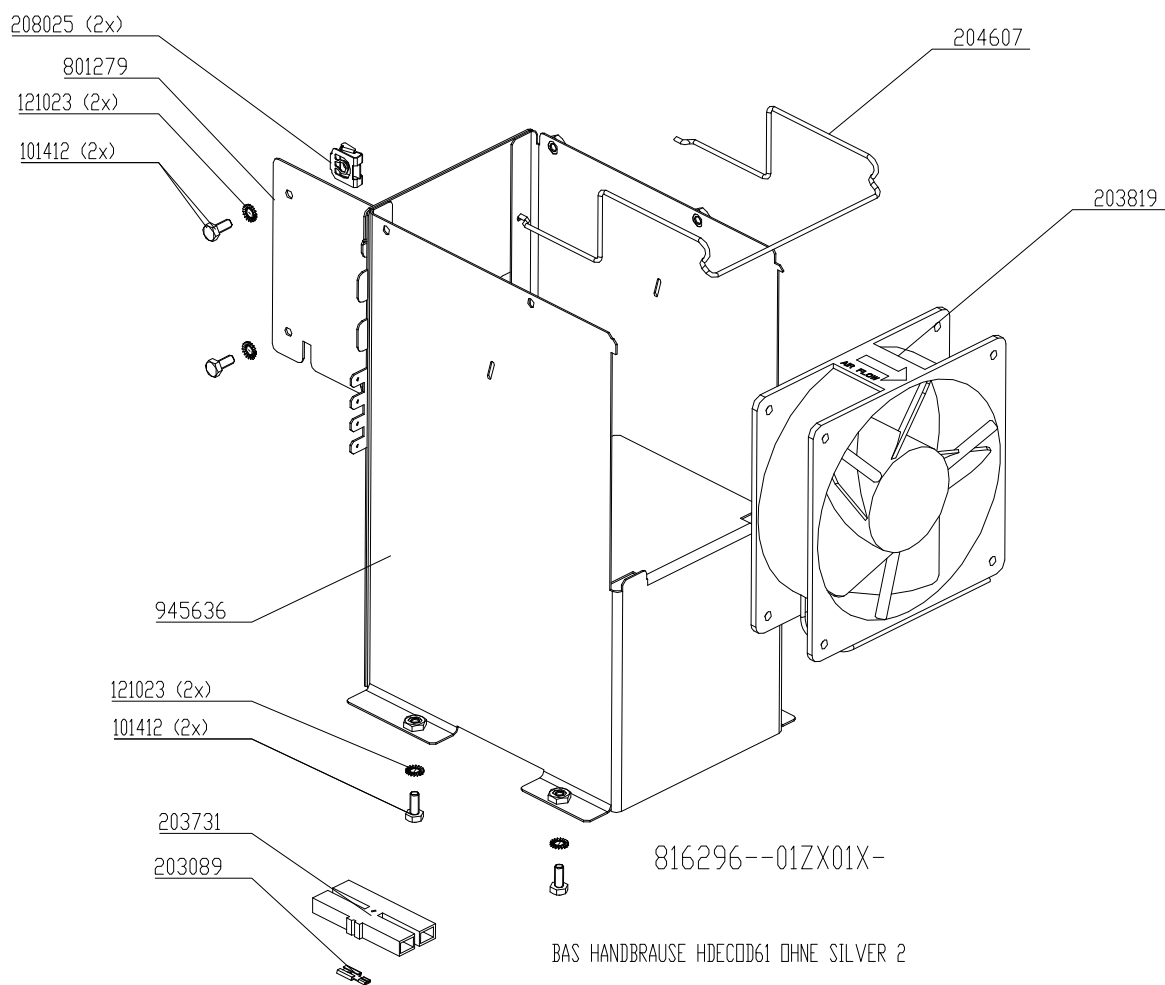
Fresh air assembly 6.x 10.x Silver2



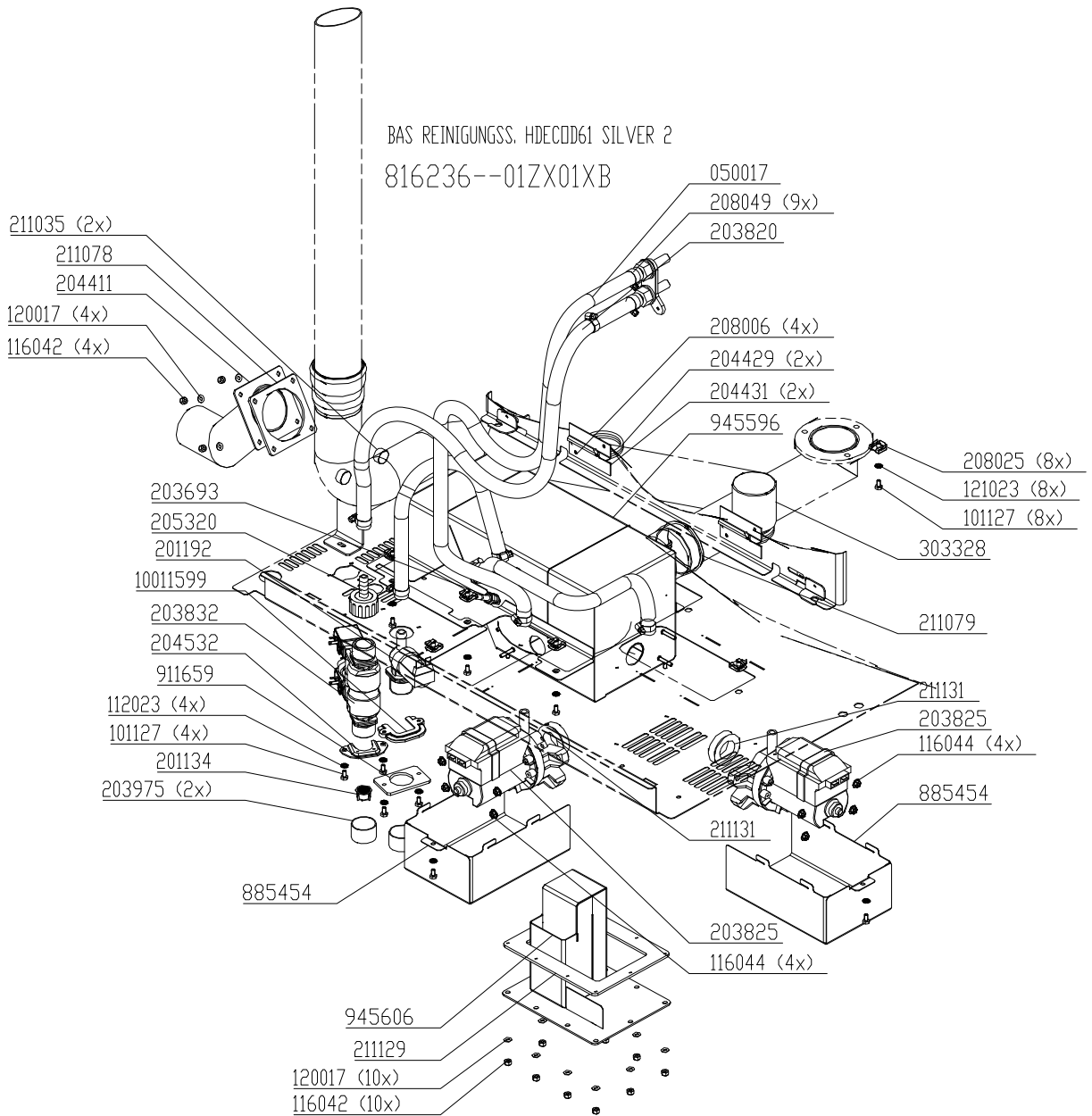
Supply air area 6.x & 10.x (with hand shower) Silver2



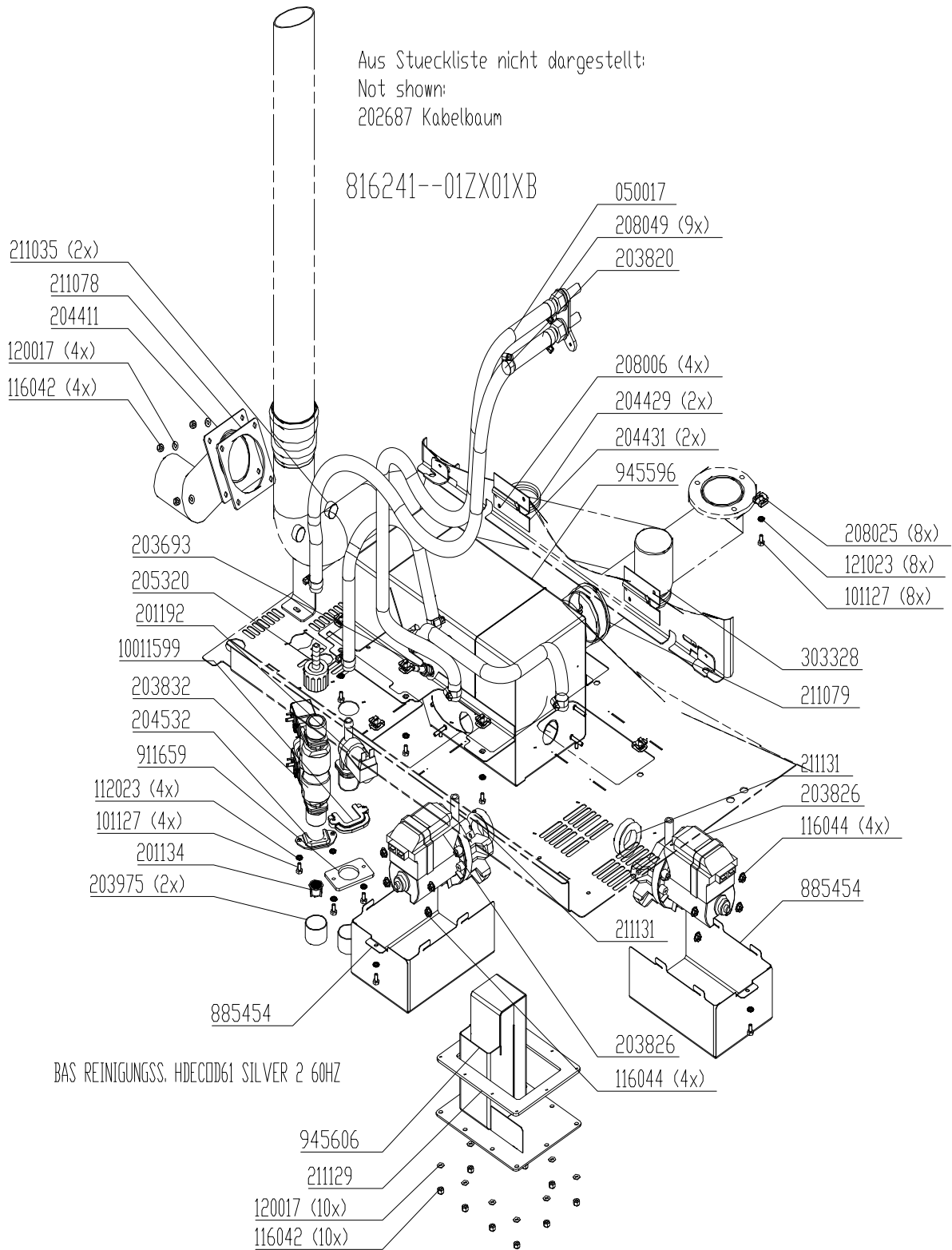
Supply air area 6.x 10.x (without hand shower) Silver2



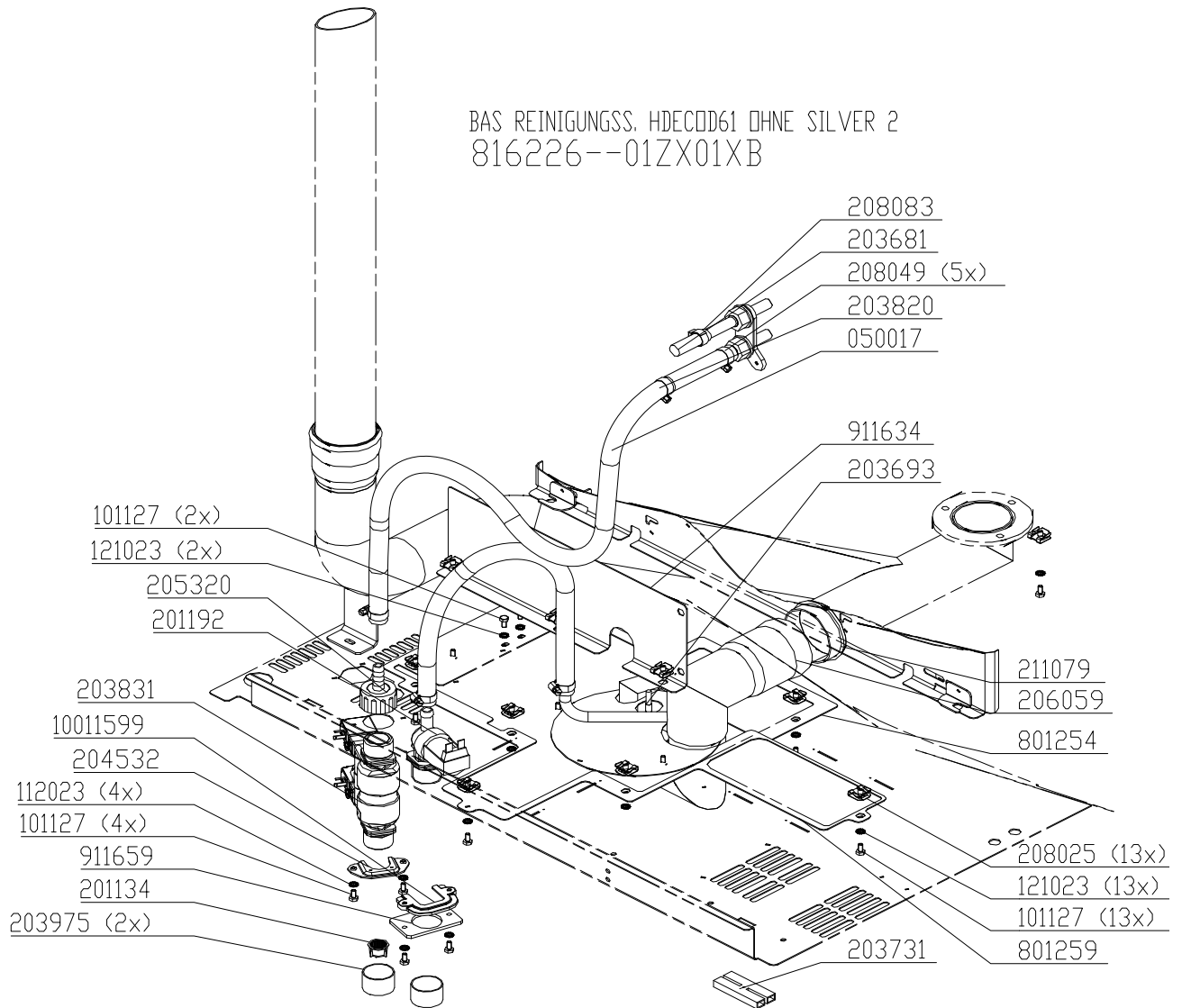
Water assembly with WaveClean 50Hz HD6.x & HD10.x Silver2



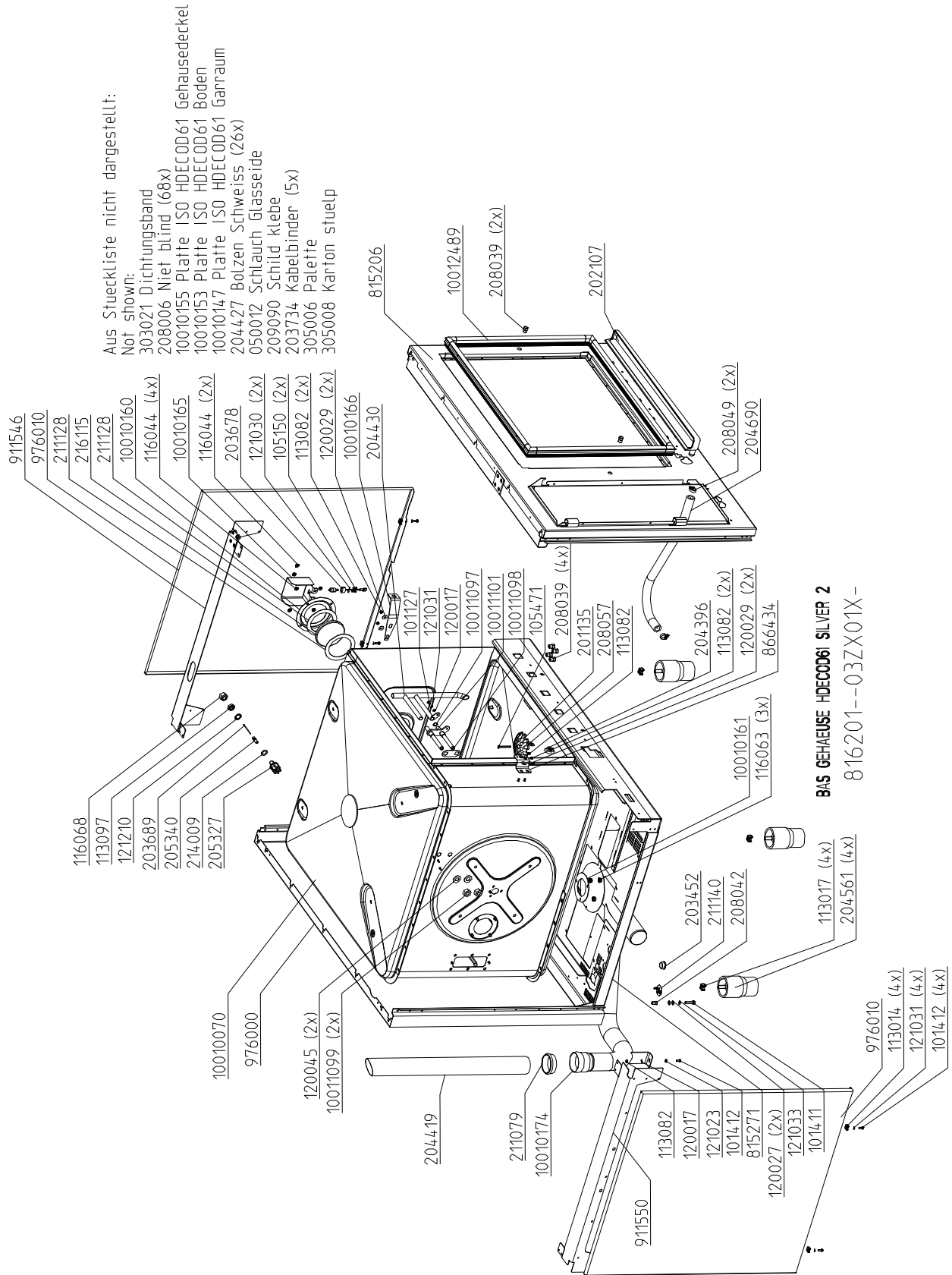
Water assembly with WaveClean 60Hz HD6.x & HD10.x Silver2



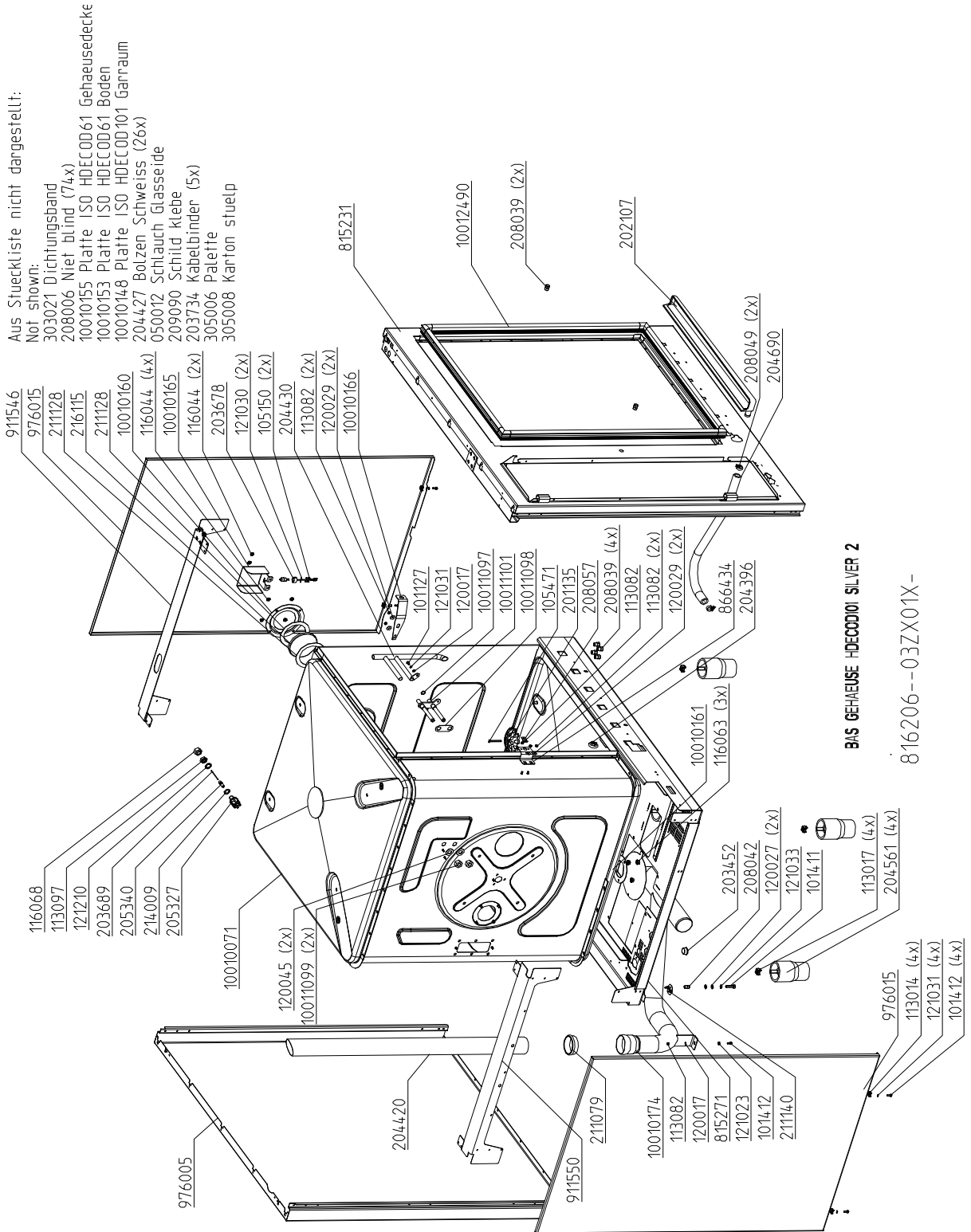
Water assembly without WaveClean HD6.x & HD10.x Silver2



Chassis 6.x Electric Silver2



Chassis 10.x Electric Silver2



Aus Stueckliste nicht dargestellt:

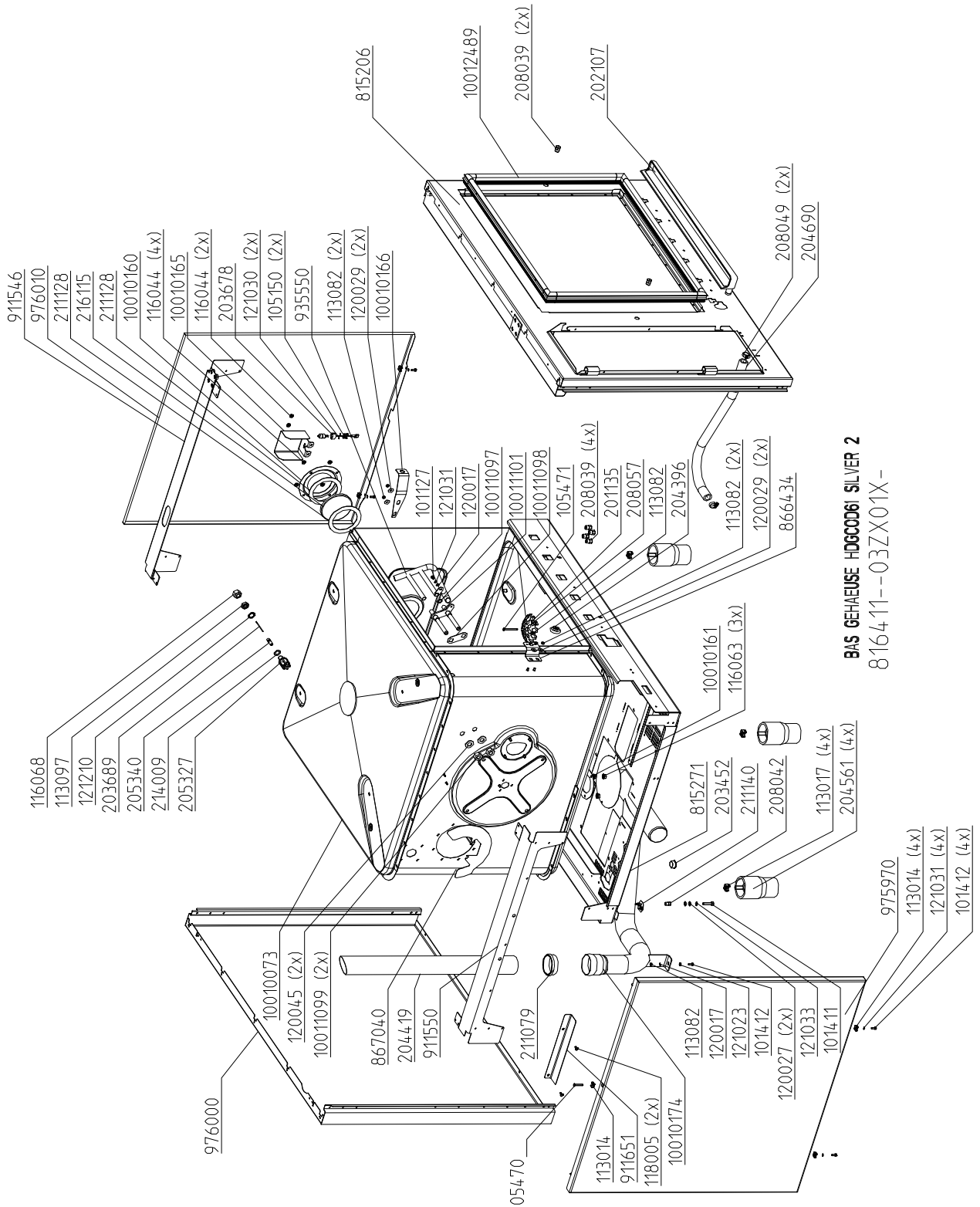
Not shown:

- 303021 Dichtungsbund
- 208006 Niet blind (74x)
- 10010155 Platte ISO HDEC0061 Gehaeusedecke
- 10010153 Platte ISO HDEC0061 Boden
- 10010148 Platte ISO HDEC00101 Garraum
- 204427 Bolzen Schweiss (26x)
- 050012 Schlauch Glasseide
- 209090 Schild klebe
- 203734 Kabelbinder (5x)
- 305006 Palette
- 305008 Karton stueelp

BAS GEHAEUSE HDEC001 SILVER 2

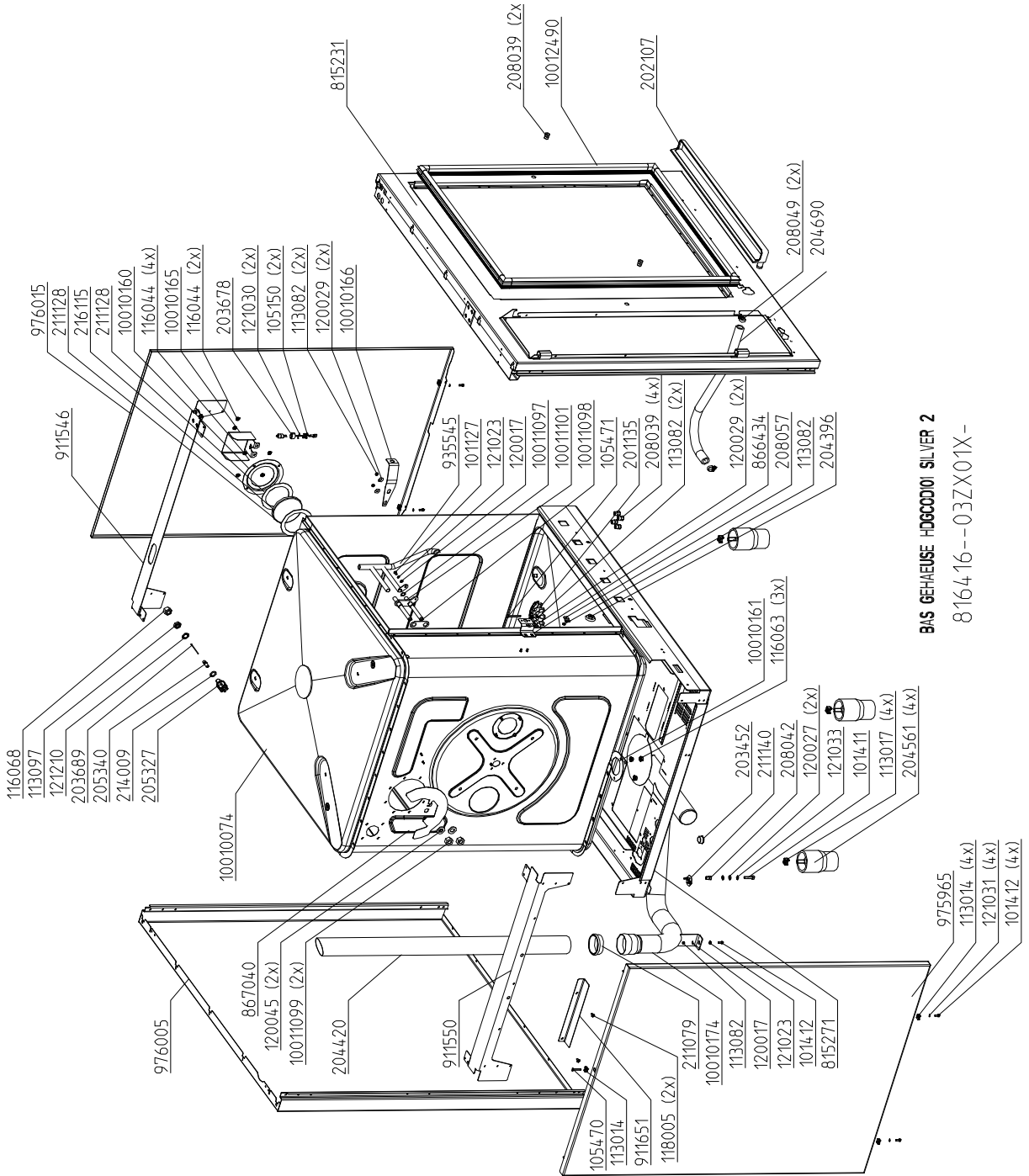
816206--03ZX01X-

Chassis 6.x Gas Silver2



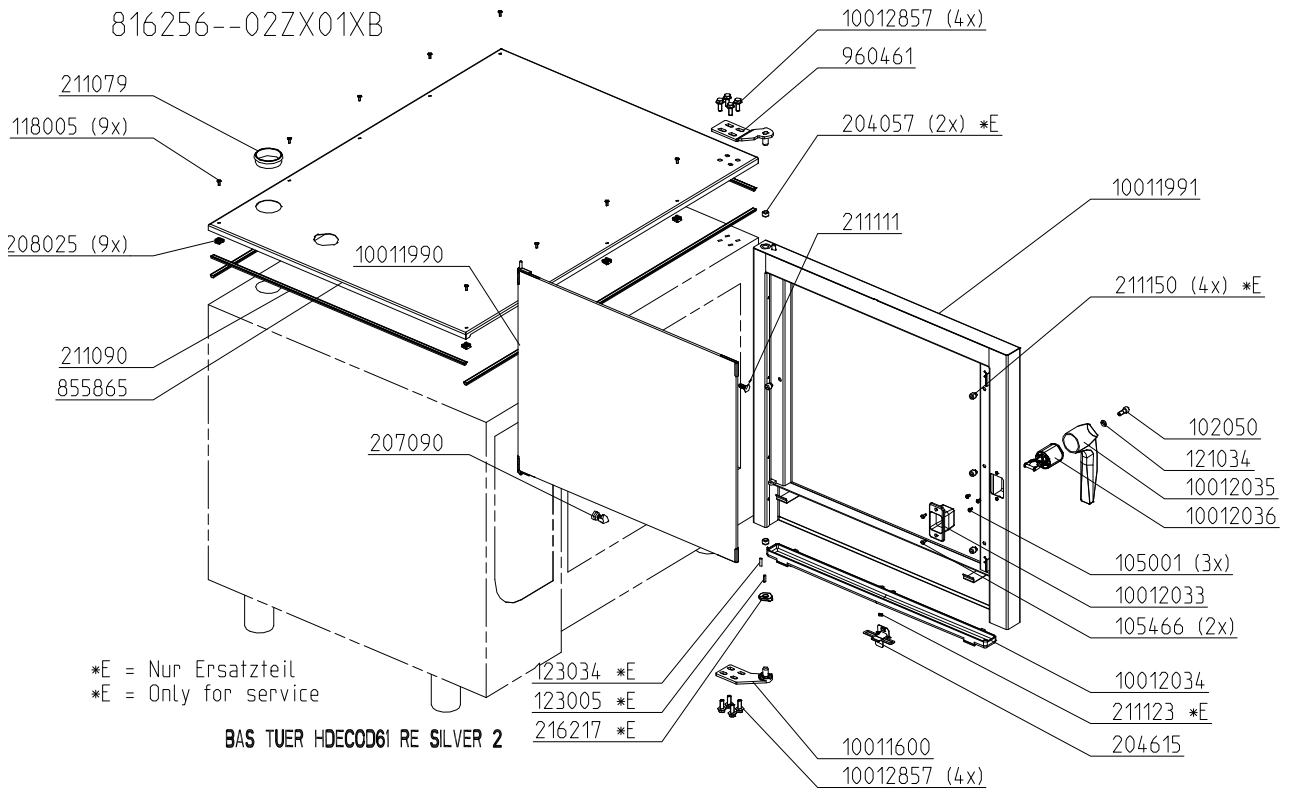
BAS GEHÄUSE HDCC0061 SILVER 2
816411--03ZX01X-

Chassis 10.x Gas Silver2

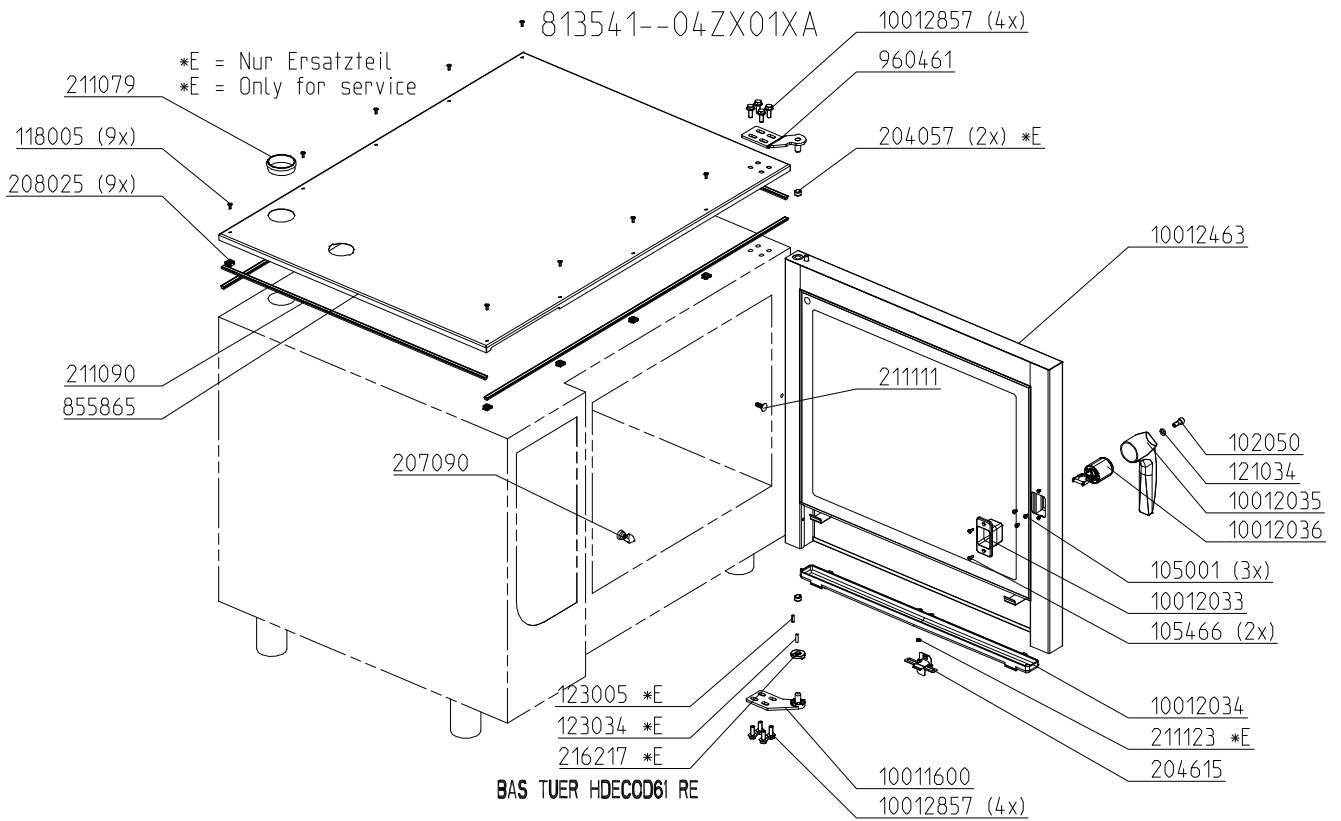


BAS BEHAUSE HD60001 SILVER 2
816416--03X01X-

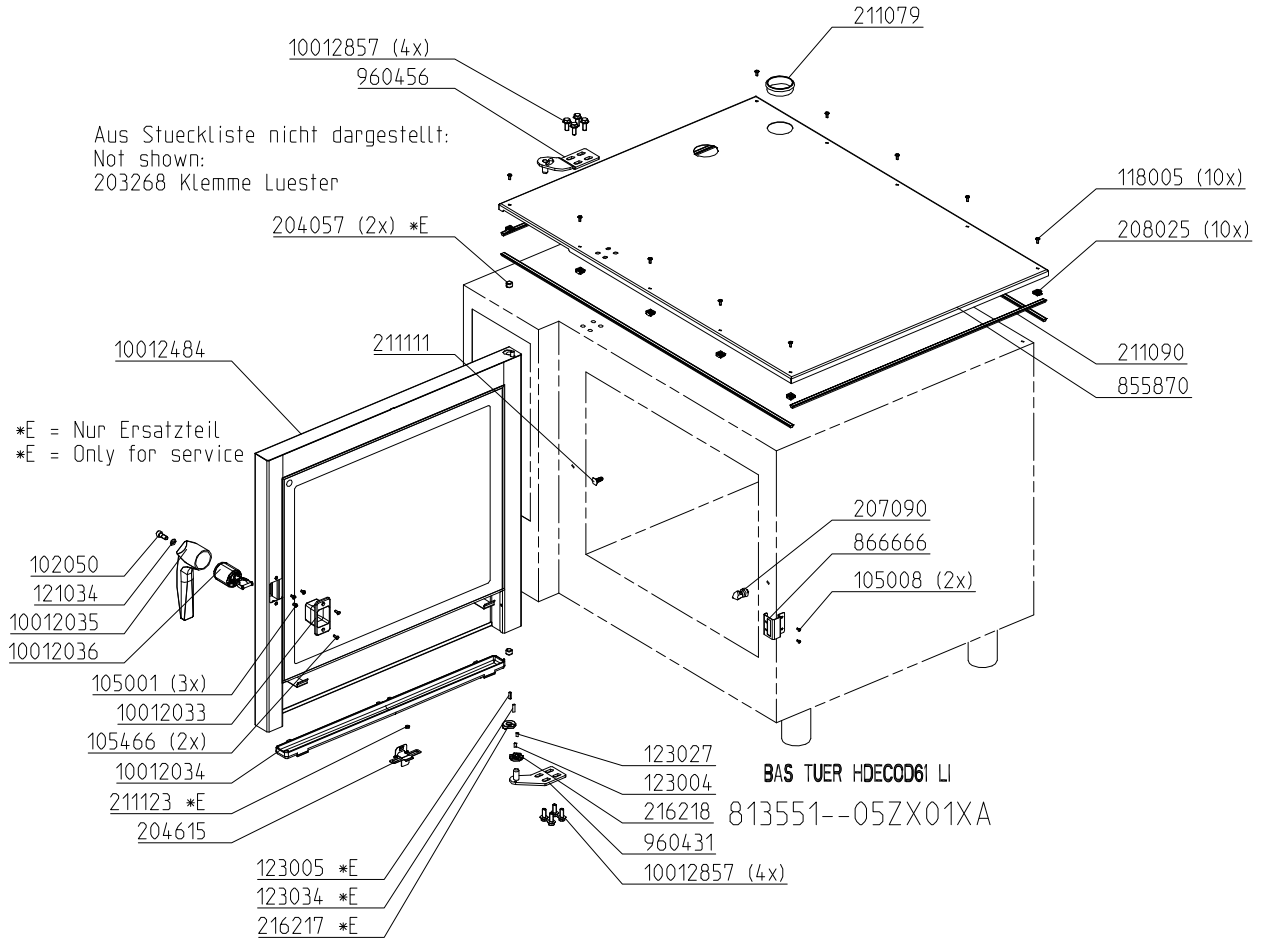
Chassis door area HD6.x electric, right hinged (double glazing)



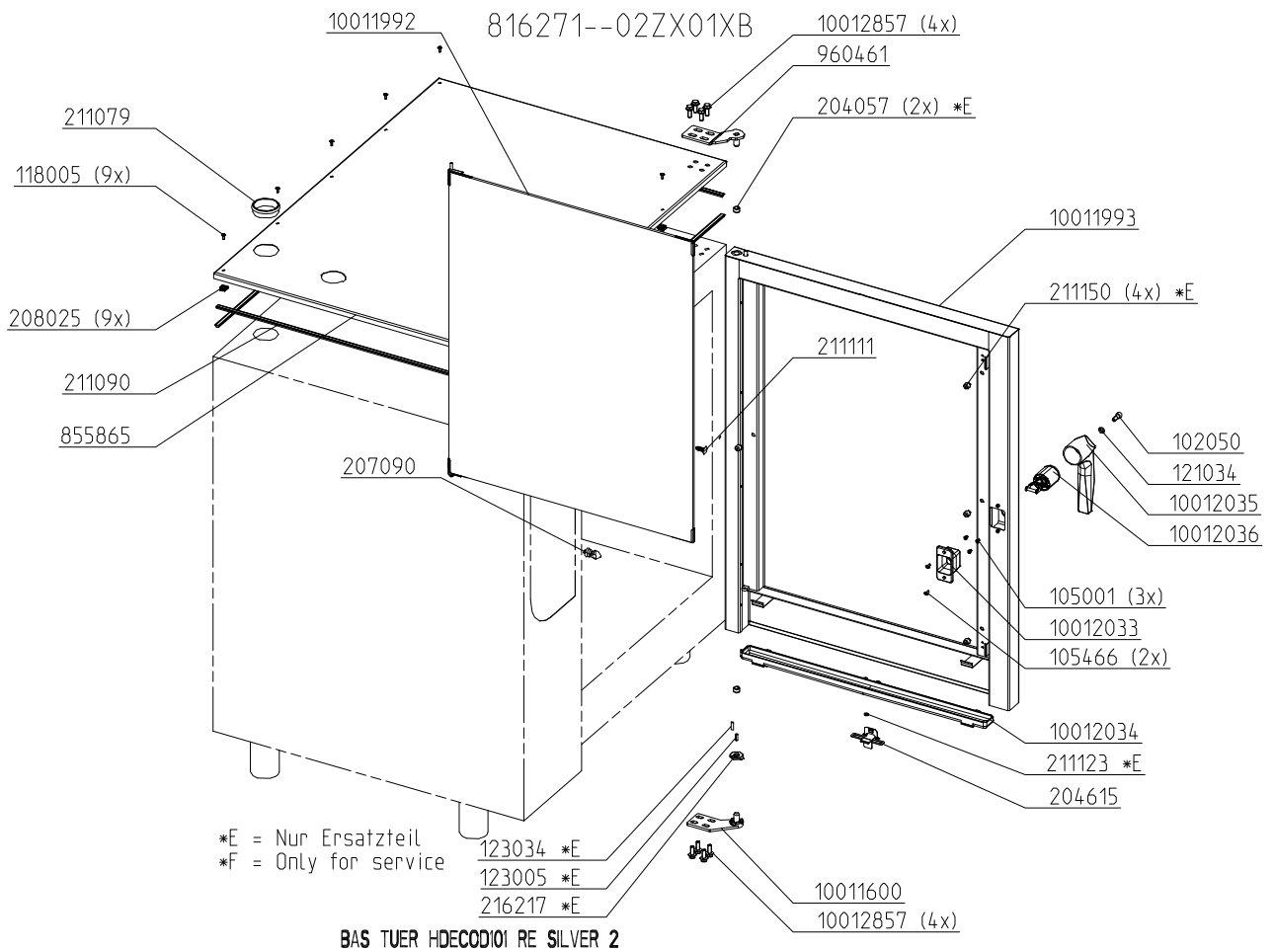
Chassis door area HD6.x, right hinged (Electric)



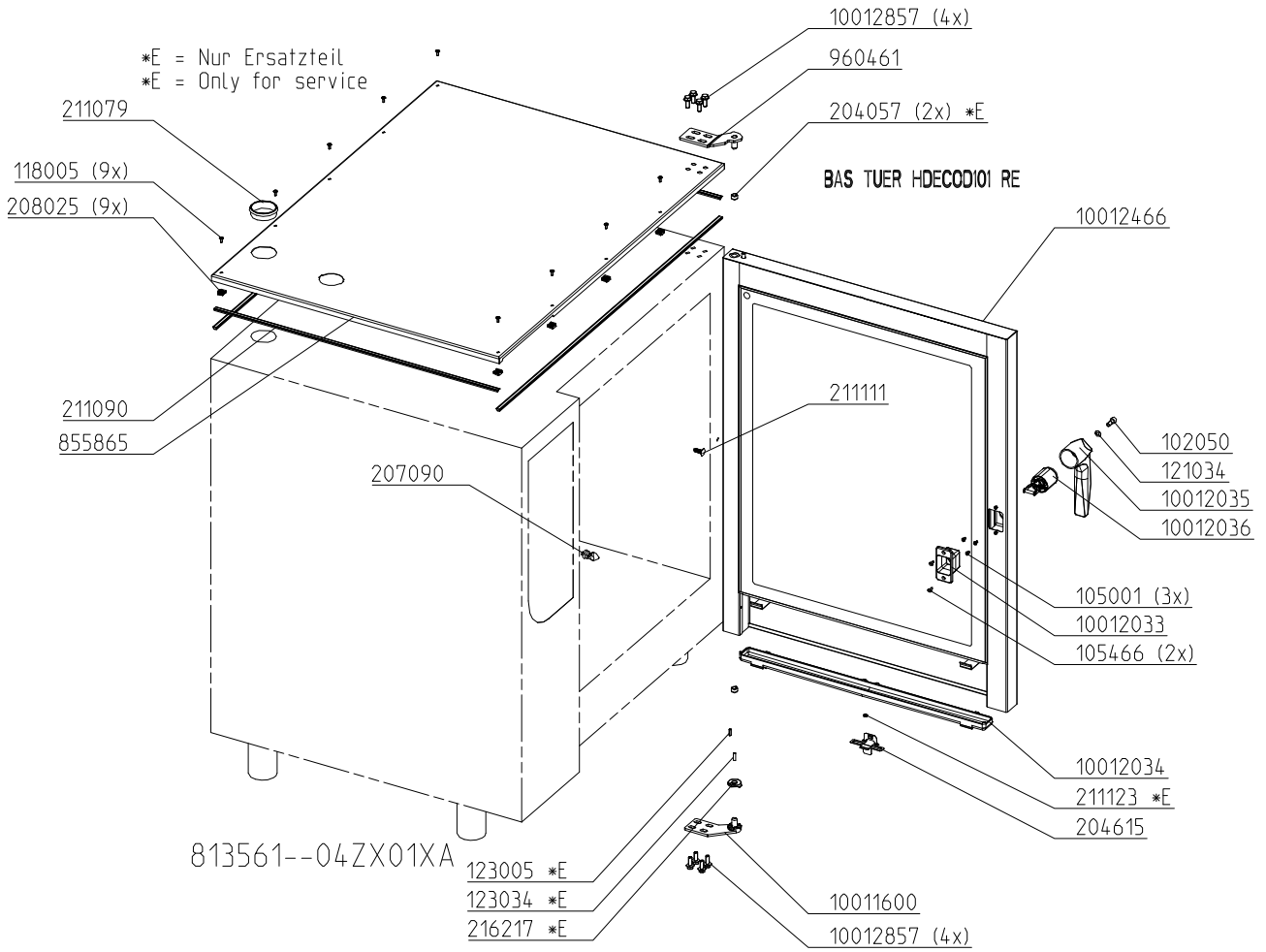
Chassis door area HD6.x, left hinged (Electric)



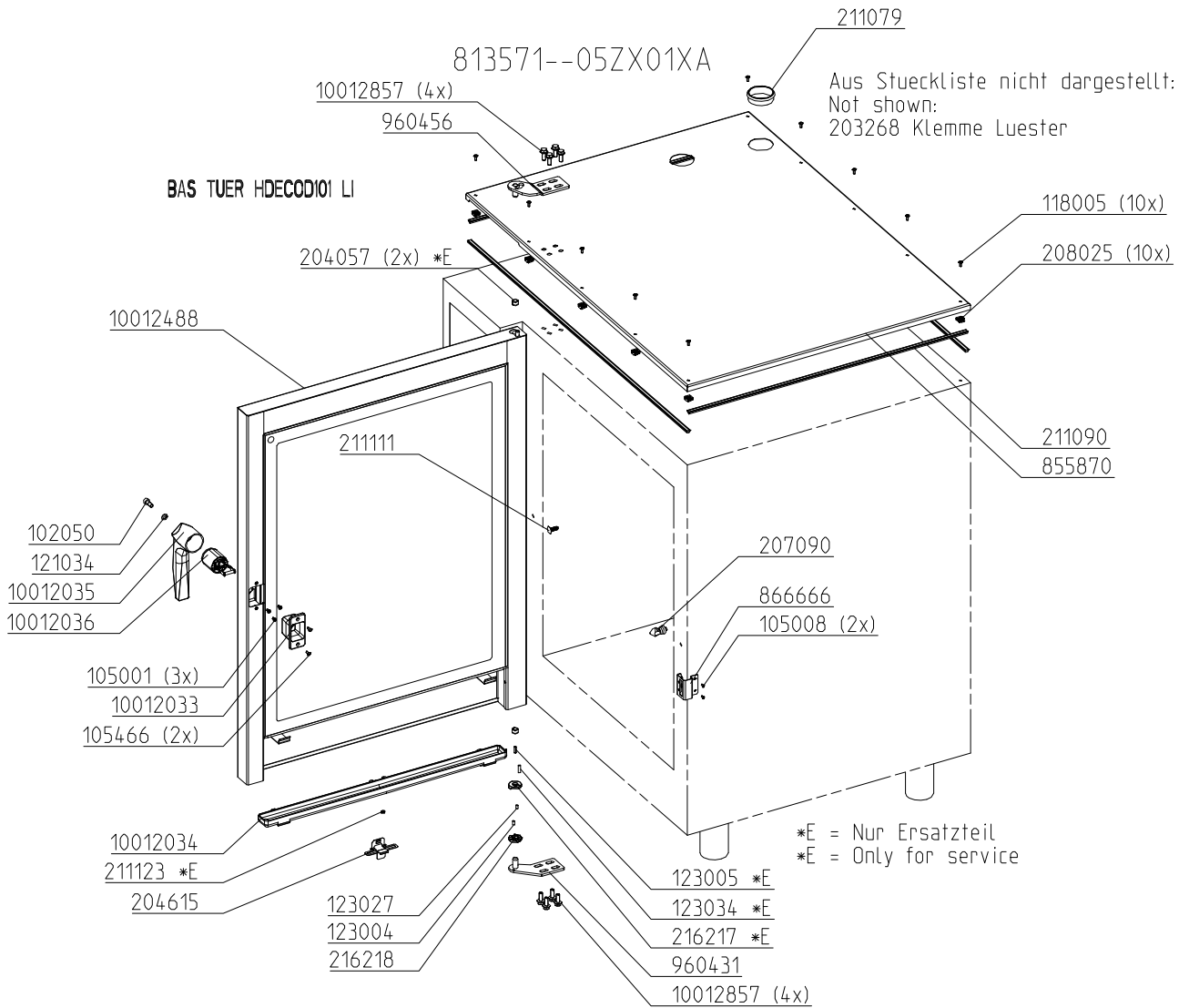
Chassis door area HD10.x electric, right hinged (double glazing)



Chassis door area HD10.x, right hinged (Electric)



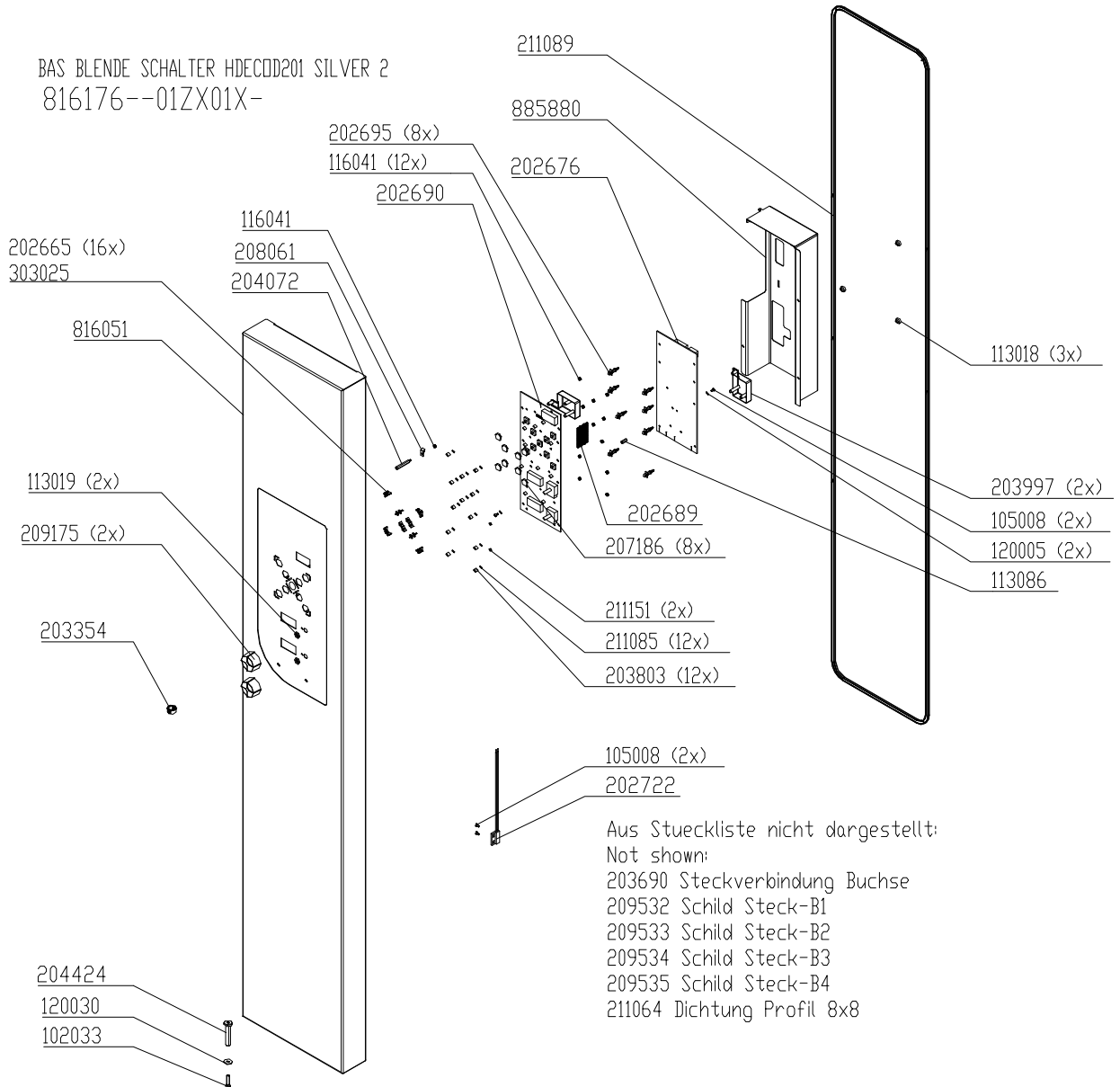
Chassis door area HD10.x, left hinged (Electric)



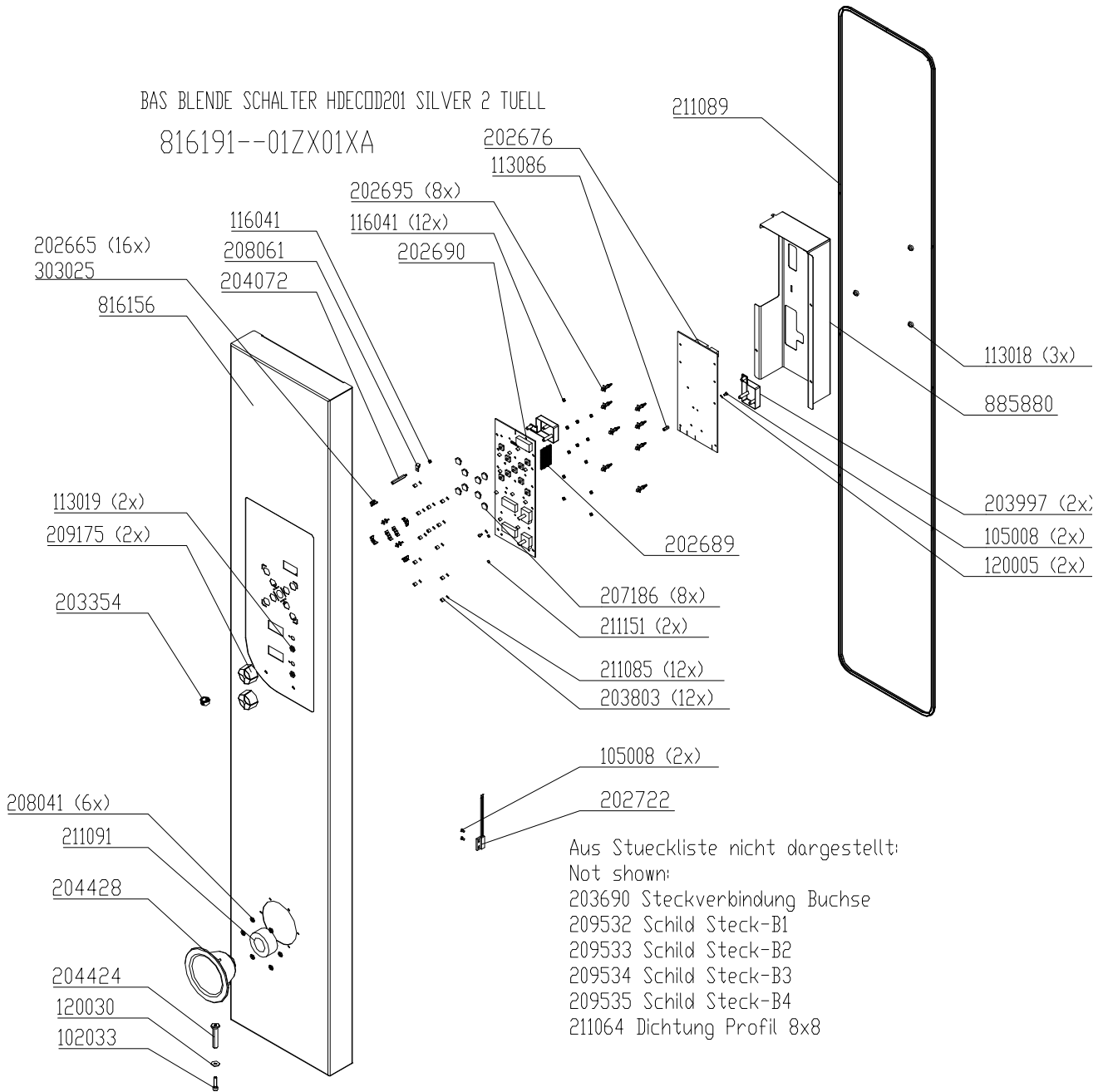
Exploded drawings 20.x

Electric & Gas

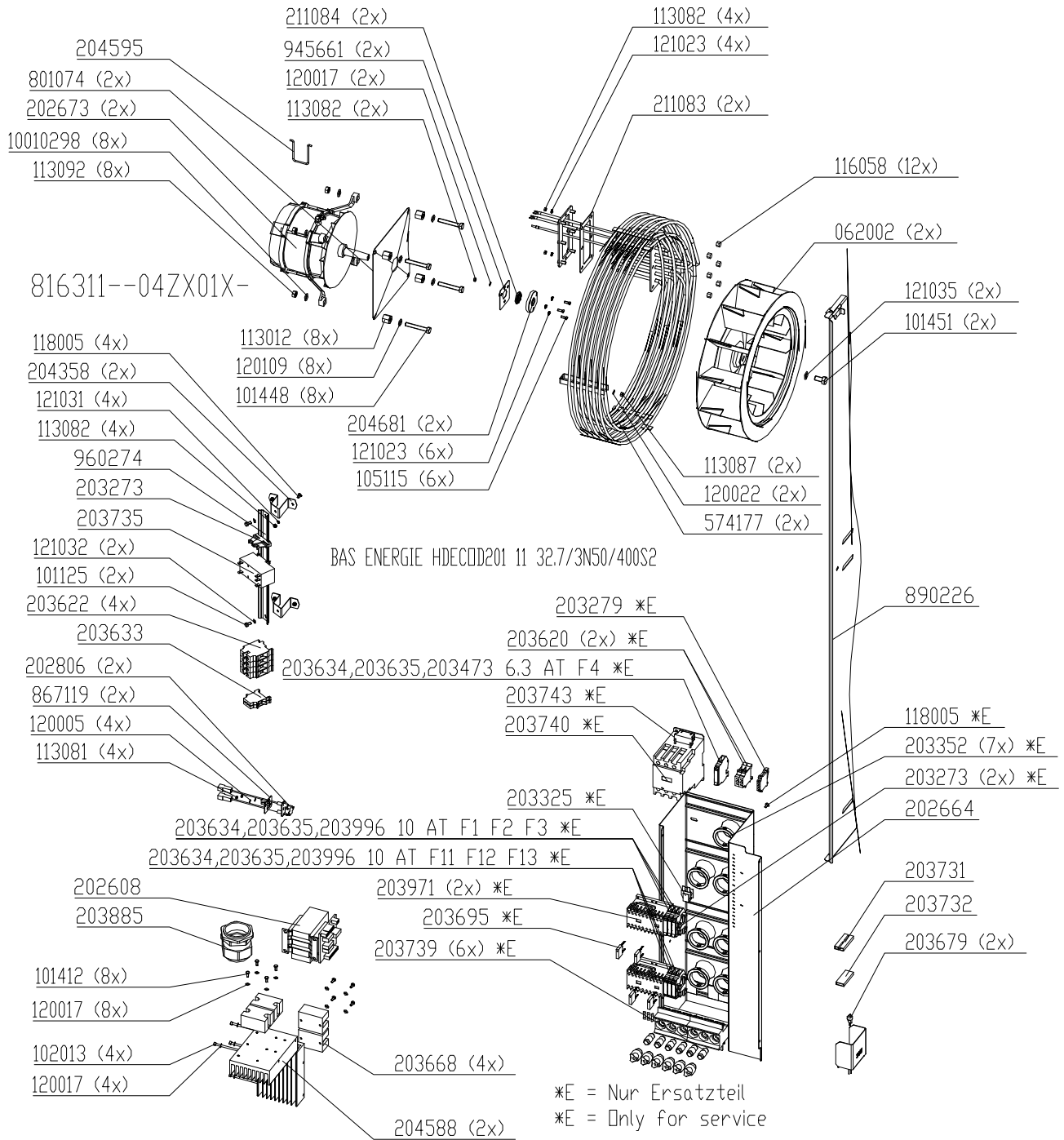
Front panel 20.x Silver2 without hand shower



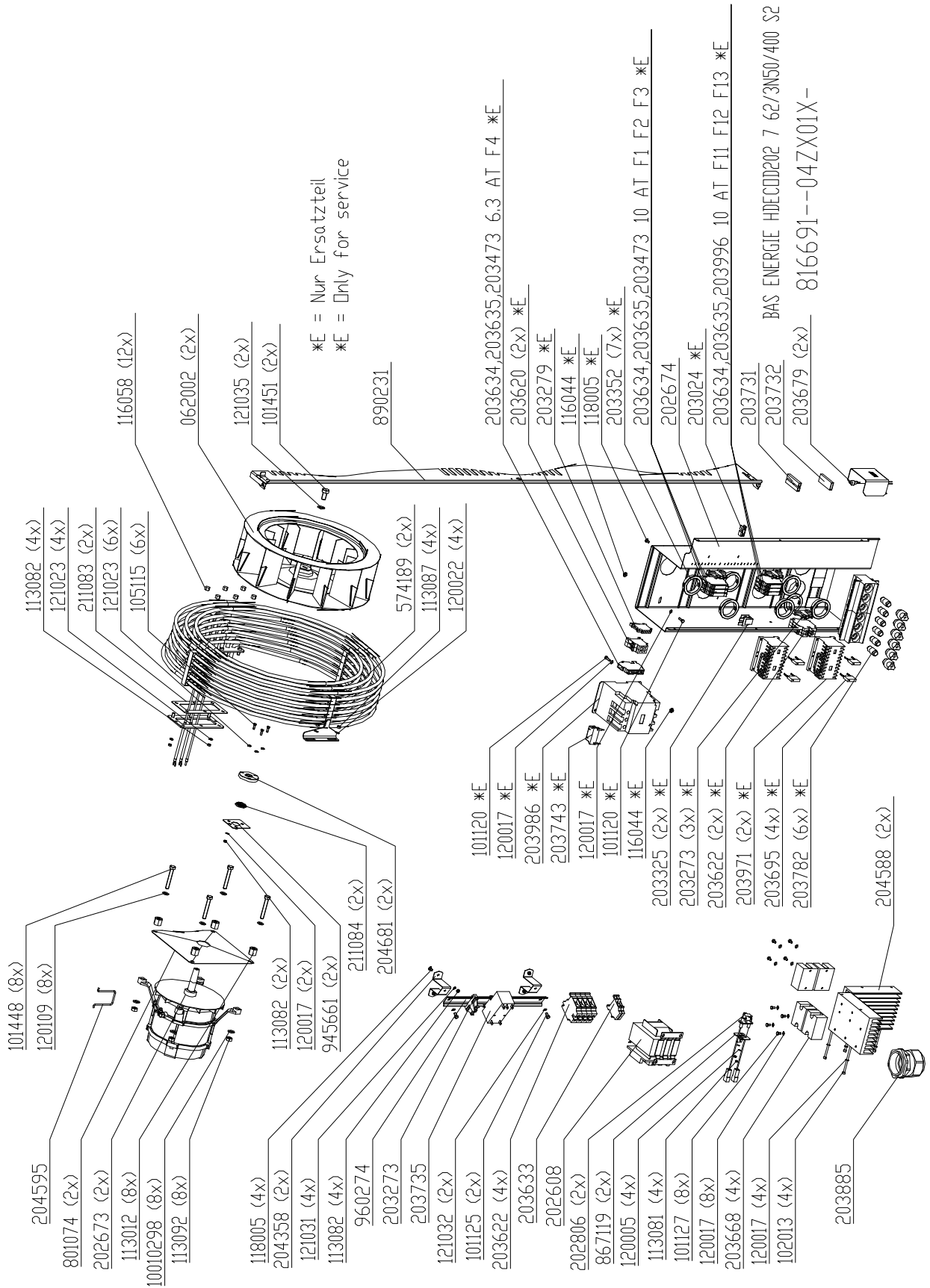
Front panel 20.x Silver2 with hand shower



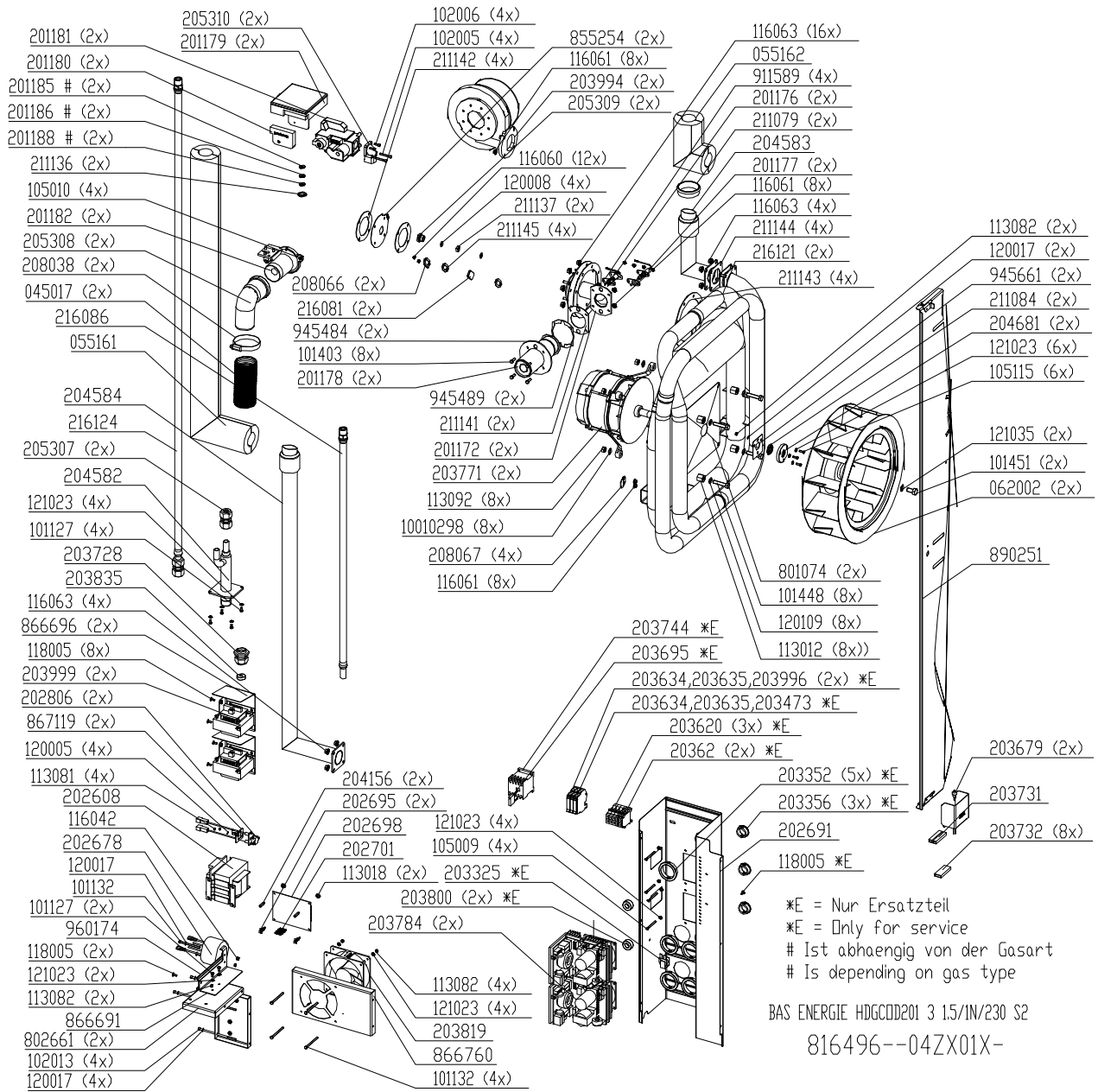
Electric assembly 3NPE 400V HD20.1 Silver2



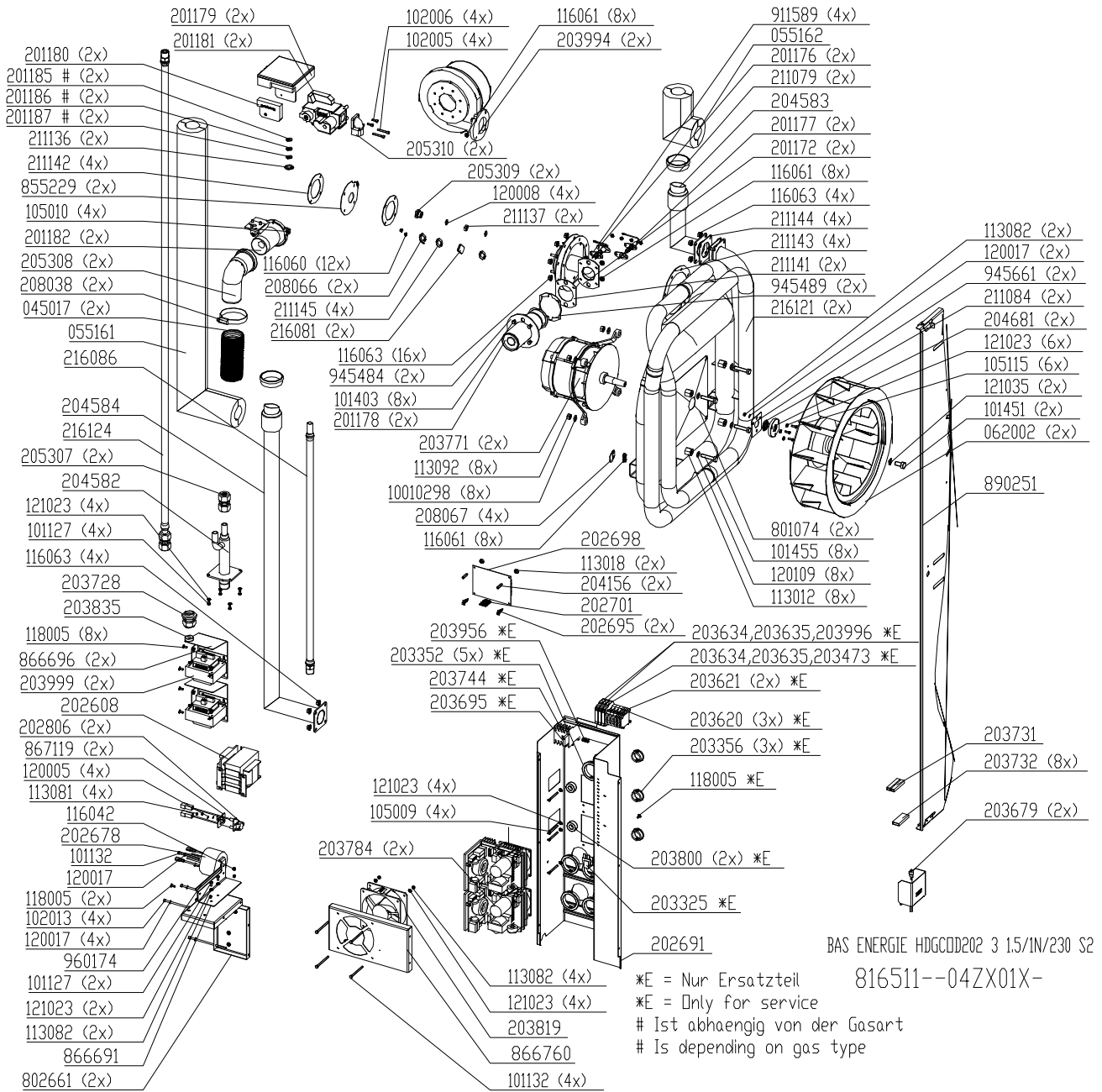
Electric assembly 3NPE 400V HD20.2 Silver2



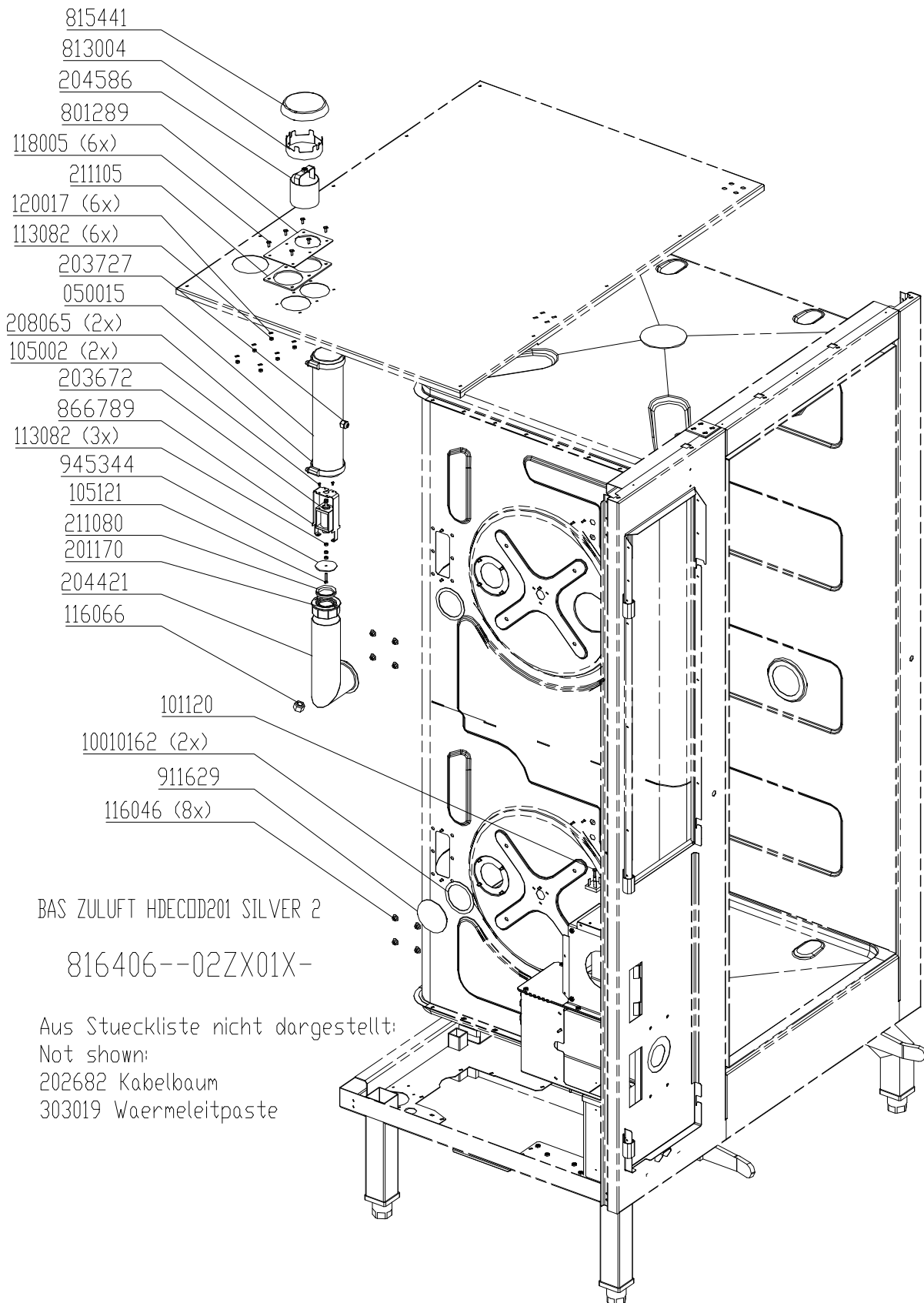
Gas assembly HD20.1 Silver2



Gas assembly HD20.2 Silver2



Fresh air assembly 20.x Silver2



BAS ZULUFT HDECOD201 SILVER 2

816406--02ZX01X-

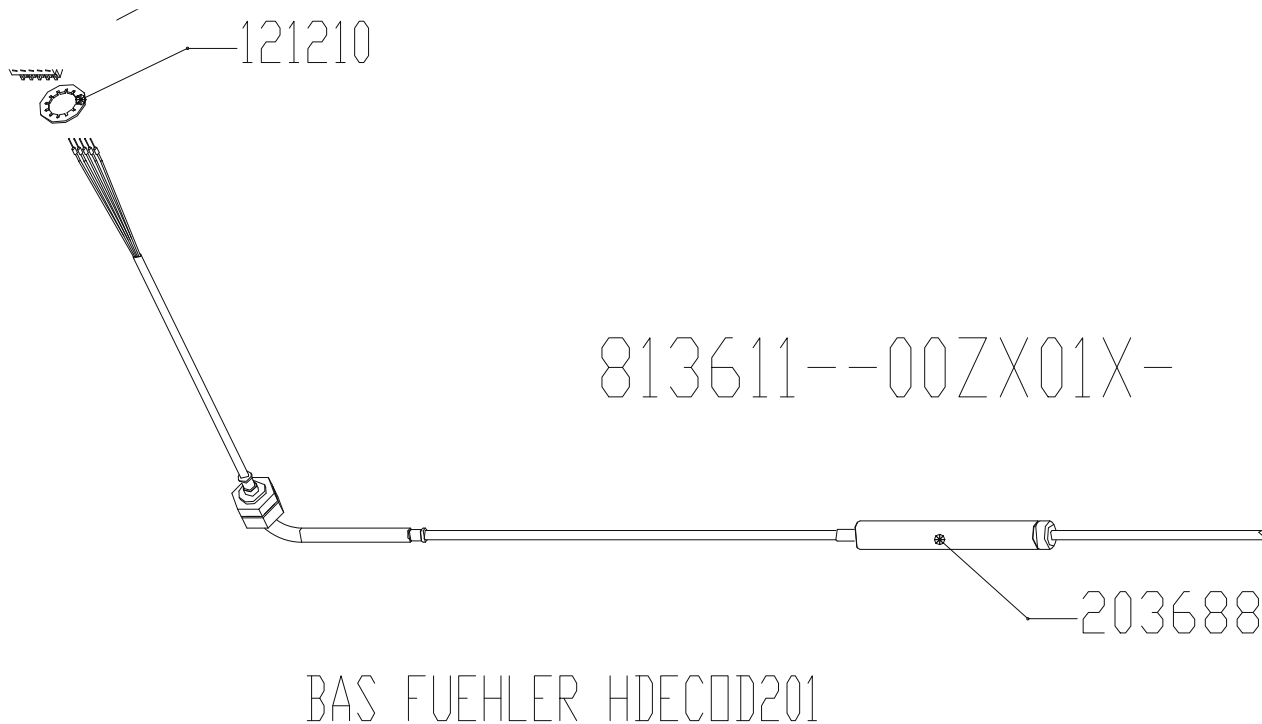
Aus Stueckliste nicht dargestellt:

Not shown:

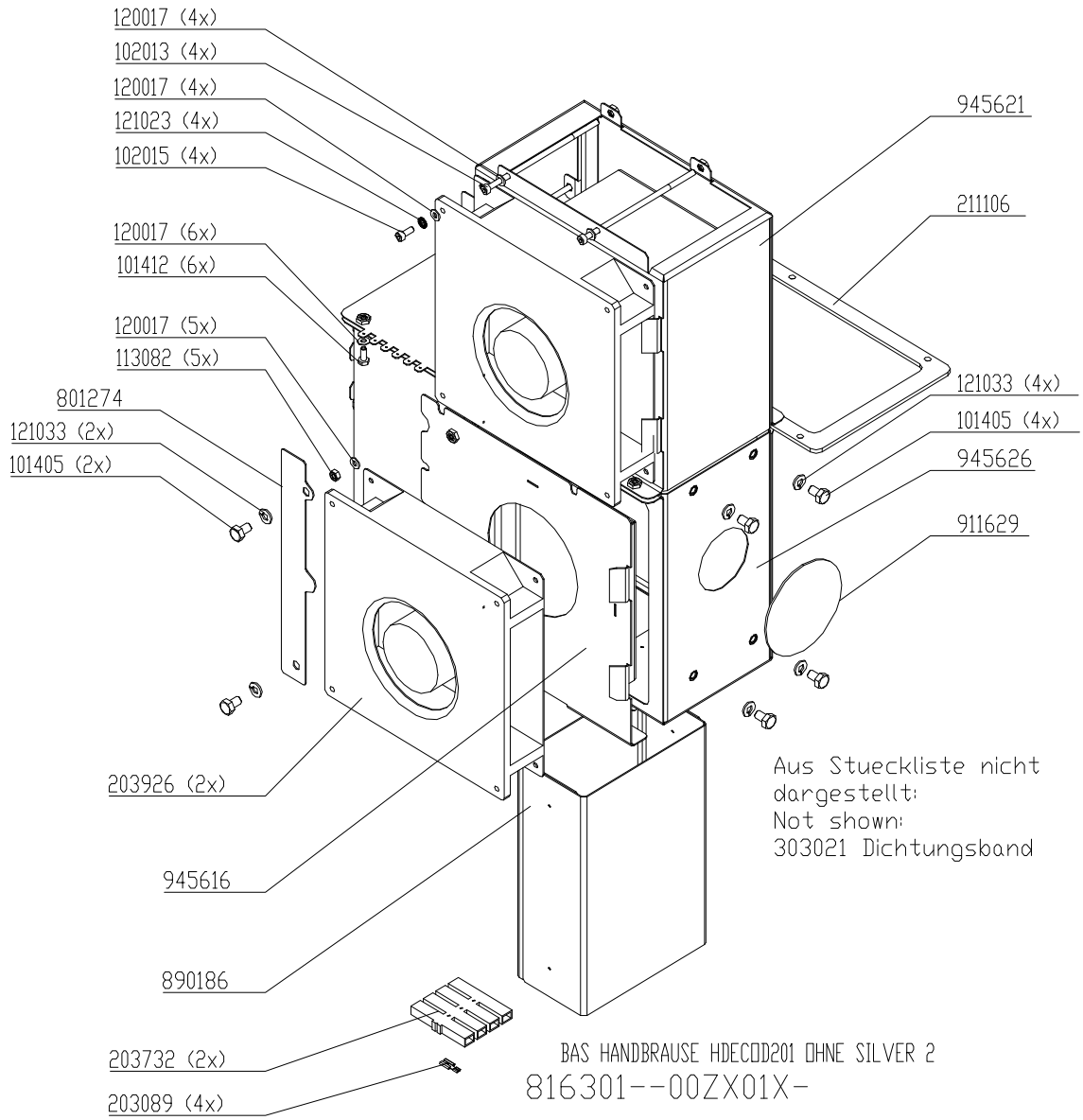
202682 Kabelbaum

303019 Waermeleitpaste

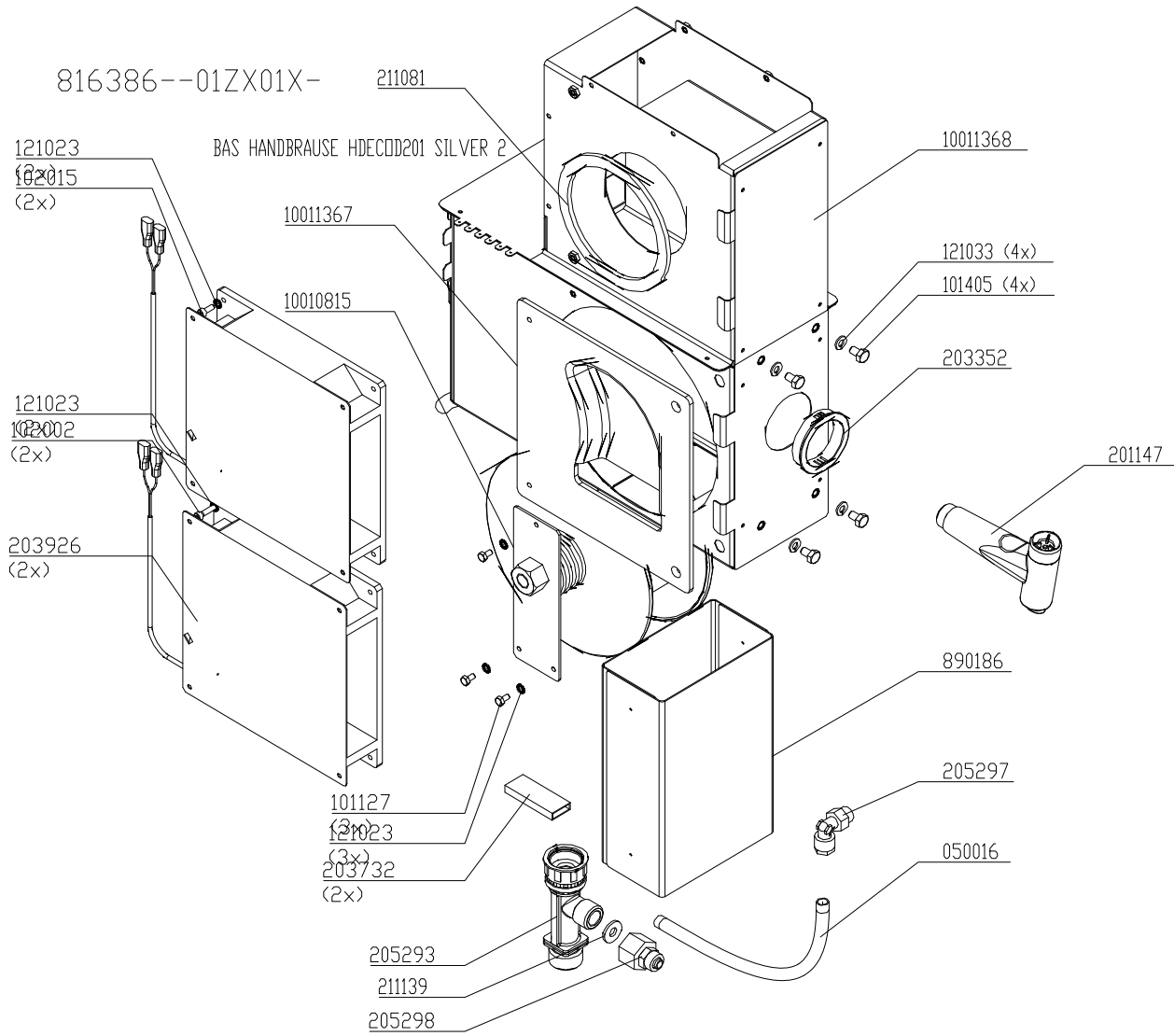
Core temperature probe HD20.x Silver2



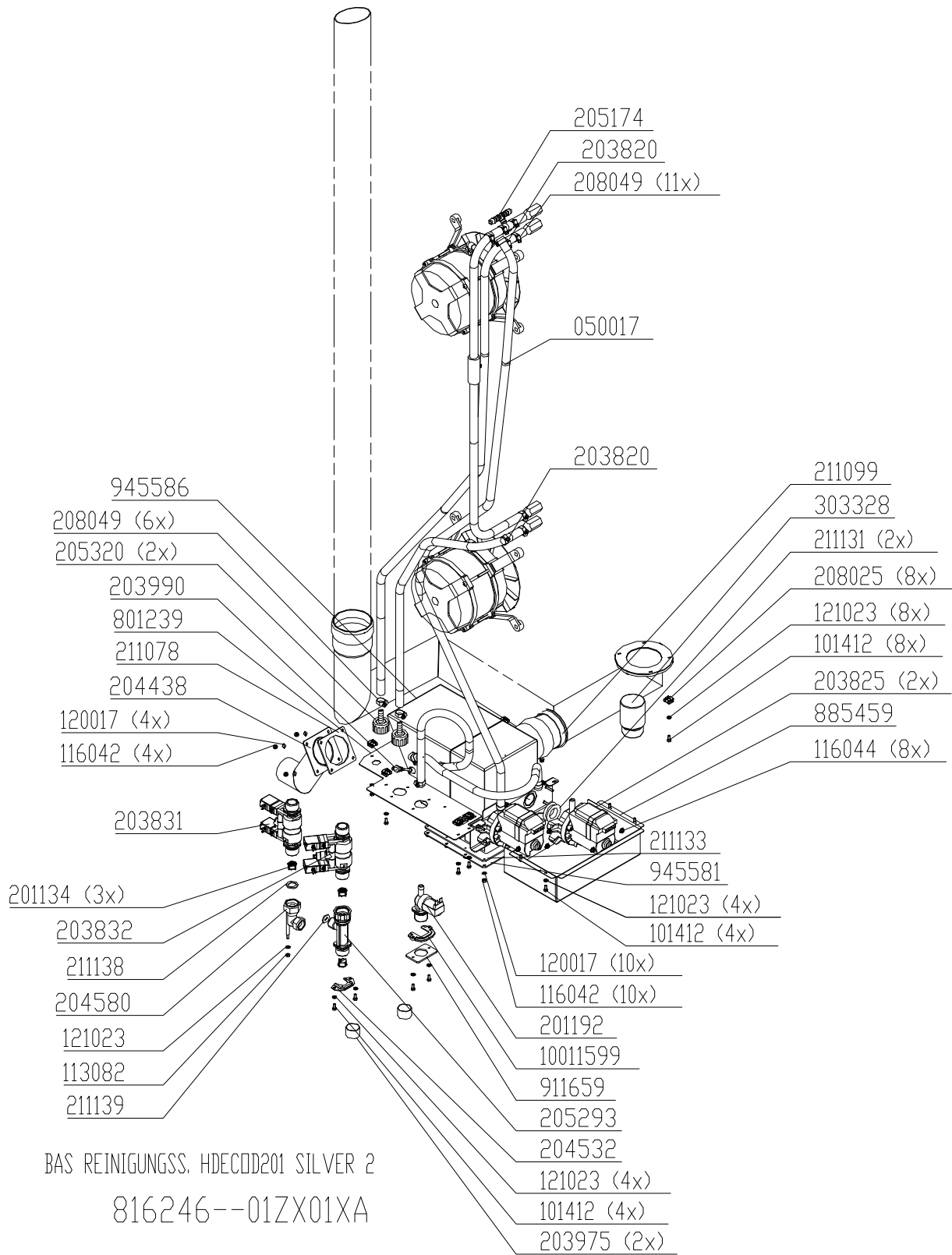
Supply air area 20.x (without hand shower) Silver2



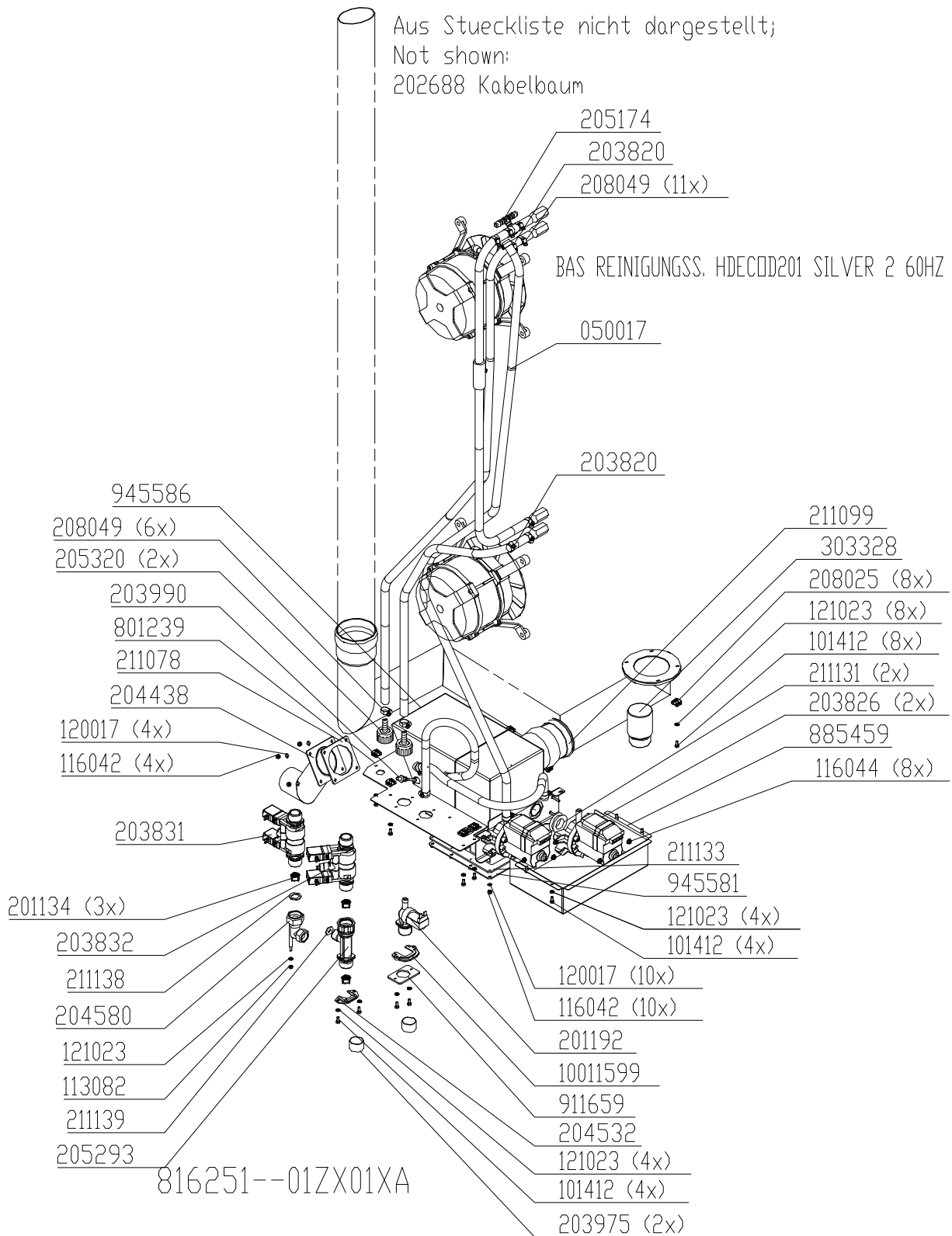
Supply air area 20.x (with hand shower) Silver2



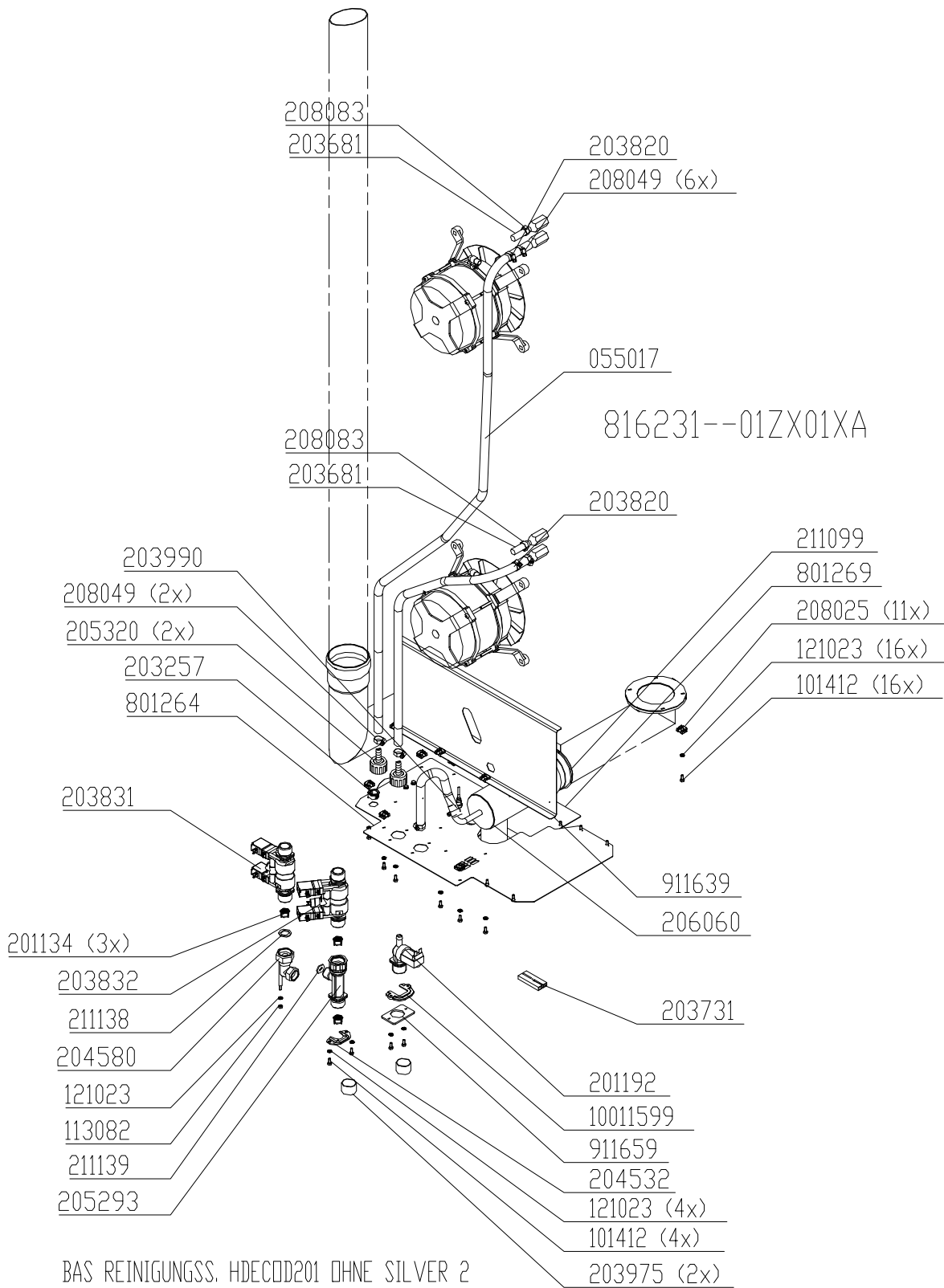
Water assembly with WaveClean 50Hz HD20.x Silver2



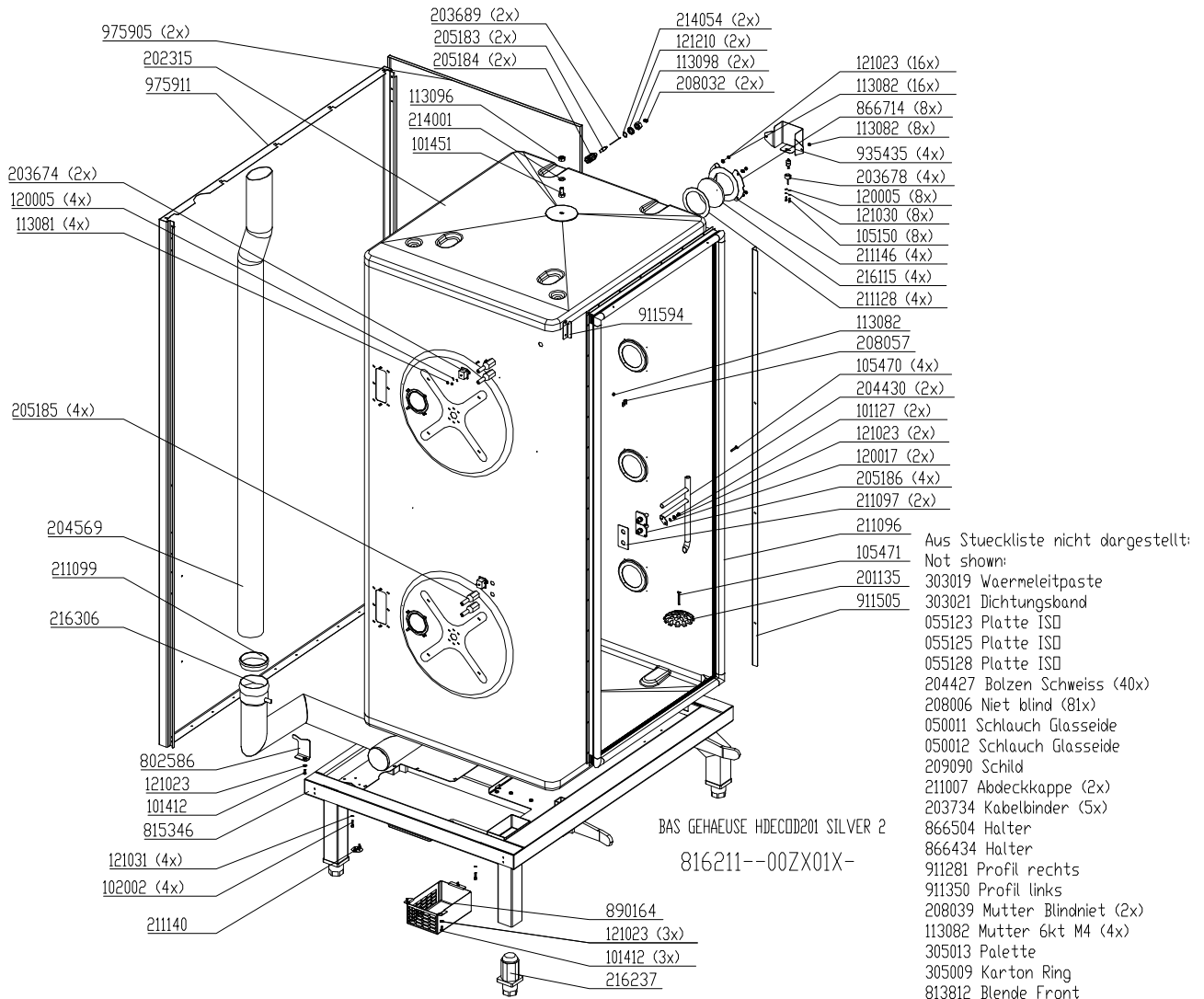
Water assembly with WaveClean 60Hz HD20.x Silver2



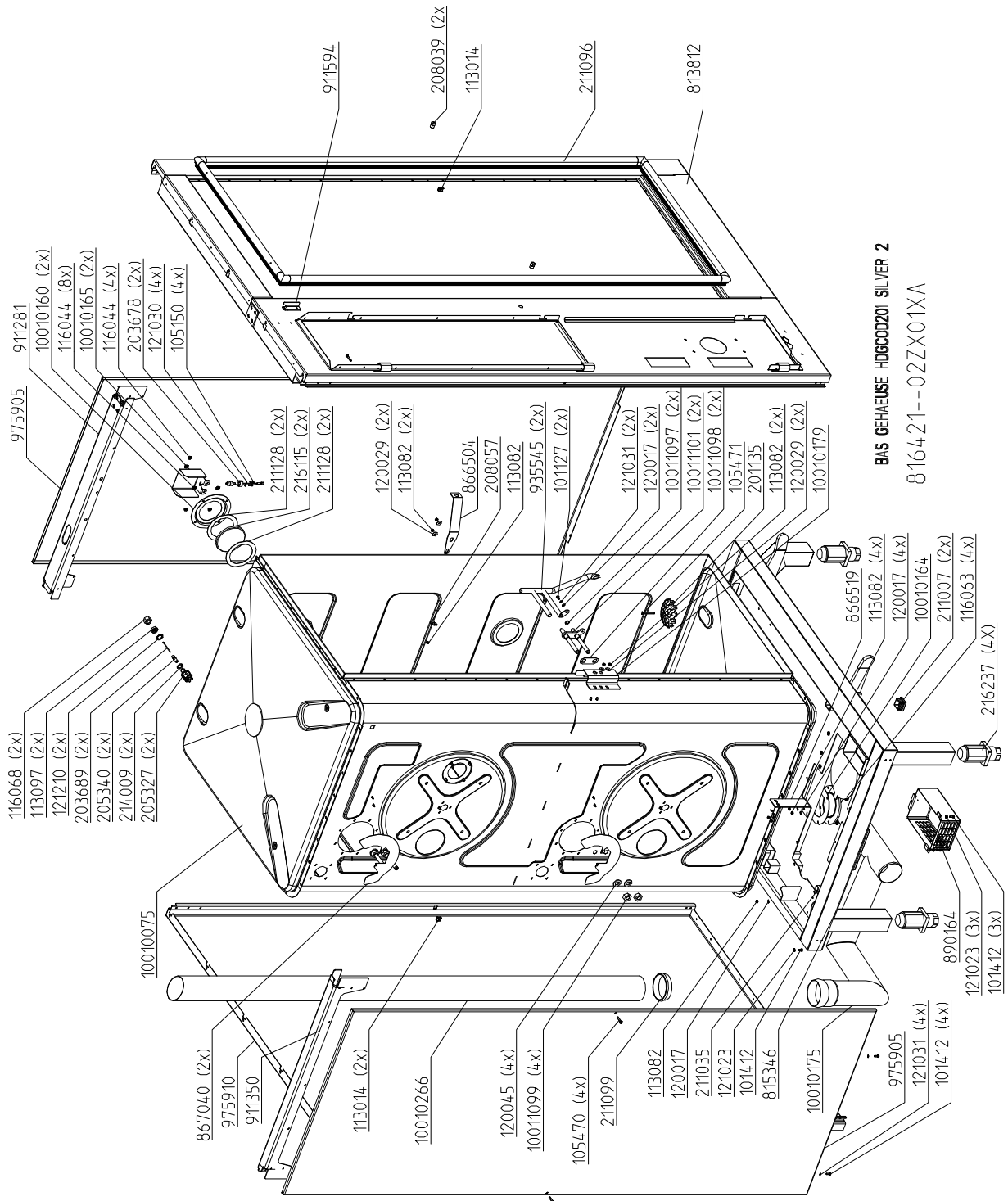
Water assembly without WaveClean HD20.x Silver2



Chassis 20.x Electric Silver2

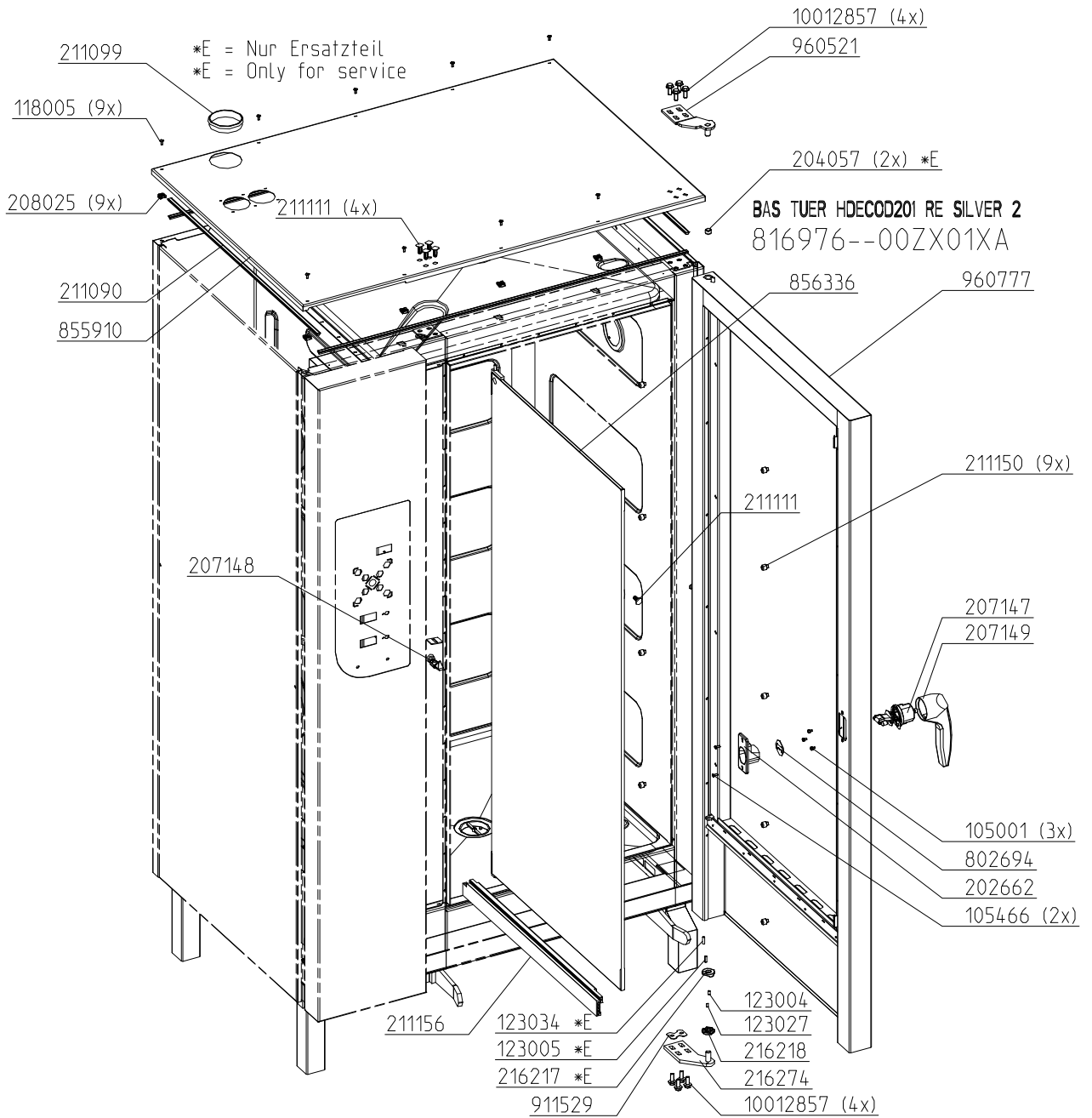


Chassis 20.x Gas Silver2

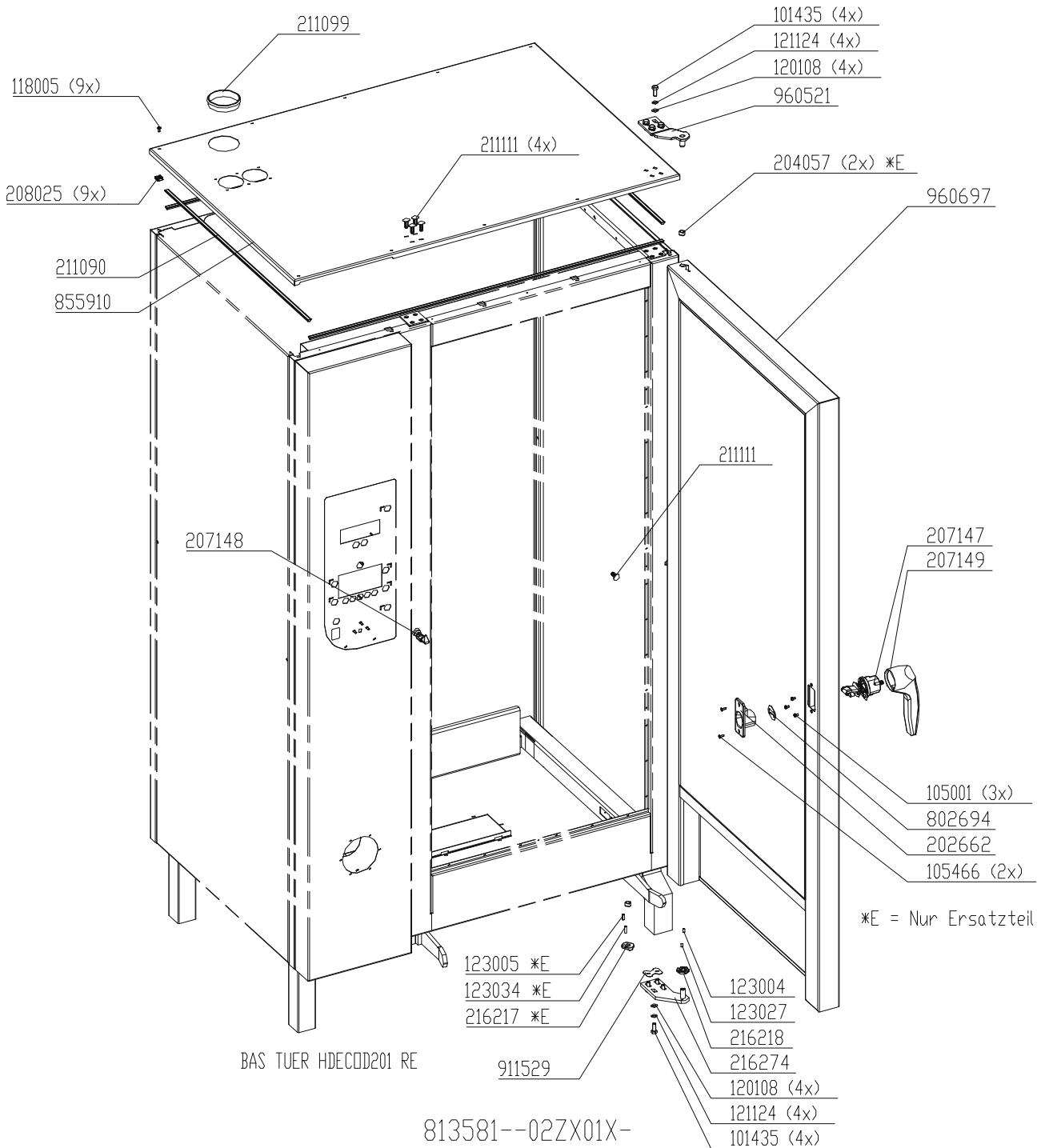


BAS GEHAEUSE HDCC0201 SILVER 2
816421--02ZX01XA

Chassis door area HD20.x electric, right hinged (double glazing)



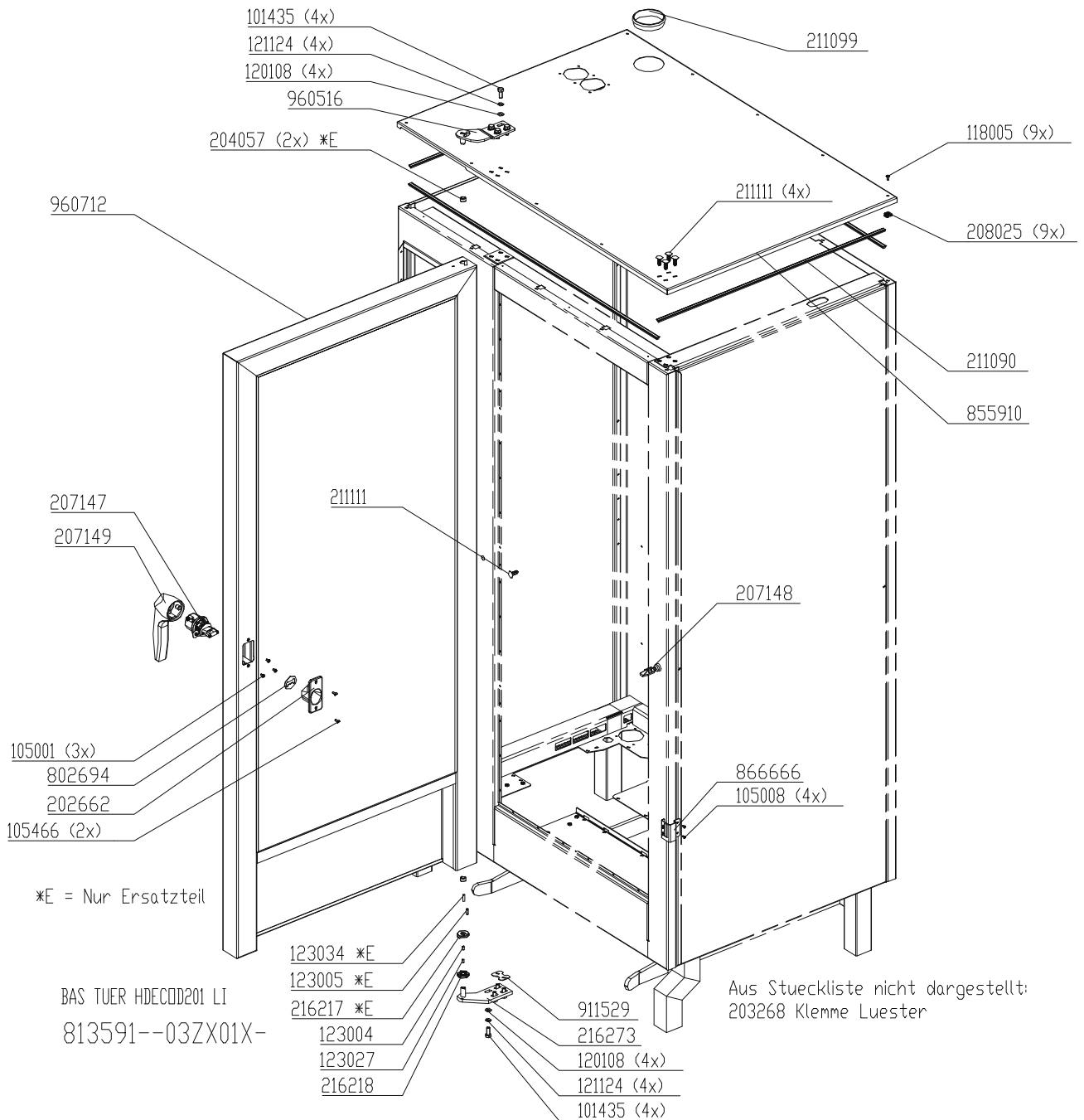
Chassis door area HD20.x, right hinged (Electric)



Bis S/N 09021515: #211104 Profildichtung Garraumtür (mit Pactan eingeklebt)

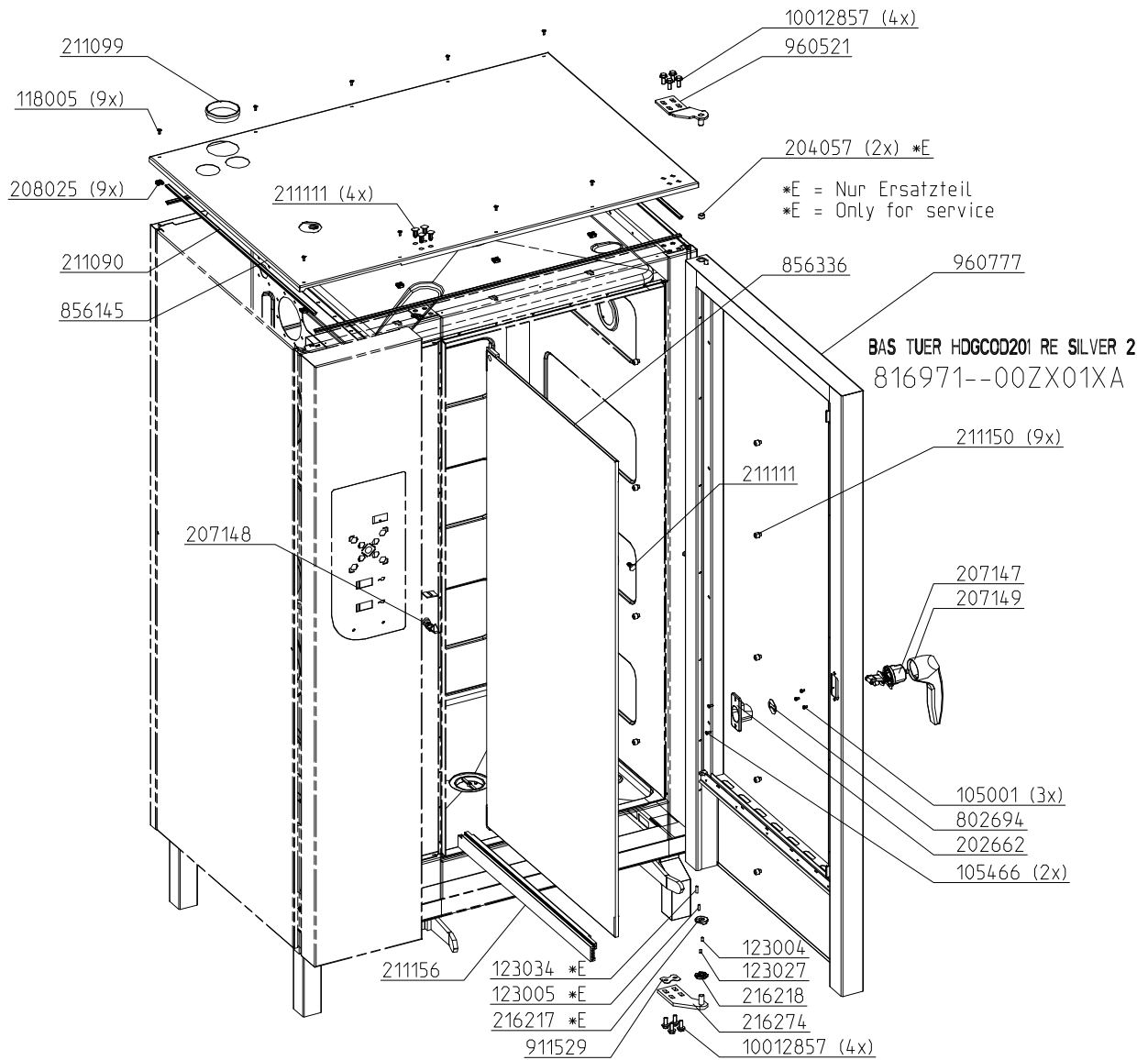
Ab S/N 09021516: Steckbare Profildichtung #211171

Chassis door area HD20.x, left hand hinged (Electric)

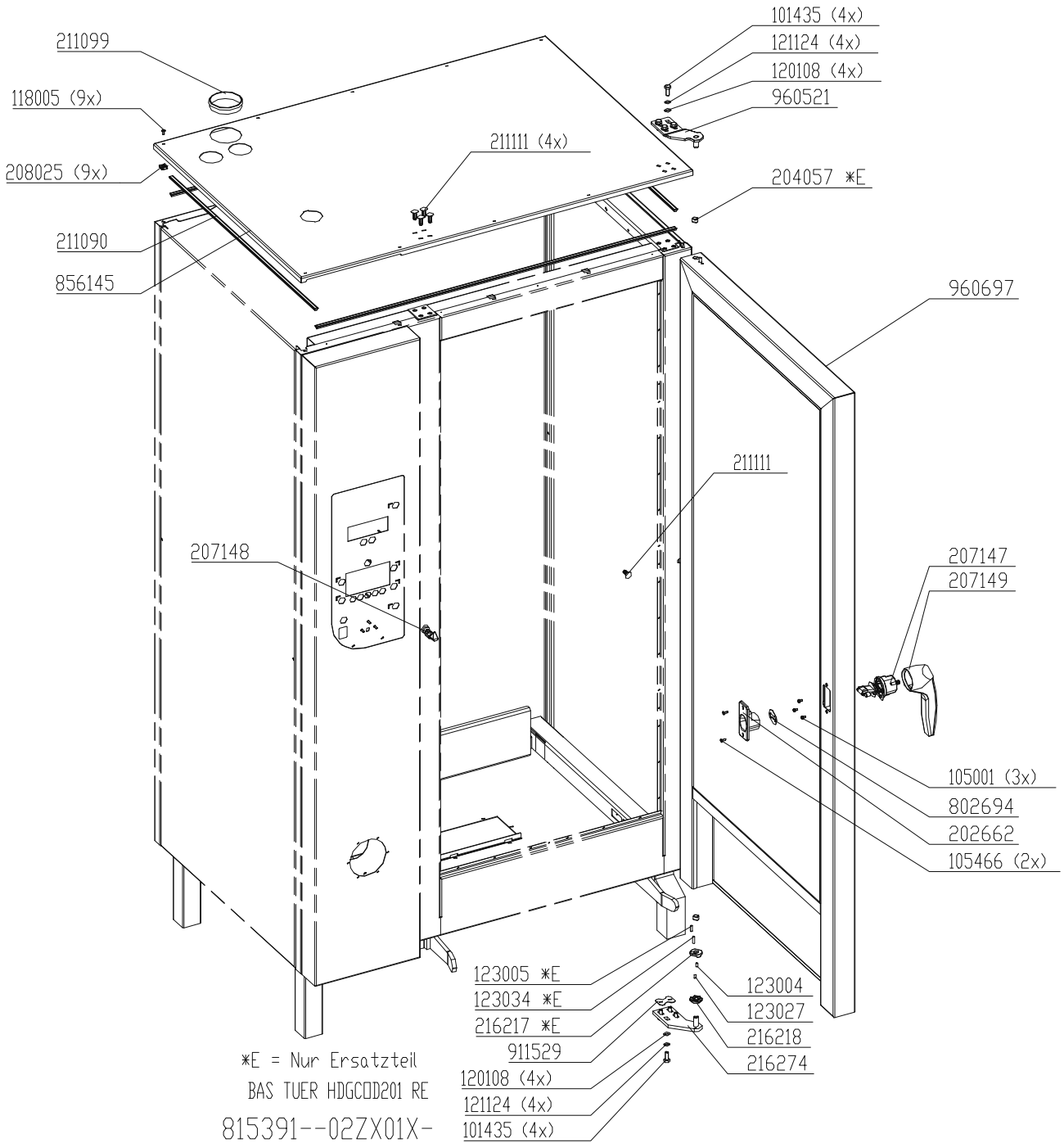


Bis S/N 09021515: #211104 Profildichtung Garraumtür (mit Pactan eingeklebt)
Ab S/N 09021516: Steckbare Profildichtung #211171

Chassis door area HD20.x gas, right hinged (double glazing)

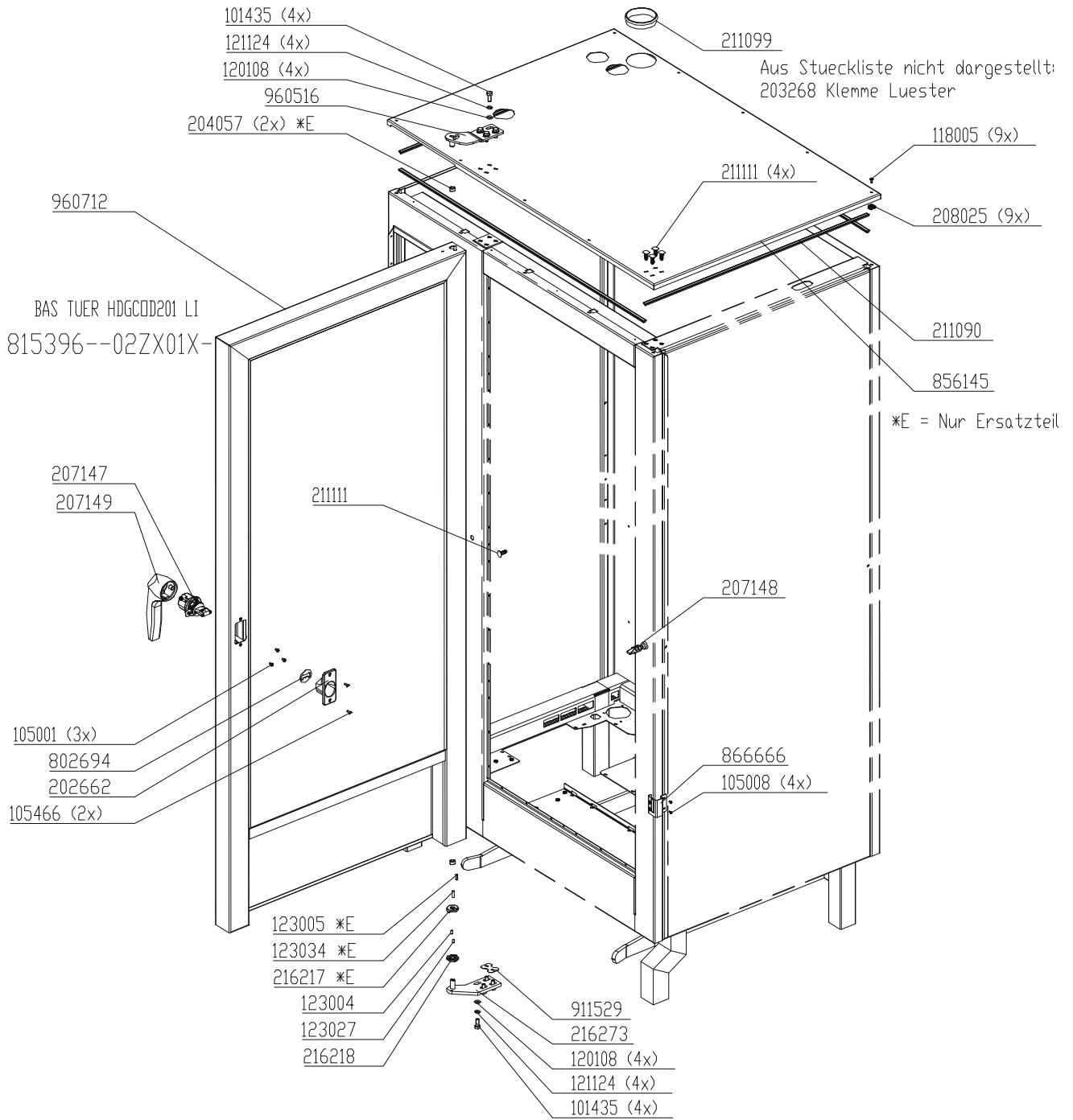


Chassis door area HD20.x, right hinged (Gas)



Door profile seal #211171

Chassis door area HD20.x, left hand hinged



The HansDampf|silver

Door profile seal #211171



MKN Maschinenfabrik
Kurt Neubauer GmbH & Co
Halberstädter Straße
D-38300 Wolfenbüttel
Telefon 0 53 31/ 89-0
Telefax 0 53 31/ 89-280