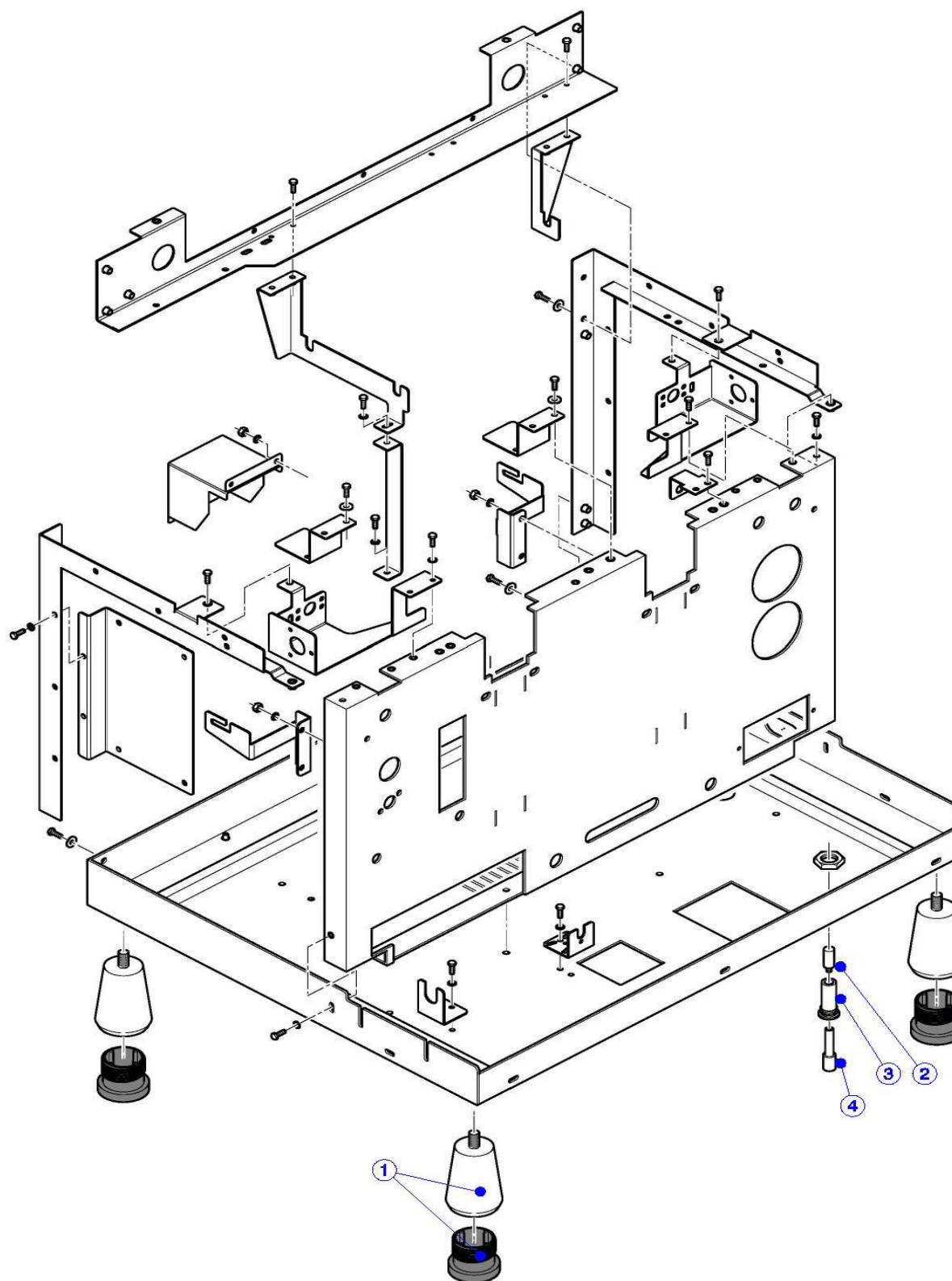




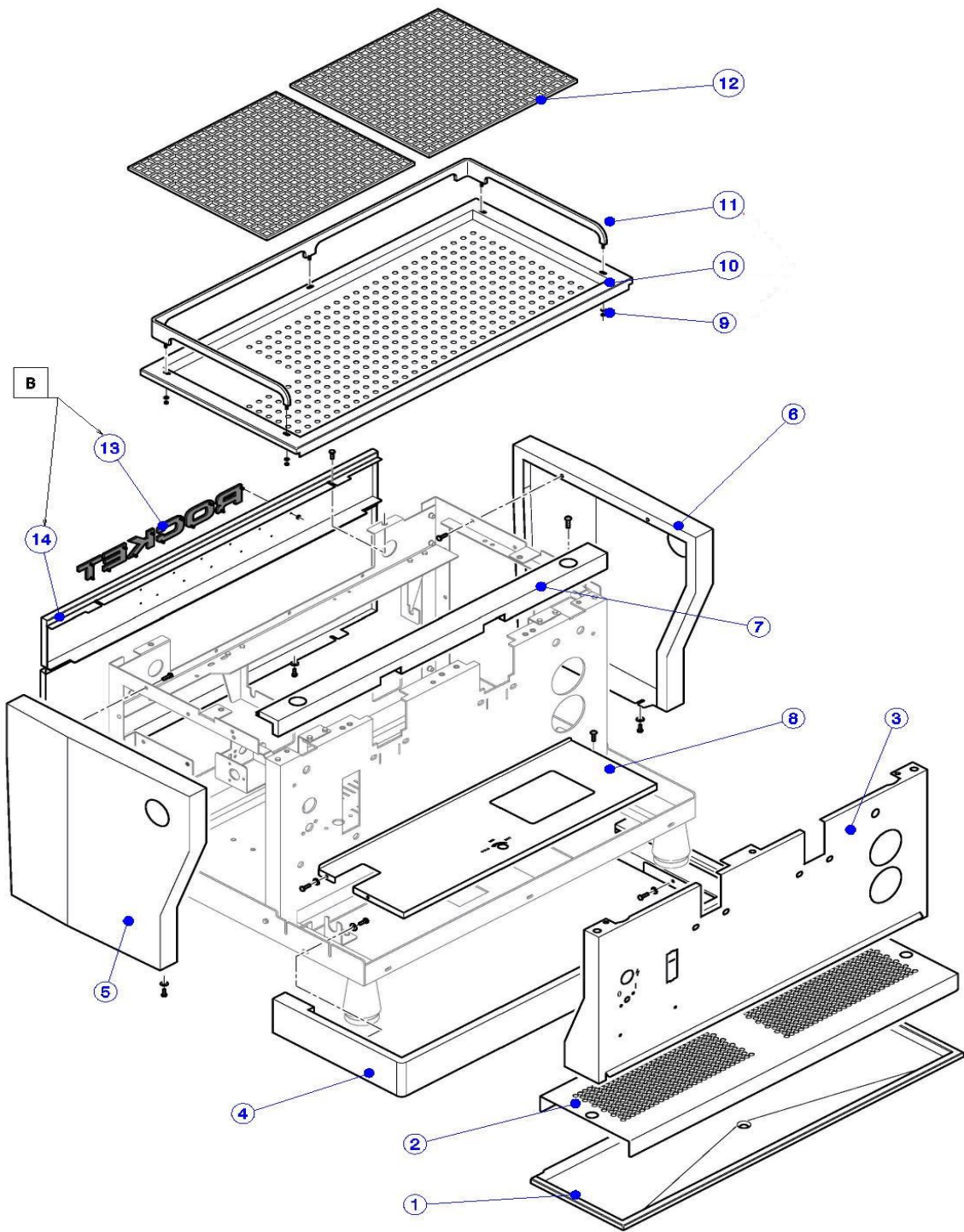
RE DOPPIA

Spare parts catalogue - Ersatzteilkatalog - Catalogue pièces détachées

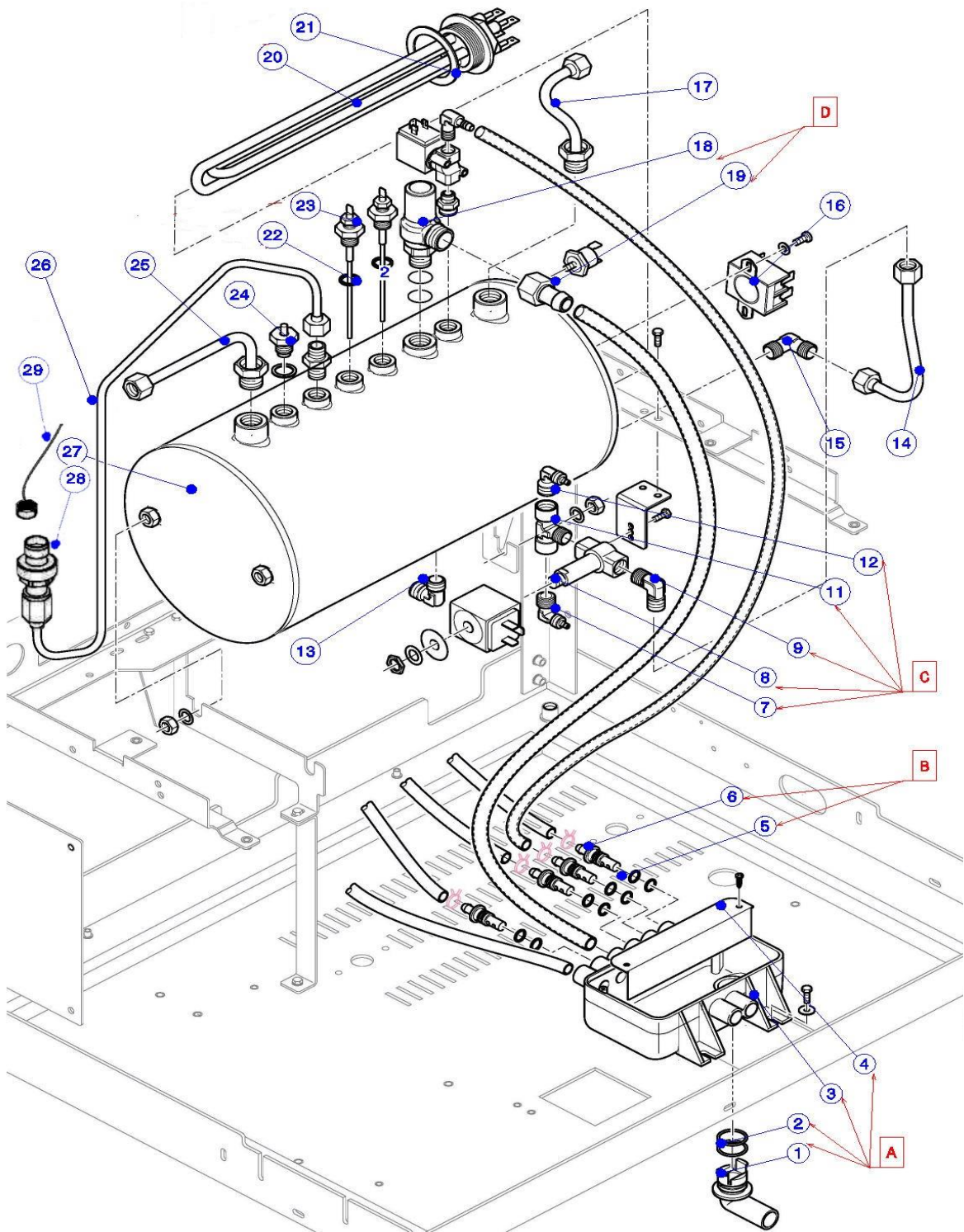
Ed. 10.2019



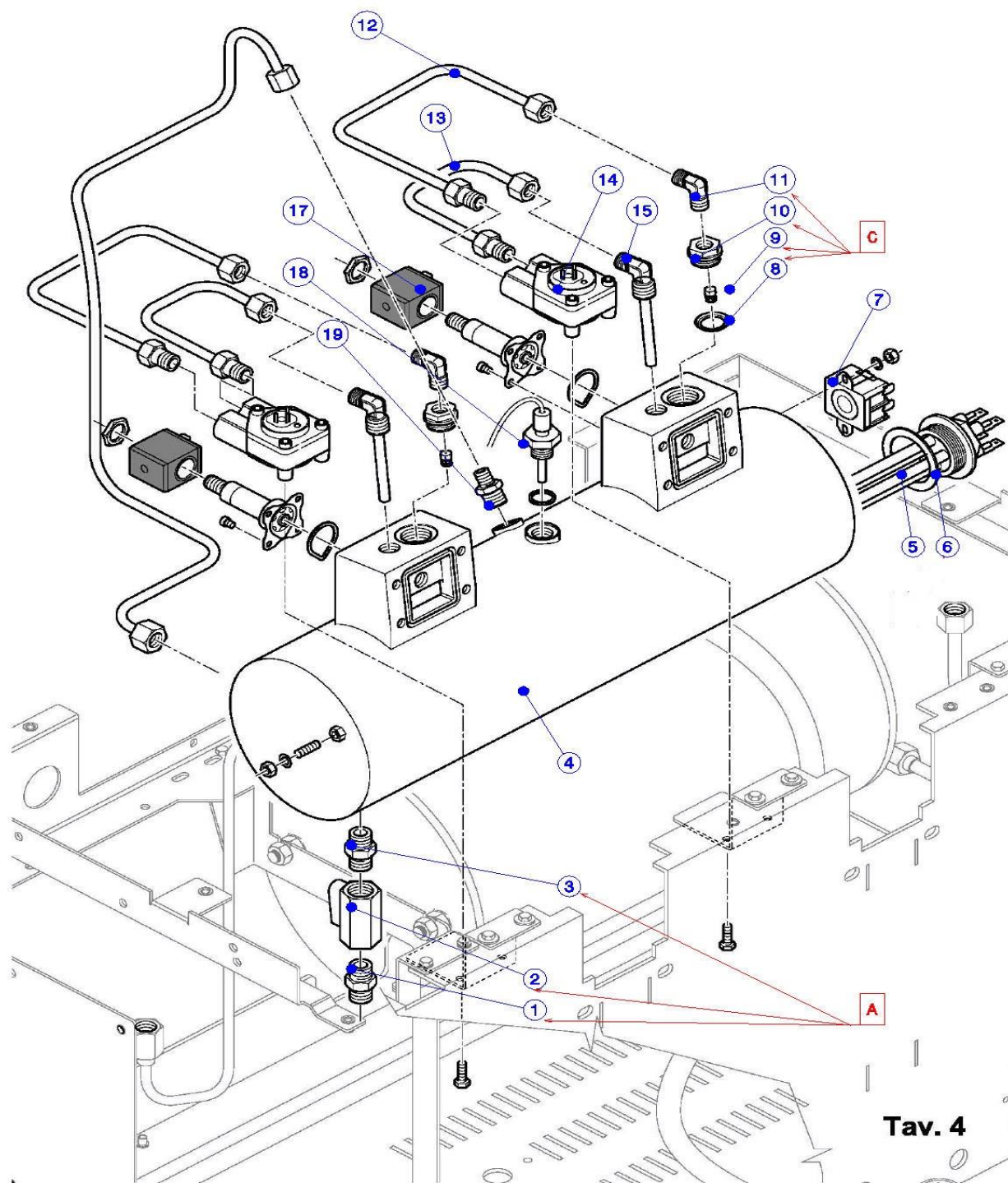
| Pos.# | Description | Beschreibung | Description | Notes |
|-------|-------------|-----------------------|-------------|-------|
| 1 | M059905341 | Foot | | |
| 2 | M519906173 | Ferrule basso version | | |
| | M519906174 | Ferrule thin | | |
| 3 | M519906171 | Clamping bushing | | |
| 4 | M519906172 | Pin | | |



| Pos. # | Description | Beschreibung | Description | Notes |
|--------|-------------|---|-------------|-------|
| 1 | M019905167 | Cups tray 2 group | | |
| | M019905168 | Cups tray 3 group | | |
| | M019905169 | Cups tray 4 group | | |
| 2 | M019904731 | Cups grid 2 group | | |
| | M019904732 | Cups grid 3 group | | |
| | M019904968 | Cups grid 4 group | | |
| 3 | M011006238 | Lower front panel 2 group basso version | | |
| | M011006239 | Lower front panel 3 group basso version | | |
| | M019906309 | Lower front panel 4 group basso version | | |
| | M011006452 | Lower front panel 2 group alto version | | |
| | M011006453 | Lower front panel 3 group alto version | | |
| | M011006454 | Lower front panel 4 group alto version | | |
| 4 | M019906402 | Support 2 group basso version | | |
| | M019906403 | Support 3 group basso version | | |
| | M019906404 | Support 4 group basso version | | |
| | M019906399 | Support 2 group alto version | | |
| | M019906400 | Support 3 group alto version | | |
| | M019906401 | Support 4 group alto version | | |
| 5 | M019906406 | Left hand panel | | |
| 6 | M019906405 | Right hand panel | | |
| 7 | M019906409 | Upper front panel 2 gr | | |
| | M019906410 | Upper front panel 3 gr | | |
| | M019906411 | Upper front panel 4 gr | | |
| 8 | M019905961 | Cover tray 2 group | | |
| | M019905962 | Cover tray 3 group | | |
| | M019905963 | Cover tray 4 group | | |
| 9 | A319904307 | Nut M3 | | |
| 10 | M019906396 | Cup tray 2 group | | |
| | M019906397 | Cup tray 3 group | | |
| | M019906398 | Cup tray 4 group | | |
| 11 | M619906393 | Frame 2 group | | |
| | M619906394 | Frame 3 group | | |
| | M619906395 | Frame 4 group | | |
| 12 | M649904850 | Black plastic grid | | |
| 13 | M619905518 | Rocket name tag INOX | | |
| | M699905518 | Rocket name tag BLACK | | |
| 14 | M019905991 | Back panel 2 gr | | |
| | M019905992 | Back panel 3 gr | | |
| | M019905993 | Back panel 4 gr | | |

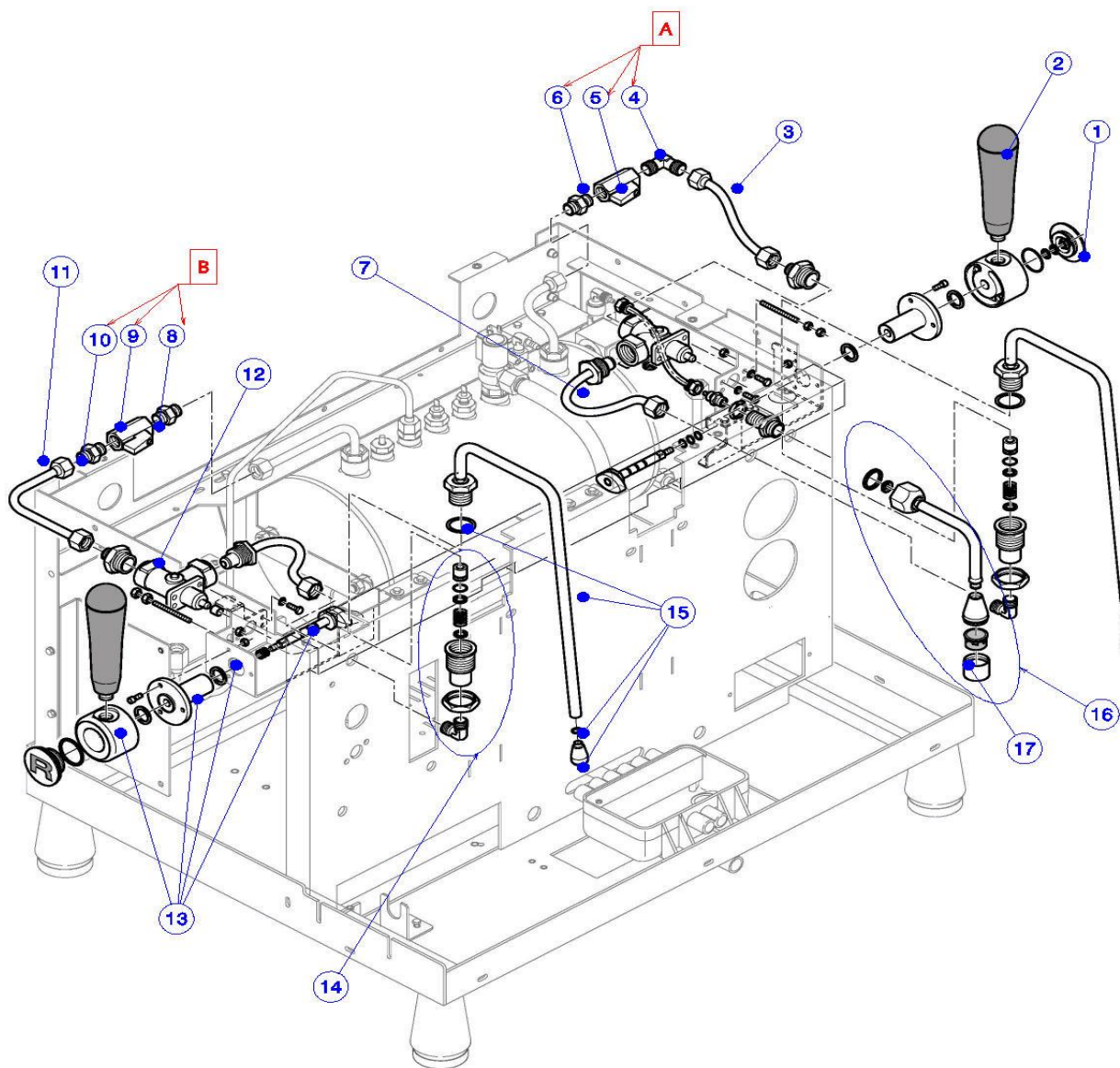


| Pos. # | Description | Beschreibung | Description | Notes |
|--------|-------------|--|-------------|-------|
| 1 | M439905384 | Swivelling connector | | |
| 2 | M449905463 | Gasket | | |
| 3 | M439905383 | Drain tray | | |
| 4 | M019905381 | Stirrup Drain tray | | |
| 5 | C449900702 | OR for diffuser | | |
| 6 | M529905382 | Diffuser | | |
| 7 | A229904442 | Connector L 1/4 M-tube 6x4 | | |
| 8 | M199905791 | Solenoid Valve 2-way 1/4 D2.5 V220/50-240/60 | | |
| 9 | C229900525 | Connector 1/4 M-M | | |
| 11 | M229905900 | Connector T 1/4 F-M-F | | |
| 12 | A229904442 | Connector L 1/4 M-tube 6x4 | | |
| 13 | C229900525 | Connector 1/4 M-M | | |
| 14 | M279906312 | Hot Water pipe | | |
| 15 | C229900525 | Connector 1/4 M-M | | |
| 16 | M199904767 | Thermostat 130 °C | | |
| 17 | M279906579 | Steam Pipe | | |
| 18 | M229906083 | Safety valve 1,8 bar | | |
| 19 | M229905111 | Connector 1/2 F | | |
| 20 | M199905695 | Heating elements 3000W | | |
| | M199905696 | Heating elements 3500W | | |
| | M179906345 | Heating elements 4000W | | |
| 21 | A269904671 | Gasket heating element 1 1/4" | | |
| 22 | A269904417 | Gasket level control probe 1/4" | | |
| 23 | M199904821 | Level control probe | | |
| 24 | M229906526 | Vacuum valve | | |
| 25 | M279906578 | Steam Pipe | | |
| 26 | M279906527 | Pressure transducer pipe | | |
| 27 | M219905189 | Service Boiler 2 gr | | |
| | M219905190 | Service Boiler 3gr | | |
| | M219906339 | Service Boiler 4gr | | |
| 28 | M199905422 | Pressure trasducer | | |
| 29 | M199905423 | Pressure transducer cable | | |
| A | R249906856 | Kit drain tray | | |
| B | R229906857 | Kit diffuser | | |
| C | R229906858 | Kit mixer hot water | | |
| D | R229906859 | Kit safety valve Professional | | |

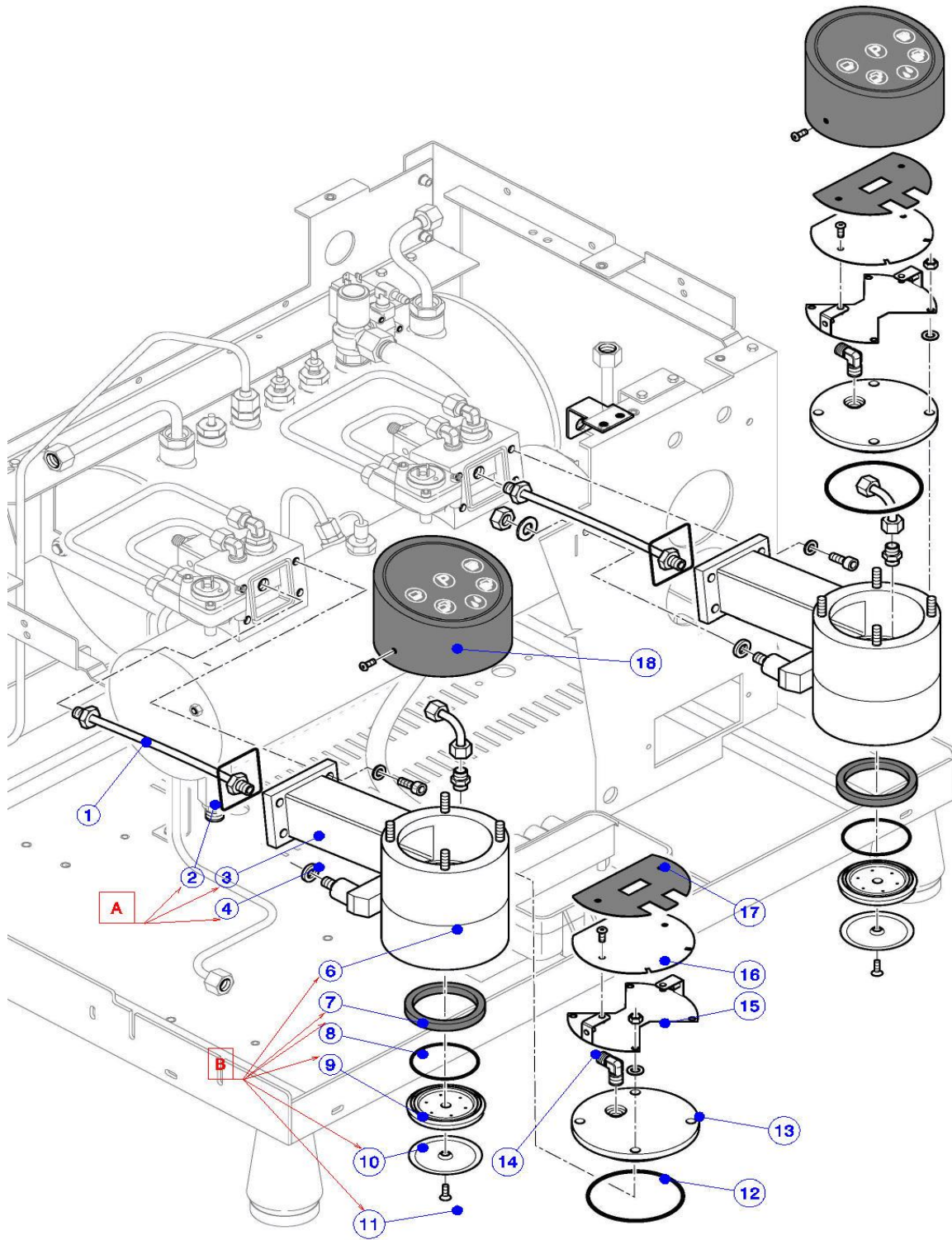


Tav. 4

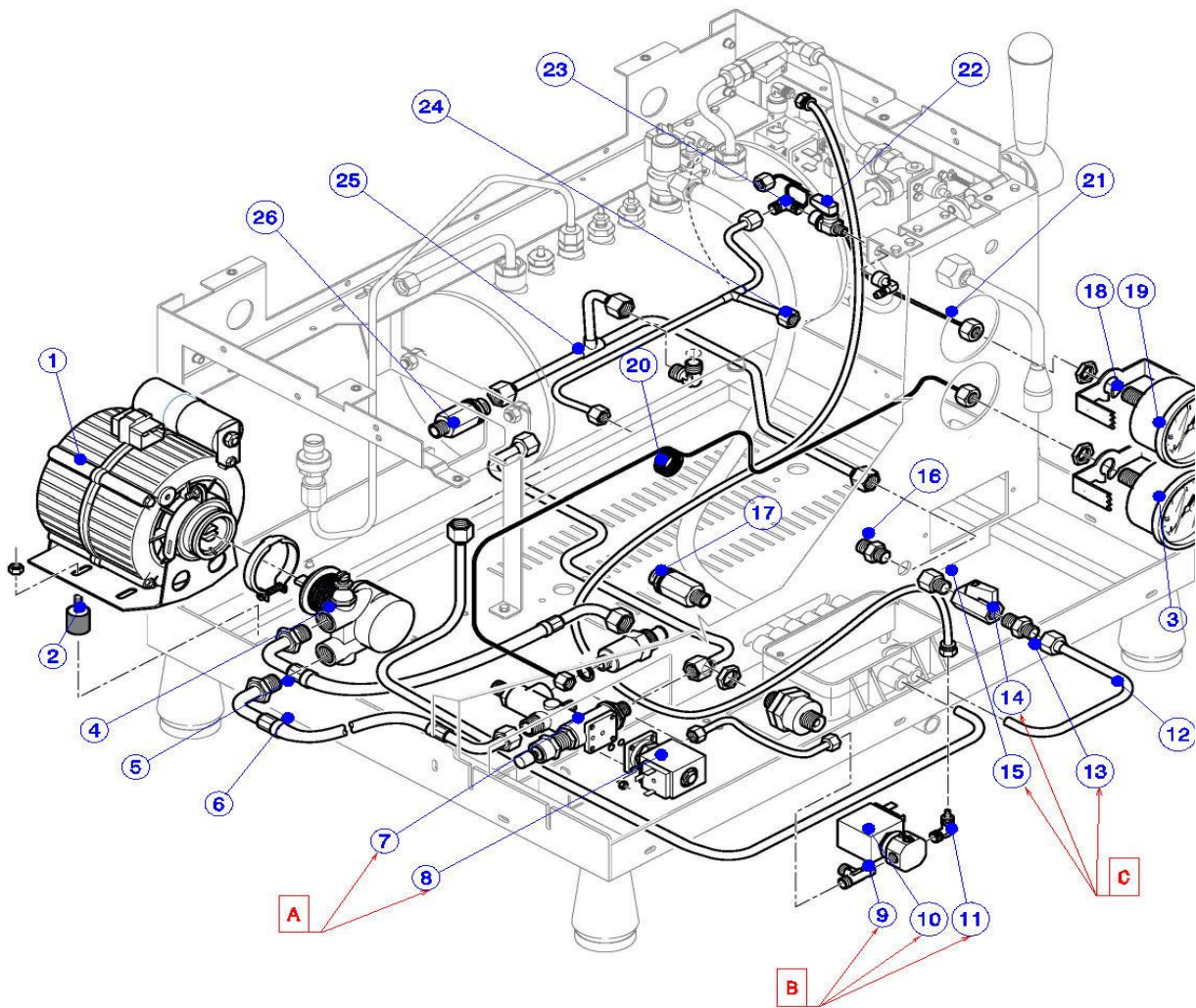
| Pos. # | Description | Beschreibung | Description | Notes |
|--------|-------------|-------------------------------|-------------|-------|
| 1 | C229900520 | Connector 1/4 M-M | | |
| 2 | M229904791 | Tap 1/4 F-F | | |
| 3 | C229900520 | Connector 1/4 M-M | | |
| 4 | M219906244 | Coffee boiler 2 gr | | |
| | M219906245 | Coffee boiler 3gr | | |
| | M219906528 | Coffee boiler 2gr (for 4gr) | | |
| 5 | M179906227 | Heating element 1650W | | |
| | M179906228 | Heating element 2000W | | |
| 6 | C469900239 | Gasket heating elements 1" | | |
| 7 | M199904767 | Thermostat 130°C | | |
| 8 | A449904331 | Gigleur gasket | | |
| 9 | R619905547 | Gigleur 0,8 | | |
| 10 | M229906329 | Gigleur top | | |
| 11 | A229904355 | Connector 1/8 M | | |
| 12 | M219906314 | Pipe | | |
| 13 | M279906313 | Pipe | | |
| 14 | M229904783 | Flowmeter | | |
| 15 | M279905843 | Injector | | |
| 17 | M199905792 | Solenoid valve 3-way V230 | | |
| 18 | A119905081 | Temperature control probe D.3 | | |
| 19 | M229904822 | Connector 1/4 - 1/8 M-M | | |
| A | R219906864 | Kit tap 1/8 M/F Coffee Boiler | | |
| C | R229906867 | Kit gigleur | | |



| Pos. # | Description | Beschreibung | Description | Notes |
|--------|-------------|-------------------------|-------------|-------|
| 1 | A529R04649 | Steam knob "R" | | |
| 2 | M699905528 | Steam tap lever | | |
| 3 | M279906326 | Steam pipe dx | | |
| 4 | C229900525 | Connector L 1/4 M-M | | |
| 5 | M229904791 | Tap 1/4 F-F | | |
| 6 | C229900520 | Connector 1/4 M-M | | |
| 7 | M279906570 | Steam pipe | | |
| 8 | C229900520 | Connector 1/4 M-M | | |
| 9 | M229904791 | Tap 1/4 F-F | | |
| 10 | C229900520 | Connector 1/4 M-M | | |
| 11 | M279906327 | Steam pipe 2 gr | | |
| | M279906325 | Steam pipe 3 gr | | |
| 12 | M229905343 | Steam valve lever | | |
| 13 | M229905893 | Steam leverage assembly | | |
| 14 | M529905380 | Steam wand joint | | |
| 15 | M219906508 | Steam wand | | |
| 16 | M219906417 | Hot water wand | | |
| 17 | R299905217 | Hot water nozzle | | |
| A | R219906868 | Kit steam tap right | | |
| B | R219906864 | Kit steam tap left | | |



| Pos. # | Description | Beschreibung | Description | Notes |
|--------|-------------|----------------------------|-------------|-------|
| 1 | M279905830 | Dispencing connection pipe | | |
| 2 | R499905544 | OR 3187 | | |
| 3 | M219905995 | Upper group body | | |
| 4 | M499906587 | Support group spacer | | |
| 6 | M219905894 | Lower group body | | |
| 7 | C449900229 | Group gasket | | |
| 8 | R499905544 | OR 3187 | | |
| 9 | M229905305 | Shower support | | |
| 10 | M619905432 | Shower foil | | |
| 11 | R319905585 | Screw M5 x 12 TS inox | | |
| 12 | M449905837 | OR 4250 | | |
| 13 | M219906219 | Upper group flange | | |
| 14 | A229904351 | Connector L 1/8 M tube 6x4 | | |
| 15 | M019906382 | Control panel stirrup | | |
| 16 | M019906594 | isolator | | |
| 17 | M449906595 | Anti-steam gasket | | |
| 18 | M199906546 | Control panel 6 botton | | |
| | M199906547 | Control panel 4 botton | | |
| A | R219906869 | Kit upper saturated group | | |
| B | R219906870 | Kit lower saturated group | | |



| Pos. # | Description | Beschreibung | Description | Notes |
|--------|-------------|--------------------------------|-------------|-------|
| 1 | M199904779 | Pump engine | | |
| 2 | M499904781 | Anti-vibration support | | |
| 3 | M299905566 | Boiler pressure gauge 0-3 bar | | |
| 4 | M229904780 | Pump 104 Lt (2 group/3 group) | | |
| | M229904820 | Pump 150 Lt (4 group) | | |
| 5 | M219904694 | Inlet flex pipe | | |
| 6 | M219904695 | Outlet flex pipe | | |
| 7 | M229904813 | Valve block | | |
| 8 | M199905792 | Solenoid valve 2-way 230V | | |
| 9 | A229904358 | Connector T 1/8 M-M-M | | |
| 10 | M199905794 | Solenoid valve mix 230 V | | |
| 11 | A229904442 | Connector 1/4 M tube 6x4 | | |
| 12 | M279905508 | Pipe | | |
| 13 | C229900520 | Connector 1/4 M-M | | |
| 14 | M229904791 | Tap 1/4 F-F | | |
| 15 | A229904320 | Connector 1/4 M-F | | |
| 16 | C229900520 | Connector 1/4 M-M | | |
| 17 | M229906590 | Non-return valve 3/8 M-F | | |
| 18 | M009904997 | Boiler pressure gauge support | | |
| 19 | M299905567 | Boiler pressure gauge 0-20 bar | | |
| 20 | M219904747 | Pump capillary tube | | |
| 21 | M219904748 | Service boiler capillary tube | | |
| 22 | A299904994 | Tap 1/8 MF | | |
| 23 | A229904355 | Connector 1/8 M | | |
| 24 | M279906567 | Air bleed pipe 2gr | | |
| | M279906568 | Air bleed pipe 3gr | | |
| | M279906569 | Air bleed pipe 4gr | | |
| 25 | M279906316 | Service boiler load pipe 2gr | | |
| | M279906317 | Service boiler load pip 3gr | | |
| | M279906318 | Service boiler load pip 4gr | | |
| 26 | M229906029 | Connector 1/4 M-M | | |
| A | R219906871 | Kit valve block RE/R9/DOPPIA | | |
| B | R219906872 | Kit EV mixer | | |
| C | R219906873 | Kit tap boiler | | |

| Pos.# | Description | Beschreibung | Description | Notes |
|-------|-------------|--|-------------|-------|
| 1 | M199906246 | Control board | | |
| 2 | M199905901 | Control light | | |
| 3 | M199905867 | Main switch | | |
| 4 | M529904853 | Control light ring | | |
| 5 | M519905871 | Control light cover | | |
| 6 | M499904788 | Main switch handle | | |
| 8 | M199905387 | Level display | | |
| 9 | M199905113 | Cable support | | |
| 10 | M199904794 | Power cable CE 3 phase | | |
| | M199904795 | Power cable CE single phase under 5000W | | |
| | M199906021 | Power cable CE single phase over 5000W | | |
| | M199904796 | Power cable USA 12 AWG (2 group) | | |
| | M199904797 | Power cable USA 10 AWG (3/4 group) | | |
| 11 | M199904775 | Display | | |
| 12 | M199904790 | Terminal block | | |
| 13 | A190004666 | Relay | | |
| 14 | M559906524 | Relay dissipator | | |