

cod.DW023

**Catalogo ricambi
Spare parts catalog
Catalogue de pièces détachées
Ersatzteilkatalog
Catálogo de repuestos
Catálogo de peças de reposição
Каталог запасных частей**

data:11/03/2024

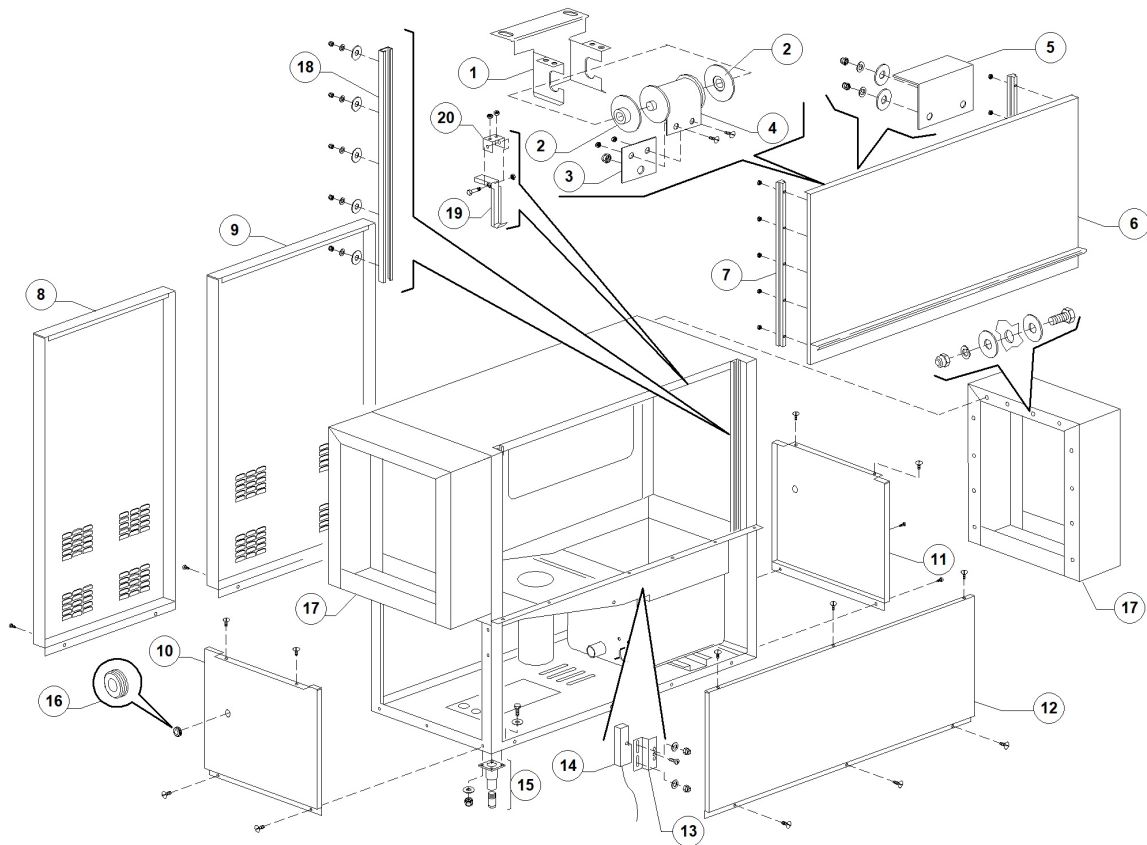
AX220DX LC90 LC91 KIT DDE EAC 400V3N50Hz



S/N:DWM1001937



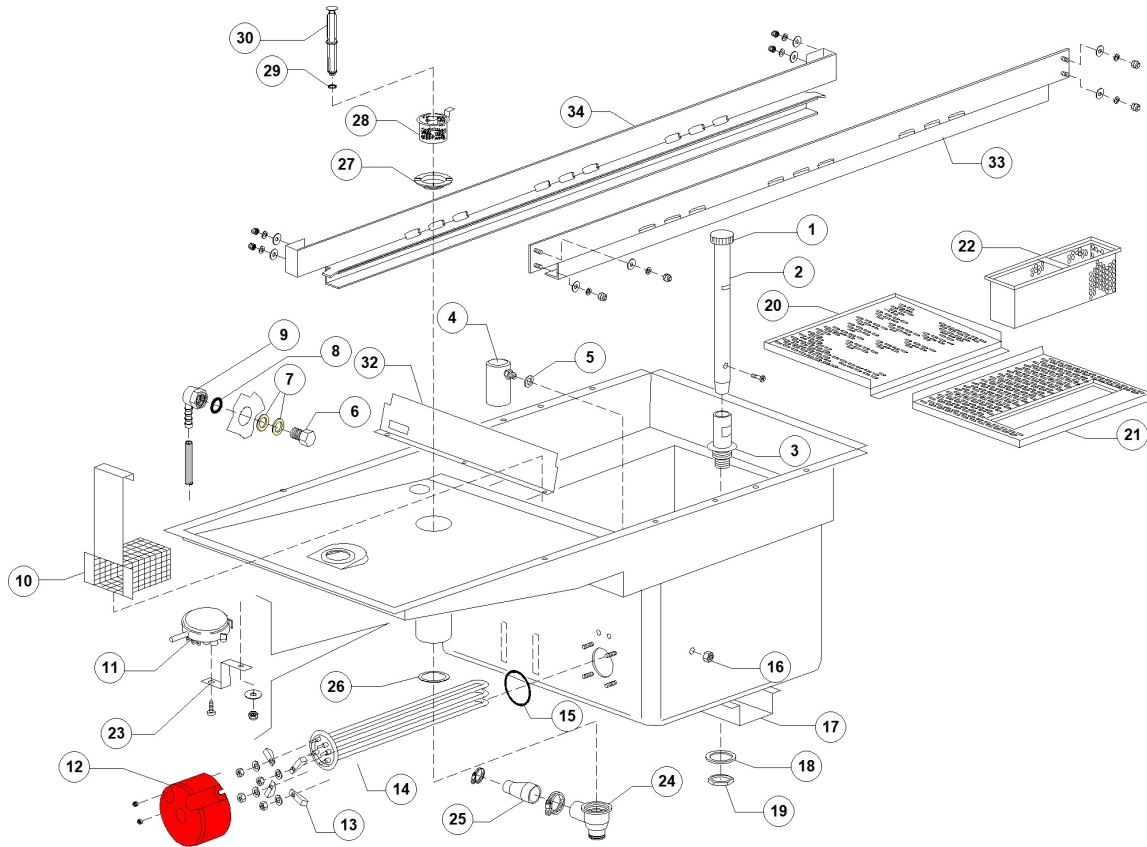
AX220DX LC90 LC91 KIT DDE EAC 400V3N50Hz - DWM1001937 - General body parts L=1300 (1) - DW023



AX220DX LC90 LC91 KIT DDE EAC 400V3N50Hz - DWM1001937 - General body parts L=1300 (1) - DW023

Pos.	Code	Descrizione	Description
1	DW3009664	#STAFFA SUP.MOLLA BBSR21/23 2003 (N)	SPRING SUPPORT BRACKET BBSR21/23 2003
2	DW3004012	SPALLA SUPPORTO MOLLA PORTA	SPRING HOLDER
3	DW3009555	#PIASTRINA FIX MOLLA TRAINO AX151	SPRING CLAMPING PLATE
4	DW3004011	MOLLA INOX X PORTA MOD.BBSR23	DOOR SPRING BBSR23
5	DW3009269	#SQ.FINE CORSA PORTA	DOOR STOP
6	DW3009404	#ASSIEME PORTA MOD.1300 COMPLETA	DOOR ASSEMBLY
7	DW3004026	PROFILO PATTINO GUIDA PORTA L760	
8	DW3060083	#PANNELLO POSTERIORE L600 FX	BACK PANEL L600 FX
9	DW3060081	#PANNELLO POSTERIORE L700 FX	BACK PANEL L700 FX
10	DW3009188	#PIEG. SOTTOPORTA LATERALE SX	#COVER LEFT
11	DW3009189	#PIEG. SOTTOPORTA LATERALE DX	#COVER RIGHT
12	DW3009465	#SOTTOPORTA ANTERIORE PER AX	FRONT COVER
13	DW3009112	PIEG. SUPPORTO MAGNETE PER PORTA	ECONOMIZER MICROSWITCH SUPPORT
14	DW3003112	REED MICRO PORTA E530	MAGNETIC REED SWITCH
15	DW80116	"PIEDINO 2" REG. 112-215 A304"	"ADJUSTABLE FOOT 112-215 2""
16	DW13329	PASSACAVO 25X9,5MM PASTIGL.	FAIRLEAD 25X9,5
17	DW3019021	#LC93 PARASPRUZZI (SEMILAV)	SPLASH ZONE
18	DW3009033	PIEG. GUIDA PATTINO	DOOR SLIDING BLOCK
19	DW3000323	#GANCIO PORTA AX/BX	HOOK DOOR
20	DW3000324	STAFFA GANCIO PORTA AX/BX	DOOR ATTACHMENT BRACKET

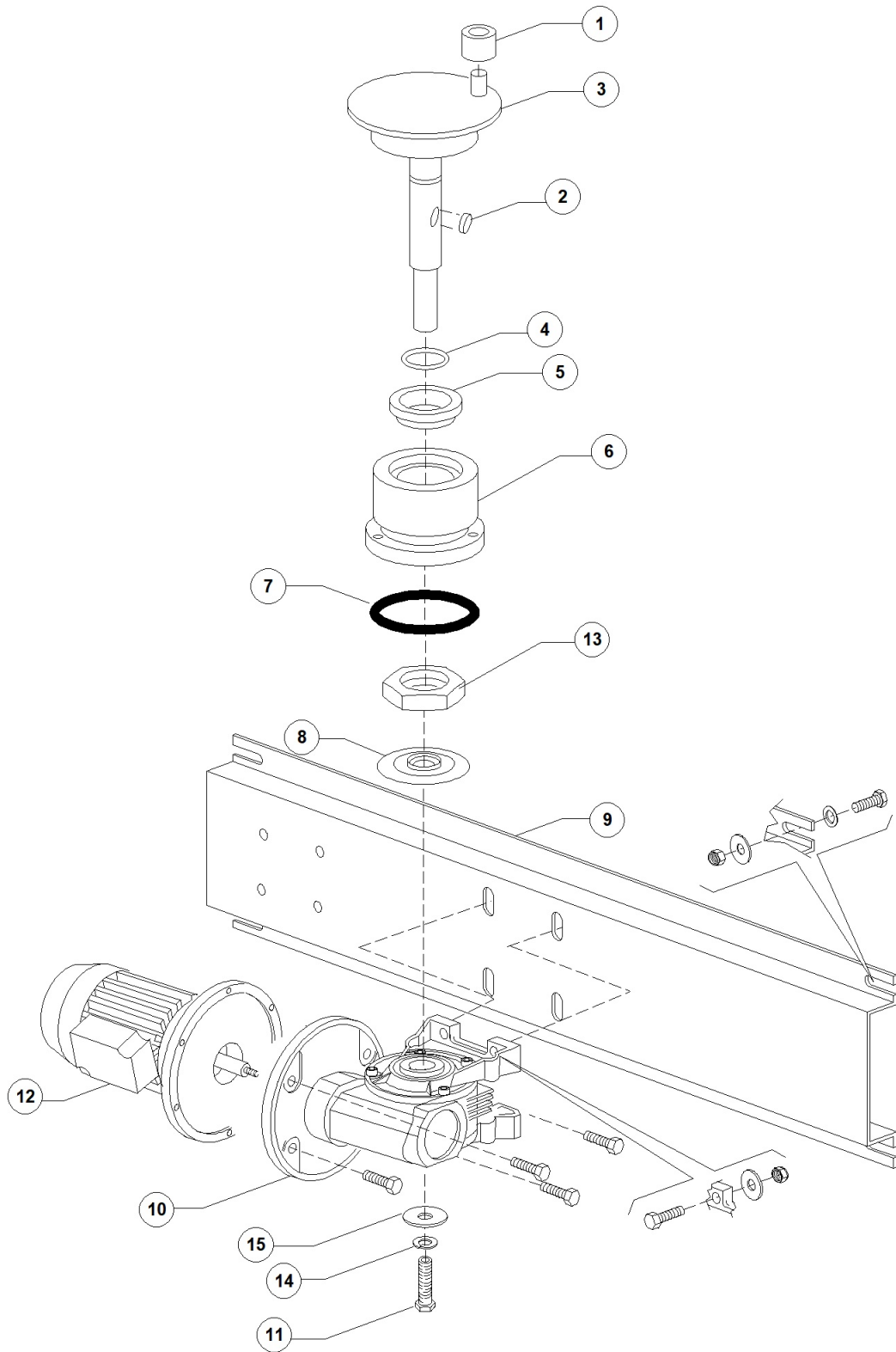
AX220DX LC90 LC91 KIT DDE EAC 400V3N50Hz - DWM1001937 - General body parts L=1300 (2) - DW023



AX220DX LC90 LC91 KIT DDE EAC 400V3N50Hz - DWM1001937 - General body parts L=1300 (2) - DW023

Pos.	Code	Descrizione	Description
1	DW88105	TAPPO TROPPOPIENO GRIGIO	OVERFLOW PIPE PLUG
2	DW2000477	#TROPPO PIENO PER AX- 151	OVERFLOW PIPE AX151
3	DW3004099	#ASSIEME TUBO INNESTO-PILETTA TR.99	
4	DW80106	GABBIA D'ARIA INOX	AIR TRAP ASSEMBLY
5	DW13301	GUARNIZ. IN FASIT 202 D14x8x1,5	O-RING ROLMART D14X8X1,5
6	DW3003128	GOMITO DI CARICO G3/8	LOADING ELBOW G3/8
7	DW10200171	GUARNIZIONE FASIT 25X17X2	GASKET 25X17X2
8	DW3003130	GUARNIZIONE OR 123 NBR	O-RING 123 NBR
9	DW3003129	GOMITO PORTAGOMMA 12 - G3/8	ELBOW HOSE-CONNECTION 12 G3/8
10	DW3019071	FILTRO ASPIRAZIONE POMPA	SUCTION FILTER
11	DW88110	PRESSOSTATO 250-40	PRESSURE SWITCH 250-40
12	DW75311	CUFFIOTTO PER RESISTENZA 26/03/97	HEATING ELEMENT COVER
13	DW16045	STAFFE FISSAGGIO RESIST.FORO 6.3	HEATING ELEMENT MOUNTING BRACKET D.6,3
14	DW30001011	RESIST.9000/9800W 230/240V 3	9000/9800W 230/240V 3 HEATING ELEM.
15	DW13015	GUARNIZIONE 6225 OR 160 NBR	6225 O-RING 160 NBR
16	DW11702	DADO M8 INOX UNI5588 DIN934	S/S NUT M8 DIN934 (MIN. 20 PCS)
17	DW3009299	#TRAVERSO APP.VASCHE NUOVA SERIE	TANK SUPPORT
18	DW10200173/A	GUARNIZIONE 75X58X3	75X58X3 GASKET
19	DW10600012	DADO BASSO PER FISS. RAMPA G.1200	FASTENING RISER FLAT NUT
20	DW3009567	FILTRO LAVAGGIO SENZA FORO AX	STRAINER PLATE WASH ZONE
21	DW3019074	#SEMIFILTRO ANT. PER POZZETTO AX	STRAINER PLATE FRONT
22	DW3019065	#FILTRO A CESTELLO ZONA LAVAGGIO	SCRAP TRAY
23	DW3009363	SUPPORTO PRESSOSTATO	PRESSURE-SWITCH SUPPORT
24	DW500603	POZZETTO SCARICO CON FILETTO	SCRAP TRAY
25	DW540005	MANICOTTO ASPIRAZ.POMPA TEK.4 85SH	SUCTION PIPE COUPLING
26	DW80208	GUARNIZIONE RAMPA LP2 DIAM.95X75X3	RISER GASKET D.95X75X3 (MIN. 2 PCS)
27	DW500601	GHIERA PER POZZETTO	RING NUT
28	DW3000316	#FILTRO DOPPIO RISCIAQUO RR	RR DOUBLE RINSE FILTER
29	DW13021	GUARNIZIONE DEM 40 PER TROPPOPP. GS	OVERFLOW PIPE GASKET DEM 40 (MIN. 2 PCS)
30	DW3003981	TROPPOPIENO CIECO PRERISC. RR AX/2012	OVERFLOW PIPE ASS. PRE-RINSE RR AX/2012
32	DW3000319	#PARATIA PER DOPPIO RISC. RR DX	BULKHEAD RIGHT RR DOUBLE RINSE
33	DW3009043	#PIEG. GUIDACESTO ANT. 1540	FRONT BASKET GUIDE
33	DW3009047	#PIEG. GUIDACESTO ANT. 590	FRONT SLIDEWAYS
34	DW3009053	#PIEG. GUIDACESTO POST. 1540	BACK BASKET GUIDE
34	DW3009057	#PIEG. GUIDACESTO POST. 590	BACK SLIDEWAYS

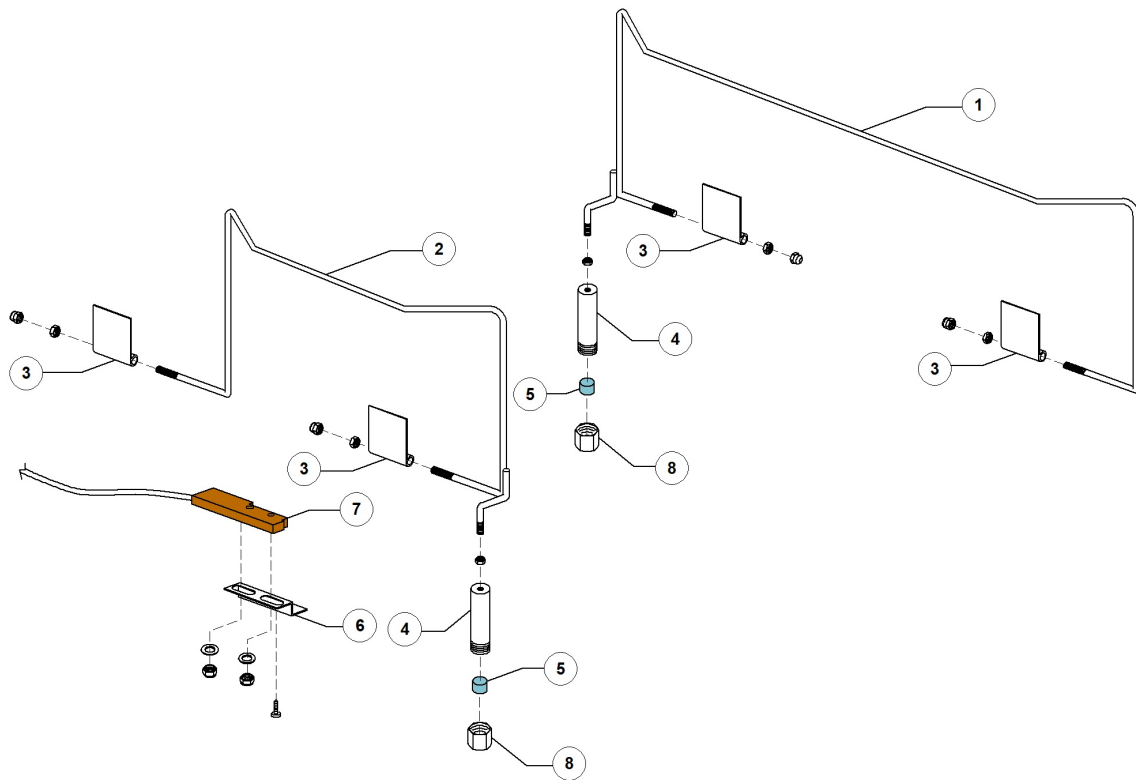
AX220DX LC90 LC91 KIT DDE EAC 400V3N50Hz - DWM1001937 - Motorgear components - DW023



AX220DX LC90 LC91 KIT DDE EAC 400V3N50Hz - DWM1001937 - Motorgear components - DW023

Pos.	Code	Descrizione	Description
1	DW3003012	RULLINO PER ECCENTRICO	ROLLER FOR ECCENTRIC
2	DW2001046	CHIAVETTA 8X7X30 INOX	S/S FLAT KEY 8X7X30
3	DW3003116	ASSIEME ALBERO LUNGO CON ECC. '99	ECCENTRIC SHAFT
4	DW13023	GUARNIZ. OR 131 (4093)	O-RING 131 (4093) GASKET
5	DW13021	GUARNIZIONE DEM 40 PER TROPPOPP. GS	OVERLOW PIPE GASKET DEM 40 (MIN. 2 PCS)
5	DW13024	PARAOLIO DEM40 TC30X42X7 MOLLA INOX	OIL SPLASH GUARD DEM 40 TC 30X42X7
6	DW3004131	BOCCOLA ALBERO RIDUT. AX	ECCENTRIC SHAFT BUSH
7	DW13015	GUARNIZIONE 6225 OR 160 NBR	6225 O-RING 160 NBR
8	DW3004161	DISCO ANTIGOCCIA PER ASSE MOTORIDUT	MOTOR GEAR SHAFT PROTECTION DISK
9	DW3009060	PIEG. SUPPORTO MOTORID. LAV.1300	MOTORGear SUPPORT
10	DW3000210	#RIDUT. TRAINO LIMIT. 1:80 DESTRO	R 1:80 REDUCTION GEAR CONVEYOR MACHINES
11	DW11165	VITE INOX M8X40 TE DIN933	M8X40 TE S/S SCREW
12	DW3000107	MOTORE 6/8P 400V 50Hz RIDOTTO	MOTOR 6/8P 400V 50HZ
13	DW3004183	DADO PER BOCCOLA COD.3004131-32	FERRULE FASTENING NUT
14	DW11609	RONDELLA GROWER M8 INOX DIN127	M8 S/S GROWER WASHER DIN127
15	DW11186	RONDELLA 8X24 PIANA INOX DIN9021	8X24 S/S PLANE WASHER DIN902

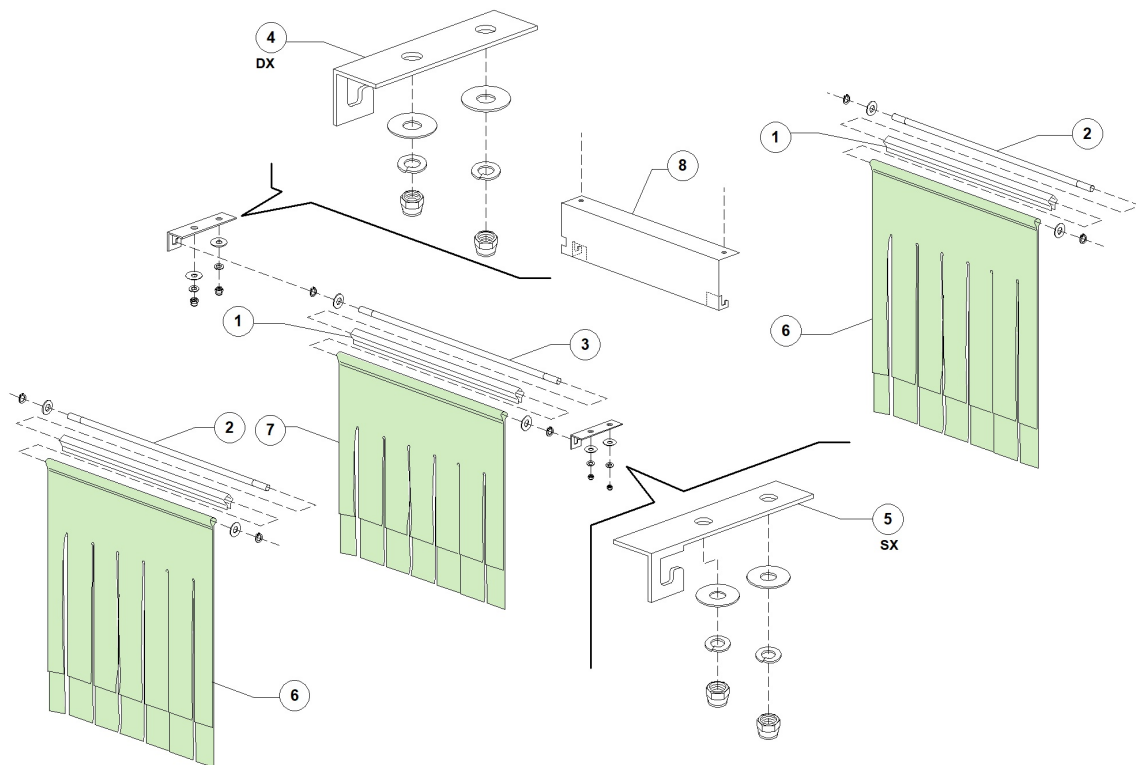
AX220DX LC90 LC91 KIT DDE EAC 400V3N50Hz - DWM1001937 - Economizers - DW023



AX220DX LC90 LC91 KIT DDE EAC 400V3N50Hz - DWM1001937 - Economizers - DW023

Pos.	Code	Descrizione	Description
1	DW3003074	#ECONOMIZZ. DOPPIO X M.ORIZ.VERS DX	RACK SWITCH ARM RIGHT
2	DW3003072/A	#ASTA ECONOMIZZATORE DX	Rack switch arm right
3	DW3003061	#SUPPORTO A SALDARE ECONOMIZZATORE	ECONOMIZER SUPPORT
4	DW3003058	PORTA CALAMITA ECONOMIZZ. CEST16/97	ECONOMIZER MAGNET HOLDER
5	DW3003113	MAGNETE PER ECONOM. DIAM.12X10 6/97	MAGNETIC UNIT
6	DW3009112	PIEG. SUPPORTO MAGNETE PER PORTA	ECONOMIZER MICROSWITCH SUPPORT
7	DW3003112	REED MICRO PORTA E530	MAGNETIC REED SWITCH
8	DW3004184	"TAPPO FEM. 3/8" PER COD. 3003058-3060065"	3/8 FEMALE PLUG

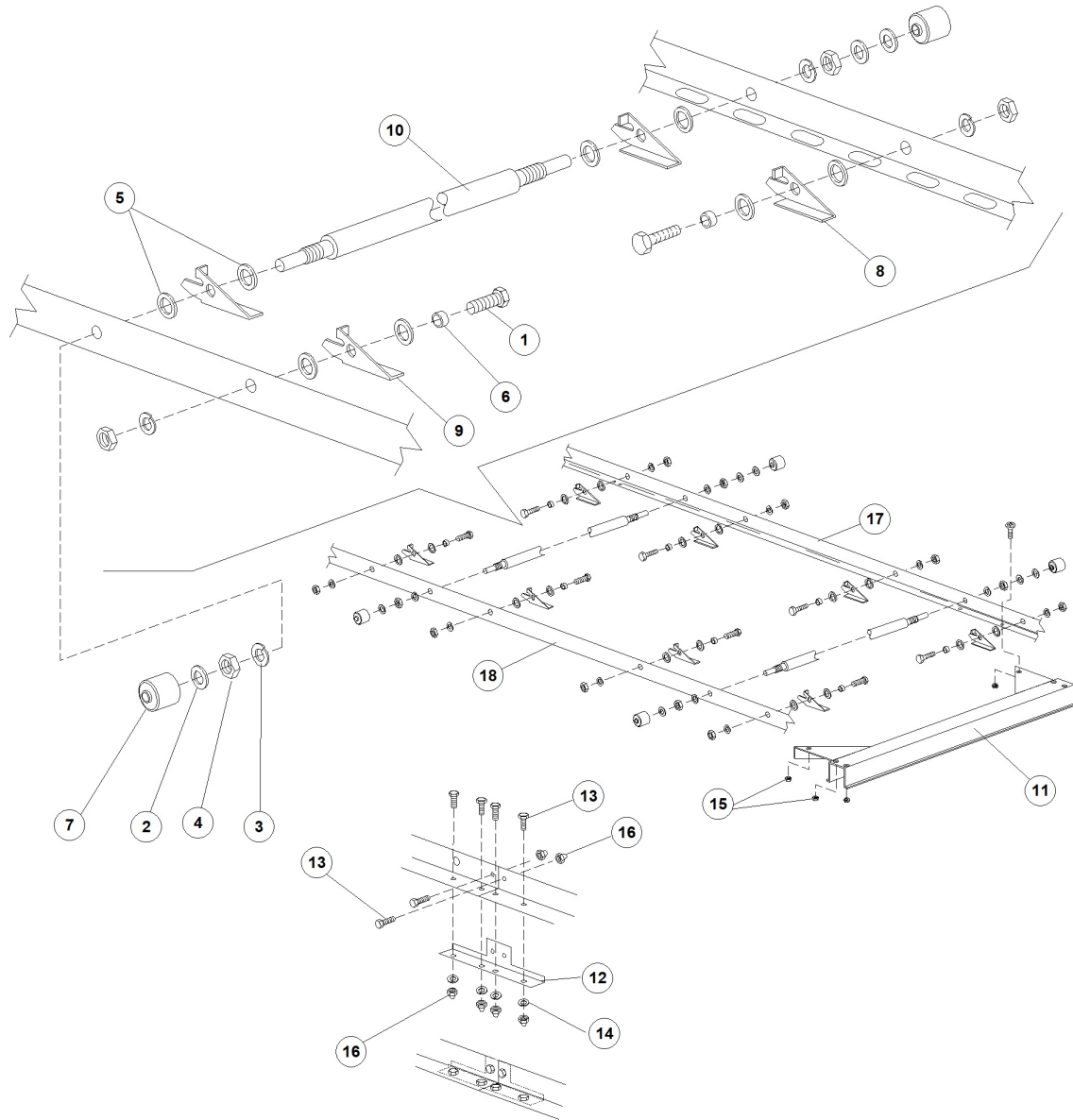
AX220DX LC90 LC91 KIT DDE EAC 400V3N50Hz - DWM1001937 - Curtain - DW023



AX220DX LC90 LC91 KIT DDE EAC 400V3N50Hz - DWM1001937 - Curtain - DW023

Pos.	Code	Descrizione	Description
1	DW3009109	#PROFILO PER TENDINA	#CURTAIN MOULDING
2	DW3004053	ASTA SOSTEGNO PER TENDA LATERALE	LATERAL CURTAIN ROD
3	DW3004052	ASTA SOSTEGNO PER TENDA INTERNA	INNER CURTAIN ROD
4	DW3009110	#PIEG. SUPPORTO TENDINA DX	#CURTAIN SUPPORT
5	DW3009722	#PIEG. SUPPORTO TENDINA SX	LEFT CURTAIN SUPPORT
6	DW3004050	TENDINA PARASPRUZZI ESTERNA LUNGA	LONG EXTERNAL SPALSH GUARD CURTAIN
7	DW3004051	#TENDINA PARASPRUZZI INTERNA (3071072)	#SPLASH GUARD INTERNAL (3071072)
8	DW3003983	#ASSIEME PARATIA TENDINA DX	

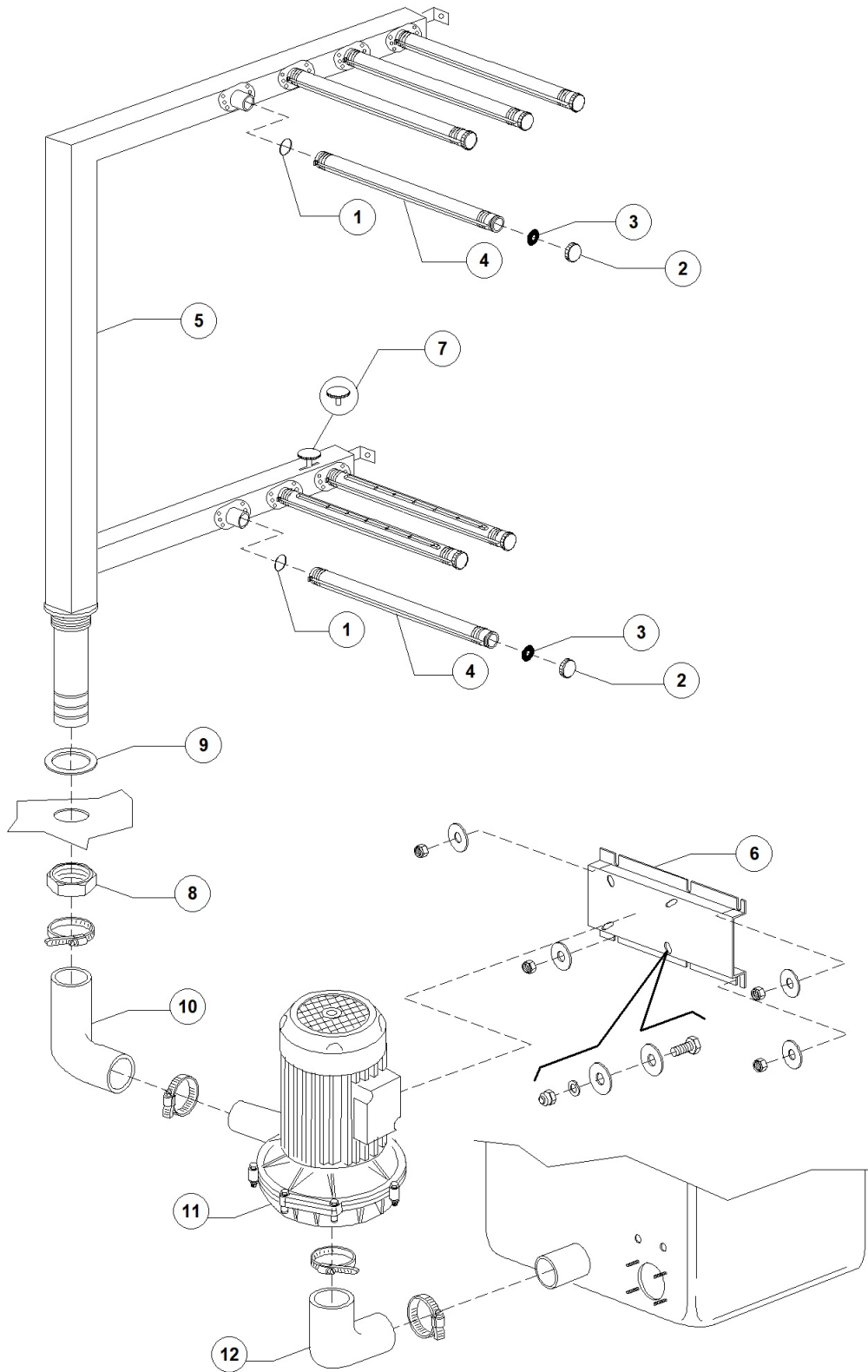
AX220DX LC90 LC91 KIT DDE EAC 400V3N50Hz - DWM1001937 - Conveyor parts - DW023



AX220DX LC90 LC91 KIT DDE EAC 400V3N50Hz - DWM1001937 - Conveyor parts - DW023

Pos.	Code	Descrizione	Description
1	DW11109	VITE INOX M10x20 TE DIN933	M10X20 TE S/S SCREW DIN933
2	DW11185	RONDELLA 8X16 PIANA INOX DIN125	8X16 S/S PLANE WASHER DIN125
3	DW11192	RONDELLA GROWER M10 INOX DIN 127B	M10 S/S GROWER WASHER DIN127B
4	DW11719	DADO M10 INOX DIN 934	S/S NUT M10 DIN934
5	DW3003024	RONDELLA CARRELLO 19X12X1 PTFE	WASHER 19X12X1 PTFE
6	DW3003025	BOCCOLA DIST. CARRELLO 11,7X10X6 IN	SPACER FOR CARRIAGE 11,7X10X6
7	DW3003026	BOCCOLA RULLINO DIST. CARRELLO DELR	SPACER FOR CARRIAGE
8	DW3003100	SALTARELLO INOX DX	RIGHT S/S PAWL
9	DW3003101	SALTARELLO INOX SX	LEFT S/S PAWL
10	DW3003010	ASSE TRAVERSO PER CARRELLO	CARRIAGE SPACING AXLE
11	DW3009107	OMEGA GUIDA PER ECCENTRICO	GUIDE
12	DW3009168	PIEG. PIASTRINA DI COLL.TO	CONNECTION PLAQUE
13	DW11118	VITE INOX M6x12 TE DIN 933	M6X12 TE S/S SCREW DIN933
14	DW11604	RONDELLA GROWER M6 INOX UNI1751 DIN127	M6 S/S GROWER WASHER UNI1751 DIN127
15	DW11721	DADO M6 AUTOBL.INOX UNI 7473 DIN982	S/S SELF-LOCKING NUT M6 DIN982 (MIN. 10
16	DW11709	DADO M6 CIECO CALOTTA SEMISF.A2 DIN1587	S/S CAP NUT M6 DIN1587
17	DW3009160	#PIEG. TELAIO CARRELLO 600 DX	RIGHT TROLLEY STRUCTURE
17	DW3009165	#PIEG. TELAIO CARRELLO 1390 DX	RIGHT TROLLEY STRUCTURE
18	DW3009129	#PIEG. TELAIO CARRELLO 1390 SX	LEFT TROLLEY STRUCTURE
18	DW3009172	#PIEG. TELAIO CARRELLO 600 SX	LEFT TROLLEY STRUCTURE

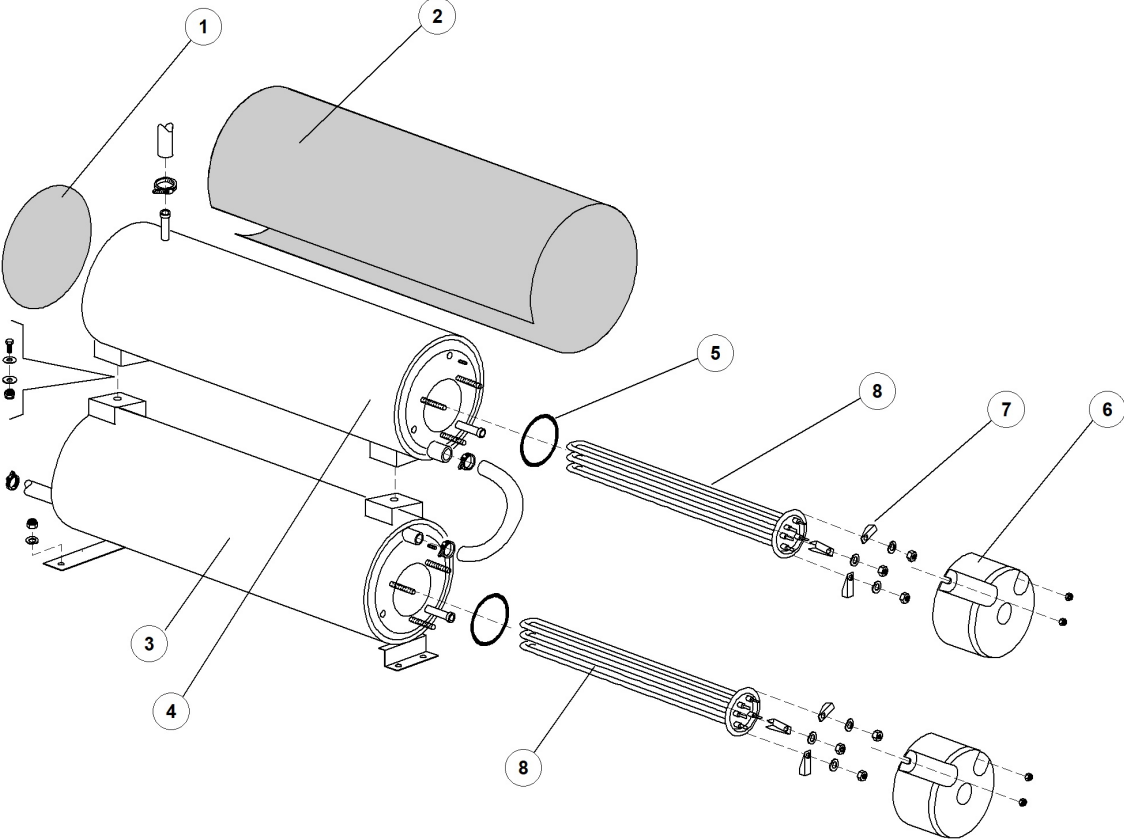
AX220DX LC90 LC91 KIT DDE EAC 400V3N50Hz - DWM1001937 - Wash pump group - DW023



AX220DX LC90 LC91 KIT DDE EAC 400V3N50Hz - DWM1001937 - Wash pump group - DW023

Pos.	Code	Descrizione	Description
1	DW13028	GUA.OR 3,6X30,8X38 R23 NBR 50SH	O RING 3,6X30,8X38 R23 NBR 50SH
2	DW80304	TAPPO PER UGELLO TERMINALE GRIGIO	GREY WASH ARM PLUG
3	DW80305	GUARNIZIONE PER TAPPO TUBO GIRANTE	ARM PLUG GASKET
4	DW3004147	BRACCIO LAVAG. 6 UGELLI A BAIONETTA	WASH ARM 6 NOZZLES
5	DW3004174	#RAMPA LAVAGGIO 4+3 RR DX	
6	DW3009148	PIEG. SUPPORTO POMPA MOD.1300	PUMP SUPPORT
7	DW3004146	#GHIERA X REG.RAMPE A BAIONET	WATER FLOW ADJUSTER
8	DW10600012	DADO BASSO PER FISS. RAMPA G.1200	FASTENING RISER FLAT NUT
9	DW10200173/A	GUARNIZIONE 75X58X3	75X58X3 GASKET
10	DW3004025	MANICOTTO L MANDATA AX 50/50	PIPE COUPLING 50/50
11	DW22037	POMPA HP2.0 220-240/380-415 50Hz	PUMP HP2.0 220-240/380-415V3/50HZ
12	DW3002020	EPDM D.60 MANICOTTO A GOMITO EPDM D.60	ELBOW PIPE COUPLING D.60

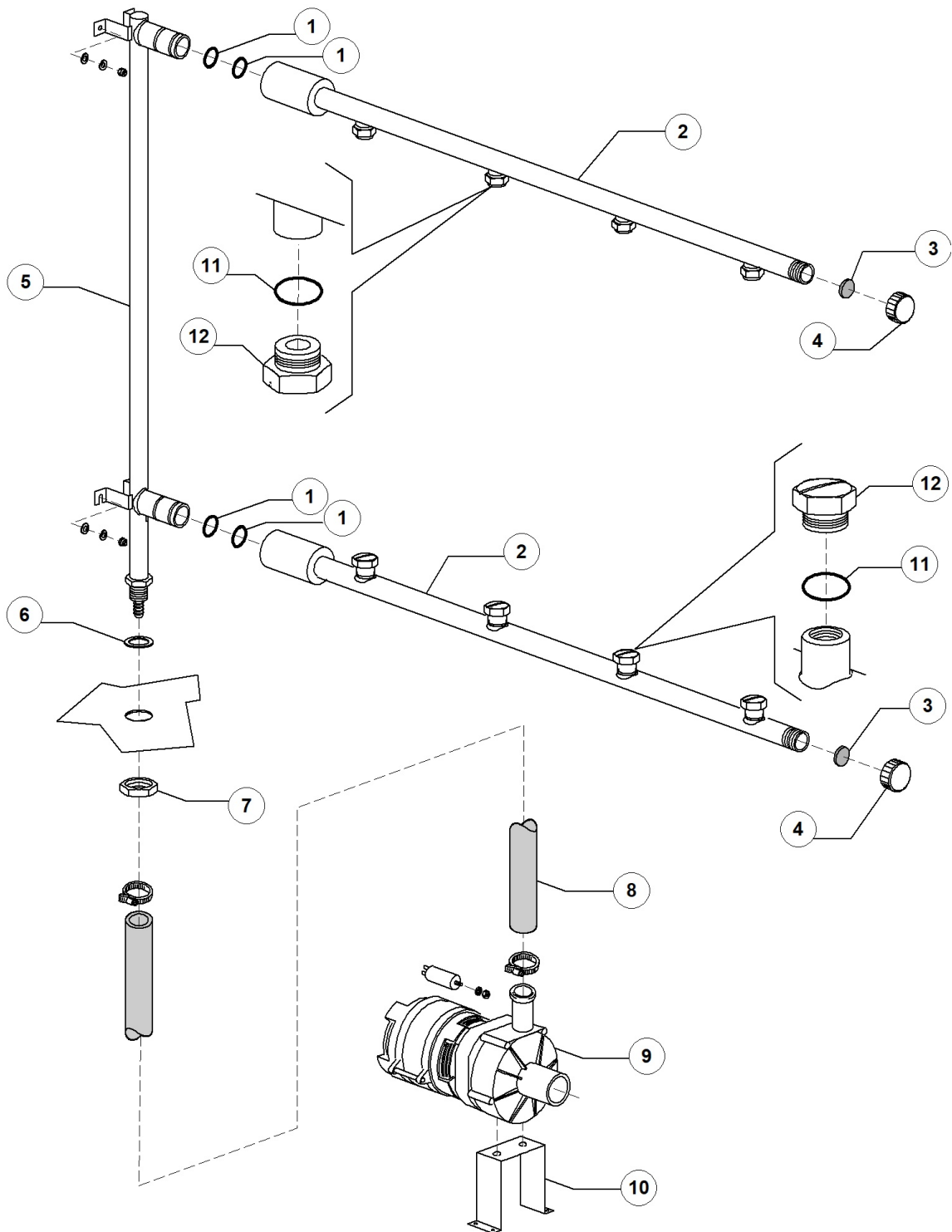
AX220DX LC90 LC91 KIT DDE EAC 400V3N50Hz - DWM1001937 - Boiler group - DW023



AX220DX LC90 LC91 KIT DDE EAC 400V3N50Hz - DWM1001937 - Boiler group - DW023

Pos.	Code	Descrizione	Description
1	DW75205	DISCO IN ESPANSOLENE. AUTOESTING. D.160	INSULATING DISK D.160
2	DW30002030	COIBENTAZIONE BOILER D.155X500	BOILER INSULATING D.155X500
4	DW3007013	BOILER D160x530 SUP DOPPIO (AISI 316)	UPPER BOILER D160x530 (AISI 316)
5	DW13015	GUARNIZIONE 6225 OR 160 NBR	6225 O-RING 160 NBR
6	DW75311	CUFFIOTTO PER RESISTENZA 26/03/97	HEATING ELEMENT COVER
7	DW16045	STAFFE FISSAGGIO RESIST.FORO 6.3	HEATING ELEMENT MOUNTING BRACKET D.6,3
8	DW30001011	RESIST.9000/9800W 230/240V 3	9000/9800W 230/240V 3 HEATING ELEM.

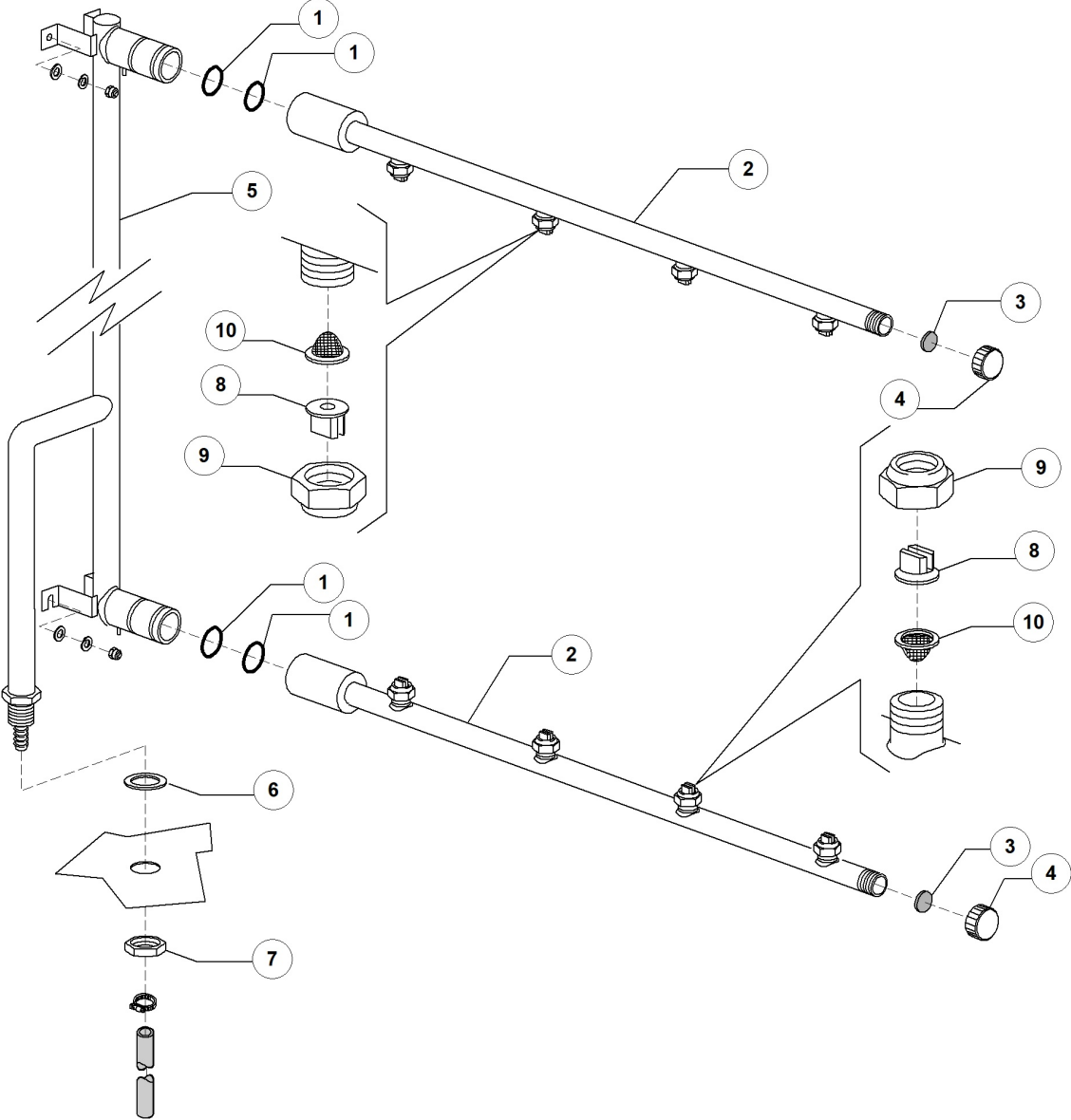
AX220DX LC90 LC91 KIT DDE EAC 400V3N50Hz - DWM1001937 - Pre-Rinsing components - DW023



AX220DX LC90 LC91 KIT DDE EAC 400V3N50Hz - DWM1001937 - Pre-Rinsing components - DW023

Pos.	Code	Descrizione	Description
1	DW13025	GUARNIZIONE OR 2081	O-RING 2081
2	DW3003982	#BRACCIO PRERISCIACQUO AX/2012	PRE RINSE ARM AX/2012
3	DW2002051	GUARN. EPDM TAPPO RISC. D.17,5X1,5	GASKET EPDM D.17,5X1,5
4	DW2002054	TAPPO M18X1 D21X9	PLUG M18X1 D21X9
5	DW3003949	#RAMPA PRERISC.INOX DX/SX RR	S/S LEFT-RIGHT RINSE RAMP
6	DW13326	GUARNIZIONE D.38X27X2	GASKET D.38X27X2
7	DW2200103	DADO 3/4 ES.32X8 OTTONE PER TRAINO	HEXAGONAL BRASS NUT 3/4
8	DW540004	#TUBO MANDATA SUPER.EPDM RINF.TEK.4	TOP EPDM DELIVERY PIPE T4
9	DW10501/C	#POMPA HP 0.10 HI-TEMP DIS.70910036	PUMP HP0.10
10	DW3000318	#STAFFA POMPA DOPPIO RISC. RR	RR DOUBLE RINSE PUMP SUPPORT
11	DW13002	GUARNIZIONE OR R6 NBR	O-RINGR R6 NBR (MIN. 10 PCS)
12	DW2200120	UGELLO PRERISCIACQUO 1/8M GAS	PRERINSE NOZZLE 1/8M GAS

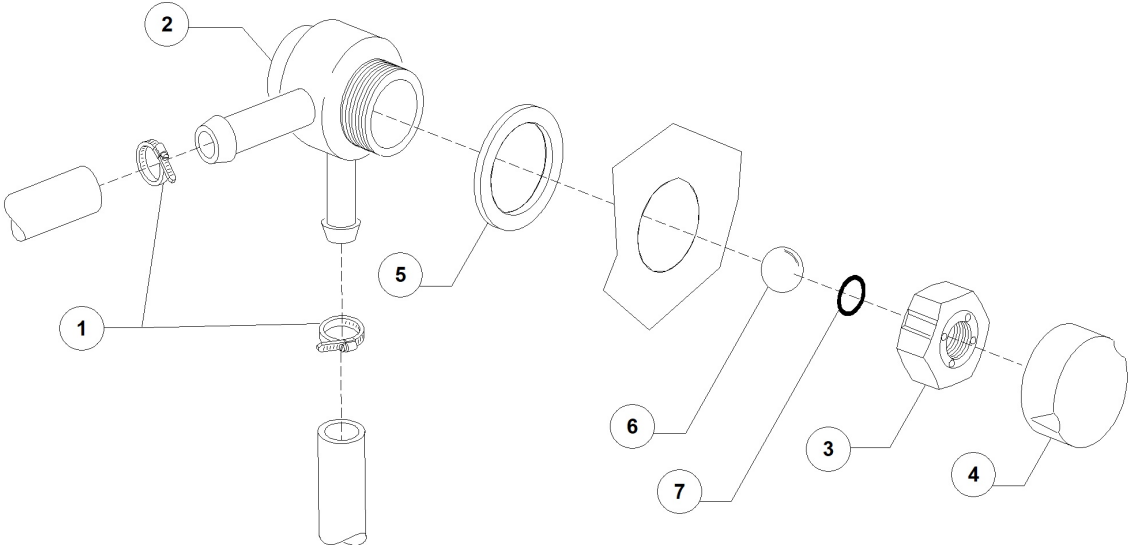
AX220DX LC90 LC91 KIT DDE EAC 400V3N50Hz - DWM1001937 - Rinsing components - DW023



AX220DX LC90 LC91 KIT DDE EAC 400V3N50Hz - DWM1001937 - Rinsing components - DW023

Pos.	Code	Descrizione	Description
1	DW13025	GUARNIZIONE OR 2081	O-RING 2081
2	DW3003080	#BRACCIO RISC. INOX 4 UGELLI (BX)	RINSE ARM S/S 4 NOZZLES(BX)
3	DW2002051	GUARN. EPDM TAPPO RISC. D.17,5X1,5	GASKET EPDM D.17,5X1,5
4	DW2002054	TAPPO M18X1 D21X9	PLUG M18X1 D21X9
5	DW3003962	#RAMPA RISC. INOX 1300 DVGW	S/S RINSE RAMP1300 DVGW
6	DW13326	GUARNIZIONE D.38X27X2	GASKET D.38X27X2
7	DW2200103	DADO 3/4 ES.32X8 OTTONE PER TRAINO	HEXAGONAL BRASS NUT 3/4
8	DW2200121	#UGELLO A LAMA 015 110 $\frac{1}{4}$ Ø INOX	S/S NOZZLE 015 110 $\frac{1}{4}$ Ø
9	DW2200116	I-GHIERA 3/8F INOX	"S/S RING NUT 3/8" F"
10	DW2200117	FILTRO A CUPOLA PER UGELLO A LAMA	NOZZLE FILTER

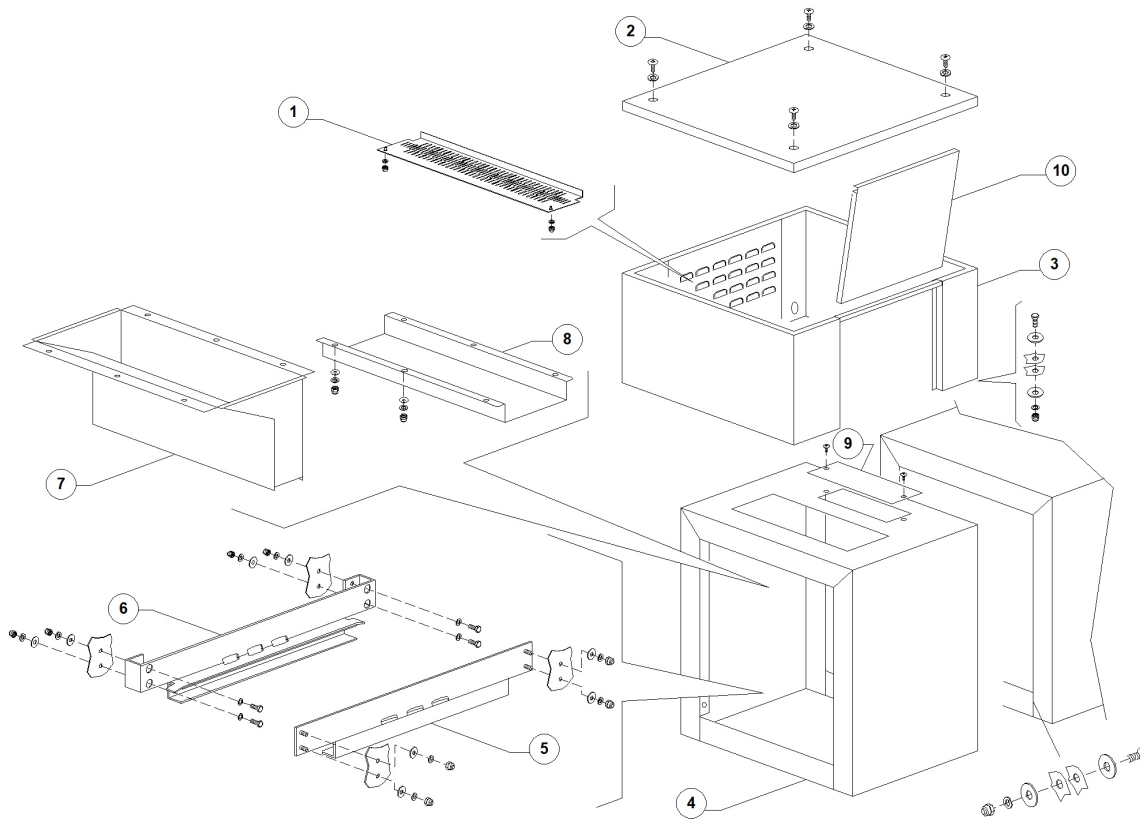
AX220DX LC90 LC91 KIT DDE EAC 400V3N50Hz - DWM1001937 - DVGW valve - DW023



AX220DX LC90 LC91 KIT DDE EAC 400V3N50Hz - DWM1001937 - DVGW valve - DW023

Pos.	Code	Descrizione	Description
1	DW11807	FASCETTE AISI 430 12/22	CLAMP 12/22 AISI 430
2	DW15280	CORPO CENTRALE VALVOLA DVGW 07	DRAIN VALVE CENTER BODY
3	DW15281	DADO VALVOLA DVGW 07	VALVE NUT
4	DW15282	COPRI DADO VALVOLA DVGW 07	VALVE NUT COVER
5	DW15283	GUARNIZIONE VALVOLA DVGW 07	VALVE GASKET
6	DW15284	"SFERA 5/8" VALVOLA DVGW 07"	"5/8" BALL FOR DVGW VALVE 07"
7	DW15285	GUARNIZIONE OR 115 KTW VALVOLA DVGW 07	O-RING 115 KTW

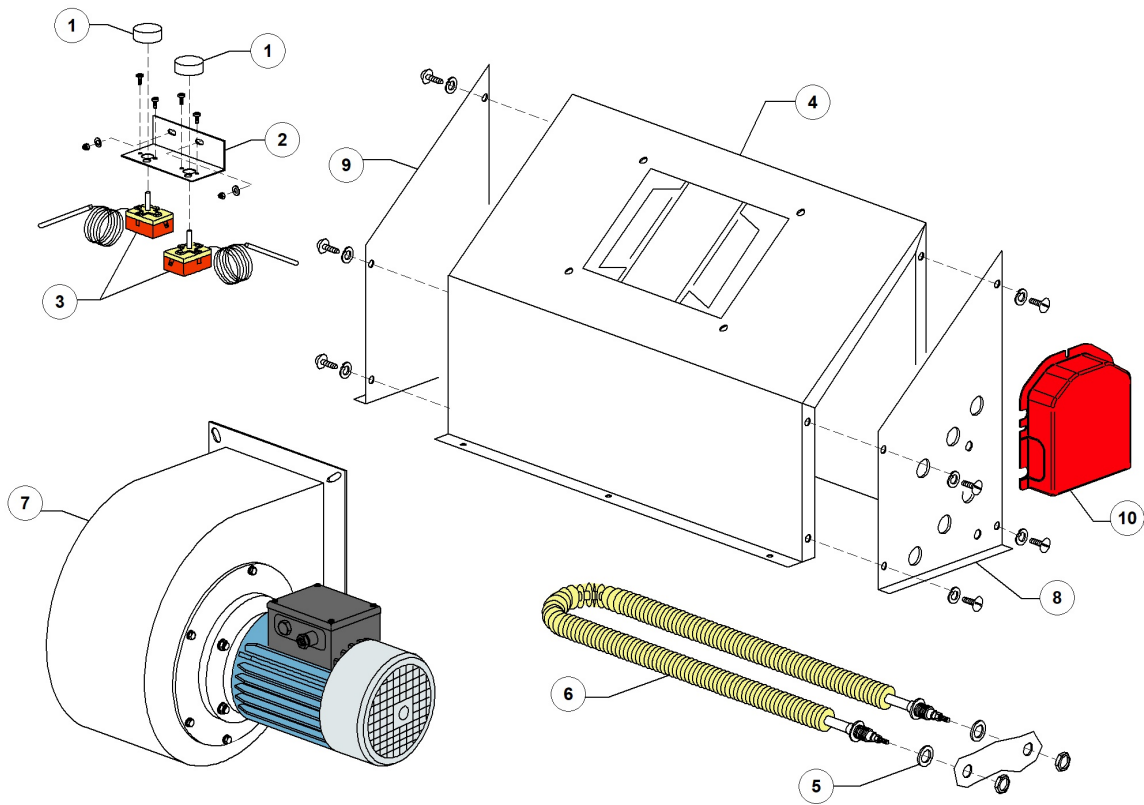
AX220DX LC90 LC91 KIT DDE EAC 400V3N50Hz - DWM1001937 - Drying (1) - DW023



AX220DX LC90 LC91 KIT DDE EAC 400V3N50Hz - DWM1001937 - Drying (1) - DW023

Pos.	Code	Descrizione	Description
1	DW3009362/B	RETE PROTEZIONE ASPIRAZIONE SUPERIO	
2	DW3009267	#COPERCHIO CARTER GR.ASCIUG.LC90/2/3	COVER PANEL
3	DW3009484	#ASSIEME CASSONE SUP. LC90/2/3	COMPLETE BODYWORK
4	DW3009485	#ASSIEME CASSONE INFERIORE LC90/2/3	DRYER MODULE
5	DW3009047	#PIEG. GUIDACESTO ANT. 590	FRONT SLIDEWAYS
6	DW3009057	#PIEG. GUIDACESTO POST. 590	BACK SLIDEWAYS
7	DW3009492	#ASSIEME TRAMOGGIA SPARTIARIA LC90	SPLASH GUARD
8	DW3009434	#OMEGA ASPIRAZIONE ASCIUGATURA	CONVEYOR COVERAGE FOLD
10	DW3009268	#CHIUSURA CARTER ASC.LC90/2/3	DRYER CARTER LOCKUP

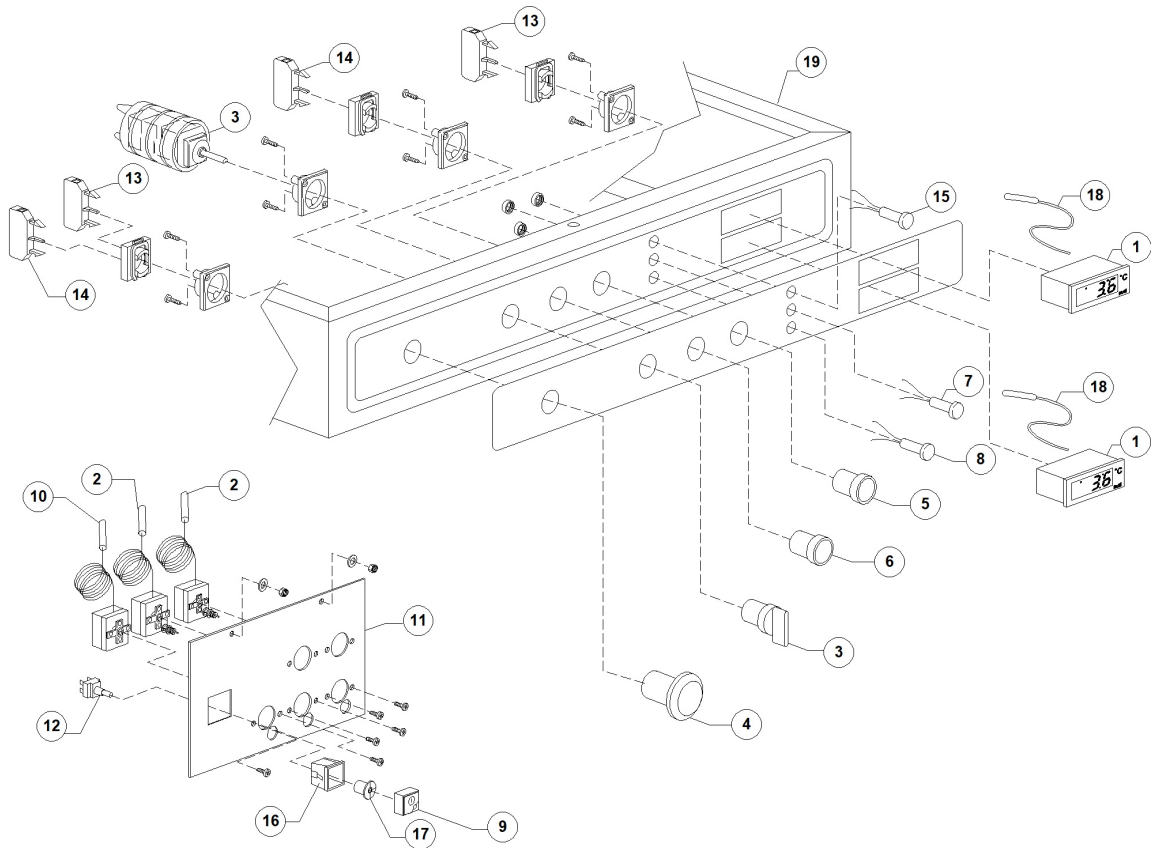
AX220DX LC90 LC91 KIT DDE EAC 400V3N50Hz - DWM1001937 - Drying (2) - DW023



AX220DX LC90 LC91 KIT DDE EAC 400V3N50Hz - DWM1001937 - Drying (2) - DW023

Pos.	Code	Descrizione	Description
1	DW15105/C	MANOPOLA TERMOSTATO 0-300¶øC	THERMOSTAT KNOB 0-300¶øC
2	DW3009104	PIEG. SQ. TERMOSTATI PER ASCIUGATUR (N)	DRYER THEMOSTATS SUPPORT
3	DW10707/3	TERMOSTATO TR2 0-280¶ø C/ALB	THERMOSTAT TR2 0-280¶ø C/ALB
4	DW3009674/A	#FASCIAME CARTER ASCIUGATURA 6KW LC77/4	CARTER PLATING DRYER 6KW LC77/4
5	DW10200171	GUARNIZIONE FASIT 25X17X2	GASKET 25X17X2
6	DW2000359	RESIST.2000/2180W 230/240V 1	2000/2180W 230/240V 1 HEATING ELEM.
7	DW3003118	MOTOVENTILAT VMN604 0,25KW 230/400 50HZ	CENTRIFUGAL FAN 0,25KW 230/400V 50HZ
8	DW3009675	#FIANCO CARTER ASCIU.6KW 04(FORI)	SIDE CARTER SUP. TR99
9	DW3009676	#FIANCO CARTER ASCIU.6KW 04(CIECO)	
10	DW3000159	#CUFFIA PER RESIS.PICCOLA	CASING FOR HEATING ELEMENT

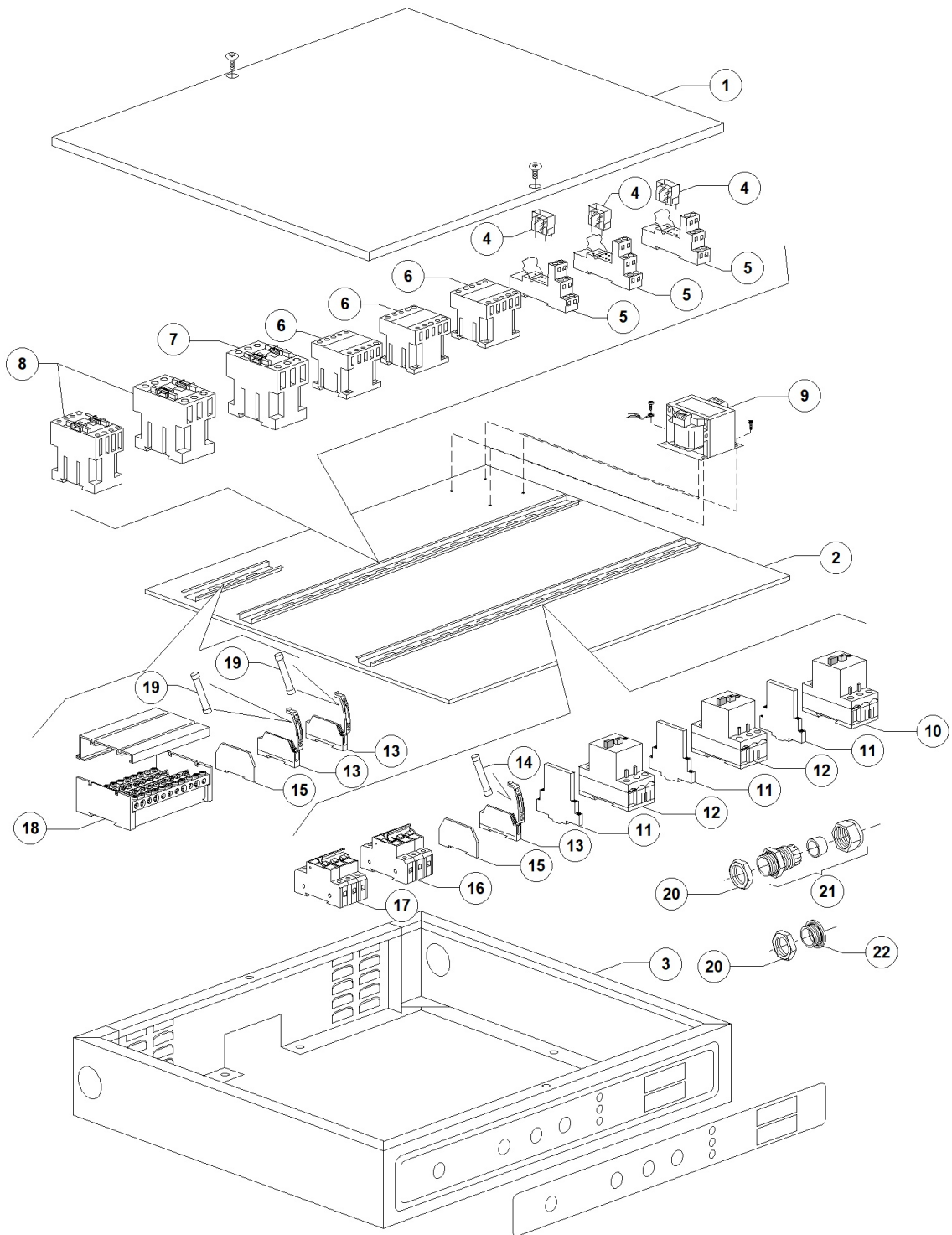
AX220DX LC90 LC91 KIT DDE EAC 400V3N50Hz - DWM1001937 - Control panel and switches - DW023



AX220DX LC90 LC91 KIT DDE EAC 400V3N50Hz - DWM1001937 - Control panel and switches - DW023

Pos.	Code	Descrizione	Description
1	DW2000402	#TERMOMETRO DIGITALE XT11S 24V 2D.	THERMOMETER
2	DW10707/3	TERMOSTATO TR2 0-280¶∅ C/ALB	THERMOSTAT TR2 0-280¶∅ C/ALB
2	DW2000430	TERMOSTATO DI SICUR. 110 1500PVC	SAFETY THERMOSTAT 110 1500PVC
3	DW3002031	SELETTORE 4POS. SCH.0306/7042	SELECTOR 4 POSITIONS
4	DW3002050	PULS.FUNGO D.35 OP.SBLOC.ROT. 30A3	EMERGENCY BUTTON
5	DW3002053	#PULSANTE RASATO OPACO BIANCO-VERDE 31B3	PUSH BUTTON WHITE/GREEN 31B3
6	DW3002055	PULSANTE RASATO OPACO NERO-ROSSO 31B2	PUSH BUTTON BLACK/RED 31B2
7	DW3002065	SPIA M10 GHIERA INOX ROSSO 24V.	RED PILOT LIGHT S/S SUPPORT
8	DW3002067	SPIA M10 GHIERA INOX GIALLA	YELLOW PILOT LIGHT S/S SUPPORT
9	DW15874	TASTO Q6 VERDE SERIG.ON-OFF	GREEN ON/OFF KEY Q6
10	DW10707/1	TERM.0-90 TR2 C1500+PVC POST.N/ALB	THERMOSTAT 0-90 TR2 C1500+PVC POST.N/ALB
11	DW3009114	PUNZ. STAFFA SUPP. TERMOSTATI PRERI	ASSEMBLY PLATE
12	DW15812	FRUTTO INTERRUTTORE 16A	16A SWITCH
13	DW3002054	CONTATTO 1NA	CONTACT 1NA
14	DW3002056	CONTATTO 1NC RET. 31A5	CONTACT 1NC
15	DW3002066	SPIA M10 GHIERA INOX VERDE	GREEN PILOT LIGHT S/S SUPPORT
16	DW15815	SUPPORTO QUADRO SQ1 SINGOLO GRIGIO	SQUARE GREY SINGLE SUPPORT SQ1
17	DW15824	CAMMA VERDE-ARANCIO	GREEN-ORANGE CAM ROLL
18	DW2000401	#SONDA TERMOM. DIGITALE XT11S FASTON	THERMOMETER PROBE
19	DW3019033	#ASS.QUADRO ELETTR.SUP.PICCOLO	COMAND PARTS PANNEL

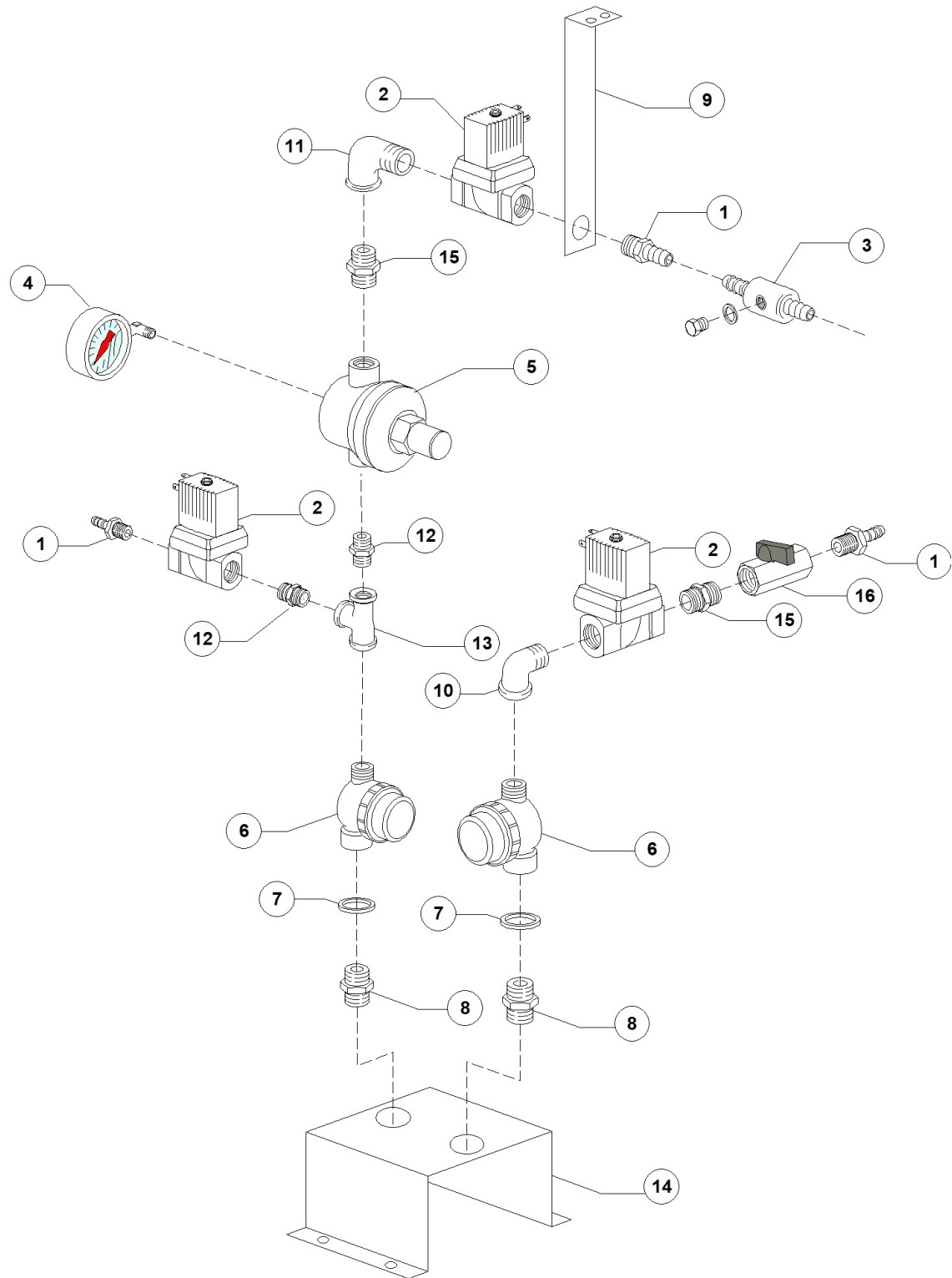
AX220DX LC90 LC91 KIT DDE EAC 400V3N50Hz - DWM1001937 - Electric control components - DW023



AX220DX LC90 LC91 KIT DDE EAC 400V3N50Hz - DWM1001937 - Electric control components - DW023

Pos.	Code	Descrizione	Description
1	DW3009457	#COPERCHIO QUADRO ELET. AX151	CONTROL PANEL COVER
2	DW3009458	#PANNELLO PORTA COMP. ELET. AX151	ELECTRIC PARTS PANNEL
3	DW3019033	#ASS.QUADRO ELETTR.SUP.PICCOLO	COMAND PARTS PANNEL
4	DW3006078	RELE' MODUL. 2C/DEV. 24V	MODULAR RELAY 2C/DEV. 24V
5	DW3006079	ZOCCOLO X RELE'MODUL.2C/24V	BASE FOR RELAY 2C/24V
6	DW2000370	TELERUTTORE 9A/16A 24V 50/60Hz	CONTACTOR 9A/16A 24V 50/60Hz
7	DW2000385	TELERUTTORE 36A/20A 24V 50/60Hz	CONTACTOR 36A/20A 24V 50/60Hz
8	DW2000385	TELERUTTORE 36A/20A 24V 50/60Hz	CONTACTOR 36A/20A 24V 50/60Hz
9	DW3006060	TRASF.160VA 0-230-400-415-440/0-24V	TRANSFORMER160VA 0-230-400-415-440/0-24V
11	DW3006080	CONTATTO AUX. LMS25 11LMH11 1NA+1NC	AUXILIARY CONTACT LMS25 11LMH11 1NA-1NC
13	DW3006147	MORSETTO PORTAFUSIBILI 5x20 (5x25)	FUSE CARRIER
16	DW2000403	INT. MAGNETOTERMICO TRIPOLARE 20A	THREE-POLE CIRCUIT BREAKER 20A
17	DW2000403	INT. MAGNETOTERMICO TRIPOLARE 20A	THREE-POLE CIRCUIT BREAKER 20A
18	DW3006154	#MORSETTIERA AX 151 44X80X90 125A	TERMINAL BOARD
19	DW15163	FUSIBILE 5X20 1A	5X20 1A FUSE
20	DW80420	CONTRODADO PG29	LOCK NUT PG29
21	DW80419	PRESSACAVO PG29 OBO	CABLE FITTING PG29 OBO
22	DW80421	TAPPO PG29	PLUG PG29

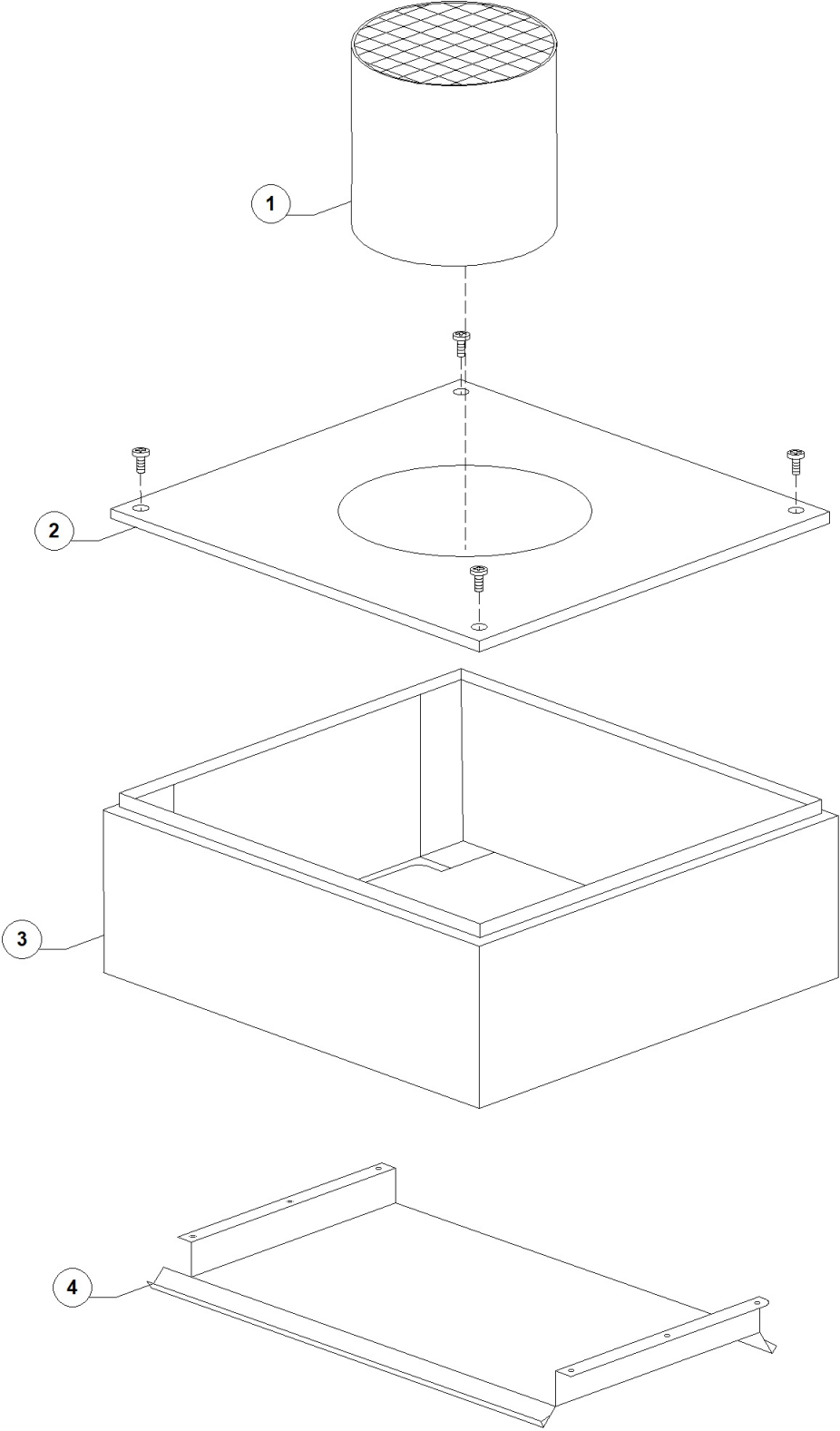
AX220DX LC90 LC91 KIT DDE EAC 400V3N50Hz - DWM1001937 - Solenoid valve group - DW023



AX220DX LC90 LC91 KIT DDE EAC 400V3N50Hz - DWM1001937 - Solenoid valve group - DW023

Pos.	Code	Descrizione	Description
1	DW12023	PORTAGOMMA M 1/2 diam 12 PG260	HOSE CONNECTOR 10 M1/2 PG260
2	DW3002030	"ELETTRIVALV. OT58 1/2" 24V 50/60HZ"	"SOLENOID VALVE OT58 1/2" 24V 60HZ"
3	DW3003906	#DERIV. A T ENTR. BRILL. CON TAPPO 1/8	"T-PIECE W/PLUG 1/8"
4	DW2000244	"MANOMETRO RIDUTTORE PRESS. 1/4"CONIC"	"PRESSURE REDUCTION GAUGE 1/4"
5	DW2000364	"RIDUTTORE DI PRESS.FILTRO INOX 1/2"	"1/2" PRESSURE REDUCER S/S FILTER"
6	DW2000121	"FILTRO LINEA CARICO ACQ. 3/4" FF/MF"	"WATER LOADING FILTER 3/4" F-F/M-F"
7	DW13326	GUARNIZIONE D.38X27X2	GASKET D.38X27X2
8	DW12025	"#NIPPLE GAS/CIL. 3/4" M-M"	NIPPLE GAS/CIL. 3/4 M-M
10	DW3002141	#GOMITO RIDOTTO M/F 1/2 - 3/4	ELBOW
11	DW3002166	"#GOMITO M/F 1/2"	M/F 1/2 ELBOW
12	DW3002145	#NIPPLE DI RID. 3/4 M - 1/2 M (3071205)	REDUCTION NIPPLE 3/4 M - 1/2 M
13	DW3002173	#RACCORDO T 3/4 F-F-F	3/4 F-F-F UNION TEE
14	DW3009220	STAFFA SUPPORTO MANOMETRO	MANOMETER SUPPORT
15	DW12027	"#IPPLE 1/2" M-M INOX"	NIPPLE 1/2 M-M INOX
16	DW3002140	RUBINETTO FF 1/2	FF 1/2 WATER VALVE

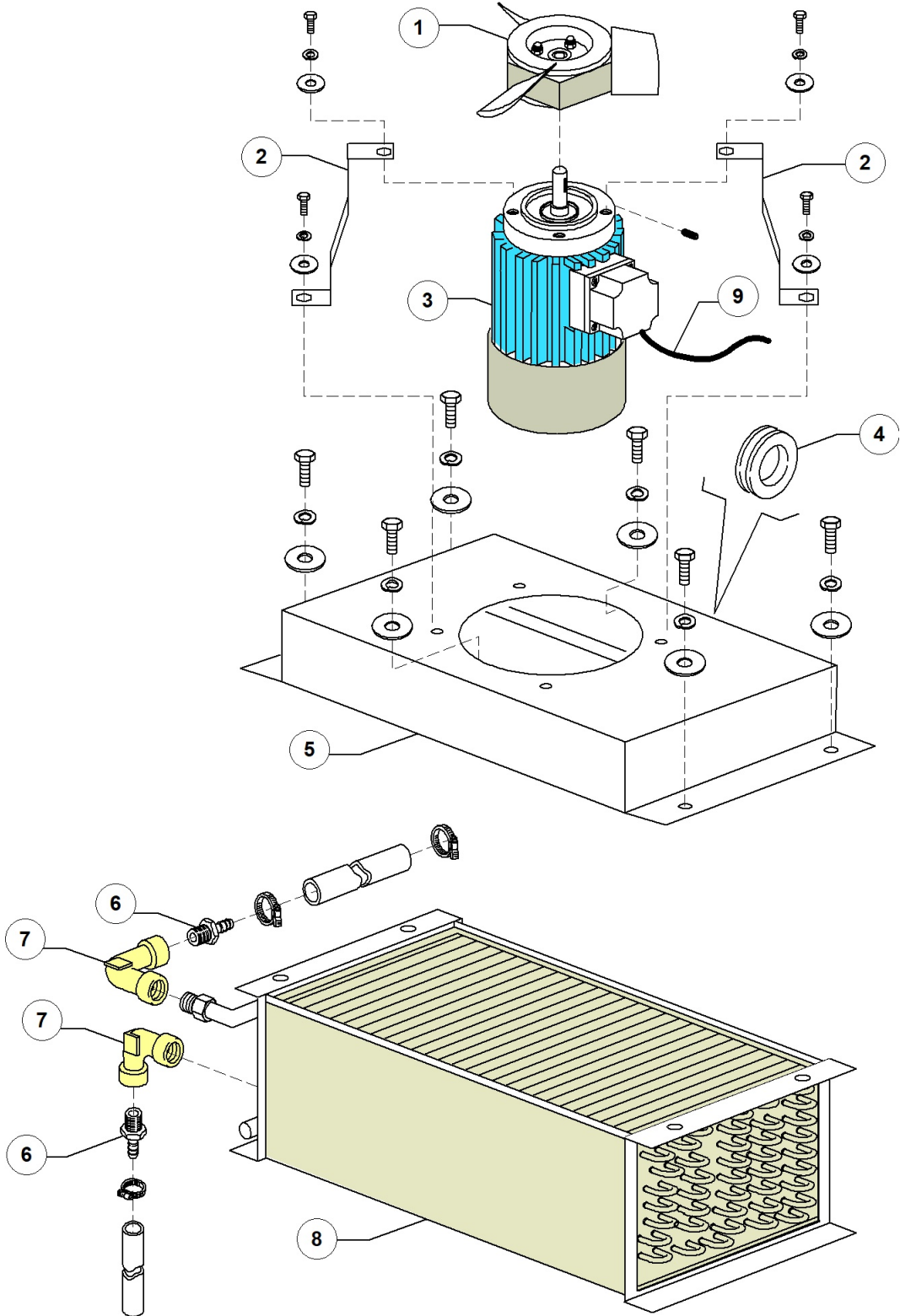
AX220DX LC90 LC91 KIT DDE EAC 400V3N50Hz - DWM1001937 - Heat recovery/Steam condenser (1) - DW023



AX220DX LC90 LC91 KIT DDE EAC 400V3N50Hz - DWM1001937 - Heat recovery/Steam condenser (1) - DW023

Pos.	Code	Descrizione	Description
1	DW3009499	#ASSIEME CAMINO PER LC91/92 TR97/98	CHIMNEY ASSEMBLY LC91/92 TR97/98
2	DW3009306	#PIEG.COPERCHIO LC91-92	COVER WITH HOLE
3	DW3009502	#ASSIEME CASSONE LC91/92	COMPLETE BODY
4	DW3009090	PIEG. PARASPRUZZI LC91-92	FLAT SPLASH GUARD

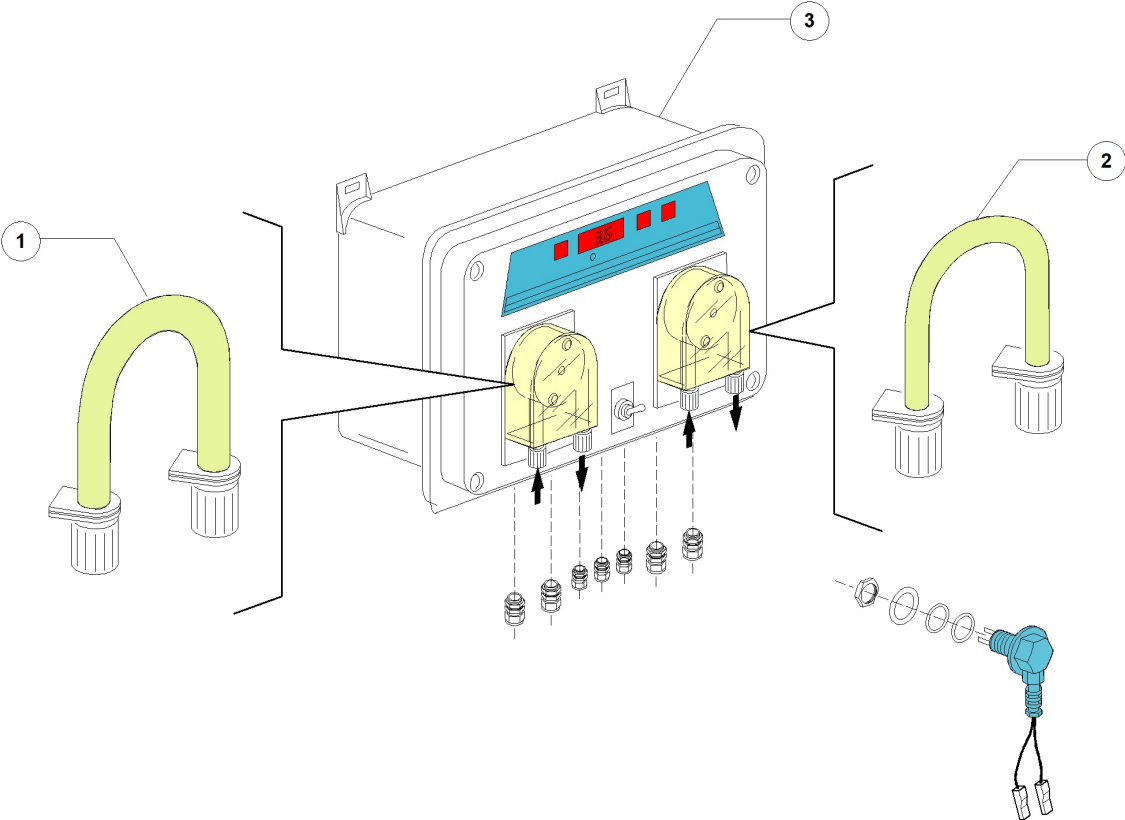
AX220DX LC90 LC91 KIT DDE EAC 400V3N50Hz - DWM1001937 - Heat recovery/Steam condenser (2) - DW023



AX220DX LC90 LC91 KIT DDE EAC 400V3N50Hz - DWM1001937 - Heat recovery/Steam condenser (2) - DW023

Pos.	Code	Descrizione	Description
1	DW3000125	#VENTOLA TR018 SERIE 2000 250/3/40	IMPELLER FAN
2	DW3009106	#PIEG. STAFFA PER TUBO VENT.	MOTOR HOLDER
3	DW3000120	#MOTORE COND.0.18KW4P 230/400 50 B14	MOTOR 4P 0,18KW 230/400V 50HZ
4	DW13329	PASSACAPO 25X9,5MM PASTIGL.	FAIRLEAD 25X9,5
5	DW3009079	#PIEG. BASE VENTILATORE CONDENSA/ASP	STEAM CONDENSER BASE
6	DW12023	PORTAGOMMA M 1/2 diam 12 PG260	HOSE CONNECTOR 10 M1/2 PG260
7	DW3002139	"#OMITO F/F 1/2""	ELBOW
8	DW3000155	BATTERIA TRAINO CONDENSA VAPORI LC	STEAM CONDENSER COIL LC

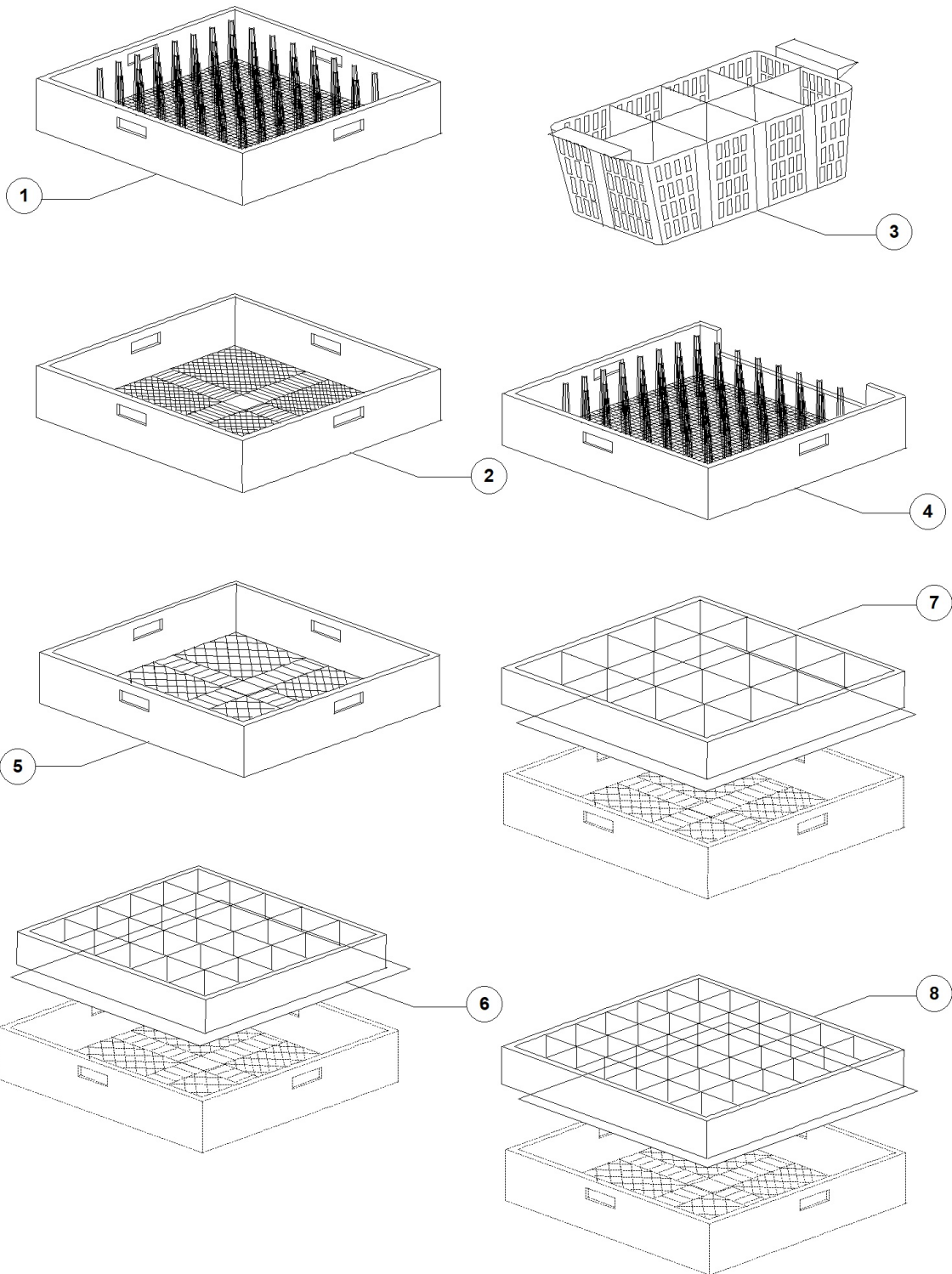
AX220DX LC90 LC91 KIT DDE EAC 400V3N50Hz - DWM1001937 - Dispensers - DW023



AX220DX LC90 LC91 KIT DDE EAC 400V3N50Hz - DWM1001937 - Dispensers - DW023

Pos.	Code	Descrizione	Description
1	DW14503	TUBO PVC DIAM.6x4 TRASPARENTE	D.6X4 PVC TRANSPARENT HOSE
1	DW15185	TUBO MEMBRANA DDE SEKO DET.	SEKO DISPENSER THERMOPLASTIC HOSE
2	DW14502/A	TUBETTO PVC 6X4 VERDE	6X4 PVC GREEN SMALL PIPE
2	DW15186	TUBO MEMBRANA SILICONE BRILL.	SEKO DISPENSER THERMOPLASTIC HOSE
3	DW15181/A	CENTRALINA 06 DOSAT.BRILL./DETERG. 24V	RINSE AID AND DETERGENT DOSING PUMPS BOX

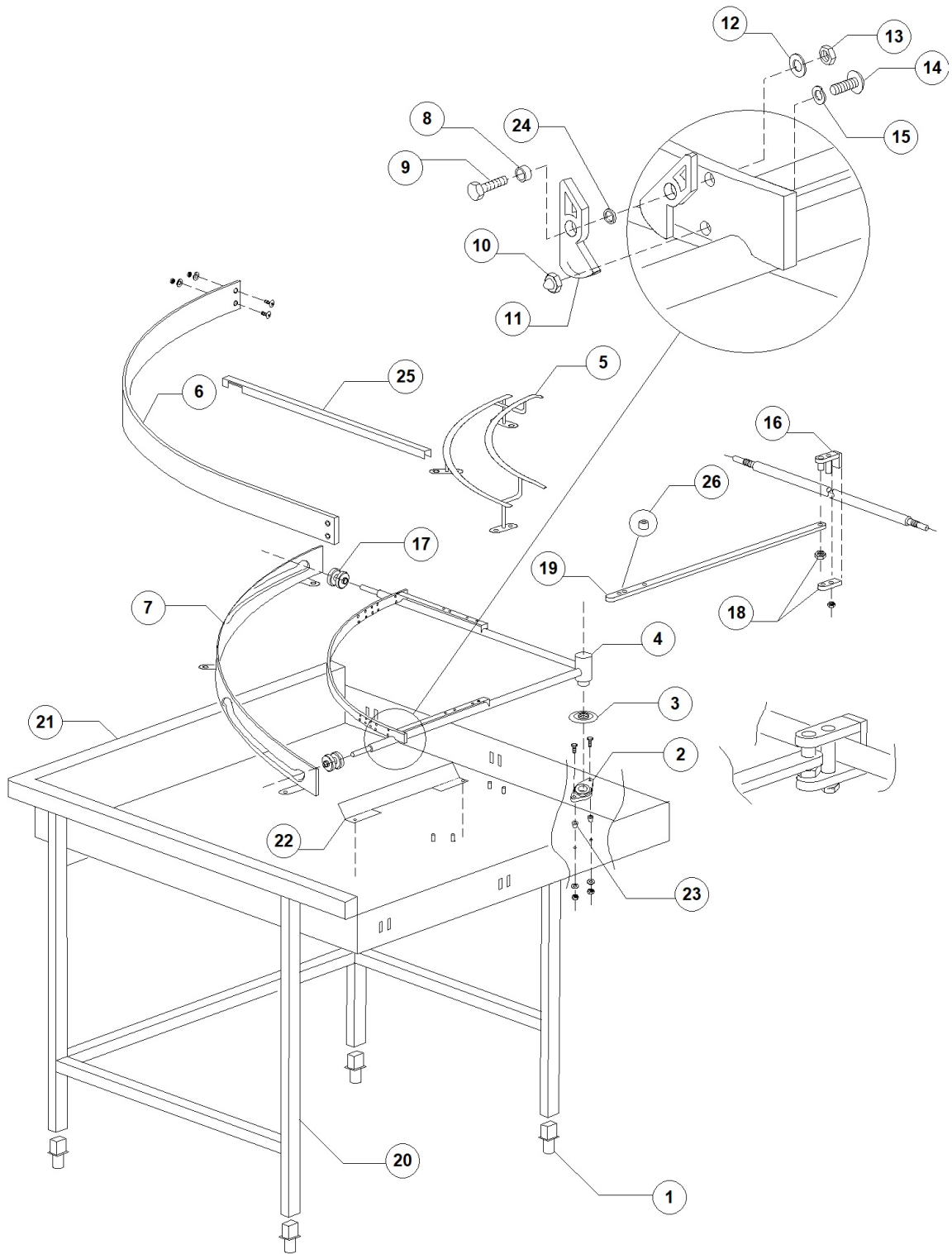
AX220DX LC90 LC91 KIT DDE EAC 400V3N50Hz - DWM1001937 - Baskets (Optional) - DW023



AX220DX LC90 LC91 KIT DDE EAC 400V3N50Hz - DWM1001937 - Baskets (Optional) - DW023

Pos.	Code	Descrizione	Description
1	DWC40	CESTO PIATTI PLASTICA 50X50	PLASTIC PLATES BASKET 500X500
2	DWC41	CESTO POSATE MAG.STRETTA PLASTICA	CUTLERY BASKET - TIGHT MESH (PLASTIC)
3	DWC47	CESTELLO POSATE 8 POSTI	CUTLERY BASKET 8 PLACES
4	DWC43	CESTO TRAINO VASSOI (LATO APERTO)	TRAYS BASKET (ONE SIDE OPEN)
5	DWC44	CESTO BICCHIERI MAGL.LARGA PLASTICA	500X500 LARGE MESH GLASS BASKET
6	DWC112	SEPAR 25P. PER CESTO TRAINO	GLASSES PARTITION 25 PLACES (D.87 MAX)
7	DWC113	SEPAR 16P PER CESTO TRAINO	GLASSES PARTITION 16 PLACES (D.110 MAX)
8	DWC114	SEPAR 36P PER CESTO TRAINO	GLASSES PARTITION 36 PLACES (D.72 MAX)

AX220DX LC90 LC91 KIT DDE EAC 400V3N50Hz - DWM1001937 - 90° mechanized curve - DW023



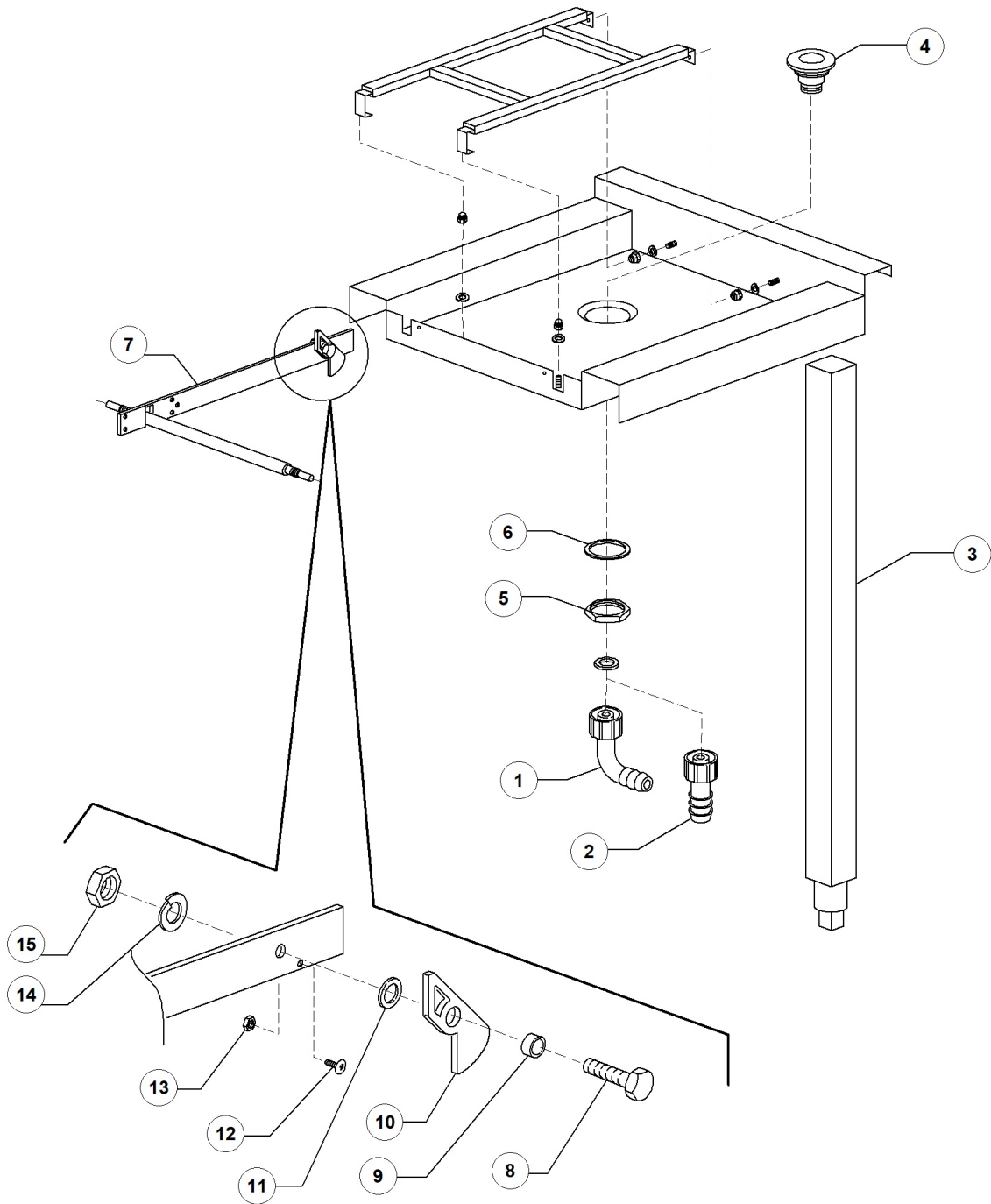
AX220DX LC90 LC91 KIT DDE EAC 400V3N50Hz - DWM1001937 - 90° mechanized curve - DW023

Pos.	Code	Descrizione	Description
1	DW3000252	"PIEDINO INOX 1" PER TUBO 40X40X1"	"S/S 1" FOOT"
2	DW3000260	SUPP.FLANGIATO CATENA CURVA SFT20	FLANGE FOR CHAIN
3	DW3004161	DISCO ANTIGOCCIA PER ASSE MOTORIDUT	MOTOR GEAR SHAFT PROTECTION DISK
4	DW3063006	TRASPORTO CENTRALE C.MECC.90°	MECHANIZED ARC CENTRAL TRANSPORT 90°
5	DW3063002	TONDINO PORTACESTO INTERNO C.MECC. 90°	MECHANIZED ARC INNER SUPPORT BASKET 90°
6	DW3063003	GUIDACESTO EST. C.MECC. 90°	EXTERNAL MECH.ARC BASKET GUIDE 90°
7	DW3063005	PIATTO CALANDRATO C.MECC. 90°	MECHANIZED ARC 90° CENTRAL GUIDE ASSEM
8	DW3003060	DISTANZ. PER ARPIONE SU TAV. E CURVE MEC	PAWL SPACER
9	DW11128	VITE INOX M10X25 TE DIN933	M10X25 TE S/S SCREW
10	DW11707	DADO M5 CIECO CALOTTA SEMISF. A2 DIN1587	S/S CAP NUT M5 DIN1587
11	DW3063009	ARPIONE INOX C. MECC.	MECHANIZED ARC S/S PAWL
12	DW11192	RONDELLA GROWER M10 INOX DIN 127B	M10 S/S GROWER WASHER DIN127B
13	DW11719	DADO M10 INOX DIN 934	S/S NUT M10 DIN934
14	DW11197	VITE M5X10 TCB INOX DIN 7985	M5X10 TCB S/S SCREW DIN7985
15	DW11608	RONDELLA GROWER M5 INOX UNI1751 DIN127	M5 S/S GROWER WASHER UNI1751 DIN127
16	DW3063008	AGGANCIO ASSE MACCHINA	MACHINE AXLE COUPLING
17	DW3063007	RUOTA C.MECC. 90°	WHEEL FOR MECHANIZED ARC 90°
18	DW3063010	CONTRODADO AGG. ASSE CARELLO CUR. MECC.	AXLE MACHINE COUPLING LOCK NUT
19	DW3063004	BIELLA CONN. MACCHINA C.MECC. 90°	CONNECTION ROD FOR MECHANIZED ARC 90°
20	DW3063001	TELAIO CURVA MECCANIZZATA 90°	
21	DW3063000	PIANALE CURVA MECCANIZZATA 90°	MECHANIZED ARC 90° SURFACE
22	DW391080	SPONDINA RICIRC. ARIA ASCIUG. TYPE 91-92	S/S FLAP FOR AIR CIRCULATION
23	DW10600206	OGIVA IN NYLON D.8	SEAL WASHER D.8 NYLON
24	DW3003024	RONDELLA CARRELLO 19X12X1 PTFE	WASHER 19X12X1 PTFE
25	DW3063016	PROFILO DI CHIUSURA E PROTEZIONE	CLOSING AND PROTECTION SECTION
26	DW3003158	DISTANZIALE BIELLA CURVA MECC.	MECHANIZED ARC SPACER

AX220DX LC90 LC91 KIT DDE EAC 400V3N50Hz - DWM1001937 - 180° mechanized curve - DW023

Pos.	Code	Descrizione	Description
1	DW3000252	"PIEDINO INOX 1" PER TUBO 40X40X1"	"S/S 1" FOOT"
2	DW3003133	TELAIO CURVA MECCANIZZATA 180°	
3	DW3009717	CARTER DI PROTEZIONE	
4	DW3009718	SPONDINA. AGG. CURVA MEC. 180°	
5	DW3009714	VASCA PER CURVA MECCANIZZATA 180°	
6	DW3063011	ASS. TONDO GUIDACESTO C.MECC. 180°	
7	DW3063013	ASS. GUIDA TRASPORTO CENTRALE C.MEC.180°	
8	DW3063014	GUIDACESTO EST. C.MECC. 180°	
9	DW3009713	OMEGA SUPPORTO CON GUIDACESTO	
10	DW3000260	SUPP.FLANGIATO CATENA CURVA SFT20	FLANGE FOR CHAIN
11	DW3000262	RULLO A SBALZO D.50X80 M8X25	50X80 EMBOSMENT ROLLER
12	DW3009715	COPERCHIO PER OMEGA SU CURVA MEC. 180°	
13	DW3063012	ASSIEME TRASPORTO CENTRALE C.MECC.180°	MECHANIZED ARC 180° CENTRAL ASSEMBLY
14	DW3063007	RUOTA C.MECC. 90°	WHEEL FOR MECHANIZED ARC 90°
15	DW3003025	BOCCOLA DIST. CARRELLO 11,7X10X6 IN	SPACER FOR CARRIAGE 11,7X10X6
16	DW11109	VITE INOX M10x20 TE DIN933	M10X20 TE S/S SCREW DIN933
17	DW11707	DADO M5 CIECO CALOTTA SEMISF. A2 DIN1587	S/S CAP NUT M5 DIN1587
18	DW3063009	ARPIONE INOX C. MECC.	MECHANIZED ARC S/S PAWL
19	DW11179	RONDELLA 10X40 PIANA ZINCATA DIN9021	10X40 ZINC PLATED PLAIN WASHER
20	DW11192	RONDELLA GROWER M10 INOX DIN 127B	M10 S/S GROWER WASHER DIN127B
21	DW11197	VITE M5X10 TCB INOX DIN 7985	M5X10 TCB S/S SCREW DIN7985
22	DW11608	RONDELLA GROWER M5 INOX UNI1751 DIN127	M5 S/S GROWER WASHER UNI1751 DIN127
23	DW3063015	BIELLA CONN. MACCHINA C.MECC. 180°	CONNECTION ROD FOR MECHANIZED ARC 180°
24	DW3063008	AGGANCIO ASSE MACCHINA	MACHINE AXLE COUPLING
25	DW3063010	CONTRODADO AGG. ASSE CARELLO CUR. MECC.	AXLE MACHINE COUPLING LOCK NUT
26	DW11718	DADO M8 AUTOBLOCCANTE INOX DIN 982	S/S SELF-LOCKING NUT M8 DIN982
27	DW3009716	SQUADRETTA DI RINFORZO A L	
28	DW3004161	DISCO ANTIGOCCIA PER ASSE MOTORIDUT	MOTOR GEAR SHAFT PROTECTION DISK
29	DW10200113	PILETTA SCARICO	FLOOR DRAIN
30	DW10200173/A	GUARNIZIONE 75X58X3	75X58X3 GASKET
31	DW10200114	DADO PILETTA G2 ESA-75	FLOOR DRAIN NUT
32	DW3009393	SUPPORTO PULSANTE EMERGENZA	
33	DW3000264	SCATOLA IP55 PER EMERGENZA CURVA	ARC EMERGENCY BOX IP55
34	DW3000263	#PUL.EMER.CURVA N.V. 3002050+3002056+AG)	EMERGENCY SWITCH
34	DW3002050	PULS.FUNGO D.35 OP.SBLOC.ROT. 30A3	EMERGENCY BUTTON
35	DW3000266	FRUTTO MASCHIO 5 POLI	.
36	DW3000267	FRUTTO FEMMINA 5 POLI	.
37	DW3003158	DISTANZIALE BIELLA CURVA MECC.	MECHANIZED ARC SPACER

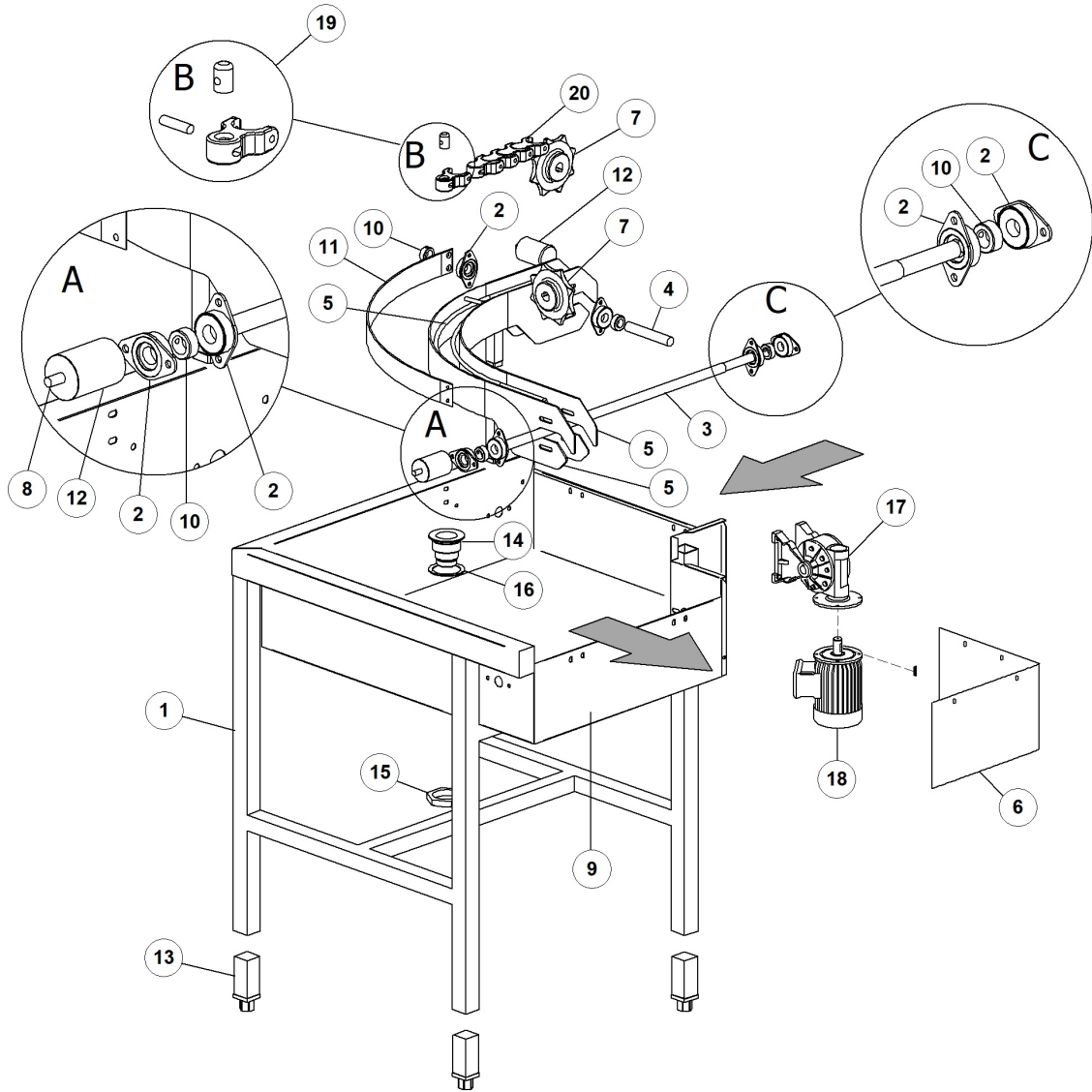
AX220DX LC90 LC91 KIT DDE EAC 400V3N50Hz - DWM1001937 - Angle loading table - DW023



AX220DX LC90 LC91 KIT DDE EAC 400V3N50Hz - DWM1001937 - Angle loading table - DW023

Pos.	Code	Descrizione	Description
1	DW15613	"GOMITO NYLON SCARICO 1"1/4X32"	"DRAIN ELBOW 1" 1/4X32"
2	DW15613/A	"PORTAGOMM.SCARICO 1"1/4X32 DRITTO"	"STRAIGHT HOSE CONNECTOR 1"1/4X32"
3	DW3009608	#ASS.GAMBA PER LC98	LEG ASSEMBLY
4	DW10200113	PILETTA SCARICO	FLOOR DRAIN
5	DW10200114	DADO PILETTA G2 ESA-75	FLOOR DRAIN NUT
6	DW10200173	GUARNIZIONE 75X58X2	75X58X2 GASKET
7	DW3003071	SUPPORTO ARPIONE TAV. ANG. 35X6X450	ANGLE TABLE PAWL SUPPORT
7	DW3003071/A	SUPP. MAGG. ARPIONE TAV. ANG. 35X6X600	
8	DW11128	VITE INOX M10X25 TE DIN933	M10X25 TE S/S SCREW
9	DW3003060	DISTANZ. PER ARPIONE SU TAV. E CURVE MEC	PAWL SPACER
10	DW3063009	ARPIONE INOX C. MECC.	MECHANIZED ARC S/S PAWL
11	DW3003024	RONDELLA CARRELLO 19X12X1 PTFE	WASHER 19X12X1 PTFE
12	DW11197	VITE M5X10 TCB INOX DIN 7985	M5X10 TCB S/S SCREW DIN7985
13	DW11707	DADO M5 CIECO CALOTTA SEMISF. A2 DIN1587	S/S CAP NUT M5 DIN1587
14	DW11192	RONDELLA GROWER M10 INOX DIN 127B	M10 S/S GROWER WASHER DIN127B
15	DW11719	DADO M10 INOX DIN 934	S/S NUT M10 DIN934

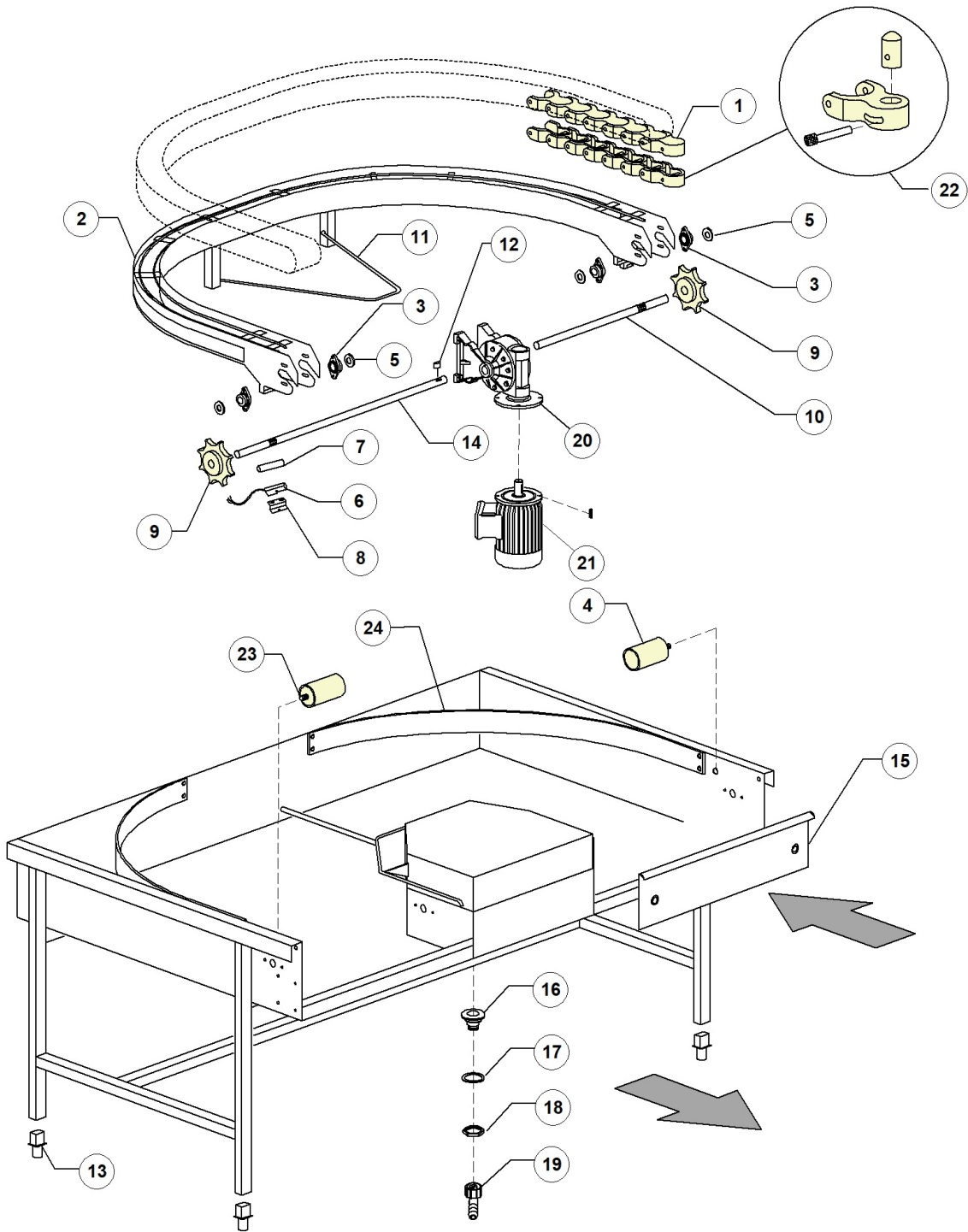
AX220DX LC90 LC91 KIT DDE EAC 400V3N50Hz - DWM1001937 - 90° motorized curve - DW023



AX220DX LC90 LC91 KIT DDE EAC 400V3N50Hz - DWM1001937 - 90° motorized curve - DW023

Pos.	Code	Descrizione	Description
2	DW3000260	SUPP.FLANGIATO CATENA CURVA SFT20	FLANGE FOR CHAIN
3	DW3003047	ALBERO ROTAZ.CATENA C.M.	SHAFT FOR MOTORIZED ARC CHAIN ROTATION
7	DW3000261	PIGNONE 8 DENTI D.130.6	8 TEETH PINION D.130.6
8	DW3003030	DISTANZIALE PER RULLI Ç?10X1 - L55	ROLLER SPACER D.10X1 L55
10	DW3003048	DISTANZIALE CUSCIN.ALB.C.M.	SPACER FOR BEARINGS
11	DW3009312	PIATTO GUIDA CESTO C.M.90¶ø	
12	DW3000262	RULLO A SBALZO D.50X80 M8X25	50X80 EMBOSMENT ROLLER
13	DW3000252	"PIEDINO INOX 1" PER TUBO 40X40X1"	"S/S 1" FOOT"
14	DW10200113	PILETTA SCARICO	FLOOR DRAIN
15	DW10200114	DADO PILETTA G2 ESA-75	FLOOR DRAIN NUT
16	DW10200173	GUARNIZIONE 75X58X2	75X58X2 GASKET
18	DW3000107	MOTORE 6/8P 400V 50Hz RIDOTTO	MOTOR 6/8P 400V 50HZ
19	DW3000270	SPINTORE+SUPP.+PERN.PER CAT.REGINA	PUSHER+SUPPORT+ PIN FOR CHAIN
20	DW3000259	CATENA PER CURVA MOD. 1702 1-11-1	ARC CHAIN

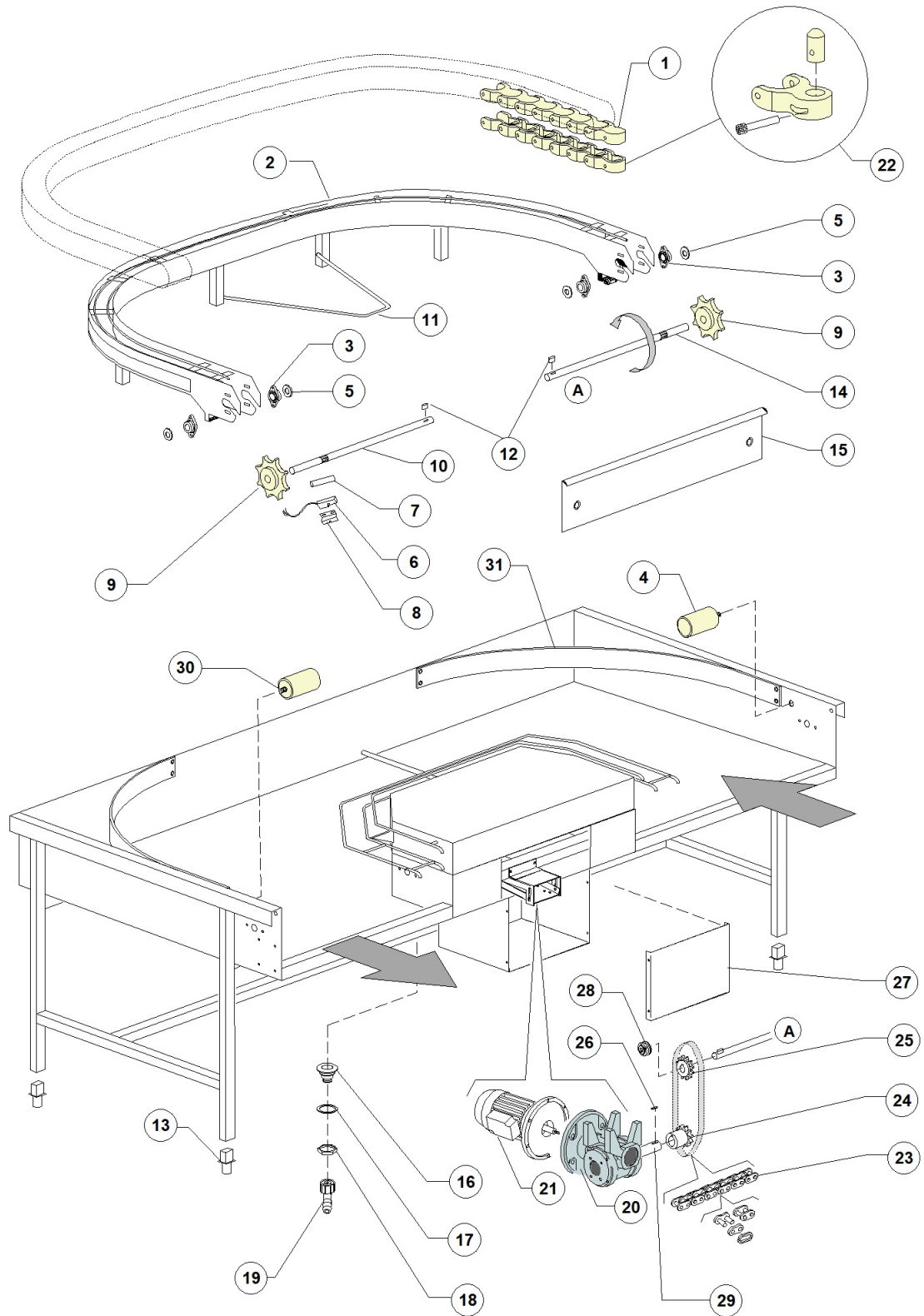
AX220DX LC90 LC91 KIT DDE EAC 400V3N50Hz - DWM1001937 - 180° motorized curve - DW023



AX220DX LC90 LC91 KIT DDE EAC 400V3N50Hz - DWM1001937 - 180° motorized curve - DW023

Pos.	Code	Descrizione	Description
1	DW3000259	CATENA PER CURVA MOD. 1702 1-11-1	ARC CHAIN
2	DW3003056	ASSIEME GUIDA PER CATENA 180 \varnothing	KIT GUIDE FOR CHAIN 180 \varnothing
3	DW3000260	SUPP.FLANGIATO CATENA CURVA SFT20	FLANGE FOR CHAIN
4	DW3000262	RULLO A SBALZO D.50X80 M8X25	50X80 EMBOSMENT ROLLER
5	DW3003048	DISTANZIALE CUSCIN.ALB.C.M.	SPACER FOR BEARINGS
6	DW3003112	REED MICRO PORTA E530	MAGNETIC REED SWITCH
7	DW80232	MAGNETE PER REED PER LP	REED MAGNETIC UNIC
8	DW3009112	PIEG. SUPPORTO MAGNETE PER PORTA	ECONOMIZER MICROSWITCH SUPPORT
9	DW3000261	PIGNONE 8 DENTI D.130.6	8 TEETH PINION D.130.6
10	DW3003051	ALBERO FOLLE PER CATENA C.M.180 \varnothing	NEUTRAL SHAFT FOR CHAIN
11	DW3003004	BRACCIO SOLLEV. GUIDA CATENA MOT. 180	
13	DW3000252	"PIEDINO INOX 1" PER TUBO 40X40X1"	"S/S 1" FOOT"
14	DW3003047	ALBERO ROTAZ.CATENA C.M.	SHAFT FOR MOTORIZED ARC CHAIN ROTATION
16	DW10200113	PILETTA SCARICO	FLOOR DRAIN
17	DW10200173	GUARNIZIONE 75X58X2	75X58X2 GASKET
18	DW10200114	DADO PILETTA G2 ESA-75	FLOOR DRAIN NUT
19	DW15613/A	"PORTAGOMM.SCARICO 1"1/4X32 DRITTO"	"STRAIGHT HOSE CONNECTOR 1"1/4X32"
21	DW3000107	MOTORE 6/8P 400V 50Hz RIDOTTO	MOTOR 6/8P 400V 50HZ
22	DW3000270	SPINTORE+SUPP.+PERN.PER CAT.REGINA	PUSHER+SUPPORT+ PIN FOR CHAIN
23	DW3003030	DISTANZIALE PER RULLI C?10X1 - L55	ROLLER SPACER D.10X1 L55
24	DW3009312	PIATTO GUIDA CESTO C.M.90 \varnothing	

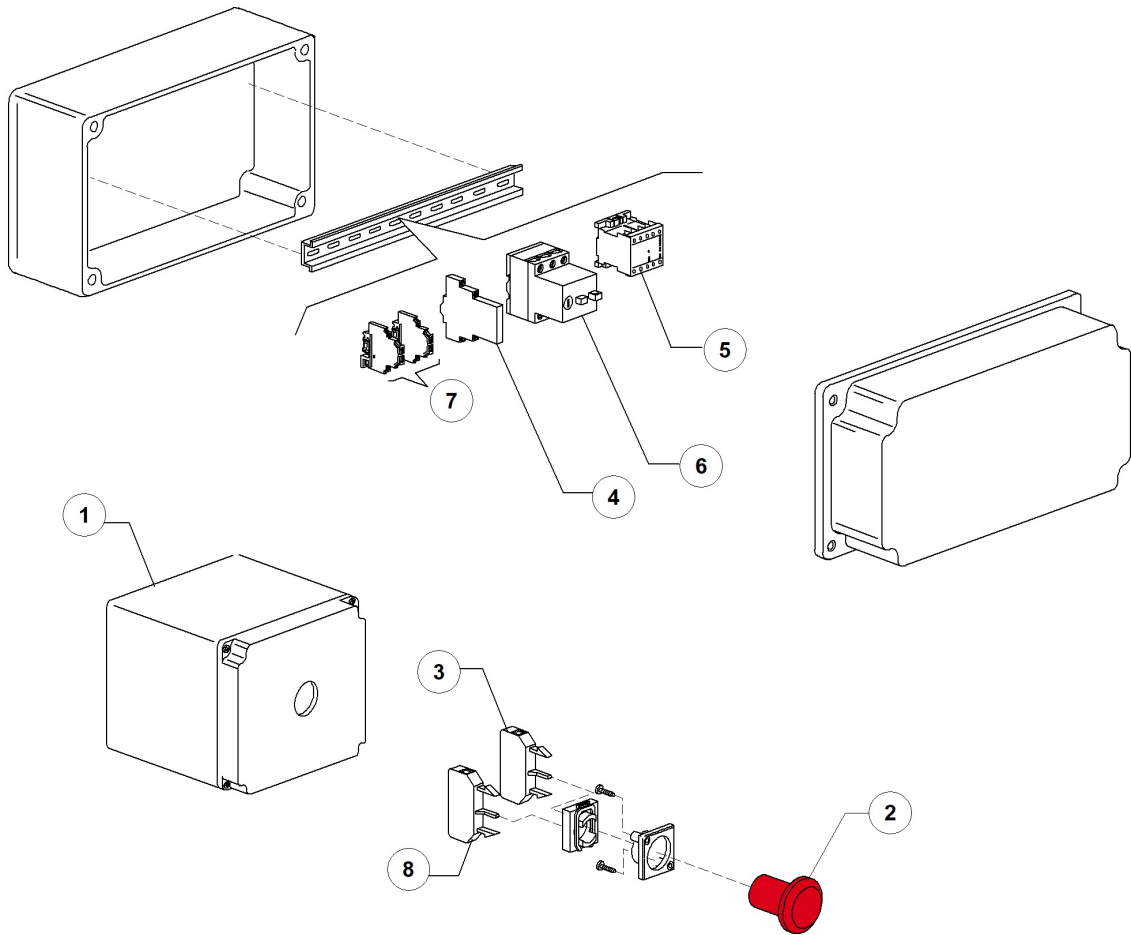
AX220DX LC90 LC91 KIT DDE EAC 400V3N50Hz - DWM1001937 - 180° motorized curve L=2000 - DW023



AX220DX LC90 LC91 KIT DDE EAC 400V3N50Hz - DWM1001937 - 180° motorized curve L=2000 - DW023

Pos.	Code	Descrizione	Description
1	DW3000259	CATENA PER CURVA MOD. 1702 1-11-1	ARC CHAIN
3	DW3000260	SUPP.FLANGIATO CATENA CURVA SFT20	FLANGE FOR CHAIN
4	DW3000262	RULLO A SBALZO D.50X80 M8X25	50X80 EMBOSMENT ROLLER
5	DW3003048	DISTANZIALE CUSCIN.ALB.C.M.	SPACER FOR BEARINGS
6	DW3003112	REED MICRO PORTA E530	MAGNETIC REED SWITCH
7	DW80232	MAGNETE PER REED PER LP	REED MAGNETIC UNIC
8	DW3009112	PIEG. SUPPORTO MAGNETE PER PORTA	ECONOMIZER MICROSWITCH SUPPORT
9	DW3000261	PIGNONE 8 DENTI D.130.6	8 TEETH PINION D.130.6
10	DW3003051	ALBERO FOLLE PER CATENA C.M.180 \varnothing	NEUTRAL SHAFT FOR CHAIN
11	DW3003004	BRACCIO SOLLEV. GUIDA CATENA MOT. 180	
13	DW3000252	"PIEDINO INOX 1" PER TUBO 40X40X1"	"S/S 1" FOOT"
16	DW10200113	PILETTA SCARICO	FLOOR DRAIN
17	DW10200173	GUARNIZIONE 75X58X2	75X58X2 GASKET
18	DW10200114	DADO PILETTA G2 ESA-75	FLOOR DRAIN NUT
19	DW15613/A	"PORTAGOMM.SCARICO 1"1/4X32 DRITTO"	"STRAIGHT HOSE CONNECTOR 1"1/4X32"
21	DW3000107	MOTORE 6/8P 400V 50Hz RIDOTTO	MOTOR 6/8P 400V 50HZ
22	DW3000270	SPINTORE+SUPP.+PERN.PER CAT.REGINA	PUSHER+SUPPORT+ PIN FOR CHAIN
26	DW3060181	CHIAVETTA 5X5X25 INOX	S/S FLAT KEY 5X5X25
30	DW3003030	DISTANZIALE PER RULLI \varnothing 7.10X1 - L55	ROLLER SPACER D.10X1 L55
31	DW3009312	PIATTO GUIDA CESTO C.M.90 \varnothing	

AX220DX LC90 LC91 KIT DDE EAC 400V3N50Hz - DWM1001937 - Emergency Button - DW023



AX220DX LC90 LC91 KIT DDE EAC 400V3N50Hz - DWM1001937 - Emergency Button - DW023

Pos.	Code	Descrizione	Description
1	DW3000264	SCATOLA IP55 PER EMERGENZA CURVA	ARC EMERGENCY BOX IP55
2	DW3002050	PULS.FUNGO D.35 OP.SBLOC.ROT. 30A3	EMERGENCY BUTTON
3	DW3002054	CONTATTO 1NA	CONTACT 1NA
4	DW3006080	CONTATTO AUX. LMS25 11LMH11 1NA+1NC	AUXILIARY CONTACT LMS25 11LMH11 1NA-1NC
5	DW2000370	TELERUTTORE 9A/16A 24V 50/60Hz	CONTACTOR 9A/16A 24V 50/60Hz
7	DW3006147	MORSETTO PORTAFUSIBILI 5x20 (5x25)	FUSE CARRIER
8	DW3002056	CONTATTO 1NC RET. 31A5	CONTACT 1NC

