

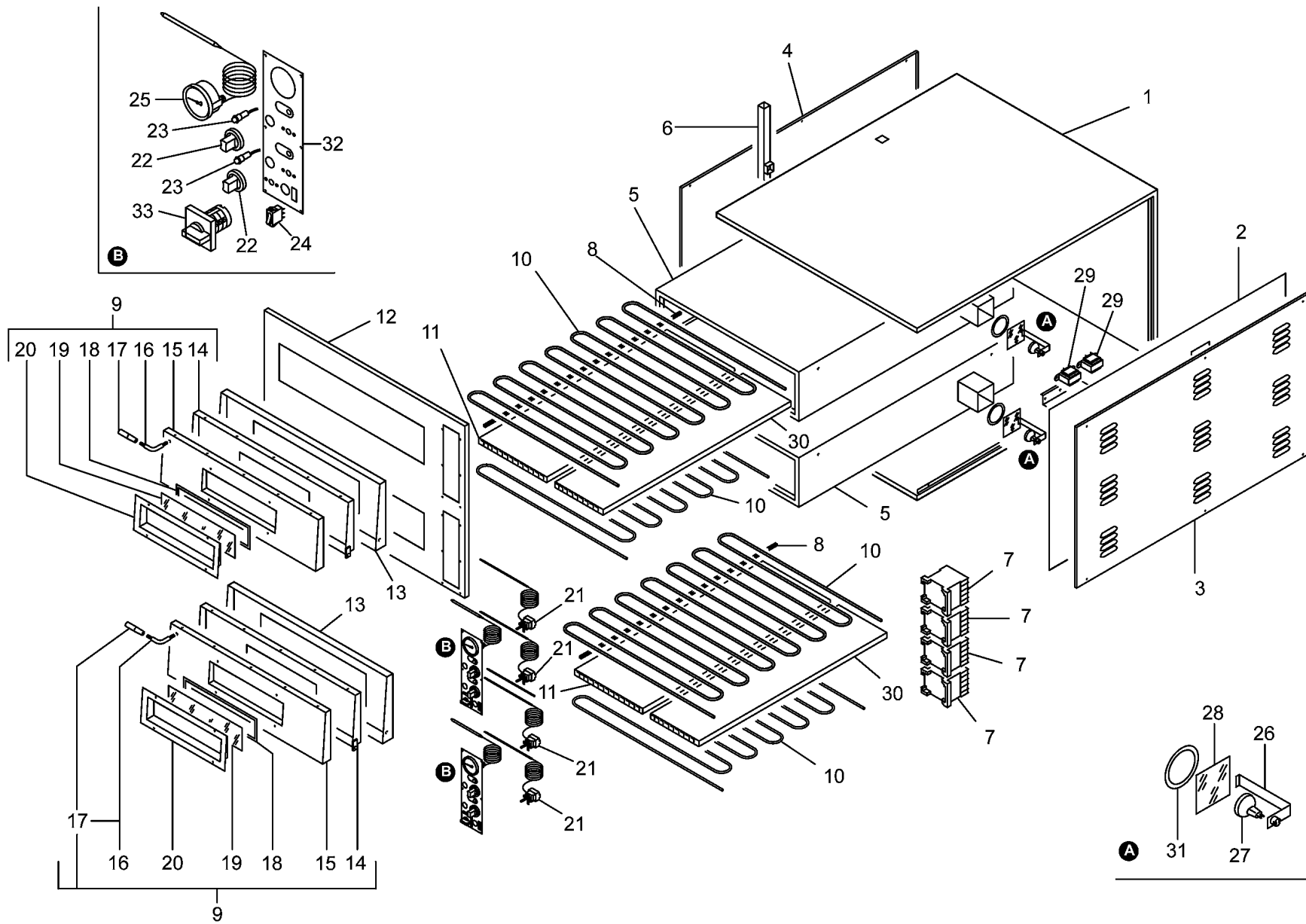


## TAVOLA RICAMBI SPARE PARTS

FML4-44-6-W6-66-W66-9-99

SPEC.	N.	CODE	DENOMINAZIONE - DENOMINATION
(FML44)	1	CO8995	Involucro - Casing
(FML6-66/W)	2	CO9545	Antiroambo - Sound deadner
(FML4-W6)	3	CO2583	Copertura - Covering
(FML44-W66)	3	CO2584	Copertura - Covering
(FML6)	3	CO2585	Copertura - Covering
(FML66)	3	CO2586	Copertura - Covering
(FML9)	3	CO2587	Copertura - Covering
(FML99)	3	CO2588	Copertura - Covering
(FML4-W6)	4	CO2589	Copertura - Covering
(FML44-W66)	4	CO2590	Copertura - Covering
(FML6)	4	CO2591	Copertura - Covering
(FML66)	4	CO2592	Copertura - Covering
(FML9)	4	CO2593	Copertura - Covering
(FML99)	4	CO2594	Copertura - Covering
12A (FML9-99)	7	CO10266	Teleruttore - Remote control switch
	7	CO3333	Teleruttore - Remote control switch
(FML4-44-W6-W66)	8	CO2675	Asta - Rod
(FML6-66)	8	CO2676	Asta - Rod
(FML9-99)	8	CO2677	Asta - Rod
Assembly Stainless steel (FML4-44-6-66)	9	CO2678	Sportello - Door
Assembly Rustic (FML4-44-6-66)	9	CO2679	Sportello - Door
Assembly Stainless steel (FMLW6-W66-9-99)	9	CO2680	Sportello - Door
Assembly Rustic (FMLW6-W66-9-99)	9	CO2681	Sportello - Door
230V/1Ph/50-60Hz (FML4-44)	* 10	CO2682	Resistenza - Resistance
230V/1Ph/50-60Hz (FML6-66)	* 10	CO2683	Resistenza - Resistance
230V/1Ph/50-60Hz (FML9-99)	* 10	CO3674	Resistenza - Resistance
230V/1Ph/50-60Hz (FMLW6-W66)	* 10	CO3895	Resistenza - Resistance
	11	CO2684	Piana - Stone
(FML4-44-6-66)	13	CO2694	Telaio - Frame
(FMLW6-W66-9-99)	13	CO2695	Telaio - Frame
(FML4-44-6-66)	14	CO2696	Sportello - Door
(FMLW6-W66-9-99)	14	CO2697	Sportello - Door
Stainless steel (FML4-44-6-66)	15	CO2698	Sportello - Door
Stainless steel (FMLW6-W66-9-99)	15	CO2699	Sportello - Door
Rustic (FML4-44-6-66)	15	CO2814	Sportello - Door
Rustic (FMLW6-W66-9-99)	15	CO2815	Sportello - Door
Assembly	16	CO1214	Supporto - Support

\*Ricambio consigliato - Advised spare parts



POS. CODE

1	CO8995
2	CO9545
3	CO2583
3	CO2584
3	CO2585
3	CO2586
3	CO2587
3	CO2588
4	CO2589
4	CO2590
4	CO2591
4	CO2592
4	CO2593
4	CO2594
7	CO10266
7	CO3333
8	CO2675
8	CO2676
8	CO2677
9	CO2678
9	CO2679
9	CO2680
9	CO2681
10	CO2682
10	CO2683
10	CO3674
10	CO3895
11	CO2684
13	CO2694
13	CO2695
14	CO2696
14	CO2697
15	CO2698
15	CO2699
15	CO2814
15	CO2815
16	CO1214

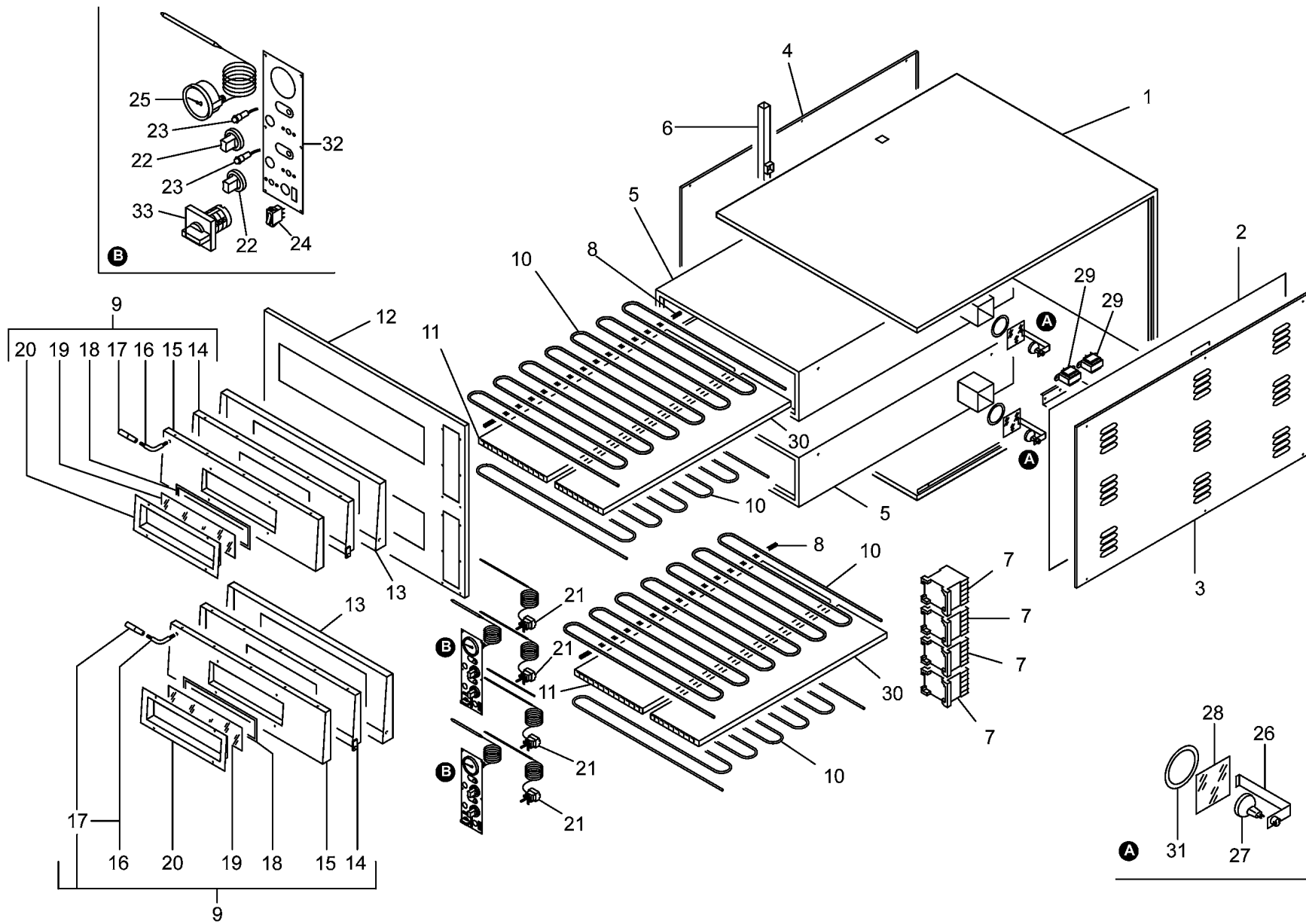


## TAVOLA RICAMBI SPARE PARTS

FML4-44-6-W6-66-W66-9-99

SPEC.	N.	CODE	DENOMINAZIONE - DENOMINATION
	17	SL0106	Maniglia - Handle
dal 01-02-14	18	CO8985	Guarnizione - Gasket
fino al 31-01-14 f.p.(*)	18	CO9398	GUARNIZIONE - GASKET
	19	CO4735	Vetro - Glass
(FML6-66-9-99) dal 01/02/14	* 19	CO7620	Vetro - Glass
	20	CO0865	Cornice - Moulding
	* 21	CO3601	Termostato - Thermostat
18/04/08 f.p.(*)	21	CO3602	Termostato - Thermostat
	22	SL3550	Pomello - Knob
230V 2W	* 23	32W2970	Lampada - Lamp
	* 24	CO1269	Interruttore - Switch
	* 25	CO1270	Pirometro - Pyrometer
	26	CO2026	Supporto - Support
12V (Halogen)	* 27	CO1979	Lampada - Lamp
	28	CO3318	Vetro - Glass
12V	29	CO1980	Trasformatore - Transformer
(FML9-99)	30	CO2685	Piana - Stone
	31	CO3329	Guarnizione - Gasket
superiore	32	SL3701	Etichetta - Label
inferiore	32	SL3702	Etichetta - Label
(FML4-44-6-66-W6-W66)	33	CO3050	Interruttore - Switch
(FML9-99)	33	CO3052	Interruttore - Switch

\*Ricambio consigliato - Advised spare parts



POS. CODE

17	SL0106
18	CO8985
18	CO9398
19	CO4735
19	CO7620
20	CO0865
21	CO3601
21	CO3602
22	SL3550
23	32W2970
24	CO1269
25	CO1270
26	CO2026
27	CO1979
28	CO3318
29	CO1980
30	CO2685
31	CO3329
32	SL3701
32	SL3702
33	CO3050
33	CO3052