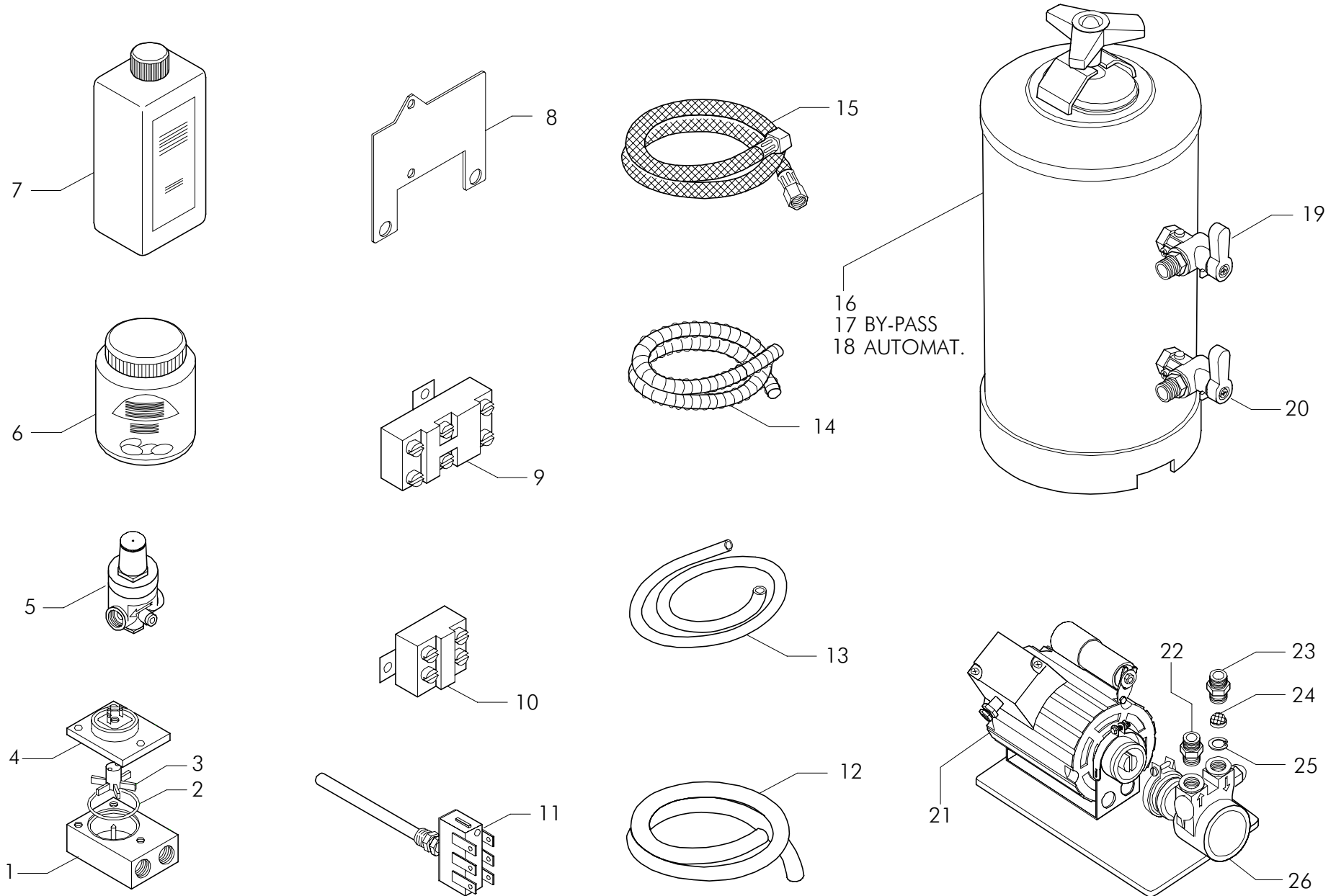


Pos	Cod.	Denominazione - IT -	Denomination - GB -	Denomination - FR -	Denomination - DE -
1	27032001	BECCUCCIO OTT/NI 1 TAZZA	BRASS SPOUT/NI 1 LONG CUP	BEC LAITON/NICKELE 1 TASSE LONG	AUSGUSS MESSING/NICKEL 1 TASSE LANG
2	27042001	BECCUCCIO OTT/NI 2 TAZZE	2 CUPS BRASS/NICKEL SPOUT	BEC 2 TASSES LAITON/NICKEL	MESSING/NICK. SCHNABEL FÜR 2 TASSEN
3	15486006	TAPPO MANOPOLA PORTAFILTRO CROMATO	CAP FILTER HOLDER KNOB	BOUCHON POIGNEE PORTE-FILTRE	GRIFFVERSCHLUSS FILTERHALTER
4	15263010	MANOPOLA PORTAFILTRO NERA+INSERTO M12	FILTER HOLDER KNOB	POIGNEE PORTE-FILTRE	FILTERHALTER GRIFF
5	27060201	PROLUNGA BECCUCCIO 1/2 TAZZE	EXTENSION	PROLONGE	VERLÄNGERUNG
6	27311000	PORTAFILTRO LAV.+ CROM.+MANOPOLA	FILTER HOLDER UNIT	ENSEMBLE PORTE-FILTRE	FILTERHALTER SATZ
7	27254	MOLLA FERMAFILTRO D-1,4	FILTER CLAMP SPRING D-1,4	RESSORT BLOCAGE-FILTRE D-1,4	FILTERHALTEFEDER D-1,4
8	27142	FILTRO INOX 1 TAZZA E/61 + CANALINO	E/61 1 CUP STAINLESS STEEL FILTER	FILTRE INOX 1 TASSE E/61 + RIGOLE	EDELSTAHL-FILTER 1 TASSE E/61 +FUE
8	27146	FILTRO INOX 1 TAZZA 19.5 + CANALINO	19.5 1 CUP STAINLESS STEEL FILTER	FILTRE INOX 1 TASSE 19.5 + RIGOLE	EDELSTAHL-FILTER 1 TASSE 19.5 +
9	27171	FILTRO INOX 2 TAZZE E/61 + CANALINO	E/61 2 CUP STAINLESS STEEL FILTER	FILTRE INOX 2 TASSES E/61 + RIGOLE	EDELSTAHL-FILTER 2 TASSEN E/61 +
9	27176	FILTRO INOX 2 TAZZE 22 + CANALINO	2 CUP STAINLESS STEEL FILTER 22	FILTRE INOX 2 TASSES 22 + RIGOLE	EDELSTAHL-FILTER 2 TASSEN 22 +
10	27173	FILTRO INOX 2 TAZZE CIECO	2 CUP STAINLESS STEEL CLOSED FILTER	FILTRE INOX 2 TASSES AVEUGLE	ROSTFREIER FILTER 2 TASSEN ÖFFNUNG
11	27032	BECCUCCIO OTT/NI 1 TAZZA LUNGO	BRASS SPOUT/NI 1 LONG CUP	BEC LAITON/NICKELE 1 TASSE LONG	AUSGUSS MESSING/NICKEL 1 TASSE LANG
12	27042	BECCUCCIO OTT/NI 2 TAZZE W FISSO	FIXED 2 CUPS BRASS/NICKEL SPOUT	BEC 2 TASSES LAITON/NICKEL FIXE	BEFESTIGER AUSGUSS 2 TASSEN CMA
13	27304	PORTAFILTRO	FILTER SUPPORT	PORTE-FILTRE	FILTERHALTERUNG
14	27195	FILTRO INOX 1 TRONCONE H52MM GIG	1 LARGER SIZED STAINLESS STEEL FILT	FILTRE INOX 1 ELEMENT H52MM GIG	FILTER ROSTFREI STÄRKER H52MM GIG
15	61010	PORTAFILTRO GIGANTE	GIANT FILTER SUPPORT	PORTE-FILTRE GEANT	GROSSER FILTERTÄGER
16	25387	DADO 3/8 FORO 12.5	3/8 NUT 12.5 HOLE	ECROU 3/8 TROU 12.5	MUTTER3/8 LOCH 12.5
17	52000155	TUB.D-10 L.215 FG 1 CANNETTA CROMATA	TUBE D-10 L.215	TUYAU D-10 L.215	ROHR D-10 L.215
18	15295	CLIPS ANTISCOTTATURA NERA	BLACK ANTISCORCHING CLIP	CLIP ANTI-BRULURES NOIRE	VERBRENNUNGSSCHUTZKLIPS
19	27190	FILTRO INOX 3 TAZZE 304/28	3 CUP STAINLESS STEEL FILTER 304/28	FILTRE INOX 3 TASSES 304/28	ROSTFREIER FILTER 3 TASSEN 304/28
20	27050	BECCUCCIO OTT/NI 3 TAZZE CORTO	BRASS SPOUT/NI 3 SHORT CUPS	BEC LAITON/NICKELE 3 TASSES COU	AUSGUSS OTT/NI 3 TASSEN KURZ
21	83300000	KIT CAPPUCCINATORE	CAPPUCCINO MAKERKIT	KIT CAPPUCCINO	KIT CAPPUCCINO
22	30300	ZUCCHERIERA INOX	STAINLESS STEEL SUGAR-BOWL	SUCRIER INOX	ZUCKERDOSE ROSTFREI
23	15290	MISURINO IN PLASTICA GR.7	7 GR PLASTIC MEASURE	MESURE EN PLASTIQUE 7 GR.	PLASTIKMESSBECHER GR.7
23	30150	MISURINO ACCIAIO INOX	STAINLESS STEEL MEASURE GR.7	MESURE ACIER INOX 7GR.	EDELSTAHL-MESSBECHER 7GR.
24	15420	PRESSINO CAFFE'	COFFEE PRESS	PRESSE CAFE	EINDRÜCKVORRICHTUNG
24	241034	FUSIONE ALLUMINIO 60/82 PRESSINO	COFFEE PRESS ALUMINIUM	PRESSE ALUMINIUM	EINDRÜCKVORRICHTUNG ALUMINIUM



Pos	Cod.	Denominazione - IT -	Denomination - GB -	Denomination - FR -	Denomination - DE -
1	18121	CORPO DOSATORE FLOWMETER FH 12	FH 12 FLOWMETER DOSING BODY	CORPS DOSEUR FLOWMETER FH 12	DOSIERKÖRPERFLOWMETER FH 12
2	12315	GUARNIZIONE OR 2112 28.2X1.78 VITON	O RING SEAL 28.2X1.78 VITON	JOINT OR 28.2X1.78 VITON	O-RINGDICHT.28.2X1.78 VITON
3	15505	VENTOLINO DOSATORE FLOWMETER	FLOWMETER DOSING FAN	DOSEUR FLOWMETER	KL.DOSIERUNGSLAUFRAD FLOWMETER
4	18565	TESTINA DOSATORE FLOWMETER FH 12	FH 12 FLOWMETER DOSER HEAD	TETE DOSEUR FLOWMETER FH 12	DOSIERERKOPF FLOWMETER FH 12
5	26330	RIDUTTORE PRESSIONE STANDARD PN25	PN25 DN3/8 STANDARD PRESS. REDUCTIO	REDUCTEUR PRESS. STANDARD PN25 DN3	DRUCKREDUZIERER STANDARD PN25 DN3/8
6	08452	DETERGENTE KMR PASTIGLIE CONF.200PZ	KMR PACK OF 200 TAB	DETERG.KMR CONF.200 PASTIL	REINIGUNGSM. KMR PACK 200 TABL
7	08453	DETERGENTE V7000 CONF.1LT	V7000 - 1 LT. PACK	DETERSIF V7000 DE 1 L	REINIGUNGSMITTEL V7000 PACKUNG 1 L
8	77699	SUPPORTO TERMOSTATI 2030000X	2030000X THERMOSTAT SUPPORT	SUPPORT THERMOSTATS 2030000X	THERMOSTATHALTER 2030000X
9	20300008	TERMOSTATO 3P 120C TRECI 67T26 505007	SAFETY CUT-OUT 3P 120C	THERMOSTAT 3P 120C	THERMOSTAT 3P 120C
10	20300006	TERMOSTATO 2P 120C TRECI 66TM 301631	SAFETY CUT-OUT 2P 120C	THERMOSTAT 2P 120C	THERMOSTAT 2P 120C
11	20302	TERMOSTATO SALVARESISTENZA	SAFETY CUT-OUT	THERMOSTAT PROTEGE-RESISTANCE	THERMOSTAT
12	15458	TUBO RETINATO CRISTALLINO 16X10	TUBE 16X10	TUYAU 16X10	ROHR 16X10
13	15476	TUBO SILICONE 5X8 KGXMT 0.044	5X8 SILICONE PIPE	TUYAU SILICONE 5X8 KGXMT 0.04	SILIKONROHR 5X8 KGXMT 0.044
14	15470	TUBO CAVOFLEX D16 SCARICO	D16 CAVOFLEX DRAIN PIPE	TUYAU CAVOFLEX D16 SCARICO	ABFLUSSROHR CAVOFLEX D16
15	30401	TUBOFLEX 1/4FF P.GOMMA CON. L28 NI	1/4 FEMALE FLEX PIPE CONICAL HOSE F	TUYAU FLEX 1/4 FF PORTE-TUYAU	SCHLAUCH 1/4 AUFNAHMETÜR GUMMI KONI
15	30403	TUBOFLEX 3/8FF P.GOMMA CON. L33 NI	3/8 FEMALE FLEX PIPE CONICAL HOSE F	TUYAU FLEX 3/8 FF PORTE-TUYAU	SCHLAUCH 3/8 AUFNAHMETÜR GUMMI KONI
15	30404	TUBOFLEX 3/8FF P.GOMMA CON. L45 NI	3/8 FEMALE FLEX PIPE CONICAL HOSE F	TUYAU FLEX 3/8 FF PORTE-TUYAU	SCHLAUCH 3/8 AUFNAHMETÜR GUMMI KONI
15	30407	TUBOFLEX 3/8FF P.GOMMA CON. L100 NI	3/8 FEMALE FLEX PIPE CONICAL HOSE F	TUYAU B0 FLEX 3/8 FF PORTE-TUYAU	SCHLAUCH 3/8 AUFNAHMETÜR GUMMI KONI
15	30408	TUBOFLEX 3/8FF P.GOMMA CON. L150 NI	3/8 FEMALE FLEX PIPE CONICAL HOSE F	TUYAU FLEX 3/8 FF PORTE-TUYAU	SCHLAUCH 3/8 AUFNAHMETÜR GUMMI KONI
16	26029	ADDOLCITORE DVA LT5	WATER SOFTENER LT.5	ADOUCISSEUR LT.5	ENTKÄELKER LT.5
16	26030	ADDOLCITORE DVA LT 8	DVA 8 LT WATER SOFTENER	ADOUCISSEUR DVA LT 8	ENTHÄRTER DVA LT 8
16	26031	ADDOLCITORE DVA LT 12	DVA 12 LT WATER SOFTENER	ADOUCISSEUR DVA LT 12	ENTHÄRTER DVA LT 12
16	26032	ADDOLCITORE DVA LT 16	DVA 16 LT WATER SOFTENER	ADOUCISSEUR DVA LT 16	ENTHÄRTER DVA LT 16
17	26033	ADDOLCITORE DVA LT 8 BY-PASS	WATER SOFTENER DVA LT.8 BY-PASS	ADOUCISSEUR DVA LT.8 BY-PASS	ENTKALKER DVA LT.8 BY-PASS
17	26034	ADDOLCITORE DVA LT 12 BY-PASS	SOFTENER DVA LT. 12 BY-PASS	ADOUCISSEUR DVA LT. 12 BY-PASS	ENTHARTER DVA LT.12 BY-PASS
17	26035	ADDOLCITORE DVA LT 16 BY-PASS	SOFTNER DVA LT.16 BY-PASS	ADOUCISSEUR DVA LT. 16 BY-PASS	ENTHALTER DVA LT.16 BY-PASS
18	26037	ADDOLC.AUT.CABIN.LT 8 DM 01 3/8"	AUTOMATIC WATER SOFTENER LT.8	ADOUCISSEUR AUTOMATIQUE LT.8	AUTOMATISCHE ENTHARTER DVA LT.8
19	28203	MANOPOLA ROSSA RUBINETTO ADDOLCIT.	RED HANDLE X WATER SOFTENER TAP	POIGNEE ROUGE X ROBINET ADOUCISSEUR	ROTER HANDGRIFF X ENTKALKERHAHN
20	28284	RUBINETTO PER ADDOLCITORE	TAP FOR SOFTENER	ROBINET POUR ADOUCISSEUR	HAHN FÜR ENTHÄRTER
21	18300	MOTORE R.P.M. 230/50-60 110027.06	MOTOR R.P.M. 230/50-60 110027.06	MOTEUR TOURS/MIN 230/50-60 110027.0	MOTOR R.P.M. 230/50-60 110027.06
21	18306	MOTORE R.P.M. 110/115V-50/60 HZ	MOTOR R.P.M. 110/115V-50/60 HZ	MOTEUR TOURS/MIN 110/115V-50/60 HZ	MOTOR R.P.M. 110/115V-50/60 HZ
21	18308	MOTORE R.P.M. 240/50-60 110245.04	MOTOR R.P.M. 240/50-60 M0245.04	MOTEUR TOURS/MIN 240/50-60 M0245.04	MOTOR R.P.M. 240/50-60 M0245.04
22	25687	RACCORDO 3/8X3/8 GAS	3/8X3/8 GAS FITTING	RACCORD 3/8X3/8 GAZ	ANSCHLUSS 3/8X3/8 GAS
23	25732	RACCORDO 3/8X3/8 + SEDE FILTRO	3/8X3/8 FITTING + FILTER HOUSING	RACCORD 3/8X3/8 + LOG. FILTRE	ANSCHLUSS 3/8X3/8 + FILTERSITZ
24	10254	FILTRO ACCIAIO 160-200 MESH	STEEL FILTER 160-200 MESH	FILTRE EN ACIER 160-200 MESH	STAHLFILTER 160-200 MESH
25	10005	ANELLO DI ARRESTO INOX DIN472 D11	DIN472 D11 STAINLESS STEEL STOP RING	ANNEAU DE BUTEE INOX DIN472 D11	DRAHTSPRENGRING ROSTFREI DIN472 D11
26	26302	POMPA PROCON CO 51509L PASSO 3/8GAS	CO 51509L PROCON PUMP, 3/8NPT PITCH	POMPE PROCON CO 51509L PAS 3/8NPT	PUMPE PROCON CO 51509L SCHRITT 3/8N
26	26303	POMPA PO 204 BY PASS ETL	PO 204 BY PASS PUMP ETL	POMPE PO 204 BY PASS ETL	PUMPE PO 204 BY PASS ETL

**CPK**

**INDICE - INDEX - SOMMAIRE - VERZEICHNIS**

**CPK-01**

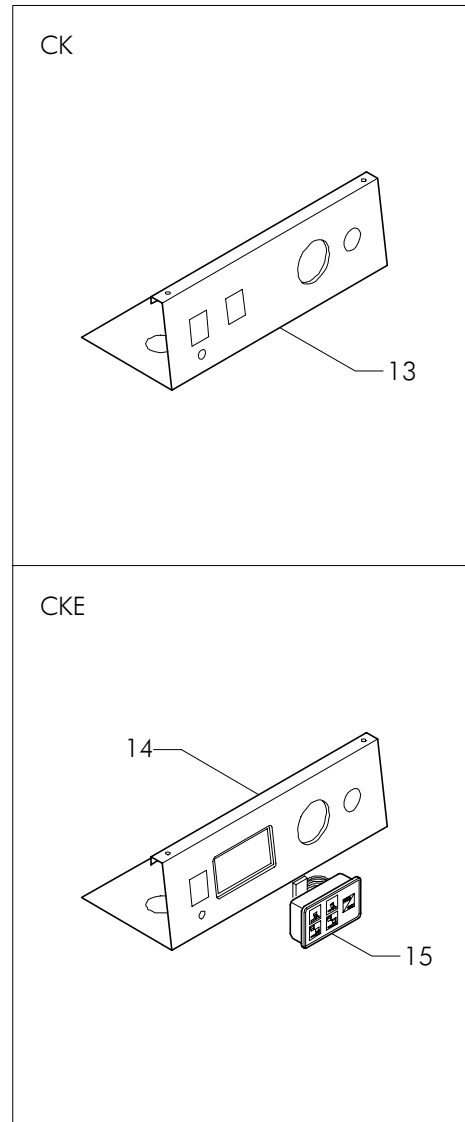
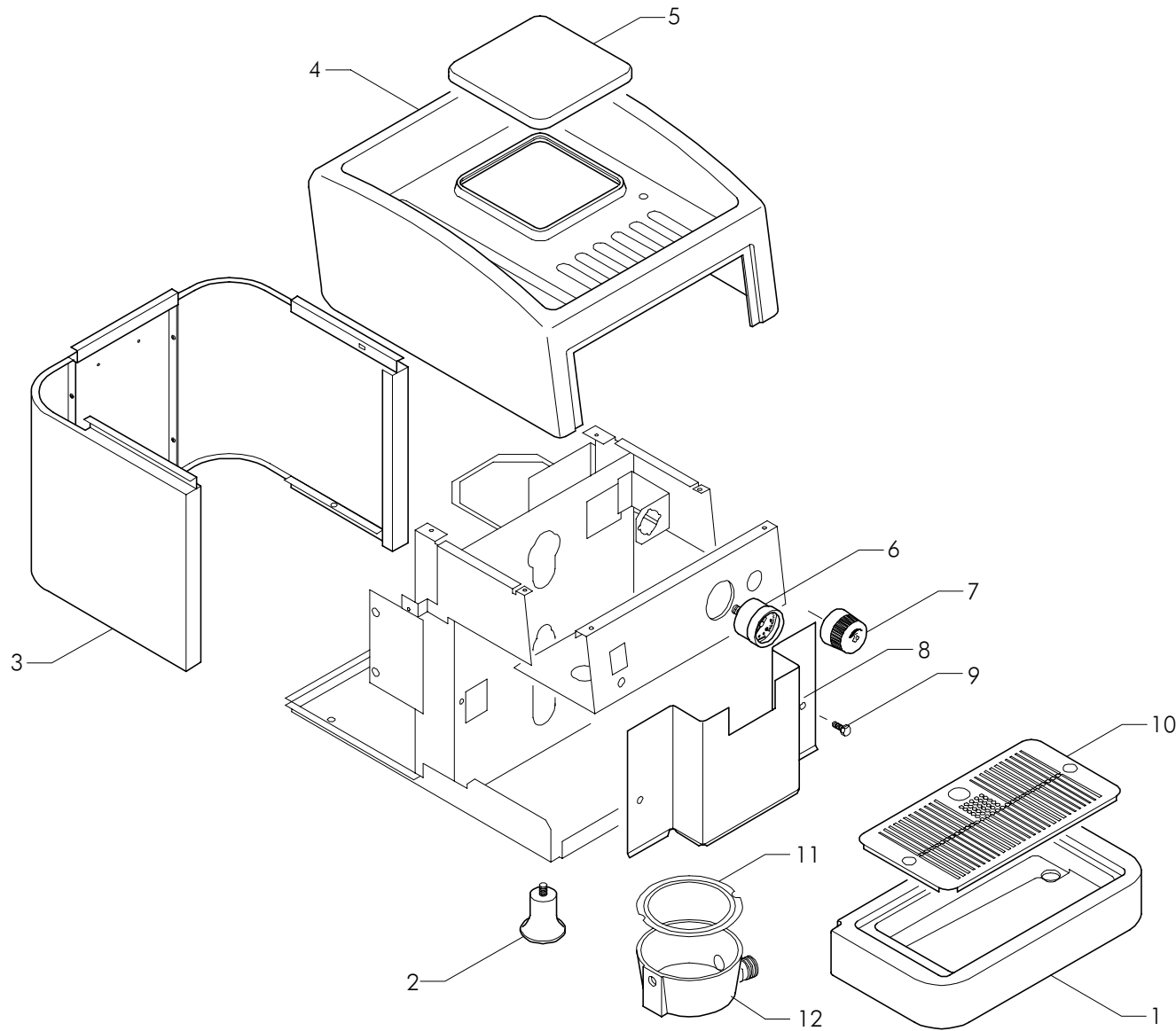
Carrozzeria **CK-CKE** - Body parts **CK-CKE**  
Carosserie **CK-CKE** - Karosserie **CK-CKE**

**CPK-02**

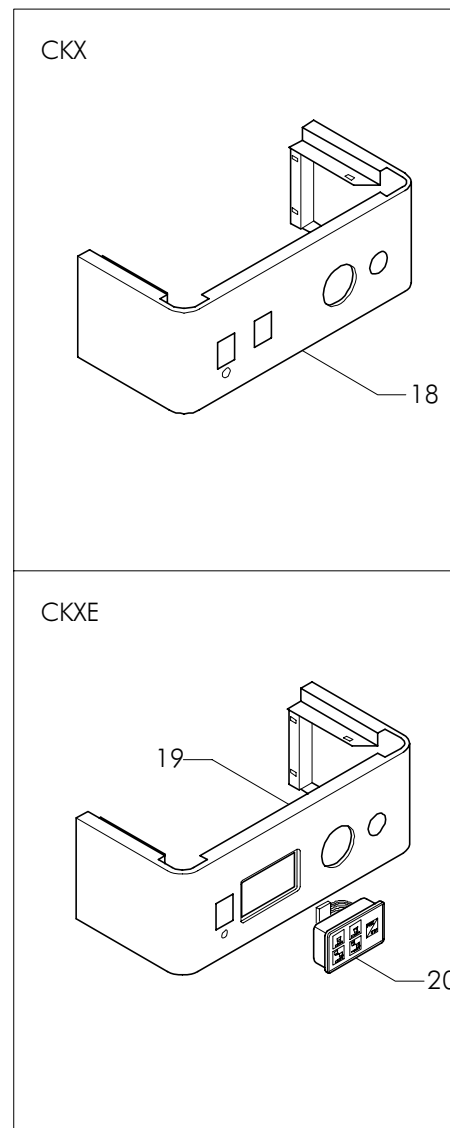
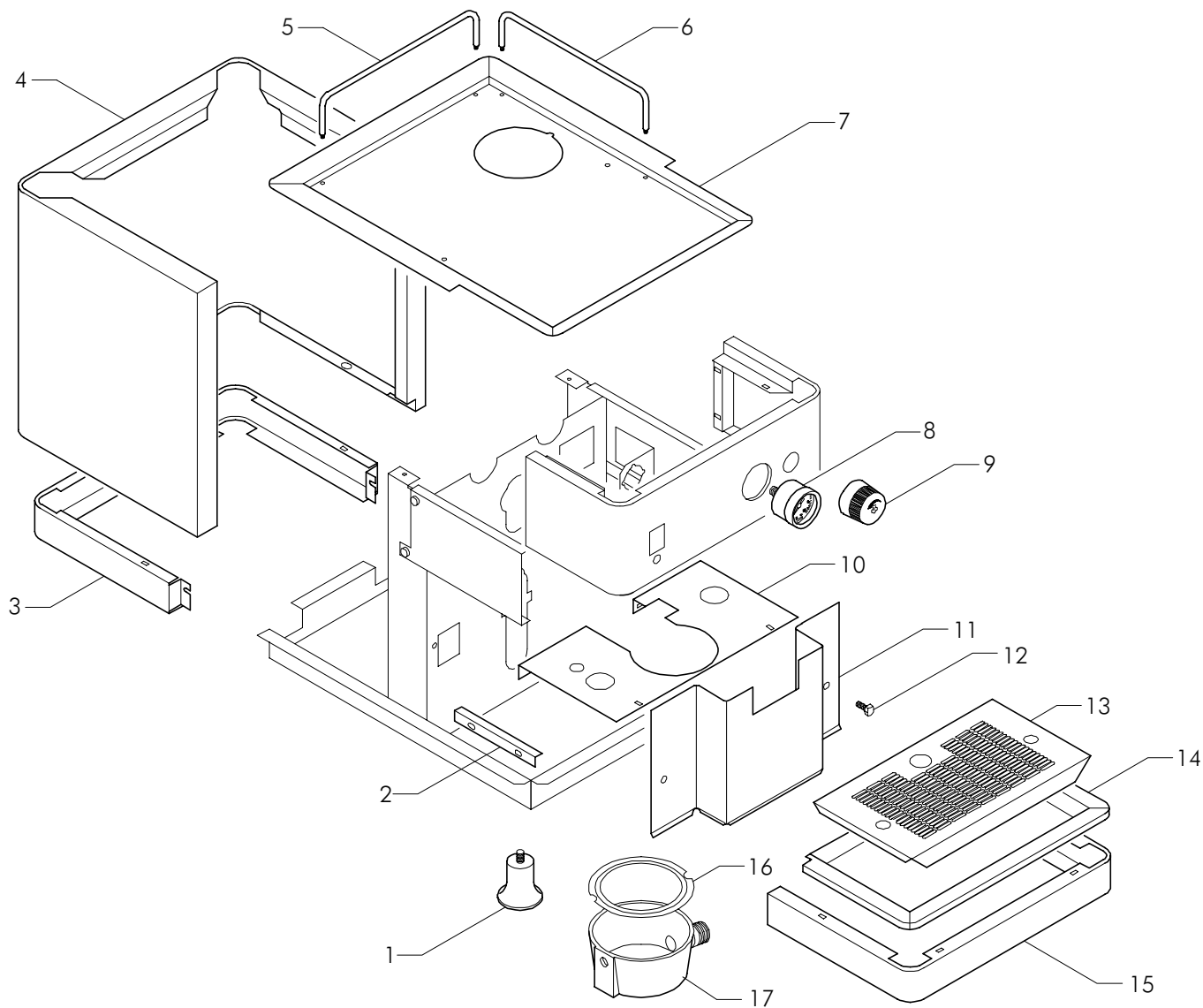
Carrozzeria **CKX-CKXE** - Body parts **CKX-CKXE**  
Carosserie **CKX-CKXE** - Karosserie **CKX-CKXE**

*Carrozzeria*  
*Body parts*  
*Carosserie*  
*Karosserie*

**CK - CKX**



Pos	Cod.	Denominazione - IT -	Denomination - GB -	Denomination - FR -	Denomination - DE -
1	15003	BACINELLA SCARICO PLAST.CIALDE MAN.	PLASTIC DRAIN TRAY MANUAL PODS	CUVE A VIDANGER EN PLASTIQUE	KAFFEETABLETTENAUSLASSCHALE
2	15314001	PIEDINO A VENTOSA	SUCTION CUP FOOT	PIED A VENTOUSE	SAUGNAPFFUSSCHEN
3	56530	PANELLO CARROZZERIA INOX	BODY PANEL S.STEEL	PANNEAU CAROSSERIE INOX	STAHLTAFEL
4	15026	CAPPELLO IN PLASTICA COMPACT	BLACK PLASTIC CAP FOR COMPACT	CHAPEAU PLASTIQUE NOIR	KUNSTOFFDECKEL COMPACT
5	15024	COPRI CONTENITORE H2O NERO	WATER CONTAINER COVER PODS BLACK	COUVRE-RESERVOIR H2O NOIR	BEHALTERDECKEL KAFFEETABLET.SCHWARZ
6	21105	MANOMETRO 2.5 BAR 1/8 D 44 TUV	PRESSURE GAUGE 2.5 BAR 1/8 D44 TUV	MANOMETRE 2.5 BAR 1/8 D44 TUV	MANOMETER 2.5 BAR 1/8 D44 TUV
7	15251	MANOPOLA RUBINETTO VAPORE	BULK UNIT STEAM KNOB	POIGNEE ROBINET VAPEUR	DAMPFHAHNGRIF
8	77876	COPRICALDAIA COMPACT	BOILER COVER COMPACT	COUVRE-CHAUDIERE	KESSELDECKEL COMPACT
9	23420	VITE TE OTTONE M6X12 NICHELATA	M6X12NICKEL-PLATED BRASS HEX.HEAD SCREW	VIS TH LAITON M6X12 NICKELEE	SECHSKANTSCHRAUBE AUS MESSING M6X12
10	76339	GRIGLIA INFERIORE COMPACT INOX/LUC	LOWER GRILL COMPACT S.STEEL	GRILLE INFERIEURE INOX	STAHLGITTER UNTEN FUR COMPACT
11	77799001	FERMO VASCHETTA	STEEL CIRCLIP DRAIN BASIN	CIRCLIP CUVE A VIDANGER	HALTENRING ABFLUSSCHALE
12	15502	VASCHETTA SCARICO ROTONDA D 80	ROUND DRAIN BASIN D.80MM	CUVE A VIDANGER RONDE D.80MM	RUNDE ABFLUSSCHALE D.80MM
13	71757	FRONTALE COMPACT CK	FRONT PANEL COMPACT CK	PANNEAU FRONTAL CK	FRONTBLLENDE COMPACT CK
14	71757001	FRONTONE COMPACT CKE	FRONT PANEL COMPACT CKE	PANNEAU FRONTAL CKE	FRONTBLLENDE COMPACT CKE
15	18371008	PULSANTIERA 5T	TOUCH PAD 5BUTTONS	CLAVIER A TOUCHES 5T	DRUCKKNOPFTAFEL 5T





Pos	Cod.	Denominazione - IT -	Denomination - GB -	Denomination - FR -	Denomination - DE -
1	15314001	PIEDINO A VENTOSA	SUCTION CUP FOOT	PIED A VENTOUSE	SAUGNAPFFUSSCHEN
2	77742100	GUIDA DX-SX BACINELLA	GUIDE FOR TRAY	GUIDAGE CUVE	FUHRUNG SCHALE
3	77235010	PROFILO BASAMENTO POSTERIORE INOX	BACK BASE STRIP S.STEEL	PROFIL BASE POST.INOX	PROFIL BASE HUNTEN STHAL
4	75700100	PANNELLO CARROZZERIA	BODY PANEL	PANNEAU CARROSSERIE	TAFEL
5	77789900	TONDINO FERMATAZZE POSTERIORE	BACK ROUND BAR	FER ROND POST.	RUND HINTEN
6	77789901	TONDINO FERMATAZZE DX/SX	RH-LH ROUND BAR	FER ROND DROIT-GAUCHE	RUND RECHTS/LINKS
7	77235020	COPERCHIO CARROZZERIA	BODY COVER	COUVERCLE CARROSSERIE	KAROSSERIE DECKEL
8	21105	MANOMETRO 2.5 BAR 1/8 D 44 TUV	PRESSURE GAUGE 2.5 BAR 1/8 D44 TUV	MANOMETRE 2.5 BAR 1/8 D44 TUV	MANOMETER 2.5 BAR 1/8 D44 TUV
9	15251	MANOPOLA RUBINETTO VAPORE	BULK UNIT STEAM KNOB	POIGNEE ROBINET VAPEUR	DAMPFAHNGRIFF
10	77297000	COPRIMPIANTO CKX/CKXE	CABLE-COVER CKX/CKXE	COUVRE-CABLAGE CKX/CKXE	VEDRAHTUNHDECKEL CKX/CKXE
11	77876	COPRICALDAIA COMPACT	BOILER COVER COMPACT	COUVRE-CHAUDIERE	KESSELDECKEL COMPACT
12	23420	VITE TE OTTONE M6X12 NICHELATA	M6X12NICKEL-PLATED BRASS HEX.HEAD SCREW	VIS TH LAITON M6X12 NICKEL	SECHSKANTSCHRAUBE AUS MESSING M6X12
13	76339000	GRIGLIA INFERIORE	LOWER GRILL	GRILLE INFERIEURE	GITTER UNTEN
14	76080100	BACINELLA SCARICO	DRAIN TRAY	CUVE A VIDANGER	KAFFEETABLETTENAUSLASSCHALE
15	77235000	PROFILO BASAMENTO ANTERIORE INOX	BLACK BASE PROFILE S.STEEL	PROFIL BASE INOX	BASISPROFIL STAHL
16	77799001	FERMO VASCHETTA	STEEL CIRCLIP DRAIN BASIN	CIRCLIP CUVE A VIDANGER	HALTENRING ABFLUSSCHALE
17	15502	VASCHETTA SCARICO ROTONDA D 80	ROUND DRAIN BASIN D.80MM	CUVE A VIDANGER RONDE D.80MM	RUNDE ABFLUSSCHALE D.80MM
18	71759000	FRONTONE CKX INOX	FRONT PANEL CKX S.STEEL	PANNEAU FRONTAL CKX INOX	FRONTBLLENDE CKX STAHL
19	71759010	FRONTONE CKXE INOX	FRONT PANEL CKXE S.STEEL	PANNEAU FRONTAL CKXE INOX	FRONTBLLENDE CKXE STAHL
20	18371008	PULSANTIERA 5T	TOUCH PAD 5BUTTONS	CLAVIER A TOUCHES 5T	DRUCKKNOPFTAFEL 5T

**RPK**

**INDICE - INDEX - SOMMAIRE - VERZEICHNIS**

**RPK-01**

Rubinetti **ACQUA / VAPORE** - Taps **WATER / STEAM**  
Robinets **EAU / VAPEUR** - **WASSERHAHN / DAMPFHAHN**

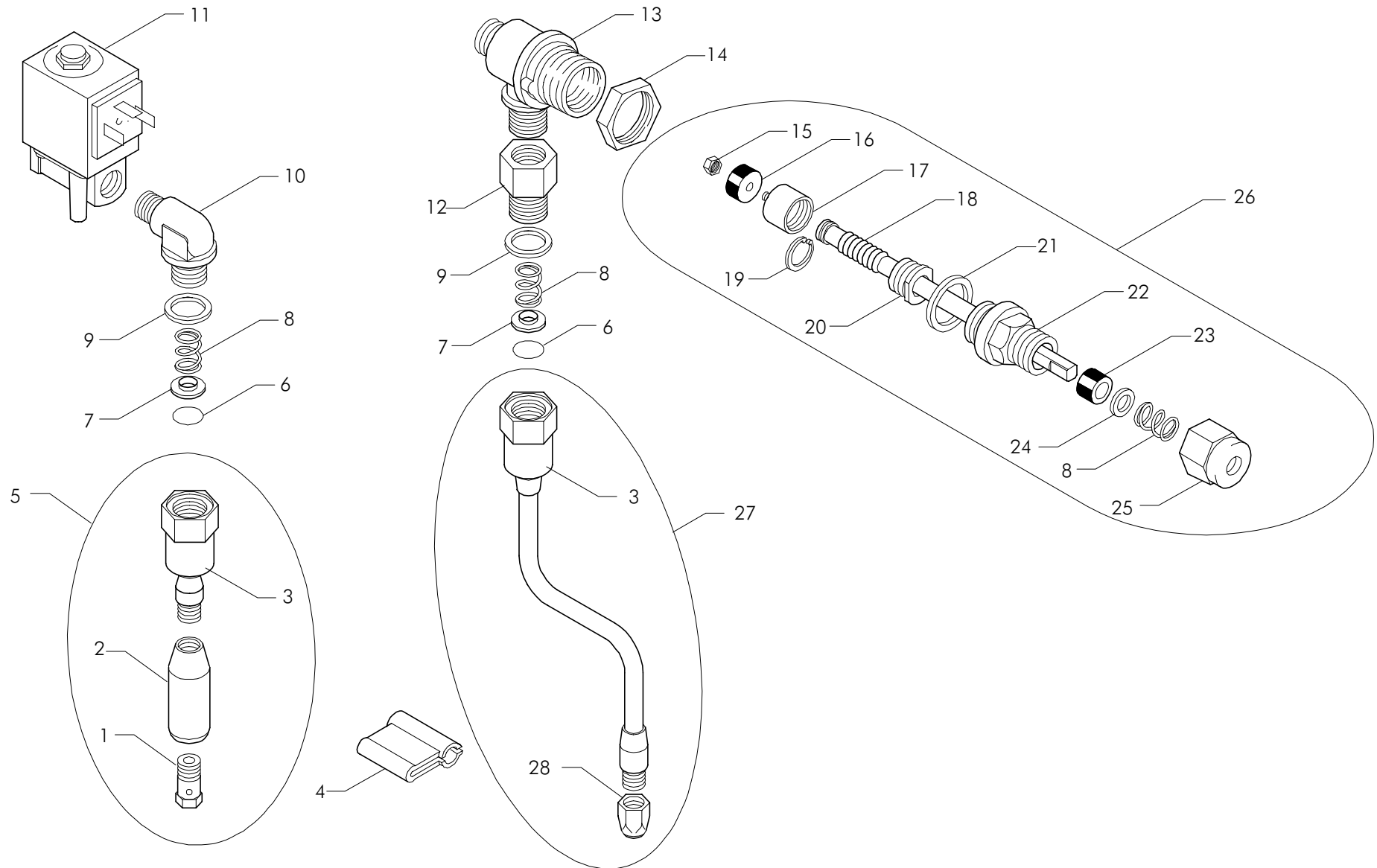
*Rubinetti  
acqua e vapore*

*Water and  
steam taps*

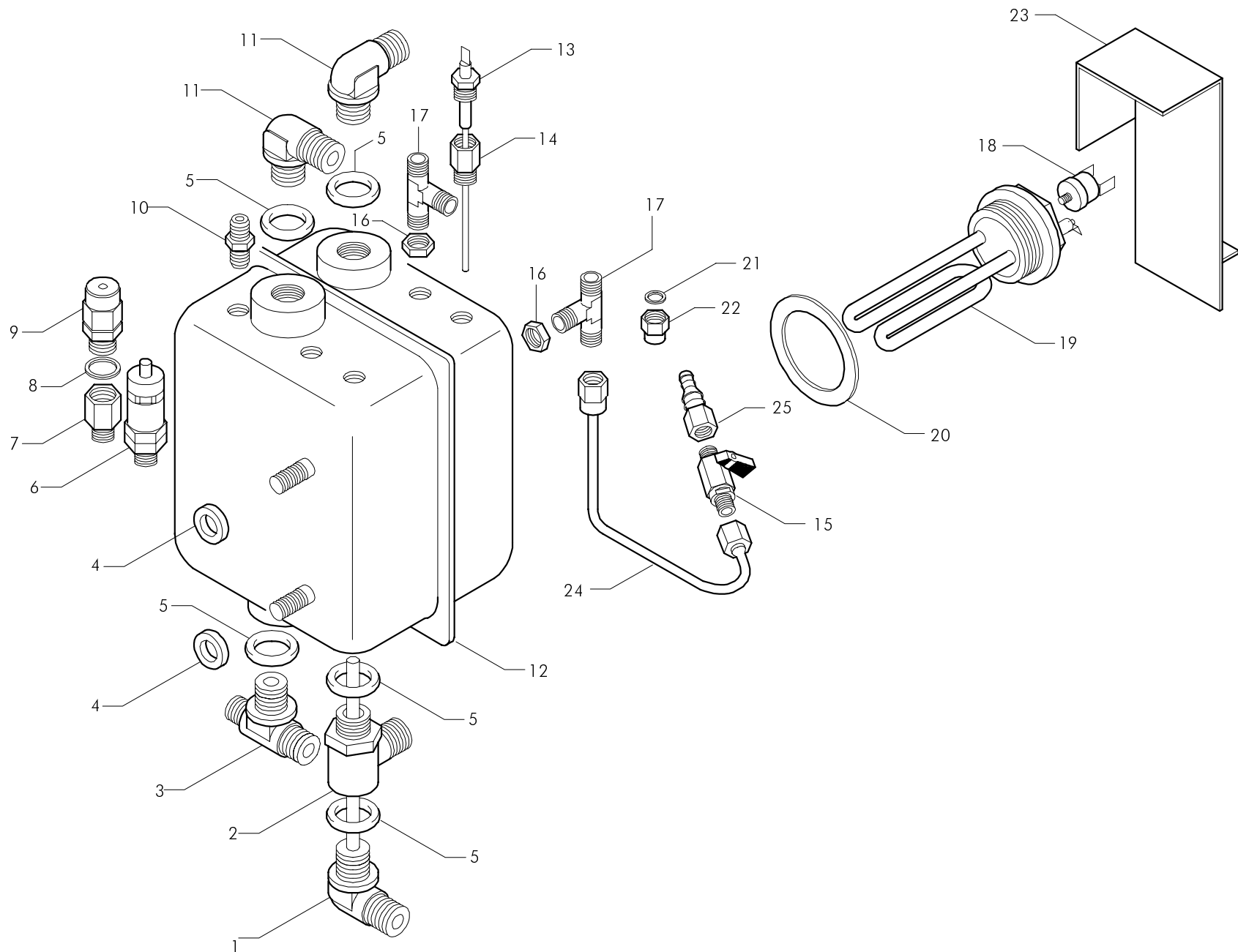
*Robinets eau et  
vapeur*

*Wasser-dampfhahn*

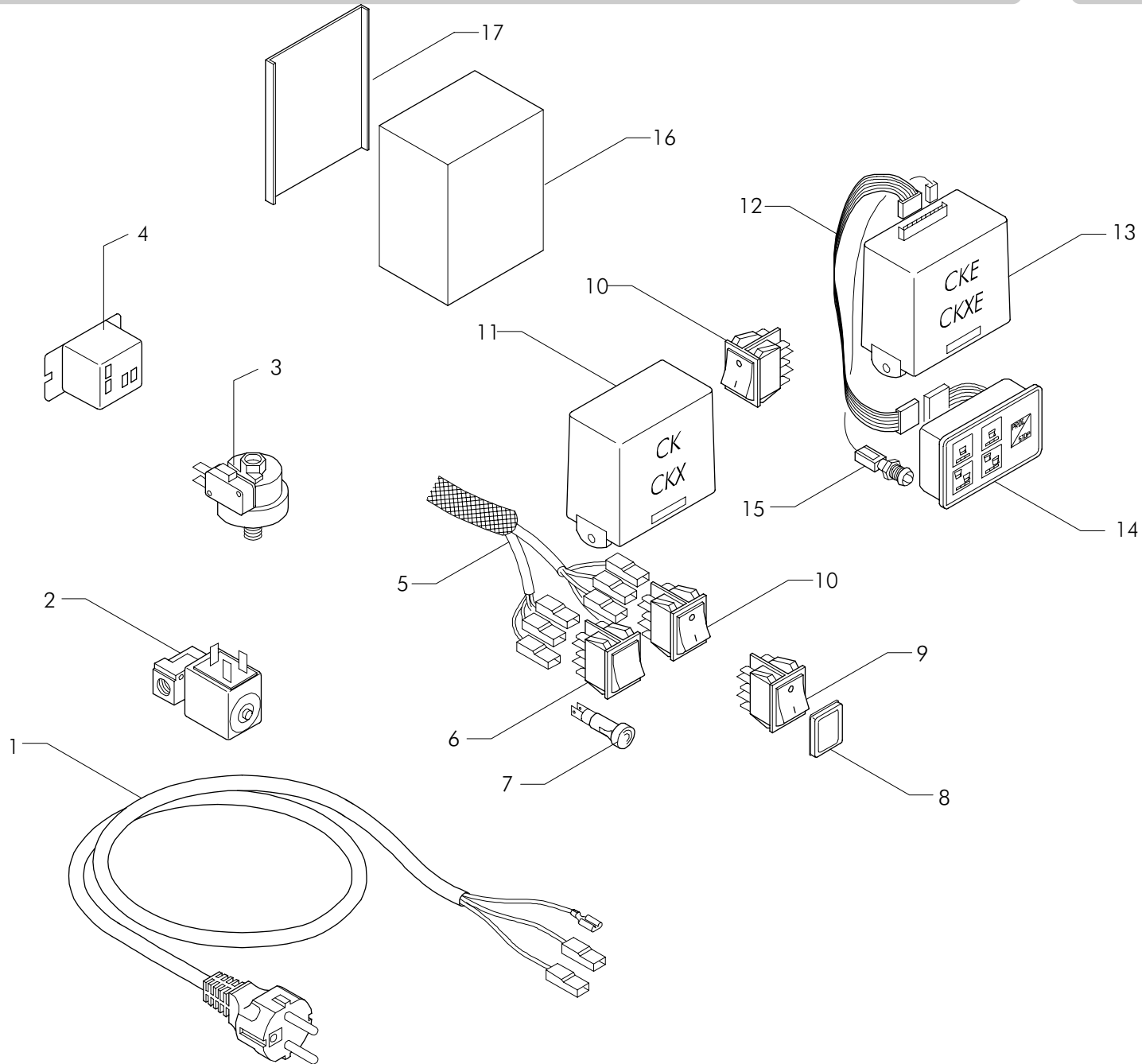
**CK - CKX**



Pos	Cod.	Denominazione - IT -	Denomination - GB -	Denomination - FR -	Denomination - DE -
1	25761	SPRUZZATORE INTERNO H2O	INTERNAL SPRAY H2O	PULVERISATEUR INT. H2O	H2O - INNENSPRITZDÜSE
2	30250	SPRUZZATORE ESTERNO H2O OTT CROMATO	EXTERNAL SPRAYER H2O CHROMIUM PLATE	PULVERISATEUR EXTERNE H2O LAITON CH	AUSSENSPRITZDÜSE H2O MESSING, VERCH
3	25391	DADO CANNA VAP/H2O X MOLLA CROMATO	NUT PIPE WATER/STEAM FOR SPRING	ECROU TUYAU VAPEUR/EAU POUR RESSORT	WASSER/DAMPF ROHRMUTTER FÜR FEDER
4	15295	CLIPS ANTISCOTTATURA NERA	BLACK ANTISCORCHING CLIP	CLIP ANTI-BRULURES NOIRE	VERBRENNUNGSSCHUTZKLIPS
5	56119024	ASSIEME TUBO H2O A 57/CK	WATER TAP UNIT A 57/CK	ENSEMBLE ROBINET EAU	WASSER ROHRSATZ A 57/CK
6	12300	GUARNIZIONE OR 113 NBR/70	O RING GASKET 113 NBR/70	JOINT OR 113 NBR/70	OR-DICHTUNG 113 NBR/70
7	25657	RONDELLA MOLLA VAPORE	STEAM SPRING WASHER	RONDELLE RESSORT VAPEUR	SCHEIBE FÜR DAMPFEDER
8	10452	MOLLA RUBINETTO H2O/VAPORE N4	WATER/STEAM TAP SPRING N4	RESSORT DE ROBINET EAU-VAPEUR N4	WASSER/DAMPF HAHNFEDER N4
9	12010	GUARNIZIONE TEFLON X H2O/VAP 21X17X2	W/S PIPE GASKET TEFLON 21X17X2	JOINT TUYAU TEFLON EAU/VAP TEFLON	TEFLON-DICHTUNG X H2O/VAP 21X17X2 CNN
10	43034	RACCORDO "L" 3/8X1/4 X TUBO H2O/VAP.	ELBOW CONNec.3/8X1/4XH20/STEAM PIPE	RACCORD A COUDE 3/8X1/4 TUYAU H2O	KNIEANSCHLUSSTUCK 3/8X1/4 FÜR H2O/D
11	18161990	ELETTRIVALV.VAPORE 230V VE140DRA.5	VE140DRA.5 ZB09 1/4 230V STEAM	ELECTROVANNE VAPEUR VE14DRA.5 ZB09	ELEKTROVENTIL DAMPF VE140DRA.5 ZB09 1/4
11	18161991	ELETTRIVALV.VAPORE 120V VE140DRA.5	EL.VALVE STEAM 120V VE140DRA ZB09 1/4	ELECTROVANNE VAPEUR 120V ETL	ELEKTROVENTIL DAMPF 120V ETL
12	25691003	RACCORDO PROLUNGA RUBINETTO 3/8M	CONNECTOR TAP 3/8M X 3/8F	RACCORD ROBINET 3/8M X 3/8F	HAHNFITTING 3/8M X 3/8F
13	53003	CORPO RUBINETTO	TAP BODY	CORPS DE ROBINET	HAHNKÖRPER
14	25384	DADO OTTONE M26X1.5	BRASS NUT 26X1.5	ECROU LAITON 26X1.5	MESSING-MUTTER 26X1.5
15	23050	DADO OTTONE M3 UNI 5587	BRASS NUT M3 UNI 5587	ECROU LAITON M3 UNI 5587	MESSING-MUTTER M3 UNI 5587
16	12203	GUARNIZIONE GOMMA 15X4X4	RUBBER GASKET 15X4X4	JOINT EN CAOUTCHOUC 15X4X4	GUMMIDICHTUNG 15X4X4
17	25616	PISTONCINO RUBINETTO	TAP JUMPER	PISTON ROBINET	HAHNKOLBEN
18	25311	ASTA RUBINETTO L109 CROMATA	CHROMED TAP ROD 109L	TIGE ROBINET L109 CHROME	VERCHROMTE HAHNSTANGE L109
19	10001	ANELLO ARRESTO D6 INOX 316 DIN 6799	STEEL CIRCLIP 316 DIN 6799	CIRCLIP INOX 316 DIN 6799	STAHLHALTENRING 316 DIN 6799
20	25461	GHIERA RUBINETTO	TAP RING NUT	EMBOUT ROBINET	HAHNZWINGE
21	12158	GUARNIZIONE CU RUB.26X20.5X2	3/8 22X17X1.5 COPPER SEAL	JOINT CUIVRE 3/8 22X17X1.5	KUPFERDICHTUNG 3/8 22X17X1.5
22	25678001	RACCORDO RUBINETTO	TAP FITTING	RACCORD ROBINET	HAHNANSCHLUSSTUCK
23	12204	GUARNIZIONE GOMMA RUBINETTO H2O/VAP	W/S TAP RUBBER GASKET 12.5X7.5X9	JOINT CAOUTCHOUC ROB. EAU/VAP 12.5	HAHNDICHTUNG W/D 12.5X7.5X9
24	25655	RONDELLA RUBINETTO	TAP WASHER	RONDELLE ROBINET	HAHNSCHEIBE
25	25385	DADO PREMISTOPPA RUBINETTO	TAP STUFFING NUT	ECROU DE PRESSE-ETOUPE ROBINET	STOPFBUCHSE MUTTER - HAHN
26	56102	ASSIEME RUBINETTO H2O/VAPORE	WATER/STEAM TAP UNIT	ENS.ROBINET EAU/VAPEUR	WASSER/DAMPF HAHNSATZ
27	56110	ASSIEME RUBINETTO VAP	STEAM TAP UNIT STEAMER	ENSEMBLE ROBINET VAPEUR	DAMPF ROHRSATZ DAMPF
28	25762	SPRUZZATORE VAPORE CROMATO	STEAM NOZZLE - CHROMED	ATOMISEUR VAPEUR - CHROME'	DAMPFDUSE - CHROM

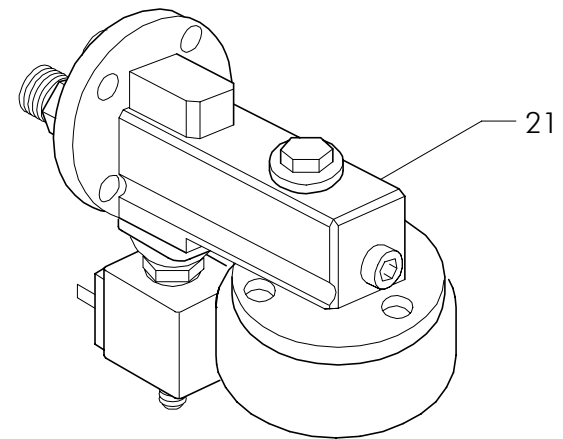
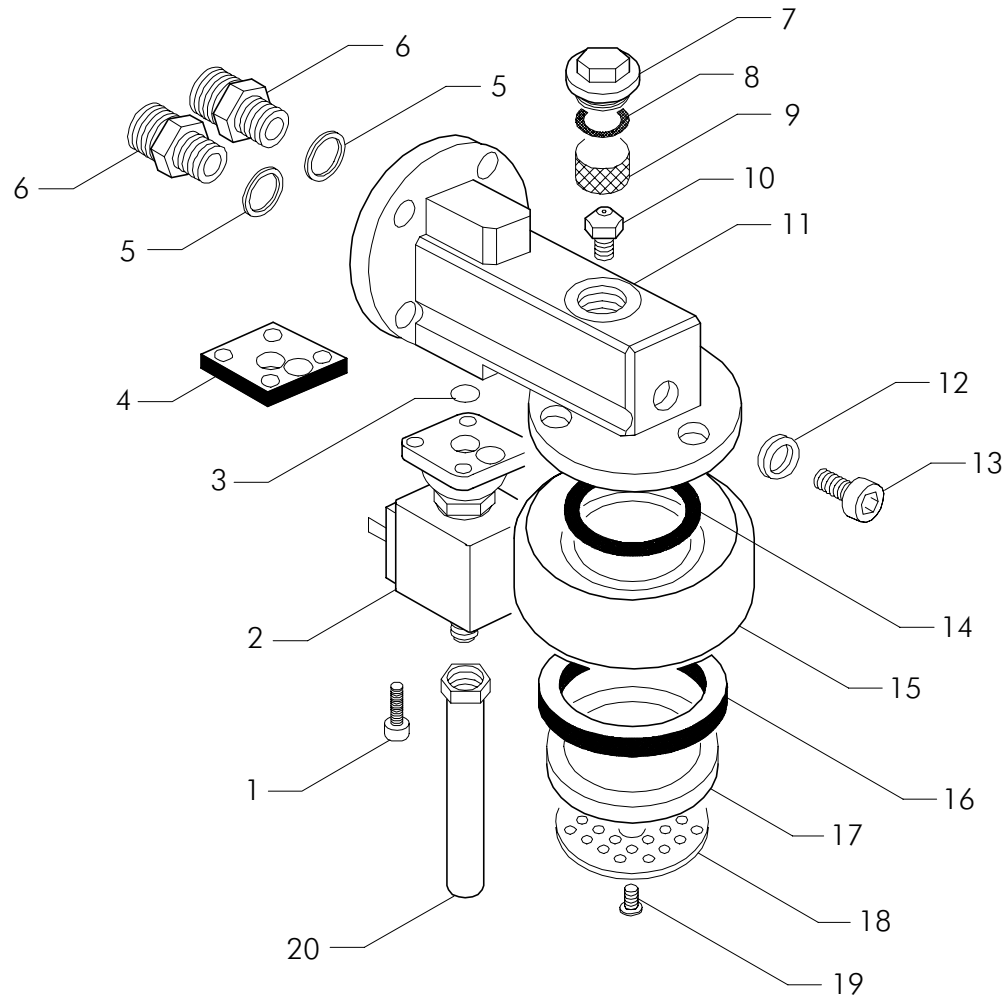


Pos	Cod.	Denominazione - IT -	Denomination - GB -	Denomination - FR -	Denomination - DE -
1	52002012	TBS.D-6 L.100 WE + COMPACT CO	PIPE D-6 L.100	TUYAU D.6 L.100	KANN.D-6 L.100 WE+COMPACT CO 18
2	43020	DISTANZIALE POMPA	PUMP SPACER	ENTRETOISE POMPE	PUMPENENTFERNUNGSSTUCK
3	43033	RACCORDO "T" 3/8X3/8X1/4	3/8X3/8X1/4 T FITTING	RACCORD "T" 3/8X3/8X1/4	ANSCHLUSS 3/8X3/8X1/4 T
4	25770	SPESSORE GRUPPO LEVETTA	LEVER GROUP THICKNESS	EPAISSEUR GROUPE A LEVIER	HEBELGRUPPIGE DICKE
5	12101	GUARNIZIONE CU/ALIM 3/8 22X17X3	3/8 22X17X3 FEEDER/COPPER SEAL	JOINT CUIVRE/ALIM 3/8 22X17X3	KUPFERDICHTUNG/SPEIS. 3/8 22X17X3
6	20357	VALVOLA DI SICUREZZA 1/8 VAP/ COMP	STEAM/COMPACT SAFETY VALVE 1/8	CLAPET DE SURETE 1/8 VAPEUR/COMPACT	DAMPF/COMPACT SICHERHEITSVENTIL 1/8
7	25743	RIDUZIONE 1/4FX1/8M V.A.R.	REDUCTION 1/4FX1/8M V.A.R.	REDUCTION 1/4FX1/8M V.A.R.	REDUKTION 1/4FX1/8M V.A.R.
8	12153	GUARNIZIONE CU 1/4 17X13.3X1.5	1/4 17X13.3X1.5 COPPER SEAL	JOINT CUIVRE 1/4 17X13.3X1.5	KUPFERDICHTUNG 1/4 17X13.3X1.5
9	56150	VALVOLA ANTIRISUCCHIO V.A.R.	ANTI-EDDY VALVE V.A.R.	SOUPAPE ANTI-DEPRESSION V.A.R.	VENTIL UNTERDRUCKFREI V.A.R.
10	23210	RACCORDO DIRITTO D4 1/8X1/8 CON	STRAIGHT FITTING D4 1/8X1/8 CONICAL	RACC. DROIT D4 1/8X1/8 CONIQUE L.5	GERADER ANSCHLUSS D4 1/8X1/8 MIT L.5 110
11	43052	RACCORDO "L" 3/8	CONNECTOR 'L' 3/8	RACCORD 'L' 3/8	ANSCHLUSS 'L' 3/8
12	62601	CALDAIA 2 SCAMBIATORI	BOILER 2 EXCHANGERS	CHAUDIERE 2 ECHANGEURS	KESSEL 2
13	20251	SONDA LIVELLO TL 10/B L125 908600	TL 10/B L125 900000 LEVEL PROBE	JAUGE TL 10/B L125 900000	PEGELFÜHLER TL 10/B L125 900000
14	25742	RIDUZIONE 1/8MX1/8F SON.LIV.COMP.	REDUCTION 1/8MX1/8F	REDUCTION 1/8MX1/8F	REDUKTION 1/8MX1/8F
15	20354	VALVOLA CHIUSURA AEA	PRESSURE RELEASE TAP BULK UNIT	CLAPET FERMETURE AUT.ARRIVEE EAU	ABSPERRVENTIL X AUT.WASSERZUFUHR
16	25395	DADO 1/8 MANOMETRO	1/8 NUT GAUGE	ECROU 1/8 MANOMETRE	MUTTER 1/8 MANOMETER
17	23211	RACCORDO OTT."T" 1/8X1/8X1/8 30006	BRASS CONNECTOR 'T' 1/8X1/8X1/8	RACCORD LAITON "T" 1/8X1/8X1/8	MESSING FITTING "T" 1/8X1/8X1/8
18	20304	TERMOSTATO SAL.RES.145°C V M4X6 RM	SAFETY CUT-OUT 32455 RFJL4U 24G3	CLICSON 32455 RFJL4U 24G3	KLEMME HEIZKORPERSCHUTZ RFJL4U 24G3
19	17200	RESISTENZA MATASSA 1"1/4 120/1200W	HEATING ELEMENT 1"1/4 110V 1200W	RESISTANCE ELEC. 1"1/4 110V 1200W	HEIZKORPER 1"1/4 110V 1200W
19	17201	RESISTENZA MATASSA 1"1/4 230/1300W	HEATING ELEMENT 1"1/4 220V 1300W	RESISTANCE ELEC. 1"1/4 220V 1300W	HEIZKORPER 1"1/4 220V 1300W
19	17202	RESISTENZA MATASSA 1"1/4 240/1300W	HEATING ELEMENT 1"1/4 240V 1300W	RESISTANCE ELEC. 1"1/4 240V 1300W	HEIZKORPER 1"1/4 240V 1300W
20	12001	GUARNIZIONE TEFLON VERGINE	TEFLON GASKET ELEMENT/EXCH. 58X43X2	JOINT TEFLON RESIST/ECHANG. 58X43X2	TEFLON DICHTUNG 58X23X2
21	12012	GUARNIZIONE TEFLON 8.5X4X2	GASKET TEFLON 8.5X4X2	JOINT TEFLON 8.5X4X2	DICHTUNG TEFLON 8.5X4X2
22	25790	TAPPO 1/8 GAS FEMMINA	FEMALE CAP 1/8 GAS	BOUCHON FEMELLE 1/8 GAS	STOPFEN 1/8 GAS
23	776925	COPRI RESISTENZA COMPACT	HEATING ELEMENT COVER	COUVRE-RESISTENCE	HEIZKORPERDECKEL
24	52002055	TUB.D-6 L.170 CO 45 SCARICO CALD.	PIPE D-6 L.170	TUYAU D-6 L.170	ROHR D-6 L.170
25	25622	PORTAGOMMA 1/4 CON X SIC GAS	1/4 CONICAL HOSE CONNECTION FOR GAS	PORTE-TUYAU 1/4 CONIQUE POUR SEC.GAZ	SCHLAUCHHALTER 1/4 MIT X GASSICHERUNG



Pos	Cod.	Denominazione - IT -	Denomination - GB -	Denomination - FR -	Denomination - DE -
1	22030	CAVO H 0.5VV-F 3X1.5+SPINA258 L2500	CABLE H 0.5VV-F 3X1.5 + PLUG 258	CABLE H 0.5VV-F 3X1.5 + FICHE 258	KABEL H 0.5VV-F 3X1.5 + STECKER 258
1	22031	CAVO H 0.5V-V 3X1.5+SPINA USA L2500	CABLE H0.5V-V 3X1.5+PLUG USA L2500	CABLE H0.5V-V 3X1.5+FICHE USA L2500	KABEL H0.5V-V 3X1.5+STECKER USA
2	18162	ELETTROVAL. 230V AEA VE140.2IR VDE/UL	SOL.VALVE WATER REFILL 230V PARKER	ELECTROVANNE REA 230V PARKER	ELEKTROVENTIL AWZ 230V PARKER
2	18195	ELETTROVAL. 120V VE140.2IR VDE/UL PAR	SOLENOID VALVE SCEM 2/2 110V 60HZ	ELECTROVANNE SCEM 2/2 110V 60HZ	MAGNETVENTIL SCEM 2/2 110V 60HZ
3	20155	PRESSOSTATO XP79B921.010 T.1BAR 1/8	PRESSURE SWITCH 1 BAR 1/8 GAS	PRESSOSTAT P79B921.010 1BAR 1/8 GAZ	DRUCKMESSER XP79B921.010 T.1BAR 1/8
4	18460001	RELAIS RESISTENZA 230V AZ2280-1C	RELAY HEAT.ELEMENT 230V	RELAIS RES. 230V AZ2280 - 1C	RELAIS HEIZKORPER 230V
4	18460002	RELAIS RESISTENZA 120V AZ2280-1C	RELAY HEAT.ELEMENT 120V	RELAIS RES.120V AZ2280 - 1C	RELAIS HEIZKORPER 120V
5	22722001	CABLAGGIO COMPACT	WIRING HARNESS	CABLAGE	VERDRAHTUNG VIB.
5	22722002	CABLAGGIO COMPACT SAE VIB.UL	WIRING HARNESS ELECTRONIC MODEL	CABLAGE MOD. ELECTRONIQUE	VERDRAHTUNG COMPACT SAE VIB.
5	22722003	CABLAGGIO COMPACT VIB.UL	WIRING HARNESS UL	CABLAGE UL	VERDRAHTUNG UL
5	22722004	CABLAGGIO COMPACT M.I.	WIRING HARNESS M.I.	CABLAGE M.I.	VERDRAHTUNG M.I.
5	22722005	CABLAGGIO COMPACT SAE M.I. UL	WIRING HARNESS M.I. UL	CABLAGE M.I. UL	VERDRAHTUNG M.I. UL
6	18268	PULSANTE BIPOLARE ROSSO B417B19000000	RED BIPOLAR SWITCH B417B19000000	BOUTON BIP.ROUGE B417B19000000	ZWEIP.ROT DRUCKKNOPF B417B19000000
7	21004	LAMPADA SPIA UL/CSA 110V 3322040171	WARNING LIGHT UL/CSA 110V	LAMPE TEMOIN UL/CSA 110V	KONTROLLAMPE UL/CSA 110V
7	21030	LAMPADA SPIA UL/CSA 250V 3322260179	WARNING LIGHT 250V *UL/CSA*	LAMPE TEMOIN 250V *UL/CSA*	KONTROLLAMPE 250V *UL/CSA*
8	19049	COPERTURA INTERRUETTORE B4	SWITCH COVER B4	PROTECTION INTERRUPTEUR	SCHALTER ABD. B4
9	18260	INTERRUPTORE BIPOLARE LUMINOSO ROSSO	B418C1G210000 LUMINOUS RED BIPOLAR	INTER. BIP. LUMINEUX ROUGE B418C1G210	ZWEIPOLIGER ROTER LEUCHTSCHALTER B418C1
10	18135	DEVIATORE BIP.ROSSO B41LC19210000	RED BIPOLAR SWITCH B41LC19210000	COMMUTATEUR BIP.ROUGE B41LC19210000	UMSCHALTER 2P. ROT B41LC19210000
11	18043	CENTRALINA MFC 2S COMPACT 110V	COMPACT GEARCASE MFC 2S 110V	CENTRALE MFC 2S COMPACT 110V	COMPACT STEUERUNG MFC 2S 110V
11	18045	CENTRALINA MFC 2S COMPACT 220/240V	COMPACT GEARCASE MFC 2S 220/240V	CENTRALE MFC 2S COMPACT 220/240V	STEUERUNG MFC 2S COMPACT 220/240V
12	22608	CAVO PULSANTIERA 2C F. CM90 892909	TOUCH PAD CABLE 2C F.CM80 891857	CABLE CLAVIER A TOUCHES 2C F.CM80	KABEL DER DRUCKKNOPFTAFEL 2CF CM80
13	18043001	CENTRALINA COMPACT SAE 110V	GEARCASE 110V	CENTRALE 110V	STUEGERGEHAUSE SAE 110V
13	18045001	CENTRALINA COMPACT SAE 220/240V	GEARCASE 220/240V	CENTRALE 220/240V	STUEGERGEHAUSE SAE 220/240V
14	18371008	PULSANTIERA 5T	TOUCH PAD 5BUTTONS	CLAVIER A TOUCHES 5T	DRUCKKNOPFTAFEL 5T
15	22623	CAVO LED COMPACT SAE 60CM	LED CABLE ELECTRONIC MODEL 60CM	CAVET LED 60CM	KABEL LED COMPACT SAE 60CM
16	77710001	SCATOLA CENTRALINA	GEARCASE BOX	BOITE POUR CENTRALE	GAHAUSE FUR STEUERUNG
17	77710002	COPERCHIO SCATOLA CENTRALINA	LID GEARCASE BOX	COUVERCLE BOITE POUR CENTRALE	DECKEL GEHAUSE FUR STEUERUNG





Pos	Cod.	Denominazione - IT -	Denomination - GB -	Denomination - FR -	Denomination - DE -
1	23560	VITE TCEI INOX 4X16	SCREW TCCE S.STEEL 4X16	VIS TCCE INOX 4X16	STAHLSCHRAUBE TCCE 4X16
2	18150	ELETTRIVAL. GRUPPO 110V 50-60HZ	GROUP SOLENOID VALVE 110/50-60	ELECTROVANNE GROUPE 110/50-60	GRUPPENMAGNETVENTIL 110/50-60
2	18151	ELETTRIVAL. GRUPPO 220/240V 50-60HZ	GROUP SOLENOID VALVE 220/240 50-60	ELECTROVANNE GROUPE 220/240 50-60	GRUPPENMAGNETVENTIL 220/240 50-60
3	12305	GUARNIZ. OR 105 GR.ELETT.VITON VERDE	O RING SEAL 105 GREEN VITON SOLENOI	JOINT OR 105 GR.ELECT.VITON VERT 70SH	O-RINGDICHT. 105 EKELTR. EINHEIT VITON G
4	12013	GUARNIZ. PTFE LV 2030 ELETTRIVALVOLA	GASKET FOR SOLENOID VALVE GR PTFE	JOINT POUR ELECTROVANNE GR PTFE	MAGNETVENTILDICHT.GR PTFE LV 2030
5	12153	GUARNIZ. CU 1/4 17X13.3X1.5	1/4 17X13.3X1.5 COPPER SEAL	JOINT CUIVRE 1/4 17X13.3X1.5	KUPFERDICHTUNG 1/4 17X13.3X1.5
6	25716001	RACCORDO 3/8X1/4 SEDE TUBO 10	CONNECTOR 3/8X1/4	RACCORD 3/8X1/4	FITTING 3/8X1/4
7	25789	TAPPO GRUPPO EROGAZIONE	DISTRIBUTION GROUP CAP	BOUCHON GROUPE DEBIT	STOPFEN DER ABGABEGRUPPE
8	12303	GUARNIZ. OR 119 VITON TAPPO GRUPPO	CAP O RING GASKET 119	JOINT OR 119 POUR BOUCHON	OR DICHTUNG FUR STOPFEN 119
9	10252	FILTRO PER GRUPPO 10.5X13.5X11	GROUP FILTER 10.5X13.5X11	FILTRE POUR GROUPE 10.5X13.5X11	GRUPPENFILTER 10.5X13.5X11
10	10300	GIGLER OTT. X GRUPPO D 0.8	BRASS GROUP JET D.O.8	GICLEUR LAITON POUR GROUPE D.O.8	VERMESSINGTE GRUPPEDUSE D 0.8
11	25369	CORPO GRUPPO EROGAZIONE COMPACT	DISTRIBUTION GROUP BODY COMPACT	CORPS GROUPE DEBIT COMPACT	KORPER DER COMPACT ABGABEGRUPPE
12	12155	GUARNIZIONE CU 8.5X5X1	COPPER GASKET 8.5X5X1	JOINT CU 8.5X5X1	CU DICHTUNG 8.5X5X1
13	23552	VITE TCEI INOX 5X10	STEEL SCREW TCCE 5X10	VIS INOX TCCE 5X10	STAHLSCHRAUBE TCCE 5X10
14	12304	GUARNIZ. OR 4187 GRUP.ER VITON VERDE	DISTRIBUTION GR. O RING GASKET 4187	JOINT OR4187 GR DEBIT MC/482	OR DICHTUNG FUR AUSGABEGRUPPE 4187
15	25250	ANELLO AGGANCIATORE CROMATO	CHROMED CLAMPING RING	SABOT CHROME	CHROM GRUPPENRING
16	12215	GUARNIZ.GOMMA S.COPPA 72X56X8.5 MAGG	LARGER SIZED FILTER SUPPORT RUBBER	JOINT CAOUTCHOUC SOUCOUBE 72X56X8.5	FILTERHALTER-GUMMIDICHTUNG 72X56X8 GROSS
16	12217	GUARNIZ.GOMMA S.COPPA 72X56X8 NORMAL	STANDARD SIZE FILTER SUPPORT RUBBER	JOINT CAOUTCHOUC SOUCOUBE 72X56X8 N	FILTERHALTER-GUMMIDICHTUNG 72X56X8 NORMA
17	25627	PORTADOCETTA GRUPPO EROGAZIONE	WATER SPOUT UNIT SUPPORT	PORTE-DOUCHETTE GROUPE DISTRIBUTION	DUSCHTRÄGER VERSORGUNGSEINHEIT
18	27100	DOCCETTA GRUPPO ER 51.9	GROUP SHOWER PLATE 51.9	DOUCHETTE GROUPE ER 51.9	DUSCHE VERTEILEREINHEIT 51.9
19	23510	VITE TPS INOX 5X14 TAGLIO CACC.	5X14 STAINLESS STEEL FLATHEAD SCREW	VIS TPS INOX 5X14 DE TOURNEVIS	SCHRAUBE TPS ROSTFREI5X14 SCHRAUBEN
20	52000166	TUB.D-12 OT TAGLIATO L.92 1-4GR	CUT BRASS TUBE D-12 1-4 GR	TUYAU COUPE D-12 1-4 GR	ROHR D-12 MESSING GESCHNITTEN L.92 1-4GR
21	56055	GRUPPO SCAMBIATORE PASS. 230/50-60	UNIT DISTRIBUTION GROUP 230/50-60	ENSEMBLE GROUPE 230/50-60	SATZ-ABGABEGRUPPE 230/50-60
21	56056	GRUPPO SCAMBIATORE PASS. 110/60	UNIT DISTRIBUTION GROUP 110/60	ENSEMBLE GROUPE 110/60	SATZ-ABGABEGRUPPE 110/60

**ICK**

**INDICE - INDEX - SOMMAIRE - VERZEICHNIS**

**ICK-01**

Impianto idraulico - Hydraulic circuit  
Circuit hydraulique - Wasser-anlage

**CK - CKX**

**ICK-02**

Impianto idraulico - Hydraulic circuit  
Circuit hydraulique - Wasser-anlage

**CKE - CKXE**

**ICK-03**

**CONTENITORE ACQUA - WATER TRAY  
CUVE EAU - WASSERBEHALTER**

*Impianto  
idraulico*

*Hydraulic  
circuit*

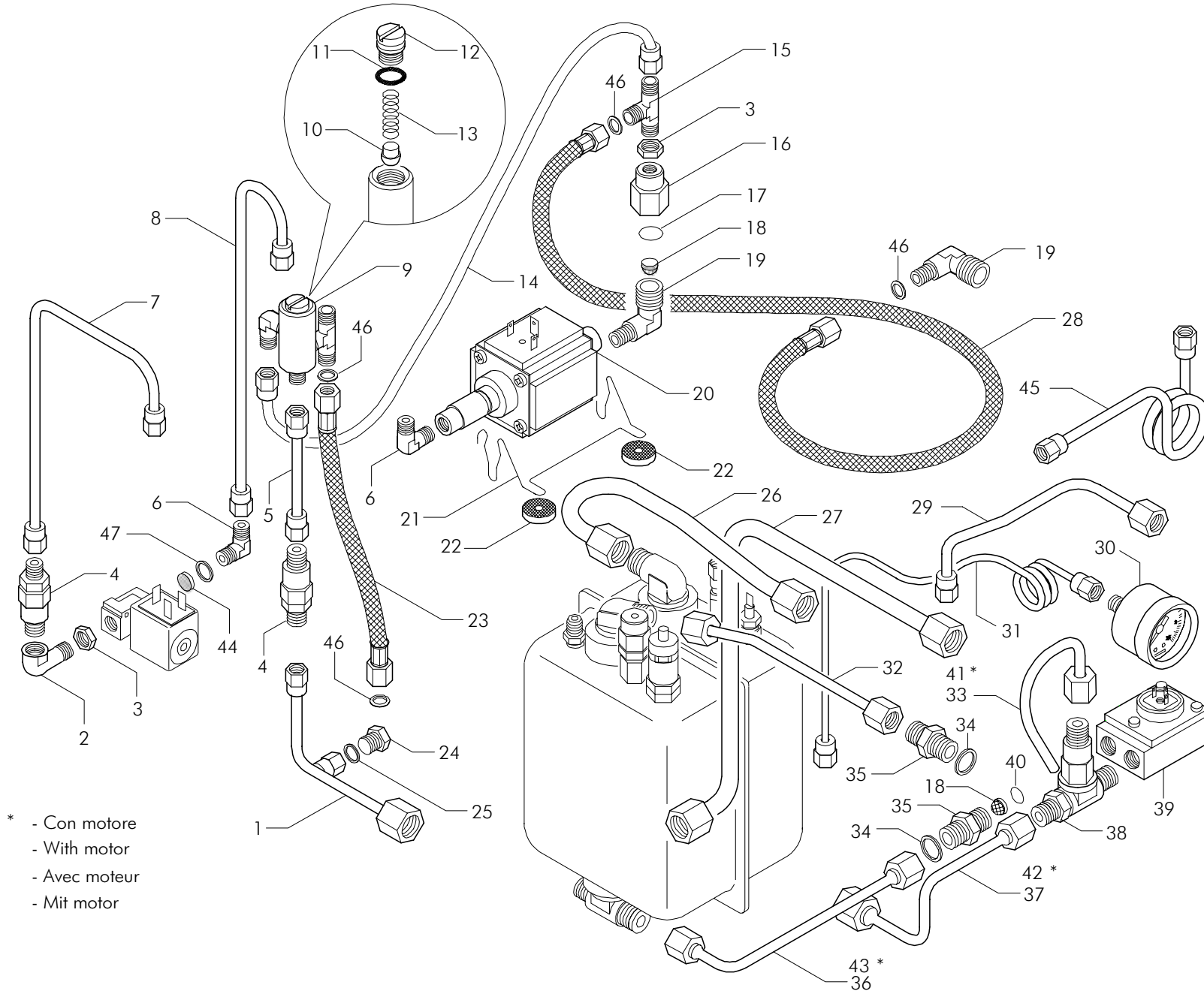
*Circuit  
hydraulique*

*Wasser-anlage*

**CK - CKX**

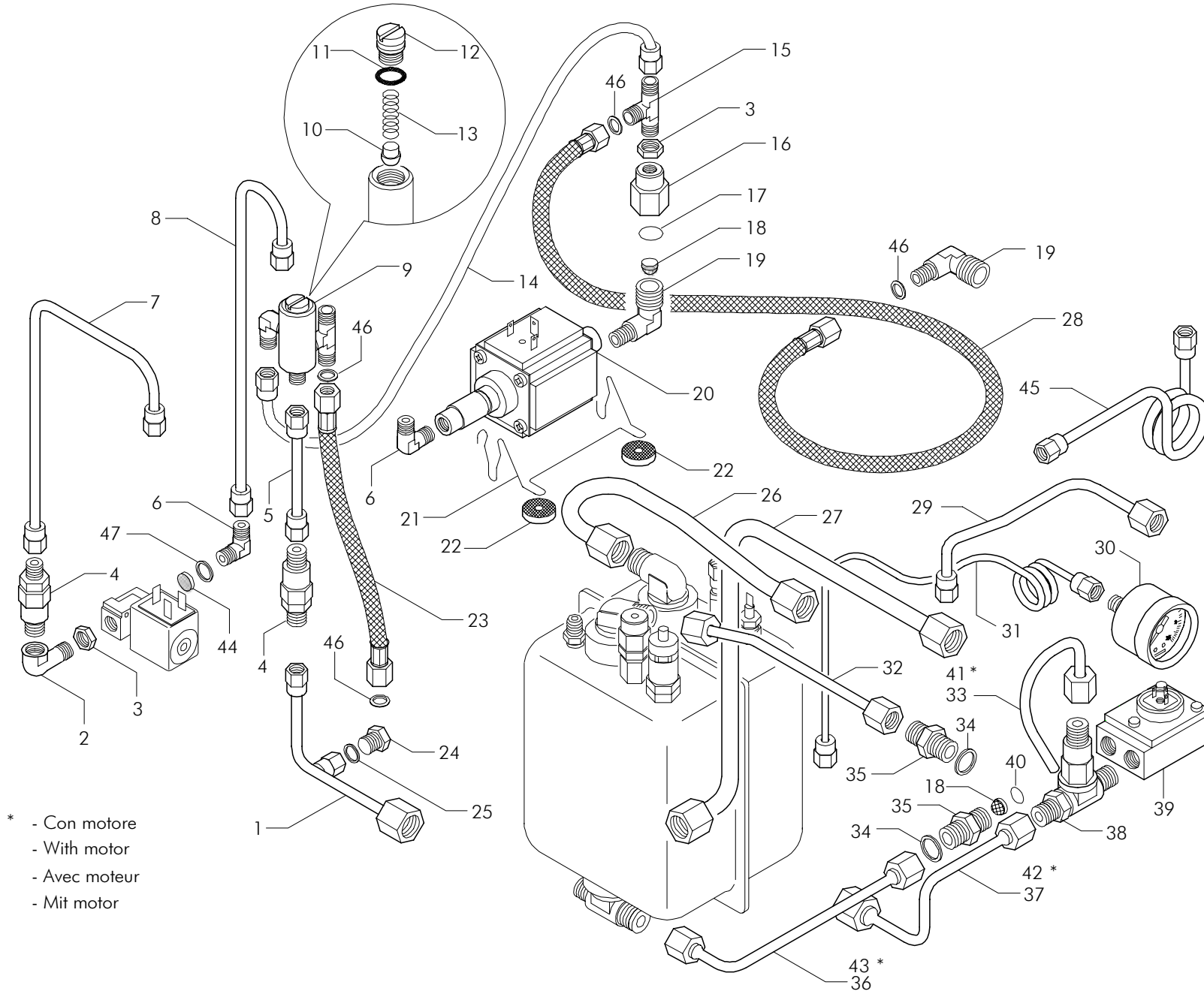


Pos	Cod.	Denominazione - IT -	Denomination - GB -	Denomination - FR -	Denomination - DE -
1	52002004	TBS.D-6 L.130 WE + COMPACT CO 21	PIPE D-6 L.130	TUYAU D.6 L.130	KANN. D-6 L.130 WE+COMPACT CO 21
2	23212	RACCORDO OTT.GOM.1/8FEMMX1/8M COMPACT	ELBOW BRASS CONNECTOR 1/8FX1/8M	RACCORD COUDE LAITON 1/8FX1/8M	MESSING-ANSCHLUSS 1/8X1/8M
3	25395	DADO 1/8 MANOMETRO	1/8 NUT GAUGE	ECROU 1/8 MANOMETRE	MUTTER 1/8 MANOMETER
4	20358	VALVOLA NON RITORNO 1/8-1/8 MASCHIO	NON-RETURN VALVE 1/8 - 1/8 MALE	CLAPET ANTI-RETOUR 1/8 - 1/8 MALE	RUCKSCHLAGVENTIL 1/8-1/8
5	52002029	TUB.D-6 L.70 CO31V.N.R.	PIPE D-6 L.70	TUYAU D.6 L.70	KANN. D-6 L.70 COMPACT CO 31
6	23207	RACCORDO OTT.GOM.D4 1/8X1/8 CON	ELBOW BRASS CONNECTOR D4 1/8X1/8	RACCORD COUDE LAITON D4 1/8X1/8	MESSING-ANSCHLUSS D4 1/8X1/8
7	52002027	TUB.D-6 L.295 CO29EV.AEA	PIPE D-6 L.295	TUYAU D.6 L.295	KANN. D-6 L.295 COMPACT CO 29
8	52002042	TUB.D-6 L.280 COMPACT CO38VALV.ESP.	PIPE D-6 L.280	TUYAU D.6 L.280	KANN. D-6 L.280 COMPACT CO 38
9	56210	VALVOLA ESPANSIONE POMPA 2R	PUMP EXPANSION VALVE	VALVE EXPANSION POMPE	EXPANSIONSVENTIL DER PUMPE
10	12600	FUNGHETTO GOMMA VALVOLA	VALVE RUBBER HEAD	TETE GOMME SOUPEPE	GUMMIVENTILKNOPF
11	12320	GUARNIZ. OR 112 DI9.93X2.62 NBR SH 75	O RING 112 DI9.93X2.62 NBR SH 75	JOINT OR 112 DI9.93X2.62 NBR SH 75	OR DICHTUNG 112 DI9.93X2.62 NBR 75
12	25786	TAPPO VALVOLA ESPANS. POMPA COMPACT	PUMP EXPANSION VALVE CAP	BOUCHON SOUPEPE EXP. POMPE COMPACT	STOPFEN FUR PUMPENEXPANSIONSVENTIL
13	10470	MOLLA VALVOLA ESPANSIONE COMPACT	COMPACT EXPANSION VALVE SPRING	RESSORT CLAPET EXPANSION COMPACT	COMPACT EXPANSIONSVENTILFEDER
14	52002861	TUB.D-6 L.330 S.NOVA TEFLON WSN/6	TUBE D-6 L.370 TEFLON WSN/6	TUBE D-G L.370 S. NOVA TEFLON	ROHR D-G L. 370 S.NOVA TEFLON WSN/G
15	23211	RACCORDO OTT."T" 1/8X1/8X1/8 30006	BRASS CONNECTOR 'T' 1/8X1/8X1/8	RACCORD LAITON "T" 1/8X1/8X1/8	MESSING FITTING "T" 1/8X1/8X1/8
16	25744	RIDUZIONE 1/8FX3/8F V.N.R.	REDUCTION 1/8FX3/8F	REDUCTION 1/8FX3/8F	REDUKTION 1/8FX3/8F
17	12312	GUARNIZIONE OR FILTRO AEA 10X2	O RING FOR WATER REFILL FILTER 10X2	JOINT OR FILTRE AUT.REM.EAU 10X2	OR DICHTUNG FUR WASSERFULLUNGFILTER
18	10254	FILTRO ACCIAIO 160-200 MESH	STEEL FILTER 160-200 MESH	FILTRE EN ACIER 160-200 MESH	STAHLFILTER 160-200 MESH
19	23206	RACCORDO GOM.D10 3/8X1/8CON F3	ELBOW BRASS CONNECTOR D10 3/8X1/8	RACCORD COUDE LAITON D10 3/8X1/8	MESSING FITTING D10 3/8X1/8
20	26304	POMPA FLUID VIB.220/240V 1106PAILM1N	FLUIDOTEC VIBRATION PUMP 220/240V	POMPE VIBRATION FLUIDOTEC 220/240V	VIBRATIONS PumPE FLUIDOTEC 220/240V
20	26310	POMPA FLUID.VIB.110V 1106PAIFM1N	FLUIDOTEC VIBRATION PUMP 110V	POMPE VIBRATION FLUIDOTEC 110V	VIBRATIONS PumPE FLUIDOTEC 110V
21	26306	SUPPORTO FISSO POMPA VIBRAZIONE	FIXING BEARING VIBRATION PUMP	SUPPORT POMPE VIBRATION	HALTER DER VIBRATIONS PumPE
22	15313	PIEDINI NEOPRENE 20X4.5 ART.15151	NEOPRENE LEG 20X4.5	PIED NEOPRENE 20X4.5	NEOPRENEFUSSE 20X4.5
23	30400	TUBOFLEX 1/8FF P.GOMMA PIA. L37 NI	TUBOFLEX 1/8FF RUBBER-HOLDER L37	TUBOFLEX 1/8FF PORTE-GOMME L37	TUBOFLEX 1/8FF GUMMI-HALTER L37
24	56200	VALVOLA ESPANSIONE COMPACT 1R	COMPACT EXPANSION VALVE	VALVE EXPANSION COMPACT	COMPACT EXPANSIONSVENTIL
25	52002026	TBS.D-10 L.235 CO28SCAMBIATORE SUP.	PIPE D-10 L.235	TUYAU D.10 L.235	KANN. D-10 L.235 COMPACT CO 28
26	52002025	TBS.D-10 L.410 CO27SCAMBIATORE INF.	PIPE D-10 L.410	TUYAU D.10 L.410	KANN. D-10 L.410 COMPACT CO 27
27	30406	TUBOFLEX 1/8FF P.GOMMA PIA. L100 NI	TUBOFLEX 1/8FF RUBBER-HOLDER L100	TUBOFLEX 1/8FF PORTE-GOMME L100	TUBOFLEX 1/8FFGUMMI-HALTER L100
28	52002049	TBS.D-6 L.210 CO 40 RACC."T" 1/8	PIPE D-6 L.210	TUYAU D-6 L.210	KANN. D-6 L.210
29	21105	MANOMETRO 2.5 BAR 1/8 D 44 TUV	PRESSURE GAUGE 2.5 BAR 1/8 D44 TUV	MANOMETRE 2.5 BAR 1/8 D44 TUV	MANOMETER 2.5 BAR 1/8 D44 TUV
30	52002043	TUB.D-4 L.570 CO39CALDAIA	PIPE D-4 L.570	TUYAU D.4 L.570	KANN. D-4 L.570 COMPACT CO 39
31	52002031	TBS.D-6 L.90 CO33CALDAIA	PIPE D-6 L.90	TUYAU D.6 L.90	KANN. D-6 L.90 COMPACT CO 33
32	25686	RACCORDO 1/4X1/4 FLANGIA	CONNECTOR 1/4 X 1/4 FLANGE	RACCORD 1/4 X 1/4 BRIDE	ANSCHLUSS 1/4X1/4 FLANSCH
33	12153	GUARNIZIONE CU 1/4 17X13.3X1.5	1/4 17X13.3X1.5 COPPER SEAL	JOINT CUIVRE 1/4 17X13.3X1.5	KUPFERDICHTUNG 1/4 17X13.3X1.5
34	52002030	TBS.D-6 L.125 CO32 SCAMBIATORE H2O	TUBE D-6 L.125 CO 32	TUYAU D-6 L.125 CO 32	ROHR D-6 L.125 CO 32
35	52002050	TUB.D-4 L.700 CO 41 RACC."T" 1/8	PIPE D-4 L.700	TUYAU D-4 L.700	KANN. D-4 L.700
36	15476	TUBO SILICONE 5X8 KGXMT 0.044	5X8 SILICONE PIPE	TUYAU SILICONE 5X8 KGXMT 0.04	SILIKONROHR 5X8 KGXMT 0.044
37	12012	GUARNIZIONE TEFLON 8.5X4X2	GASKET TEFLON 8.5X4X2	JOINT TEFLON 8.5X4X2	DICHTUNG TEFLON 8.5X4X2
38	12155	GUARNIZIONE CU 8.5X5X1	COPPER GASKET 8.5X5X1	JOINT CU 8.5X5X1	CU DICHTUNG 8.5X5X1
39	10251001	FILTRO IN ACCIAIO D-8 SP.0,3	STEEL FILTER D-8 - 0.3 THICK	FILTRE EN ACIER D-8 EP.0,3	STAHLFILTER D-8 SP.0,3



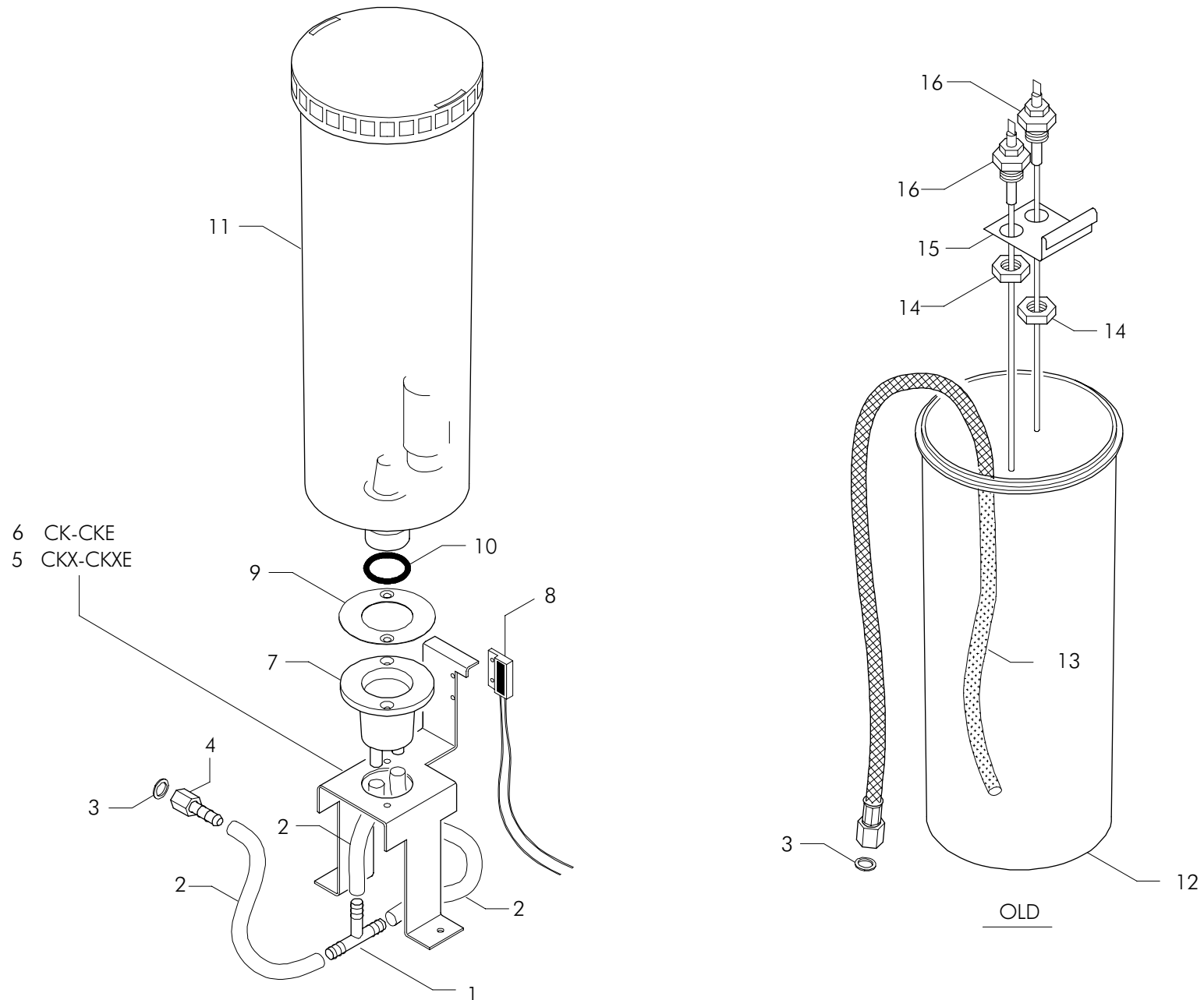
\* - Con motore  
 - With motor  
 - Avec moteur  
 - Mit motor

Pos	Cod.	Denominazione - IT -	Denomination - GB -	Denomination - FR -	Denomination - DE -
1	52002004	TBS.D-6 L.130 WE + COMPACT CO 21	PIPE D-6 L.130	TUYAU D.6 L.130	KANN. D-6 L.130 WE+COMPACT CO 21
2	23212	RACCORDO OTT.GOM.1/8FEMMX1/8M	ELBOW BRASS CONNECTOR 1/8FX1/8M	RACCORD COUDE LAITON 1/8FX1/8M	MESSING-ANSCHLUSS 1/8X1/8M
3	25395	DADO 1/8 MANOMETRO	1/8 NUT GAUGE	ECROU 1/8 MANOMETRE	MUTTER 1/8 MANOMETER
4	20358	VALVOLA NON RITORNO 1/8-1/8 MASCHIO	NON-RETURN VALVE 1/8 - 1/8 MALE	CLAPET ANTI-RETOUR 1/8 - 1/8 MALE	RUCKSCHLAGVENTIL 1/8-1/8
5	52002029	TUB.D-6 L.70 CO31V.N.R.	PIPE D-6 L.70	TUYAU D.6 L.70	KANN. D-6 L.70 COMPACT CO 31
6	23207	RACCORDO OTT.GOM.D4 1/8X1/8 CON	ELBOW BRASS CONNECTOR D4 1/8X1/8	RACCORD COUDE LAITON D4 1/8X1/8	MESSING-ANSCHLUSS D4 1/8X1/8
7	52002027	TUB.D-6 L.295 CO29EV.AEA	PIPE D-6 L.295	TUYAU D.6 L.295	KANN. D-6 L.295 COMPACT CO 29
8	52002042	TUB.D-6 L.280 COMPACT CO38VALV.ESP.	PIPE D-6 L.280	TUYAU D.6 L.280	KANN. D-6 L.280 COMPACT CO 38
9	56210	VALVOLA ESPANSIONE POMPA 2R	PUMP EXPANSION VALVE	VALVE EXPANSION POMPE	EXPANSIONSVENTIL DER PUMPE
10	12600	FUNGHETTO GOMMA VALVOLA	VALVE RUBBER HEAD	TETE GOMME SOUPAPE	GUMMIVENTILKNOPF
11	12320	GUARNIZ.OR 112 DI9.93X2.62 NBR SH 75	O RING 112 DI9.93X2.62 NBR SH 75	JOINT OR 112 DI9.93X2.62 NBR SH 75	OR DICHTUNG 112 DI9.93X2.62 NBR 75
12	25786	TAPPO VALVOLA ESPANS. POMPA COMPACT	PUMP EXPANSION VALVE CAP	BOUCHON SOUPAPE EXP. POMPE COMPACT	STOPFEN FUR PUMPENEXPANSIONSVENTIL
13	10470	MOLLA VALVOLA ESPANSIONE COMPACT	COMPACT EXPANSION VALVE SPRING	RESSORT CLAPET EXPANSION COMPACT	COMPACT EXPANSIONSVENTILFEDER
14	52002861	TUB.D-6 L.330 S.NOVA TEFLON WSN/6	TUBE D-6 L.370 TEFLON WSN/6	TUBE D-G L.370 S. NOVA TEFLON	ROHR D-G L. 370 S.NOVA TEFLON WSN/G
15	23211	RACCORDO OTT."T" 1/8X1/8X1/8 30006	BRASS CONNECTOR 'T' 1/8X1/8X1/8	RACCORD LAITON "T" 1/8X1/8X1/8	MESSING FITTING "T" 1/8X1/8X1/8
16	25744	RIDUZIONE 1/8FX3/8F V.N.R.	REDUCTION 1/8FX3/8F	REDUCTION 1/8FX3/8F	REDUKTION 1/8FX3/8F
17	12312	GUARNIZIONE OR FILTRO AEA 10X2	O RING FOR WATER REFILL FILTER 10X2	JOINT OR FILTRE AUT.REM.EAU 10X2	OR DICHTUNG FUR WASSERFULLUNGFILTER
18	10254	FILTRO ACCIAIO 160-200 MESH	STEEL FILTER 160-200 MESH	FILTRE EN ACIER 160-200 MESH	STAHLFILTER 160-200 MESH
19	23206	RACCORDO GOM.D10 3/8X1/8CON F3	ELBOW BRASS CONNECTOR D10 3/8X1/8	RACCORD COUDE LAITON D10 3/8X1/8	MESSING FITTING D10 3/8X1/8
20	26304	POMPA FLUID VIB.220/240V 1106PAILM1N	FLUIDOTEC VIBRATION PUMP 220/240V	POMPE VIBRATION FLUIDOTEC 220/240V	VIBRATIONS Pumpe FLUIDOTEC 220/240V
20	26310	POMPA FLUID.VIB.110V 1106PAIFM1N	FLUIDOTEC VIBRATION PUMP 110V	POMPE VIBRATION FLUIDOTEC 110V	VIBRATIONS Pumpe FLUIDOTEC 110V
21	26306	SUPPORTO FISSO POMPA VIBRAZIONE	FIXING BEARING VIBRATION PUMP	SUPPORT POMPE VIBRATION	HALTER DER VIBRATIONS Pumpe
22	15313	PIEDINI NEOPRENE 20X4.5 ART.15151	NEOPRENE LEG 20X4.5	PIED NEOPRENE 20X4.5	NEOPRENEFUSSE 20X4.5
23	30400	TUBOFLEX 1/8FF P.GOMMA PIA. L37 NI	TUBOFLEX 1/8FF RUBBER-HOLDER L37	TUBOFLEX 1/8FF PORTE-GOMME L37	TUBOFLEX 1/8FF GUMMI-HALTER L37
24	25787	TAPPO MASCHIO 1/8	MALE CAP 1/8	BOUCHON MALE 1/8	STOPFEN 1/8
25	12151	GUARNIZIONE CU DOSATORE 13X10.2X1.5	CU GASKET FOR SAE DOSER 13X10.2X1.5	JOINT CU DE DOSEUR SAE 13X10.2X1.5	CU DICHTUNG FUR SAE DOSIERANLAGE
26	52002026	TBS.D-10 L.235 CO28SCAMBIATORE SUP.	PIPE D-10 L.235	TUYAU D.10 L.235	KANN. D-10 L.235 COMPACT CO 28
27	52002025	TBS.D-10 L.410 CO27SCAMBIATORE INF.	PIPE D-10 L.410	TUYAU D.10 L.410	KANN. D-10 L.410 COMPACT CO 27
28	30406	TUBOFLEX 1/8FF P.GOMMA PIA. L100 NI	TUBOFLEX 1/8FF RUBBER-HOLDER L100	TUBOFLEX 1/8FF PORTE-GOMME L100	TUBOFLEX 1/8FFGUMMI-HALTER L100
29	52002049	TBS.D-6 L.210 CO 40 RACC."T" 1/8	PIPE D-6 L.210	TUYAU D-6 L.210	KANN. D-6 L.210
30	21105	MANOMETRO 2.5 BAR 1/8 D 44 TUV	PRESSURE GAUGE 2.5 BAR 1/8 D44 TUV	MANOMETRE 2.5 BAR 1/8 D44 TUV	MANOMETER 2.5 BAR 1/8 D44 TUV
31	52002043	TUB.D-4 L.570 CO39CALDAIA	PIPE D-4 L.570	TUYAU D.4 L.570	KANN. D-4 L.570 COMPACT CO 39
32	52002031	TBS.D-6 L.90 CO33CALDAIA	PIPE D-6 L.90	TUYAU D.6 L.90	KANN. D-6 L.90 COMPACT CO 33
33	52002041	TUB.D-6 L.140 CO37VALVOLA SCNR	PIPE D-6 L.140	TUYAU D.6 L.140	KANN. D-6 L.140 COMPACT CO 37
34	12153	GUARNIZIONE CU 1/4 17X13.3X1.5	1/4 17X13.3X1.5 COPPER SEAL	JOINT CUIVRE 1/4 17X13.3X1.5	KUPFERDICHTUNG 1/4 17X13.3X1.5
35	25686	RACCORDO 1/4X1/4 FLANGIA	CONNECTOR 1/4 X 1/4 FLANGE	RACCORD 1/4 X 1/4 BRIDE	ANSCHLUSS 1/4X1/4 FLANSCH
36	52002039	TBS.D-6 L.155 CO35SCAMBIATORE H2O	PIPE D-6 L.155	TUYAU D.6 L.155	KANN. D-6 L.155 COMPACT CO 35

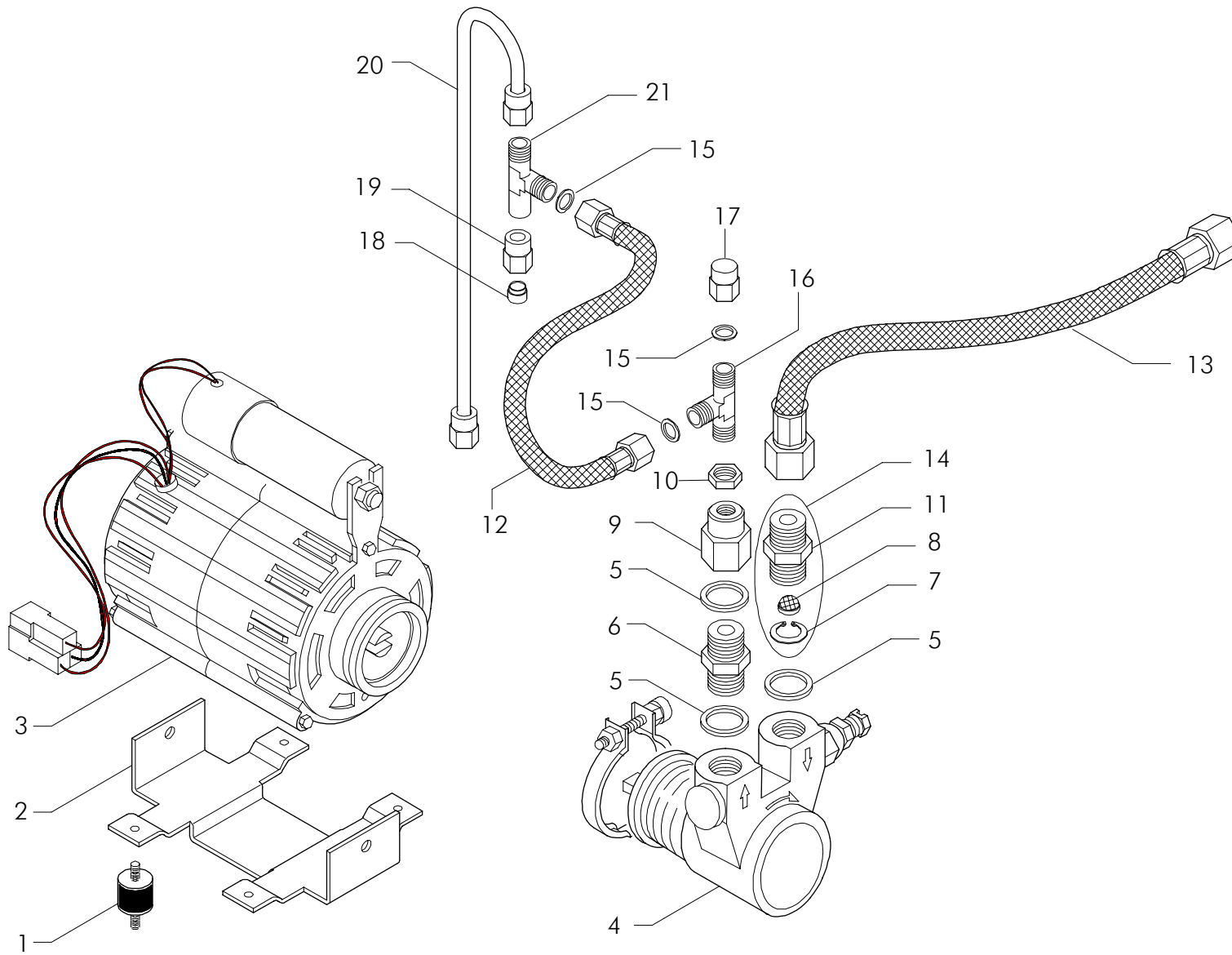




Pos	Cod.	Denominazione - IT -	Denomination - GB -	Denomination - FR -	Denomination - DE -
37	<b>52002040</b>	TBS.D-6 L.135 C036VALVOLA SCNR	PIPE D-6 L.135	TUYAU D.6 L.135	KANN. D-6 L.135 COMPACT CO 36
38	<b>56153</b>	VALVOLA DOSATORE S.C.N.R.	S.C.N.R. DOSER VALVE	VANNE DOSEUR S.C.N.R.	DOSIERERVENTIL S.C.N.R.
39	<b>18126</b>	DOSATORE FLOWMETER FH 12 909602	FH 12 907613 FLOWMETER DOSER	DOSEUR FLOWMETER FH 12 907613	DOSIERER FLOWMETER FH 12 907613
40	<b>12329</b>	GUARNIZ.OR 2031 VITON 7.66XW1.78 H2O	O RING 2031 VITON 7.66XW1.78	JOINT OR 2031 VITON 7.66X1.78	OR DICHTUNG 2031 VITON 7.66XW1.78
41	<b>52002054</b>	TUB.D-6 L.130 CO 44 S.C.N.R.	TUBE D-6 L.130 CO 44	TUYAU D-6 L.130 CO 44	ROHR D-6 L.130 CO 44
42	<b>52002057</b>	TBS.D-6 L.310 CO 47 S.C.N.R.	TUBE D-6 L.310 CO 47	TUYAU D-6 L.310 CO 47	ROHR D-6 L.310 CO 47
43	<b>52002056</b>	TBS.D-6 L.285 CO 46 SCAMBIATORE	TUBE D-6 L.285 CO 46	TUYAU D-6 L.285 CO 46	ROHR D-6 L.285 CO 46
44	<b>10251001</b>	FILTRO IN ACCIAIO D-8 SP.0,3	STEEL FILTER D-8 - 0.3 THICK	FILTRE EN ACIER D-8 EP.0,3	STAHLFILTER D-8 SP.0,3
45	<b>52002050</b>	TUB.D-4 L.700 CO 41 RACC."T" 1/8	PIPE D-4 L.700	TUYAU D-4 L.700	KANN. D-4 L.700
46	<b>12012</b>	GUARNIZIONE TEFLON 8.5X4X2	GASKET TEFLON 8.5X4X2	JOINT TEFLON 8.5X4X2	DICHTUNG TEFLON 8.5X4X2
47	<b>12155</b>	GUARNIZIONE CU 8.5X5X1	COPPER GASKET 8.5X5X1	JOINT CU 8.5X5X1	CU DICHTUNG 8.5X5X1



Pos	Cod.	Denominazione - IT -	Denomination - GB -	Denomination - FR -	Denomination - DE -
1	<b>15422004</b>	RACCORDO "T" POLIPROPILENE D-8	POLYPROPYLENE T CONNECTOR D-8	RACCORD T D-8 POLYPROPYLENE	T-ANSCHLUSS D-8 POLYPROPYLEN
2	<b>15476</b>	TUBO SILICONE 5X8 KGXMT 0.044	5X8 SILICONE PIPE	TUYAU SILICONE 5X8 KGXMT 0.04	SILIKONROHR 5X8 KGXMT 0.044
3	<b>12012</b>	GUARNIZIONE TEFLON 8.5X4X2	GASKET TEFLON 8.5X4X2	JOINT TEFLON 8.5X4X2	DICHTUNG TEFLON 8.5X4X2
4	<b>23065</b>	DADO + PORTAGOMMA 1/8	NUT + 1/8 HOSE CONNECTION	ECROU + PORTE-CAOUTCHOUC 1/8	MUTTER + GUMMIHALTER 1/8
5	<b>78077000</b>	SUPPORTO CONTENITORE H2O	WATER TRAY SUPPORT	SUPPORT CUVE EAU	WASSERBEHALTER LAGER
6	<b>78077002</b>	SUPPORTO CONTENITORE H2O ESTRAIBILE	WATER TRAY SUPPORT	SUPPORT CUVE EAU	WASSERBEHALTER LAGER
7	<b>15514102</b>	ATTACCO CONTENITORE ACQUA	WATER TRAY CONNECTION	ATTELAGE CUVE EAU	WASSERBEHALTER ANSCHLUB
8	<b>18255000</b>	SENSORE MAGNETICO REED	REED SWITCH	CAPTEUR MAGNETIQUE	MAGNETFUHLER
9	<b>77607025</b>	RINFORZO ATTACCO CONTENITORE	REINFORCEMENT WATER TRAY CONNECTION	RENFORT ATTELAGE CUVE EAU	VERSTAEKUNG WASSERBEHALTER ANSCHLUB
10	<b>12300021</b>	GUARNIZIONE OR SERBATOIO ESTRAIBILE	GASKET O RING	JOINT OR	DICHTUNG OR
11	<b>15514101</b>	CONTENITORE ACQUA COMPLETO	FULL WATER TRAY	CUVE EAU COMPLET	WASSERBEHALTER
12	<b>15020</b>	CONTENITORE H2O COMPACT 1000152	COMPACT WATER TRAY 1000152	CUVE EAU COMPACT 1000152	COMPACT WASSERBEHALTER 1000152
13	<b>15457</b>	TUBO RETINATO BLU 1RACC.FF1/8 L=85	BLUE WIRED HOSE 1FIT. FF1/8 L=85	TUYAU GRILLE BLEU 1RAC. FF1/8 L=85	BLAUER RASTERROHR FF1/8 L=85
14	<b>25396</b>	DADO 1/4 SP.4	NUT 1/4 - 4 THICK	ECROU 1/4 SP.4	MUTTER 1/4
15	<b>77582</b>	SUPPORTO 3FORI SONDA COMPACT SAT	SUPPORT 3 HOLES COMPACT PROBE 70X40	SUPPORT 3 TROUS SONDE COMPACT 70X40	HALTER 3 LOCHER COMPACT SONDE 70X40
16	<b>20252</b>	SONDA LIVELLO COMPACT L255 908652	COMPACT WATER LEVEL PROBE L255	SONDE AUT.ENTREE D'EAU COMPACT L255	COMPACT SONDE A.W.F. L255



Motopompa - Motor pump  
Motopompe - Motor pump

**CK - CKX**

**MOT-03**

rev. 00  
05/2002

Pos	Cod.	Denominazione - IT -	Denomination - GB -	Denomination - FR -	Denomination - DE -
1	15105	GOMMA AMMORTIZZATORE MOTORE RAF.H2O	RUBBER FOR WATER COOLED MOTOR ZEC.	CAOUTCHOUC POUR MOTEUR REFROID.EAU	GUMMI X WASSERGEKÜHLTER MOTOR ZEC.
2	78174001	SUPPORTO MOTORE INC. RPM	MOTOR SUPPORT	SUPPORT MOTEUR	EINGEBAUTER MOTORHALTER
3	18303	MOTORE R.P.M. 230V 120W	MOTOR R.P.M. 230V 120W	MOTEUR R.P.M. 230V 120W	MOTOR R.P.M. 230V 120W
3	18304	MOTORE R.P.M. 110V 120W	MOTOR R.P.M. 110V 120W	MOTEUR R.P.M. 110V 120W	MOTOR R.P.M. 110V 120W
4	26303002	POMPA FLUID-O-TECH 50LT/H P0054	FLUID-O-TECH PUMP	POMPE FLUID-O-TECH 50 LT/H P005	PUMPE FLUID-O-TECH
5	12154	GUARNIZIONE CU 3/8 22X17X1.5	3/8 22X17X1.5 COPPER SEAL	JOINT CUIVRE 3/8 22X17X1.5	KUPFERDICHTUNG 3/8 22X17X1.5
6	25687	RACCORDO 3/8X3/8 GAS	3/8X3/8 GAS FITTING	RACCORD 3/8X3/8 GAZ	ANSCHLUSS 3/8X3/8 GAS
7	10005	ANELLO DI ARRESTO INOX DIN472 D11	DIN472 D11 STAINLESS STEEL STOP RING	ANNEAU DE BUTEE INOX DIN472 D11	DRAHTSPRENGRING ROSTFREI DIN472 D11
8	10254	FILTRO ACCIAIO 160-200 MESH	STEEL FILTER 160-200 MESH	FILTRE EN ACIER 160-200 MESH	STAHLFILTER 160-200 MESH
9	25744	RIDUZIONE 1/8FX3/8F V.N.R.	REDUCTION 1/8FX3/8F	REDUCTION 1/8FX3/8F	REDUKTION 1/8FX3/8F
10	25395	DADO 1/8 MANOMETRO	1/8 NUT GAUGE	ECROU 1/8 MANOMETRE	MUTTER 1/8 MANOMETER
11	25732	RACCORDO 3/8X3/8 + SEDE FILTRO	3/8X3/8 FITTING + FILTER HOUSING	RACCORD 3/8X3/8 + LOG. FILTRE	ANSCHLUSS 3/8X3/8 + FILTERSITZ
12	30405	TUBOFLEX 1/8FF P.GOMMA PIA. L19 NI	TUBOFLEX 1/8FF RUBBER-HOLDER L19	TUBOFLEX 1/8FF PORTE-TUYAU L19	TUBOFLEX 1/8FF GUMMI-HALTER L19
13	30408	TUBOFLEX 3/8FF P.GOMMA CON. L150 NI	3/8 FEMALE FLEX PIPE CONICAL HOSE F	TUYAU FLEX 3/8 FF PORTE-TUYAU	SCHLAUCH 3/8 AUFNAHMETÜR GUMMI KONI
14	56116	RACCORDO 3/8+3/8 MOTO POMPA ASSIEME	CONNECTOR 3/8+3/8 PUMP ASSEMBLY	RACCORD 3/8 + 3/8 ENS. MOTO POMP	ANSCHLUSS 3/8 + 3/8 MOTORP. ZUSAMMEN
15	12012	GUARNIZIONE TEFLON 8.5X4X2	GASKET TEFLON 8.5X4X2	JOINT TEFLON 8.5X4X2	DICHTUNG TEFLON 8.5X4X2
16	23211	RACCORDO OTT."T" 1/8X1/8X1/8 30006	BRASS CONNECTOR 'T' 1/8X1/8X1/8	RACCORD LAITON "T" 1/8X1/8X1/8	MESSING FITTING "T" 1/8X1/8X1/8
17	25790	TAPPO 1/8 GAS FEMMINA	FEMALE CAP 1/8 GAS	BOUCHON FEMELLE 1/8 GAS	STOPFEN 1/8 GAS
18	25800	TERMINALE D6	TERMINAL D6	BORNE D6	ENDVERSCHLUSS D6
19	25701	RACC.MANOMETRO 1/8 FORO 6	MANOMETER CONNECTOR 1/8 HOLE 6	RACCORD MANOMETRE 1/8 TROU 6	MANOMETERFITTING 1/8 LOCH 6
20	52002053	TUB.D-6 L.200 CO 43 RACC."T" ORIENT.	TUBE D-6 L.200	TUYAU D-6 L.200	ROHR D-6 L.200
21	23195	RACCORDO OTT."T" ORIENT. S03600	BRASS FITTING 'T' S03600-A-6-6	RACCORD LAITON 'T' S03600-A-6-6	MESSING FITTING 'T' S03600-A-6-6

CK - CKX