

WAREWASHING



Hood-type Dishwasher

ECOMAX 604/614
ECOMAX PLUS 615



Spare Parts Catalogue

EN

Note

For other electrical components or voltages, refer to the wiring diagram shipped with the machine.

Legend

-  Recommended spare parts
-  Wearing parts

Publisher

HOBART GmbH
Robert-Bosch-Str. 17
77656 Offenburg

Tel +49(0)781.600-0
Fax +49(0)781.600-23 19

E-Mail: info@hobart.de
Internet: www.hobart.de

Product disclaimer

Installations and repairs carried out by non-authorized technicians or using non-genuine spare parts, and any technical alterations to the machine not approved by the manufacturer will invalidate the manufacturer's warranty and product liability.

HOBART reserves the right to make changes or improvements to its products without prior notice.

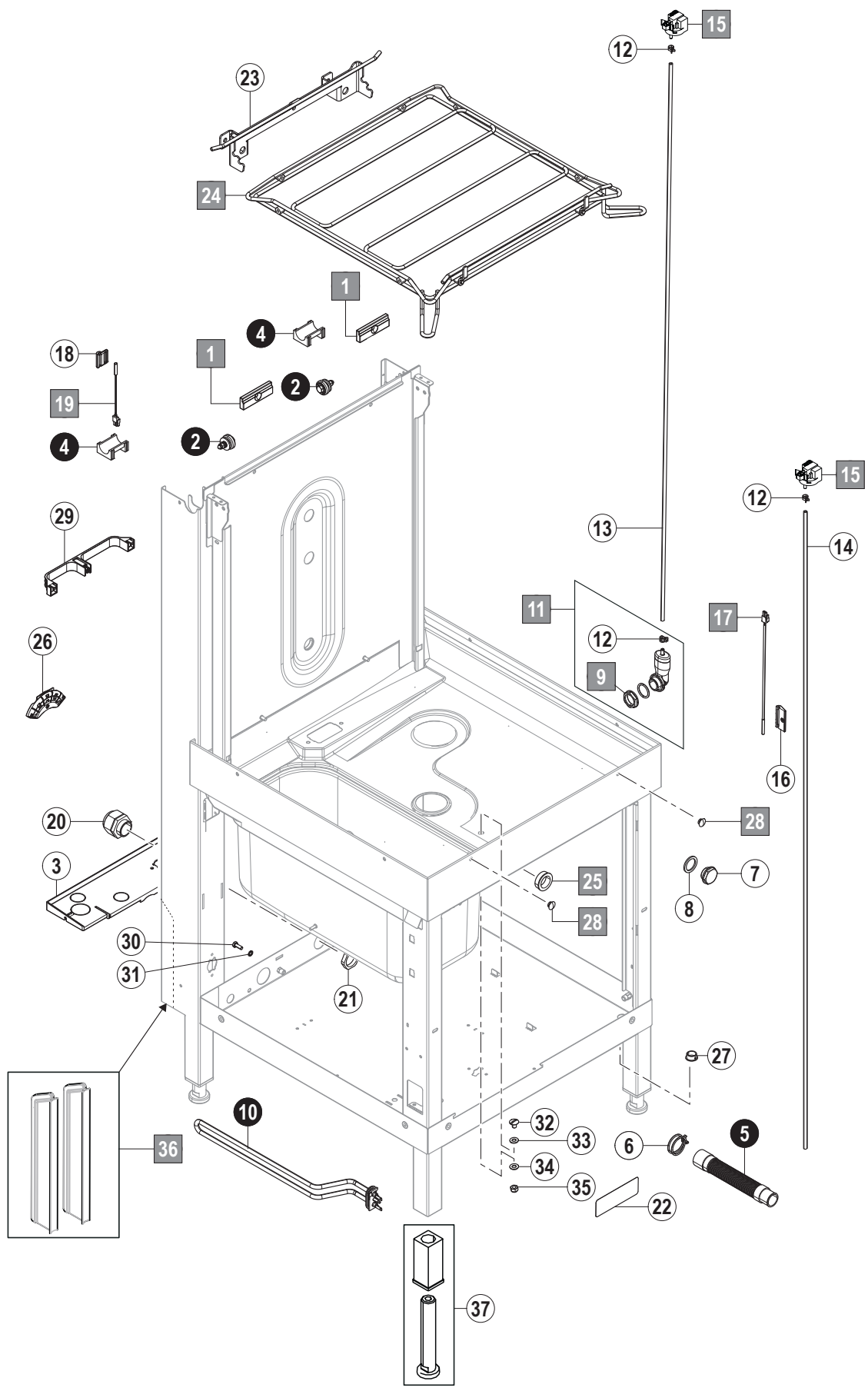
Detailed information can be obtained from your specialist dealer or from:

SERVICE Tel. 01803 45 62 58
Internet: www.hobart.de
E-Mail: info@hobart.de (within Germany)

© HOBART GmbH, Offenburg 2019

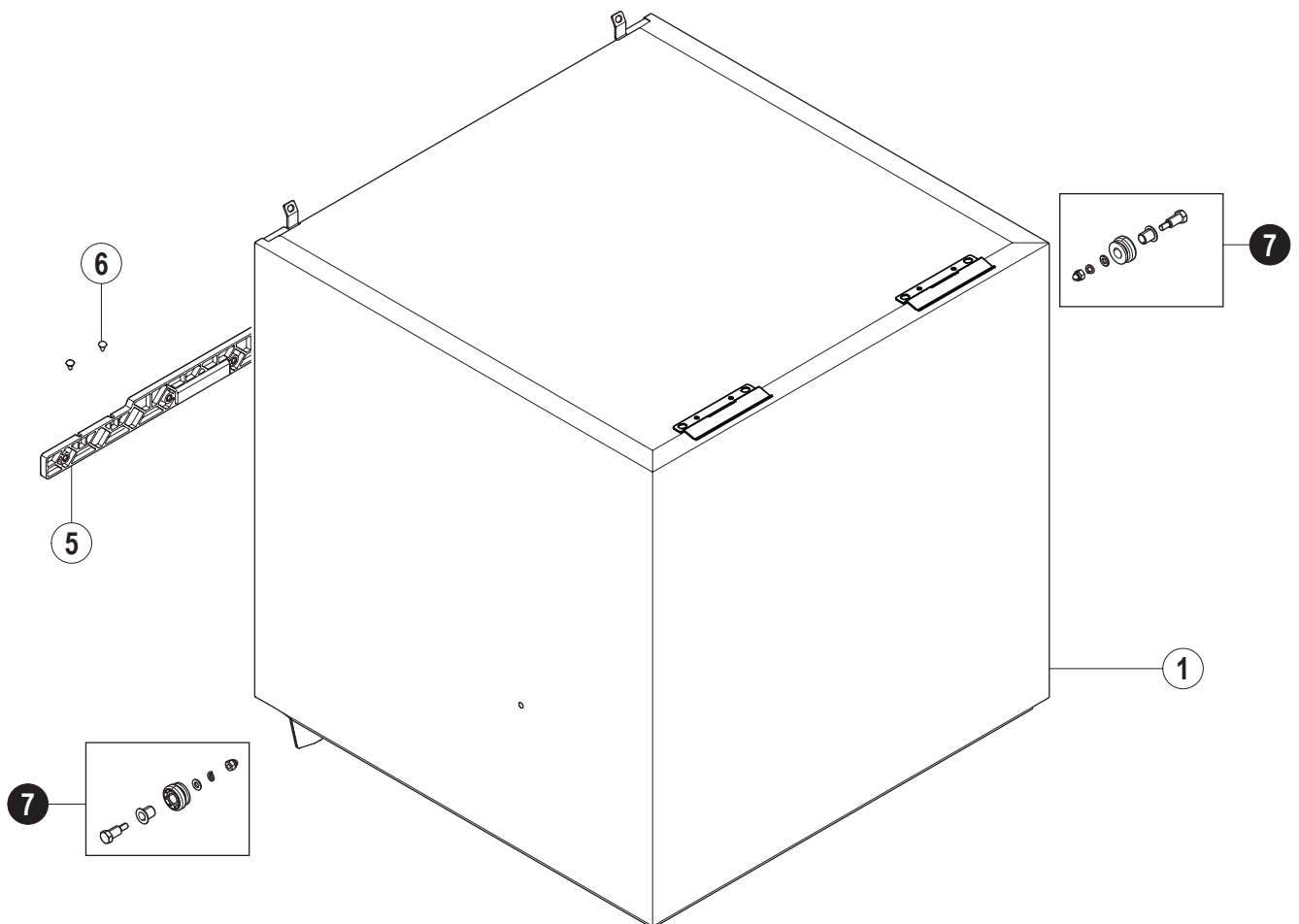
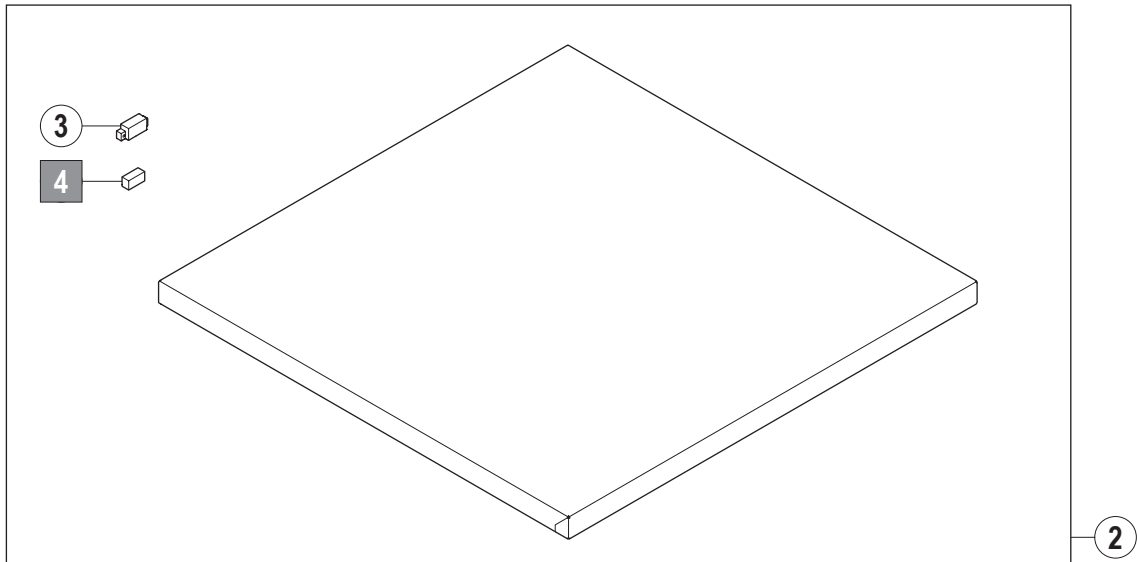
Page	Chapter	Content
4	1.	Base frame
6	2.	Hood
8	3.	Hoodlift handle
10	4.	Covering
12	5.	Filling without Softener, with rinse pump
14	6.	Filling with Softener, with rinse pump
16	7.	Filling pressure booster
18	8.	Drain system
20	9.	Strainer system
22	10.	Wash system
24	11.	Wash pump 0,4 kW
26	12.	Wash pump 0,7 kW
28	13.	Boiler 6,15 kW
30	14.	Boiler 12,3 kW
32	15.	Pressure booster
34	16.	Switch box
36	17.	Dosage

1. Base frame



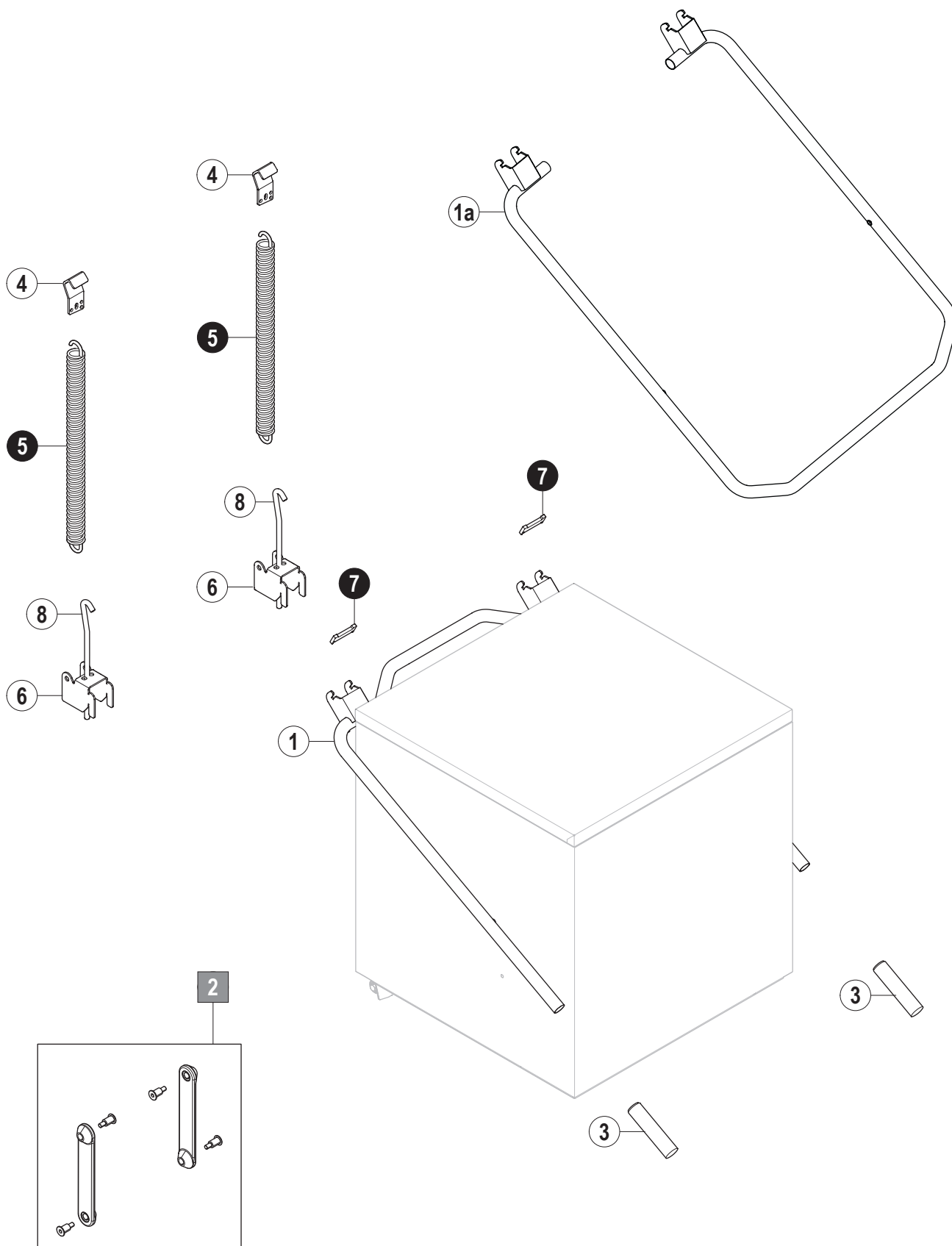
Pos. no.	Part no.	Part name	Remarks
1	01-246900-001	Distance block	
2	01-515688-001	Roller compl.	
3	01-515789-001	Cover back side	
4	00-898024-001	Bearing	
5	00-323801-001	Drain hose	only without drain pump
6	00-324510-341	Hose clip	only without drain pump
7	01-297500-001	Cover	
8	00-775305-001	Sealing	
9	00-324384-000	Nut	
10	00-883423-001	Tank heater	
11	01-515334-001	Air chamber replacement kit	
12	01-246214-003	Hose clip	
13	00-324402-022	Hose	
14	00-324402-023	Hose	
15	01-539157-001	Pressure transmitter	
16	01-297719-001	Bracket temperature sensor	
17	00-775612-001	Temperature sensor	
18	01-515259-001	Bracket gas reed switch	
19	01-515276-001	Reed switch	
20	00-695661-005	Cable fitting	
21	00-695664-005	Counter nut	
22	01-240359-001	Label warning notice	
23	01-531697-001	Bracket rack frame	
24	01-539519-003	Rack frame	
25	01-510505-001	Insulation bushing	
26	01-515897-001	Hose guidance rail	
27	00-895609-001	Cover cap	
28	00-886859-001	Plug	
29	01-539512-001	Hose guidance rail	
30	00-602570-000	Screw	
31	00-605283-001	Fan washer	
32	00-603654-000	Screw	without detergent dosing only
33	00-172986-010	Sealing	without detergent dosing only
34	00-602287-000	Washer	without detergent dosing only
35	00-602503-000	Nut	without detergent dosing only
36	01-539610-001	Spare parts kit cover U-Profil	
37	ML102829	Spare part kit adjustable foot	

2. Hood



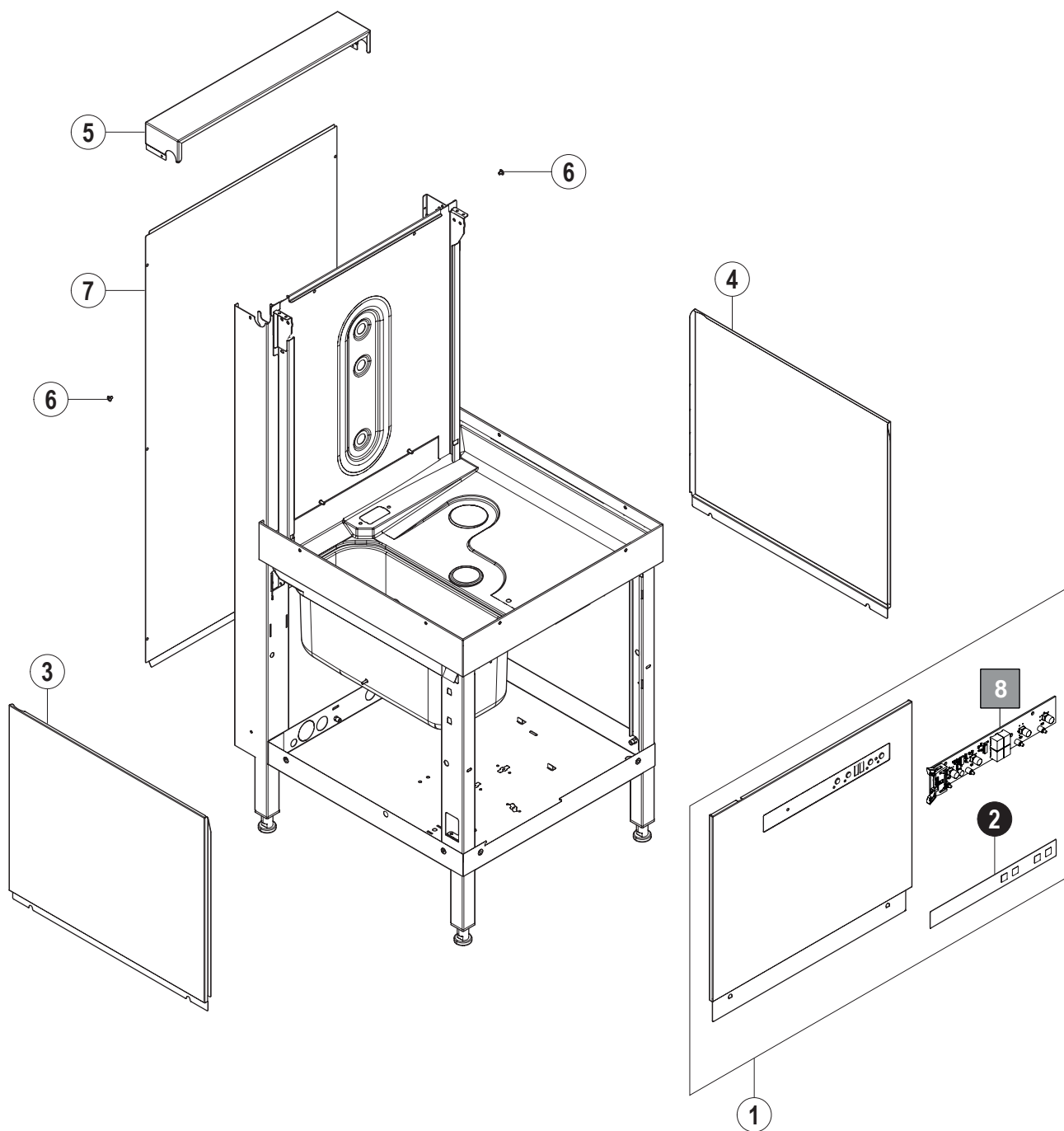
Pos. no.	Part no.	Part name	Remarks
1	04-005602-005	Hood without insulation	
2	04-005837-001	Cover Hood	
3	00-883746-001	Magnet retainer	
4	00-775860-001	magnet	
5	01-297717-001	Block	
6	00-228828-000	Stopper	
7	01-515688-001	Roller compl.	

3. Hoodlift handle



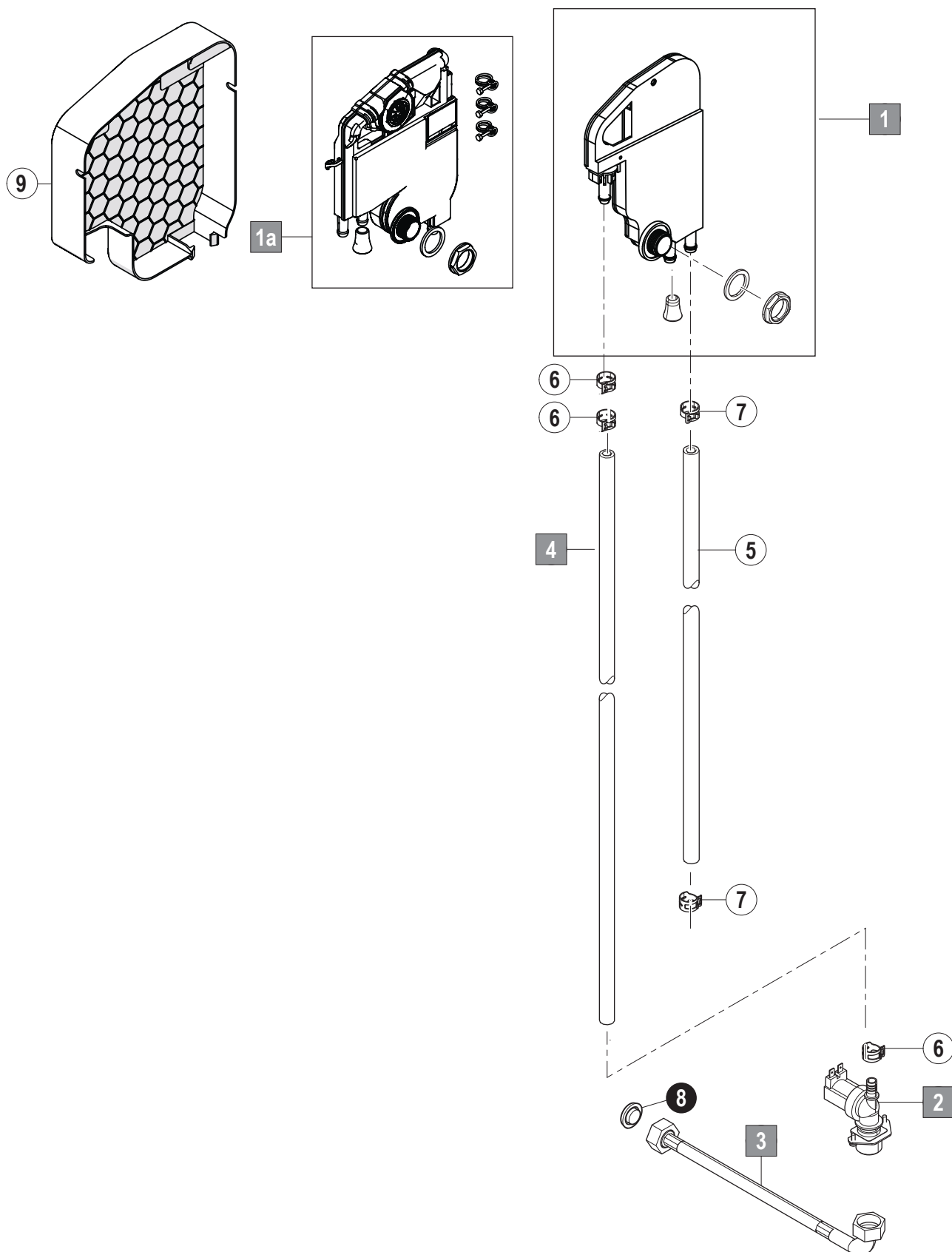
Pos. no.	Part no.	Part name	Remarks
1	01-515940-001	Hoodlift handle Ecomax	
1a	01-515644-002	Hoodlift handle Ecomax Plus	
2	00-883947-001	Spare parts kit hood link	
3	00-226640-000	Handle	
4	00-883631-001	Spring bracket	
5	00-898028-001	Spring	
6	01-539539-001	Mounting bracket spring	
7	00-883683-002	Spring retaining bolt	
8	00-883931-001	Mounting bracket	

4. Covering



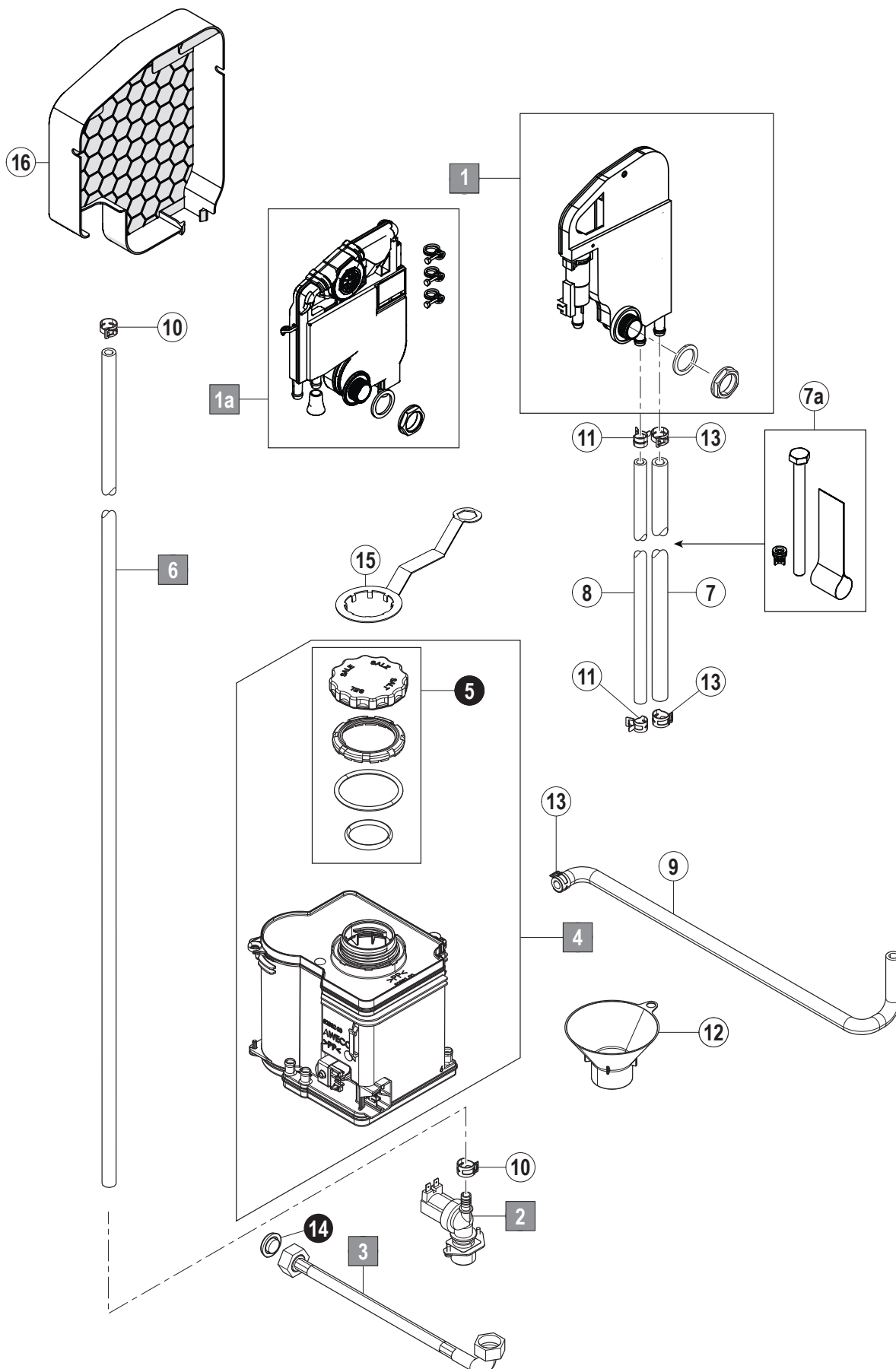
Pos. no.	Part no.	Part name	Remarks
1	04-005739-001	Covering front side	
2	04-005744-001	Ecomax film keypad	
	04-005747-001	Ecomax Plus film keypad	
3	01-515959-001	Covering left	
4	04-005668-001	Covering right	
5	01-515947-001	Back cover	
6	00-883731-001	Screw	
7	01-515948-001	Back covering	optional only
8	04-005050-001	Operating and display unit	

5. Filling without Softener, with rinse pump



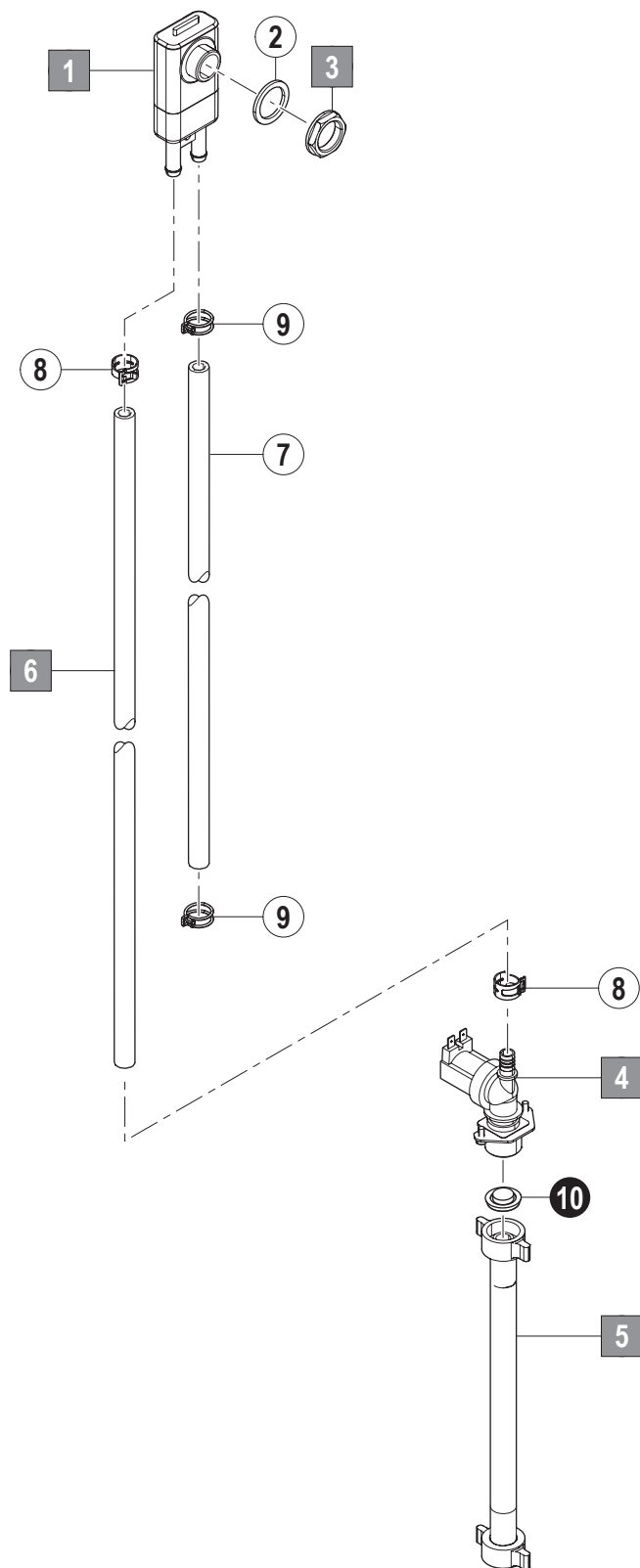
Pos. no.	Part no.	Part name	Remarks
1	01-515331-001	Spare parts kit waterbreak	
1a	04-006346-001	AIR GAP UK spare part kit	only England Outside of England use Waterbreak 01-515331-001.
2	00-883658-001	Filling valve	
3	04-005833-001	Water supply hose	incl. Pos. 8
	01-510262-003	Water supply hose	Australia only
4	01-246371-015	Hose	
5	01-297802-010	Hose	
6	00-323945-016	Hose clip	
7	01-246214-002	Spring band clamp	
8	00-378525-001	Sealing with strainer	
9	04-005763-001	Cover AIR GAP	only England

6. Filling with Softener, with rinse pump



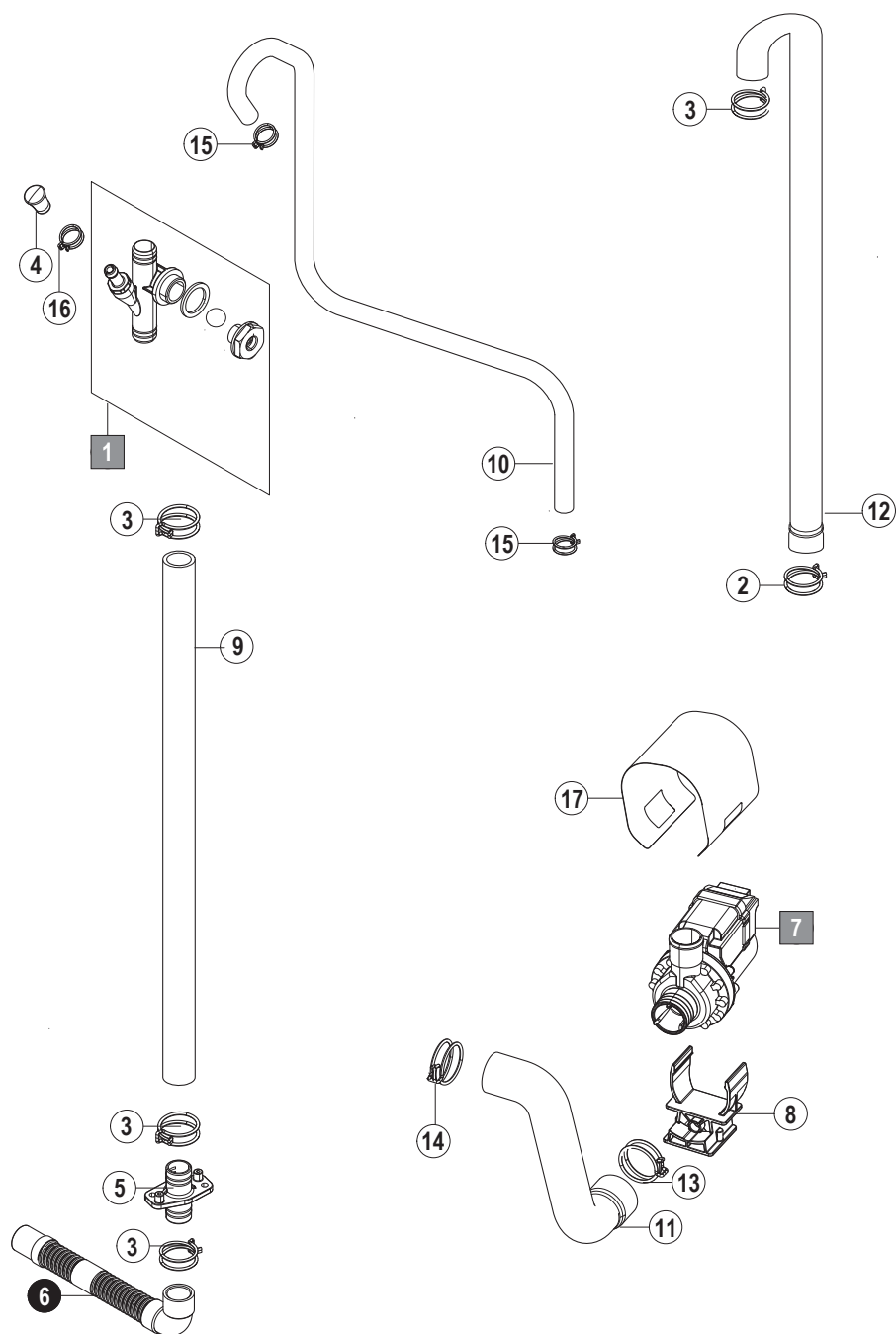
Pos. no.	Part no.	Part name	Remarks
1	01-515331-002	Spare parts kit waterbreak	
1a	04-006346-001	AIR GAP UK spare part kit	only England Outside of England use Waterbreak 01-515331-002
2	00-883658-001	Filling valve	
3	04-005833-001	Water supply hose	incl. Pos. 14
4	01-515030-001	Softener	incl. Pos. 5
5	01-515030-050	Spare parts kit softener cover lid	
6	01-246371-015	Hose	
7	01-297802-009	Hose	for England: check valve spare part kit (item 7a) also order
7a	04-006448-001	Return valve spare parts kit	only England also order hose pos. 7
8	00-775611-010	Hose	
9	04-005673-001	Hose	
10	00-323945-016	Hose clip	
11	01-246214-008	Hose clip	
12	01-515277-001	Funnel	
13	01-246214-002	Spring band clamp	
14	00-378525-001	Sealing with strainer	
15	01-293500-001	Tool softener	
16	04-005763-001	Cover AIR GAP	only England

7. Filling pressure booster



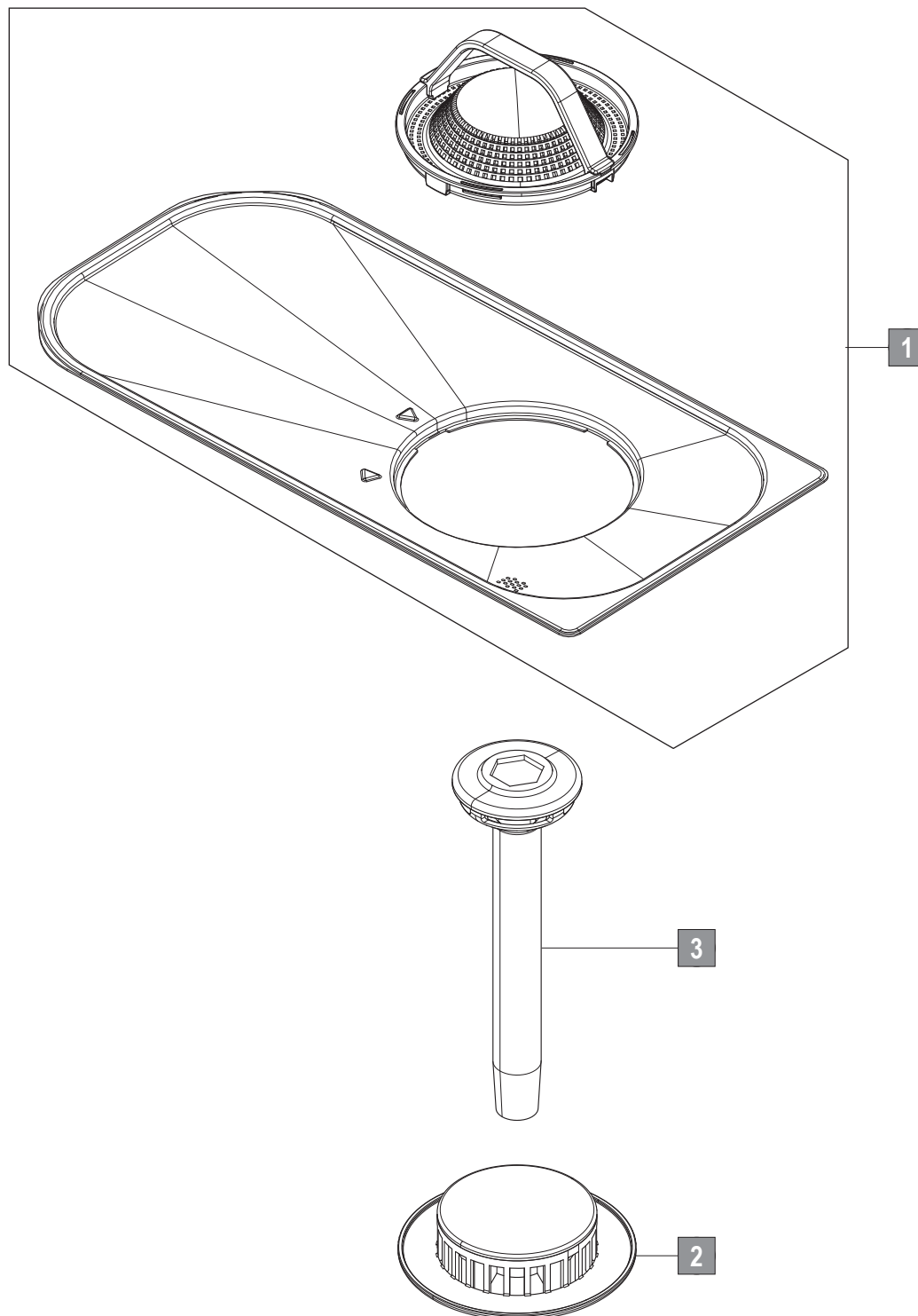
Pos. no.	Part no.	Part name	Remarks
1	00-775759-002	Double shuttle valve	
2	00-775305-001	Sealing	
3	00-324384-000	Nut	
4	00-883658-002	Filling valve	
5	00-324088-002	Water supply hose	
	01-510262-003	Water supply hose	Australia only
6	01-246371-015	Hose	
7	01-297802-008	Hose	
8	00-323945-016	Hose clip	
9	00-324510-173	Hose clip	
10	00-378525-001	Sealing with strainer	

8. Drain system



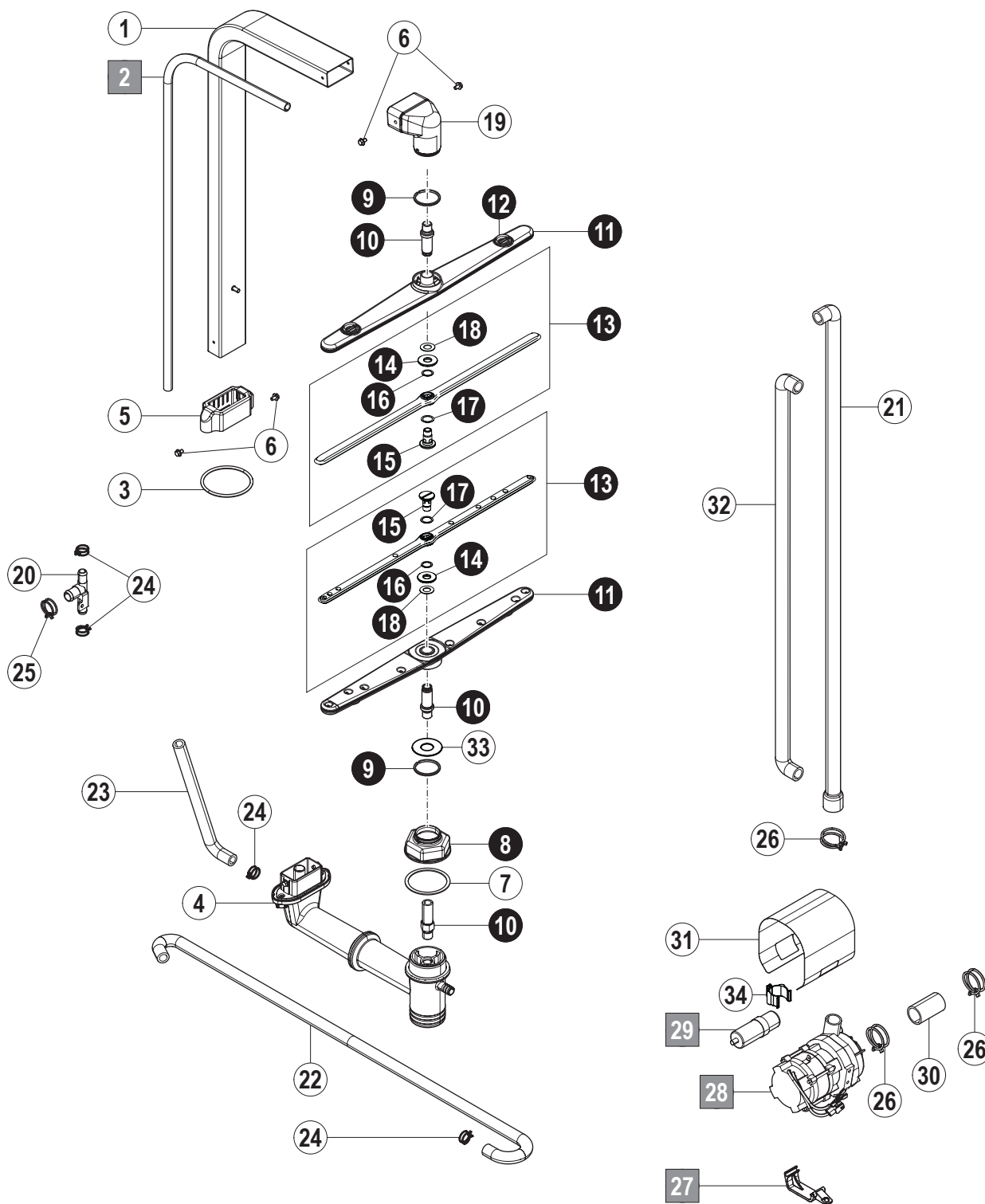
Pos. no.	Part no.	Part name	Remarks
1	01-515775-001	Ventilation valve, compl.	
2	00-324510-372	Hose clip	
3	00-324510-287	Hose clip	
4	00-775531-001	Blind plug/lind plug	without softener only
5	01-240159-001	Drain connection	
6	00-883961-002	Drain hose	
7	01-297707-002	Drain pump	
8	01-515923-001	Bracket pump	
9	01-515856-001	Hose	
10	01-515868-001	Hose	with softener only
11	01-515937-002	Hose	
12	01-515935-001	Hose	
13	00-324510-429	Hose clip	
14	00-324510-388	Hose clip	
15	01-246214-002	Spring band clamp	with softener only
16	00-324510-140	Hose clip	without softener only
17	04-005818-001	Protective sheet	

9. Strainer system



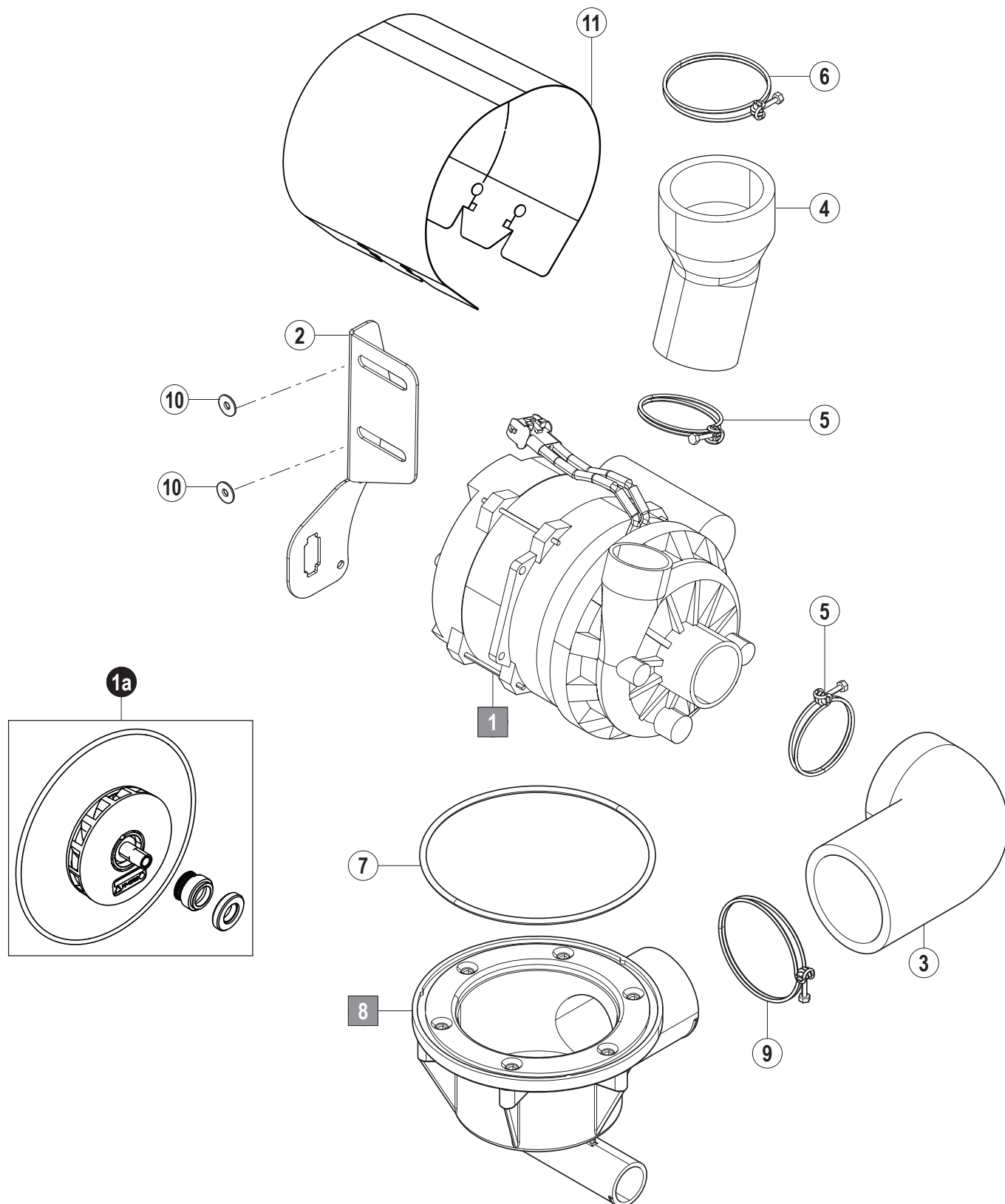
Pos. no.	Part no.	Part name	Remarks
1	01-539544-001	Strainer system compl.	
2	00-883733-001	Drain strainer	with drain pump
	00-883733-002	Drain strainer	without drain pump
3	00-883737-001	Riser	without drain pump

10. Wash system



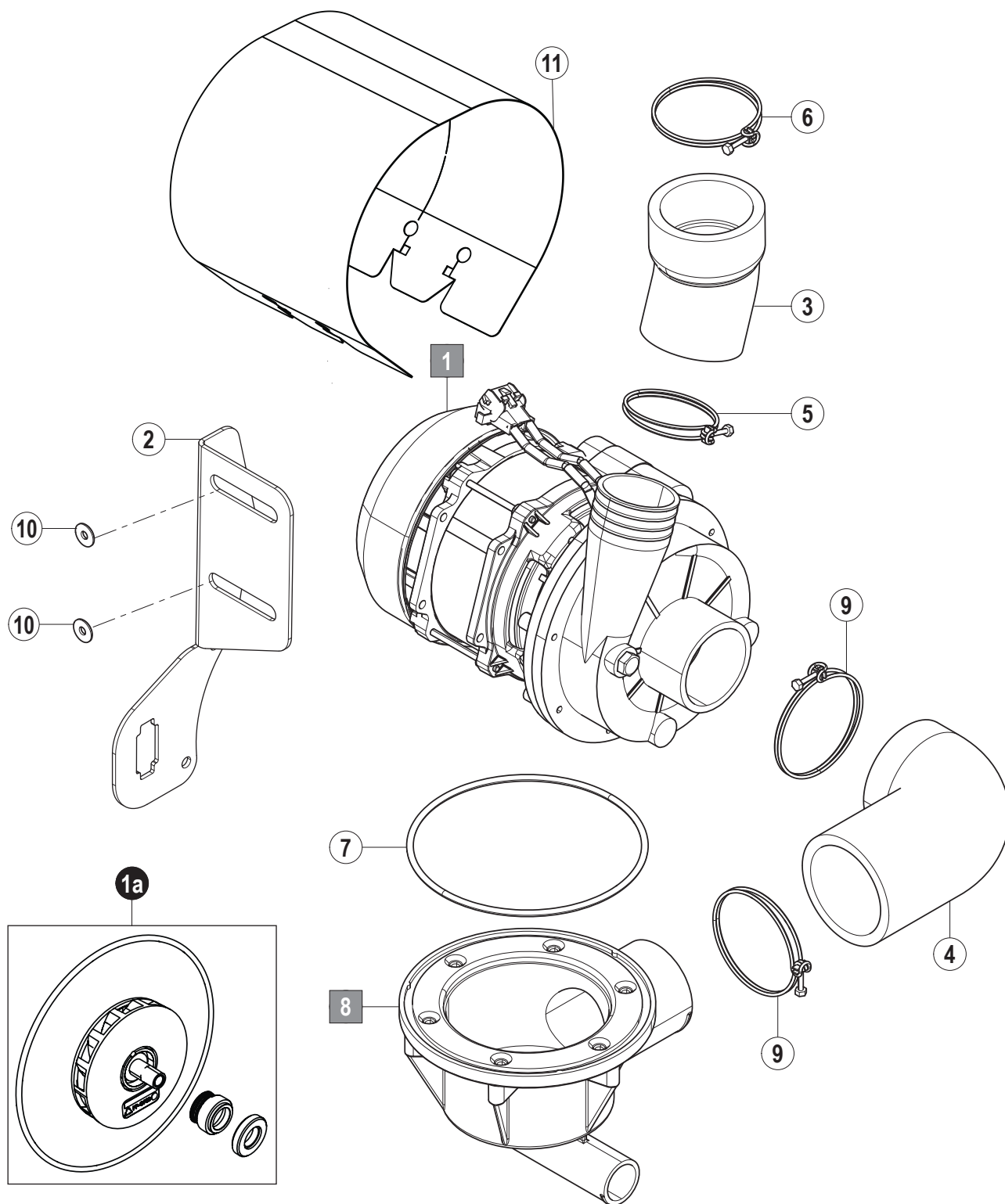
Pos. no.	Part no.	Part name	Remarks
1	01-515685-001	Manifold	
2	00-883512-001	Wash pipe	
3	00-276903-065	O-ring	
4	01-515649-001	Wash arm base, bottom	
5	01-515687-001	Cover manifold	
6	00-609782-000	Screw	
7	00-172986-035	Sealing	
8	00-883496-001	Separating nut	
9	01-515356-001	Slide ring	
10	04-006253-001	Axle wash arm	
11	01-515111-001	Wash arm, compl.	incl. Pos. 12
12	01-515110-001	Plug	4 pieces
13	04-006339-001	Rinse arm, compl.	
14	01-240205-002	Milled nut	
15	01-240095-002	Axle rinse arm	
16	00-774072-001	Teflon disc	
17	00-774072-002	Teflon disc	
18	00-774072-007	Teflon disc	
19	00-883467-001	Wash arm base, top	
20	00-324071-000	T-piece	
21	01-515846-001	Hose	
22	01-515847-001	Hose	
23	01-515848-001	Hose	
24	00-324510-202	Hose clip	
25	00-324510-242	Hose clip	
26	00-324510-327	Hose clip	
27	01-515154-001	Bracket rinse pump	
28	01-515260-001	Rinse pump	
	01-515260-002	Rinse pump	60 Hz only
29	00-226568-002	Condenser	
30	04-006262-001	Hose	for 6 kW
	01-515844-001	Hose	for 12 kW
31	01-515763-001	Cover	
32	01-539593-001	Hose	with pressure booster only
33	01-539647-009	Orifice plate	Ecomax Plus only
34	01-539645-001	Holder	

11. Wash pump 0,4 kW



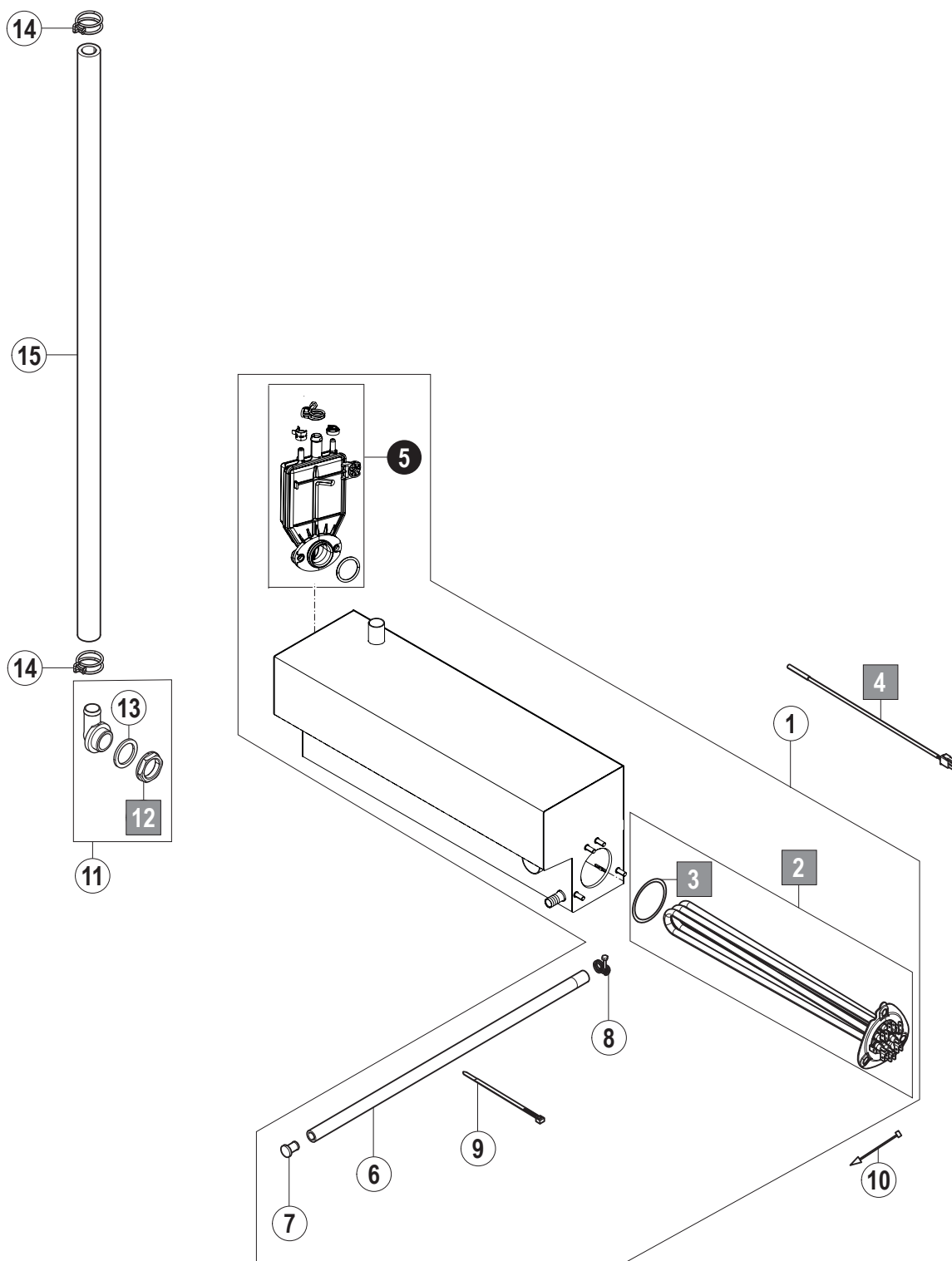
Pos. no.	Part no.	Part name	Remarks
1	01-515967-001	Wash pump	
1a	01-515967-010	Spare part kit pump 50 Hz	
2	01-515692-001	Bracket pump	
3	01-515910-001	Hose	
4	01-515911-001	Hose	
5	00-323945-056	Hose clip	
6	00-323945-072	Hose clip	
7	00-276903-028	O-ring	
8	00-883735-001	Tank flange	
9	00-323945-076	Hose clip	
10	00-603373-000	Washer	
11	01-539659-001	Cover pump	

12. Wash pump 0,7 kW



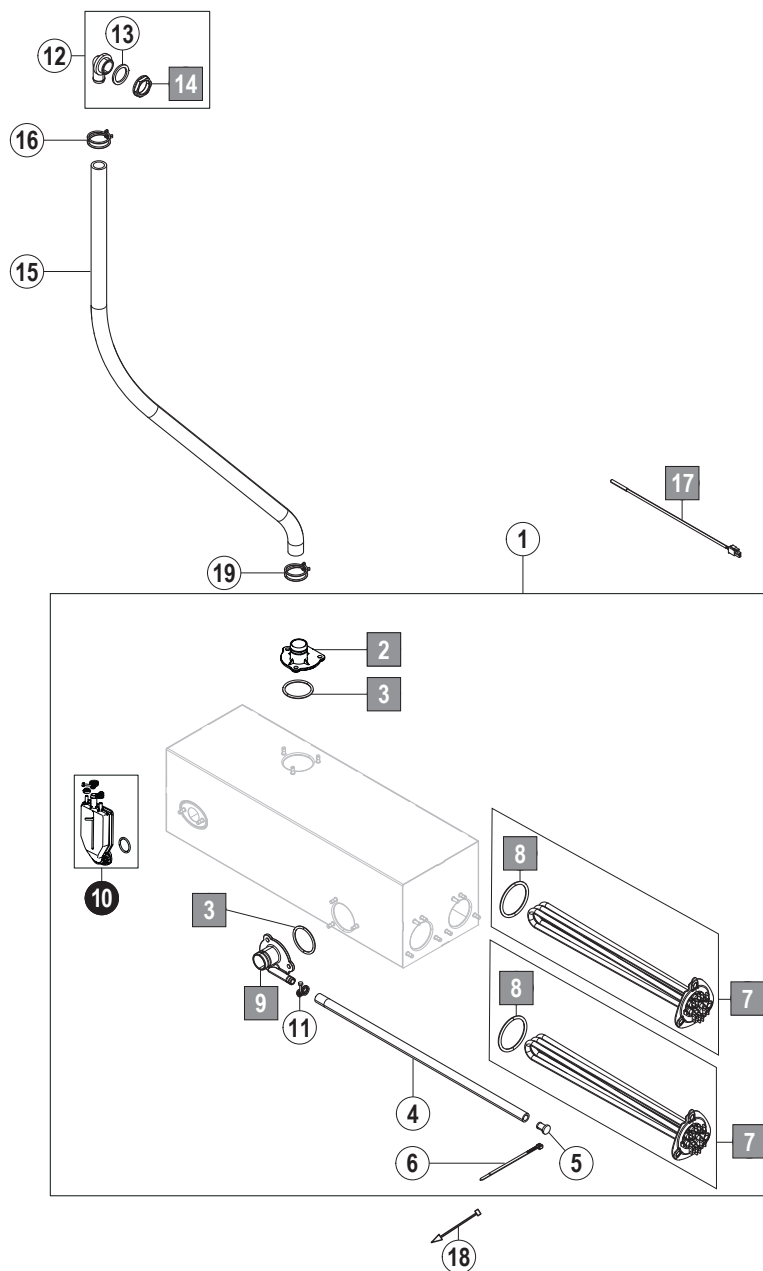
Pos. no.	Part no.	Part name	Remarks
1	01-515765-001	Wash pump 50 Hz	
	01-515765-002	Wash pump 60 Hz	
1a	00-898253-010	Spare part kit pump 50 Hz	
	00-898253-020	Spare part kit pump 60 Hz	
2	01-515692-001	Bracket pump	
3	01-515798-001	Hose	
4	01-515945-001	Hose	
5	00-323945-064	Hose clip	
6	00-323945-072	Hose clip	
7	00-276903-028	O-ring	
8	00-883735-001	Tank flange	
9	00-323945-076	Hose clip	
10	00-603373-000	Washer	
11	01-539656-001	Cover pump	

13. Boiler 6,15 kW



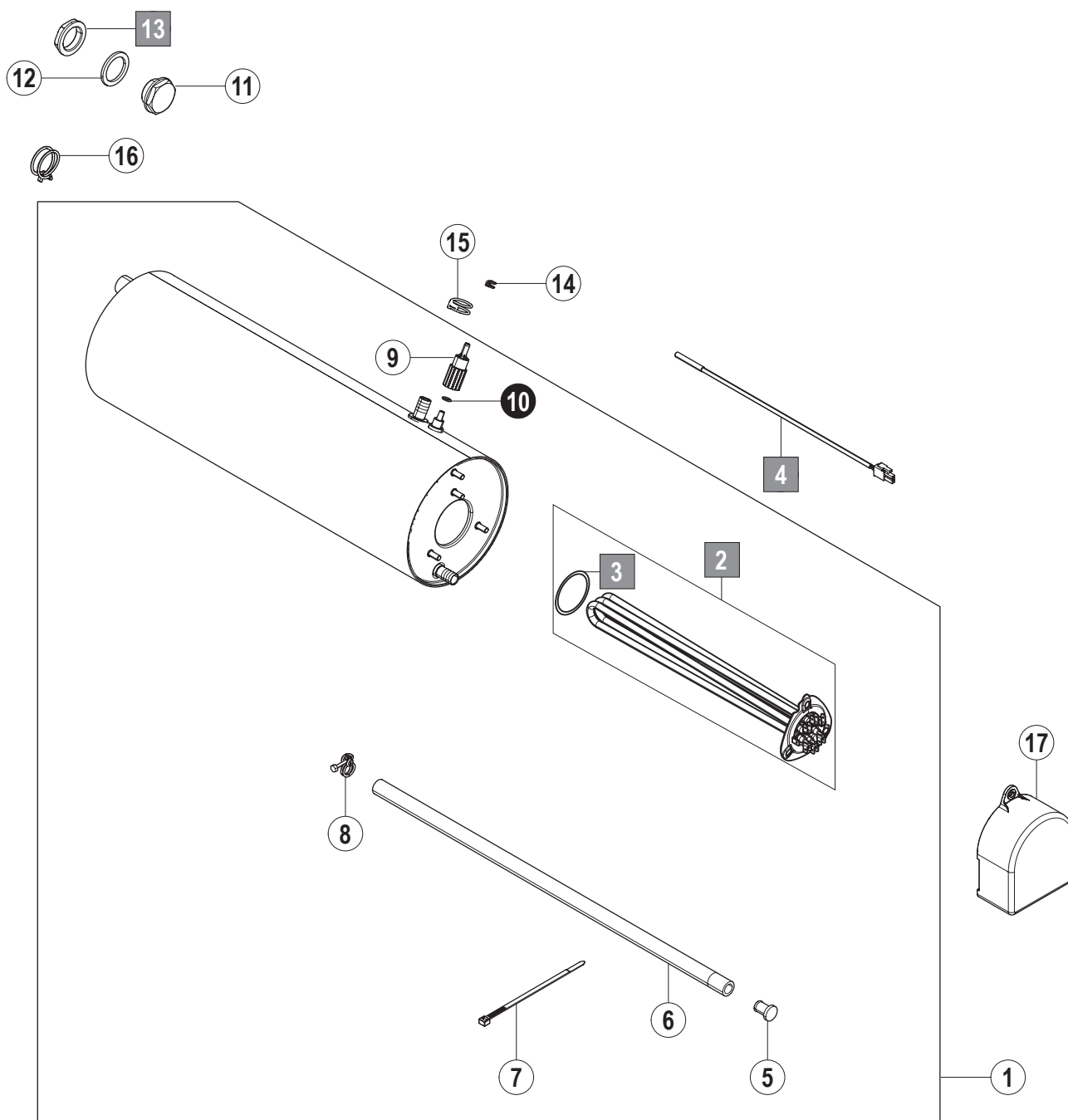
Pos. no.	Part no.	Part name	Remarks
1	04-006147-003	Boiler, compl.	
2	01-515258-001	Hot water tank heater	
3	01-240135-011	O-ring	
4	00-775612-001	Temperature sensor	
5	04-006291-001	Boiler connection chamber spare part kit	
6	00-774080-001	Hose	
7	00-774512-001	Plug	
8	00-323945-015	Wire hose clamp	
9	00-165128-001	Cable tie	
10	00-227073-095	Bridge	
11	00-883281-001	Spare part kit filler piece	
12	00-324384-000	Nut	
13	00-775305-001	Sealing	
14	00-324510-242	Hose clip	
15	04-005676-001	Hose	

14. Boiler 12,3 kW



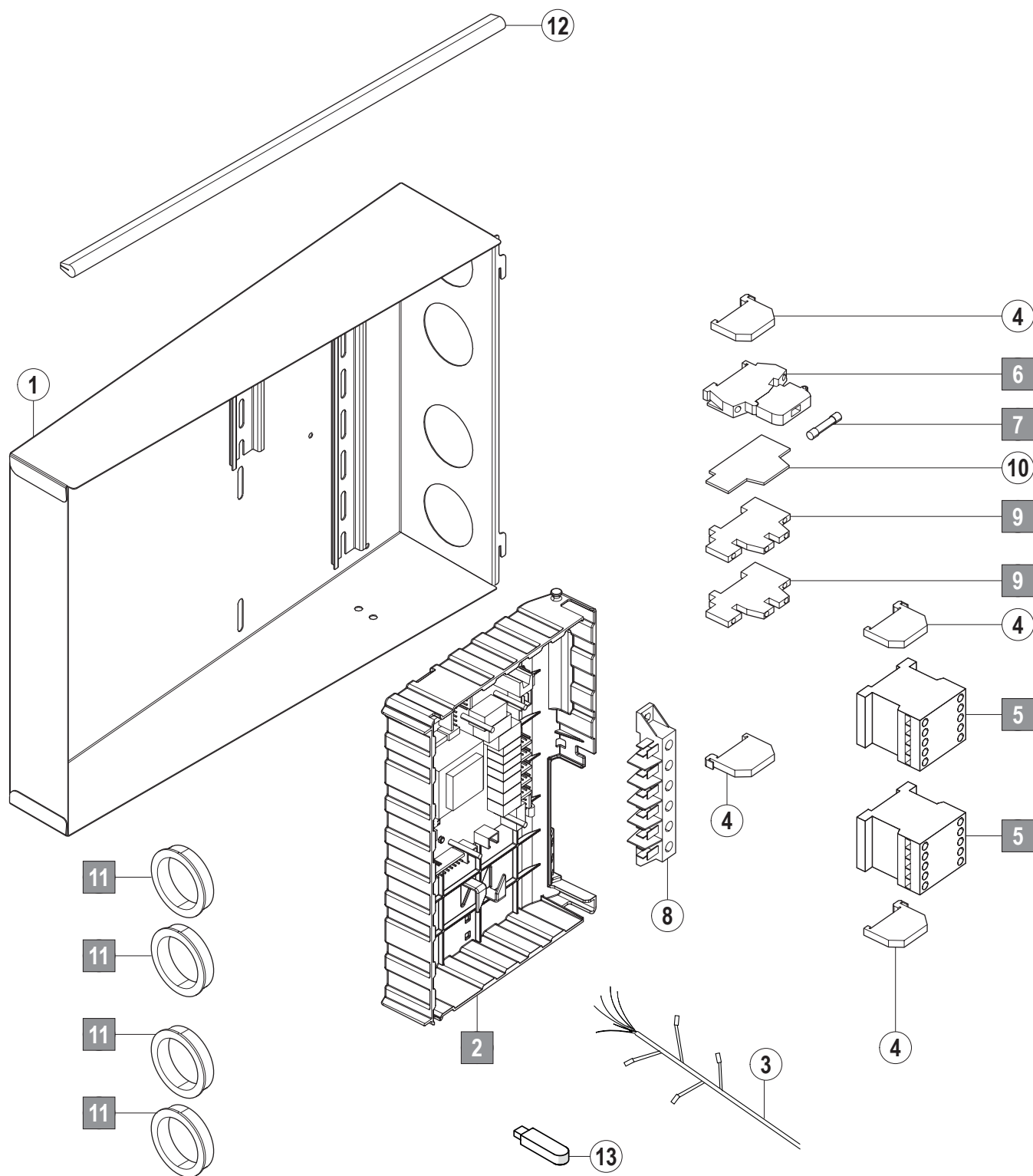
Pos. no.	Part no.	Part name	Remarks
1	04-005727-001	Boiler, compl.	
2	01-539985-001	Boiler overflow	
3	00-276903-064	O-ring	
4	00-774080-001	Hose	
5	00-774512-001	Plug	
6	00-165128-001	Cable tie	
7	01-240761-001	Hot water tank heater	
8	01-240135-011	O-ring	
9	04-005599-001	Pump intake	
10	04-006291-001	Boiler connection chamber spare part kit	
11	00-323945-015	Wire hose clamp	
12	00-883281-001	Spare part kit filler piece	
13	00-775305-001	Sealing	
14	00-324384-000	Nut	
15	01-539567-001	Hose	
16	00-324510-242	Hose clip	
17	00-775612-001	Temperature sensor	
18	00-227073-095	Bridge	
19	00-324510-356	Hose clip	

15. Pressure booster



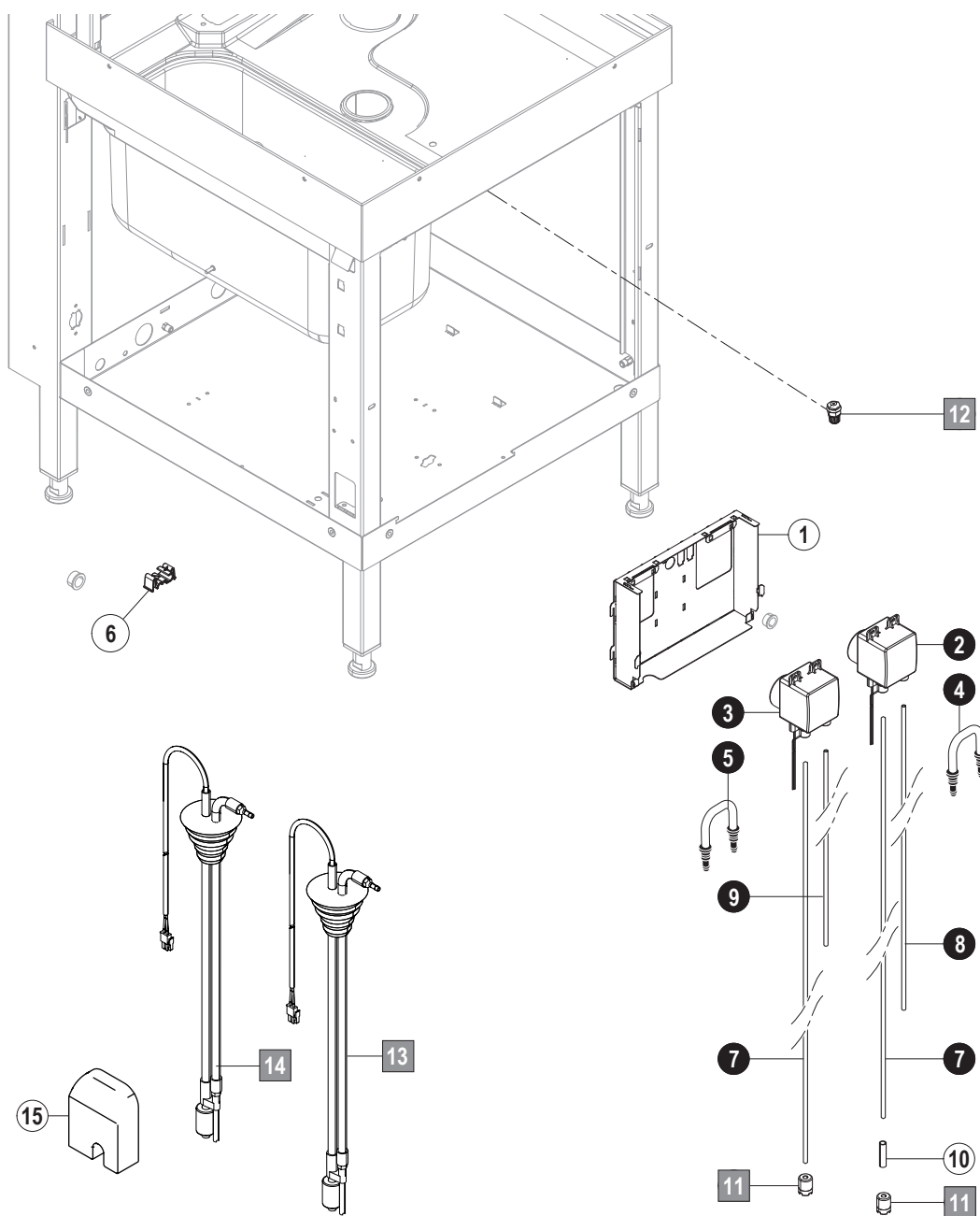
Pos. no.	Part no.	Part name	Remarks
1	01-240792-001	Boiler, compl.	
2	01-240761-001	Hot water tank heater	
3	01-240135-011	O-ring	
4	00-775612-001	Temperature sensor	
5	00-774512-001	Plug	
6	00-774080-001	Hose	
7	00-165128-001	Cable tie	
8	00-323945-015	Hose clip	
9	01-240452-001	Threaded nipple	
10	00-276903-055	O-ring	
11	01-297500-001	Cover	
12	00-775305-001	Sealing	
13	00-324384-000	Nut	
14	00-324510-068	Hose clip	
15	00-324510-173	Hose clip	
16	00-324510-242	Hose clip	
17	01-294062-001	Cover cap	

16. Switch box



Pos. no.	Part no.	Part name	Remarks
1	01-515748-001	Switch box premouted	incl. Pos. 12
2	04-005708-001	Control	
3	04-005710-001	Cable harness	
4	00-323981-001	End clamp	
5	00-695521-062	Contactactor	
6	00-775548-001	Fuse clip and disconnect terminal	
7	00-775570-001	Fuse	
8	00-774055-001	Connection block	
9	00-785508-001	Two-tier terminal	
10	00-785508-011	Core end plate	
11	00-886756-001	Insulation bushing	
12	00-229169-013	Rubber profile	
13		USB flash drive	

17. Dosage



Pos. no.	Part no.	Part name	Remarks
1	01-539668-001	Bracket dosing unit	
2	01-515269-006	Dosing pump rinse aid	
3	01-515269-002	Dosing pump detergent	
4	00-775608-003	Spare parts kit mill hose rinse aid	
5	00-775608-002	Spare parts kit mill hose detergent	
6	01-515242-001	Hose guidance rail	
7	01-246301-011	Suction hose	
8	01-246301-020	Pressure hose rinse aid	
9	01-246301-016	Pressure hose detergent	
10	01-246210-001	Hose shell, blue	
11	00-775239-001	Suction piece	
12	00-883676-001	Spare parts kit dosing nipple	
13	04-006166-013	Suction lance detergent (black) 340mm	Suction lance (option) / Ecomax Plus only
	04-006166-011	Suction lance detergent (black) 450mm	Suction lance (option) / Ecomax Plus only
14	04-006166-014	Suction lance liquid rinse aid (blue) 340mm	Suction lance (option) / Ecomax Plus only
	04-006166-012	Suction lance liquid rinse aid (blue) 450mm	Suction lance (option) / Ecomax Plus only
15	01-515113-001	Cover	Suction lance (option)

HOBART GmbH
ecomax by HOBART
Robert-Bosch-Str.17
D-77656 Offenburg
Phone +49(0)1803 66 29
Fax +49(0)1803 63 29
E-Mail: info@ecomaxbyhobart.com
Internet: www.ecomaxbyhobart.com

Printed in Germany