



## HOW TO ORDER SPARE PARTS

In order to avoid expensive delays or mistakes by delivery , when you order spare parts, be sure to have indicated the right code - number, the complete description you can find on the list and the quantity for each requested part. Please also include the name of the model for wich the spare parts are requested and its own serial number (fig. A)

## COME ORDINARE LE PARTI DI RICAMBIO

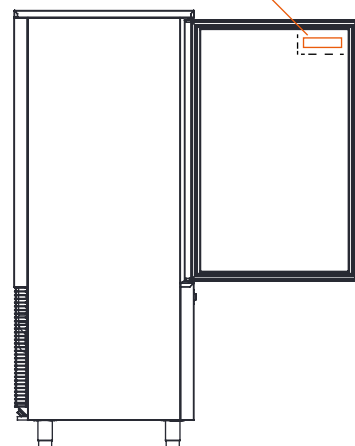
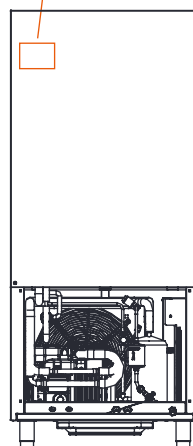
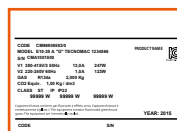
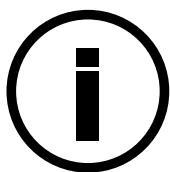
Al fine di evitare costosi ritardi od errori nella spedizione, quando ordinate le parti di ricambio, accertatevi di indicare il numero di codice, la descrizione completa che trovate sull'elenco e la quantità per ogni parte di ricambio richiesta. Includere inoltre il nome del modello per cui sono richieste le parti di ricambio ed il suo numero di serie (fig. A).

## COMMENT COMMANDER LES PIÈCES DETACHEÉS

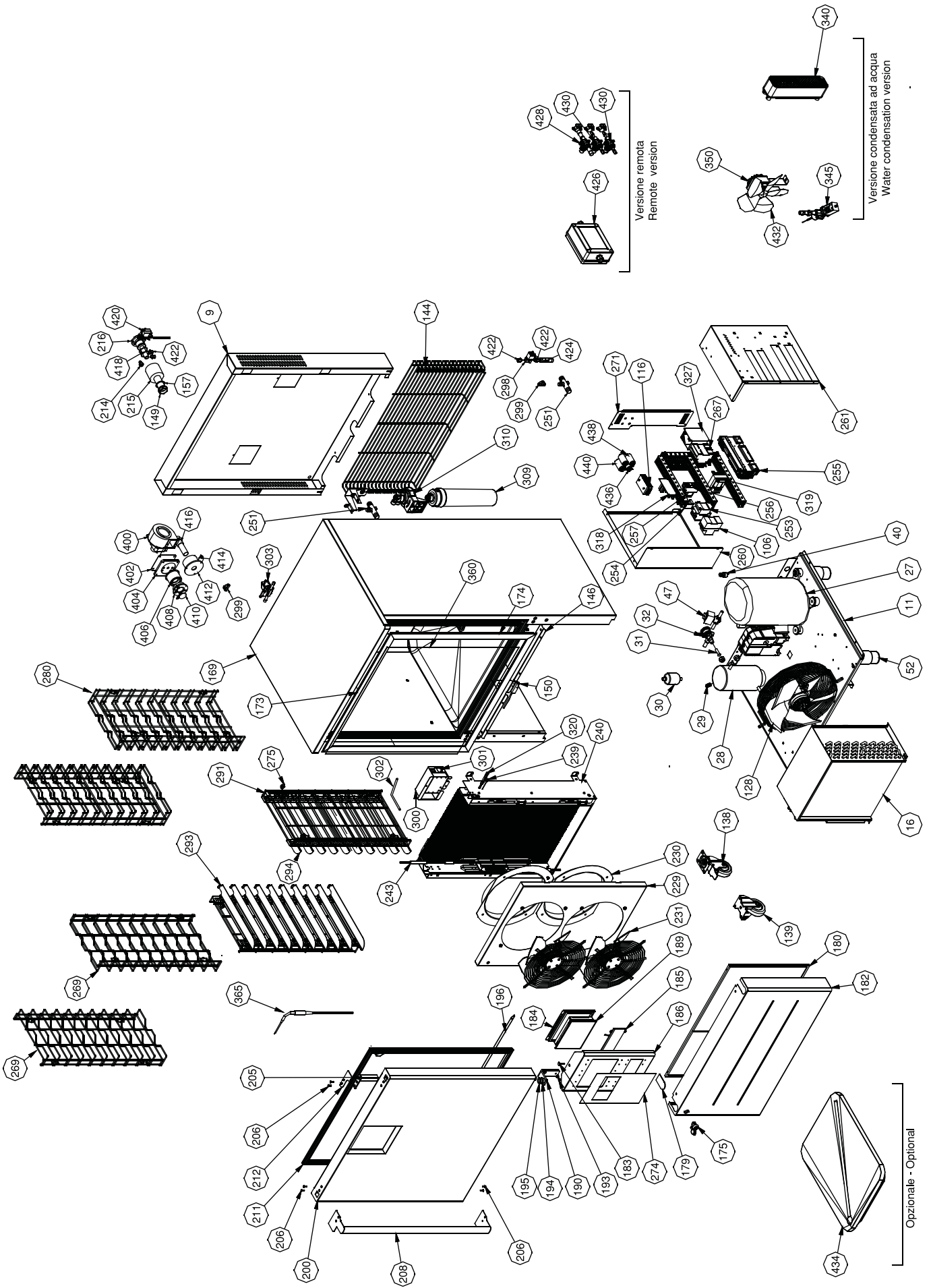
Pour éviter des retards coûteux ou des erreurs dans la livraison, au moment de commander les pièces detachées nous vous prions de bien vouloir vous assurer d'avoir indiqué la référence, la description complète que vous trouvez dans la liste et la quantité pour chaque pièce detachée demandée. Inclure en outre le nom du modèle pour lequel les pièces sont demandées et le numero de série (fig. A).

## WIE DIE ERSATZTEILE BESTELLT WERDEN SOLLEN

Um Fehl-b.z.w. verspätete Lieferungen zu vermeiden, geben Sie bei den Ersatzteilbestellungen die Kodenummer an. Volle Beschreibung wie in Katalog ersichtlich und Menge für sämtliche bestellte Ersatzteile sollten ebenfalls engegeben werden. Schließlich die bestellten Ersatzteile entsprechende Seriennummer hinweisen (fig. A).



(fig. A)



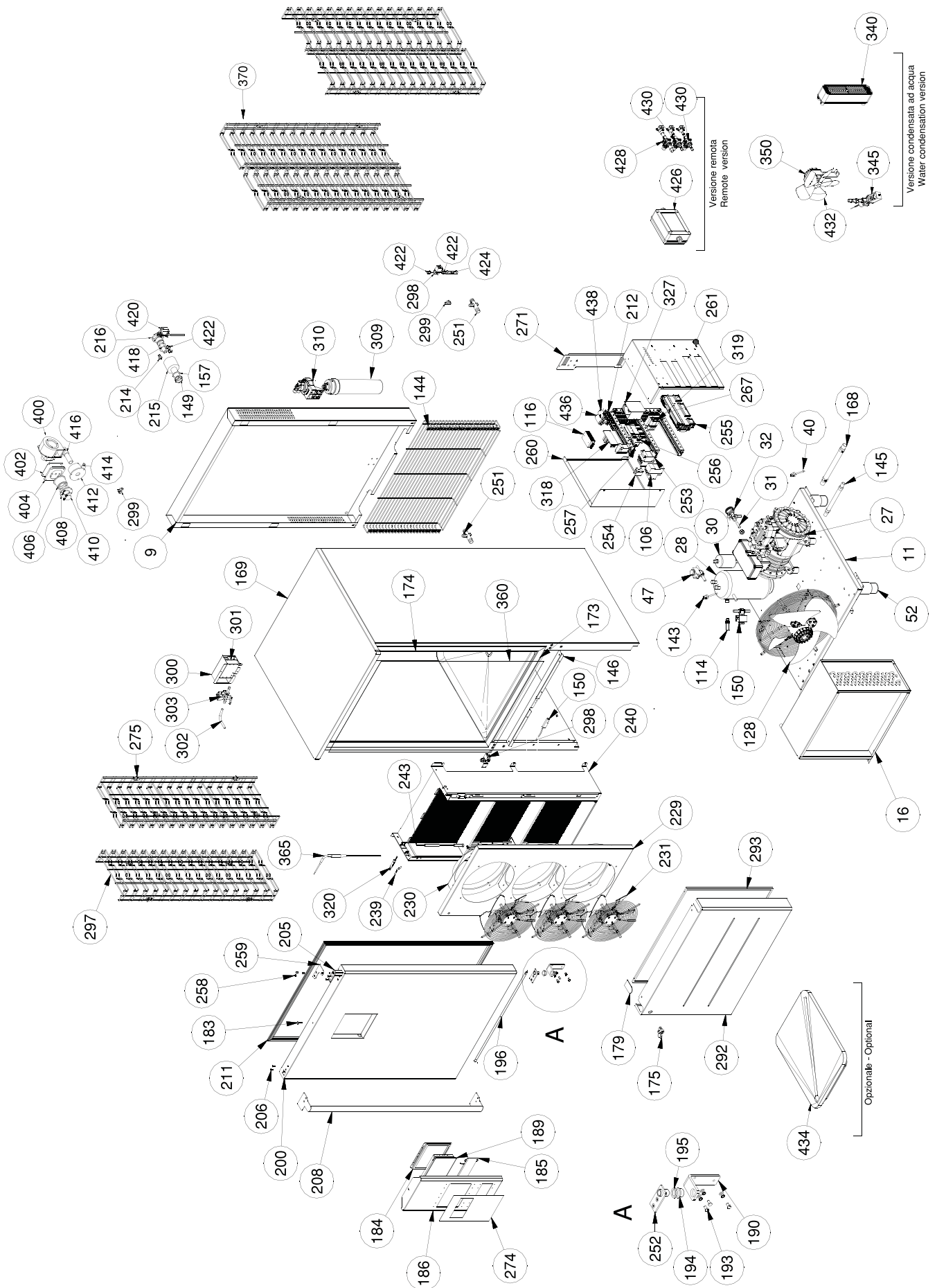


N°	CODICE/CODE	IT	EN
9	CM26105329/0	Protezione posteriore D10	Back panel D10
11	CM26105204/0	Basamento UC	UC Base
16	CM19177099/0	Condensatore aria	Air condenser
27	CM19165601/0	Compressore	Compressor
28	CM19635353/0	Ricevitore liquido	Liquid receiver
29	CM19870629/0	Valvola sicurezza	Safety valve
30	CM19301257/0	Filtro gas	Gas filter
31	CM19470958/0	Orificio valvola term.	Orifice Therm. valve
32	CM19200018/0	Valv. Termostatica	Thermostatic valve
40	CM19550634/0	PRESS. DI MASSIMA	MAX PRESSURE
47	CM19863034/0	Valvola gas caldo	Hot gas valve
52	CM81502140/0	Piede	Leg
106	CM33576454/0	Salvamotore	Motor protection
106	CM33576461/0	Blocco ausiliario salvamotore	Auxiliary contact Mot. Protect.
116	CM33580326/0	Alimentatore Ozono 12 Vcc	Ozone power supply 12Vcc
128	CM18562519/0	Ventilatore condensatore	Air condenser fan
138	CM19651021/0	Ruota girevole + freno	Rotating wheel + brake
139	CM19651022/0	Ruota fissa	Fixed wheel
144	CM26105323/0	Griglia posteriore	Back grille
146	CM26105179/0	Staffa micro	Micro door support
149	CM26103821/0	Ghiera 1"	Ring 1"
150	CM19410213/0	Micro porta	Micro Door
157	CM26103829/0	Guarnizione 1"	Gasket 1"
169	CM81572508/0	Gruppo scocca	Foam body
173	CM26103790/0	Profilo cornice orizz.	Horizontal frame profile
174	CM26103791/0	Profilo cornice vert.	Vertical frame profile
175	CM33580291/0	Presa USB	USB socket
179	CM26105219/0	Tappo cerniera	Hinge cap
180	CM26105232/0	Filtro Aria C10	C10 Air filter
182	CM81572052/0	PRESA ARIA C10 Tecn.	Air intake C10 Tecn.
182	CM81572115/0	PRESA ARIA C10 Icem.	Air intake C10 Icem.
182	CM81559845/0	PRESA ARIA C10 Neutra	Air intake C10 Neutral
183	CM12776601/0	VITE POELIERS IX M4X10	SCREW POELIERS IX M4X10
184	CM26107172/0	Piastra fissaggio touch	Fixing touch plate
185	CM33580309/0	Piastra led	Led plate
186	CM26105166/0	Protezione quadro comandi	Protection control panel
189	CM26115147-0	PGD Touch 7" programm.	Programm. PGD Touch 7"
190	CM26105342/0	Staffa a L cerniera	L-shaped hinge bracket
193	CM12790780/0	VITE TE M6x12	Screw TE M6x12
194	CM26105345/0	Bussola Cerniera	Hinge Compass
195	CM26105344/0	Rondella Cerniera	Washer Hinge
196	CM26105340/0	Deflettore condensa porta	Water condensation deflector
200	CM81559803/0	Porta schiumata	Foamed door
205	CM19120057/0	Cerniera superiore	Top hinge
206	CM12826520/0	Vite TSP M5x16	Screw TSP M5x16
208	CM81572082/0	Maniglia	Handle
211	CM26100606-0	GUARNIZIONE PORTA	GASKET DOOR
212	CM26105111/0	Staffa cerniera sup.	Top hinger bracket
214	CM19612556/0	Atomizzatore acqua	Water atomizer
215	CM26105416/0	Manicotto umidificatore	Humidifier sleeve
216	CM26105417/0	Supporto atomizzatore	Atomizer support
229	CM26105321/0	Portaventole C10	Fan holder C10
230	CM26105225/0	Boccaglio ventilatore	Fan mouthpiece
231	CM18562559/4	Ventil. Evaporatore	Evaporator fan motor
239	CM33580316/0	Sonda cella	Room probe
240	CM81572502/0	Ass. Evaporatore	Evaporator Assy.
243	CM33575163/0	Resistenza riscaldamento	Heating resistance
251	CM25685312/0	Scarico acqua	Water discharge
253	CM33730740/0	Teleruttore	Power contactor
254	CM33730742/0	Contatto ausiliario	Auxiliary contact

Segue /Follows

★ Ricambi consigliati - Recommended spare parts

★	255	CM26115146-1	Controllore (REV. Sw < 3.00)	PC Board (REV. Sw < 3.00)
		CM26115146-2	Controllore (REV. Sw > 3.00)	PC Board (REV. Sw > 3.00)
	256	CM33575057/0	Base relè	Power relay base
★	257	CM33575058/0	Relè	Relay
	260	CM26105420/0	Coperchio scatola cablaggio	Cover electric box
	261	CM26105422/0	Scatola cablaggio	Electr. Box panel
★	267	CM33580335/0	Alimentatore VDC 24V	Power supply VDC 24V
	269	CM26000075/0	Cermagliera PAST.	Past. Rack
	271	CM26105419/0	Supporto cavi	Cables support
	274	CM19263233/0	Membrana Tecnomac	Tecnomac membrane
	274	CM19263234/0	Membrana Icematic	Icematic membrane
	274	CM19263235/0	Membrana neutra	Neutral membrane
	275	CM26114773/0	Perno cremagliere	Racks pin
	280	CM26100299/0	Cremagliera / guida B10	B10 Rack
	291	CM81560049/0	Portateglie passo 10 B10	Tray holder step 10 mm B10
	293	CM26104012/0		left Pastry guide
	294	CM26104013/0	Guida dx pasticceria	Right Pastry guide
★	298	CM19865550/0	Valv. Acqua umidificatore	water valve humidifier
	299	CM19612558/0	Attacco rapido T D8	Quick coupling T D8
	300	CM26100211/0	Supporto ozonizzatore	Ozonator support
★	301	CM33580288/0	Ozonizzatore	Ozonator
	302	CM26100212/0	Tubo entrata ozono	Inlet ozone pipe
★	303	CM19863036/0	Valvola Ozono	Ozone valve
★	309	CM19301279/0	Filtro acqua	Water Filter
	310	CM19301280/0	Attacco filtro acqua	Water filter connection
★	318	CM33580336/0	Taglio di fase Ventilatori	Cut phase Fans
★	319	CM33065100/0	Trasformatore 230VAC-24VAC	Transformer 230VAC-24VAC
★	320	CM33730752/0	Sonda umidità	Humidity probe
★	327	CM33580247/0	Taglio di fase resistenze	Cut phase resistance
	340	CM19180634/0	Condensatore acqua	Water condenser
★	345	CM19865611/0	Valv. Pressostatica	Pressostatic valve
★	350	CM18562499/0	Motore ventilatore 16W	Fan motor 16W
★	360	CM33575148/0	Resistenza cornice	Door resistance
★	365	CM33580328/0	Sonda prodotto	Product probe
★	400	CM18562601/0	Ventil. Deumidi.	Dehumidification fan
	402	CM26114613-0	Piastra orificio	Orifice panel
	404	CM19864034/0	Piastra ventilatore	Fan plate
	406	CM19864032/0	Prolunga valvola	Valve extension
	408	CM19864031/0	Corpo valvola deumidi.	Dehumid. valve body
	410	CM19864030/0	Valvola deumidif.	Dehumidi. Valve
	412	CM19864033/0	Raccordo valvola deumidificazione	Dehumidification valve connection
	414	CM26114612/0	Barriera vapore	Steam barrier
	416	CM19864004/0	Valvola compensazione	Compensation valve
	418	CM19250014/0	O-ring 36	O-ring 36
★	420	CM19797053-0	Termostato sicurezza 110°C	Safety thermostat 110 °C
	422	CM19162422/0	Raccordo rapido	Quick connector
	424	CM19863011-0	Valvola di non ritorno acqua	NO-return water valve
	426	CM81572188/0	Scatola deriv. Remota	Remote version electrical box
	428	CM19651028/0	Rubinetto a sfera D.16mm	Ball valve D16 mm
	430	CM19651045/0	Rubinetto a sfera D.10mm	Ball valve D10 mm
	432	CM18740038/0	Ventola 254 x 34	Fan blade 254x34
	434	CM26103847/0	Bacinella (Opzionale)	Basin (Optional)
	436	CM19180513/0	Condens. Ventil. Evap. 2 microF	Condens. Evap. Fan 2 microF
	438	CM19180514/0	Condens. Ventil. Evap. 3,15 microF	Condens. Evap. Fan. 3,15 microF
	440	CM19180515/0	Condens. Ventil. cond. 4 microF	Condens. Cond. Fan. 3,15 microF

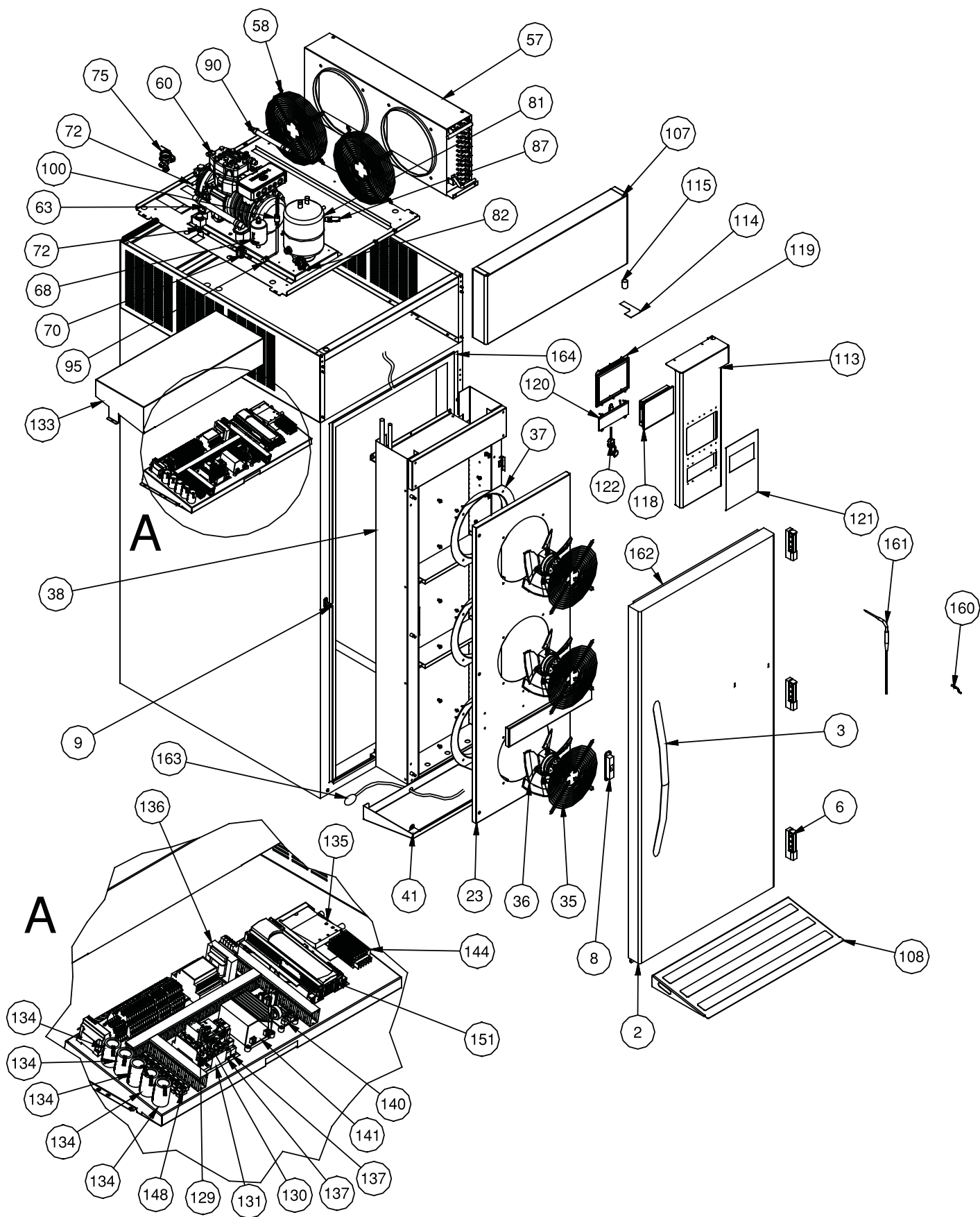


N°	CODICE/CODE	IT	EN
9	CM26105304/0	Protezione posteriore D15	Back panel D15
11	CM81572053/0	Basamento UC	UC Base
16	CM19177071/0	Condensatore ad aria	Air Condenser
27	CM19166047/0	Compressore	Compressor
28	CM19635363/0	Ricevitore/separatore/liquido	Receiver/Separator liquid
30	CM19301272/0	Filtro gas	Gas Filter
31	CM19470957/0	Orificio V.T.	Orifice Th.V.
32	CM19200008/0	Corpo valvola termostatica	Thermostatic valve body
40	CM19550634/0	Press.di Massima	Max Pressure switch
47	CM19863034/0	Valvola gas caldo	Hot gas valve
52	CM81502140/0	Piede	Leg
106	CM33576455/0	Salvamotore	Motor protection
106	CM33576461/0	Blocco ausiliario salvamotore	Auxiliary contact Mot. Protect.
114	CM19870834/0	Valv. Sicurezza	Safety Valve
116	CM33580326/0	Alimentatore Ozono 12 Vcc	Ozone power supply 12Vcc
128	CM18562536/1	Ventilatore condensatore	Condenser Fan
143	CM19550629/0	Pressostato ventilatore	Fan Pressostat
144	CM26105386/0	Griglia posteriore	Back grille
145	CM19034023/0	Antivibrante NF-3	Anti-vibration NF-3
146	CM26105179/0	Staffa micro	Micro door support
149	CM26103821/0	Ghiera 1"	Ring 1"
150	CM19410213/0	Micro porta	Micro Door
157	CM26103829/0	Guarnizione 1"	Gasket 1"
168	CM19034025/0	Antivibrante NF-5	Anti-vibration NF-5
169	CM81572513/0	Gruppo scocca	Foam body
173	CM26103790/0	Profilo cornice orizz.	Horizontal frame profile
174	CM26103792/0	Profilo cornice vert.	Vertical frame profile
175	CM33580291/0	Presa USB	USB socket
179	CM26105219/0	Tappo cerniera	Hinge cap
183	CM12776601/0	Vite poeliers IX M4X10	Screw Poeliers IX M4X10
184	CM26107172/0	Piastra fissaggio touch	Fixing touch plate
185	CM33580309/0	Piastra led	Led plate
186	CM26105152/0	Protezione quadro comandi	Protection control panel
189	CM26115147-0	PGD Touch 7" programm.	Programm. PGD Touch 7"
190	CM26105342/0	Staffa a L cerniera	L-shaped hinge bracket
193	CM12790780/0	VITE TE M6x12	Screw TE M6x12
194	CM26105345/0	Bussola Cerniera	Hinge Compass
195	CM26105344/0	Rondella Cerniera	Washer Hinge
196	CM26105340/0	Deflettore condensa porta	Water condensation deflector
200	CM81559802/0	Porta schiumata	Foamed door
205	CM19120057/0	Cerniera superiore	Top hinge
206	CM12826520/0	Vite TSP M5x16	Screw TSP M5x16
208	CM81572083/0	Maniglia	Handle
211	CM26100607-0	Guarnizione Porta	Gasket Door
212	CM33500009/0	Porta fusibile 10A	Fuse Holder 10A
214	CM19612556/0	Atomizzatore acqua	Water atomizer
215	CM26105416/0	Manicotto umidificatore	Humidifier sleeve
216	CM26105417/0	Supporto atomizzatore	Atomizer support
229	CM26105093/0	Portaventole C15-C30	Fan holder C15-C30
230	CM26105225/0	Boccaglio ventilatore	Fan mouthpiece
231	CM18562559/4	Ventil. Evaporatore	Evaporator fan motor
239	CM33580316/0	Sonda cella	Room probe
240	CM81572510/0	Ass. Evaporatore	Evaporator Assy.
243	CM33575163/0	Resistenza riscaldamento	Heating resistance
251	CM25685312/0	Scarico acqua	Water discharge
252	CM26105343/0	Staffa	Braket
253	CM33730740/0	Teleruttore	Power contactor
254	CM33730742/0	Contatto ausiliario	Auxiliary contact
255	CM26115146-1	Controllore (REV. Sw < 3.00)	PC Board (REV. Sw < 3.00)
	CM26115146-2	Controllore (REV. Sw > 3.00)	PC Board (REV. Sw > 3.00)

Segue /Follows

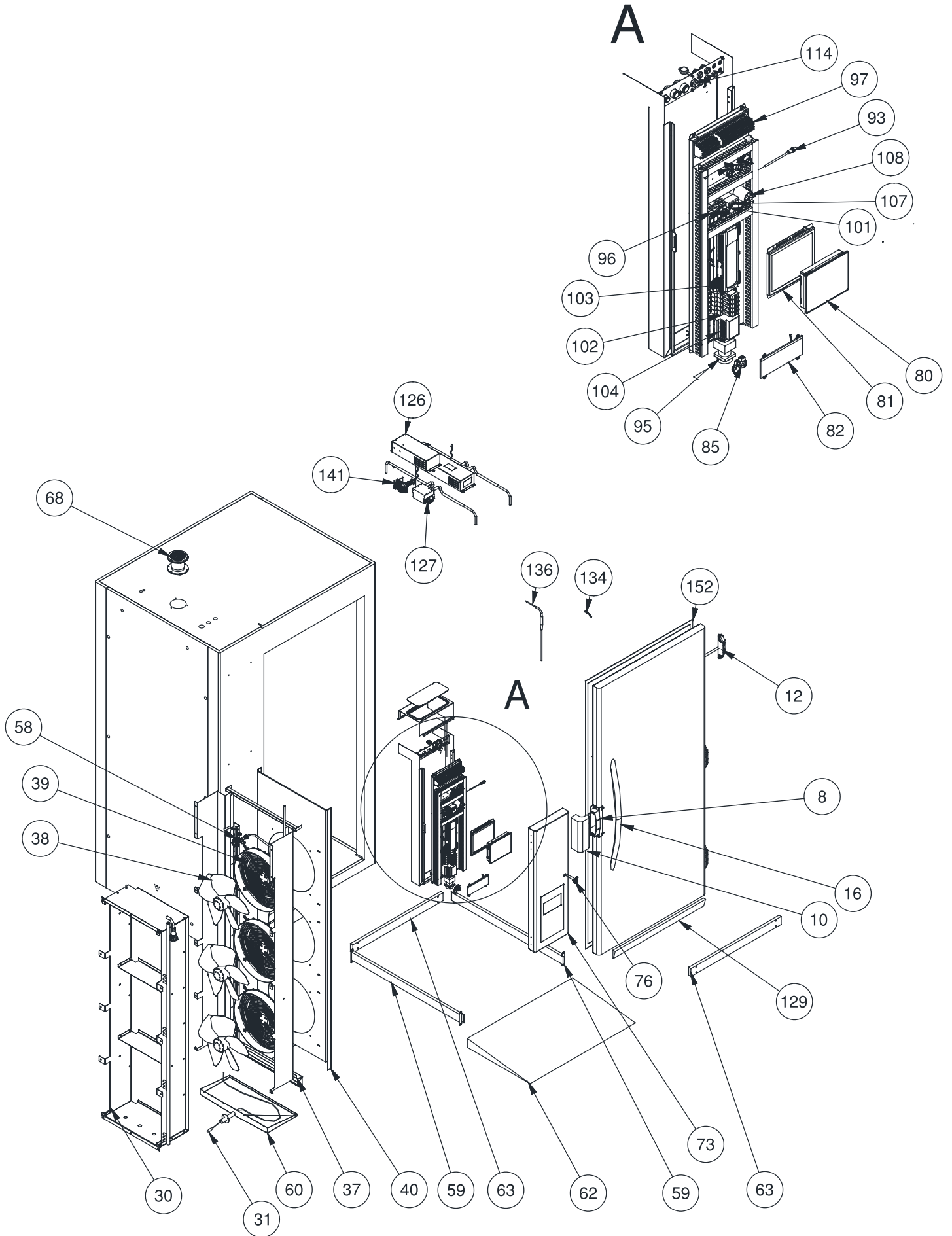
N°	CODICE/CODE	IT	EN
256	CM33575057/0	Base relè	Power relay base
257	CM33575058/0	Relè	Relay
258	CM12788801/0	Vite te M5x10	Screw te M5x10
259	CM26105517/0	Staffa cerniera sup. DX	Top hinger bracket Right
259	CM26105518/0	Staffa cerniera sup. SX	Top hinger bracket Left
260	CM26105420/0	Coperchio scatola cablaggio	Cover electric box
261	CM26105422/0	Scatola cablaggio	Electr. Box panel
267	CM33580335/0	Alimentatore VDC 24V	Power supply VDC 24V
271	CM26105419/0	Supporto cavi	Cables support
274	CM19263233/0	Membrana Tecnomac	Tecnomac membrane
274	CM19263234/0	Membrana Icematic	Icematic membrane
274	CM19263235/0	Membrana neutra	Neutral membrane
275	CM26114773/0	Perno cremagliere	Racks pin
292	CM81572057/0	Preso Aria C15-C30 Tecn.	Air intake C15-C30 Tecn.
292	CM81572124/0	Preso Aria C15-C30 Icem.	Air intake C15-C30 Icem.
292	CM81572170/0	Preso Aria C15-C30 Neutra	Air intake C15-C30 Neutral
293	CM26105233/0	Filtro Aria	Air Filter
297	CM26102966/0	Cremagliera B15 "G"	Rack B15 "G"
298	CM19865550/0	Valv. Acqua umidificatore	water valve humidifier
299	CM19612558/0	Attacco rapido T D8	Quick coupling T D8
300	CM26100211/0	Supporto ozonizzatore	Ozonator support
301	CM33580288/0	Ozonizzatore	Ozonator
302	CM26100212/0	Tubo entrata ozono	Inlet ozone pipe
303	CM19863036/0	Valvola Ozono	Ozone valve
309	CM19301279/0	Filtro acqua	Water Filter
310	CM19301280/0	Attacco filtro acqua	Water filter connection
318	CM33580336/0	Taglio di fase Ventilatori	Cut phase Fans
319	CM33065100/0	Trasformatore 230VAC-24VAC	Transformer 230VAC-24VAC
320	CM33730752/0	Sonda umidità	Humidity probe
327	CM33580247/0	Taglio di fase resistenze	Cut phase resistance
340	CM19180635/0	Condensatore ad acqua	Water condenser
345	CM19865611/0	Valv. Pressostatica	Pressostatic valve
350	CM18562499/0	Motore ventilatore 16W	Fan motor 16W
360	CM33575149/0	Resistenza comice	Door resistance
365	CM33580328/0	Sonda prodotto	Product probe
370	CM26103925/0	Cremagliera B30 Past-GN	Rack B30 Past-GN
400	CM18562601/0	Ventil. Deumidi.	Dehumidification fan
402	CM26114613-0	Piasta orificio	Orifice panel
404	CM19864034/0	Piastra ventilatore	Fan plate
406	CM19864032/0	Prolunga valvola	Valve extension
408	CM19864031/0	Corpo valvola deumidi.	Dehumid. valve body
410	CM19864030/0	Valvola deumidif.	Dehumid. Valve
412	CM19864033/0	Raccordo valvola deumidificazione	Dehumidification valve connection
414	CM26114612/0	Barriera vapore	Steam barrier
416	CM19864004/0	Valvola compensazione	Compensation valve
418	CM19250014/0	O-ring 36	O-ring 36
420	CM19797053-0	Termostato sicurezza 110°C	Safety thermostat 110 °C
422	CM19162422/0	Raccordo rapido	Quick connector
424	CM19863011-0	Valvola di non ritorno acqua	NO-return water valve
426	CM81572188/0	Scatola deriv. Remota	Remote version electrical box
428	CM19651028/0	Rubinetto a sfera D.16mm	Ball valve D16 mm
430	CM19651045/0	Rubinetto a sfera D.10mm	Ball valve D10 mm
432	CM18740038/0	Ventola 254 x 34	Fan blade 254x34
434	CM26103847/0	Bacinella (Opzionale)	Basin (Optional)
436	CM19180513/0	Condens. Ventil. Evap. 2 microF	Condens. Evap. Fan 2 microF
438	CM19180514/0	Condens. Ventil. Evap. 3,15 microF	Condens. Evap. Fan. 3,15 microF



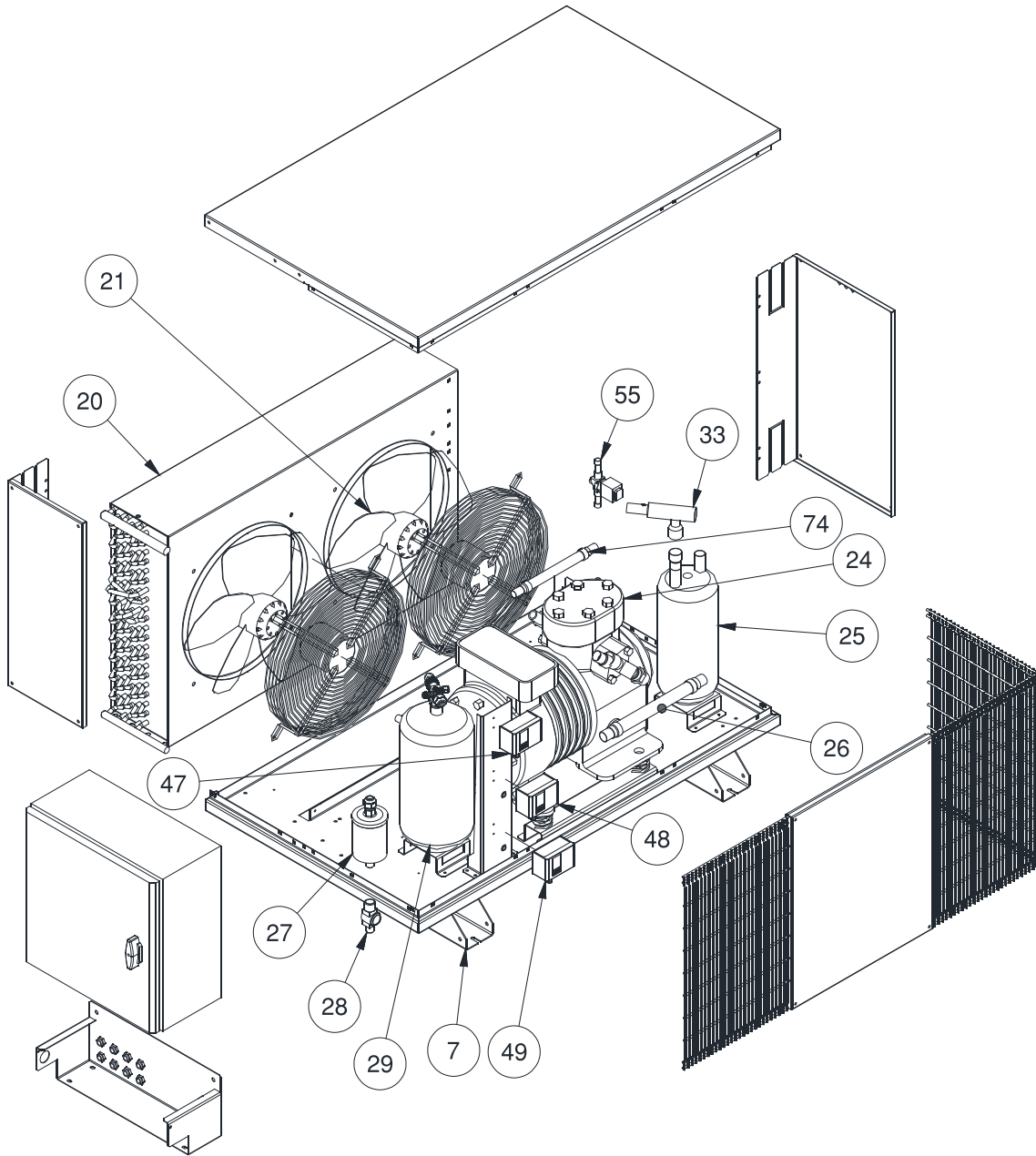


✱ *Ricambi consigliati - Recommended spare parts*

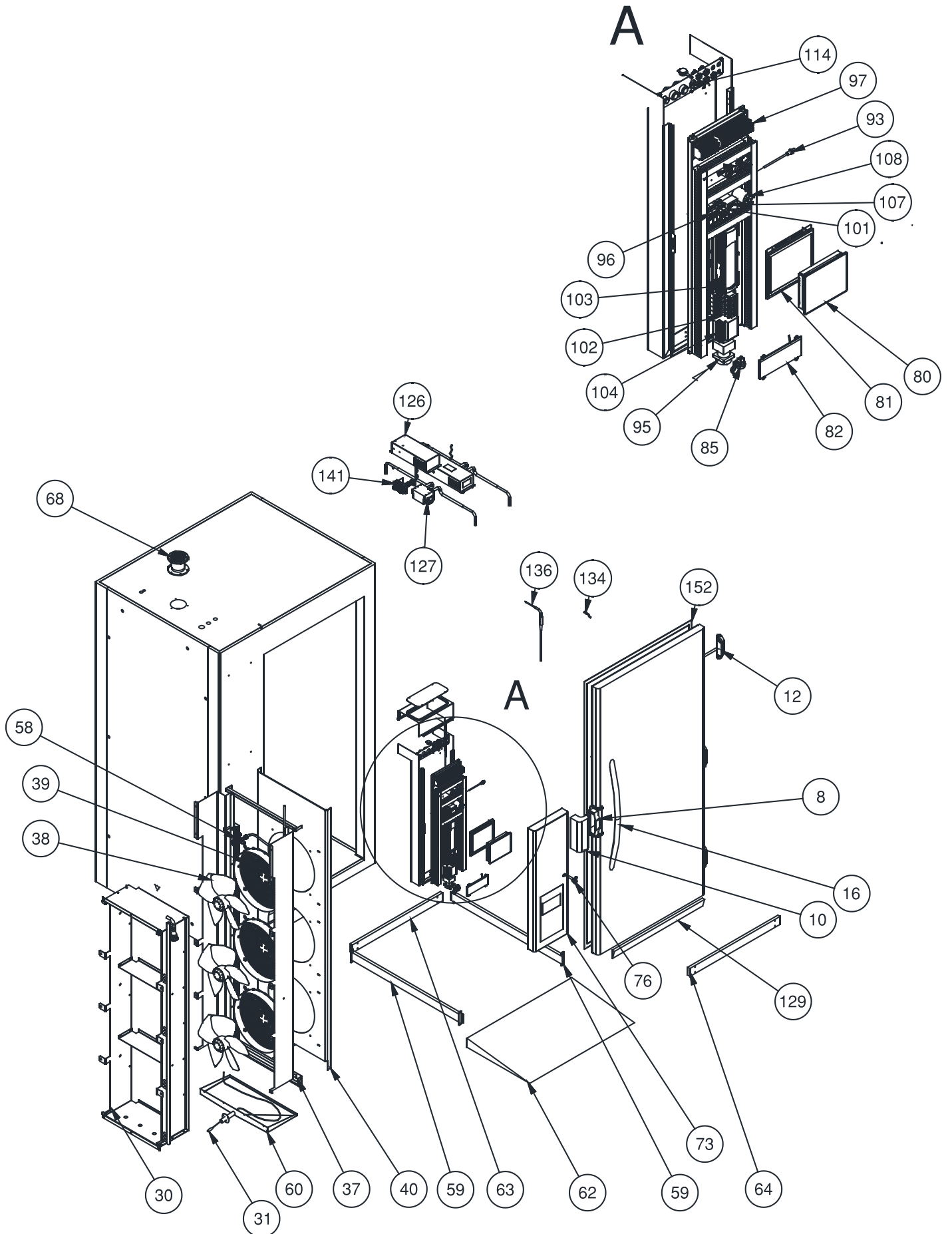
N°	CODICE/CODE	IT	EN
2	CM19353027/0	ASS. PORTA DX	RIGHT DOOR ASSY
2	CM19352028/0	ASS. PORTA SX	LEFT DOOR ASSY
3	CM28190007/0	MANIGLIA	HANDLE
6	CM19353101/0	CERNIERA	HINGE
8-9	CM19353024/0	BLOCCO PORTA	BOOR LOCK
23	CM26100067/0	PORTAVENTOLE	FAN SUPPORT
35	CM26107227/0	GRIGLIA VENTILATORE	FAN GRID
36	CM18562559/3	VENTILATORE EVAPORATORE	EVAPORATOR FAN
37	CM26105225/0	BOCCAGLIO	MOUTH PIECE
38	CM19270106/0	EVAPORATORE	EVAPORATOR
41	CM26100075/0	VASCETTA EVAPORATORE	EVAPORATOR TANK
57	CM19177108/0	CONDENSATORE ARIA	AIR CONDENSER
58	CM18562015/0	VENTIL. CONDENSATORE	CONDENSER FAN
60	CM19166049/0	COMPRESSORE	COMPRESSOR
63	CM19034025/0	ANTIVIBRANTE D22	VIBRATION ABSORBER D22
68	CM19301272/0	FILTRO GAS	GAS FILTER
70	CM19353068/0	INDICATORE LIQUIDO	LIQUID INDICATOR
72	CM19863034/0	VALVOLA GAS	GAS VALVE
75	CM19200006/0	VALVOLA TERMOSTATICA	THERMOSTATIC VALVE
81	CM19635364/0	RICEVITORE DI LIQUIDO	LIQUID RECEIVER
82	CM19650154/0	RUBINETTO GAS	GAS TAP
87	CM19870834/0	VALVOLE SICUREZZA	SAFETY VALVE
90	CM19034023/0	ANTIVIBRANTE D16	VIBRATION ABSORBER D16
95	CM19550629/0	PRESSOSTATO VENTIL. COND.	COND. FANS PRESSOSTAT
100	CM19550633/0	PRESSOSTATO MASSIMA 29.5 Bar	MAX PRESSOSTAT 29.5 BAR
107	CM26117308/0	CRUSCOTTO SUP.	UPPER DASHBOARD
108	CM81563942/1	PEDANA	FOOTBOARD
113	CM26117340/0	CRUSC.PORTA DX	RIGHT CONTROL PANEL
113	CM26117343/0	CRUSC.PORTA SX	LEFT CONTROL PANEL
114	CM26117341/0	COPERTURA CRUSCOTTO	DASHBOARD COVERAGE
115	CM26117302/0	TUBO PASSAGGIO CAVI	CABLE PASSAGE PIPE
118	CM26115147-0	PGD Touch 7" programm.	Programm. PGD Touch 7"
119	CM26107172/0	PIASTRA POSTER. FISSAGGIO TOUCH	TOUCH FIXING PLATE
120	CM33580309/0	PIASTRA ILLUMINANTE	ILLUMINATING PLATE
121	CM19263233/0	MEMBRANA TECNOMAC	MEMBRANE TECNOMAC
121	CM19263234/0	MEMBRANA ICEMATIC	MEMBRANE ICEMATIC
121	CM19263235/0	MEMBRANA NEUTRA	MEMBRANE NEUTRA
122	CM33580352/0	PRESA USB	USB SOCKET
129	CM33730740/0	TELERUTT. COMPRESSORE	COMPRESSOR TELERUCTOR
130	CM33730742/0	CONTATTO AUSILIARIO	AUXILIARY CONTACT
133	CM26117336/0	COPERCHIO SCATOLA ELETTR.	ELECTRIC COVER BOX
134	CM19180004/0	COND. ELETTR. 2.5 MICROF	ELECTRIC CAPACITOR 2.5 MF
135	CM33580288/0	OZONIZZATORE	OZONE GENERATOR
136	CM33065100/0	TRASFORMATORE 24V	TRANSFORMER 24V
137	CM33575057/0	ZOCCOLO RELAY	RELAY SOCKET
140	CM33580336/0	TAGLIO DI FASE VENTILATORE 4A	FAN CUT PHASE 4A
141	CM33580247/0	TAGLIO DI FASE RESISTENZA 8A	RESIST. CUT PHASE 8A
144	CM33580326/0	ALIMENTATORE 12VCC	POWER SUPPLY 12VCC
148	CM33500024/0	COPERCHIO PORTAFUSIBILI 5X20	FUSE COVER HOLDER 5X20
151	CM26115146-3	SCHEDA PCO PROGRAMMATA	PROGRAMMED PCBOARD PCO
160	CM33580316/0	SONDA CELLA-EVAPORATORE	EVAP-ROOM PROBE
161	CM33580328/0	SONDA PRODOTTO	PRODUCT PROBE
162	CM19353100/0	GUARNIZIONE PORTA	DOOR GASKET
163	CM33575036/0	RESISTENZA SCARICO	DISCHARGE RESISTANCE
164	CM33576327/0	RESISTENZA CORNICE PORTA	DOOR RESISTANCE

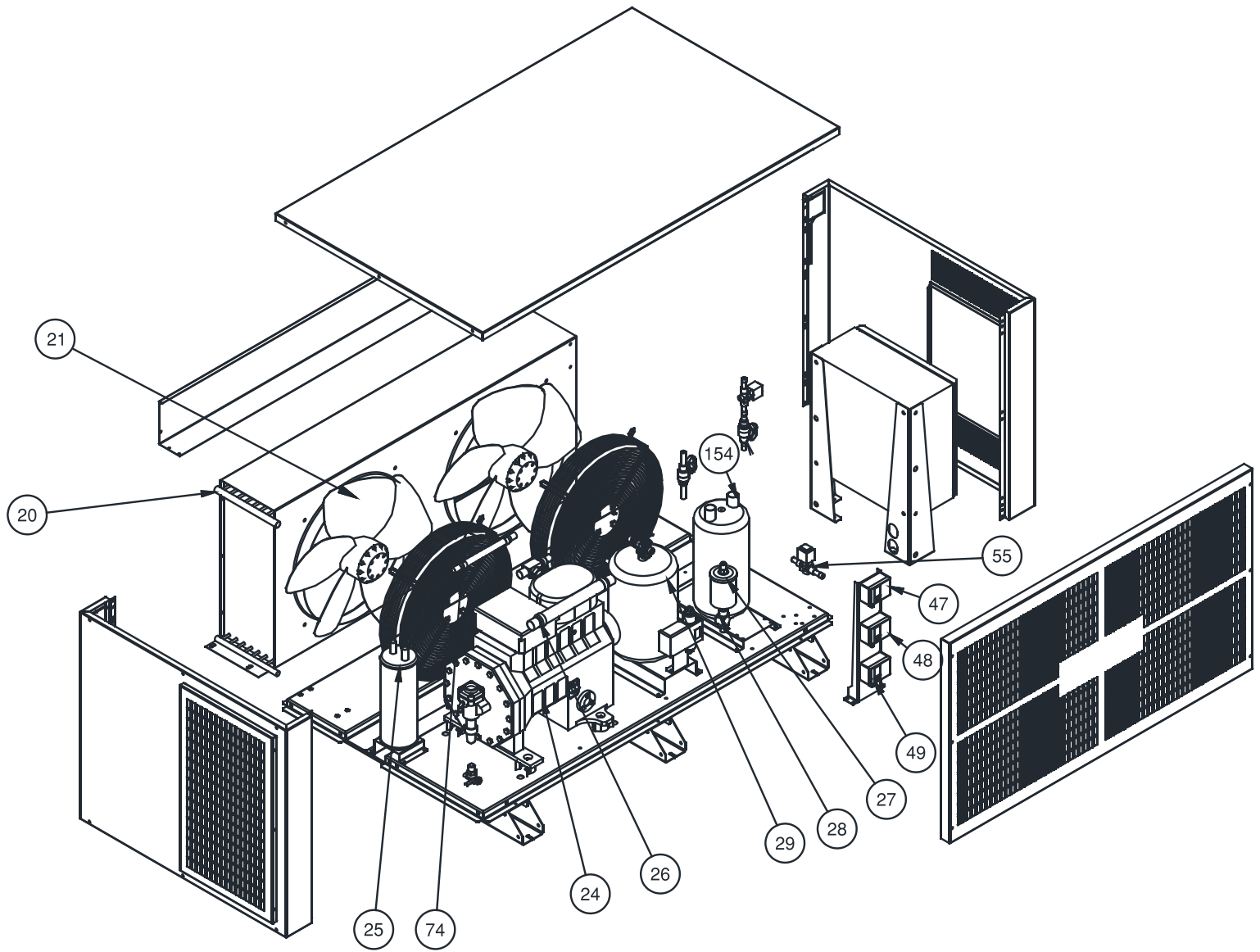




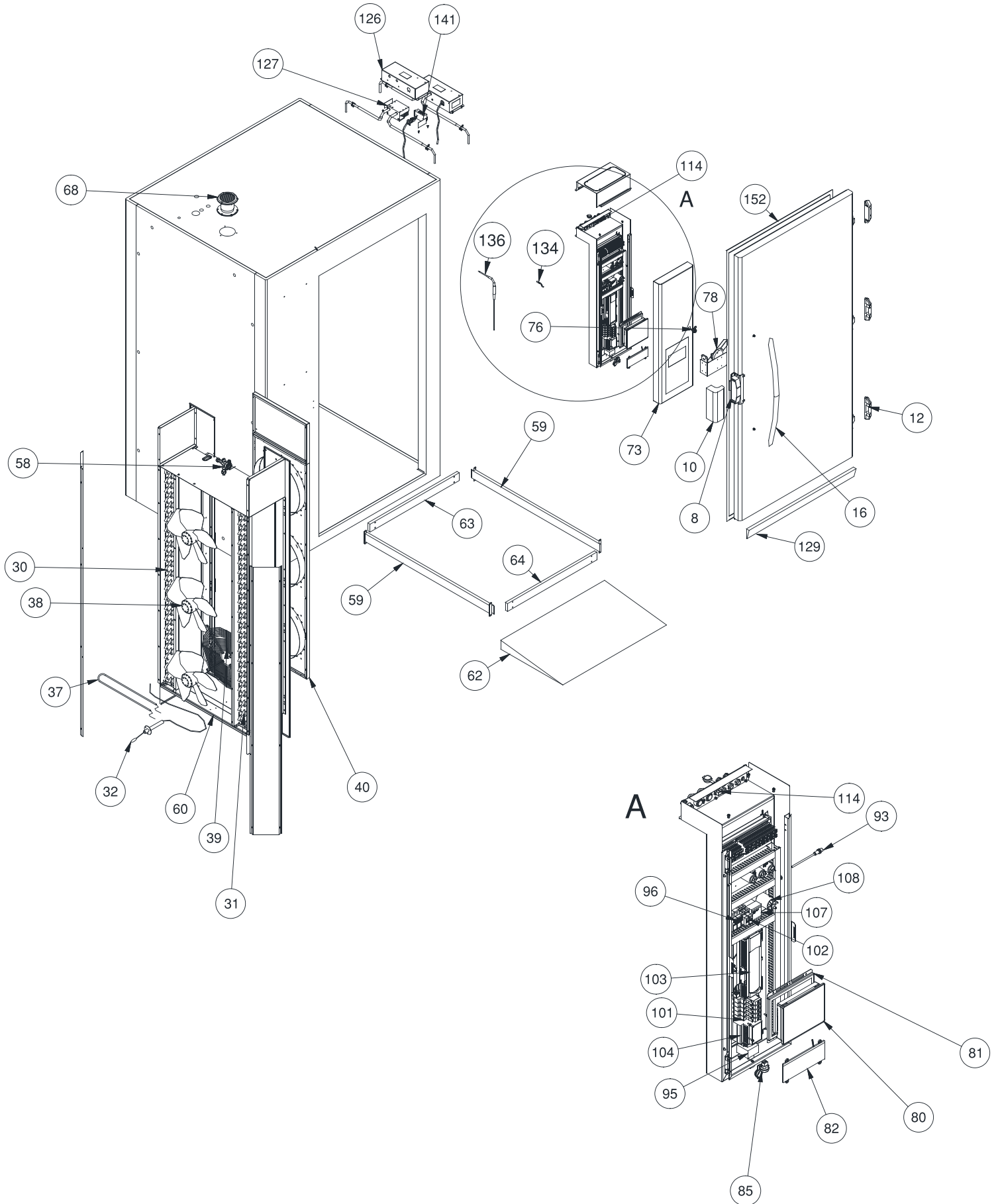


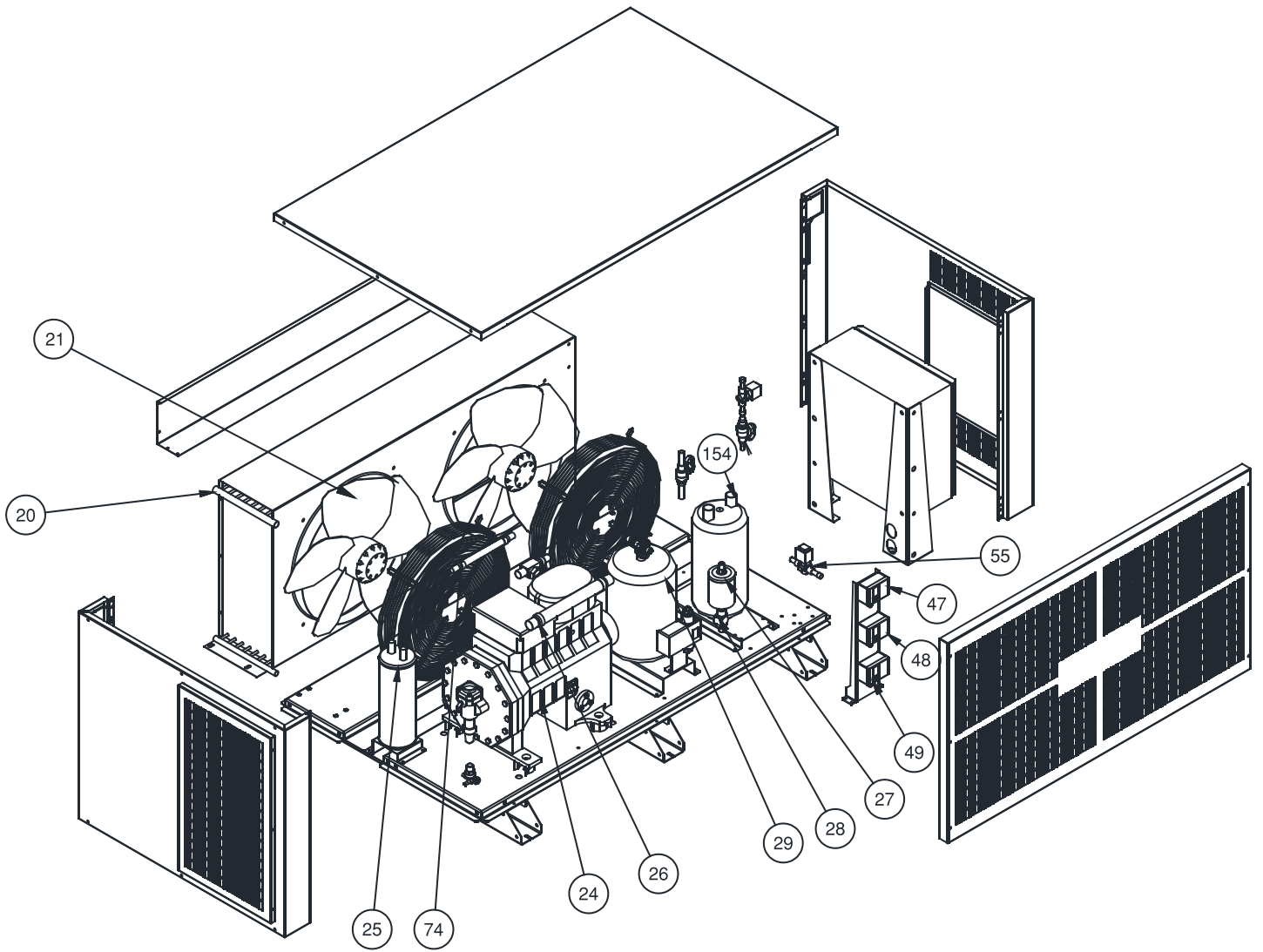
N°	CODICE/CODE	IT	EN
8	CM26110548/0	SCROCCO PORTA SINGOLA	SINGLE DOOR CLOSURE
	CM26110549/0	SCROCCO PORTA DOPPIA	DOUBLE DOOR CLOSURE
10	CM26117759/0	COPERTURA SCROCCO	CLOSURE COVER
12	CM19120419/0	CERNIERA	HINGE
16	CM28190007/0	MANIGLIA	HANDLE
20	CM19177080/0	CONDENSATORE	AIR CONDENSER
21	CM18562519/0	VENTILATORE CONDENSATORE	CONDENSER FAN
24	CM19165994/0	COMPRESSORE 50 HZ	COMPRESSOR 50 HZ
25	CM19660006/0	SEPARATORE LIQUIDO	LIQUID SEPARATOR
26	CM19034025/0	ANTIVIBRANTE D22	ANTI-VIBRATION D22
27	CM19301252/0	FILTRO GAS	GAS FILTER
28	CM19353069/0	INDICATORE DI LIQUIDO	LIQUID INDICATOR
29	CM19635352/0	RICEVITORE DI LIQUIDO	LIQUID RECEIVER
30	CM19270095/0	EVAPORATORE T30	EVAPORATOR T30
★ 31	CM33575036/0	RESISTENZA SCARICO	DRAIN RESISTANCE
33	CM19870512/0	VALVOLA LIMITATRICE	LIMITING VALVE
37	CM26116367/0	RINFORZO INFERIORE	LOWER REINFORCEMENT
38	CM18562590/0	VENTILATORE EVAPORATORE	EVAPORATOR FAN
39	CM26107240/0	GRIGLIA VENTILATORE	FAN GRID
40	CM26118749/0	PORTAVENTOLE	PORTAVENTOLE
47	CM19550624/0	PRESSOSTATO VENTILATORI	FANS PRESSURE SWITCH
48	CM19550302/0	PRESSOSTATO DI MASSIMA	MAXIMUM PRESSURE SWITCH
49	CM19550608/0	PRESSOSTATO DI MINIMA	MINIMUM PRESSURE SWITCH
55	CM19863038/0	ELETTRIVALVOLA GAS CALDO	HOT GAS ELECTRICAL VALVE
★ 58	CM19200002/0	CORPO VALVOLA TERMOSTATICA	THERMOSTATIC VALVE BODY
★	CM19470963/0	ORIFICIO VALVOLA	ORIFICIO VALVE
59	CM26114974/0	PARACOLPI INOX	STAINLESS STEEL BUMPERS
60	CM81559913/0	ASS. VASCHETTA EVAPORATORE	ASSY. EVAPORATOR PAN
62	CM81563221/1	ASS. PEDANA	ASSY. PLATFORM
63	CM26114973/0	PARACOLPI POSTERIORE	REAR BUMPERS
64	CM26114949/0	PARACOLPI INTERNO PORTA	INTERNAL DOOR BUMPERS
68	CM19864008/0	VALVOLA COMPENSAZIONE PRESS.	PRESS. COMPENSATION VALVE
73	CM81571389/0	PANNELLO COMANDI	CONTROL PANEL
74	CM19034023/0	ANTIVIBRANTE D16	ANTIVIBRATING D16
76	CM19680656/0	SERRATURA	DOOR LOCK
★ 80	CM26115147-0	PGD Touch 7" programm.	Programm. PGD Touch 7"
81	CM26107172/0	PIASTRA BLOCCA TOUCH	TOUCH BLOCK PLATE
★ 82	CM33580309/0	PIASTRA LED	LED PLATE
85	CM33580291/0	PRESA USB	USB SOCKET
93	CM33580132/0	MICRO PORTA	MICRO DOOR
95	CM33730733/0	INTERRUTTORE PANN. COMANDI	PANEL SWITCH COMMANDS
96	CM33565117/0	PORTAFUSIBILI	FUSE
★ 103	CM26115146-3	SCHEDA PCO PROGRAMMATA	PROGRAMMED PCBOARD PCO
★ 104	CM33065132/0	ALIMENTATORE 24VDC	POWER SUPPLY 24VDC
107	CM33730736/0	TELERUTTORE	POWER RELAY
108	CM33580343/0	FILTRO EMC	EMC FILTER
114	CM33580353/0	PRESA RJ45	RJ45 SOCKET
126	CM26110125/0	COPERTURA OZONO	OZONE COVER
127	CM33580288/0	GENERATORE OZONO	OZONE GENERATOR
129	CM19353094/0	GUARNIZIONE INFERIORE	LOWER GASKET
★ 134	CM33580316/0	SONDA CELLA-EVAPORATORE	PROBE ROOM-EVAPORATOR
★ 136	CM33580328/0	SONDA PRODOTTO	PRODUCT PROBE
★ 141	CM33580326/0	ALIMENTATORE 12 VCC	12 VDC POWER SUPPLY
★ 152	CM19353102	GUARNIZIONE PORTA	DOOR GASKET
★ 101-102	CM33575058/0	RELE	RELAY
★	CM33575057/0	BASE RELE	RELAY BASE





N°	CODICE/CODE	IT	EN	
8	CM26110548/0	SCROCCO PORTA SINGOLA	SINGLE DOOR CLOSURE	
8	CM26110549/0	SCROCCO PORTA DOPPIA	DOUBLE DOOR CLOSURE	
10	CM26117759/0	COPERTURA SCROCCO	CLOSURE COVER	
12	CM19120419/0	CERNIERA	HINGE	
16	CM28190007/0	MANIGLIA	HANDLE	
20	CM19177090/0	CONDENSATORE	AIR CONDENSER	
21	CM18562563/0	VENTILATORE CONDENSATORE	CONDENSER FAN	
24	CM19166095/0	COMPRESSORE 50 HZ	COMPRESSOR 50 HZ	
25	CM19660011/0	SEPARATORE OLIO	OIL SEPARATOR	
26	CM19034011/0	ANTIVIBRANTE D29	ANTI-VIBRATION D29	
27	CM19301252/0	FILTRO GAS	GAS FILTER	
28	CM19353069/0	INDICATORE DI LIQUIDO	LIQUID INDICATOR	
29	CM19635361/0	RICEVITORE DI LIQUIDO	LIQUID RECEIVER	
30	CM19270095/0	EVAPORATORE T30	EVAPORATOR T30	
★	31	CM33575036/0	RESISTENZA SCARICO	DRAIN RESISTANCE
37	CM26116367/0	RINFORZO INFERIORE	LOWER REINFORCEMENT	
38	CM18562590/0	VENTILATORE EVAPORATORE	EVAPORATOR FAN	
39	CM26107240/0	GRIGLIA VENTILATORE	FAN GRID	
40	CM26118749/0	PORTAVENTOLE	PORTAVENTOLE	
47	CM19550624/0	PRESSOSTATO VENTILATORI	FANS PRESSURE SWITCH	
48	CM19550302/0	PRESSOSTATO DI MASSIMA	MAXIMUM PRESSURE SWITCH	
49	CM19550608/0	PRESSOSTATO DI MINIMA	MINIMUM PRESSURE SWITCH	
55	CM19863050/0	ELETTRIVALVOLA GAS CALDO	HOT GAS ELECTRICAL VALVE	
★	58	CM19200002/0	CORPO VALVOLA TERMOSTATICA	THERMOSTATIC VALVE BODY
★	58	CM19470962/0	ORIFICIO VALVOLA	ORIFICIO VALVE
59	CM26114974/0	PARACOLPI INOX	STAINLESS STEEL BUMPERS	
60	CM81559913/0	ASS. VASCHETTA EVAPORATORE	ASSY. EVAPORATOR PAN	
62	CM81563221/1	ASS. PEDANA	ASSY. PLATFORM	
63	CM26114973/0	PARACOLPI POSTERIORE	REAR BUMPERS	
64	CM26114949/0	PARACOLPI INTERNO PORTA	INTERNAL DOOR BUMPERS	
68	CM19864008/0	VALVOLA COMPENSAZIONE PRESS.	PRESS. COMPENSATION VALVE	
73	CM81571389/0	PANNELLO COMANDI	CONTROL PANEL	
74	CM19034023/0	ANTIVIBRANTE D16	ANTIVIBRATING D16	
76	CM19680656/0	SERRATURA	DOOR LOCK	
★	80	CM26115147-0	PGD Touch 7" programm.	Programm. PGD Touch 7"
81	CM26107172/0	PIASTRA BLOCCA TOUCH	TOUCH BLOCK PLATE	
★	82	CM33580309/0	PIASTRA LED	LED PLATE
85	CM33580291/0	PRESA USB	USB SOCKET	
93	CM33580132/0	MICRO PORTA	MICRO DOOR	
95	CM33730733/0	INTERRUTTORE PANN. COMANDI	PANEL SWITCH COMMANDS	
96	CM33565117/0	PORTAFUSIBILI	FUSE	
★	103	CM26115146-3	SCHEDA PCO PROGRAMMATA	PROGRAMMED PCBOARD PCO
★	104	CM33065132/0	ALIMENTATORE 24VDC	POWER SUPPLY 24VDC
107	CM33730736/0	TELERUTTORE	POWER RELAY	
108	CM33580343/0	FILTRO EMC	EMC FILTER	
114	CM33580353/0	PRESA RJ45	RJ45 SOCKET	
126	CM26110125/0	COPERTURA OZONO	OZONE COVER	
127	CM33580288/0	GENERATORE OZONO	OZONE GENERATOR	
129	CM19353094/0	GUARNIZIONE INFERIORE	LOWER GASKET	
★	134	CM33580316/0	SONDA CELLA-EVAPORATORE	PROBE ROOM-EVAPORATOR
★	136	CM33580328/0	SONDA PRODOTTO	PRODUCT PROBE
★	141	CM33580326/0	ALIMENTATORE 12 VCC	12 VDC POWER SUPPLY
★	152	CM19353102	GUARNIZIONE PORTA	DOOR GASKET
154	CM19660005/0	SEPARATORE LIQUIDO	LIQUID SEPARATOR	
★	101-102	CM33575058/0	RELE	RELAY
★	101-102	CM33575057/0	BASE RELE	RELAY BASE

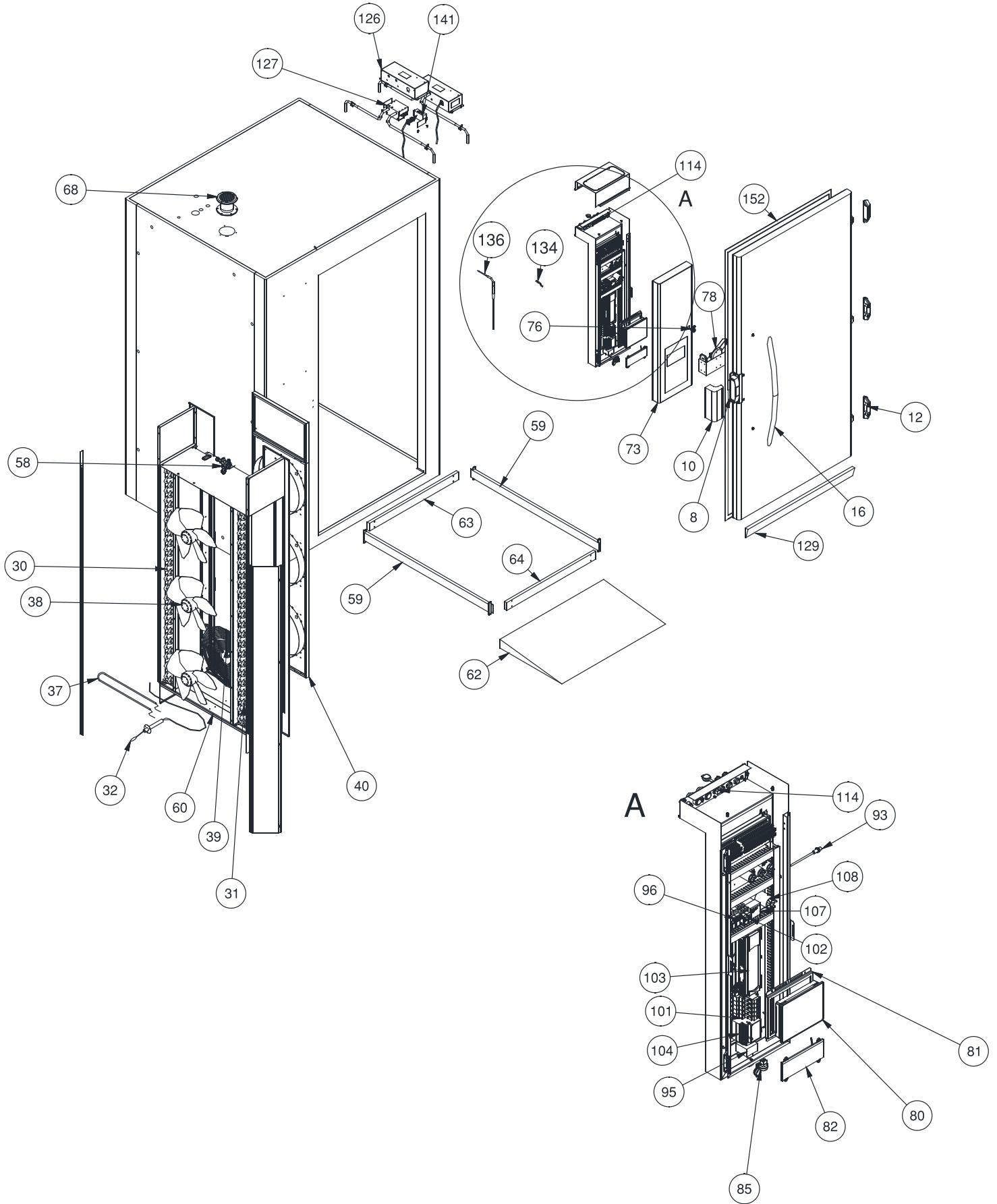


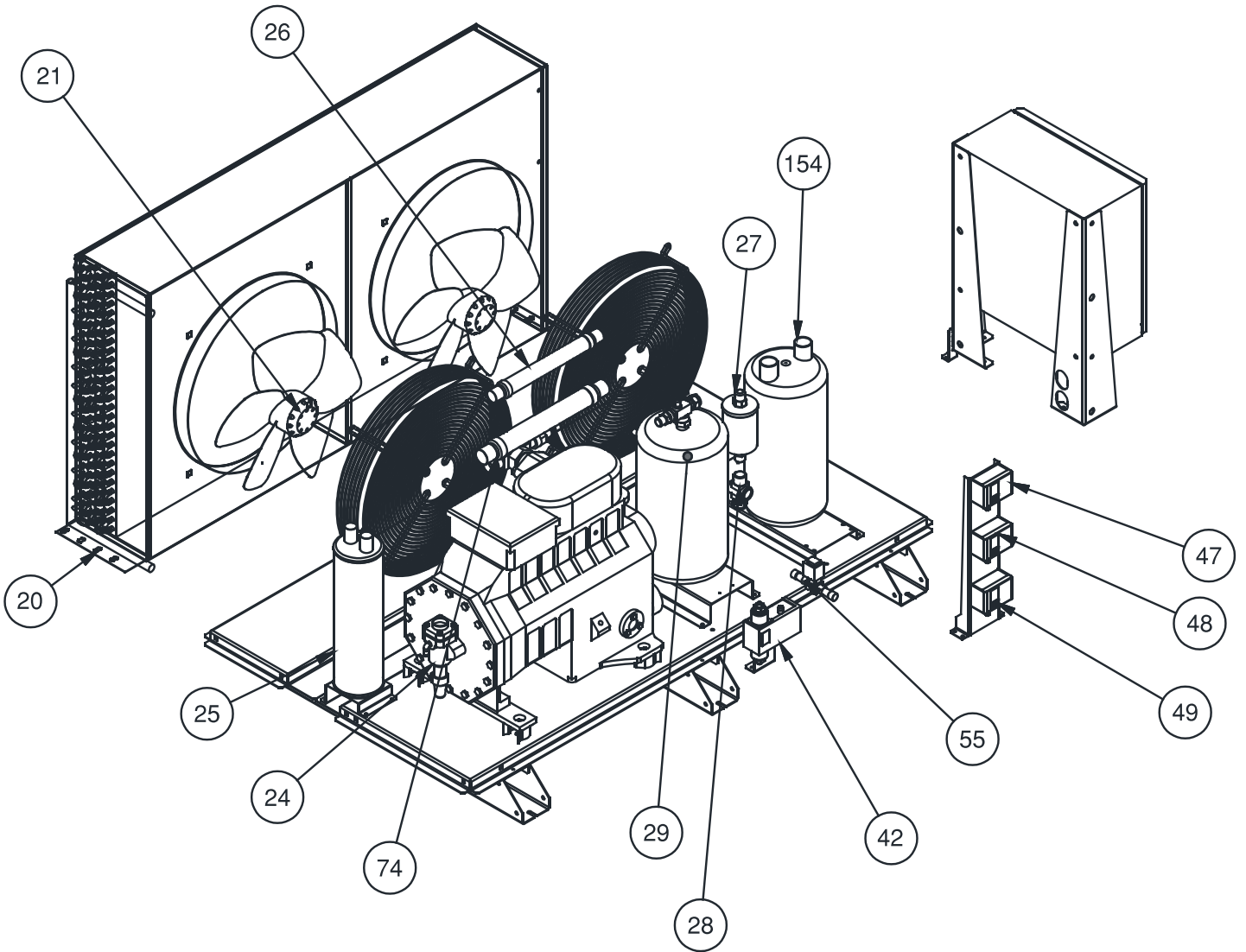




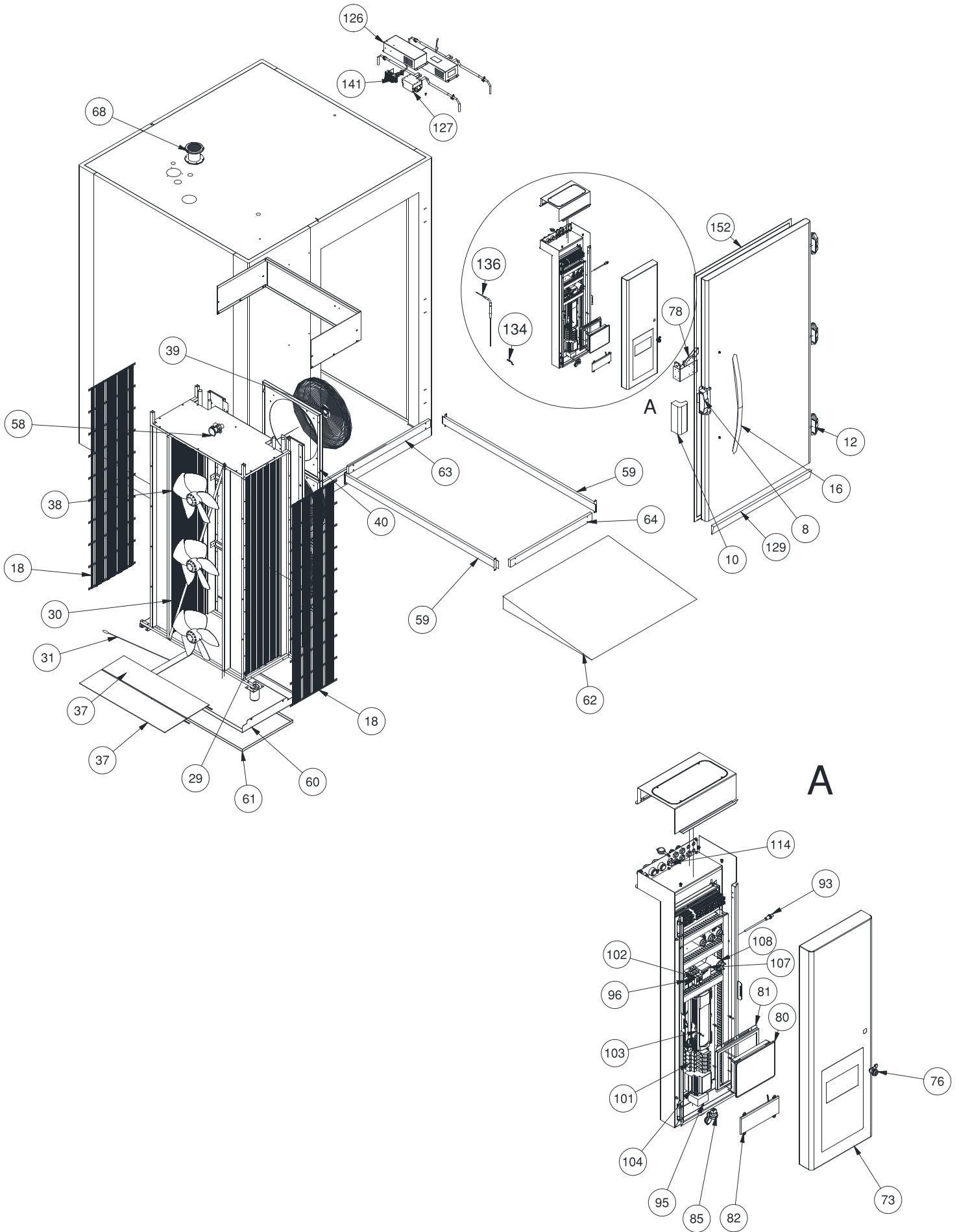
N°	CODICE/CODE	IT	EN	
8	CM26110548/0	SCROCCO PORTA SINGOLA	SINGLE DOOR CLOSURE	
8	CM26110549/0	SCROCCO PORTA DOPPIA	DOUBLE DOOR CLOSURE	
10	CM26117759/0	COPERTURA SCROCCO	CLOSURE COVER	
12	CM19120419/0	CERNIERA	HINGE	
16	CM28190007/0	MANIGLIA	HANDLE	
20	CM19177090/0	CONDENSATORE	AIR CONDENSER	
21	CM18562563/0	VENTILATORE CONDENSATORE	CONDENSER FAN	
24	CM19166095/0	COMPRESSORE 50 HZ	COMPRESSOR 50 HZ	
25	CM19660011/0	SEPARATORE OLIO	OIL SEPARATOR	
26	CM19034011/0	ANTIVIBRANTE D29	ANTI-VIBRATION D29	
27	CM19301252/0	FILTRO GAS	GAS FILTER	
28	CM19353069/0	INDICATORE DI LIQUIDO	LIQUID INDICATOR	
29	CM19635361/0	RICEVITORE DI LIQUIDO	LIQUID RECEIVER	
30	CM19040412/1	EVAPORATORE SX T40	LEFT EVAPORATOR T40	
31	CM19040413/1	EVAPORATORE DX T40	RIGHT EVAPORATOR T40	
★	32	CM33575105/0	RESISTENZA SCARICO	DRAIN RESISTANCE
37	CM33575101/0	RESISTENZA CONVOGLIATORE	CONVEYOR RESISTANCE	
38	CM18562590/0	VENTILATORE EVAPORATORE	EVAPORATOR FAN	
39	CM26107240/0	GRIGLIA VENTILATORE	FAN GRID	
40	CM81564418/0	PORTAVENTOLE	PORTAVENTOLE	
47	CM19550624/0	PRESSOSTATO VENTILATORI	FANS PRESSURE SWITCH	
48	CM19550302/0	PRESSOSTATO DI MASSIMA	MAXIMUM PRESSURE SWITCH	
49	CM19550608/0	PRESSOSTATO DI MINIMA	MINIMUM PRESSURE SWITCH	
55	CM19863050/0	ELETTROVALVOLA GAS CALDO	HOT GAS ELECTRICAL VALVE	
★	58	CM19870850/0	CORPO VALVOLA TERMOSTATICA	THERMOSTATIC VALVE BODY
★	58	CM19870864/0	ORIFICIO VALVOLA	ORIFICIO VALVE
59	CM26114951/0	PARACOLPI INOX	STAINLESS STEEL BUMPERS	
60	CM81565706/0	ASS. VASCHETTA EVAPORATORE	ASSY. EVAPORATOR PAN	
62	CM81563221/1	ASS. PEDANA	ASSY. PLATFORM	
63	CM26114954/0	PARACOLPI POSTERIORE	REAR BUMPERS	
64	CM26114949/0	PARACOLPI INTERNO PORTA	INTERNAL DOOR BUMPERS	
68	CM19864008/0	VALVOLA COMPENSAZIONE PRESS.	PRESS. COMPENSATION VALVE	
73	CM81571389/0	PANNELLO COMANDI	CONTROL PANEL	
74	CM19034023/0	ANTIVIBRANTE D16	ANTIVIBRATING D16	
76	CM19680656/0	SERRATURA	DOOR LOCK	
78	CM19360098/0	MANIGLIA INTERNA	INTERNAL HANDLE	
★	80	CM26115147-0	PGD Touch 7" programm.	Programm. PGD Touch 7"
81	CM26107172/0	PIASTRA BLOCCA TOUCH	TOUCH BLOCK PLATE	
★	82	CM33580309/0	PIASTRA LED	LED PLATE
85	CM33580291/0	PRESA USB	USB SOCKET	
93	CM33580132/0	MICRO PORTA	MICRO DOOR	
95	CM33730733/0	INTERRUTTORE PANN. COMANDI	PANEL SWITCH COMMANDS	
96	CM33565117/0	PORTAFUSIBILI	FUSE	
★	103	CM26115146-3	SCHEDA PCO PROGRAMMATA	PROGRAMMED PCBOARD PCO
★	104	CM33065132/0	ALIMENTATORE 24VDC	POWER SUPPLY 24VDC
107	CM33730736/0	TELERUTTORE	POWER RELAY	
108	CM33580343/0	FILTRO EMC	EMC FILTER	
114	CM33580353/0	PRESA RJ45	RJ45 SOCKET	
126	CM26110125/0	COPERTURA OZONO	OZONE COVER	
127	CM33580288/0	GENERATORE OZONO	OZONE GENERATOR	
129	CM19353094/0	GUARNIZIONE INFERIORE	LOWER GASKET	
★	134	CM33580316/0	SONDA CELLA-EVAPORATORE	PROBE ROOM-EVAPORATOR
★	136	CM33580328/0	SONDA PRODOTTO	PRODUCT PROBE
★	141	CM33580326/0	ALIMENTATORE 12 VCC	12 VDC POWER SUPPLY
★	152	CM19353089/0	GUARNIZIONE PORTA	DOOR GASKET
154	CM19660005/0	SEPARATORE LIQUIDO	LIQUID SEPARATOR	
★	101-102	CM33575058/0	RELE	RELAY
★	101-102	CM33575057/0	BASE RELE	RELAY BASE







N°	CODICE/CODE	IT	EN
8	CM26110548/0	SCROCCO PORTA SINGOLA	SINGLE DOOR CLOSURE
8	CM26110549/0	SCROCCO PORTA DOPPIA	DOUBLE DOOR CLOSURE
10	CM26117759/0	COPERTURA SCROCCO	CLOSURE COVER
12	CM19120419/0	CERNIERA	HINGE
16	CM28190007/0	MANIGLIA	HANDLE
20	CM19177093/0	CONDENSATORE	AIR CONDENSER
21	CM18562563/0	VENTILATORE CONDENSATORE	CONDENSER FAN
24	CM19166096/0	COMPRESSORE 50 HZ	COMPRESSOR 50 HZ
25	CM19660012/0	SEPARATORE OLIO	OIL SEPARATOR
26	CM19034011/0	ANTIVIBRANTE D29	ANTI-VIBRATION D29
27	CM19301259/0	FILTRO GAS	GAS FILTER
28	CM19353066/0	INDICATORE DI LIQUIDO	LIQUID INDICATOR
29	CM19635362/0	RICEVITORE DI LIQUIDO	LIQUID RECEIVER
30	CM19040412/1	EVAPORATORE SX T40	LEFT EVAPORATOR T40
31	CM19040413/1	EVAPORATORE DX T40	RIGHT EVAPORATOR T40
32	CM33575105/0	RESISTENZA SCARICO	DRAIN RESISTANCE
37	CM33575101/0	RESISTENZA CONVOGLIATORE	CONVEYOR RESISTANCE
38	CM18562590/0	VENTILATORE EVAPORATORE	EVAPORATOR FAN
39	CM26107240/0	GRIGLIA VENTILATORE	FAN GRID
40	CM81564418/0	PORTAVENTOLE	PORTAVENTOLE
42	CM19550627/0	PRESSOSTATO DIFFERENZIALE	DIFFERENTIAL PRESSOSTAT
47	CM19550624/0	PRESSOSTATO VENTILATORI	FANS PRESSURE SWITCH
48	CM19550302/0	PRESSOSTATO DI MASSIMA	MAXIMUM PRESSURE SWITCH
49	CM19550608/0	PRESSOSTATO DI MINIMA	MINIMUM PRESSURE SWITCH
55	CM19863050/0	ELETTROVALVOLA GAS CALDO	HOT GAS ELECTRICAL VALVE
58	CM19870850/0	CORPO VALVOLA TERMOSTATICA	THERMOSTATIC VALVE BODY
58	CM19870864/0	ORIFICIO VALVOLA	ORIFICIO VALVE
59	CM26114951/0	PARACOLPI INOX	STAINLESS STEEL BUMPERS
60	CM81565706/0	ASS. VASCHETTA EVAPORATORE	ASSY. EVAPORATOR PAN
62	CM81563221/1	ASS. PEDANA	ASSY. PLATFORM
63	CM26114954/0	PARACOLPI POSTERIORE	REAR BUMPERS
64	CM26114949/0	PARACOLPI INTERNO PORTA	INTERNAL DOOR BUMPERS
68	CM19864008/0	VALVOLA COMPENSAZIONE PRESS.	PRESS. COMPENSATION VALVE
73	CM81571389/0	PANNELLO COMANDI	CONTROL PANEL
74	CM19034012/0	ANTIVIBRANTE D35	ANTIVIBRATING D35
76	CM19680656/0	SERRATURA	DOOR LOCK
78	CM19360098/0	MANIGLIA INTERNA	INTERNAL HANDLE
80	CM26115147-0	PGD Touch 7" programm.	Programm. PGD Touch 7"
81	CM26107172/0	PIASTRA BLOCCA TOUCH	TOUCH BLOCK PLATE
82	CM33580309/0	PIASTRA LED	LED PLATE
85	CM33580291/0	PRESA USB	USB SOCKET
93	CM33580132/0	MICRO PORTA	MICRO DOOR
95	CM33730733/0	INTERRUTTORE PANN. COMANDI	PANEL SWITCH COMMANDS
96	CM33565117/0	PORTAFUSIBILI	FUSE
103	CM26115146-3	SCHEDA PCO PROGRAMMATA	PROGRAMMED PCBOARD PCO
104	CM33065132/0	ALIMENTATORE 24VDC	POWER SUPPLY 24VDC
107	CM33730736/0	TELERUTTORE	POWER RELAY
108	CM33580343/0	FILTRO EMC	EMC FILTER
114	CM33580353/0	PRESA RJ45	RJ45 SOCKET
126	CM26110125/0	COPERTURA OZONO	OZONE COVER
127	CM33580288/0	GENERATORE OZONO	OZONE GENERATOR
129	CM19353094/0	GUARNIZIONE INFERIORE	LOWER GASKET
134	CM33580316/0	SONDA CELLA-EVAPORATORE	PROBE ROOM-EVAPORATOR
136	CM33580328/0	SONDA PRODOTTO	PRODUCT PROBE
141	CM33580326/0	ALIMENTATORE 12 VCC	12 VDC POWER SUPPLY
152	CM19353089/0	GUARNIZIONE PORTA	DOOR GASKET
154	CM19660007/0	SEPARATORE LIQUIDO	LIQUID SEPARATOR
101-102	CM33575058/0	RELE	RELAY
101-102	CM33575057/0	BASE RELE	RELAY BASE



N°	CODICE/CODE	IT	EN
8	CM26110548/0	SCROCCO PORTA SINGOLA	SINGLE DOOR CLOSURE
8	CM26110549/0	SCROCCO PORTA DOPPIA	DOUBLE DOOR CLOSURE
10	CM26117759/0	COPERTURA SCROCCO	CLOSURE COVER
12	CM19120419/0	CERNIERA	HINGE
16	CM28190007/0	MANIGLIA	HANDLE
18	CM26107205/0	GRIGLIA PROTEZIONE	PROTECTION GRILL
29	CM19270092/0	EVAPORATORE SX T50	LEFT EVAPORATOR T50
30	CM19270093/0	EVAPORATORE DX T50	RIGHT EVAPORATOR T50
★ 31	CM33575036/0	RESISTENZA SCARICO	DRAIN RESISTANCE
37	CM33575123/0	RESISTENZA CONVOGLIATORE	CONVEYOR RESISTANCE
★ 38	CM18562591/0	VENTILATORE EVAPORATORE	EVAPORATOR FAN
39	CM18562551/0	GRIGLIA VENTILATORE	FAN GRID
40	CM26114294/0	PORTAVENTOLE	PORTAVENTOLE
★ 58	CM19870857/0	VALVOLA TERMOSTATICA	THERMOSTATIC VALVE
59	CM26114964/0	PARACOLPI INOX	STAINLESS STEEL BUMPERS
60	CM26119937/0	ASS. VASCHETTA EVAPORATORE	ASSY. EVAPORATOR PAN
61	CM26114963/0	PROTEZIONE VASCHETTA	PAN PROTECTION
62	CM81563217/1	ASS. PEDANA	ASSY. PLATFORM
63	CM26114954/0	PARACOLPI POSTERIORE	REAR BUMPERS
64	CM26114949/0	PARACOLPI INTERNO PORTA	INTERNAL DOOR BUMPERS
68	CM19864008/0	VALVOLA COMPENSAZIONE PRESS.	PRESS. COMPENSATION VALVE
73	CM81571389/0	PANNELLO COMANDI	CONTROL PANEL
76	CM19680656/0	SERRATURA	DOOR LOCK
78	CM19360098/0	MANIGLIA INTERNA	INTERNAL HANDLE
★ 80	CM26115147-0	PGD Touch 7" programm.	Programm. PGD Touch 7"
81	CM26107172/0	PIASTRA BLOCCA TOUCH	TOUCH BLOCK PLATE
★ 82	CM33580309/0	PIASTRA LED	LED PLATE
85	CM33580291/0	PRESA USB	USB SOCKET
93	CM33580132/0	MICRO PORTA	MICRO DOOR
95	CM33730733/0	INTERRUTTORE PANN. COMANDI	PANEL SWITCH COMMANDS
96	CM33565117/0	PORTAFUSIBILI	FUSE
★ 103	CM26115146-3	SCHEDA PCO PROGRAMMATA	PROGRAMMED PCBOARD PCO
★ 104	CM33065132/0	ALIMENTATORE 24VDC	POWER SUPPLY 24VDC
107	CM33730736/0	TELERUTTORE	POWER RELAY
108	CM33580343/0	FILTRO EMC	EMC FILTER
114	CM33580353/0	PRESA RJ45	RJ45 SOCKET
126	CM26110125/0	COPERTURA OZONO	OZONE COVER
127	CM33580288/0	GENERATORE OZONO	OZONE GENERATOR
129	CM19353094/0	GUARNIZIONE INFERIORE	LOWER GASKET
★ 134	CM33580316/0	SONDA CELLA-EVAPORATORE	PROBE ROOM-EVAPORATOR
★ 136	CM33580328/0	SONDA PRODOTTO	PRODUCT PROBE
★ 141	CM33580326/0	ALIMENTATORE 12 VCC	12 VDC POWER SUPPLY
★ 152	CM19353089/0	GUARNIZIONE PORTA	DOOR GASKET
★ 101-102	CM33575058/0	RELE	RELAY
★ 101-102	CM33575057/0	BASE RELE	RELAY BASE



**Le unità condensanti dei CT50 , essendo realizzate come versioni speciali , non hanno i disegni esplosi / The CT50 condensing units, being made as special versions, do not have the spart parts drawings**

---

Il Fabbricante si riserva il diritto di apportare modifiche sia tecniche che estetiche senza preavviso. The manufacturer reserves the right to change models and specifications without prior notice.

71503155/0 - rev. 06 12/2020