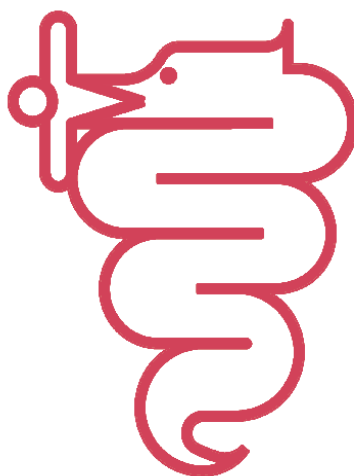


ARCADIA



BEZZERA

Dal 1901

TABLE 1
Mod. DISPLAY - DE

POS	CODE	DESCRIPTION
1	5964669	ASSEMBLY CHASSIS 2GR
1	5964668	ASSEMBLY CHASSIS 1GR
1	5964670	ASSEMBLY CHASSIS 3GR
2	5035729LL	REAR CROSSPIECE-ARCADIA FRAME 2GRC/B
2	5035731LL	REAR CROSSPIECE-ARCADIA FRAME 1GRC/B
2	5035730LL	REAR CROSSPIECE-ARCADIA FRAME 3GRC/B
3	7816002	SCREW TCEI M4X12
4	7474215	FEET
5	5302011	FITTING 3/8"G ES22 H28 OT
6	5344039	ASSEMBLY REGULATOR ASSEMBLY ARCADIA 2-3GR
6	5344041	PRESSURE REGULATOR ASSY-ARCADIA 1GR
7	7402411	PRESSURE REGULATOR
8	7304536TR	UNION ELBOW D6 1/8"G RUVECO
9	7304535TR	T FITTING D6 1/8"G RUVECO
10	7451504	ASSEMBLY TAP
11	5221869	WASHER D14 X 20 X 1.5 COPPER
12	5302078	FITTING 3/8"GX1/4"G ES22 H28 OT 011
13	5492011	GASKET D15X3
14	5221819	CAP NUT 3/8"G
15	7816418	SCREW TE M6X25 UNI 5739 A2
16	7821403	NUT M6 UNI 5587 OT
17	7804002	FAN WASHER D6 DIN 6798A
18	5344040	ASSEMBLY LOAD FITTING ARCADIA
19	7304530TR	T FITTING 3/8"G FFM RUVECO
20	7304527TR	FITTING D8 3/8"G RUVECO
21	5302057	FITTING 1/8" X 3/8"G OT
22	7304536TR	UNION ELBOW D6 1/8"G RUVECO

TABLE 1
Mod. DISPLAY - DE

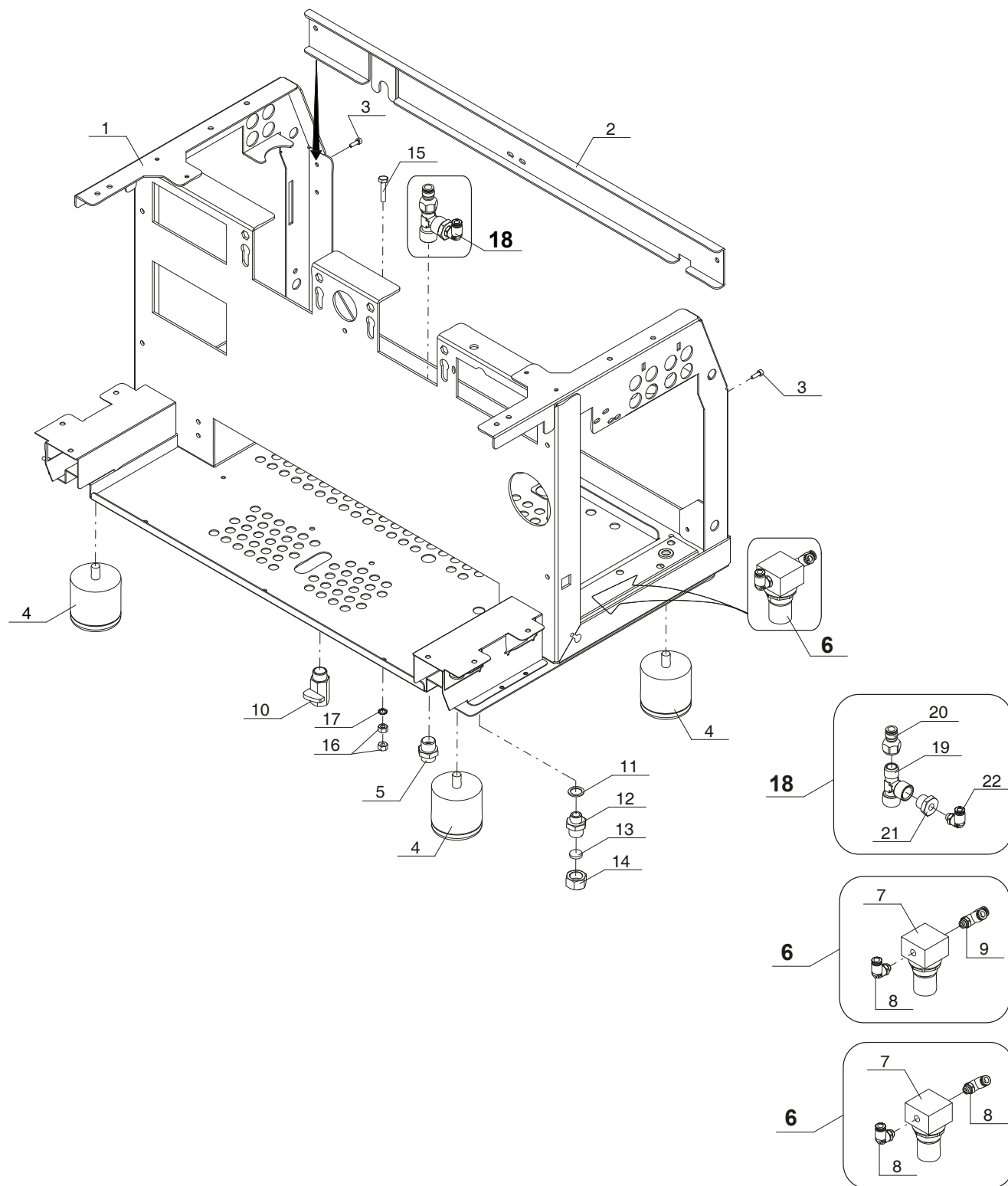




TABLE 2
Mod. DISPLAY - DE

POS	CODE	DESCRIPTION
1	5961778	ASSY REAR ARCADIA 2GR SAT.
1	5961777	ASSY REAR 1GR. SAT.
1	5961779	ASSY REAR 3GR. SAT.
2	5963134	REAR PLEXY SUPPORT ASSEMBLY-ARCADIA
3	5095252LW	REAR 2GR
3	5095251LW	REAR 1GR.
3	5095253LW	REAR 3GR.
4	7819919	SCREW TTEI M4X16 ISO 7380 A2
5	7812601	NUT M4 STAINLESS STEEL UNI 5588
6	7804401	WASHER TYPE A D.4,3X8
7	5370011	REAR PANEL PLEX ARCADIA SP.10 TRASP.
8	7816002	SCREW TCEI M4X12
9	5056341LW	CUP-HEATER ARCADIA 2GR
9	5056343LW	CUPS-HEATER 1GR.
9	5056342LW	CUPS-HEATER 3GR.
10	5074653LW	CUPS-HEATER GRID ARCADIA 2/3GR
11	5340529	TRAY COMPL.-ARCADIA 2GR SAT.
11	5340528	TRAY COMPL.-ARCADIA 1GR SAT.
11	5340530	TRAY COMPL.-ARCADIA 3GR SAT.
12	5074654LW	DRAIN GRID 2GR.
12	5074660LW	DRAIN GRID 1GR.
12	5074656LW	DRAIN GRID 3GR.
13	5074655LW	COFFEE CUPS GRID ARCADIA 2/3GR
14	5094900SG	LOW FRONTAL-ARCADIA 2GR SERIG.
14	5094899SG	LOW FRONTAL-ARCADIA 1GR SERIG.
14	5094901SG	LOW FRONTAL-ARCADIA 3GR SERIG.
15	7817801	SCREW TPS M4X16 UNI7688 A2
16	5074658LW	COFFEE CUPS GRID ARCADIA 3GR
17	5961774	RIGHT SIDE ASSY-ARCADIA BLACK
17	5961773	RIGHT SIDE ASSY-ARCADIA WHITE
18	5370916VH	RIGHT LATERAL SIDE-ARCADIA BLACK 9005
18	5370916YE	RIGHT LATERAL SIDE-ARCADIA WHITE 9003
19	5056012LW	RIGHT LATERAL BOTTOM SIDE-ARCADIA
20	5056013LW	RIGHT LATERAL TOP SIDE-ARCADIA
21	7999915	STUD M6
22	7819908	SCREW TTEI M4X8
23	5961775	LEFT SIDE ASSY-ARCADIA BLACK
23	5961776	LEFT SIDE ASSY-ARCADIA WHITE
24	5370917VH	LEFT LATERAL SIDE ARCADIA BLACK
24	5370917YE	LEFT SIDE WHITE
25	5056014LW	LEFT LATERAL BOTTOM SIDE-ARCADIA
26	5056015LW	LEFT LATERAL TOP SIDE-ARCADIA
27	5013007VH	COVER GROUP ARCADIA BLACK 9005
27	5013007YE	COVER GROUP ARCADIA WHITE
28	5074657LW	CENTRAL CUPS-HEATER GRID
29	5074659LW	CUPS-HEATER GRID ARCADIA 1GR
30	5074661LW	CUPS-HEATER GRID ARCADIA 1GR

TABLE 2
Mod. DISPLAY - DE

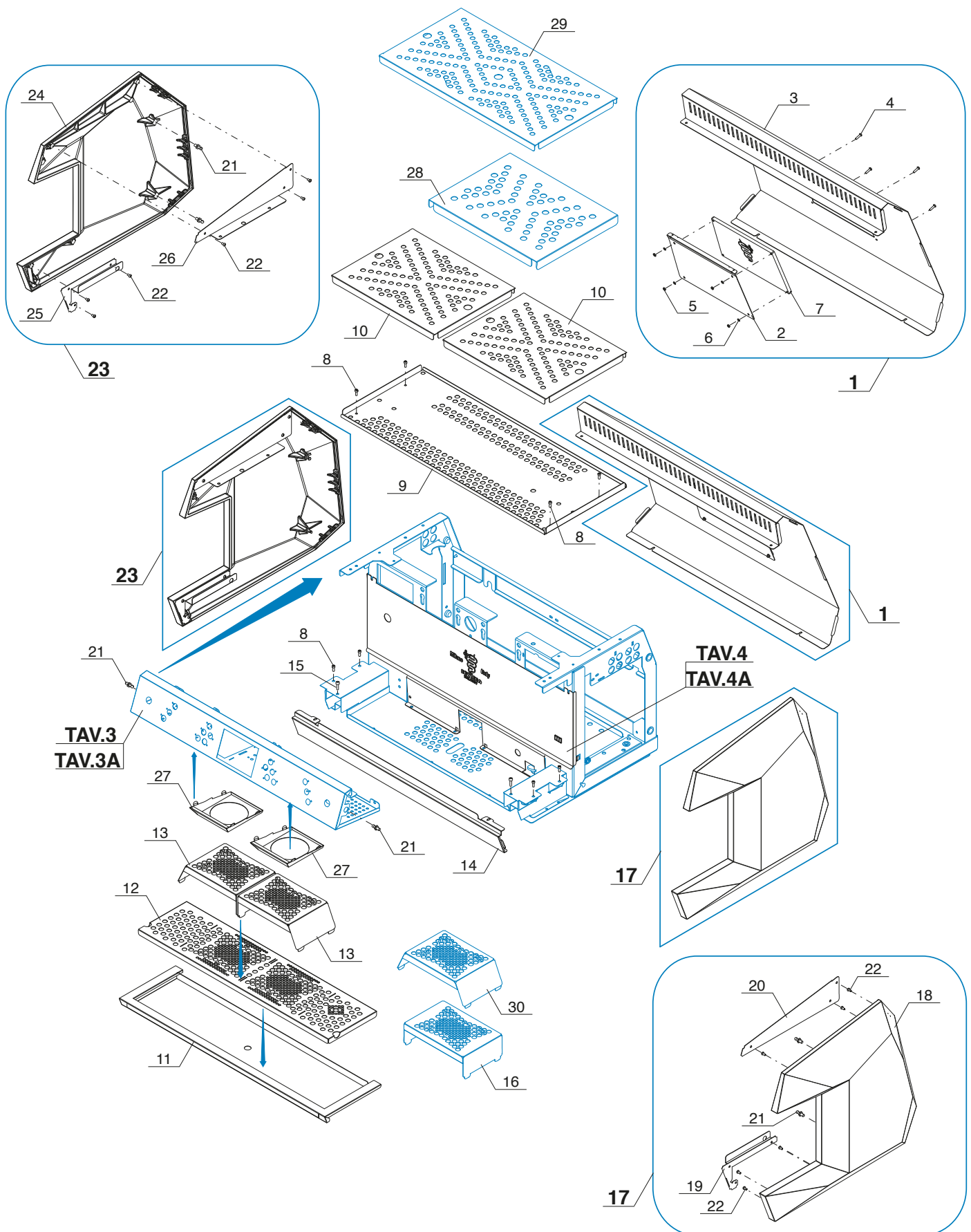


TABLE 3
Mod. DISPLAY

POS	CODE	DESCRIPTION
1	7663623	WHITE LEDS 12V
2	7809811	SCREW TCI M3X16 DIN85 PLASTIC
3	5195003	M3 SLIDE NUT
4	7431503	PROGRAMMED DISPLAY TFT ARCADIA SCRIPT (B)
5	7639919	MICRO SD
6	5370918	FRAME.DISPLAY-ARCADIA
7	7639918	SPACER MF M3 H12
8	5018124LW	DISPLAY .COVER.SUPPORT-ARCADIA
9	7999919	BUTTERFLY NUT M3
10	5033005.01LL	COVER
11	7816016	SCREW TCEI M3X6 UNI 5931 A2
12	5058452LL	PUSHBUTTON RIGHT SUPP.-ARCADIA DISP 2/3GR
13	5058458LL	PUSHBUTTON LEFT SUPP.-ARCADIA DISP 2/3 GR
14	7819908	SCREW TTEI M4X8
15	7666504	KEYBOARD 5 BUTTONS-ARCADIA CAF1
16	7666507	KEYBOARD 3 BUTTONS-ARCADIA VAP
17	7666505	KEYBOARD 5 BUTTONS-ARCADIA CAF2
18	7666508	KEYBOARD 3 BUTTONS-ARCADIA THE
19	766506	KEYBOARD 5 BUTTONS-ARCADIA CAF3
20	5191511	SPACER
21	7809811	SCREW TCI M3X16 DIN85 PLASTIC
22	7303010	UNION ELBOW 1/8"X6/4"
23	7304502TR	STRAIGHT FITTING 1/8"G
24	7663591	PUSHBUTTON CABLE-ARCADIA DISP,
25	7611517	CLAMP
26	7999916	BUSH FOR M6 PIN
27	5057861LL	WATER SQUARE- ARCADIA WITH BUSHING
28	7819908	SCREW TTEI M4X8
29	5094897LW	WORKING FRONTAL ARCADIA 2GR DE DISPLAY
29	5094898LW	WORKING FRONTAL ARCADIA 3GR DE DISPLAY
29	5094896LW	WORKING FRONTAL ARCADIA 1GR DE DISPLAY
30	5058457LL	PUSHBUTTON RIGHT SUPP.-ARCADIA DISP 1GR
31	5058459LL	PUSHBUTTON LEFT SUPP.-ARCADIA DISP 1GR
32	5058456LL	PUSHBUTTON SUPP.-ARCADIA DISP 3GR
33	5661504	6 BLACK KEYS WATER/STEAM
34	5661503	6 BLACK KEYS
35	5661501	6 BLACK KEYBOARD KEYS
36	5191513	SPACER NYLON 66 L=7 MM

TABLE 3
Mod. DISPLAY

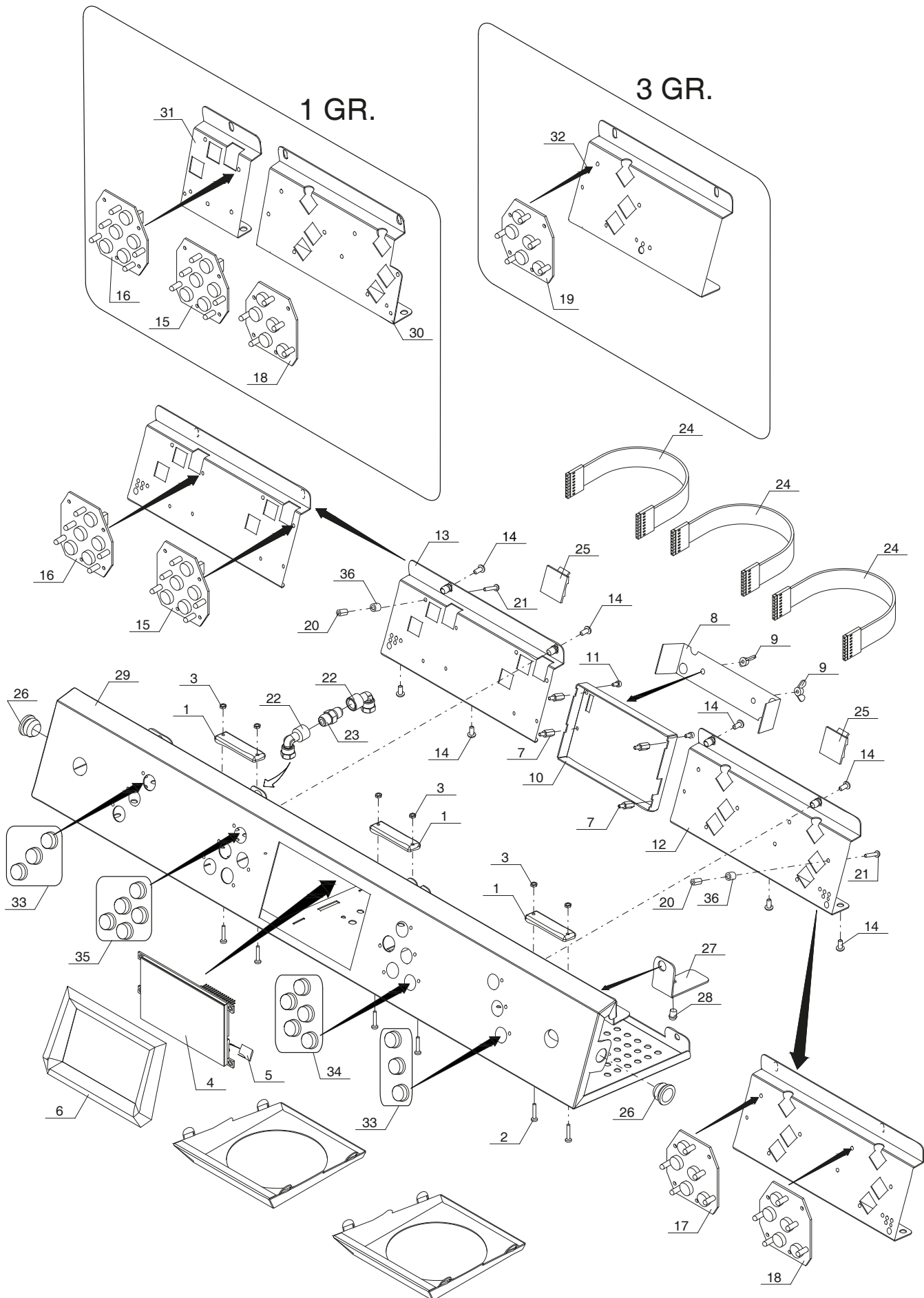


TABLE 3A
Mod. DE

POS	CODE	DESCRIPTION
1	5094894LW	WORKING FRONTAL PANEL 2GR DE
1	5094893LW	WORKING FRONTAL PANEL 1GR DE
1	5094895LW	WORKING FRONTAL PANEL 3GR DE
2	7663623	WHITE LEDS 12V
3	7809811	SCREW TCI M3X16 DIN85 PLASTIC
4	5195003	M3 SLIDE NUT
5	5058451.01LL	PUSHBUTTON SUPP.-ARCADIA DE 2/3GR C/B
6	7809811	SCREW TCI M3X16 DIN85 PLASTIC
7	7665524PR	PUSH BUTTON COMPLETE
8	5661501	6 BLACK KEYBOARD KEYS
9	5191513	SPACER NYLON 66 L=7 MM
10	5191511	SPACER
11	7819908	SCREW TTEI M4X8
12	7611517	CLAMP
13	7999916	BUSH FOR M6 PIN
14	5057861LL	WATER SQUARE- ARCADIA WITH BUSHING
15	5058455.01LL	PUSHBUTTON SUPP.-ARCADIA DE 1/3GR C/B

TABLE 3A
Mod. DE

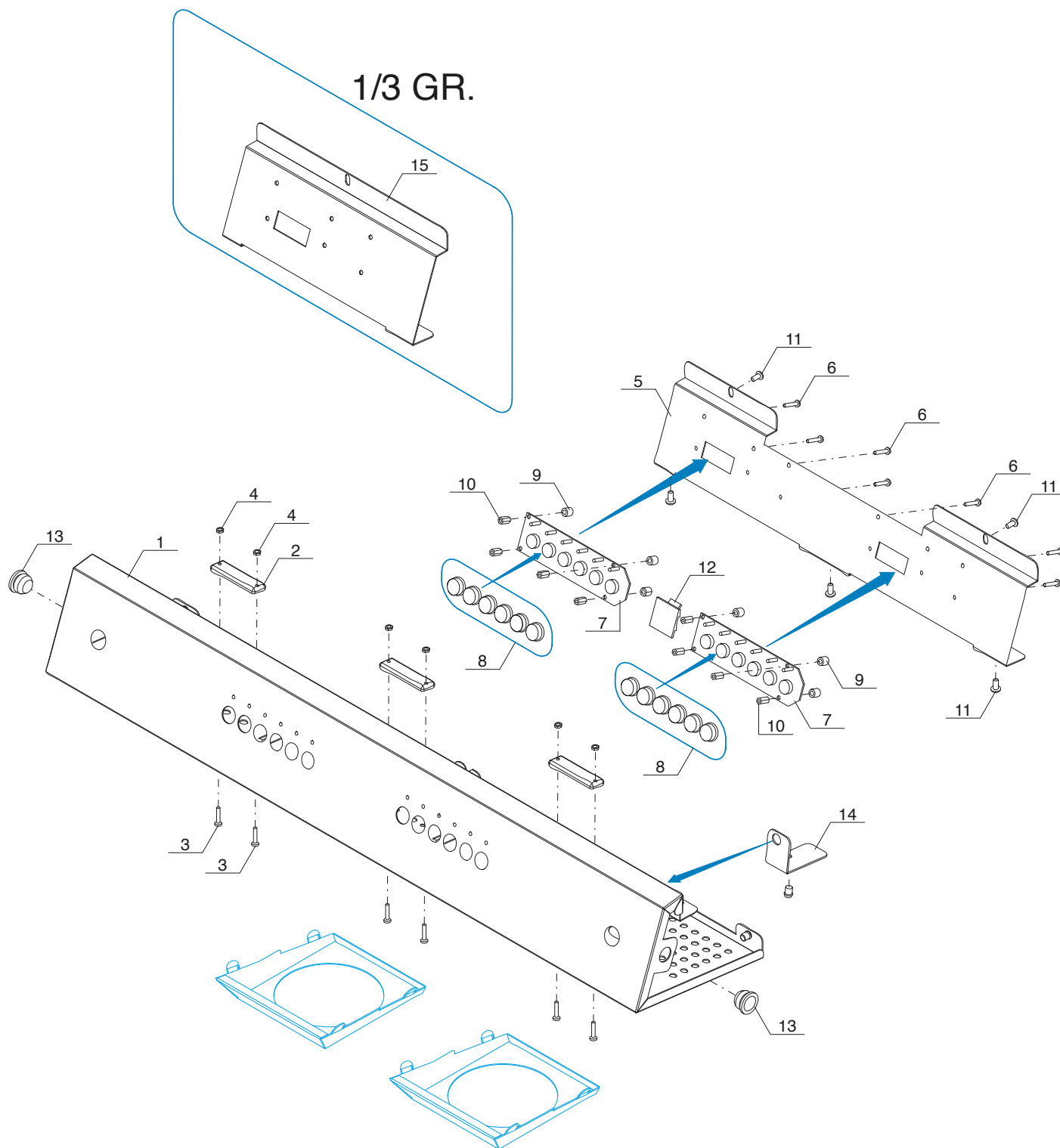


TABLE 4
Mod. DISPLAY

POS	CODE	DESCRIPTION
1	5094891LW	GROUP FRONTAL 2GR ARCADIA DISPLAY
1	5094890LW	GROUP FRONTAL 1GR ARCADIA DISPLAY
1	5094892LW	GROUP FRONTAL 3GR ARCADIA DISPLAY
2	5521524	ITALIAN FLAG LABEL
3	7633345	SWITCH ARCADIA
4	5053040.01LL	BASEMENT ARCADIA DISPL.2GR C/B
4	5053039.01LL	BASEMENT ARCADIA DISPL.1GR C/B
4	5053041.01LL	BASEMENT ARCADIA DISPL.3GR C/B
5	5038116LW	PRESSURE GAUGE BRACKET
6	7432523	PRESSURE GAUGE D40 16 BAR
7	7303503	PIPE D12.7X18.8 3/4FC L=200CM

TABLE 4
Mod. DISPLAY

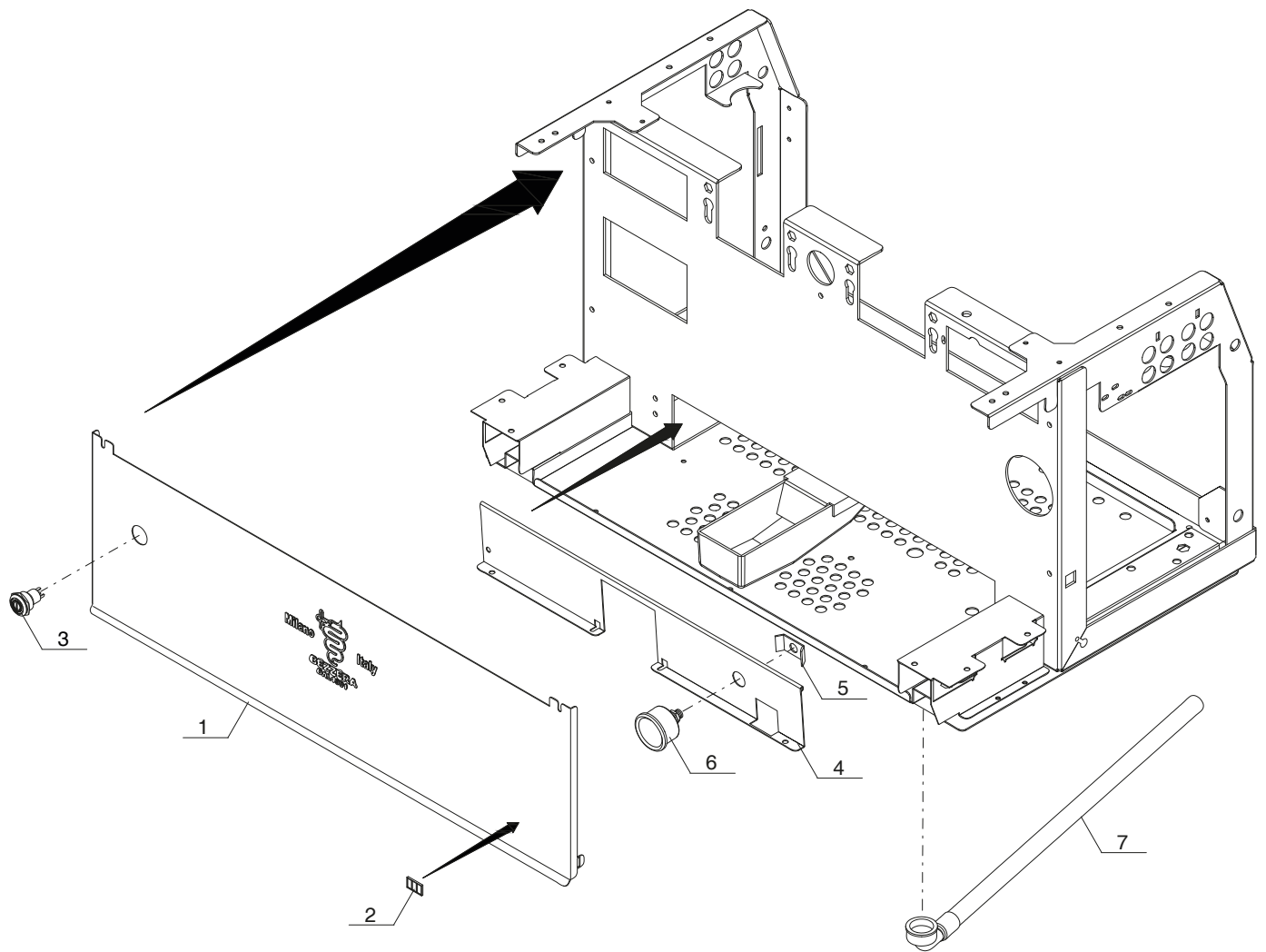


TABLE 4A
Mod. DE

POS	CODE	DESCRIPTION
1	5053038LL	BASEMENT ARCADIA DE 1GR C/B
1	5053035LL	BASEMENT ARCADIA DE 2GR C/B
1	5053037LL	BASEMENT ARCADIA DE 3GR C/B
2	7434017	THERMOSTAT TERMOPID 230/240V
3	5094888SG	GROUP FRONTAL 2GR ARCADIA DE
3	5094887SG	GROUP FRONTAL 1GR ARCADIA DE
3	5094889SG	GROUP FRONTAL 3GR ARCADIA DE
4	7633628	WHITE LAMP
5	7633345	SWITCH ARCADIA
6	7432524	PRESSURE GAUGE D60 DOUBLE SCALE
7	7303503	DRAIN HOSE 3/4" G L=2000MM

TABLE 4A
Mod. DE

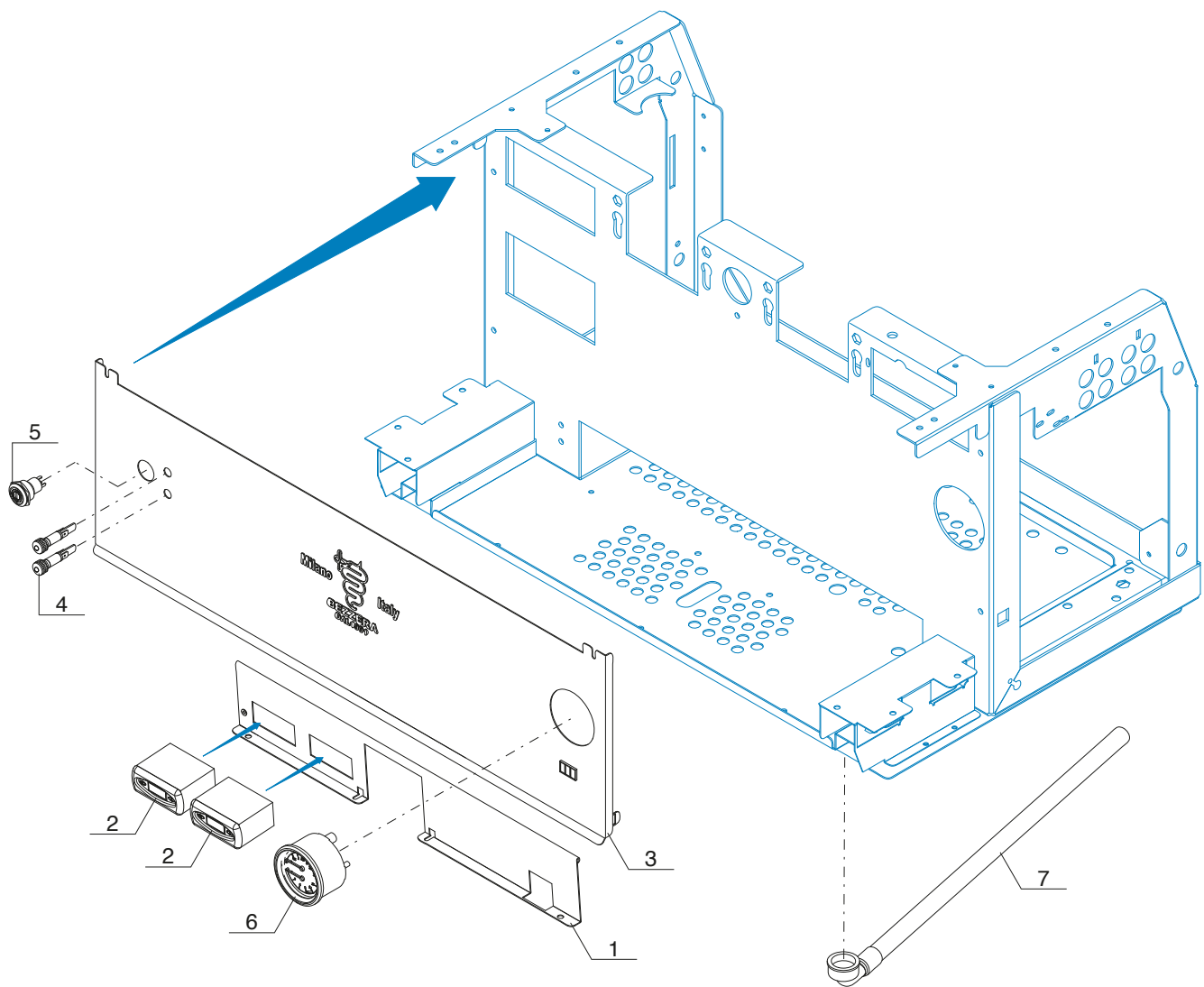


TABLE 5
Mod. DISPLAY

POS	CODE	DESCRIPTION
1	5283046	GROUP BODY
2	5280502TW	COUPLING RING OT CHROMED
3	7496004	OR GASKET 139
4	7816001	SCREW TCEI M5X12 UNI 5931 A2
5	7493008	GASKET H9.3 90SH
6	5285501TP	SHOWER-HOLDER D57
7	5470515	SHOWER D57 COMPETIT. LOGO BEZZERA
8	7817001	SCREW TPS M5X16 A2
9	5018469LL	SUPP. GROUP-ARCADIA DISPLAY C/B
10	7819908	SCREW TTEI M4X8
11	7816014	SCREW M8X20 UNI 5931 A2
12	7666003	PROBE FOR PID WITH DIAM.4MM RING
13	7814001	WASHER D4 DIN 6798A A2
14	7816017	SCREW TCEI M4X6
15	5963098.01	ASSEMBLY HEATING ELEMENT 220/240V
16	7304502TR	STRAIGHT FITTING 1/8"G
17	5963135	ASSEMBLY FLOW METER ARCADIA DISPLAY
18	7702311	SOLENOID VALVE 3 WAY 230V PARKER
19	5973053	ASSEMBLY ADJUSTABLE FITTING BZ35E
20	7611516	CLAMP
21	5194593LL	DRAIN PIPE EV B2009 GROUP 1°GR
21	5194577LL	DRAIN PIPE EV.2ND-3RD.GROUP ELL.3GR
22	5221844	NUT 1/8"G H3
23	7431001	FLOW METER + AUT. WITH LED
24	7304510TR	FITTING SERTO 1/4"G OT S/PB
25	5471001	MESH FILTER D11 AISI 304
26	5191501	SPACER D11X8X6.5 PTFE
27	5302084	FITTING 1/4"GX1/8"G
28	5223024	JET M5X5 HOLE D0.8 OT
29	5370313	RUBBER-HOLDER

TABLE 5
Mod. DISPLAY

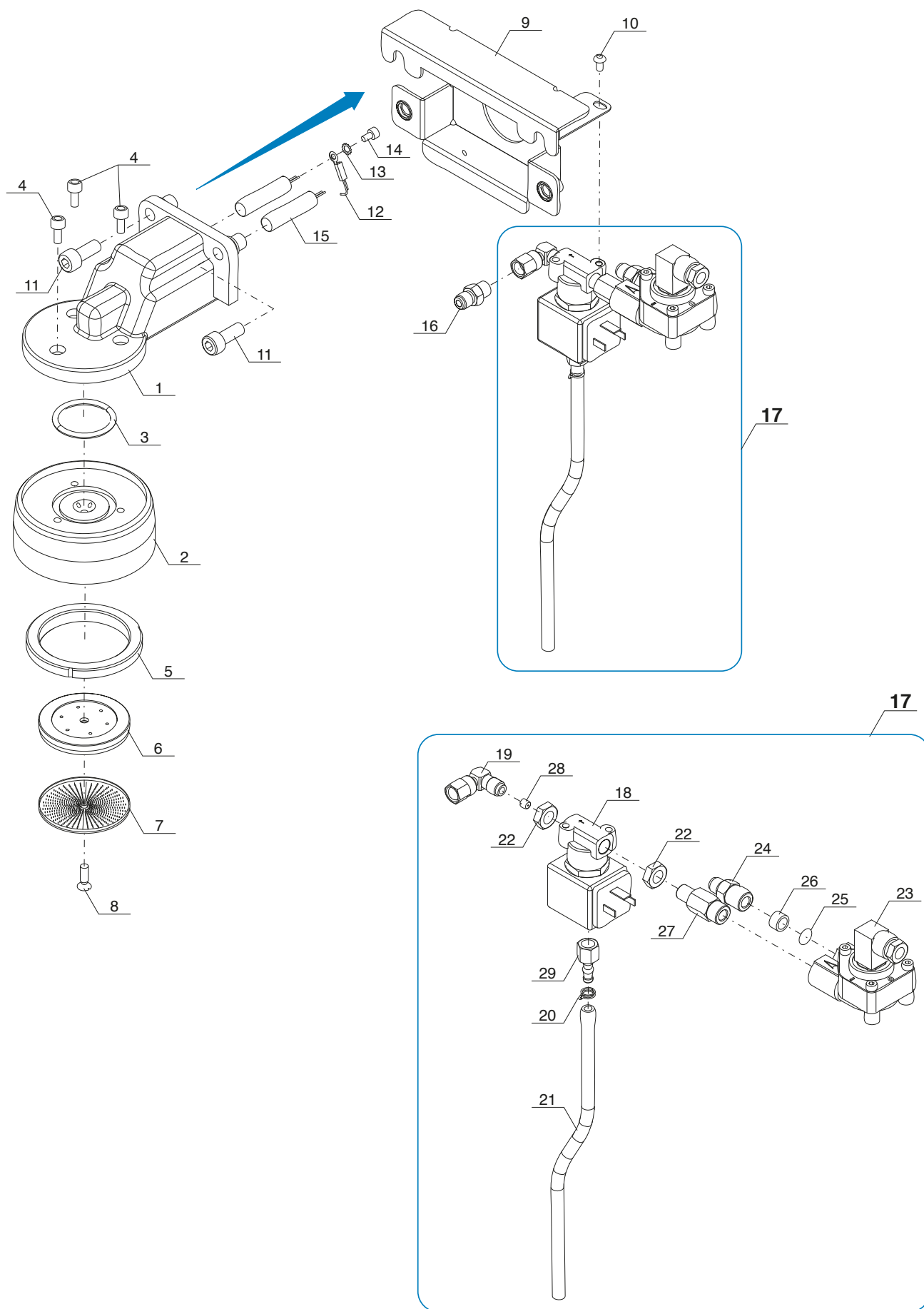


TABLE 5A
Mod. DE

POS	CODE	DESCRIPTION
1	5283520.01	HEATING ELEMENT FLANGE
2	5280505TW	COUPLING RING CHROMED
3	7496004	OR GASKET 139
4	7816021	SCREW TCEI M5X25 UNI 5931 A2
5	7814002	NOTCHED WASHER D5 DIN 6798A A2
6	7493008	GASKET H9.3 90SH
7	5285501TP	SHOWER-HOLDER D57
8	5470501	SHOWER D57 AISI 304
9	7817001	SCREW TPS M5X16 A2
10	5301504TR	UNION ELBOW 1/8"G X M12
11	5018471LL	SUPP. GROUP-ARCADIA DE WITH BUSHING
12	7816014	SCREW M8X20 UNI 5931 A2
13	7666003	PROBE FOR PID WITH DIAM.4MM RING
14	7816017	SCREW TCEI M4X6
15	7814001	WASHER D4 DIN 6798A A2
16	5963098.01	ASSEMBLY HEATING ELEMENT 220/240V
17	5162394LL	PIPE EV.GROUP-ARCADIA DE
18	7702311	SOLENOID VALVE 3 WAY 230V PARKER
19	7303001TR	UNION ELBOW 1/8"G
20	5221844	NUT 1/8"G H3
21	7431001	FLOW METER + AUT. WITH LED
22	7304510TR	FITTING SERTO 1/4"G OT S/PB
23	5471001	MESH FILTER D11 AISI 304
24	5191501	SPACER D11X8X6.5 PTFE
25	5302084	FITTING 1/4"GX1/8"G
26	5223024	JET M5X5 HOLE D0.8 OT
27	7819908	SCREW TTEI M4X8
28	5370313	RUBBER-HOLDER
29	7611516	CLAMP
30	5194593LL	DRAIN PIPE EV B2009 GROUP 1°GR
30	5194577LL	DRAIN PIPE EV.2ND-3RD.GROUP ELL.3GR

TABLE 5A
Mod. DE

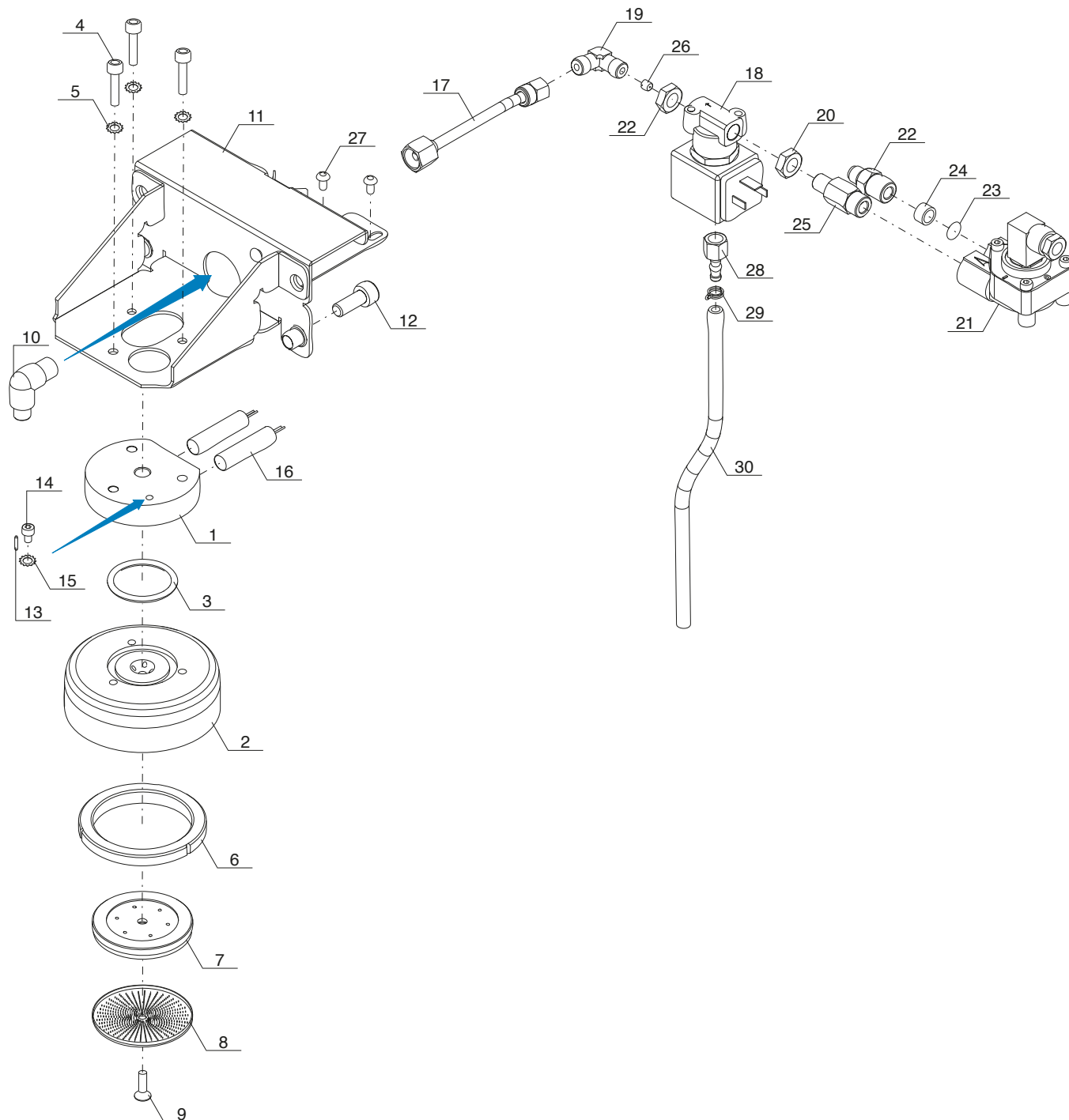


TABLE 6
Mod. DISPLAY

POS	CODE	DESCRIPTION
1	5055750.01LL	FIXED ELECTRIC BOX-ARCADIA DISP.C/B
2	7434001	THERMOSTAT MANUAL
3	7612513	CLAMP 4 CONTACTS
4	7637208	FEEDER 200VA 24V ARCADIA
5	7635422	RELAY FINDER 240V 30A 2CONT.FASTON
6	7635424.01	RELAY SSR FOR PID
7	7816009	SCREW TCEI M4X10
8	7816017	SCREW TCEI M4X6
9	7816004	SCREW TCEI M4 X 16
10	7809804	PLAIN WASHER D4
11	7611517	CLAMP
12	7730512	PUMP ARCADIA
13	7815603	SCREW TCC M3X12 UNI 7687 A2
14	7822602	NUT M3
15	7663007	NOISE FILTER
16	7808201	SCREW

TABLE 6
Mod. DISPLAY

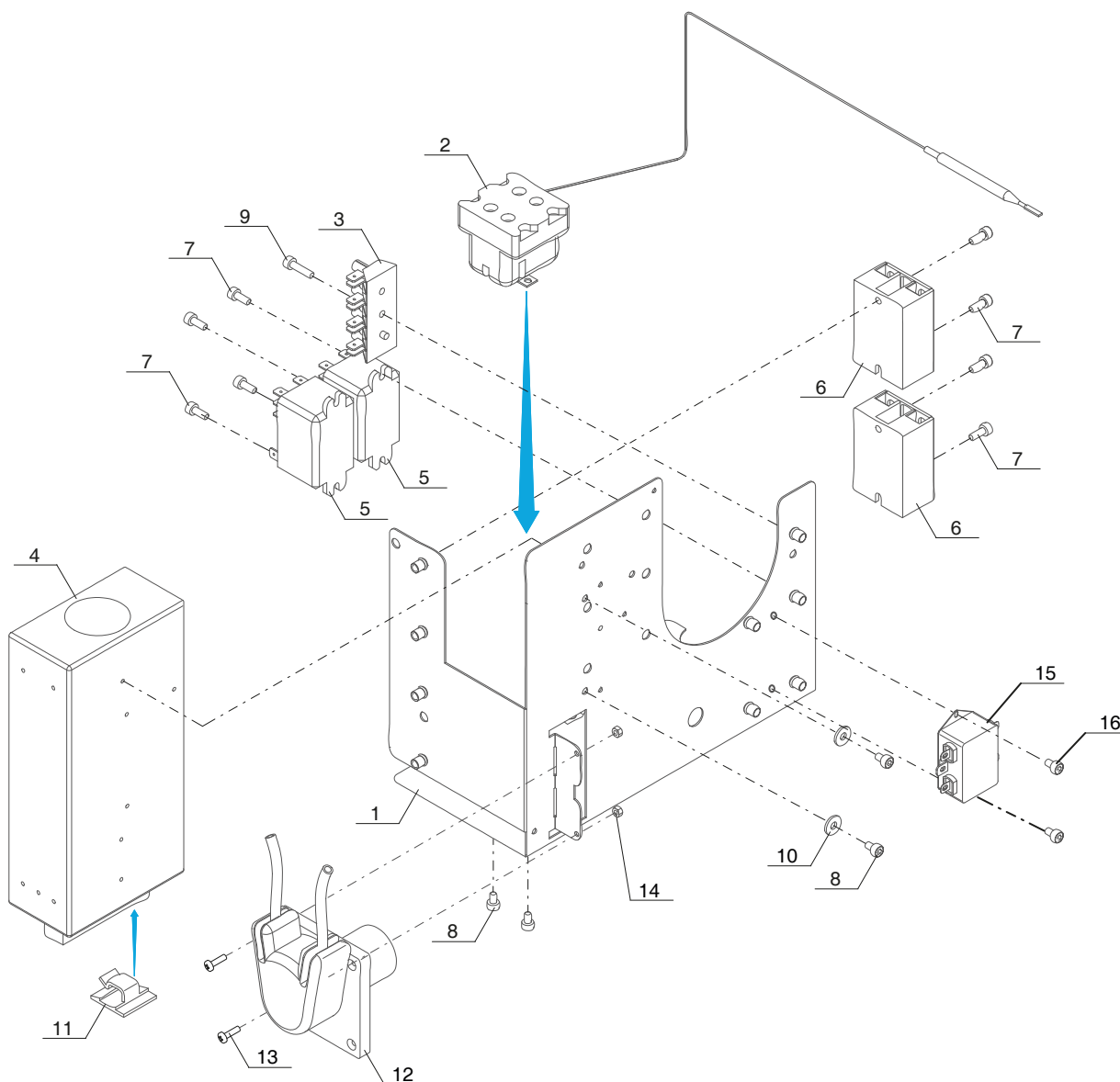


TABLE 6A
Mod. DE

POS	CODE	DESCRIPTION
1	5055750.01LL	FIXED ELECTRIC BOX-ARCADIA DE C/B
2	7635422	RELAY FINDER 240V 30A 2CONT.FASTON
3	7816009	SCREW TCEI M4X10
4	7612513	CLAMP 4 CONTACTS
5	7434001	THERMOSTAT MANUAL
6	7816017	SCREW TCEI M4X6
7	7816004	SCREW TCEI M4 X 16
8	7633326	BIPOLAR SWITCH LEVER
9	7822605	HEX NUT-SWITCH
10	7660505.01	FEEDER SWITCHING 110-240V 12V 1.6A
11	7635424.01	RELAY SSR FOR PID
12	7611517	CLAMP
13	7663007	NOISE FILTER
14	7808201	SCREW

TABLE 6A
Mod. DE

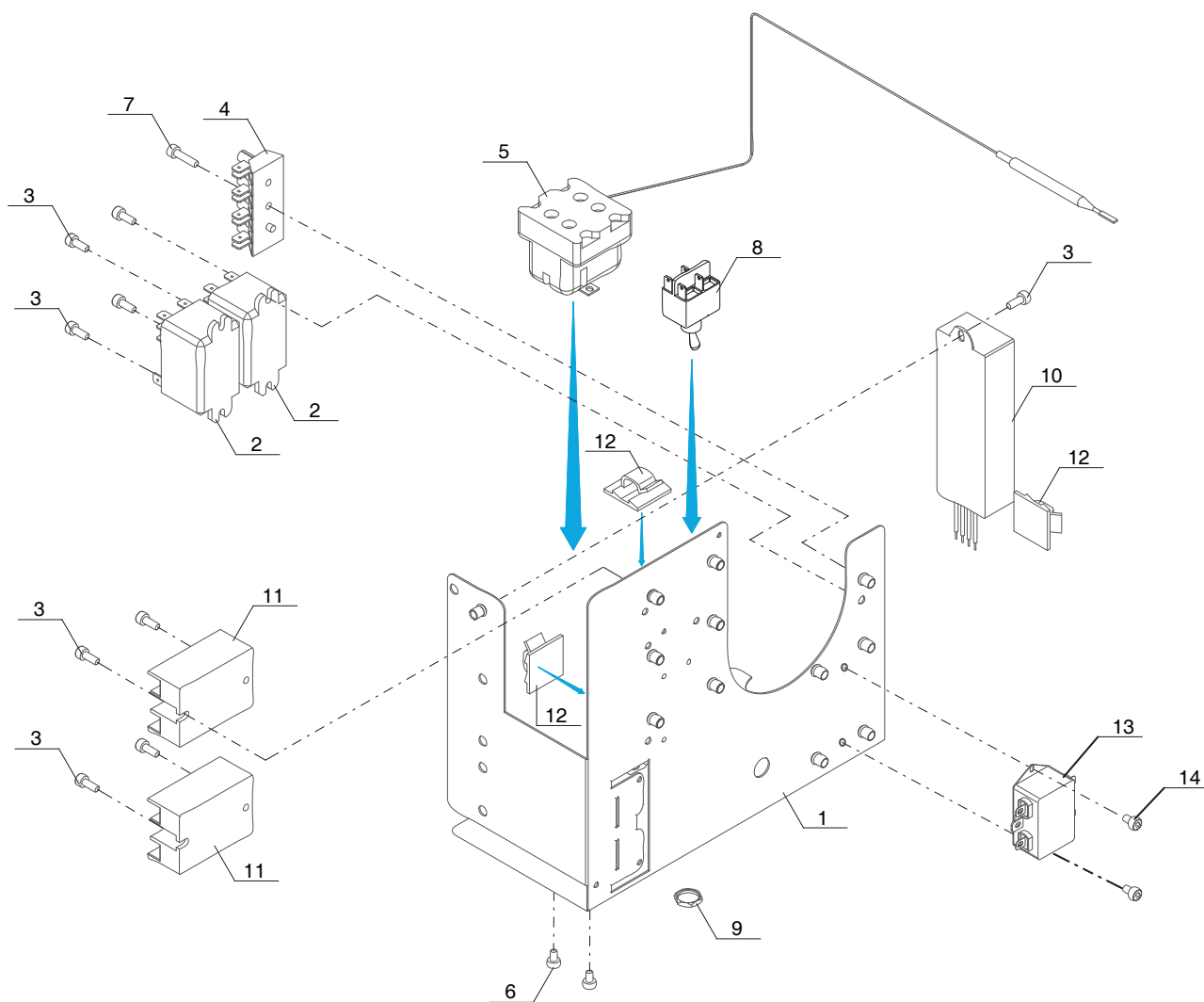
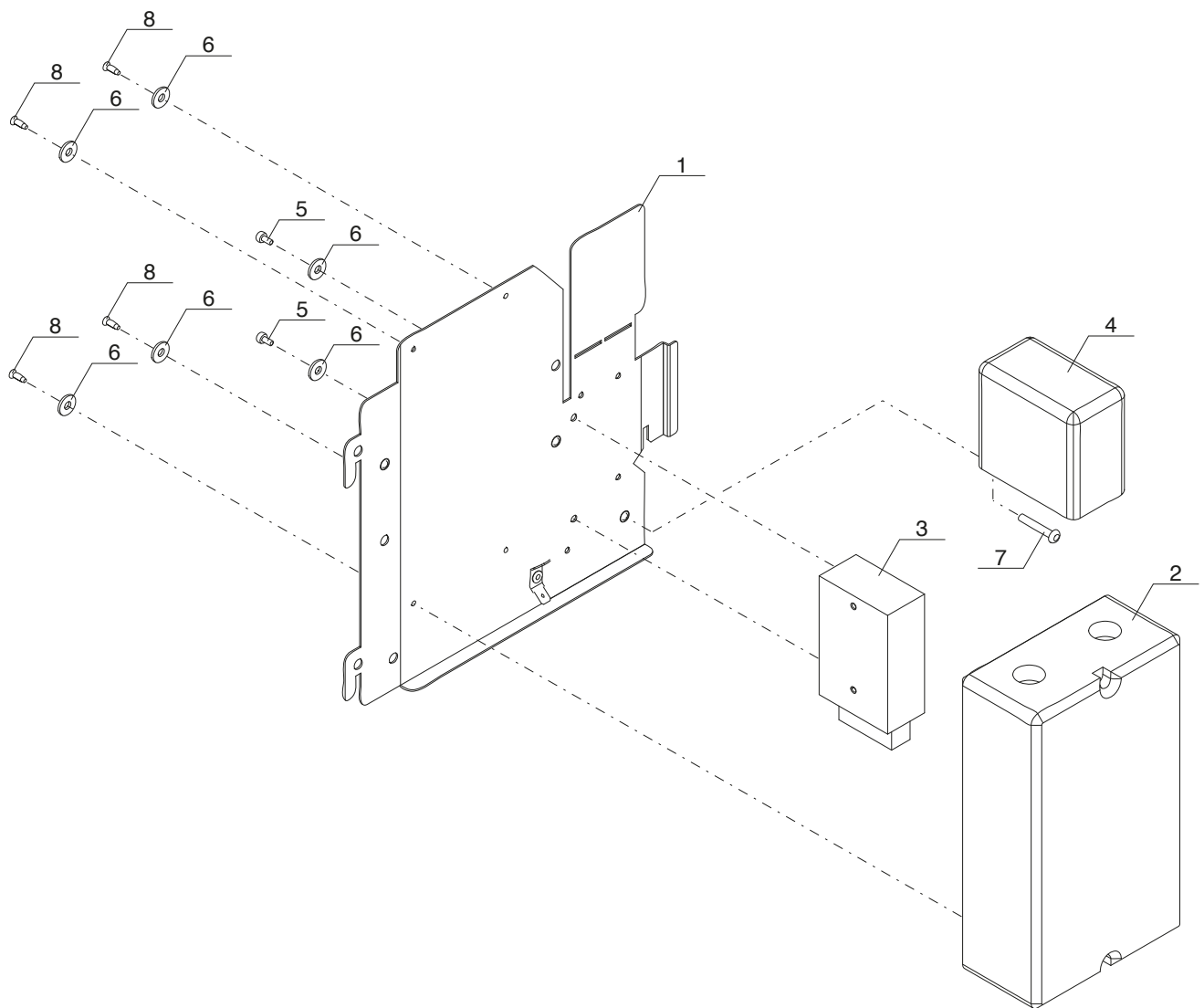


TABLE 7
Mod. DISPLAY

POS	CODE	DESCRIPTION
1	5055749LL	NOT FIXED ELECTRIC BOX-ARCADIA C/B
2	7662673	PROGRAMMED DOSAGE ARCADIA 220/400V
3	7637209	FEEDER 25VA 12V ARCADIA
4	7635425	TRIAC BOARD
5	7816016	SCREW TCEI M3X6 UNI 5931 A2
6	7809804	PLAIN WASHER D4
7	7819911	SCREW TTEI M4X25
8	7819402	TAPPING SCREW TPS D2.9X9.5 UNI 6952 A2

TABLE 7
Mod. DISPLAY



**TABLE 7A**
Mod. DE

POS	CODE	DESCRIPTION
1	5055749LL	NOT FIXED ELECTRIC BOX-ARCADIA C/B
2	7662643.02PR	ELETRICAL DOSAGE DE 220/240V
3	7816002	SCREW TCEI M4X12

TABLE 7A
Mod. DE

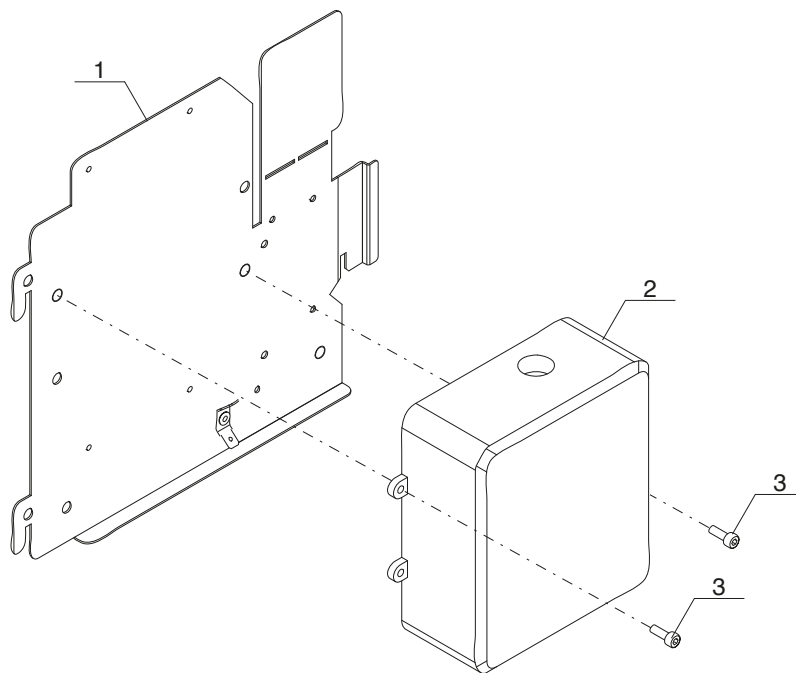


TABLE 8
Mod. DISPLAY

POS	CODE	DESCRIPTION
1	7730513	PUMP FG304X O-RING
2	7474212	ADHESIVE FEET
3	7304536TR	UNION ELBOW D6 1/8"G RUVECO
4	5302085	FITTING 1/8"GFX1/8"GC
5	7304514TR	FITTING
6	5221844	NUT 1/8"G H3
7	7666005	PRESSURE SENSOR ETX165
8	5965212.01AL	ASSEMBLY SURPRESSION VALVE 12BAR
9	5302077TP	RUBBER-HOLDER FITTING
10	7496052	OR GASKET 114
11	5471539	CALIBRATED SPRING D.1,6
12	5224620TP	GASKET-HOLDER
13	5493042	GASKET D.11X3
14	5283053TP	SURPRESSION VALVE BODY
15	7496018	OR GASKET 105 VITON
16	5224615TP	GASKET-HOLDER
17	5471505	CALIBRATED SPRING D0.45 H22 AISI 302
18	5302017TP	STRAIGHT FITTING M12 H26.5 OT
19	5038114LL	PUMPS BRACKET 2GR.
20	5038115LL	PUMPS BRACKET 1-3GR.
21	7816002	SCREW TCEI M4X12
22	5471019	FILTER D8,5X5 AISI304

TABLE 8
Mod. DISPLAY

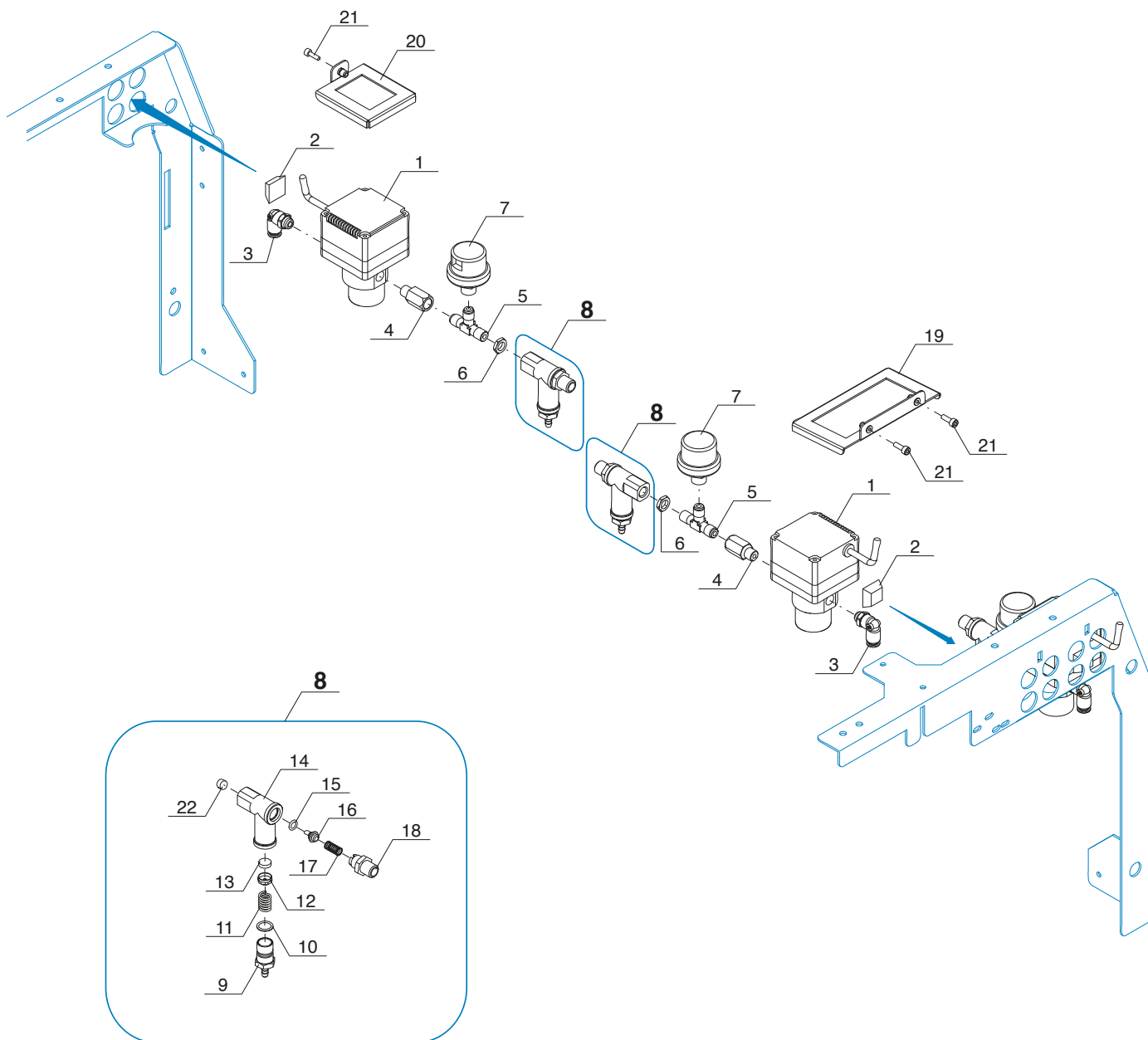
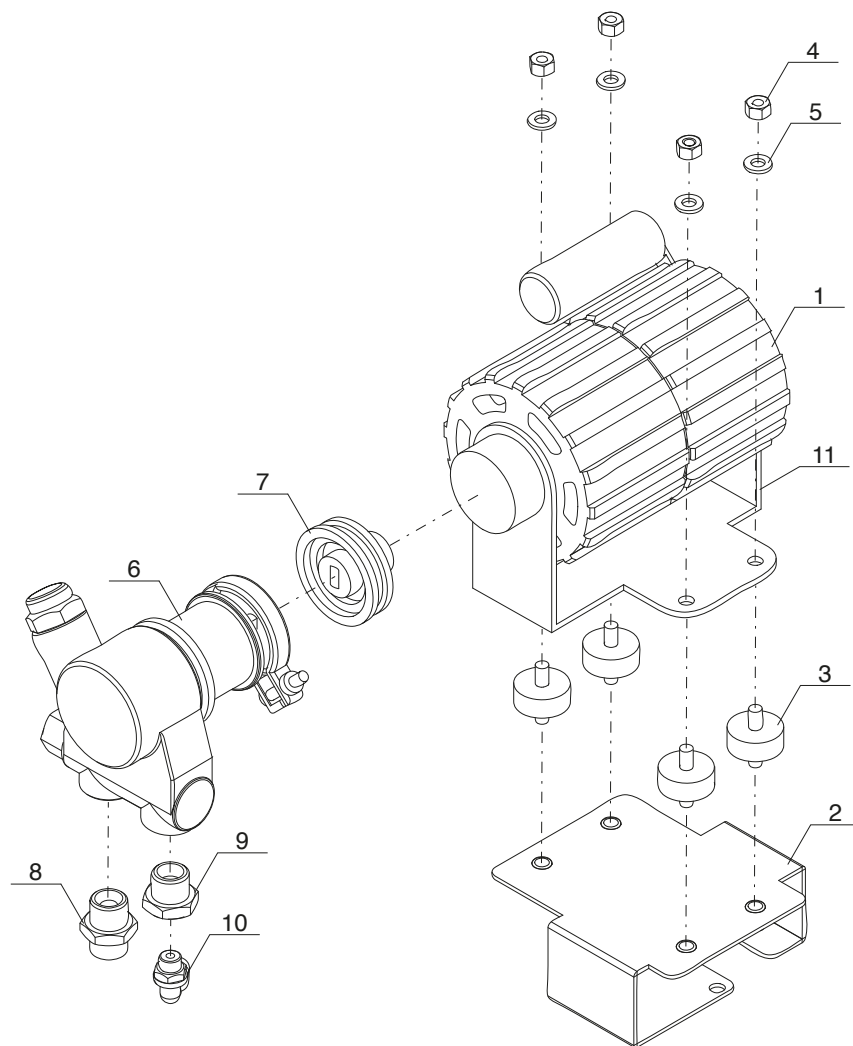


TABLE 8A
Mod. DE

POS	CODE	DESCRIPTION
1	7742206	ELECTRIC MOTOR 220/240V 10MF 2/3 GROUP
1	7742404	ELECTRIC MOTOR 220/240V 50/60HZ 1 GROUP
2	5038453LL	MOTOR BIG SUPPORT-BZ2013/ARCADIA C/B
3	7470601	D25X10XM6 VIBRATION-DAMPING
4	7821403	NUT M6 UNI 5587 OT
5	7805004	PLAIN WASHER D6 UNI 6592 FEZN
6	7730506	PUMP 100 L/H PA104X 1-2GR
6	7730507	PUMP (3 GROUP)
7	7730508	PUMP KIT 48YZ
8	5302012.01AL	3/8"GX3/8"NPT ES22 ELBOW
9	5302057	FITTING 1/8" X 3/8"G OT
10	7304536TR	UNION ELBOW D6 1/8"G RUVECO GIREV
11	5038437LW	MOTOR SUPPORT (1 GROUP)

TABLE 8A
Mod. DE



**TABLE 8B**
Mod. DISPLAY

POS	CODE	DESCRIPTION
1	7742404	ELECTRIC MOTOR 220/240V 50/60HZ 1 GROUP
2	5018470LW	PUMP SUPP.-ARCADIA DISPLAY 1/2GR
3	7816027	SCREW TCEI M5X8
4	7613503	FAIRLEAD M10V RUBBER
5	7814002	NOTCHED WASHER D5 DIN 6798A A2
6	7730509	PUMP 50-70L/H+CLAMP+JOINT
7	5302057	FITTING 1/8" X 3/8"G OT
8	5302011	FITTING 3/8"G ES22 H28 OT
9	7304535TR	T FITTING D6 1/8"G RUVECO
10	7304527TR	FITTING D8 3/8"G RUVECO

TABLE 8B
Mod. DISPLAY

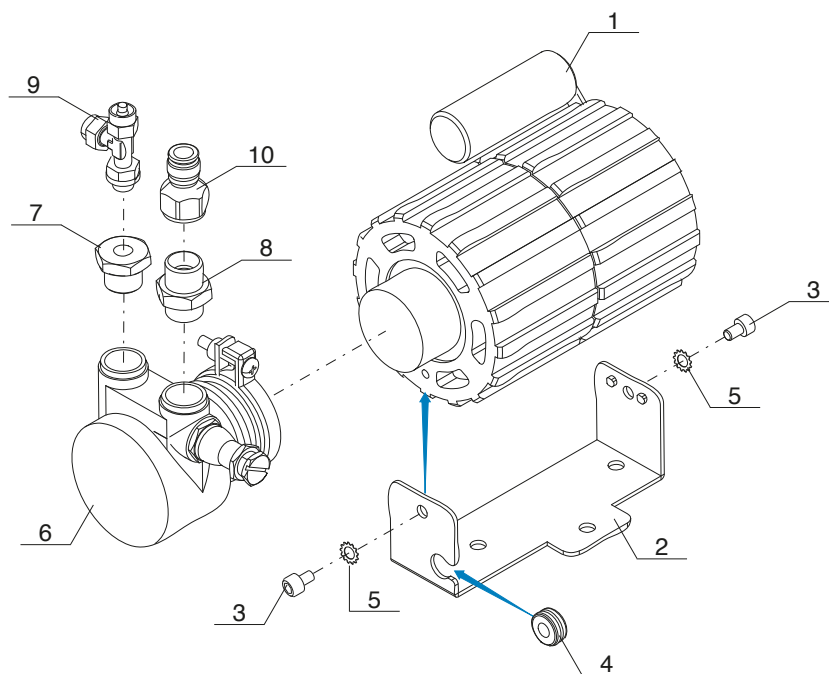


TABLE 9
Mod. DISPLAY

POS	CODE	DESCRIPTION
1	5321025.01BL	BOILER 2GR WITH EXCHANGER D28 BRILL
1	5320526.01BL	BOILER 1GR
1	5321522.01BL	BOILER 3GR
2	7816423	SCREW TE M8X18 UNI5739 A2
3	5492006	GASKET D76X39X2 ASBESTOS FREE
4	5722242AL	HEATING ELEMENT COPPER 220/240V-2750/3300W
4	5722241AL	HEATING ELEMENT 220/240V (1GR.)
4	5722243AL	HEATING ELEMENT 220/240V (3GR.)
5	7615003	FASTON M.6,3X08 45°(HOLE 4.1)
6	7813801	GROWER WASHER D4 UNI1751/A A2
7	7826212	SCREW TCI M4X6 UNI 6107 OT
8	7666002	PROBE T.PID
9	5192316	SUCTION HOSE D6X1 L=180 PTFE B2013
9	5192310	SUCTION HOSE L=150MM (1GR.)
10	5301507TR	UNION ELBOW M13X3/8"G OT S/PB
11	5973128LL	ASSY PROBE B2013 AL
12	5973129	ASSY MINIMUM LEVEL PROBE
13	5226402	PLUG 1/8"G ES12 H9 OT
14	5329022DC-AL	EXCHANGER 2 HOLES L=155 ARCADIA
15	5495007	GASKET D32 X 3 BRASS
16	5302006TP	STRAIGHT FITTING 1/8"G X M12
17	5192319	SUCTION HOSE D6X1 L=50 PTFE (1GR)
17	5192304	SUCTION HOSE L=80MM (2-3GR.)

TABLE 9
Mod. DISPLAY

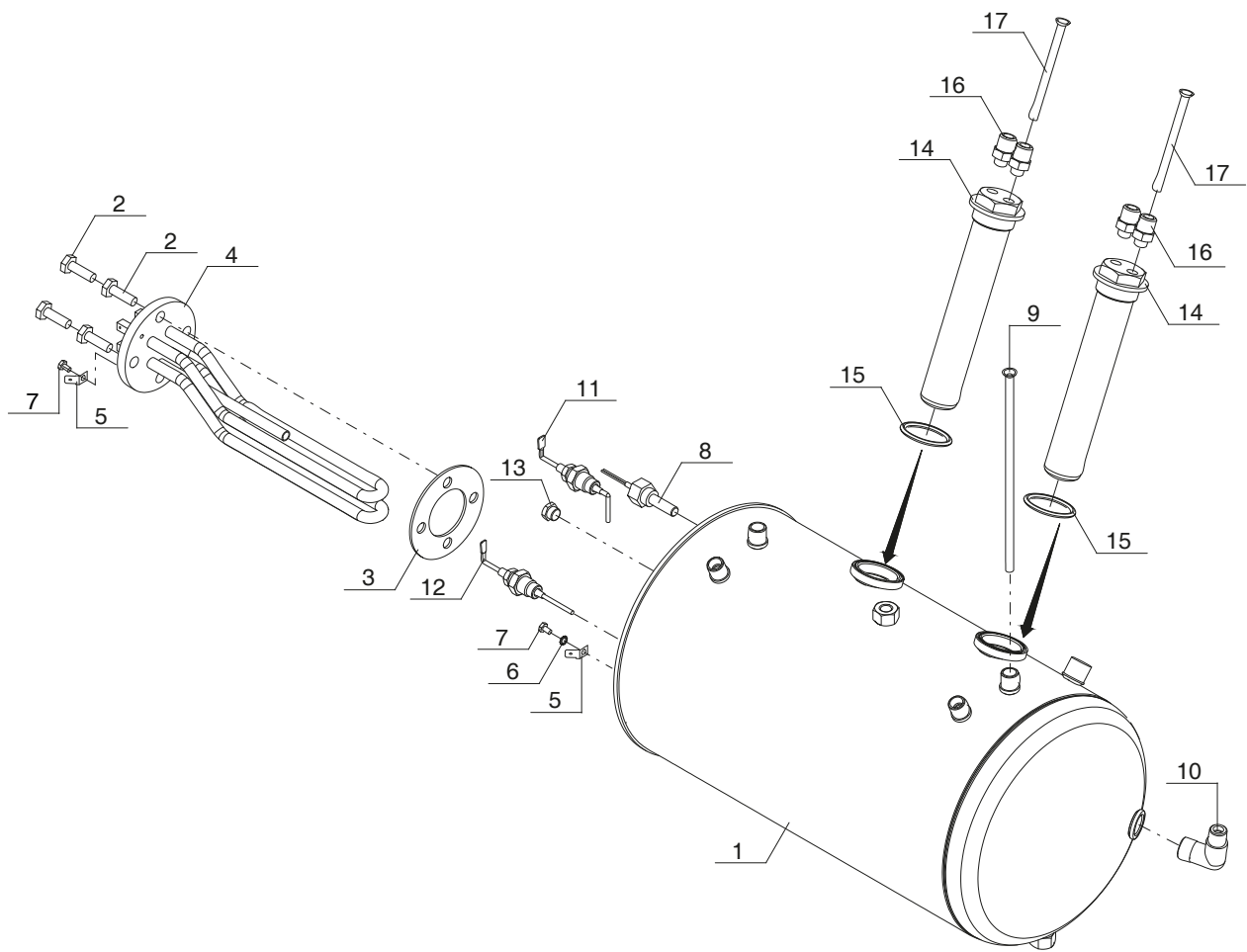


TABLE 9A
Mod. DE

POS	CODE	DESCRIPTION
1	5321025.01BL	BOILER 2GR WITH EXCHANGER D28 BRILL
1	5320526.01BL	BOILER 1GR WITH EXCHANGER D28 BRILL
1	5321522.01BL	BOILER 3GR WITH EXCHANGER D28 BRILL
2	7816423	SCREW TE M8X18 UNI5739 A2
3	5492006	GASKET D76X39X2 ASBESTOS FREE
4	5722242AL	HEATING ELEMENT COPPER 220/240V-2750/3300W
4	5722241AL	HEATING ELEMENT 220/240V (1GR.)
4	5722243AL	HEATING ELEMENT 220/240V (3GR.)
5	7615003	FASTON M.6,3X08 45°(HOLE 4.1)
6	7813801	GROWER WASHER D4 UNI1751/A A2
7	7826212	SCREW TCI M4X6 UNI 6107 OT
8	5192316	SUCTION HOSE D6X1 L=180 PTFE B2013
8	5192311	SUCTION HOSE L=120MM (1GR.)
9	5301507TR	UNION ELBOW M13X3/8"G OT S/PB
10	5973128LL	ASSY PROBE B2013 AL
11	5973129	ASSY MINIMUM LEVEL PROBE
12	5301504TR	UNION ELBOW 1/8"G X M12
13	5302009	STRAIGHT FITTING M12 X 1/4"G H24 OT
14	5329022DC-AL	EXCHANGER 2 HOLES L=155 ARCADIA DECAP
15	5495007	GASKET D32 X 3 BRASS
16	5302006TP	STRAIGHT FITTING 1/8"G X M12
17	5192319	SUCTION HOSE D6X1 L=50 PTFE
18	5221840	CAP NUT M13X1
19	5492020	GASKET D11.5 X 2

TABLE 9A
Mod. DE

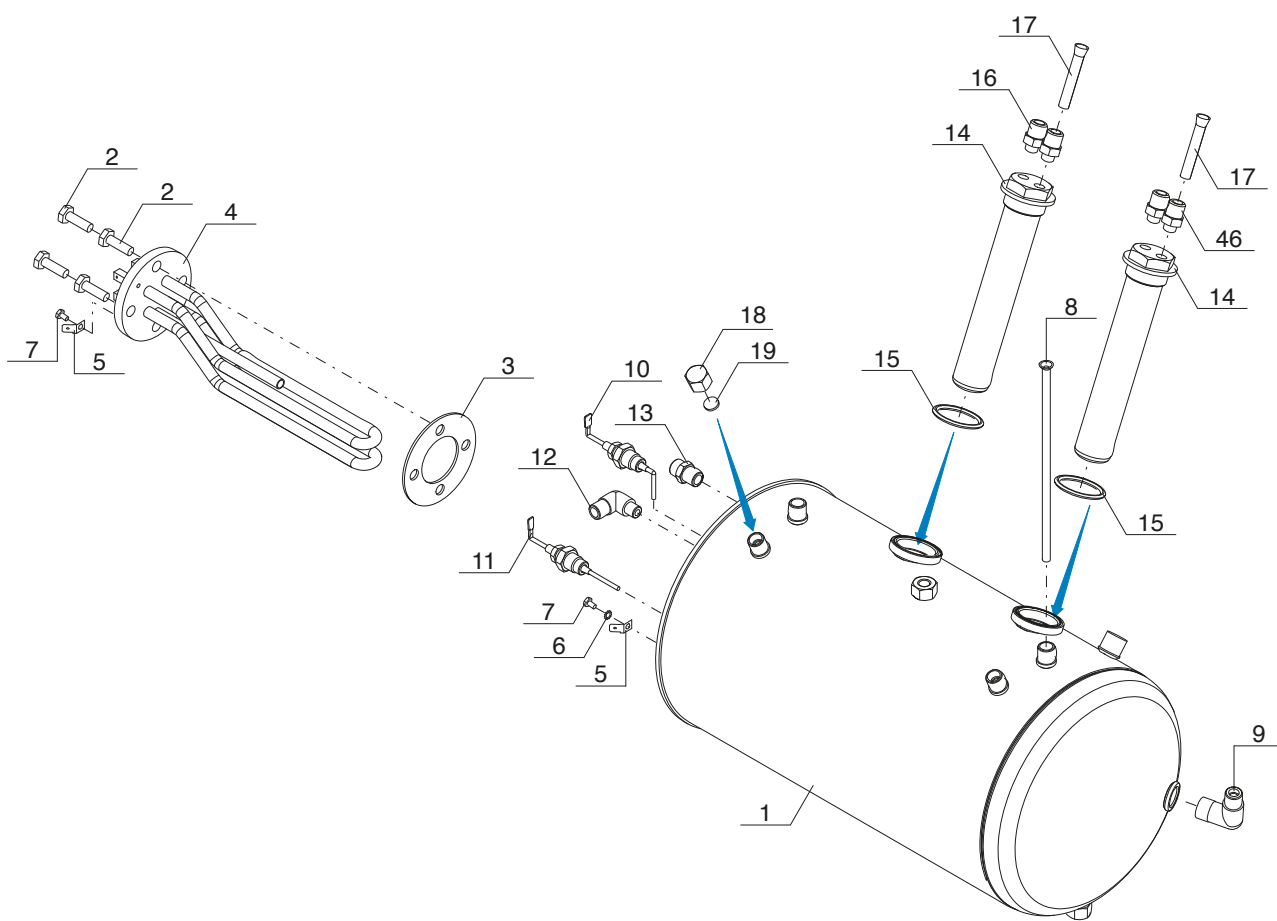


TABLE 10
Mod. DISPLAY - DE

POS	CODE	DESCRIPTION
1	5283058	TAP BODY 3/8"G D26/22
2	5260205DL	SHAFT D12X60,5 AISI303
3	5471513	SPRING
4	5261801	WASHER D11
5	5494004	GASKET D12 X 6 PTFE GRAPHITIZED
6	5496042	GASKET D11X4X4 EPT 70 (C6)
7	5224603TP	GASKET-HOLDER
8	5225309	FITTING M13X3/8"G ES.20 OT
9	5221826	NUT 3/8"G ES22 H5 OT
10	7496072	OR GASKET 121
11	5964097	ASSY TAP ROD ARCADIA
12	7479993	TERM.STEAM PIPE. 4HOLES S/NUT/GASKET
13	5221872TW	NUT 3/8"G
14	5494017	OR GASKET 115 EP856
15	7371004	INSULATING
16	5471532	SPRING
17	5190501	COMPLETE CUP
18	7826202	SCREW TCI M5X10
19	7805004	PLAIN WASHER D6 UNI 6592 FEZN
20	5371815	BLACK KNOB
21	5373931CM	STEAM PLUG CHROMED

TABLE 10
Mod. DISPLAY - DE

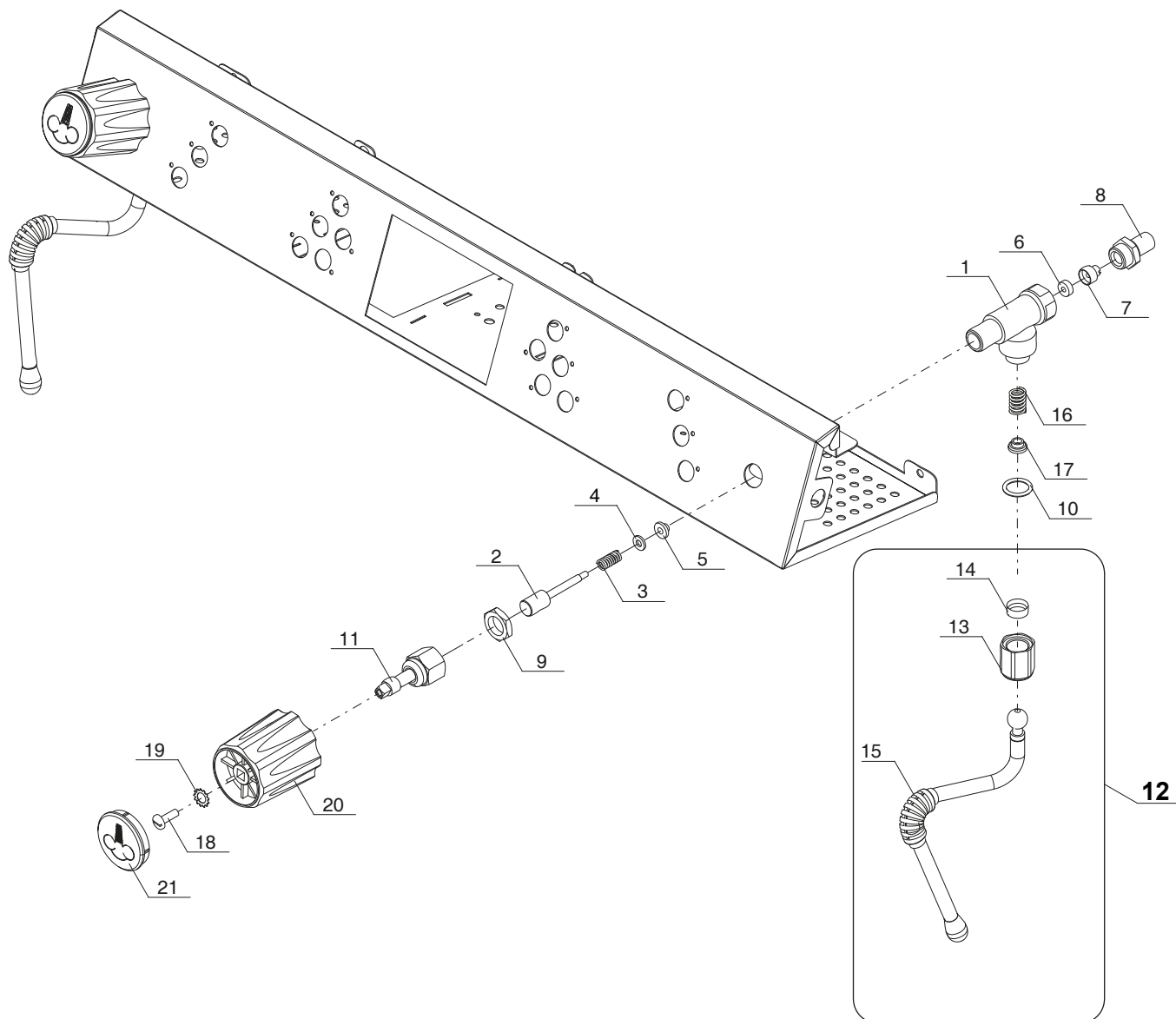


TABLE 11
Mod. DISPLAY - DE

POS	CODE	DESCRIPTION
1	5372101	BLACK MEASURE
2	5373001	COFFEE-PRESS
3	7990603	CLEANING BRUSH
4	5471003	BLIND FILTER AISI 304
5	5471031.01	FILTER 1 CUP 8 GRAMS WITH RUN CHANNEL
6	5471021.01	FILTER 2 CUPS 12 GRAMS WITH RUN CHANNEL
6	5471026.01	FILTER 2 CUPS 14 GRAMS WITH RUN CHANNEL
6	5471035	FILTER 2 CUPS 16 GRAMS WITH RUN CHANNEL
7	5965586.01R	ASSEMBLY FILTER-HOLDER 1 CUP
7	5965587.01R	ASSEMBLY FILTER-HOLDER 2 CUPS
8	5471527	FILTER-HOLDER SPRING D1.2 AISI 302
9	5286016TW	FILTER-HOLDER
10	5978508	HANDLE
11	5371203	HANDLE
12	7816026	SCREW TCEI M12X60
13	7809810	SCREW TC M3,5X10 PLASTITE
14	5371204	PLUG CHROMED
15	5371205	PLATE WITH LOGO
16	7305006TW	SPOUT 1 WAY
17	7305007TW	SPOUT 2 WAY
18	7493021	GASKET

TABLE 11
Mod. DISPLAY - DE

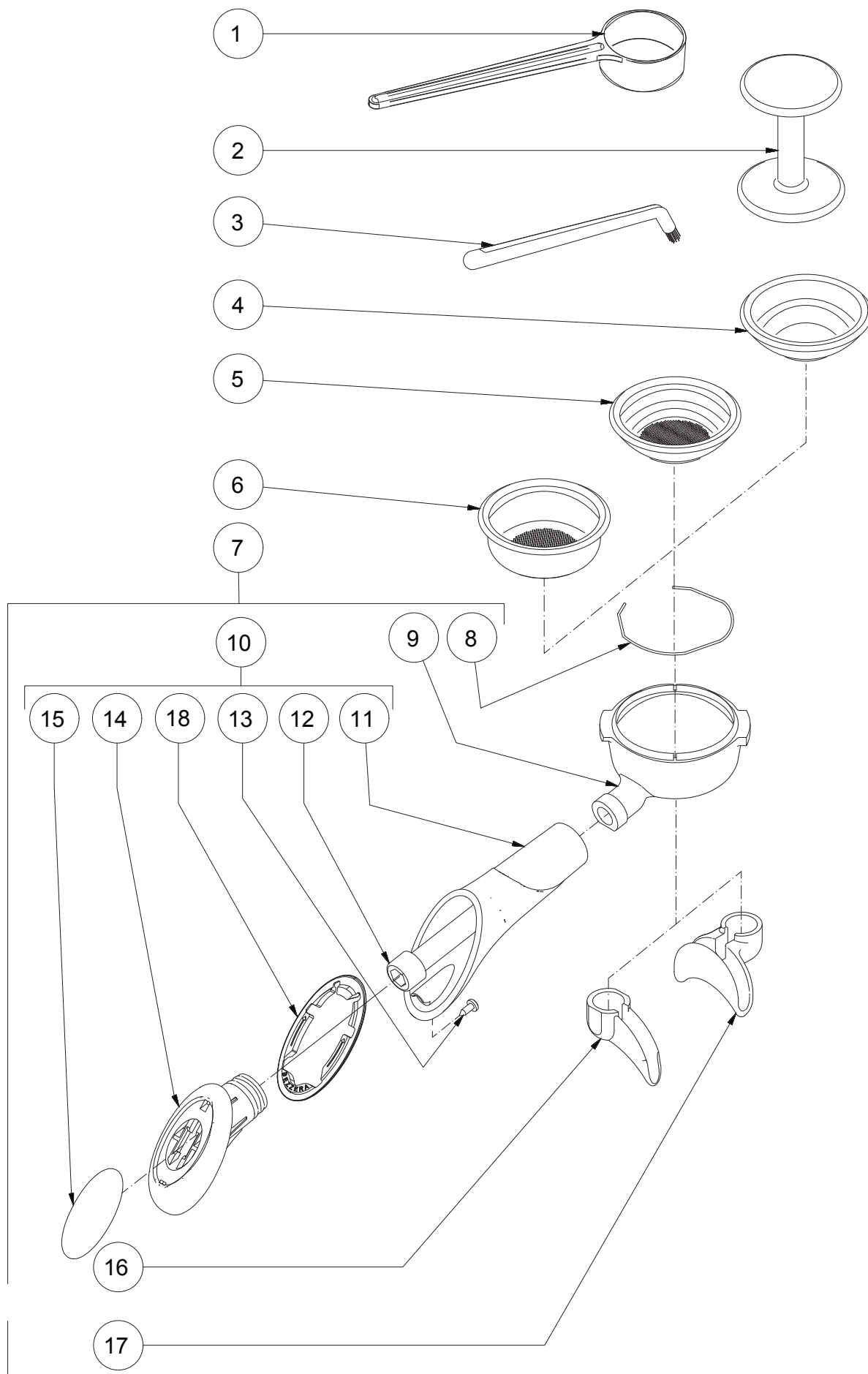
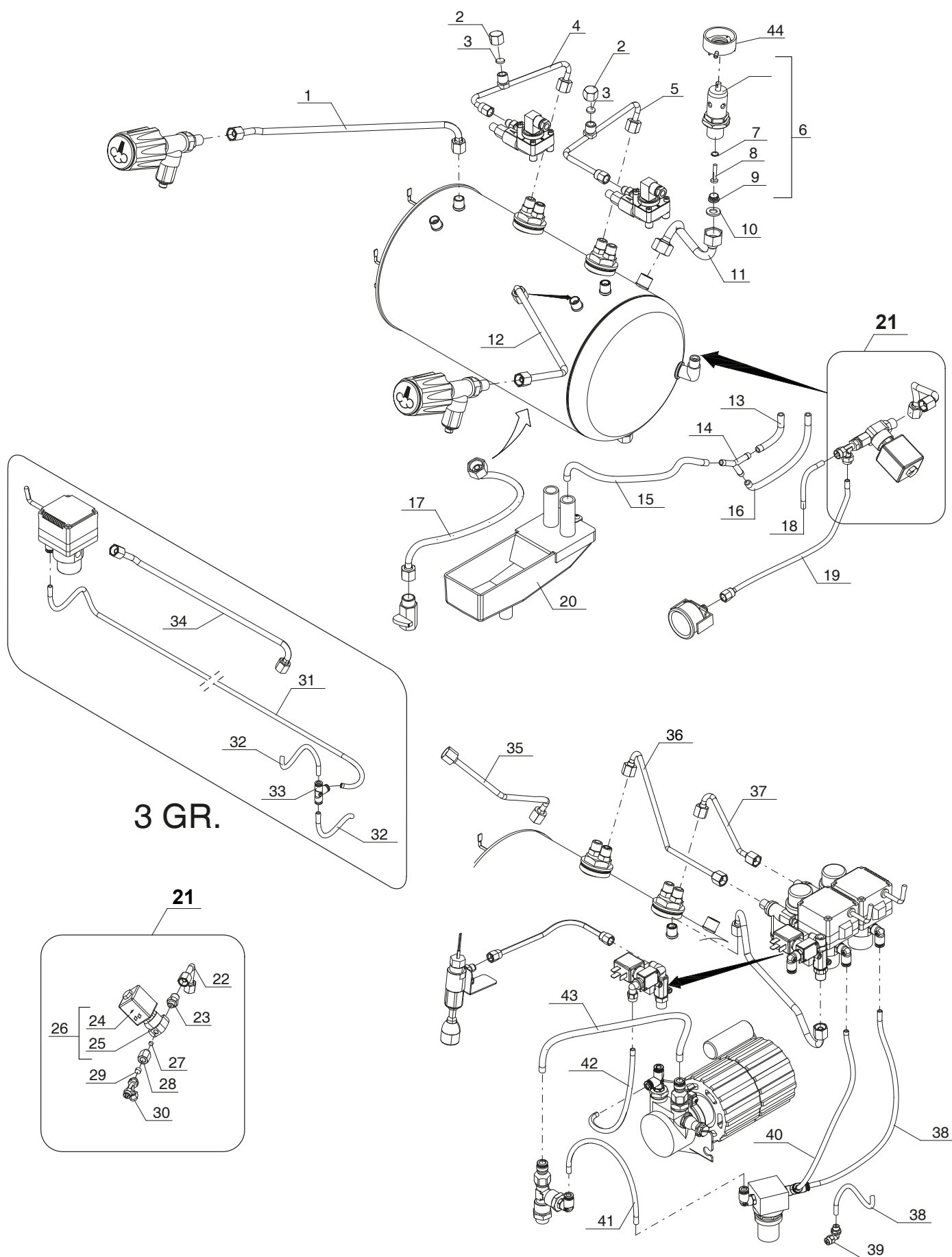


TABLE 12
Mod. DISPLAY

POS	CODE	DESCRIPTION
1	5163365LL	LEFT STEAM HOSE 1GR ARCADIA
1	5163359LL	LEFT STEAM HOSE 2GR ARCADIA
1	5163367LL	LEFT STEAM HOSE 3GR ARCADIA
2	5221813	PLUG M12X1 OT
3	5492008	GASKET D10,5X2 ASBESTOS FREE
4	5162383LL	OUTLET EXCHANGER HOSE 1°GR ARCADIA
5	5162384LL	OUTLET EXCHANGER HOSE 2°GR ARCADIA
5	5162407LL	OUTLET EXCHANGER HOSE 2°GR ARCADIA 3GR
6	5965015.06	ASSEMBLY SAFETY VALVE 1,65 BAR VITON
7	7496094	O-RING GASKET 102 VITON 70SH
8	5264017.01DC	STUD
9	5226417.01DC	1/8"G PLUG OF SAFETY VALVE
10	5492021	GASKET D18X10X2 ASBESTOS FREE
11	5164087LL	SAFETY VALVE HOSE ARCADIA
12	5163360.01LL	RIGHT STEAM HOSE 2/3GR ARCADIA
13	5194532	D8X5 L=60 SILICONE HOSE
14	7303039	FITTING "Y"
15	5194549	HOSE D8X5 L=350 SILICONE
15	5194552	HOSE D8X5 L=500 SILICONE
16	5194611	HOSE D8X5 L=140MM SILICONE
17	5163358LL	BOILER DRAIN PIPE-ARCADIA
18	5194626	D6 L=110 FEP.PIPE-PUMP/EV LA
19	5194645L	PRESSUR GAUGE PIPE L=380-ARCADIA DISPL.
20	5963038.01	DRAIN TANK
21	5965268.01PK	SOLENOID VALVE 220/240V PARKER
22	5163369LL	BOILER LOAD HOSE
23	5302014	FITTING M13X1/8"G ES.15 H23.5 OT
24	7630325	SOLENOID VALVE COIL 220/240V
25	7703011	SOLENOID VALVE WITHOUT COIL
26	7702312	SOLENOID VALVE 2WAYS 220/240V
27	5223015	JET
28	5225310	MF 1/8"G X GICLEUR ELBOW
29	5471019	WIRE DISC FILTER 8.5X5
30	7304535TR	T FITTING D6 1/8"G RUVECO
31	5194629	D6 L=1100 FEP.PIPE-REG/PUMP 1°GR3
32	5194640	D6 L=130 FEP.PIPE-REG/PUMP 2°GR3
33	7304537TR	T FITTING
34	5162401.01LL	EXCHANGER HOSE PUMP 3°GR ARCADIA 3 GROUPS
35	5162408LL	EXCHANGER HOSE PUMP 3°GR ARCADIA 3 GROUPS
36	5162411.01LL	EXCHANGER HOSE PUMP 1°GR ARCADIA 1 GROUP
36	5162386.01LL	EXCHANGER HOSE PUMP 1°GR ARCADIA 2 GROUPS
36	5162410.01LL	EXCHANGER HOSE PUMP 1°GR ARCADIA 3 GROUPS
37	5162385.01LL	EXCHANGER HOSE PUMP 2°GR ARCADIA 2 GROUPS
37	5162409.01LL	EXCHANGER HOSE PUMP 2°GR ARCADIA 3 GROUPS
38	5194622	D6 L=335 FEP PIPE-REG./PUMP 3°GR 3
39	7304536TR	UNION FITTING D6 1/8"G RUVECO GIREV
40	5194621	D6 L=270 FEP.PIPE-REG./PUMP 1GR
41	5194623	D6 L=330 FEP.PIPE-ENTRANCE/PUMP
42	5194630	D6 L=200 FEP.PIPE-SURPR.VALVE/PRESSURE GAUGE
43	5194624	D8 L=450 FEP.PIPE-ENTRANCE/PUMP
43	5194621	D6 L=270 FEP.PIPE-REG./PUMP 1GR
44	5963047	COMPLETE CUP

TABLE 12
Mod. DISPLAY

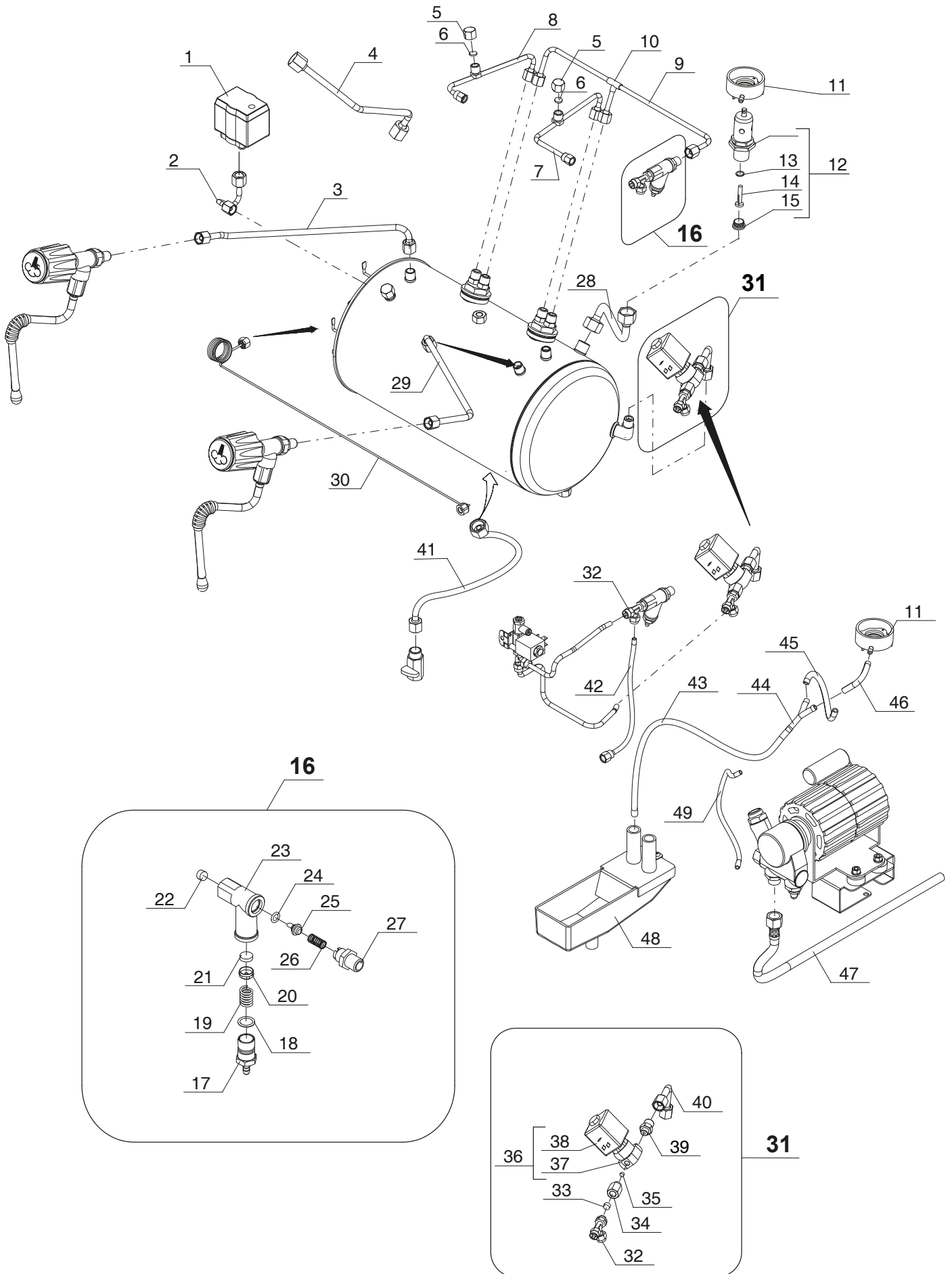


3 GR.

TABLE 12A
Mod. DE

POS	CODE	DESCRIPTION
1	7433001	PRESSURE SWITCH 30A
2	5162288LL	PRESSURE SWITCH HOSE
3	5163365LL	LEFT STEAM HOSE 1GR ARCADIA
3	5163359LL	LEFT STEAM HOSE 2GR ARCADIA
3	5163367LL	LEFT STEAM HOSE 3GR ARCADIA
4	5162408LL	OUTLET EXCHANGER HOSE 3°GR ARCADIA 3GR
5	5221813	CAP NUT M12
6	5492008	GASKET D10,5X2 ASBESTOS FREE
7	5162384LL	OUTLET EXCHANGER HOSE 2°GR ARCADIA
7	5162407LL	OUTLET EXCHANGER HOSE 2°GR ARCADIA 3GR
8	5162383LL	OUTLET EXCHANGER HOSE 1°GR ARCADIA
9	5162389LL	MANIFOLD HOSE-ARCADIA 2GR
9	5162398LL	MANIFOLD HOSE-ARCADIA 3GR
10	7304535TR	T FITTING D6 1/8"G RUVECO
11	5963047	COMPLETE CUP
12	5965015.06	ASSEMBLY SAFETY VALVE 1,65 BAR VITON
13	7496094	OR GASKET 102
14	5264017.01DC	STUD
15	5226417.01DC	PLUG
16	5965212.01AL	ASSEMBLY SURPRESSION VALVE 12BAR
17	5302077TP	RUBBER-HOLDER FITTING
18	7496052	OR GASKET 114
19	5471539	CALIBRATED SPRING D.1,6
20	5224620TP	GASKET-HOLDER
21	5493042	GASKET D.11X3
22	5471019	FILTER D8,5X5 AISI304
23	5283053TP	SURPRESSION VALVE BODY
24	7496018	OR GASKET 105 VITON
25	5224615TP	GASKET-HOLDER
26	5471505	CALIBRATED SPRING D0.45 H22 AISI 302
27	5302017TP	STRAIGHT FITTING M12 H26.5 OT
28	5164087LL	SAFETY VALVE HOSE ARCADIA
29	5163366.01LL	RIGHT STEAM HOSE-ARCADIA DE 1GR
29	5163360.01LL	RIGHT STEAM HOSE ARCADIA DE 2/3GR
30	7400901	PRESSURE GAUGE CAPELLARY
30	7400904	PRESSURE GAUGE CAPELLARY
30	7400907	PRESSURE GAUGE CAPELLARY
31	5965270PK	SOLENOID VALVE L/A COMPLTE-ARCADIA DE 220/240V
32	7304535TR	T FITTING D6 1/8"G RUVECO
33	5471019	FILTER D8,5X5 AISI304
34	5225310	MF 1/8"G FOR GICLEUR FITTING
35	5223024	JET M5X5 HOLE D0.8 OT
36	7702312	SOLENOID VALVE 2 WAY 220/240V PARKER
37	7703011	SOLENOID VALVE WITHOUT COIL PARKER
38	7630325	SOLENOID VALVE COIL 220/240V PARKER
39	5302014	FITTING M13X1/8"G ES.15 H23.5 OT
40	5163355LL	BOILER LOAD HOSE ARCADIA DE
41	5163358LL	BOILER DRAIN PIPE-ARCADIA
42	5194630LL	D6 L=200 FEP.PIPE-SURPR.VALVE/PRESSURE GAUGE
43	5194552	D8X5 L=500 SILICONE HOSE
44	7303039	FITTING "Y"
45	5194546	D8X5 L=500 SILICONE HOSE
46	5194532	D8X5 L=60 SILICONE HOSE
47	7200512	FLEXIBLE HOSE
48	5963038.01	DRAIN TANK
49	5194625	D6 L=240 FEP PIPE-PUMP/WATER EV.

TABLE 12A
Mod. DE



	POS	CODE	DESCRIPTION
TABLE 13-Mod. DISPLAY	1	7479987	AUT.STEAM ARCADIA DISPLAY
	2	7305017	TERMINAL STEAM HOSE 3 HOLES
	3	7496091	OR GASKET 108
	4	7304536TR	UNION ELBOW D6 1/8"G RUVECO
	5	5194638	TUBE PTFE L=75 ARCADIA DISPLAY
	6	5194637	TUBE PTFE L=135 ARCADIA DISPLAY
	7	7304534TR	STRAIGHT FITTING D6 1/8"G RUVECO
	8	5370313	RUBBER-HOLDER
	9	5225414	FITTING M14XM13
	10	5162388LL	AUT.STEAM PIPE-ARCADIA DISPL.
	11	5302014	FITTING M13X1/8"G
	12	7702310	SOLENOID VALVE 2 WAY 230V PARKER
	13	7630328	SOLENOID VALVE COIL 220/230V PARKER
	14	5163357LL	AUT.STEAM PIPE-ARCADIA DISPL.
	15	5963131	ASSEMBLY WATER HOSE
	16	5966548.01AL	WATER HOSE
	17	5226601TW	WATER HOSE TERMINAL M22 CHROMED
	18	7999918	CARTRIDGE AERATOR
	19	5493003	GASKET D20.5X15 H2 NBR 70SH
	20	5190501	COMPLETE CUP
	21	5471532	SPRING
	22	7496072	OR GASKET 121
	23	5222228	SPACER
	24	7666002	PROBE T.PID
	25	5057861LL	WATER SQUARE- ARCADIA WITH BUSHING
	26	5221858	WASHER D10 X 2 COPPER
	27	7304502TR	STRAIGHT FITTING 1/8"G
	28	5163364LL	E/V STEAM HOSE 1GR
	28	5163356LL	E/V STEAM HOSE 2/3GR
	29	5221844	NUT 1/8"G H3
	30	7304505TR	FITTING ELBOW 3 WAY
	31	5162387LL	WATER HOSE
	32	7702318	SOLENOID VALVE 2 WAY 24V SIRAI
	33	7371004	INSULATING
34	5494017	ARTICULATION GASKET	

TABLE 13
Mod. DISPLAY

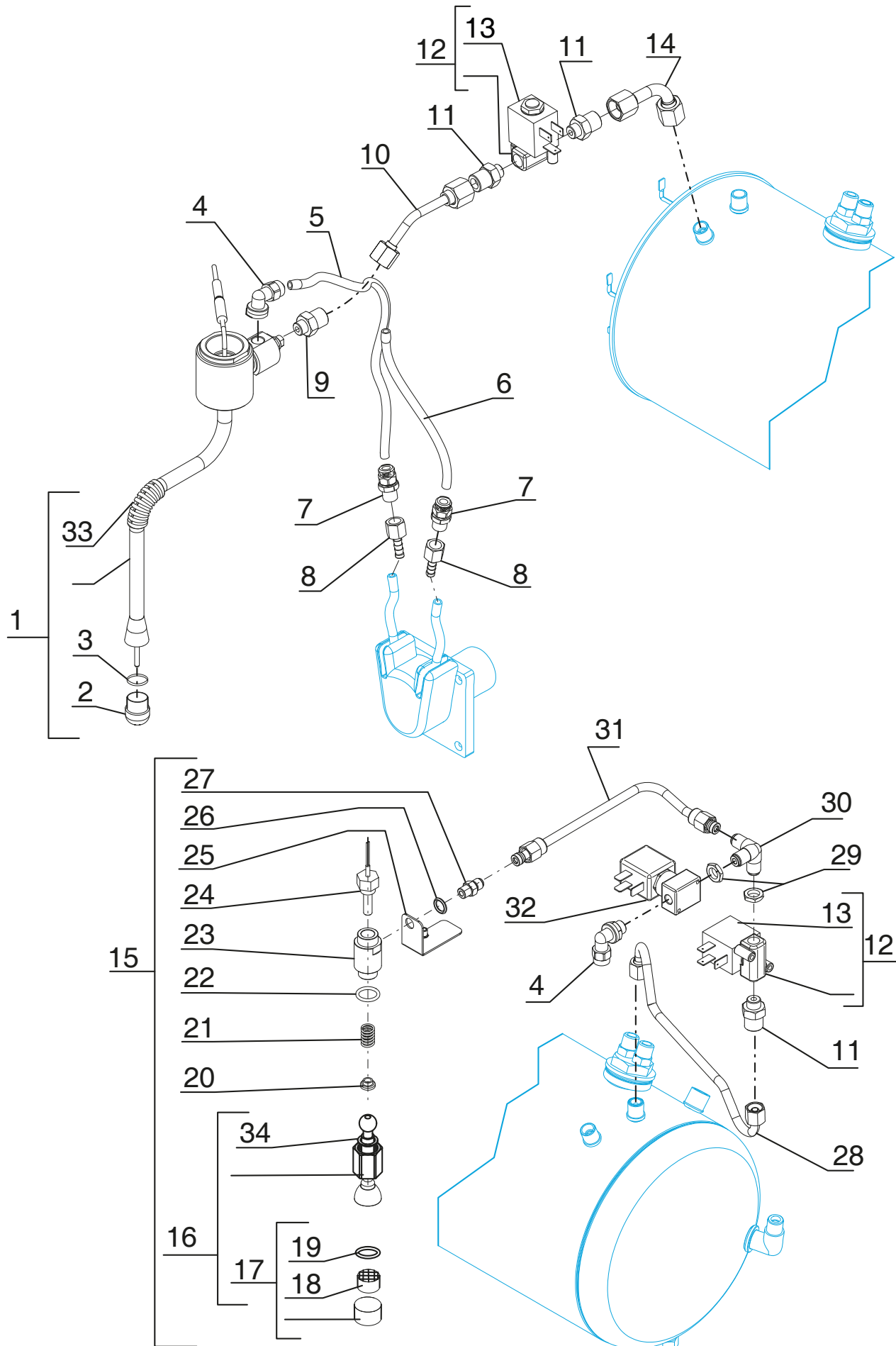
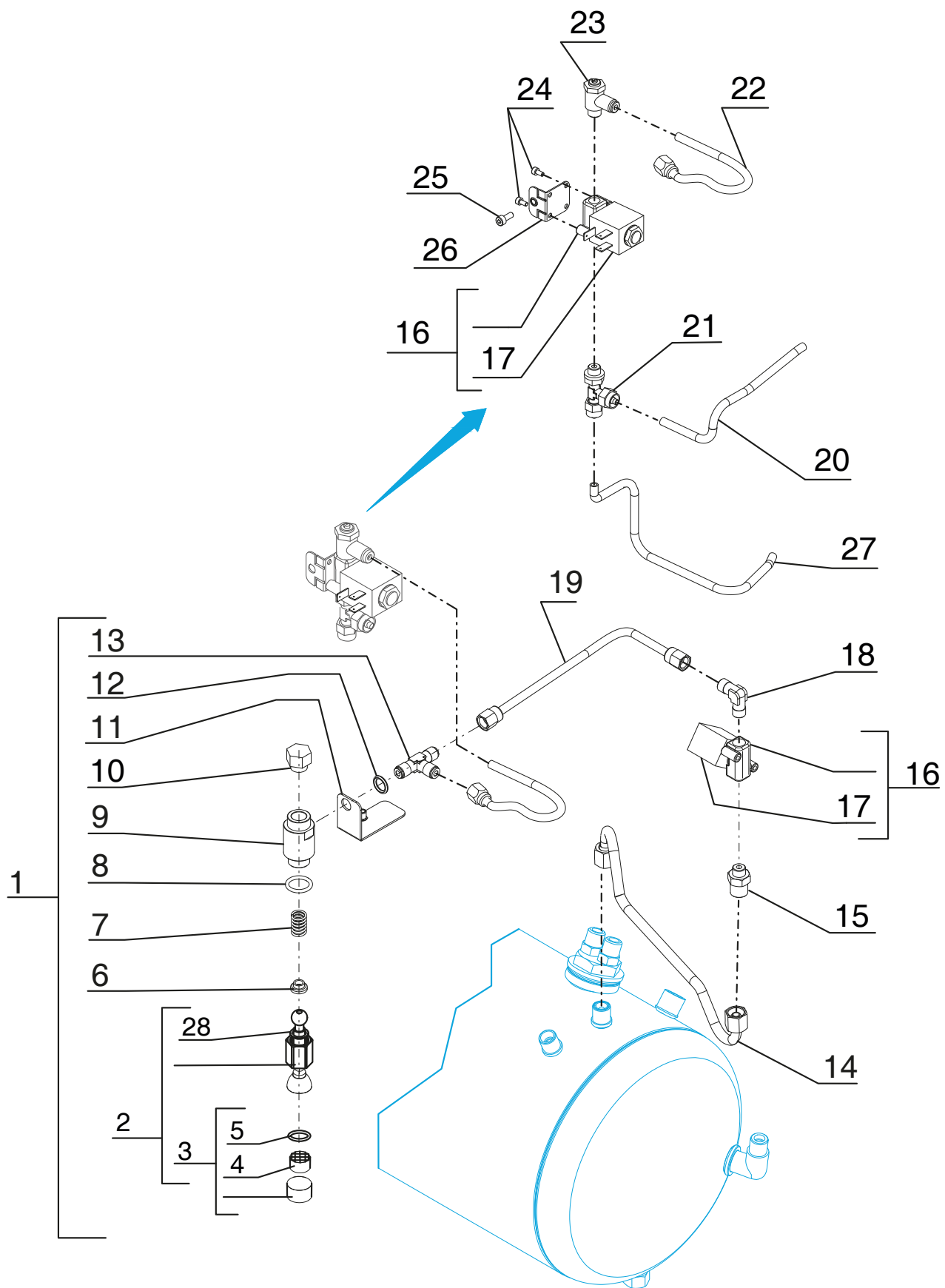
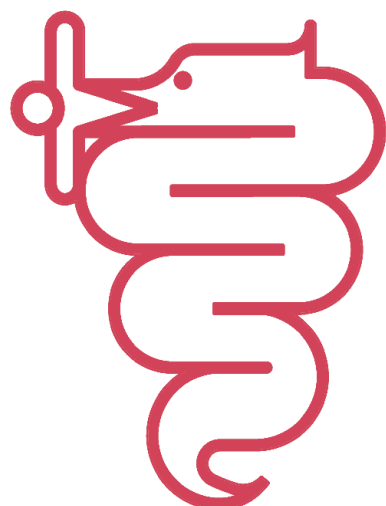


TABLE 13A
Mod. DE

POS	CODE	DESCRIPTION
1	5963132	ASSEMBLY WATER HOSE
2	5966548.01AL	WATER HOSE
3	5226601TW	TERMINAL WATER HOSE
4	7999918	CARTRIDGE AERATOR
5	5493003	GASKET D20.5X15 H2 NBR 70SH
6	5190501	COMPLETE CUP
7	5471532	SPRING
8	7496072	OR GASKET 121
9	5222228	SPACER
10	5226405TP	PLUG 1/4"G ES.16 H13 BRASS
11	5057861LL	WATER HOSE SQUARE- ARCADIA WITH BUSHING
12	5221844	NUT 1/8"G H3
13	7304509TR	T FITTING
14	5163370LL	E/V STEAM HOSE 1GR
14	5163356LL	E/V STEAM HOSE 2/3GR
15	5302014	FITTING M13X1/8"G
16	7702310	SOLENOID VALVE 2 WAY 230V PARKER
17	7630328	SOLENOID VALVE COIL 220/230V PARKER
18	7303001TR	FITTING ELBOW 1/8"G
19	5162393LL	WATER HOSE ARCADIA DE
20	5194627	D6 L=180 FEP PIPE-MIXER
21	7304535TR	T FITTING D6 1/8"G RUVECO
22	5194634LL	D4X2 L=180 PTFE PIPE-MIXER WATER EV.
23	7402403	REGULATOR
24	7816016	SCREW TCEI M3X6 UNI 5931 A2
25	7816009	SCREW TCEI M4X10 UNI 5931 A2
26	5057862LL	MIXER SQUARE- ARCADIA WITH BUSHING
27	5194647	D6 L=150 FEP
28	5494017	ARTICULATION GASKET

TABLE 13A
Mod. DE





BEZZERA

Dal 1901

G. BEZZERA S.R.L.
MACCHINE PER CAFFE' ESPRESSO

Via Luigi Bezzera, 1

20088 Rosate - Milano - Italy

Tel. ++39 02 90848102 r.a. - Telefax ++39 02 90870287

Web: www.bezzera.com

e-mail: admin@bezzera.it