

20 GN 1/1 ELECTRIC CONVECTION / STEAM OVEN
FORNO CONVEZIONE / VAPORE ELETTRICO 20 GN 1/1

PNC	Model	Ref	Group	Level	Page	Notes
190339	AOS201ECE2	w1	AOS	Level C	2...11	Marine (440V - 3N 60Hz)
190356	AOS201ECF2	z2	AOS	Level C	2...11	Marine (400V - 3 50Hz)
190965	FCZ201ETE	x1	FCZ	Touch	2...11	Marine (440V - 3N 60Hz)
190AL2	AOS201EBA2	n2	AOS	Level B	2...11	STD (400V - 3N)
236204	FCZ201EKA	q1	FCZ	Level K	2...11	STD (400V-3N)
236224	FCZ201EKN	r1	FCZ	Level K	2...11	Norvegia (230V-3)
237204	FCZ201ETA	a1	FCZ	Touch	2...11	STD (400V - 3N)
237214	FCZ201ETH	b1	FCZ	Touch	2...11	P80 (400V - 3N)
237224	FCZ201ETN	c1	FCZ	Touch	2...11	Norvegia (230V - 3)
238204	FCZ201EBA2	d1	FCZ	Level B	2...11	STD (400V - 3N)
238214	FCZ201EBH2	e1	FCZ	Level B	2...11	P80 (400V - 3N)
238224	FCZ201EBN2	f1	FCZ	Level B	2...11	Norvegia (230V - 3)
238234	FCZ201EBC2	g1	FCZ	Level B	2...11	Giappone (200V - 3)
239204	FCZ201ECA2	h1	FCZ	Level C	2...11	STD (400V - 3N)
239214	FCZ201ECH2	i1	FCZ	Level C	2...11	P80 (400V - 3N)
239224	FCZ201ECA2	l1	FCZ	Level C	2...11	Norvegia (230V - 3)
266204	AOS201EKA1	o1	AOS	Level K	2...11	STD (400V-3N)
266224	AOS201EKN1	p1	AOS	Level K	2...11	Norvegia (230V-3)
266354	AOS201EKR1	s1	AOS	Level K	2...11	400V 3N 50/60HZ AUS
266404	AOS201EKAS	z1	AOS	Level K	2...11	STD (400V-3N)
267204	AOS201ETA1	a	AOS	Touch	2...11	STD (400V - 3N)
267214	AOS201ETH1	b	AOS	Touch	2...11	P80 (400V - 3N)
267224	AOS201ETN1	c	AOS	Touch	2...11	Norvegia (230V - 3)
267234	AOS201ETC1	d	AOS	Touch	2...11	Giappone (200V - 3)
267244	AOS201ETE1	e	AOS	Touch	2...11	Marine (440V - 3)
267254	AOS201ETF1	f	AOS	Touch	2...11	Marine (400V - 3)
267284	AOS201ETM1	h	AOS	Touch	2...11	USA (208V - 3)
267304	AOS201ETK1	l	AOS	Touch	2...11	UK (400V - 3N)
267324	AOS201ETV1	m1	AOS	Touch	2... 11	USA (480V-3)
267354	AOS201ETR1	t1	AOS	Touch	2...11	400V 3N 50/60HZ AUS
268204	AOS201EBA2	n	AOS	Level B	2...11	STD (400V - 3N)
268214	AOS201EBH2	o	AOS	Level B	2...11	P80 (400V - 3N)
268224	AOS201EBN2	p	AOS	Level B	2...11	Norvegia (230V - 3)
268234	AOS201EBC2	q	AOS	Level B	2...11	Giappone (200V - 3)

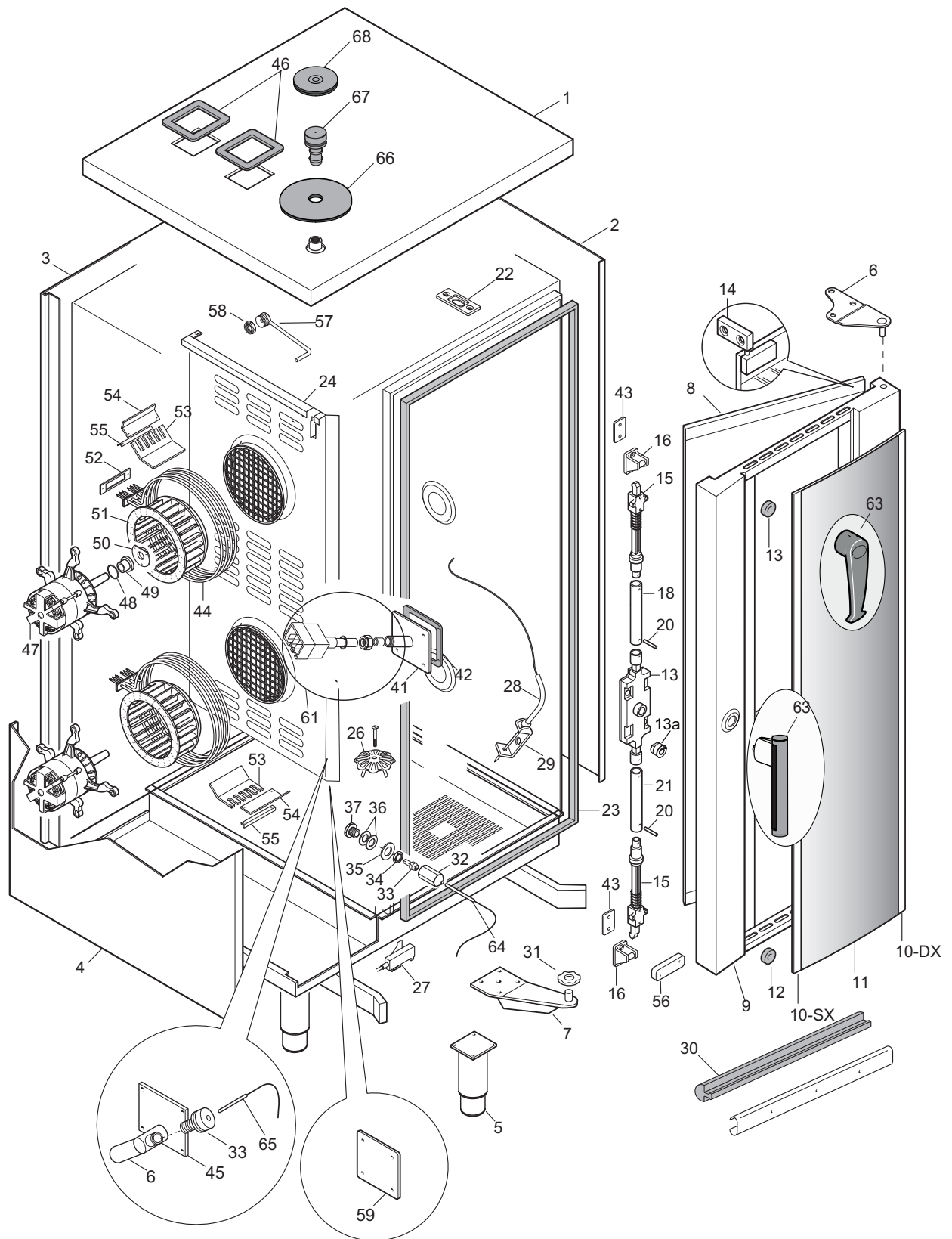
20 GN 1/1 ELECTRIC CONVECTION / STEAM OVEN
FORNO CONVEZIONE / VAPORE ELETTRICO 20 GN 1/1

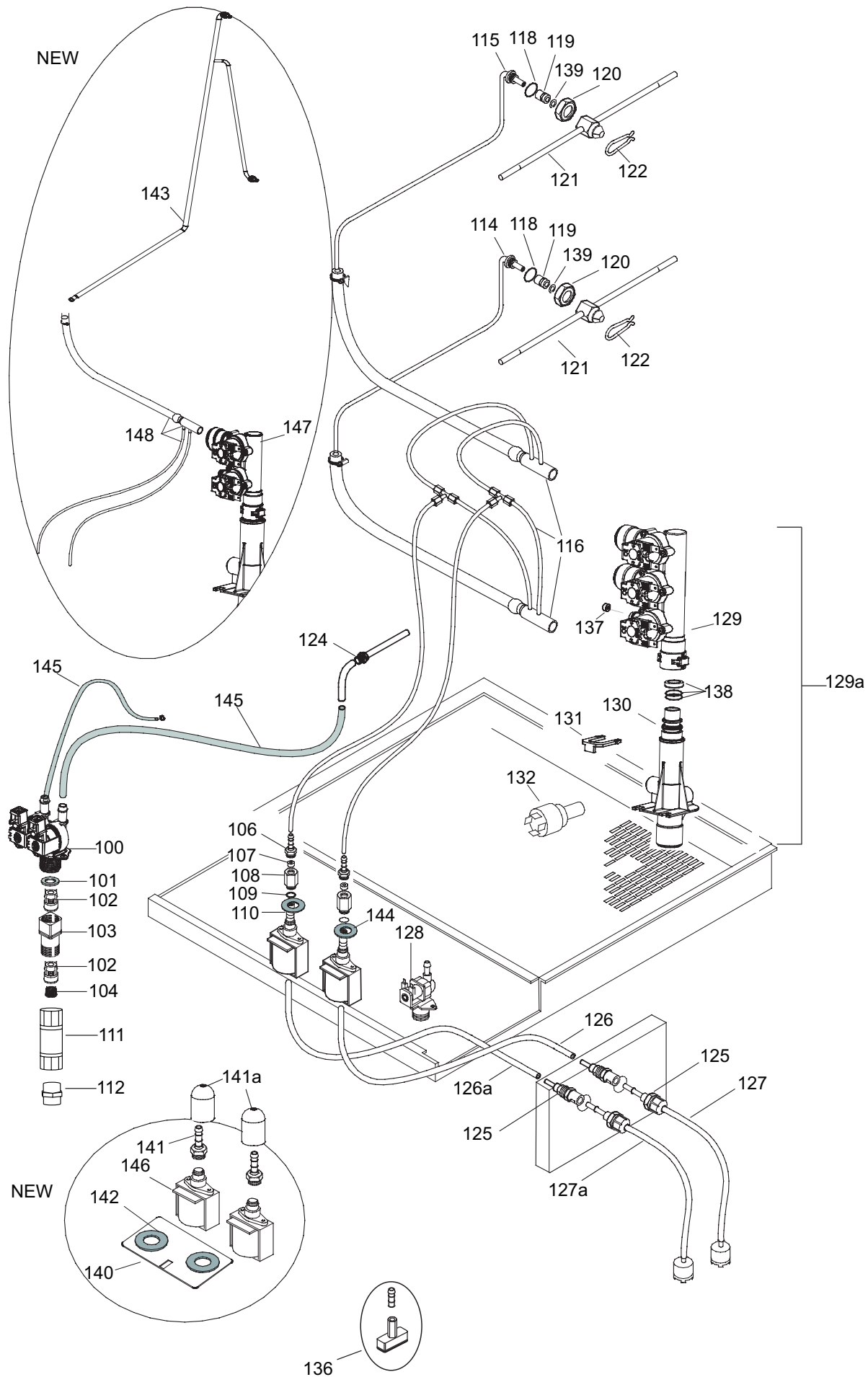
PNC	Model	Ref	Group	Level	Page	Notes
268244	AOS201EBE2	r	AOS	Level B	2...11	Marine (440V - 3)
268254	AOS201EBF2	s	AOS	Level B	2...11	Marine (400V - 3)
268304	AOS201EBH2	t	AOS	Level B	2...11	UK (400V - 3N)
268354	AOS201EBR2	u1	AOS	Level B	2...11	400V 3N 50/60HZ AUS
269204	AOS201ECA2	u	AOS	Level C	2...11	STD (400V - 3N)
269214	AOS201ECH2	v	AOS	Level C	2...11	P80 (400V - 3N)
269224	AOS201ECN2	z	AOS	Level C	2...11	Norvegia (230V - 3)
269304	AOS201ECK2	n1	AOS	Level C	2... 11	UK (400V - 3N)
269354	AOS201ECR2	v1	AOS	Level C	2...11	400V 3N 50/60HZ AUS

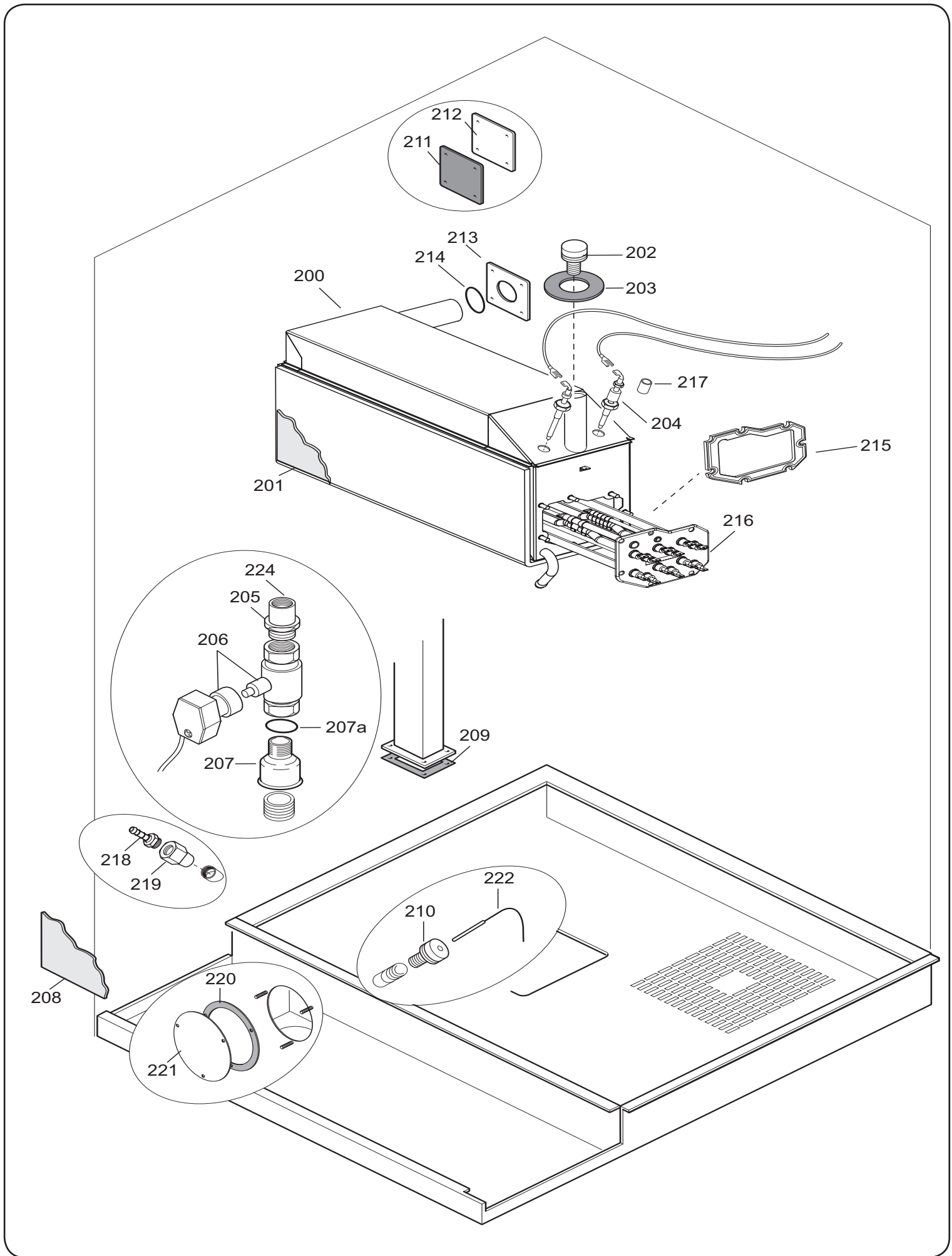
Page	Index	Indice	Note
3	Oven cabinet and door	Cella forno e porta	
4	Water system	Impianto idraulico	
5	Boiler	Boiler	
6	Electrical components	Componenti elettrici	
7	Accessories	Accessori	
8...15	Spare parts list	Lista ricambi	
15	Maintenance Kit	Kit di manutenzione	

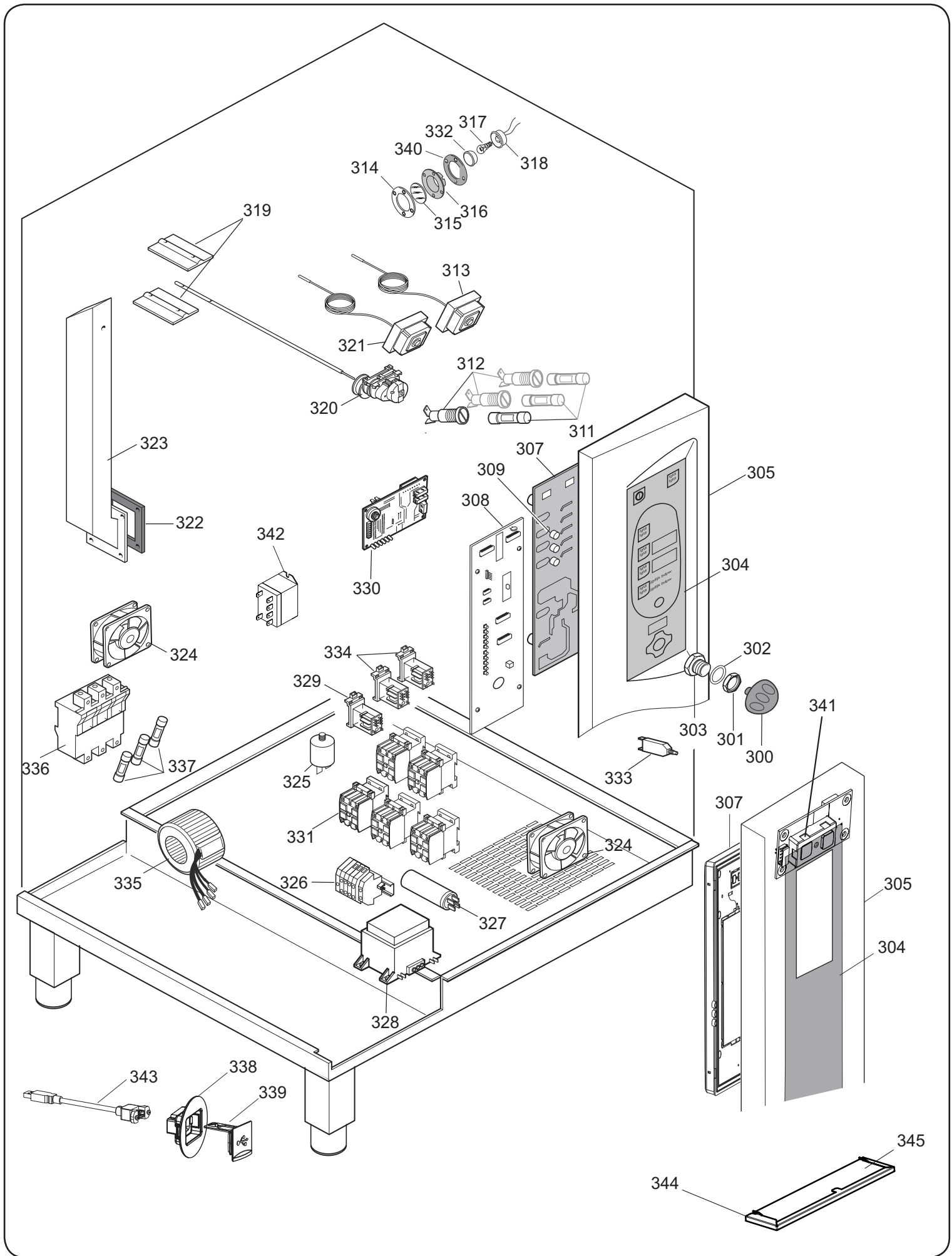
Bold=last change / Grassetto =ultima modifica

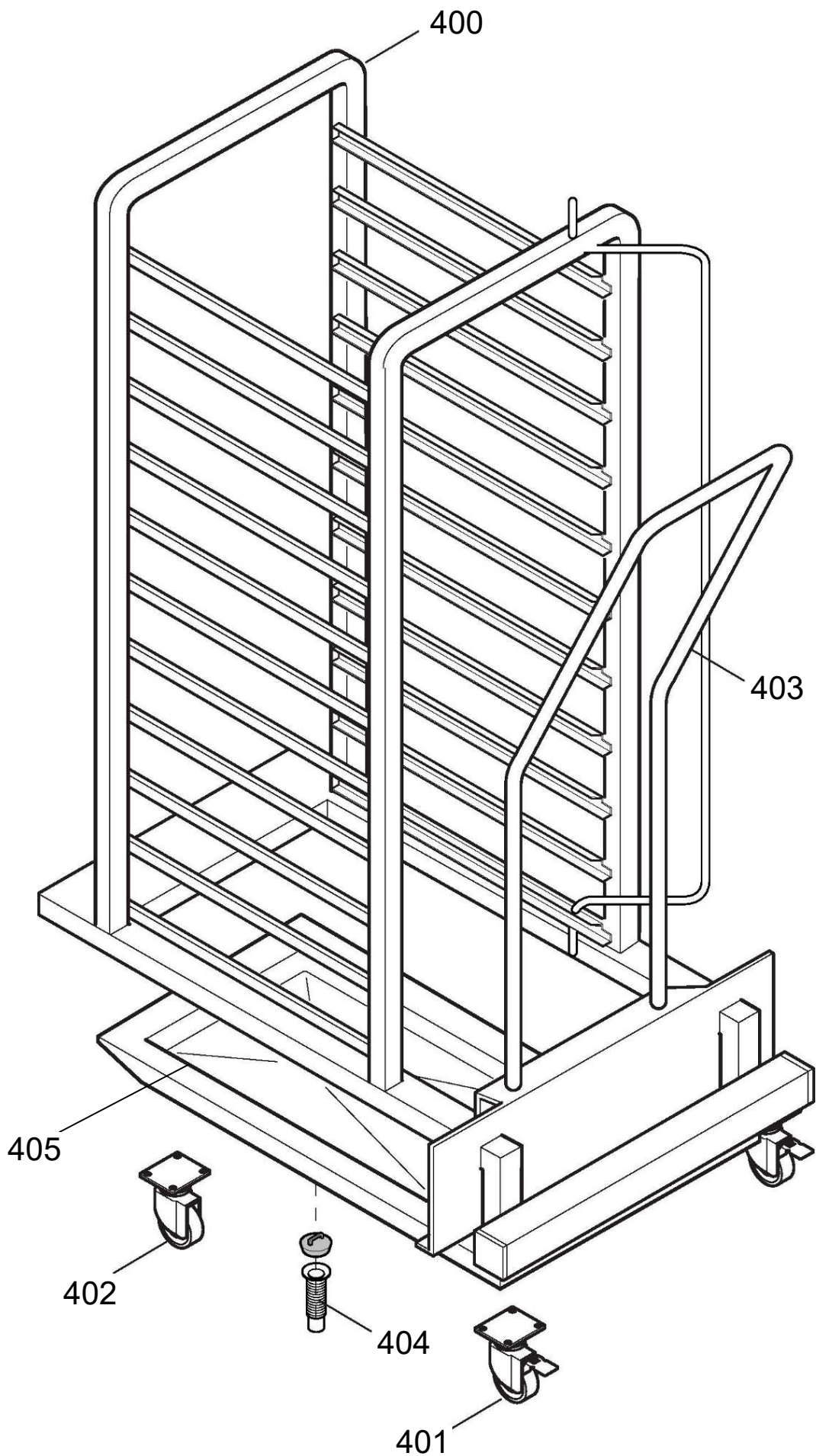
Rev. 17 Brand/Marchio: All
 Factory Code: 9PDD











20 GN 1/1 ELECTRIC CONVECTION / STEAMER OVEN
FORNO CONVEZIONE / VAPORE ELETTRICO 20 GN 1/1

Pos	Factory Code	Spare part code	Descrizione	Description	Ref./Notes
			Pagina 3	Page 3	
1	0530891900	0C6183	COPERCHIO	COVER	
1	0873871302	0C4305	COPERCHIO	COVER	Lev. C, K
2	0538832001	0C6205	FIANCO DX	RIGHT SIDE PANEL	
3	0538834001	0C6207	SCHIENALE	BACK PANEL	
3	0500400A01	*	SCHIENALE	BACK PANEL	Marine
4	0538834500	0C6209	FIANCO SX	LEFT SIDE PANEL	
5	0806871700	0C4824	PIEDE	FOOT	
5	0806871800	0C4825	PIEDE	FOOT	Marine
6	0512816004	007086	CERNIERA SUPERIORE	UPPER HINGE	
7	0806843301	0C2483	CERNIERA INFERIORE	LOWER HIGE	
8	0873870102	0C5083	ASS. VETRO INTERNO	ASS. INNER GLASS	
9	0879400802	0C6603	PORTA COMPLETA NO VETRO ESTERNO	COMPLETE DOOR NO EXTERNAL GLASS	Up to 4471
9	0879400804	0CA145	PORTA COMPLETA NO VETRO ESTERNO	COMPLETE DOOR NO EXTERNAL GLASS	From 4481
9	0879400C02	0C6607	PORTA COMPLETA NO VETRO ESTERNO	COMPLETE DOOR NO EXTERNAL GLASS	Marine - Up to 4471
9	0879400C04	0TTLPG	PORTA COMPLETA NO VETRO ESTERNO	COMPLETE DOOR NO EXTERNAL GLASS	Marine - From 4481
10	0530873600	0C4970	PROFILO FERMAVETRO DX	RIGHT TRIM	
10	0530873700	0C4971	PROFILO FERMAVETRO SX	LEFT TRIM	
11	0574815303	0C6561	VETRO ESTERNO	EXTERNAL GLASS	AOS
11	0574818701	0C4945	VETRO ESTERNO	EXTERNAL GLASS	FCZ
12	0543828001	006976	AMMORIZZATORE	DAMPER	
*	0856808701	0C4119	ASSIEME CHIUSURA	LOCK MECHANISM ASSEMBLY	
13	0853821500	003824	CORPO CHIUSURA	CORE DOOR LOCK	
13a	0806873501	0C8627	BOCCOLA	MECHANISM BUSH	
14	0806822000	007007	CERNIERA VETRO INTERNO	HINGE, INNER GLASS	
15	0853821600	003822	MECCANISMO DI ESTREMITA'	HOOK	
16	0538804900	0C3802	NASELLO CHIUSURA PORTA	CATCH DOOR CLOSING	
18	0513800501	0C4309	ASTA SUPERIORE	SUP. LEVER DOOR LOCK MEC.	
20	0214593100	0H6043	SPINA ELASTICA	ELASTIC PIN	
21	0513801100	0C4310	ASTA INFERIORE	INF. LEVER DOOR LOCK MEC.	
22	0543839700	0C4088	GUARNIZIONE FLANGIA SPILLONE	GASKET	
23	0543833700	0C1473	GUARNIZIONE CELLA	CAVITY GASKET	
24	0831849104	0C4798	PARETE DI ASPIRAZIONE	SUCTION WALL	
26	0518808600	0C1740	FILTRO FONDO	FILTER	
27	0654600000	049621	INTERRUTTORE MAGNETICO	MAGNETIC SWITCH	
28	0830400A01	0C6573	SONDA SPILLONE SINGOLO	MEAT PROBE (SINGLE POINT)	Level B, C, K from 015 up to 7391
28	0830408101	0CB215	SONDA SPILLONE SINGOLO	MEAT PROBE (SINGLE POINT)	Level B, C, K from 7401 except for n2
28	0830400B01	0C6574	SONDA SPILLONE MULTIPOINT	MEAT PROBE (MULTIPOINT)	Level A, Touch from 015 up to 7391
28	0830408201	0CB216	SONDA SPILLONE MULTIPOINT	MEAT PROBE (MULTIPOINT)	Level A, Touch from 7401 and n2
29	0527865201	0C1505	SUPPORTO SPILLONE	MEAT PROBE SUPPORT	Up to 7391
29	0506404T00	0CB144	SUPPORTO SPILLONE	MEAT PROBE SUPPORT	From 7401
30	0543839501	0C4121	GUARNIZIONE	GASKET	
31	0510815700	002653	POSIZIONATORE	POSITIONER	
32	0516855300	006991	DADO SONDA CELLA	NUT, CAVITY PROBE	

20 GN 1/1 ELECTRIC CONVECTION / STEAMER OVEN
FORNO CONVEZIONE / VAPORE ELETTRICO 20 GN 1/1

Pos	Factory Code	Spare part code	Descrizione	Description	Ref./Notes
33	0543842600	0C4872	TAPPO PER SENSORE	STOPPER FOR SENSOR	
34	0214105101	020997	CONTRODADO	LOCK NUT	
35	0508838701	002700	RONDELLA	WASHER	
36	0543816300	002624	TENUTA	GASKET	
37	0516809400	002623	RACCORDO SONDA CELLA	CONNECTION, CAVITY PROBE	
41	0806857201	0C4244	CONDOTTO SONDA LAMBDA	DUCT, LAMBDA PROBE	Level A
42	0543838300	0C4093	GUARNIZIONE	GASKET	
43	0538807400	0C4122	DISTANZIALE 20/10	SPACER 20/10	
44	0617823801	007064	RESISTENZA (5.6 kW/400V)	HEATING ELEMENT (5.6 kW/400V)	C 400V always Touch 400V up to 37/2011
44	0617400801	0C6501	RESISTENZA (5.6 kW/400V)	HEATING ELEMENT (5.6 kW/400V)	B, K 400V always Touch 400V from 38/2011
44	0617826900	007066	RESISTENZA (5.6 kW/230V)	HEATING ELEMENT (5.6 kW/230V)	230V
44	0617827000	0C1936	RESISTENZA (5,6 kW/440V)	HEATING ELEMENT (5,6 kW/440V)	440V Up to 2011/15
44	0617400Q00	0C7059	RESISTENZA (5.6 kW/440V)	HEAT. ELEMENT (5.6 kW/440V)	440V From 2011/16
44	0617829200	0C1396	RESISTENZA (5,5 kW/208V USA)	HEAT. ELEMENT (5,5 kW/208V USA)	208V
44	0617829800	0C1500	RESISTENZA (5,5 kW/240V USA)	HEAT. ELEMENT (5,5 kW/240V USA)	240V
44	0617838900	0C6026	RESISTENZA (5,5 kW/200V)	HEAT. ELEMENT (5,5 kW/200V)	200V
45	0806856300	0C4311	CONDOTTO BY-PASS	BY-PASS DUCT	Level B
46	0543832101	0C1194	GUARNIZIONE CONDOTTO ARIA	GASKET AIR DUCT	
47	0611806001	006998	MOTORE	MOTOR	K, TOUCH, B, Marine up to 2015/47
47	0611809000	0C5287	MOTORE	MOTOR	Level C
47	0611807300	0C1474	MOTORE	MOTOR	208V 60Hz
47	0611400100	0C6936	MOTORE	MOTOR	Marine from 2015/48 Touch 480V and x1
48	0543816700	002873	O RING	O RING	
49	0516808902	002699	CUSCINETTO	BEARING	
50	0538815401	0C4138	FLANGIA	FLANGE	
51	0835400800	0C6463	VENTOLA	FAN	
52	0543816501	002689	GUARNIZIONE RESISTENZE CELLA	GASKET, CAVITY HEAT. ELEMENT	
53	0505404N00	0C3830	STAFFA	SUPPORT	
54	0503891801	006256	STAFFA	SUPPORT	
55	0503897402	006253	ANGOLARE	SUPPORT	
56	0699603700	049627	MAGNETE	MAGNET	
57	0856828400	0C4975	CONDOTTO UMIDIFICATORE	HUMIDIFIER PIPNG	Level C, K
58	0516887101	0C6228	DADO CONDOTTO	NUT HUMIDIFIER	Level C, K
59	0527898900	0C4857	PIASTRA CHIUSURA	FLANGE	Level C, K
61	-	0C6465	KIT SONDA LAMBDA	LAMBDA KIT	Level Touch
63	0830400200	0C6568	MANIGLIA COMPLETA	COMPLETE DOOR HANDLE	AOS
63	0806873601	0C8719	MANIGLIA COMPLETA	COMPLETE DOOR HANDLE	FCZ
64	0830898902	0C6538	SENSORE TEMPERATURA	TEMP. PROBE	
65	0830899101	0C6539	SENSORE TEMPERATURA	TEMP. PROBE	Level Touch, B
65	0831829400	0C3457	SENSORE TEMPERATURA	TEMP. PROBE	Level K
66	0543400900	0C7016	GUARNIZIONE PER TUBO	PIPE GASKET	
67	0543816601	002692	TAPPO CARICO DISINCROST.	RECHARGE CAP FOR SCALER	

20 GN 1/1 ELECTRIC CONVECTION / STEAMER OVEN
FORNO CONVEZIONE / VAPORE ELETTRICO 20 GN 1/1

Pos	Factory Code	Spare part code	Descrizione	Description	Ref./Notes
68	0543843201	0C4965	GOMMINO CHIUSURA ING.DISIN	GASKET	
			Pagina 4	Page 4	
100	0696808400	0C5517	ELETTROVALVOLA 2 VIE	WATER VALVE 2 WAYS	Level Touch, B
101	0543840600	0C4096	GUARNIZIONE FILTRO REFLEX	GASKET	Level Touch, B
102	0549801800	0C2312	VALVOLA NON RITORNO	NOT RE-FLOW VALVE	Level Touch, B
103	0516879400	0C2313	RACCORDO ENTRATA ACQUA	PIPE FITTING	Level Touch, B
104	0543840600	0C4096	ASSIEME FILTRO	FILTER	
106	0516896102	0C4198	PORTAGOMMA	CONNECTION	
107	0544809000	0C1117	VALVOLA NON RITORNO OF10D	VALVE	
108	0516871900	0C1116	RACCORDO PER POMPA	PUMP CONNECTION	
109	0543832300	0C1935	O. RING	OR	
110	0680801201	0C2341	POMPA	PUMP	50 Hz
	-	0C5371	KIT POMPA 0C2341+0C1116+0C1935	PUMP KIT 0C2341+0C1116+0C1935	50 Hz
110	0680801301	0C2342	POMPA	PUMP	60 Hz
111	0652608800	0L2980	DOPPIA VALVOLA DI RITEGNO	DOUBLE CHECK VALVE	AUS products
112	0511851200	*	GIUNTO M.3/4" - M.3/4"	COUPLING M.3/4"- M.3/4"	AUS products
114	0806871100	0C6031	ASS CONDOTTO BASSO	WASHING PIPING DOWN	Up to 2011/44
115	0806870900	0C6047	ASS.CONDOTTO ALTO	WASHING PIPING UP	Up to 2011/44
116	0805400400	0C6204	ASS. COLLETORE + TUBI	COLLECTOR+PIPING	Up to 2010/42
118	0543841400	0C4201	ANELLO DI TENUTA	OR	
119	0516898301	0C4467	ATTACCO PER GETTO	CONNECTION FOR WASH ARM	
120	0516892301	0C4202	DADO	NUT	
121	0806873900	0C5503	ASSIEME GETTO ROTANTE	ROTATING WASHING JET	
122	0518807100	007026	MOLLA AGGANCIO GETTO ROTA	SPRING	
124	0H22982800	007075	TUBO UMIDIFICATORE 57X2/5	PIPING	Level Touch, B
124	0856828600	0C4977	TUBO UMIDIFICATORE	PIPING	Level C, K
125	083040HH00	0CB561	GRUPPO COLLEGAMENTO EXT.	EXTERNAL PIPING	
126	-	0C9799	TUBO FLESSIBILE 6x8mm rosso	FLEX PIPE 6x8mm red	
126a	-	0C9800	TUBO FLESSIBILE 6x8mm blu	FLEX PIPE 6x8mm blu	
127	-	0C9797	TUBO FLESSIBILE 4x6mm rosso	FLEX PIPE 4x6mm red	
127a	-	0C9798	TUBO FLESSIBILE 4x6mm blu	FLEX PIPE 4x6mm blu	
128	0696808200	0C5515	ELETTROVALVOLA	WATER VALVE	Level C
128	0696808801	0C6170	ELETTROVALVOLA	WATER VALVE	Level B
129	0696400400	0C6407	GRUPPO VALVOLE CLEANYNG	VALVE GROUP C.S.	Level C Up to 2010/42
129a	0835400P00	0C8670	GRUPPO VALVOLE CLEANYNG UNIF.	VALVE GROUP C.S. ASSEMBLED	Level C from 2010/42 Up to 2011/44
129a	0835400N00	0C8669	GRUPPO VALVOLE CLEANYNG UNIF.	VALVE GROUP C.S. ASSEMBLED	Touch, B from 2010/42 Up to 2011/44
129	0696808700	0C6372	GRUPPO VALVOLE CLEANYNG	VALVE GROUP C.S.	Level Touch, B Up to 2010/42
130	0831857200	0C6370	ASSIEME COLLETORE LAVAGGIO	CONNECTION,C.S.	
131	0546825100	0C6222	FORCELLA SICUREZZA	CLIP	
132	0646817201	0C6217	PRESSOSTATO ATTACCO RAPID	CONNECTION FOR WASH	
136	-	0C6467	KIT SUPPORTO SERBATOIO	KIT TANK SUPPORT	0C6199+0C6201+ 0C6466
137	-	0C6375	KIT RIDUTTORI	FLOW REDUCER KIT	
138	-	0C6377	KIT O-RING +BUSSOLA	O-RING +BUSH KIT	

20 GN 1/1 ELECTRIC CONVECTION / STEAMER OVEN
FORNO CONVEZIONE / VAPORE ELETTRICO 20 GN 1/1

Pos	Factory Code	Spare part code	Descrizione	Description	Ref./Notes
139	0219035015	0C6421	ANELLO ELASTICO	ELASTIC RING	
140	0505401R00	0C7924	PIASTRINA FISSAGGIO POMPE	FIXING PLAQUE	
141	0544400C01	0C8348	PORTAGOMMA Ø5-1/8' CON OR	RUBBER HOLDER	Up to 5151
141	0544400C02	0CA348	PORTAGOMMA Ø5-1/8' CON OR	RUBBER HOLDER	From 5161
141a	0546400J00	0C9538	CAPPUCCIO DI PROTEZIONE	PROTECTION CAP	
142	0543400R00	0C7925	PASSACAVO	WIRING BUSH	
143	0805402400	0C8328	TUBO EXT	EXT. PIPE	from 2011/44
144	0246530100	005382	GOMMINO	GASKET	
145	0544819400	0C5829	TUBO EPDM BLU	EPDM PIPE	
146	0686400100	0C8347	POMPA DEFOND PHOENIX	PHOENIX DEFOND PUMP	Up to 4441
146	0686400201	0CA112	POMPA CEME	CEME PUMP	From 4451
147	0835400L00	0C8683	GRUPPO ENTRATA ACQUA	GROUP WATER INLET	Level K, Touch, B from 2011/44
147	0835400M00	0C8684	GRUPPO ENTRATA ACQUA	GROUP WATER INLET	C from 2011/44
148	0805400403	0C8458	ASS. COLLETORE + TUBI	COLLECTOR+PIPING	from 2011/44
149	0855400Q00	0C1128	DOCETTA	WATER SPRAY GUN	P80 Touch and B
			Pagina 5	Page 5	
200	0878401400	0C9664	KIT ASSIEME BOILER	BOILER ASS.Y KIT	
201	0560856300	0C5060	KIT ISOLAMENTO BOILER EL.	KIT INSULATION	
202	0543816601	002692	TAPPO	STOPPER	
203	0543817500	002634	GOMMINO INGRESSO DISINCR.	GASKET	
203	0543843200	0C4965	GOMMINO INGRESSO DISINCR.	GASKET	Lev. C, K
204	0830890600	0C1201	SONDA DI LIVELLO	LEVEL PROBE	
205	0516809501	007117	RACCORDO PER VALVOLA	CONNECTION	
206	0689400000	0CB250	VALVOLA DI SCARICO 230V	DRAIN VALVE 230V	Level Touch and B
206	0689400500	0CB251	VALVOLA DI SCARICO 240V	DRAIN VALVE 240V	Level Touch USA
207	0511817600	007040	MANICOTTO RIDOTTO	CONNECTION	
207a	0543816800	002874	O-RING	SEALING RING	For Touch, Lev. B
208	0560840803	*	KIT ISOLAMENTO AIR BREAK	KIT ISOLATION	
209	0543832400	0C4133	GUARNIZIONE AIR BREAK	AIR BREAK GASKET	
210	0543842600	0C4872	TAPPO PER SENSORE	STOPPER FOR SENSOR	
211	0527898700	0C4856	FLANGIA CHIUSURA FORO BOILER	FLANGE	Lev. C, K
212	0543842800	0C4963	GUARN. CHIUSURA FORO BOILER	GASKET	Lev. C, K
213	0527898600	0C4821	FLANGIA TENUTA BOILER	FLANGE, BOILER	
214	0543816800	002874	OR TENUTA BOILER	OR BOILER	
215	0543844800	0C5834	GUARNIZIONE RESISTENZA	GASKET	
216	0617836502	0C5841	RESISTENZA BOILER (24 kW/400V)	HEAT. ELEM. BOILER (24 kW/400V)	400V
216	0617837500	0C5844	RESISTENZA BOILER (24 kW/230V)	HEAT. ELEM. BOILER (24 kW/230V)	230V
216	0617838402	0C5847	RESISTENZA BOILER (24 kW/440V)	HEAT. ELEM. BOILER (24 kW/440V)	440V
216	0617837200	0C5822	RESIST. BOILER (17 kW/208V USA)	HEATING ELEM. BOIL. 17 kW/208V	208V
216	0617837800	0C5825	RESIST. BOILER (17 kW/240V USA)	HEATING ELEM. BOIL. 17 kW/240V	240V
216	0617839500	0C6027	RESIST. BOILER (17 kW/200V)	HEATING ELEM. BOIL. 17 kW/200V	200V
217	0515857001	055347	DISTANZIALE	SPACER	
218	0510828000	0C5564	RESCA D12 FILETT 1/4' GAS	PIPE CONNECTION	
219	0516879600	0C4099	UGELLO 'ELPIS'1/4'FD3.5-3/8'M	NOZZLE	
220	0543400000	0C7033	GUARNIZIONE PORTELLO	GASKET	Level Touch
221	0J89061403	0C3443	PORTELLO ISPEZIONE	INSPECTION COVER	
222	0830899101	0C6539	SONDA BYPASS 1100 mm BIANCO	BYPASS PROBE 1100mm WHITE	Level Touch and B

20 GN 1/1 ELECTRIC CONVECTION / STEAMER OVEN
FORNO CONVEZIONE / VAPORE ELETTRICO 20 GN 1/1

Pos	Factory Code	Spare part code	Descrizione	Description	Ref./Notes
222	0831829400	0C3457	SONDA BYPASS 2000 mm	BYPASS PROBE 2000mm	Level K
224	0544820201	0C5006	TUBO FLESSIBILE BOILER	BOILER HOSE	
			Pagina 6	Page 6	
300	0806874001	0C5600	MANOPOLA	HANDLE	Up to 041
300	548872200	0C4875	MANOPOLA	HANDLE	From 042
301	0214114900	051263	CONTRODADO	LOCK NUT	Level B, C, K
302	0508836400	002727	RONDELLA	DISK	Level B, C, K
303	0516807301	002662	BOCCOLA	BUSH	Level B, C, K
304	0548400600	0C6550	MEMBRANA LIV.TOUCH	LAYER LEV. TOUCH	AOS
304	0548400B00	0C6551	MEMBRANA LIV.TOUCH	LAYER LEV. TOUCH	FCZ
304	0548400G00	0C6554	MEMBRANA LIV.B	LAYER LEV. B	Level B AOS
304	0675855001	0C4948	MEMBRANA LIV.B	LAYER LEV. B	Level B FCZ
304	0548400K00	0C6557	MEMBRANA LIV.C	LAYER LEV. C	Level C AOS
304	0675855102	0C4949	MEMBRANA LIV.C	LAYER LEV. C	Level C FCZ
304	0548401H00	0C8707	MEMBRANA LIV.TOUCH "K"	LAYER LEV, TOUCH "K"	Level touch K AOS
305	0875401B01	0C7031	CRUSCOTTO+MEMBRANA TOUCH	CONTROL PANEL + LAYER TOUCH	Touch AOS
305	0870400902	0C6586	CRUSC. LIV.TOUCH (NO MEMBR.)	CONT.PANEL TOUCH (NO LAYER)	AOS
305	0870400N00	0C6596	CRUSC. LIV.TOUCH (NO MEMBR.)	CONT.PANEL TOUCH (NO LAYER)	FCZ
305	0870400A00	0C6587	CRUSCOTTO LIV. B (NO MEMBR.)	CONT.PANEL LEV. B (NO LAYER)	Level B AOS
305	0873896602	0C4908	CRUSCOTTO LIV. B (NO MEMBR.)	CONT.PANEL LEV. B (NO LAYER)	Level B FCZ
305	0870400P00	0C6597	CRUSCOTTO LIV. C (NO MEMBR.)	CONT.PANEL LEV. C (NO LAYER)	Level C AOS
305	0873896702	0C4909	CRUSCOTTO LIV. C (NO MEMBR.)	CONT.PANEL LEV. C (NO LAYER)	Level C FCZ
305	0548401H00	0C8709	CRUSCOTTO LIV.TOUCH K CON MEMBRANA	CON.PANEL TOUCH "K" WITH LAYER	Level Touch K AOS
307	675400A00	0C6571	SCHEDA USER INTERFACE LIV. TOUCH	USER INTERF. BOARD, LEV. TOUCH	Level TOUCH, K up to 2441
307	675400P01	0C8805	SCHEDA USER INTERFACE LIV. TOUCH	USER INTERF. BOARD, LEV. TOUCH	Level TOUCH, K from 2451 up to 4481
307	0675403100	0CB664	USER INTERFACE TOUCH	USER INTERF. BOARD, TOUCH	Level TOUCH, K from 4491
307	0675838802	0C0041	SCHEDA USER INTERFACE LIV. B	USER INTERF. BOARD, LEV. B	Level B
307	0675854600	0C4891	SCHEDA USER INTERFACE LIV. C	USER INTERF. BOARD, LEV. C	Level C
307	0675854602	0C7350	SCHEDA USER INTERFACE LIV.C(1/2 VEL)	USER INT. BOARD LEV.C. (1/2 SPEED)	Level C from S/N 120
308	673400600	0CB546	SCHEDA POWER	MAIN POWER	Level Touch, K
308	673400500	0CB839	SCHEDA POWER	MAIN POWER	Level B and Lev. C 230-400V
-	0546814001	0C3750	DISTANZIALE ARCHETTO NYLON	SPACER NYLON	Level B, C, K
-	0633847400	0C6564	CABLAGGIO USER - POWER	MAIN TO USER CABLE	Level Touch
-	0638400P00	0C6565	CAVO ALIMENTAZIONE USER	POWER SUPPLY CABLE USER	Level Touch
311	0652800901	058871	FUSIBILE RAPIDO 6.30 A	FUSE FAST 6.3 A	
311	0652805100	0C2230	FUSIBILE RAPIDO 6.30 x3.2A	FUSE FAST 6.3 x 3.2A	Marine
311	0652400700	0CA598	FUSIBILE 6.3x32 A	FUSE 6.3 x 3.2A	Marine
311	0652803900	0C2301	FUSIBILE 800 mA	FUSE T 800 mA	
311	0652804900	0C3650	FUSIBILE 3,15A	FUSE 3,15A	Marine
311	0652803300	0C1480	FUSIBILE OMEGA 5X20 6,3A T	FUSE OMEGA 5X20 6,3A T	208V-240V
311	0652803100	0C6034	FUSIBILE RAPIDO 1.6 A	FUSE FAST 1,6 A	200V
311	0652805200	0C2236	FUSIBILE RAPIDO 1.6 A	FUSE FAST 1,6 A	200V
312	0805408Q00	0CB128	PORTAFUSIBILE	FUSE HOLDER	

20 GN 1/1 ELECTRIC CONVECTION / STEAMER OVEN
FORNO CONVEZIONE / VAPORE ELETTRICO 20 GN 1/1

Pos	Factory Code	Spare part code	Descrizione	Description	Ref./Notes
312	0805408R00	0CB130	PORTAFUSIBILE	FUSE HOLDER	Marine
313	0646812200	007042	LIMITATORE, CELLA	LIMITER, CAVITY	
313	0646810802	006314	LIMITATORE, CELLA	LIMITER, CAVITY	208V
314	0508840801	002628	FLANGIA	FLANGE	
315	0574804900	002627	VETRO	GLASS	
316	0543817202	002626	GUARNIZIONE	GASKET	
317	0660400200	0CB661	LAMPADA ALOGENA	HALOGEN LAMP	
318	0660806800	007105	PORTALAMPADA	LAMP HOLDER	
319	0538804000	0C1169	FARFALLA CAMINO CELLA LW	CLOSER	
320	0680802300	0C5501	MOTORIDUTTORE FIBER	MOTOREDCER	
320	0680802400	0C5502	MOTORIDUTTORE FIBER	MOTOREDCER	60Hz
321	0646814900	0C2983	LIMITATORE, BOILER	LIMITER, BOILER	
322	0543832200	0C1168	GUARNIZIONE	GASKET	
323	0831806402	0C1219	CONDOTTO ARIA	DUCT, AIR	
324	0682400700	0CB143	VENTILATORE	FAN	
325	0694605400	049303	FILTRO	FILTER	Not for Marine models
326	0639808600	0F0112	MORSETTIERA	TERMINAL BOARD	For 400-440V
326	0639806801	006238	MORSETTIERA	TERMINAL BOARD	
326	0639812400	0C4820	MORSETTIERA	TERMINAL BOARD	230V, 208V,240V
326	0639813200	0C6029	MORSETTIERA	TERMINAL BOARD	200V
327	0694604400	047541	CONDENSATORE 12.5 Mf	CAPACITOR	Level A, B not for Marine models
327	0694806000	0C5526	CONDENSATORE 8 Mf	CAPACITOR	Level C, K not for Marine models
328	0624400100	0C6895	TRASFORMATORE 230V-12/24V	TRANSFORMER 230V-12/24V	230V-400V up to 3281
328	0624400900	0C9557	TRASFORMATORE	TRANSFORMER	230V-400V from 3291
328	0624807101	007046	TRASFORMATORE	TRANSFORMER	200V
328	0624807901	0C6945	TRASFORMATORE	TRANSFORMER	208V
328	0624807700	0C0949	TRASFORMATORE	TRANSFORMER	Marine
329	0648803001	058557	RELE'	RELAY	208V-240V not for Marine models
329	0648722900	088267	RELE'	RELAY	208V-240V not for Marine models
330	0624807002	007047	ALIMENTATORE SWITCHING	LAMBDA SWITCHING FEEDER	Level Touch
331	0648807300	088477	CONTATTORE K3-10A	CONTACTOR K3-10A	Level A, B
331	0648807800	007104	CONTATTORE K3-40A	CONTACTOR K3-40A	Level A, B
331	0648807700	007080	CONTATTORE K3-32A	CONTACTOR K3-32A	Level C, 230V, 208V, 240V, K
331	0648807400	006879	CONTATTORE K3-18A	CONTACTOR K3-18A	Level C, 230V, 208V, 240V, 200V, K
331	0648613200	0L0355	CONTATTORE K3-24A	CONTACTOR K3-24A	Japan 200V
331	0648400000	088557	CONTATTORE K1-09D10 230	CONTACTOR K1-09D10 230	Marine 440V
332	0509803900	0C4459	RIFLETTORE	REFLECTOR	
333	0648808200	0C6061	INTERR. MAGNETICO	THERMIC	Marine
335	0624400000	0C6945	TRASFORMATORE	TRANSFORMER	208V, 240V
336	0652803400	0C1487	PORTAFUSIBILE	FUSE HOLDER	208V, 240V
337	0652803500	0C1488	FUSIB.OMEGA 22X58 80A	FUSEOMEGA 22X58 80A	208V, 240V
338	0546400200	0C6547	VASCHETTA USB	USB PLUG	Level Touch

20 GN 1/1 ELECTRIC CONVECTION / STEAMER OVEN
FORNO CONVEZIONE / VAPORE ELETTRICO 20 GN 1/1

Pos	Factory Code	Spare part code	Descrizione	Description	Ref./Notes
339	0541400A00	0C6546	COPERTURA USB	USB COVER	Level Touch
340	0543843500	0C5451	GUARNIZIONE	GASKET	
341	0675858601	0C8033	TASTO ON-OFF(INTER.PRINCIPALE)	ON-OFF (MAIN SWITCH)	Level Touch
342	0648722900	088267	RELE' SICUREZZA	SECURITY RELE	208V-240V
343	0638400Y00	0C6566	CAVO PROLUNGA USB	USB CABLE	Level Touch
344	0831851101	0C4935	ASSIEME FILTRO CRUSCOTTO	ASS. FILTER CONTROL PANEL	
345	0549400F00	0C9991	FILTRO CRUSCOTTO	FILTER CONTROL PANEL	
			Pagina 7	Page 7	
400	0853854207	007106	CARRELLO PORTA TEGLIE (P63)	TROLLEY (P63)	P 60
400	0853858706	0C4127	CARRELLO PORTA TEGLIE (P80)	TROLLEY (P80)	P 80
401	0835865000	0C1631	RUOTA CON FRENO	WHEEL WITH BRAKE	
402	0835865100	0C1632	RUOTA	WHEEL	
403	0517868200	007108	MANIGLIA	HANDLE	
404	0H21503300	006309	PILETTA DI SCARICO	DRAIN	
405	0509804001	0CA768	BACINELLA CARRELLO	DRIP TRAY	
*	*	0C9499	KIT SCARICO	DRAIN KIT PIPE	
			SONDE DI TEMPERATURA	TEMPERATURE PROBES	
	0830400N00	0C7028	SONDA CELLA 500mm ROSSA	CAVITY PROBE 500mm RED	
	0830899001	0C0325	SONDA BOILER 800mm AZZURRA	BOILER PROBE 800mm BLUE	Level Touch and B
	0830899101	0C6539	SONDA BYPASS 1100 mm BIANCO	BYPASS PROBE 1100mm WHITE	Level Touch and B
	0831829400	0C3457	SONDA BYPASS 2000 mm	BYPASS PROBE 2000mm	Level K
*	*	0CB537	KIT MANUTENZIONE ANNUALE FORNI ELETTRICI 20 1/1	YEARLY MAINTENANCE KIT OVEN - ELECTRIC 20 1/1	22+23+42+48+49+ +52+207a+215+316+ +317+340+345+ +0CA120+0Q0006
*	*	0CB541	KIT MANUTENZIONE SEMSTRALE FORNI ELETTRICI 20 1/1	BIANNUAL MAINTENANCE KIT OVEN - ELECTRIC 20 1/1	22+23+42+52+ +316+317+340+ +0Q0006

20 GN 1/1 ELECTRIC CONVECTION / STEAMER OVEN
FORNO CONVEZIONE / VAPORE ELETTRICO 20 GN 1/1

Pos	Factory Code	Spare part code	Descrizione	Description	Ref./Notes
-----	--------------	-----------------	-------------	-------------	------------