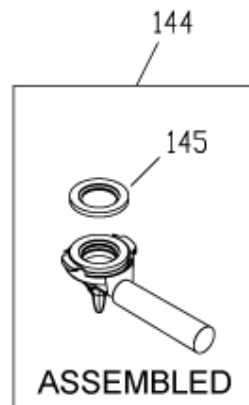
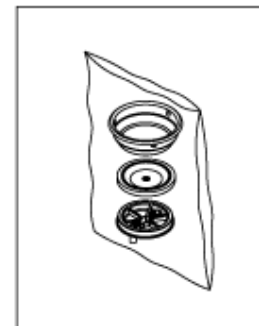
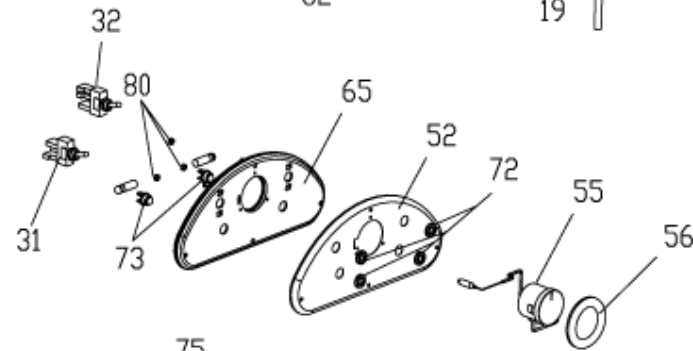
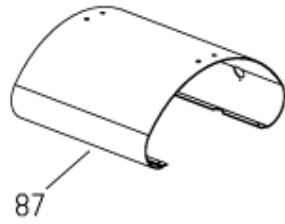
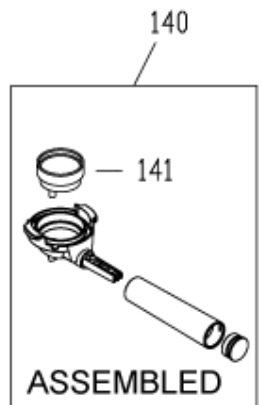


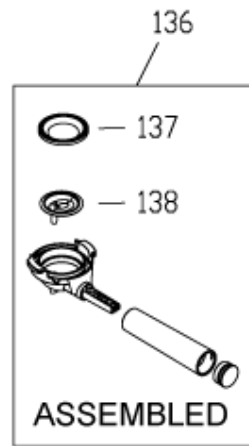
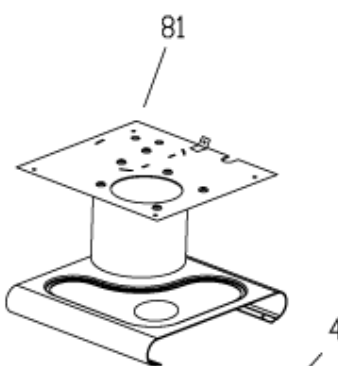
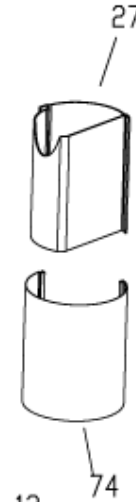
300



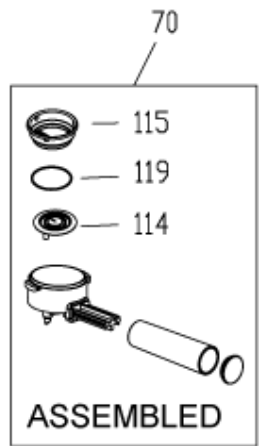
ASSEMBLED



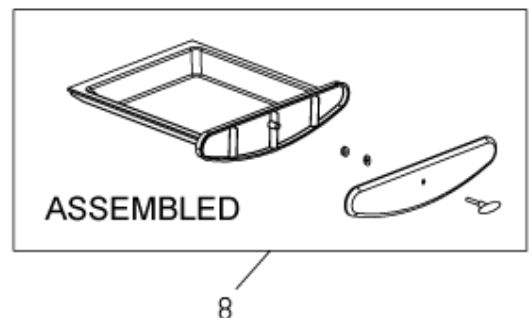
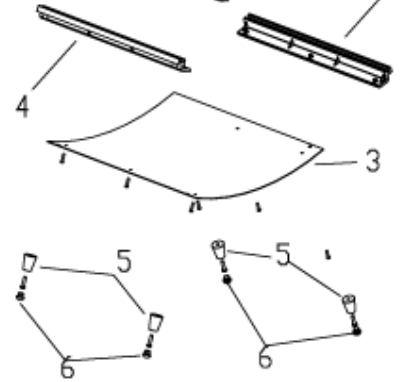
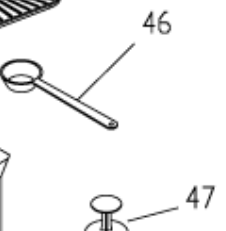
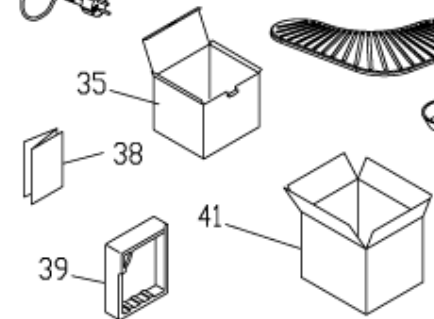
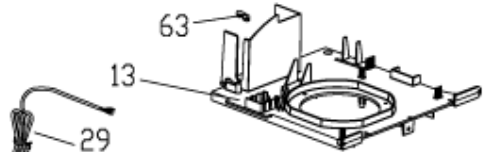
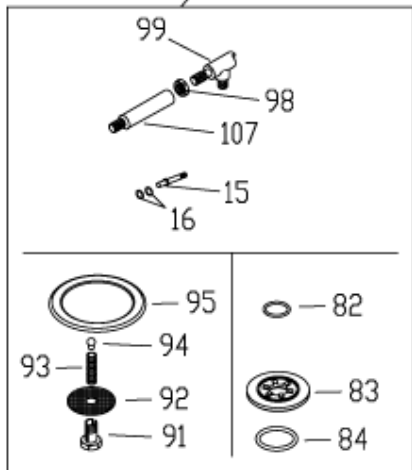
ASSEMBLED



ASSEMBLED



ASSEMBLED



ASSEMBLED

| Position | Code | description |
|----------|---------------|----------------------------------|
| | ATA4030006000 | CHIAVE SPECIALE TAPPO CIALDA |
| 3 | AT4055550340 | ORANGE LOWER COVER |
| 6 | AT4055501600 | RUBBER FOOT BLACK |
| 12 | AT4055311500 | GRID FOR CUPS |
| 15 | AT4055320500 | STEM VALVE STEAM |
| 16 | AT504520600 | GASKET OR106 |
| 17 | AT502529100 | PUMP 230V 50HZ MC |
| 18 | AT4026001000 | UNIVERSAL VALVE BY-PASS ASSY |
| 19 | AT524240300 | PUMP SUPPORT MC5/G/5 |
| 20 | AT4055341500 | TEFLON TUBE D.6X1 L100MM |
| 22 | AT4055320300 | STUD |
| 23 | AT4055320400 | STEAM CONTROL LEVER |
| 24 | AT4055502400 | CONTROL LEVER KNOB |
| 27 | AT4056001300 | WATER TANK ASSY |
| 31 | AT4051220020 | SINGLE-POLE SWITCH |
| 32 | AT4051220030 | SINGLE-POLE SELECTOR |
| 41 | AT8999000200 | ITEM NOT AVAIL.X THIS VERSION |
| 46 | AT5225806D7 | MEASURING SPOON |
| 47 | AT5225118E0 | PRESSER |
| 52 | AT4055570240 | ORANGE FRONT LID HEAD ARIETE |
| 55 | AT4071430010 | THERMOMETER 200 |
| 57 | AT1770109501 | THERMOSTAT 95 |
| 58 | AT1770113001 | THERMOSTAT 130 |
| 59 | AT1770900300 | THERMOSTAT DOUBLE CLAMP D.3,2 |
| 61 | AT500522800 | NUT FOR CONNECTION |
| 62 | AT520523020 | LOCKING PIPE NUT FOR VALVES |
| 63 | AT8999000300 | ITEM NOT AVAILABLE |
| 64 | AT520185800 | THERMOFUSE CLAMP |
| 66 | AT104325200 | SILICON TUBE SR60 4X8 TRANSP.CSM |
| 67 | AT4055502100 | HOLDER STUD |
| 70 | AT4056002800 | BLACK DUST FILTER HOLDER ASSY |
| 87 | AT4056002040 | ORANGE HEAD ASSY |
| 91 | AT4025320100 | LOWERED CAP 1335 |
| 92 | AT4055313300 | PODS HOLED DISK (SHOWER) |
| 93 | AT534604900 | BOILER HEAD SPRING 1335 |
| 94 | AT504520300 | MUSHROOM SHAPED VALVE GASKET |
| 95 | AT4055590100 | PODS FILTER HOLDER GASKET |

| | | |
|-----|--------------|-----------------------------|
| 98 | AT520522920 | NUT FOR VALVE |
| 99 | AT520240900 | STEAM VALVE BODY MC5/M/10 |
| 100 | AT4056001600 | PODS BOILER ASSY 240V 1000W |
| 107 | AT4055320600 | STEAM EXTENSION |
| 108 | AT4055312700 | STEAM TUBE W/NUT |
| 109 | AT504520700 | OR 2018 GASKET |
| 116 | AT4055502800 | STEAM TUBE BLACK |
| 125 | AT4055301600 | BLOCK NUT |
| 136 | AT4056007700 | FILTER HOLDER ASSY 1325 TK |
| 137 | AT4055313400 | PODS FILTER |
| 138 | AT4055502900 | THERMOCREAM PLATE |
| 300 | AT4056007500 | KIT THERMOCREAM SYSTEM |