

retigo®  
*Vision*

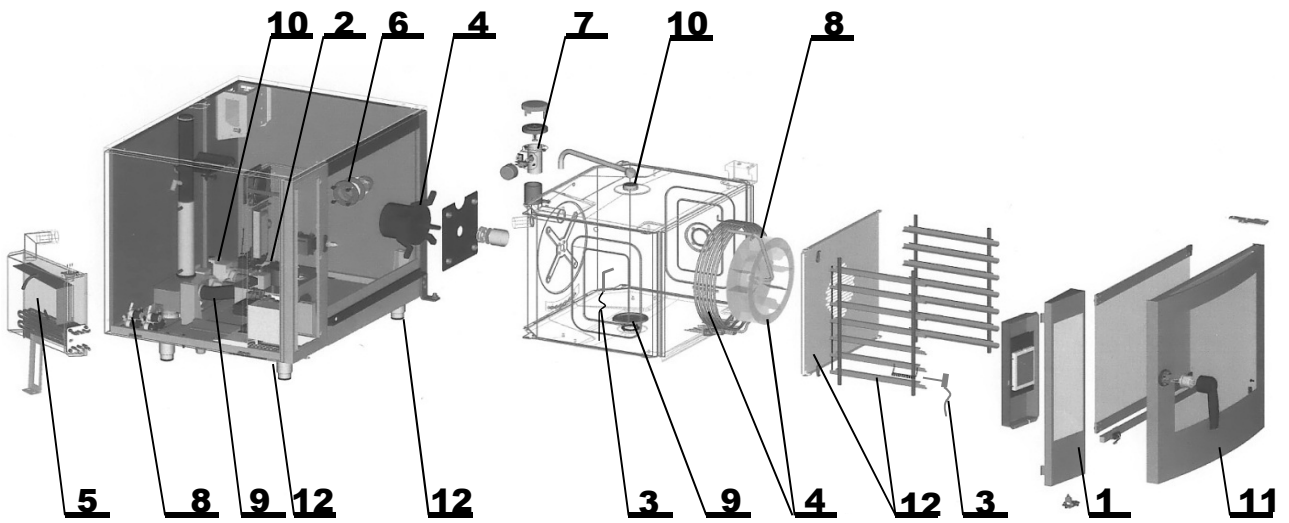


# Spare parts catalogue

RETIGO Vision  
Combi steamer 611  
*electric*



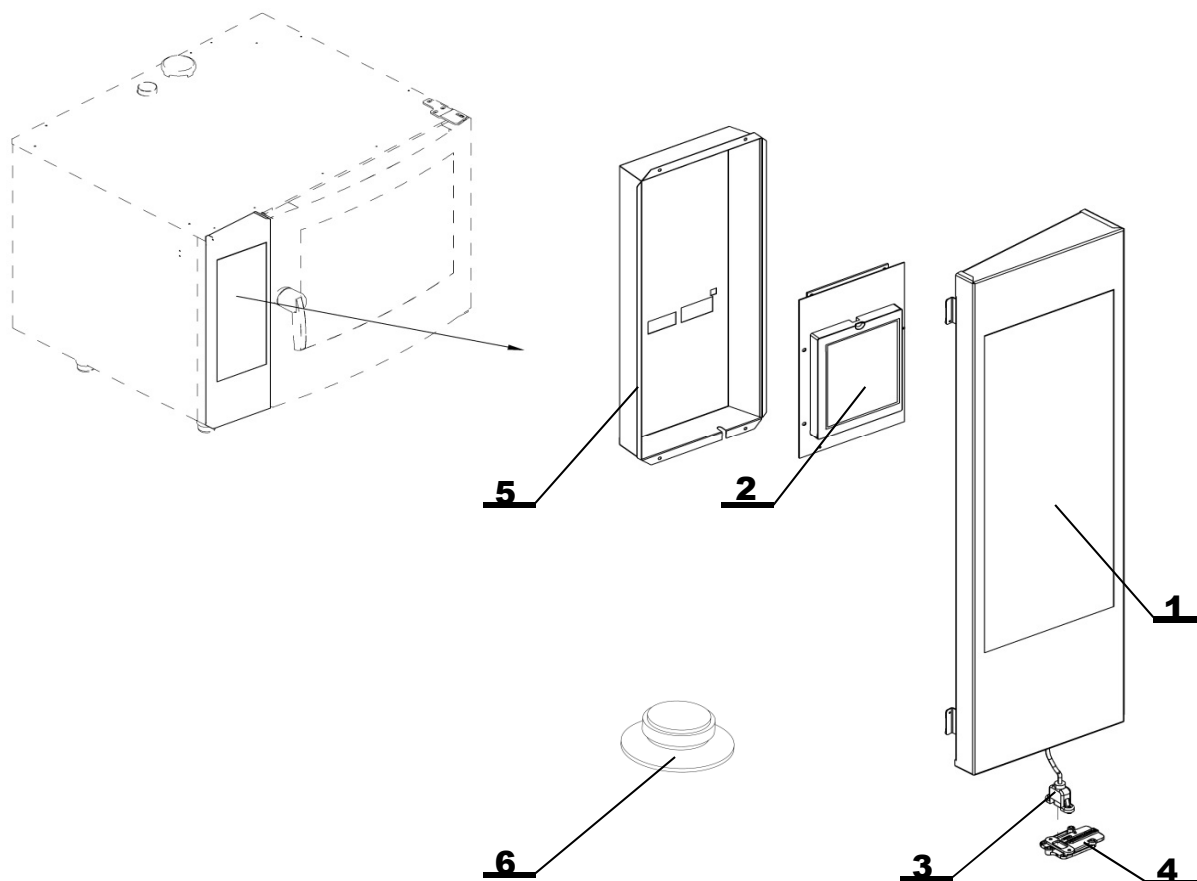
## VISION 611 BLUE/ORANGE



## CONTENT

		Page
1	Control panel	4
2	Power panel	5 - 6
3	Temperature sensors	7
4	Motor, ventilator, heating	8
5	Boiler	9
6	Light	10
7	Flap valve	11
8	Water distribution system	12 - 13
9	Drainage system	14 - 15
10	Automatic cleaning system	16
11	Door	17
12	Accessories	18

## CONTROL PANEL

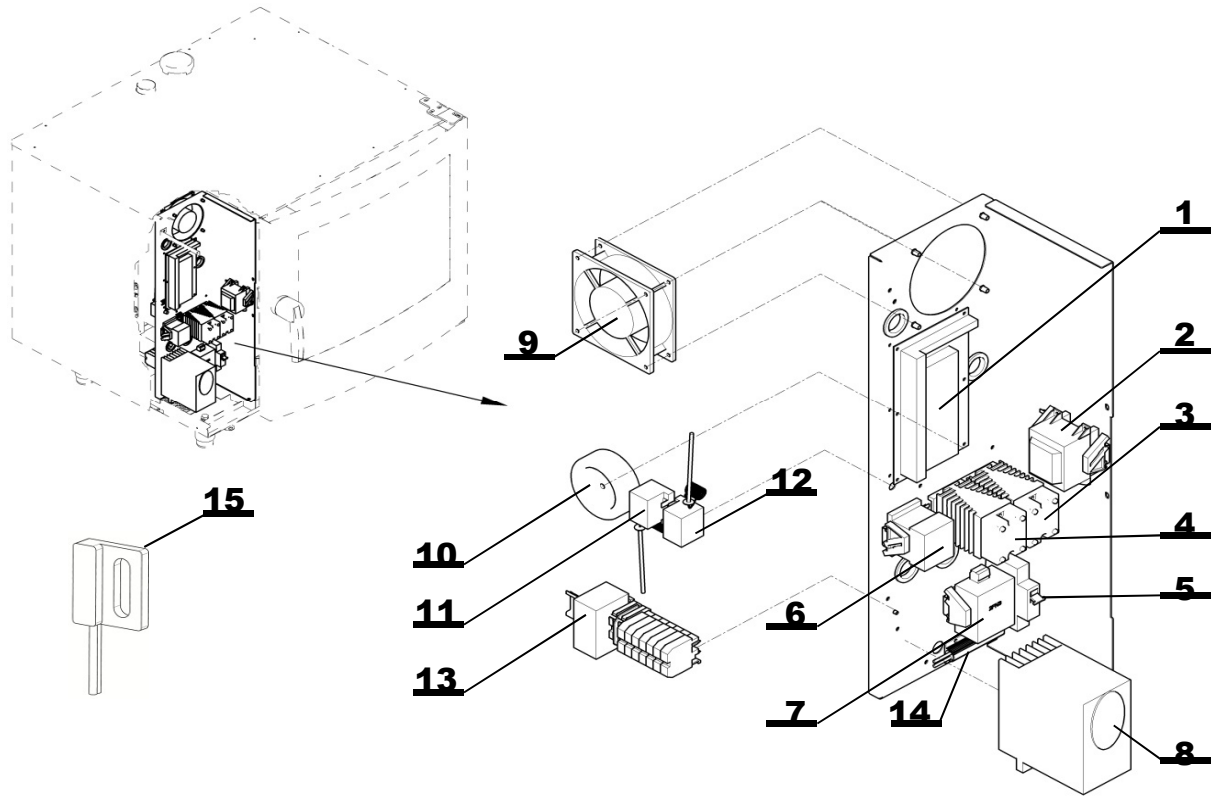


Position	Code	Name	For type of combi steamer			
			B611i	B611b	O611i	O611b
1	AC21-1205/CH1	WHOLE LEFT CORNER WITH ELECTRONIC 611-BLUE	•	•		
1	AC21-1206/CH1	WHOLE LEFT CORNER WITH ELECTRONIC 611-ORANGE			•	•
2	XC10-2000	ELECTRONIC BOARD SET VISION-BLUE Freescale 2011	•	•		
2	XC10-2100	ELECTRONIC BOARD SET VISION-ORANGE Freescale 2011			•	•
3	EA05-0052	USB CABLE	•	•	•	•
4	SP21-0001	USB COVER	•	•	•	•
5	AP10-0021	COVER OF ELECTRONICS	•	•	•	•
6	EA13-0151	AUXILIARY LOUD-SPEAKER	•	•	•	•

Note:

1	AC21-1205/S/CH1	LEFT CORNER PLATE 6 - BLUE WITH USB CONNECTOR	•	•		
1	AC21-1206/S/CH1	LEFT CORNER PLATE 6 - ORANGE WITH USB CONNECTOR			•	•

## POWER PANEL - BLUE

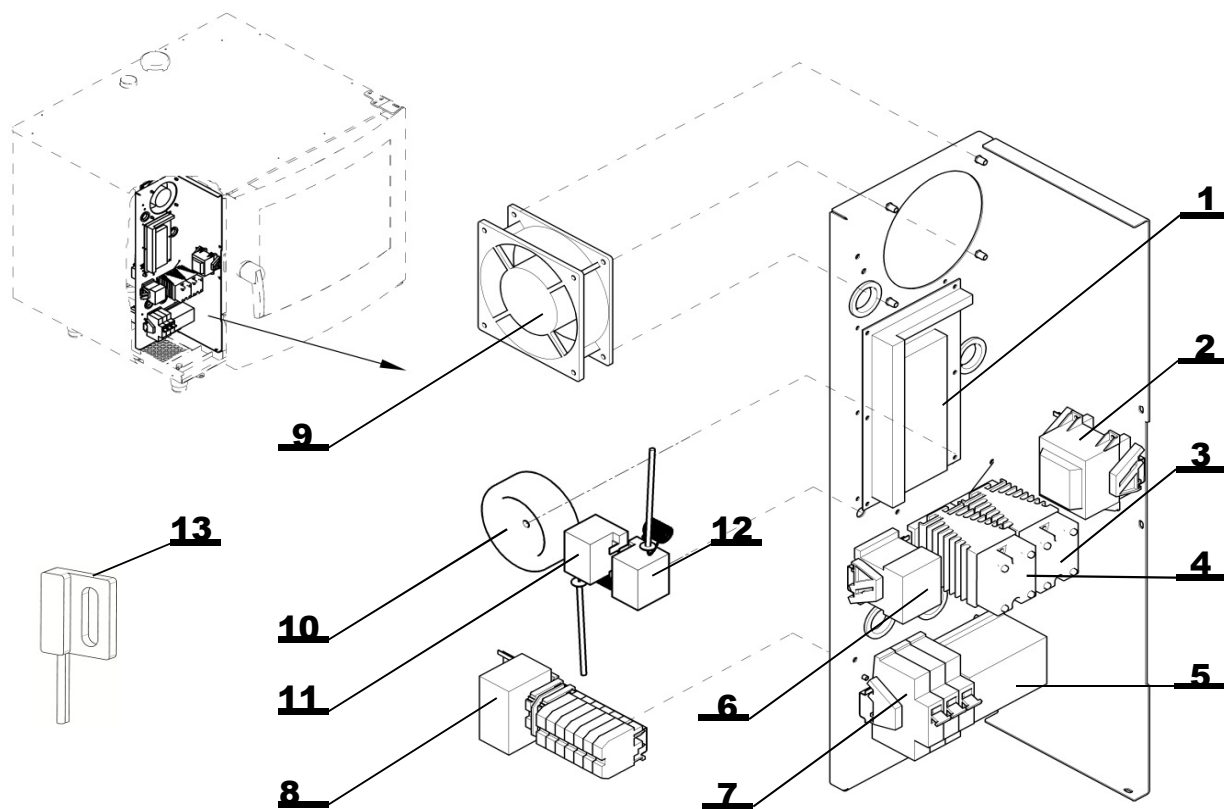


Position	Code	Name	For type of combi steamer			
			B611i	B611b	O611i	O611b
1	EA14-0080	POWER SUPPLY BOARD VISION -R04.1	•	•		
2	EA13-0008	TRANSFORMER TRONIC 17V	•	•		
3	EA02-0203	SOLID STATE RELAY SOB965660		•		
4	EA02-0203	SOLID STATE RELAY SOB965660	•	•		
5	EA03-0016	CIRCUIT BREAKER	•	•		
6	EA02-0004	CONTACTOR (LC1D25P7)	•	•		
7	EA13-0109	SUPPRESSOR	•	•		
8	EA13-0400	FREQUENCY CONVERTER	•	•		
9	ZA21-0007	FAN SUNNON	•	•		
10	EA13-0011	TOROIDAL TRANSFORMER 230V/11,5V	•	•		
11	EA04-0011	THERMAL FUSE BOILER 140 °C		•		
12	EA04-0012	THERM. FUSE FOR SPACE 360°C	•	•		
13	EA13-0057	SUPPRESSION COMPONENT FC611	•	•		
14	EA16-0041	RESISTOR VW3TR342150RJ	•	•		
15	EA01-0015	DOOR SWITCH 623, 611, 1011	•	•		

Note:

7+8+14	EA13-0402	KIT RETIGO VISION	•	•		
--------	-----------	-------------------	---	---	--	--

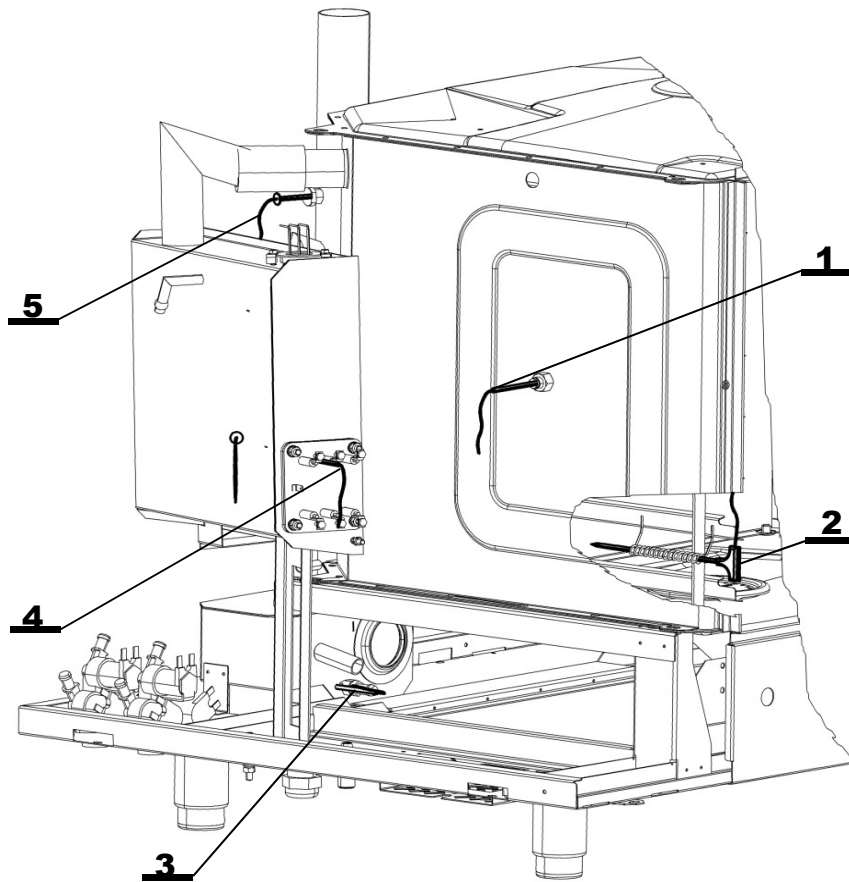
## POWER PANEL ORANGE



Position	Code	Name	For type of combi steamer			
			B611i	B611b	O611i	O611b
1	EA14-0080	POWER SUPPLY BOARD VISION -R04.1			•	•
2	EA13-0008	TRANSFORMER TRONIC 17V			•	•
3	EA02-0203	SOLID STATE RELAY SOB965660			•	•
4	EA02-0203	SOLID STATE RELAY SOB965660			•	•
5	EA02-0002	REVERSIBLE CONTACTOR			•	•
6	EA02-0004	CONTACTOR (LC1D25P7)			•	•
7	EA03-0018	CIRCUIT BREAKER PEP-10J 3P D 6A			•	•
8	EA13-0058	SUPPRESSION COMPONENT FC611 13b			•	•
9	ZA21-0007	FAN SUNNON			•	•
10	EA13-0011	TOROIDAL TRANSFORMER 230V/11,5V			•	•
11	EA04-0011	THERMAL FUSE BOILER 140 °C				•
12	EA04-0012	THERM. FUSE FOR SPACE 360°C			•	•
13	EA01-0015	DOOR SWITCH 623, 611, 1011			•	•

Note:

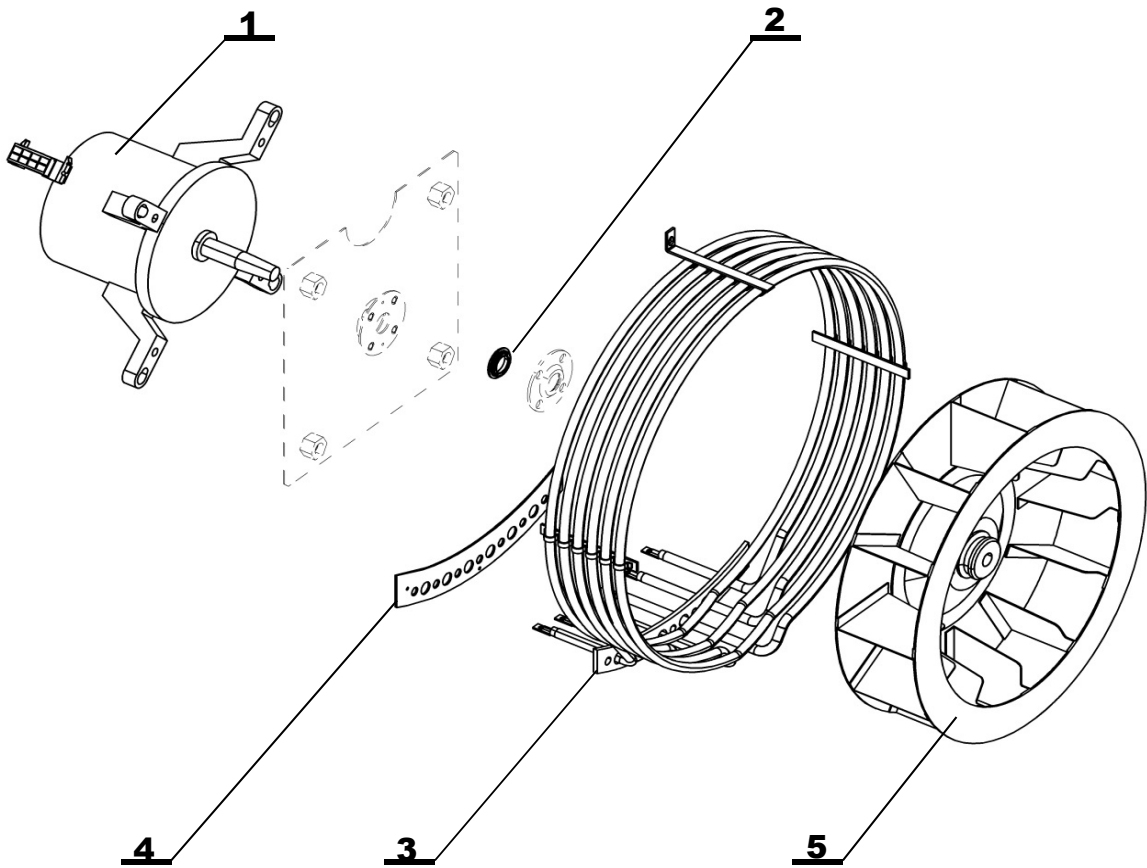
## TEMPERATURE SENSORS



Position	Code	Name	For type of combi steamer			
			B611i	B611b	O611i	O611b
1	EA10-0103	COOKING CHAMBER AND STEAM TEMP. SENSOR	•	•	•	•
2	EA10-0113	CORE PROBE (meat probe) - Blue - 4 point 623, 611, 1011	•	•		
2a	EA10-0111	CORE PROBE (meat probe) - Orange - 1 point 623, 611, 1011			•	•
3	EA10-0104	DRAIN and BOILER TEMP. SENSOR 623, 611, 1011, 1221	•	•	•	•
4	EA10-0104	DRAIN and BOILER TEMP. SENSOR 623, 611, 1011, 1221		•		•
5	EA10-0103	COOKING CHAMBER AND STEAM TEMP. SENSOR		•		•

Note:

## MOTOR - VENTILATOR - HEATING

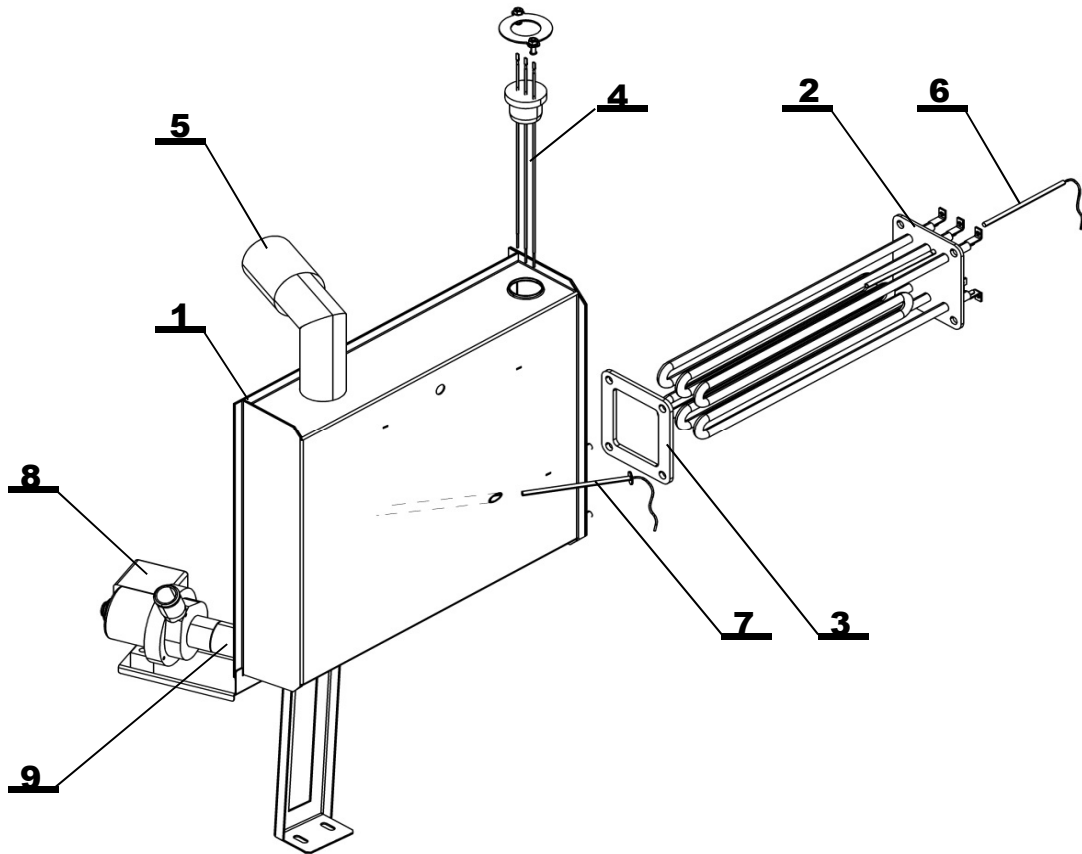


Position	Code	Name	For type of combi steamer			
			B611i	B611b	O611i	O611b
1	EA11-0014	MOTOR HANNING L9 EB30	•	•	•	•
2	AX00-0006	MOTOR SEAL	•	•	•	•
3	AX00-0005	HEATING ELEMENT 611 9kW	•	•	•	•
4	AX00-0008	SEAL	•	•	•	•
5	AX09-0001	VENTILATOR FAN ø 320mm	•	•	•	•

Note:



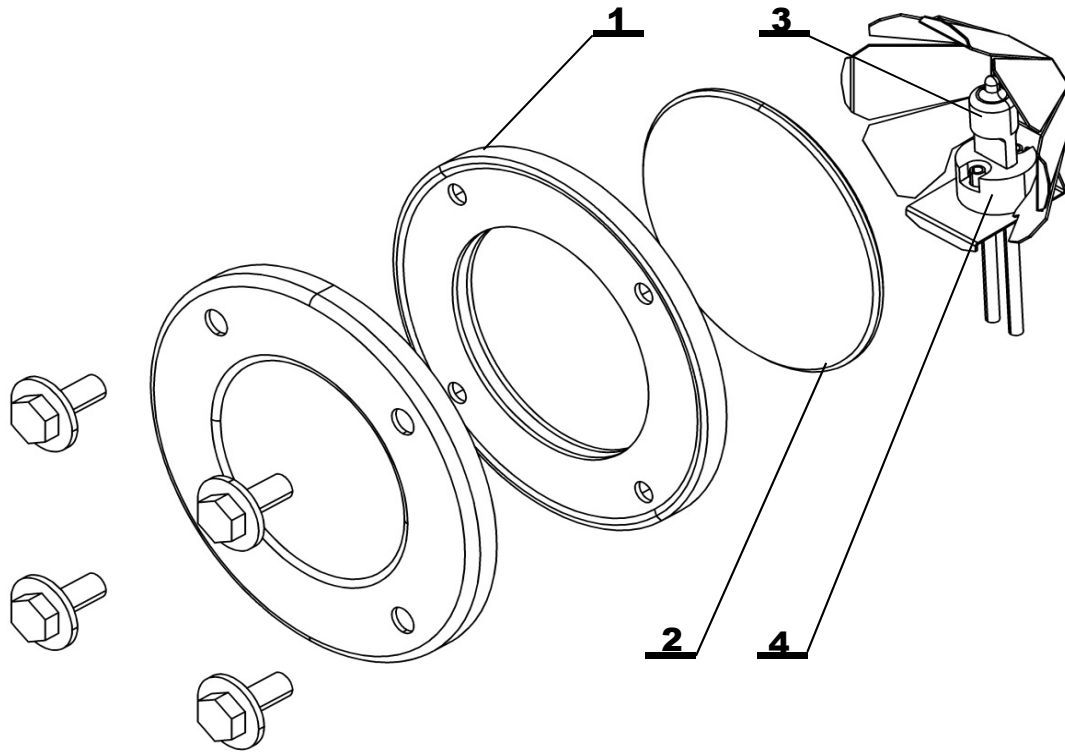
## BOILER 6 VISION



Position	Code	Name	For type of combi steamer			
			B611i	B611b	O611i	O611b
1	AC24-0600	BOILER 6 VISION		•		•
2	AX24-0006	BOILER HEATING ELEMENT 9 kW VISION		•		•
3	AX24-0002	BOILER HEATING ELEMENT SEAL		•		•
4	AC24-0602	WATER LEVEL SENSOR VISION		•		•
5	ZA10-0500	SILICON TUBE CONNECTION		•		•
6	EA10-0104	DRAIN and BOILER TEMP. SENSOR 623, 611, 1011, 1221		•		•
7	EA04-0011	THERMAL FUSE BOILER 140 °C		•		•
8	EA12-0001	PUMP		•		•
9	AA00-0030	HOSE 70 mm BLACK		•		•

Note:

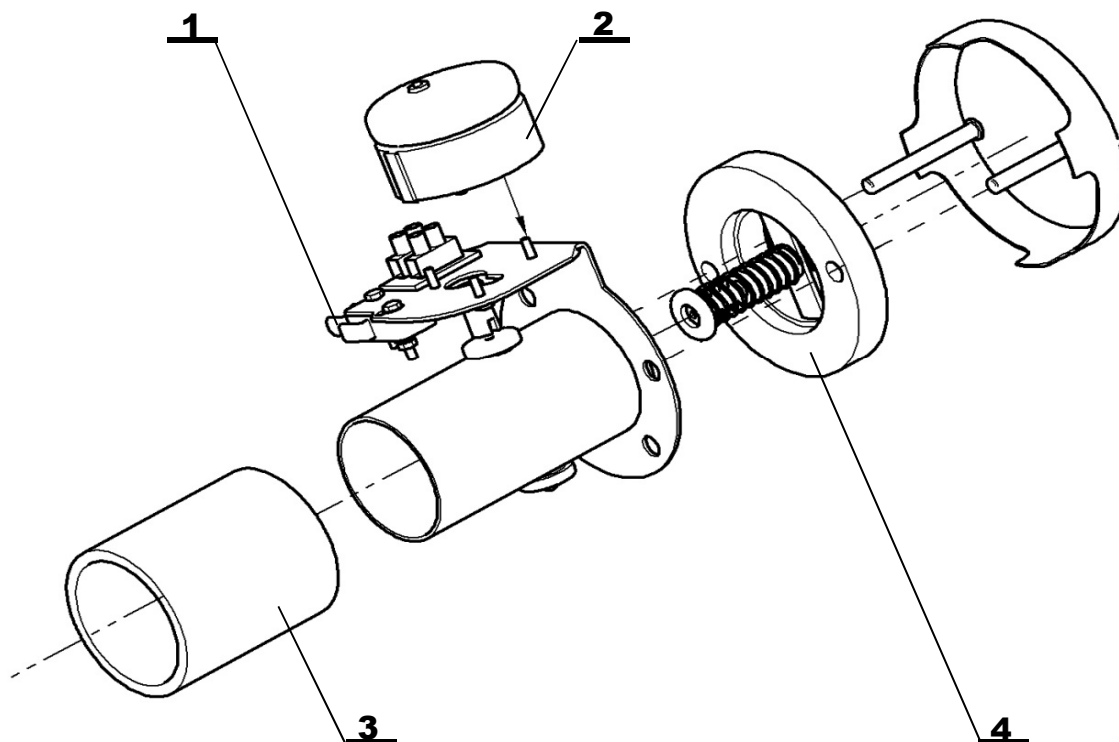
# LIGHT



Position	Code	Name	For type of combi steamer			
			B611i	B611b	O611i	O611b
1	AX07-0005	LIGHT SEAL VISION	•	•	•	•
2	AX07-0004	GLASS PLATE	•	•	•	•
3	EA13-0100	HALOGEN LAMP	•	•	•	•
4	EA13-0101	HALOGEN LAMP BASE	•	•	•	•

Note:

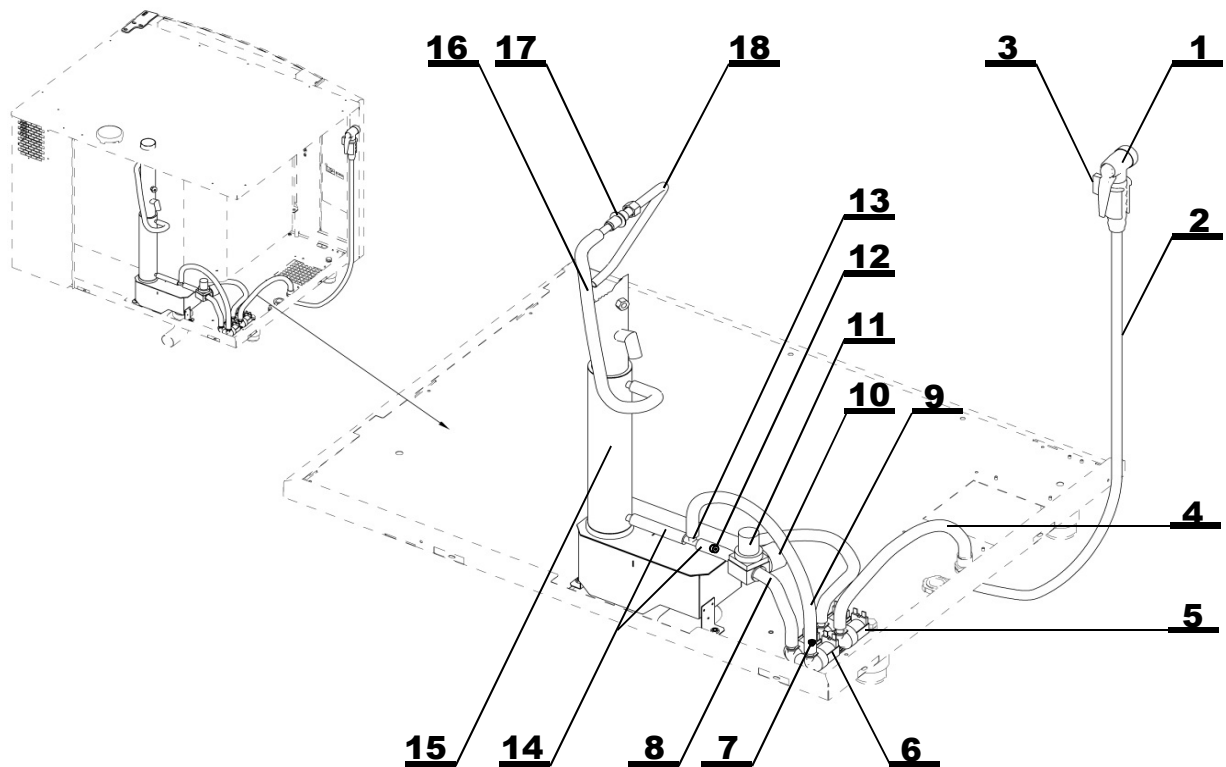
## FLAP VALVE



Position	Code	Name	For type of combi steamer			
			B611i	B611b	O611i	O611b
1	EA01-0052	MIKROSWITCH (until 1.1.2010)	•	•		
2	EA11-0012	MOTOR + SWITCH (since 1. 1. 2010)	•	•		
2	EA11-0005	MOTOR (until 1.1.2010)	•	•		
3	AT00-0006	FLAP VALVE HOSE DA6	•	•	•	•
4	AC25-0105	PLUG	•	•	•	•
1+2+4	AC25-0100	FLAP VALVE COMPLETE	•	•		

Note:

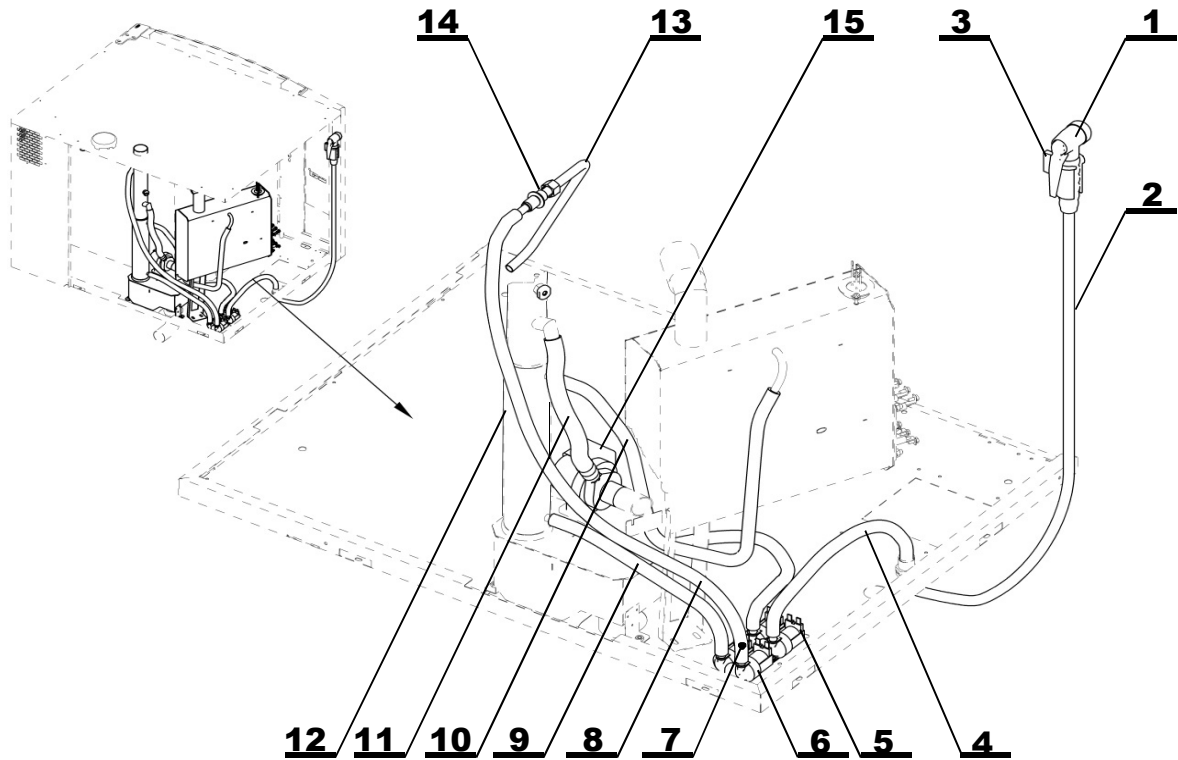
## WATER DISTRIBUTION SYSTEM INJECTION



Position	Code	Name	For type of combi steamer			
			B611i	B611b	O611i	O611b
1	ZA15-0100	SHOWER KLARCO	•		•	
2	ZA11-0902	RUBBER HOSE FOR SHOWER 1,6m	•		•	
3	AT00-0002	SHOWER HOLDER KLARCO	•		•	
4	AA26-0100	HOSE 10x3,6 - 440	•		•	
5	EA12-0050	DOUBLE SOLENOID VALVE	•		•	
6	EA12-0050	DOUBLE SOLENOID VALVE			•	
6	EA12-0056	TRIPLE SOLENOID VALVE	•			
7	EA12-0303	REDUCTION NOZZLE	•		•	
8	AA26-0104	HOSE 10x3,6 - 90	•		•	
9	AA26-0100	HOSE 10x3,6 - 440	•		•	
10	ZA12-0401	MANOMETER 0-1bar, WIKA	•		•	
11	ZA12-0201	WATER REDUCTING VALVE	•		•	
12	AT00-0056	NOZZLE 07	•		•	
13	ZA10-0553	T-FITTING T-TS 10 mm	•		•	
14	AA26-0104	HOSE 10x3,6 - 90	•		•	
15	AC05-2000	CHIMNEY 611 Vision - inject	•		•	
16	AA26-0100	HOSE 10x3,6 - 440	•		•	
17	AC00-2500	BUSHING	•		•	
18	AC12-0700	INJECTION PIPE VISION 611/1011/2011	•		•	

Note:

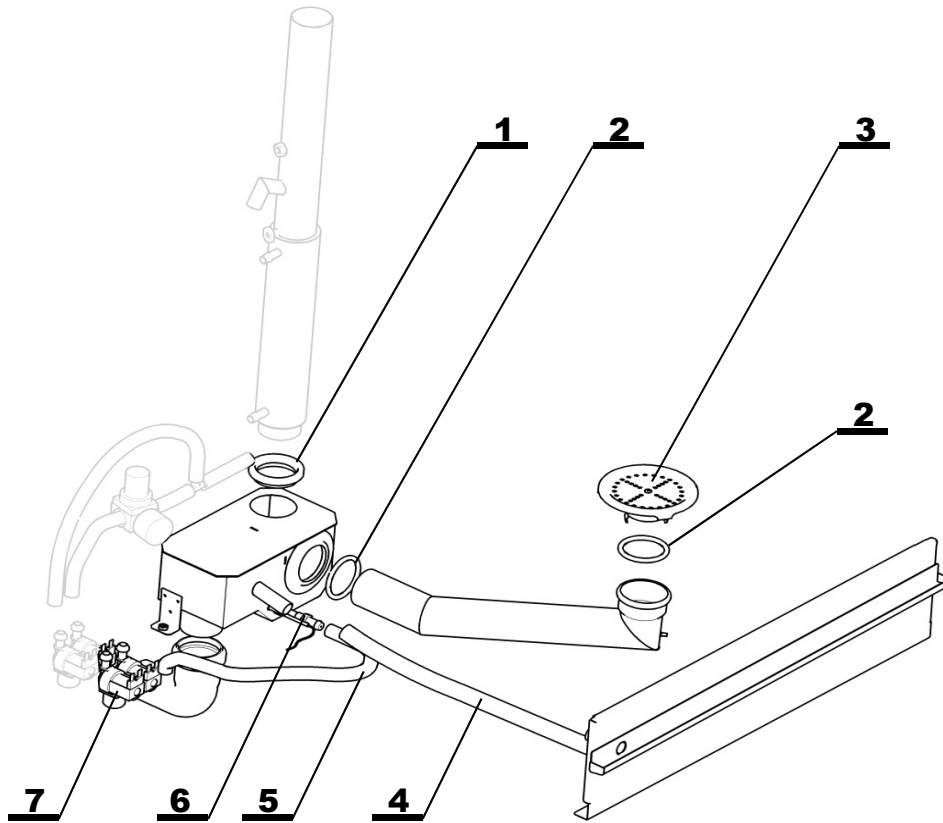
## WATER DISTRIBUTION SYSTEM BOILER



Position	Code	Name	For type of combi steamer			
			B611i	B611b	O611i	O611b
1	ZA15-0100	SHOWER KLARCO		•		•
2	ZA11-0902	RUBBER HOSE FOR SHOWER 1,6m		•		•
3	AT00-0002	SHOWER HOLDER KLARCO		•		•
4	AA26-0100	HOSE 10x3,6 - 440		•		•
5	EA12-0050	DOUBLE SOLENOID VALVE		•		•
6	EA12-0050	DOUBLE SOLENOID VALVE				•
6	EA12-0056	TRIPLE SOLENOID VALVE		•		
7	EA12-0303	REDUCTION NOZZLE		•		•
8	AA26-0101	HOSE 10x3,6 - 350		•		•
9	AT32-0015	HOSE 10x3,6 - 840		•		•
10	AA26-0102	HOSE 10x3,6 - 770		•		•
11	AA26-0150	HOSE 16/22 - 230		•		•
12	AC05-1700	CHIMNEY 611 Vision - boiler		•		•
13	AC12-0700	INJECTION PIPE VISION 611/1011/2011		•		•
14	AC00-2500	BUSHING		•		•
15	EA12-0001	PUMP		•		•

Note:

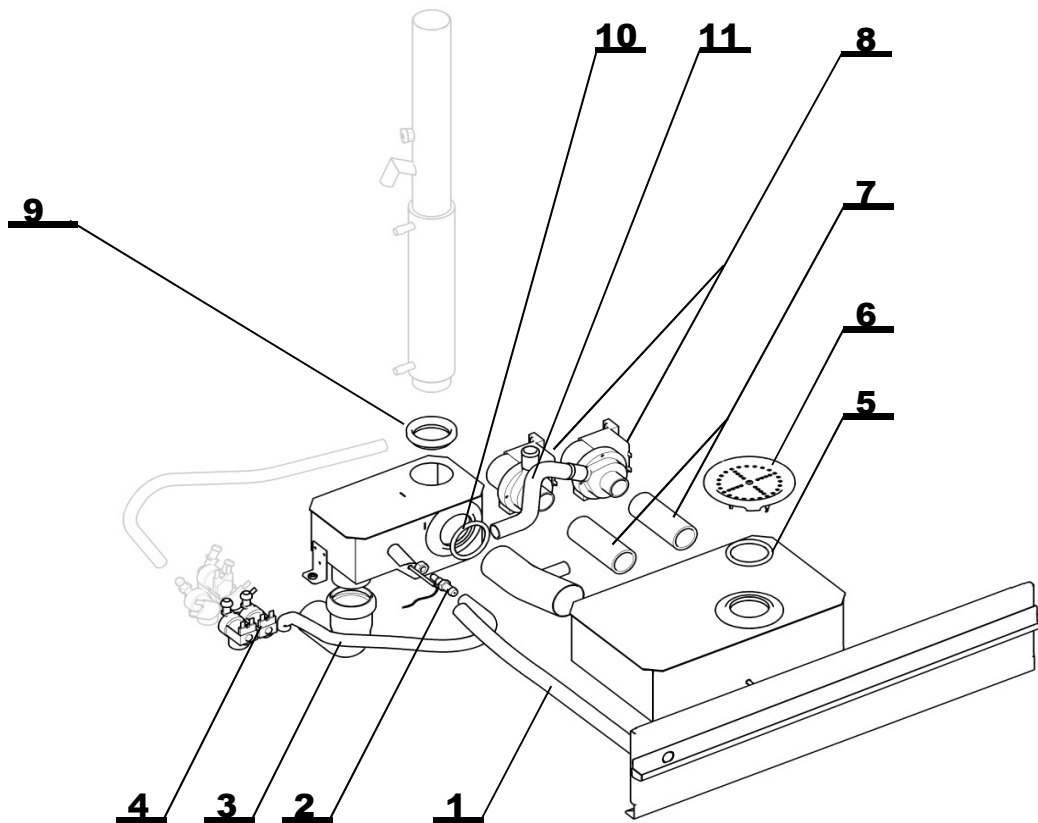
## DRAINAGE SYSTEM ORANGE



Position	Code	Name	For type of combi steamer			
			B611i	B611b	O611i	O611b
1	AX04-0002	SEAL ø 50			•	•
2	ZA13-1549	O-RING			•	•
3	AC02-2202	DRAIN CAP			•	•
4	AA26-0154	HOSE 16/22 - 600			•	•
5	AA26-0100	HOSE 10x3,6 - 440			•	•
6	AT01-0013	NOZZLE			•	•
7	EA12-0050	DOUBLE SOLENOID VALVE			•	•

Note:

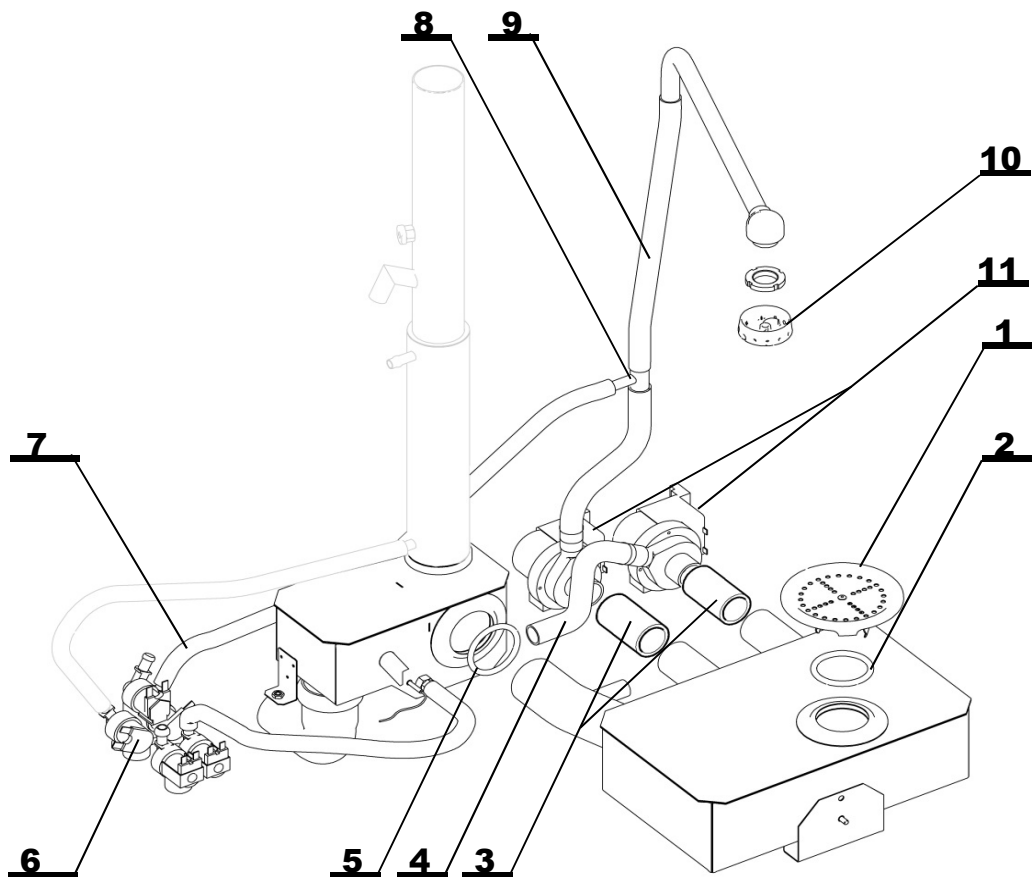
## DRAINAGE SYSTEM BLUE



Position	Code	Name	For type of combi steamer			
			B611i	B611b	O611i	O611b
1	AA26-0154	HOSE 16/22 - 600	•	•		
2	AT01-0013	NOZZLE	•	•		
3	AA26-0100	HOSE 10x3,6 - 440	•	•		
4	EA12-0050	DOUBLE SOLENOID VALVE	•	•		
5	ZA13-1549	O-RING	•	•		
6	AC02-2202	DRAIN CAP	•	•		
7	AA00-0030	HOSE 70 mm BLACK	•	•		
8	EA12-0001	PUMP	•	•		
9	AX04-0002	SEAL ø 50	•	•		
10	ZA13-1549	O-RING	•	•		
11	AA26-0153	HOSE 16/22 - 200	•	•		

Note:

## AUTOMATIC CLEANING SYSTEM

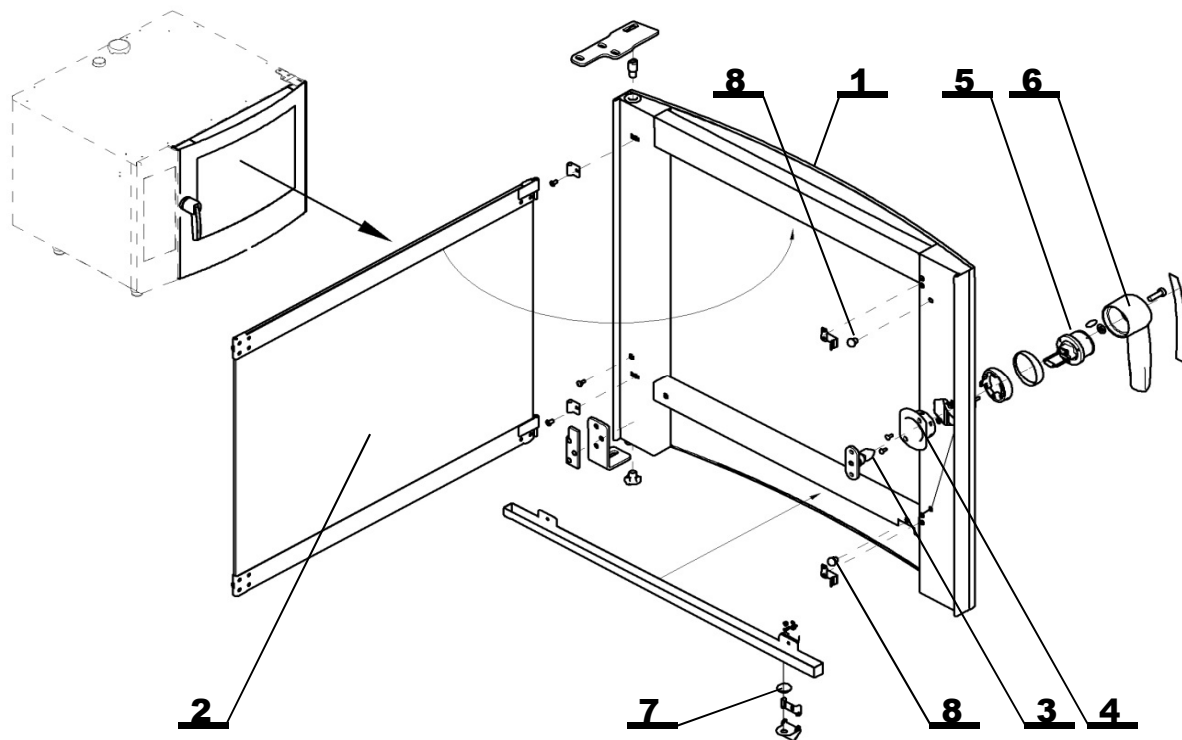


Position	Code	Name	For type of combi steamer			
			B611i	B611b	O611i	O611b
1	AC02-2202	DRAIN CAP	•	•		
2	ZA13-1549	O-RING	•	•		
3	AA00-0030	HOSE 70 mm BLACK	•	•		
4	AA26-0153	HOSE 16/22 - 200	•	•		
5	ZA13-1549	O-RING	•	•		
6	EA12-0056	TRIPLE SOLENOID VALVE	•	•		
7	AA26-0103	HOSE 10x3,6 - 730	•	•		
8	AC32-0400	T-FITTING	•	•		
9	AA26-0152	HOSE 16/22 - 360	•	•		
10	AT32-0052	CLEANING NOZZLE	•	•		
11	EA12-0001	PUMP	•	•		

Note:



## DOOR 611 VISION

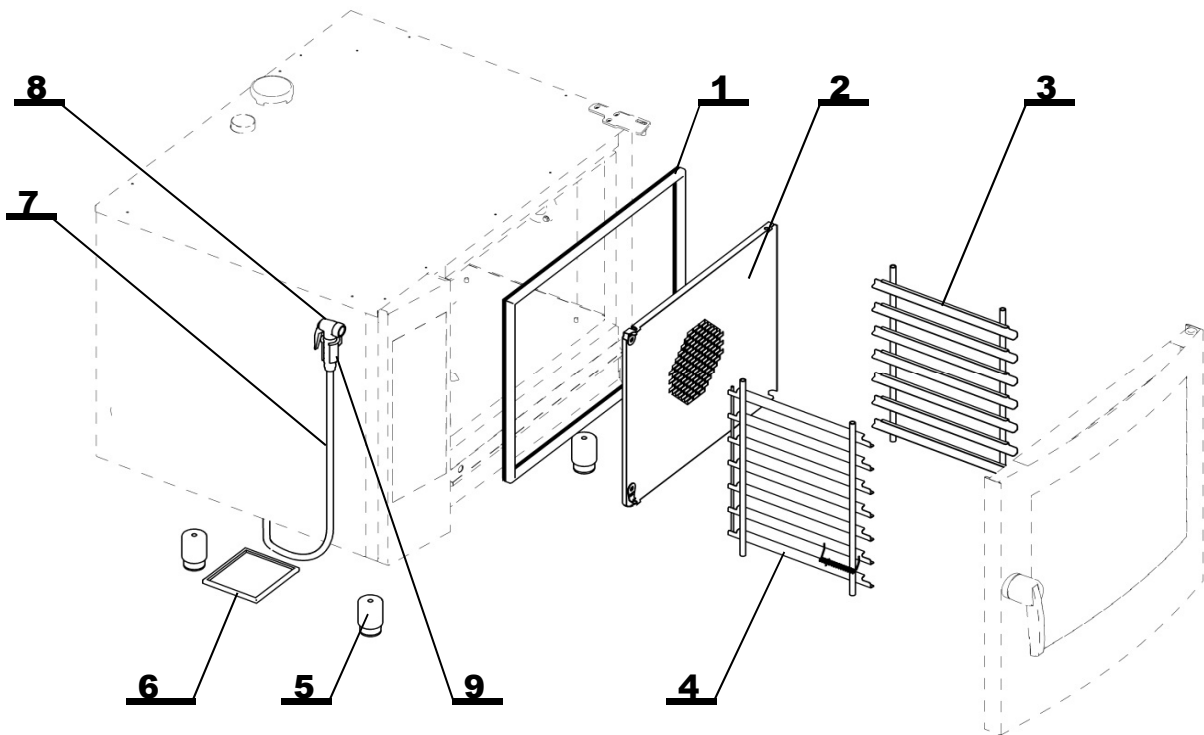


Position	Code	Name	For type of combi steamer			
			B611i	B611b	O611i	O611b
1	AC03-3100	DOOR 6 - 07 VISION COMPLETE	•	•	•	•
2	AC03-3102	INTERIOR GLASS 6 - 07 VISION	•	•	•	•
3	ZA20-0902	LATCH KL-J	•	•	•	•
4	AX08-0020	BOX	•	•	•	•
5	ZA20-0901	DOOR MECHANISM 6303-020501	•	•	•	•
6	AX08-0021	HANDLE VISION	•	•	•	•
7	ZA13-0516	STOPPER 10 GUZU	•	•	•	•
8	AX03-0076	WINDOW STOP	•	•	•	•

Note:

1a	AC03-3300	DOOR 6 - 07 VISION COMPLETE LEFT	•	•	•	•
2a	AC03-3305	INTERIOR GLASS 6 - 07 VISION LEFT	•	•	•	•
3a	ZA20-0903	LATCH KL-D - two steps opening	•	•	•	•
5+6	AC08-0700	HANDLE 623,611,1011 Vision	•	•	•	•

## ACCESSORIES



Position	Code	Name	For type of combi steamer			
			B611i	B611b	O611i	O611b
1	AX00-0035	DOOR SEAL 6 VISION	•	•	•	•
2	AC14-1100	INNER WALL 6 - VISION	•	•	•	•
3	AC19-1500	RACK RIGHT 6 - VISION	•	•	•	•
3a	AC19-1501	RACK RIGHT 6 - VISION 600X400	•	•	•	•
4	AC18-1700	RACK LEFT 6 - VISION	•	•	•	•
4a	AC18-1701	RACK LEFT 6 - VISION 600X400	•	•	•	•
5	AA00-0026	FOOT 6, 10	•	•	•	•
6	ZA17-0010	AIR FILTER VISION	•	•	•	•
7	ZA11-0902	RUBBER HOSE FOR SHOWER 1,6m	•	•	•	•
8	ZA15-0100	SHOWER KLARCO	•	•	•	•
9	AT00-0002	SHOWER HOLDER KLARCO	•	•	•	•

Note:





retigo®  
*Mision*

RETIGO s.r.o.  
Láň 2310, PS43  
756 64 Rožnov pod Radhoštěm  
email: [service@retigo.com](mailto:service@retigo.com)  
tel.: +420 571 665 561

