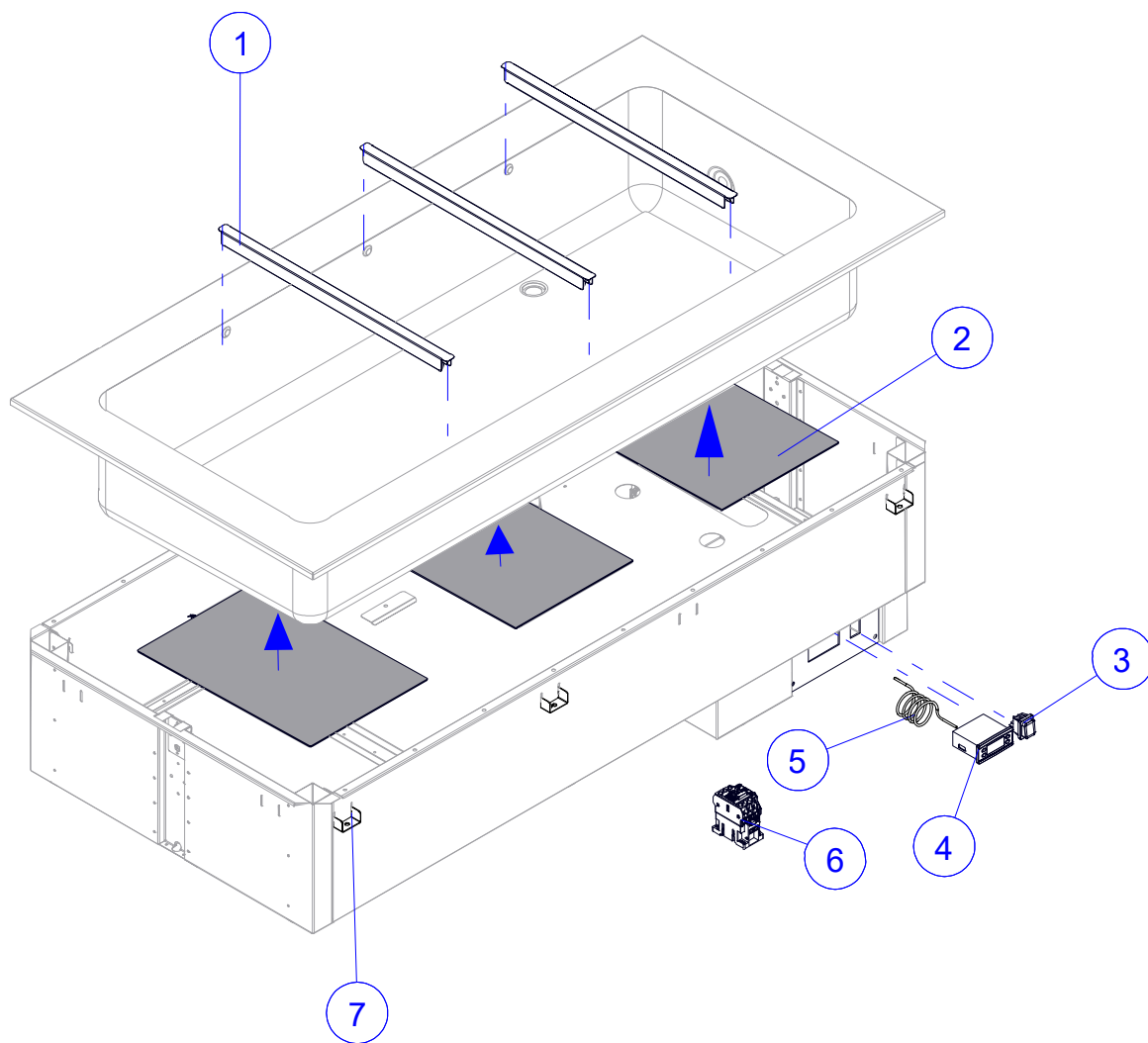
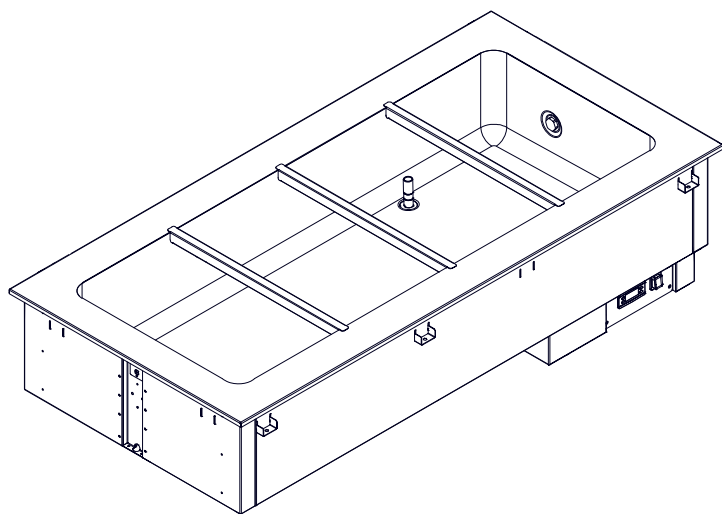


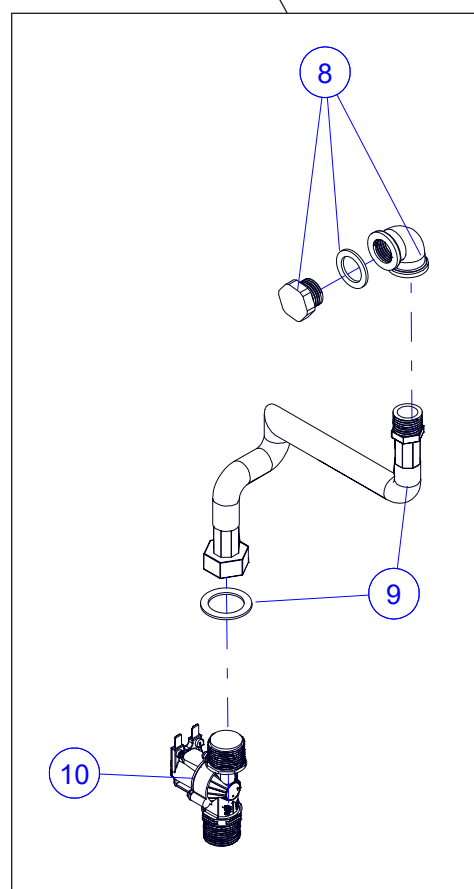
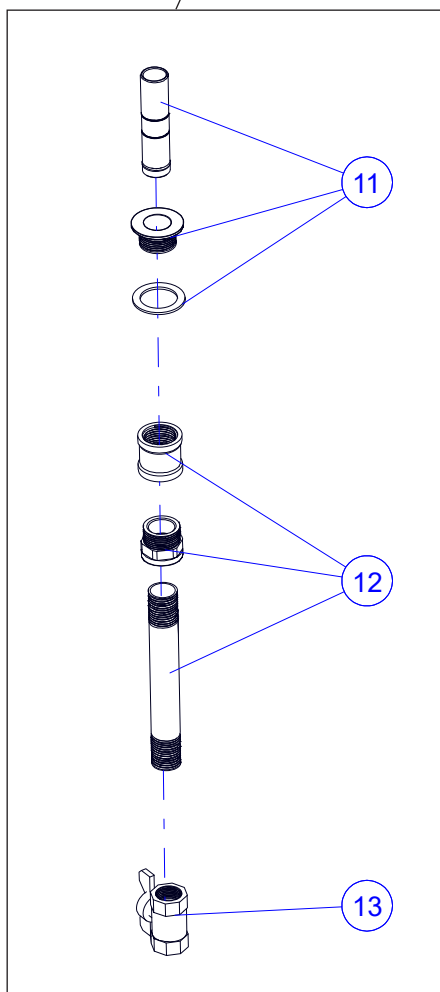
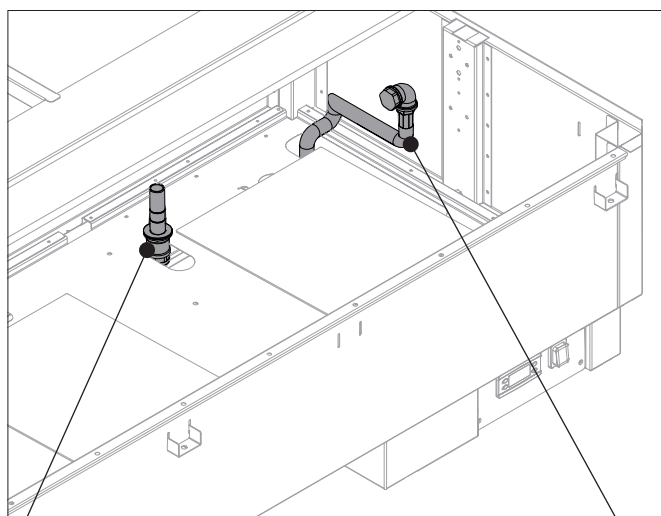
Esploso bagnomaria ad acqua

Exploded view of water bain-marie • Explosionszeichnung der Wasserbainmarie • Vue éclatée bain-marie à eau



Esploso bagnomaria ad acqua

Exploded view of water bain-marie • Explosionszeichnung der Wasserbainmarie • Vue éclatée bain-marie à eau



Esplosivo bagnomaria ad acqua

Exploded view of water bain-marie • Explosionszeichnung der Wasserbainmarie • Vue éclatée bain-marie à eau

| | | 2 GN 1/1 8046420 | 3 GN 1/1 8046421 | 4 GN 1/1 8046422 | 5 GN 1/1 8046423 | 6 GN 1/1 8046435 |
|----|---|---------------------|---------------------|---------------------|---------------------|---------------------|
| 1 | Traversino <i>Crosspiece, Querstrebe, Traverse</i> | R88000001 | R88000001 | R88000001 | R88000001 | R88000001 |
| 2 | Resistenza vasca <i>Tank heating element, Wanne Heizelemente, Résistance cuve</i> | R88000002 | R88000002 | R88000002 | R88000002 | R88000002 |
| 3 | Pulsante carico acqua <i>Water supply pushbutton, Wasser Zulaufsknopf, Bouton charge eau</i> | R88000003 | R88000003 | R88000003 | R88000003 | R88000003 |
| 4 | Termostato digitale <i>Digital thermostat, Digitaler Thermostat, Thermostat digital</i> | R88000004 | R88000004 | R88000004 | R88000004 | R88000004 |
| 5 | Sonda <i>Probe, Fühler, Sonde</i> | R88000005 | R88000005 | R88000005 | R88000005 | R88000005 |
| 6 | Teleruttore <i>Electromagnetic switch, Fernschalter, Têlérupteur</i> | / | R88000013 | R88000013 | R88000013 | R88000013 |
| 7 | Staffa ferma incasso <i>Fixing bracket for drop-in element, Befestigungswinkel für Drop-in element, Console de fixation</i> | R88000006 | R88000006 | R88000006 | R88000006 | R88000006 |
| 8 | Assieme getto di riempimento OR e gomito <i>Kit with valve for water charge, rubber ring and junction, Kit mit Ventil für Wassereinfüllung, Dichtungsring und Anschluss, Ensemble de buse de remplissage / buse de jonction</i> | R88000007 | R88000007 | R88000007 | R88000007 | R88000007 |
| 9 | Assieme guarnizione e tubo flessibile carico acqua <i>Kit with overflow, rubber ring and drain plug, Kit mit Überlauf, Gummiring und Ablassschraube, Ensemble avec trop-plein, bague en caoutchouc et bouchon de vidange</i> | R88000008 | R88000008 | R88000008 | R88000008 | R88000008 |
| 10 | Elettrovalvola acqua <i>Water solenoid valve, E-Ventil Wasser, Electrovalve eau</i> | R88000009 | R88000009 | R88000009 | R88000009 | R88000009 |
| 11 | Assieme troppo pieno, OR e piletta scarico <i>Kit with overflow, rubber ring and drain plug, Kit mit Überlauf, Gummiring und Ablassschraube, Ensemble avec trop-plein, jonction et bonde de vidange</i> | R88000010 | R88000010 | R88000010 | R88000010 | R88000010 |
| 12 | Assieme manicotto, raccordo e tubo scarico acqua <i>Kit for water discharge, Wasserabfluss-Set, Kit d'évacuation d'eau</i> | R88000011 | R88000011 | R88000011 | R88000011 | R88000011 |
| 13 | Valvola di scarico <i>Drain valve, Ablassventil, Soupape de déchargement</i> | R88000012 | R88000012 | R88000012 | R88000012 | R88000012 |