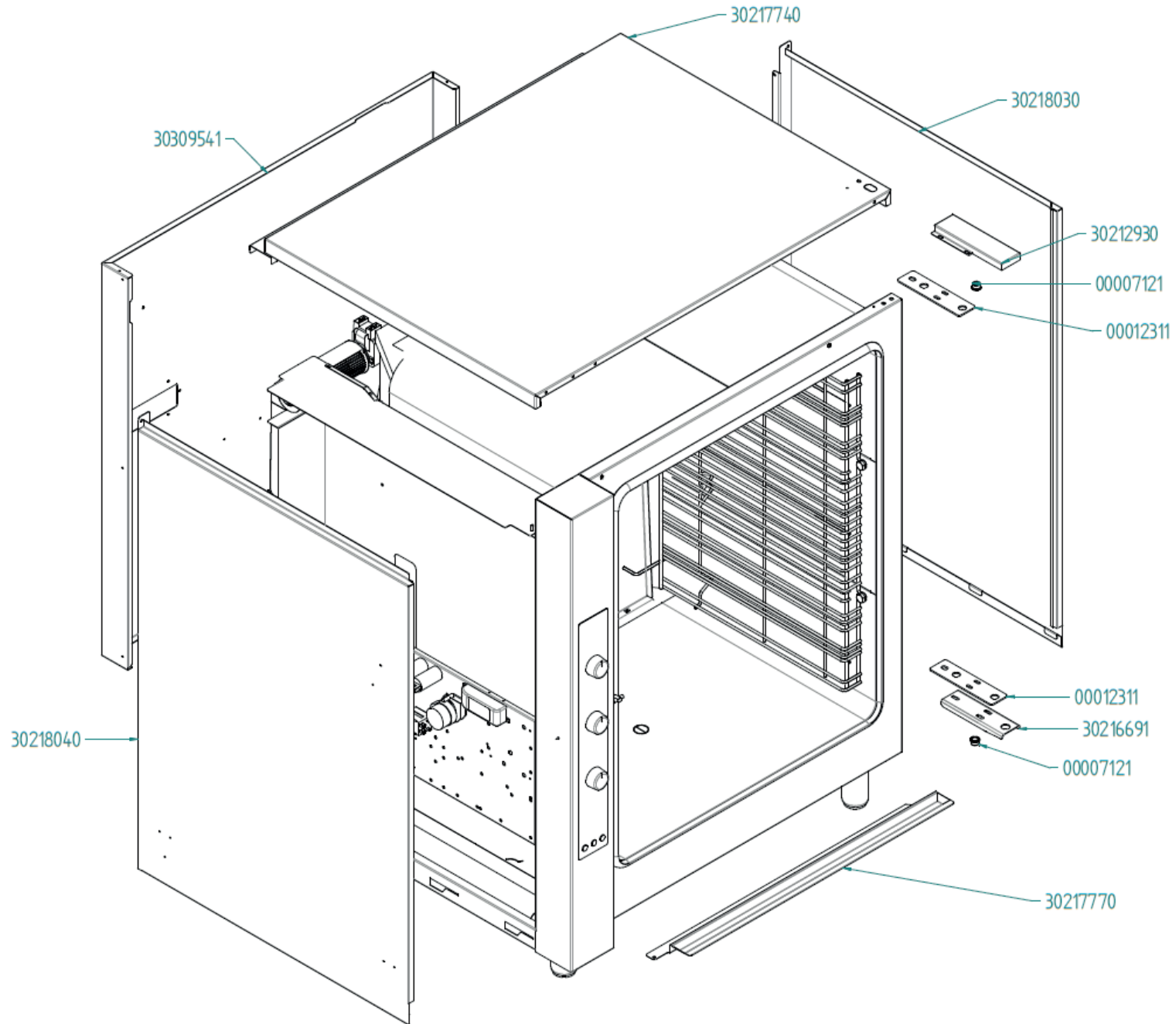


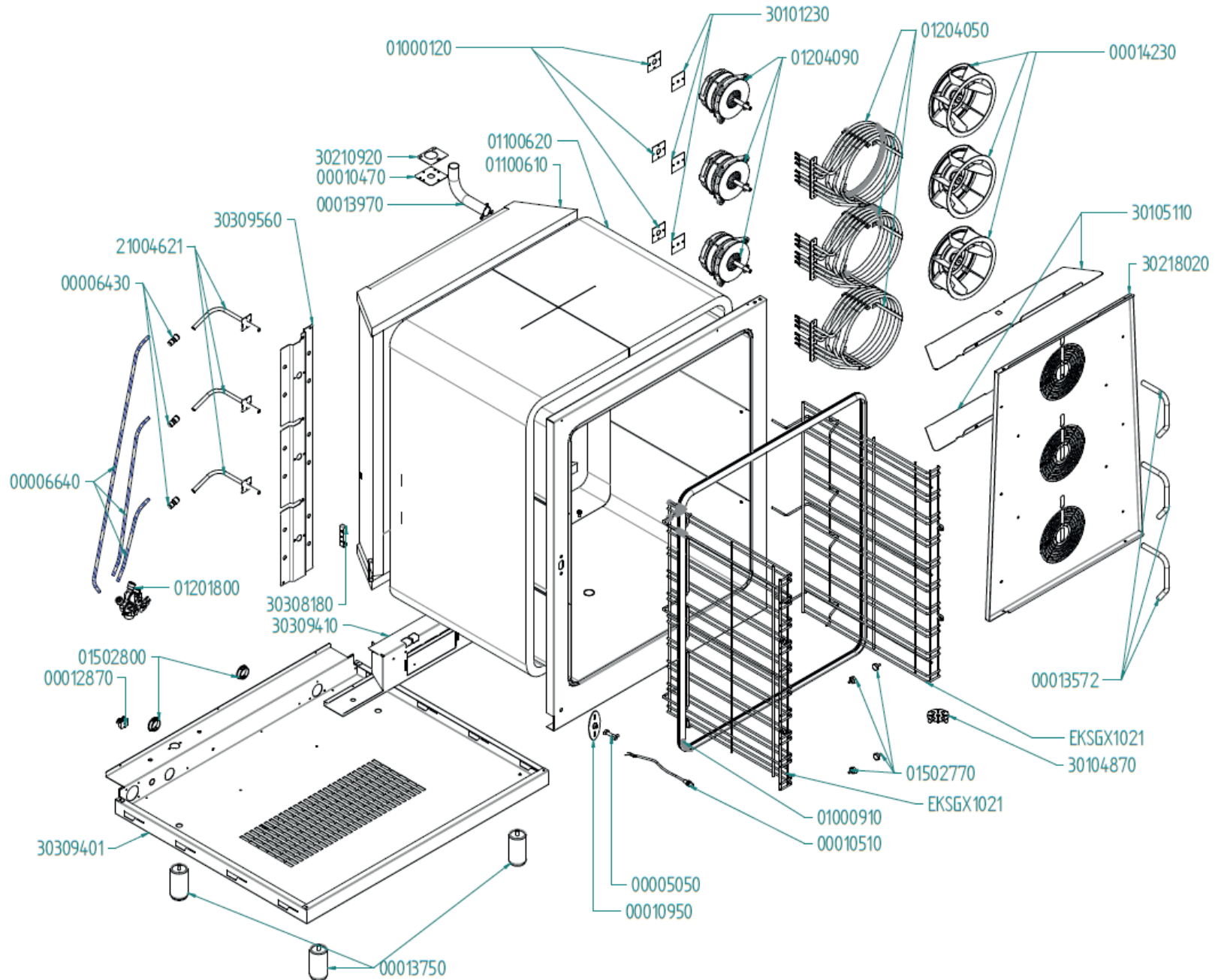


EXPLODED VIEW EKF 1021 UD

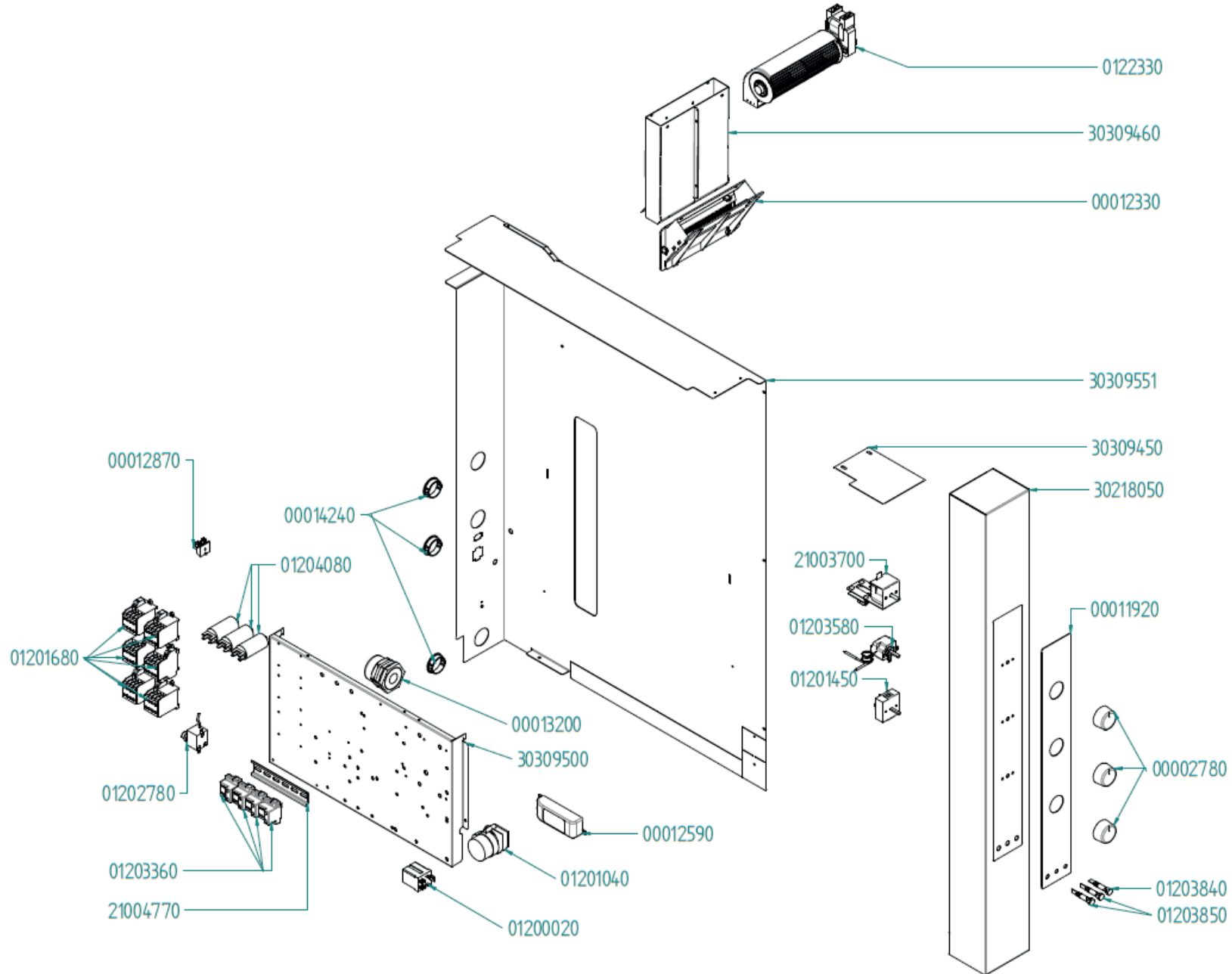




EXPLODED VIEW EKF 1021 UD



EXPLODED VIEW EKF 1021 UD



EXPLODED VIEW EKF 1021 UD

