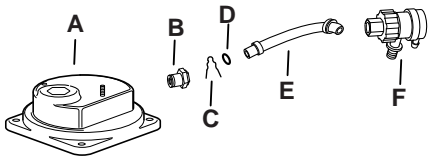


**VERSIONE ELC.2**

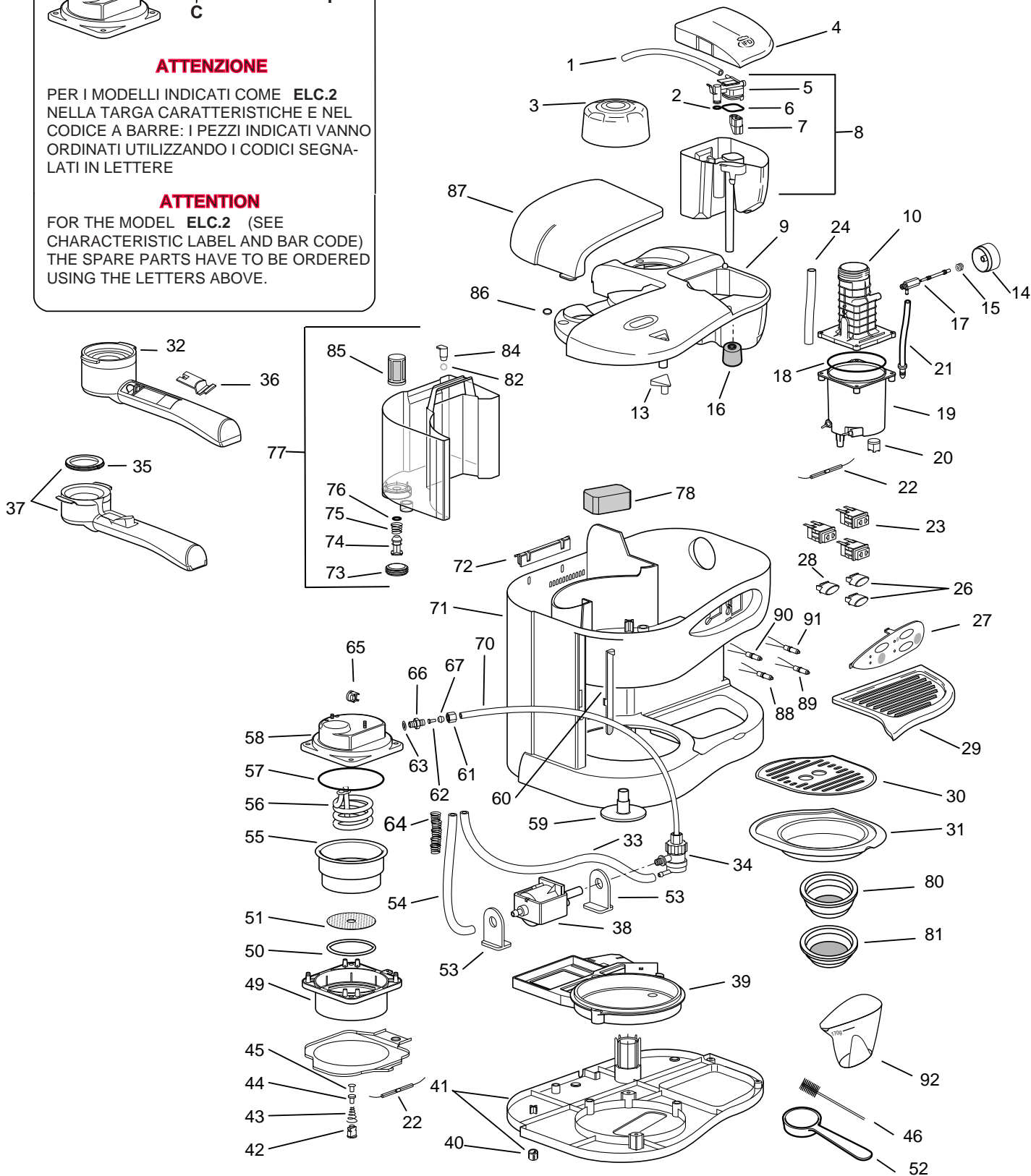


**ATTENZIONE**

PER I MODELLI INDICATI COME **ELC.2** NELLA TARGA CARATTERISTICHE E NEL CODICE A BARRE: I PEZZI INDICATI VANNO ORDINATI UTILIZZANDO I CODICI SEGNALATI IN LETTERE

**ATTENTION**

FOR THE MODEL **ELC.2** (SEE CHARACTERISTIC LABEL AND BAR CODE) THE SPARE PARTS HAVE TO BE ORDERED USING THE LETTERS ABOVE.



Position	Code	description
D	5313217701	O-RING D=3,85
C	6132101300	CLIP
	7332122300	FILTER HOLDER PODS UNIVERSAL
F	7313286129	VALVE
	9811040850	SCREW
	5332173200	DUCT LOWER
E	5532112100	TUBE
	9815002850	INOX NUT M10 X 1.25 (BOILER/TAP)
	9815003750	INOX NUT M8 X 1 (BOILER/JUNCTION)
B	6213210431	CONNECTION
	5332180400	SLIDING BLOCK BLACK(PA66)
001	5332100500	TUBE
002	535692	O-RING
003	7313286099	SAFETY CAP
004	5932103200	COVER
005	7313285809	REGULATOR
006	536372	GASKET
007	5332102100	MIXER
008	7332112400	TRAY
010	7032101300	BODY
013	5332109100	STOPPER
014	5532107100	KNOB
015	611900	SPRING
016	5332100600	CAP
017	7332119700	TAP
018	535750	GASKET
019	7032100600	BOILER
020	VI000	SEE TECNICAL INFORMATION
021	537200	CONNECTION
022	511816	FUSE
023	5132100700	SWITCH
024	5332101100	TUBE
026	537238	PUSH BUTTON COVER BLACK
027	5932103000	CONTROL PANEL
028	5332115000	PUSH BUTTON COVER GREY
029	537233	CUP PLATE
030	6232104000	CUP PLATE

031	5332108400	TRAY
032	7332109900	SUMP
033	5332111500	TUBE (SIL NAT)DI=7 DE=10 L=120
034	7313211921	VALVE
035	5332117600	GASKET
036	534714	LEVER
038	5113211281	PUMP
039	5332108500	SUPPORT
040	532233	RUBBER PAD
041	5532107000	BOTTOM
042	6232103400	DOWEL
043	6113211931	SPRING
044	621986	RING
045	5332289700	VALVE
046	552556	PIPE CLEANER
049	7032101500	SUPPORT
050	533218	GASKET
051	6032101200	DIFFUSER
052	5332169200	MEASURING SPOON
053	534848	SUPPORT
054	5332110600	TUBE (SIL NAT)DI=4 L=220
055	6832101000	BOILER LOWER
056	7313285929	HEATING Element
057	533216	GASKET
058	6832103900	BOILER
059	534801	PRESSING DEVICE
060	5932103400	INDICATOR
061	621968	NUT
062	621970	RING
063	9850081500	WASHER
064	6132101000	SPRING
065	5232100600	THERMOSTAT 105°
066	7032103100	CONNECTION
067	621967	NOSE
070	5332110200	TUBE
071	5332115100	BODY
072	5332108900	HINGE
073	5332108700	GASKET

074	5332109000	PISTON
075	6132100800	SPRING
076	5332111600	O-RING
077	7332111300	TANK
078	ES000	*NOT AVAILABLE
080	607836	Small one-cup
081	607731	Large two-cup filter
082	5332112100	BALL
084	534629	STOPPER
085	5332110400	FILTER
086	535714	STOPPER
087	5332108200	COVER
089	512888	Orange Warning Light
090	512641	Green Warning Light
091	5132100300	Green Warning Light