

ERGO60 VL-4

Reservedelsmanual Spare part manual Ersatzteilmanual



| Version | Maskinnr./ machine no. | Del / Part | Side / Page |
|---------|---------------------------|---|----------------------------------|
| 062015 | | Afbryder greb/ Switch handle | Stativ / Column |
| 082015 | | Sikkerhedsskærm plast/ Safety guard, plastic | Sikkerhedsskærm/ Safety guard |
| 042016 | 60005549 | kedelarme / Bowl arms | Kedelarme / Bowl arms |
| 042016 | 60005549 | Føler i kedelarme /sensor in bowl arms | Kabler / Cables |
| 112016 | 60005820 | Bremse / Brake | Bremse / Brake |
| 052017 | 60005969 | Kamleje kulissestyr / cam follower | kedelarme / Bowl arms |
| 052017 | 60005969 | Bøjlestyreplade / Guide plate | Stativ / Machine column |
| 112017 | | Nødstop / Emergency stop | Frontpanel / Front panel |

Varimixer

DK EN DE

Varimixer A/S
Kirkebjerg Søpark 6
DK-2605 Brøndby
Denmark

P: +45 4344 2288
E: info@varimixer.com
www.varimixer.com

Ordrenummer: 00279
May 2019

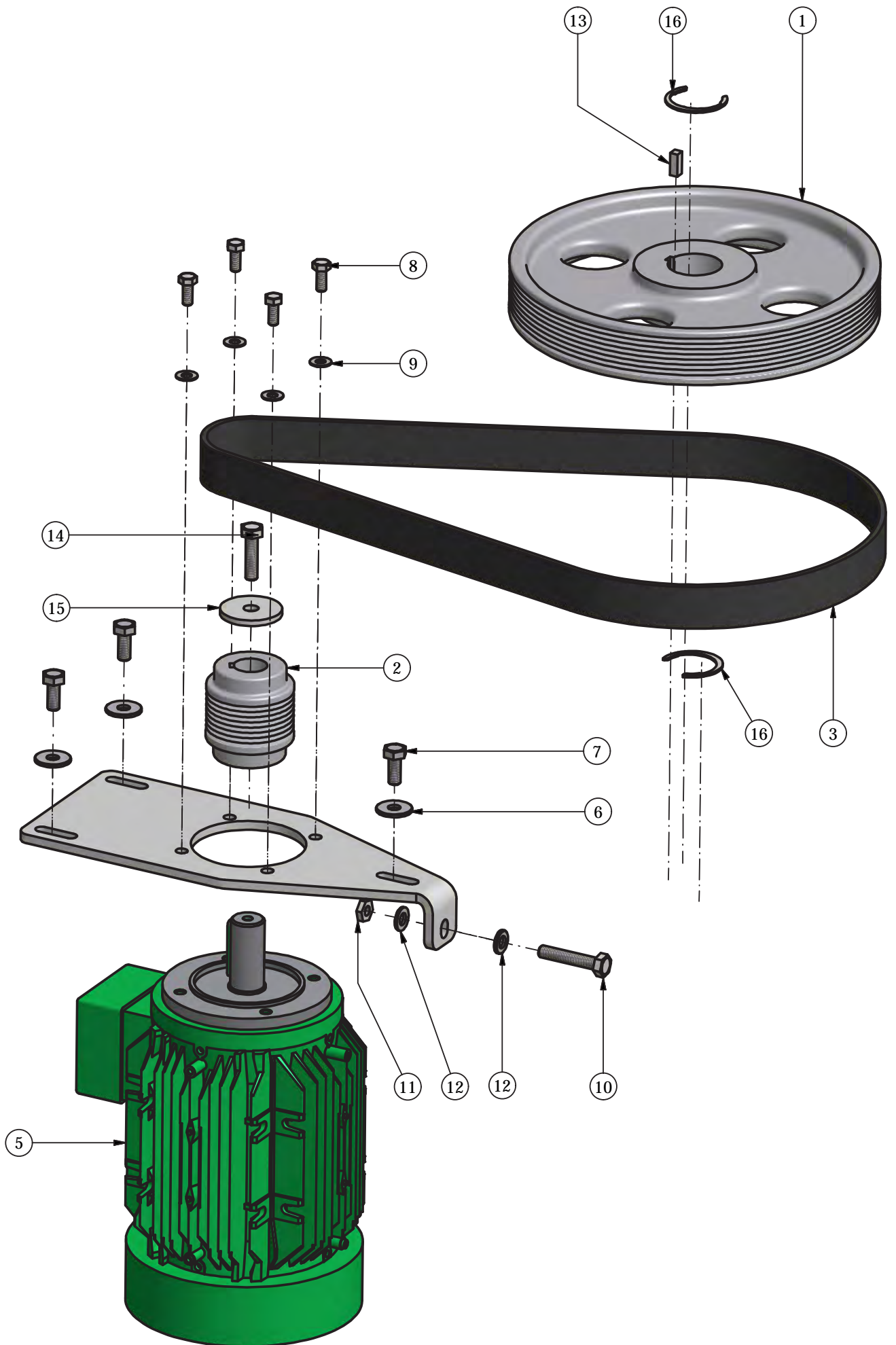
INDHOLDSFORTEGNELSE

CONTENTS

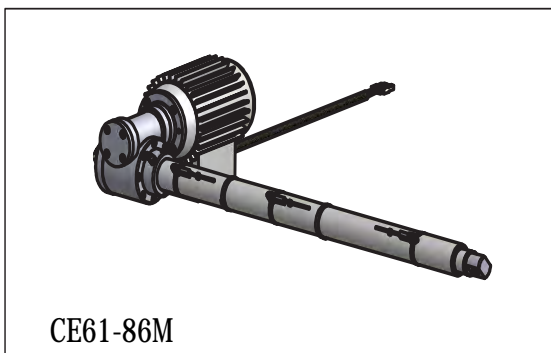
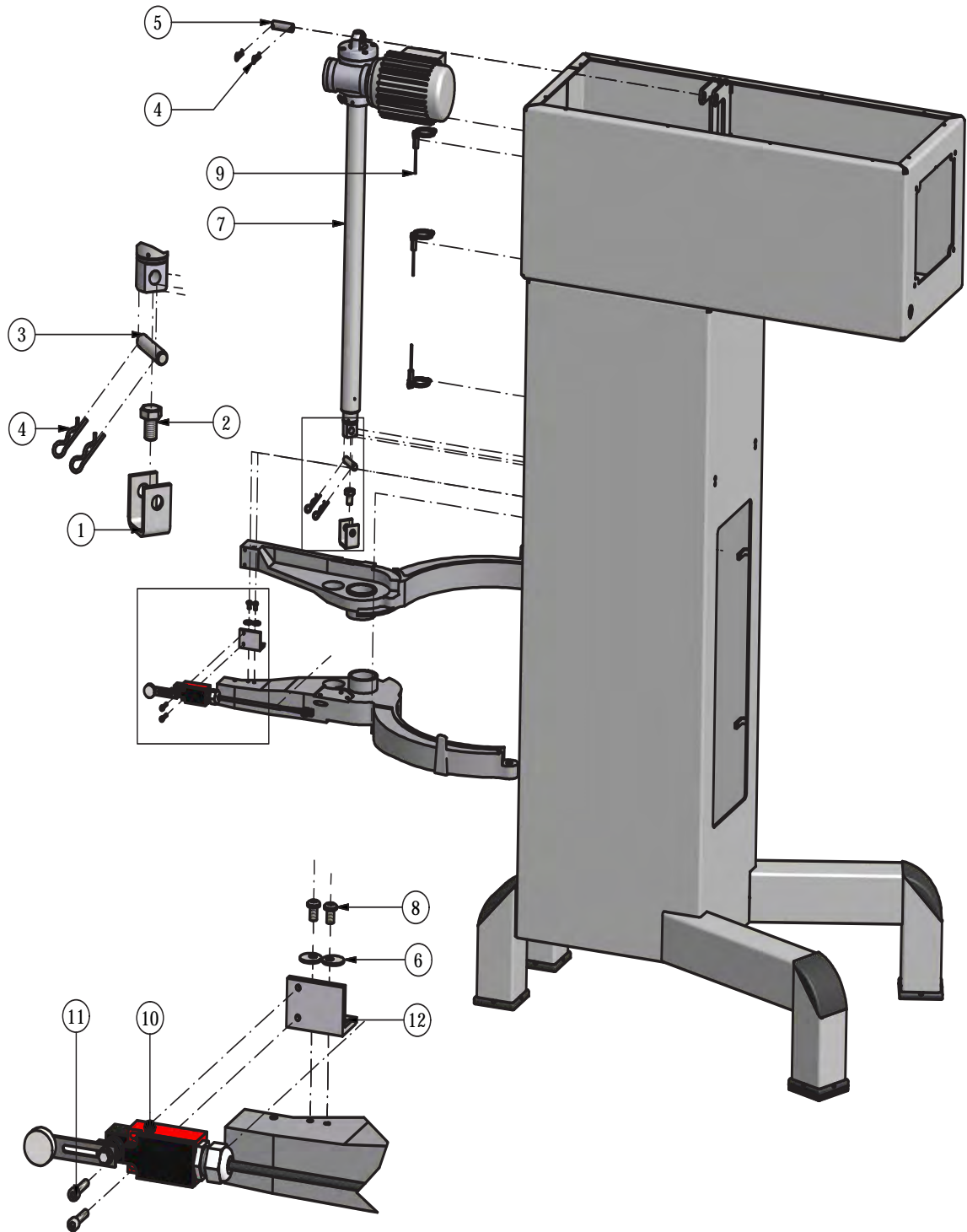
INHALT

| | | | |
|------------------------------------|------------------------------------|-------------------------------------|----|
| TRANSMISSION | TRANSMISSION | TRANSMISSION | 3 |
| LØFTESYSTEM..... | LIFTING SYSTEM..... | HUBSYSTEM | 4 |
| KEDELARME til 60005548 | BOWL ARMS to 60005548..... | KESSEL ARME bis zur 60005548 | 6 |
| KEDELARME 60005549 - 60005968 | BOWL ARMS 60005549 - 60005968..... | KESSEL ARME 60005549-60005968..... | 8 |
| KEDELARME fra 60005969 | BOWL ARMS from 60005969..... | KESSEL ARME ab 60005969 | 10 |
| SIKKERHEDSSKÆRM | SAFETY GUARD | SCHUTZSCHIRM..... | 12 |
| RØREHOVED..... | PLANETARY HEAD | RÜHRKOPF | 14 |
| STATIV til 60005968 | MACHINE COLUMN to 60005968 | MASCHINENSTÄNDER bis zur 60005968.. | 16 |
| STATIV fra 60005969 | MACHINE COLUMN from 60005969 | MASCHINENSTÄNDER ab 60005969..... | 18 |
| BREMSE fra 60005820 | BRAKE from 60005820 | BREMSE biz zur 60005820..... | 20 |
| FRONTPANEL | FRONT PANEL | BEDIENUNGSPANEL..... | 21 |
| ELKASSE til 60005819 | ELECTRIC-BOX to 60005819..... | SCHALTKASTEN biz zur 60005819..... | 22 |
| ELKASSE fra 60005820 | ELECTRIC-BOX from 60005820..... | SCHALTKASTEN zur 60005820 | 24 |
| FREKVENSBOMFORMER..... | FREQUENCY CONVERTER..... | FREQUENZUMRICHTER | 26 |
| KABLER til 60005548..... | CABLES to 60005548 | KABEL bis zur 60005548..... | 28 |
| KABLER fra 60005969..... | CABLES from 60005969 | KABEL ab 60005969 | 30 |
| KEDLER OG RØREVÆRKTØJ | BOWLS AND MIXING TOOLS | KESSEL UND RÜHRWERKZEUGE..... | 32 |

| ITEM | Part number | Navn | Name | Sælges som / Sold as |
|------|-------------|----------------------|---------------------------|----------------------|
| 1 | CE61-129 | Remhjul rørehoved | Beltwheel planetary gear | |
| 2 | CE101-128 | Remhjul motor | Beltwheel motor | |
| 3 | CE61-90 | Micro V- rem | Micro V-rem | |
| 5 | CE61-85 | Motor 3kw | Motor 3kw | |
| 6 | STA6033 | Skive ø10,5-ø30x2,5 | Flatwasher ø10,5-ø30x2,5 | |
| 7 | STA5344 | Sekskantskrue M10x25 | Hex cap screw M10x25 | |
| 8 | STA5322 | Sekskantskrue M8x20 | Hex cap screw M8x20 | |
| 9 | STA6020 | Skive ø8,4/ø18x1,25 | Flatwasher ø8,4/ø18x1,25 | |
| 10 | STA5348 | Sekskantskrue M10x55 | Hex cap screw M10x55 | |
| 11 | STA5825 | Møtrik M10 | Hexagon nut M10 | |
| 12 | STA6026 | Skive ø10,5-ø20x2,5 | Flat washer ø10,5-ø20x2,5 | |
| 13 | STA2030 | Pasfeder 8x7x20 | Feather Key 8x7x20 | |
| 14 | STA5346 | Sekskantskrue M10x40 | Hex cap screw M10x40 | |
| 15 | AE140-85.01 | Skive | Flatwasher | |
| 16 | STA3427 | H45 Seegering | H45 Seegering | |



| ITEM | Part number | Navn | Name | Sælges som / Sold as |
|------|-------------|--------------------------------|------------------------------|-------------------------|
| 1 | AR140-116 | Beslag for løftemotor | Bracket lift motor | |
| 2 | STA5347 | Sekskantskrue M12x20 | Hex cap screw M12x20 | |
| 3 | RN100-86.3S | Pind | Lift shaft | |
| 4 | STA6205 | Fjerdersplit ø2,5 | Spring cotters for bolt ø2,5 | |
| 5 | CE61-86.3 | Aksel aktuator | Shaft Actuator | |
| 6 | AE140-172.3 | Excentrisk skive | Flatwasher excentric | |
| 7 | CE61-86 | Aktuator | Actuator | CE61-86M |
| 8 | STA5689 | Flangehoved skrue M6x10 | Pan head screw M6x10 | |
| 9 | AE140-86.1M | Reed kontakt | Reed contact | |
| 10 | CE61-173.1M | CE micro mont. ERGO 60/100L | CE micro ERGO 60/100L | CE61-173.1M |
| 11 | STA5627 | Cyl.skrue m. indiv.6kt.M5x25mm | Cyl.screw M5x25mm | |
| 12 | AE61-173.15 | CE micro beslag til bøjle | CE micro bracket for bowlarm | |



CE61-86M



CE61-173.1M

Til maskinnummer: _____ To machine number: _____ bis zur Maschinenummer: _____
60005548

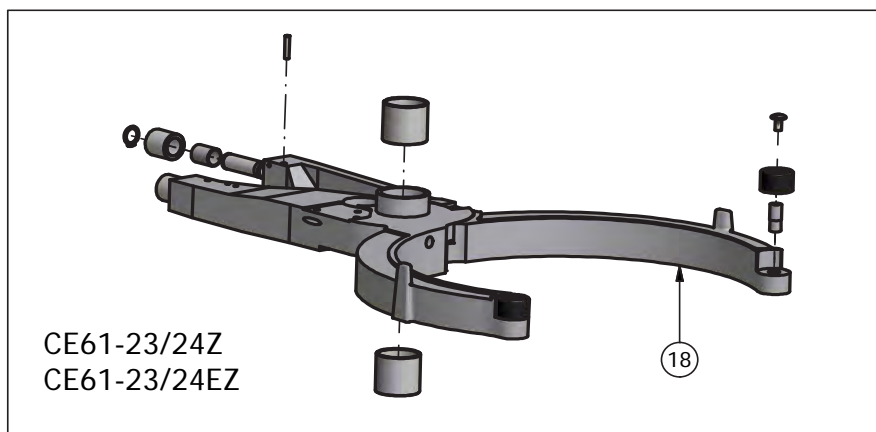
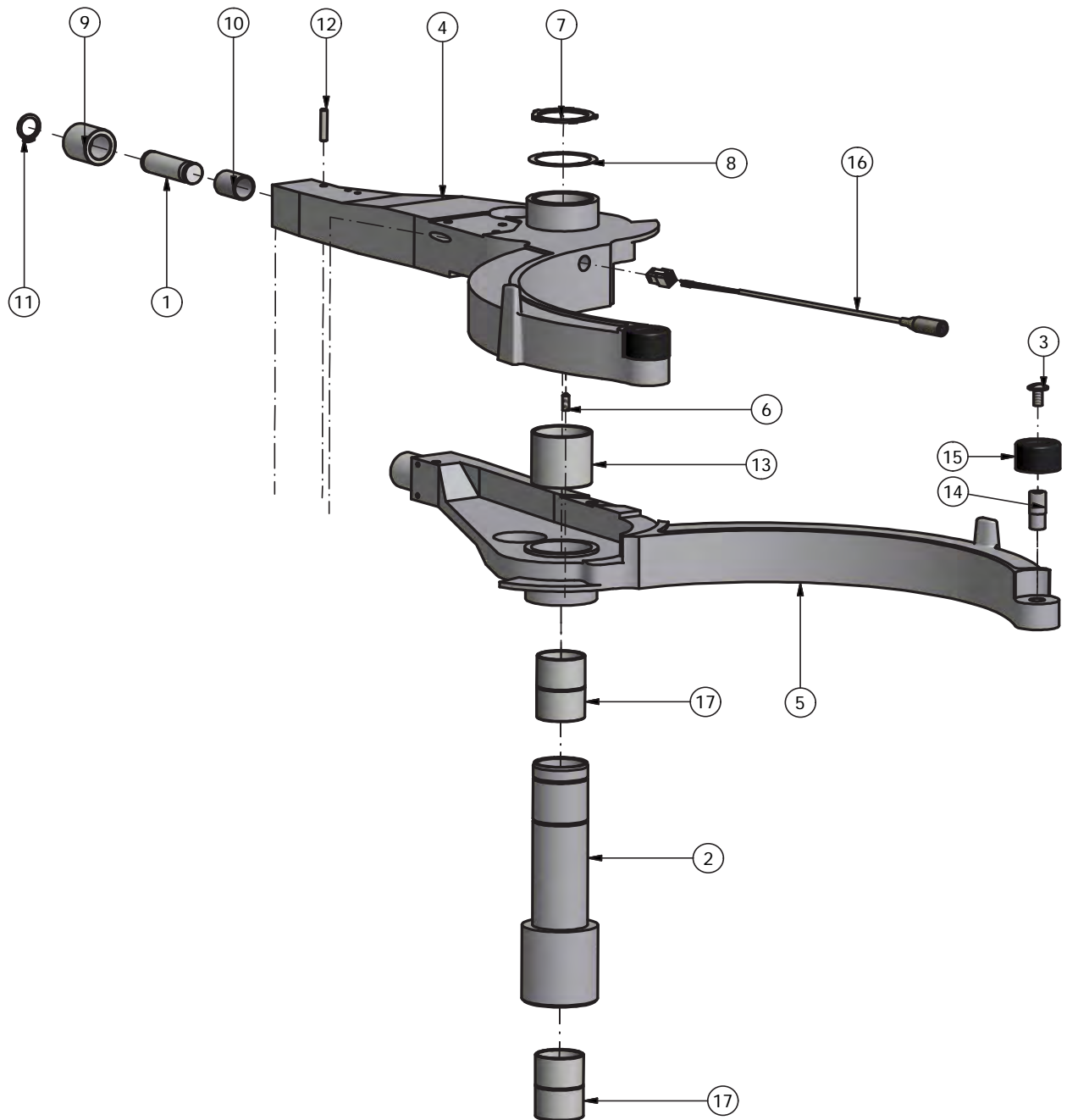
| ITEM | Part number | Navn | Name | Sælges som / Sold as |
|------|-------------|-----------------------------|------------------------------|----------------------|
| 1 | AR81-71.10 | Aksel til bøjlestyr | Bushing guideshaft | |
| 2 | AE101-69.2 | Glidbøsning 100L | Sliding bushing 100L | |
| 3 | STA5088 | Fladrundhoved skrue M8x16 | Thrust head screw M8x16 | |
| 4 | CE61-23 | Bøjle venstre | Bowlarm left | Item 18 |
| 5 | CE61-24 | Kedelbøjle højre | Bowlarm right | Item 18 |
| 6 | STA5725 | Pinolskrue M6x16 | Set screw M6x16 | |
| 7 | STA3464 | Seegerring AK50 | Retainingring AK50 | |
| 8 | STA6075 | Passkive ø50 x ø62 x 0,5mm | Washer ø50 x ø62 x 0,5mm | |
| 9 | CE61-71.5 | Bøsning til bøjlestyr | Bushing guideplate | CE61-71.5M |
| 10 | STA2515 | Lejebøsning MB2030DU | Bearing MB2030DU | CE61-71.5M |
| 11 | STA3408 | Seegerring A20 | Retainingring A20 | |
| 12 | STA6370 | Spændstift ø6x30mm | CotterPin ø6x30mm | |
| 13 | STA2531 | Lejebøsning MB5050DU | Bushing MB5050DU | |
| 14 | AR31-127 | Aksel for kedelrulle | Bowl roller shaft | |
| 15 | AR31-128 | Kedel rulle | Bowl roller | |
| 16 | R20E-501.4 | Induktiv sensor | Inductive sensor | CE61-501.5Z |
| 17 | STA2526 | Lejebøsning MB4030DU | Bushing MB4030DU | |
| 18 | | Bøjlesæt samlet sort | Bowlarms complete Black | CE61-23/24Z |
| | | Bøjlesæt samlet elforzinket | Bowlarms complete galvanized | CE61-23/24EZ |

Til maskinnummer

To machine number

Bis zur Maschinenummer

60005548



maskinnummer:

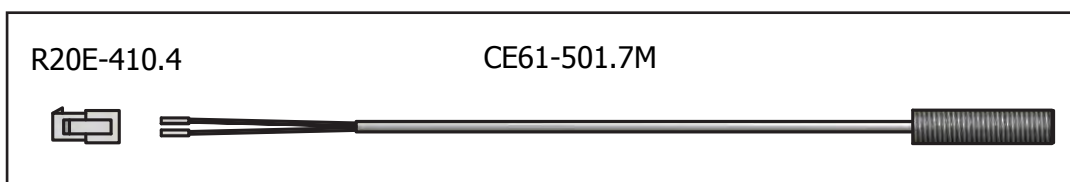
machine number:

Maschinenummer:

60005549 - 60005968

| ITEM | Part number | Navn | Name | Sælges som / Sold as |
|------|-------------|---|---|----------------------|
| 1 | AR81-71.10 | Aksel til bøjlestyr | Bushing guideshaft | |
| 2 | AE101-69.2 | Glidébøsning 100L | Sliding bushing 100L | |
| 3 | STA5088 | Fladrundhoved skrue M8x16 | Thruss head schrew M8x16 | |
| 4 | CE61-23.3 | Bøjle venstre | Bowlarm left | Item 19 |
| 5 | CE61-24 | Kedelbøjle | Bowlarm | Item 19 |
| 6 | STA5725 | Pinolskrue M6x16 | Set screw M6x16 | |
| 7 | STA3464 | Seegerring AK50 | Retainningring AK50 | |
| 8 | STA6075 | Passkive $\varnothing 50 \times \varnothing 62 \times 0,5\text{mm}$ | Washer $\varnothing 50 \times \varnothing 62 \times 0,5\text{mm}$ | |
| 9 | CE61-71.5 | Bøsning til bøjlestyr | Bushing guideplate | CE61-71.5M |
| 10 | STA2515 | Lejebøsning MB2030DU | Bearing MB2030DU | CE61-71.5M |
| 11 | STA3408 | Seegerring A20 | Retainningring A20 | |
| 12 | STA6370 | Spændstift $\varnothing 6 \times 30\text{mm}$ | CotterPin $\varnothing 6 \times 30\text{mm}$ | |
| 13 | STA2531 | Lejebøsning MB5050DU | Bushing MB5050DU | |
| 14 | AR31-127 | Aksel for kedelrulle | Bowl roller shaft | |
| 15 | AR31-128 | Kedel rulle | Bowl roller | |
| 16 | R20E-410.4 | Molex stik (4 polet) | Molex socket (4 poles) | |
| 17 | STA2526 | Lejebøsning MB4030DU | Bushing MB4030DU | |
| 18 | CE61-501.7M | Induktiv sensor | Incuctive censor | CE61-501.7Z |
| 19 | | Bøjlesæt samlet sort | Bowlarm complete black | CE61-23/24.3Z |
| | | Bøjlesæt samlet Elzinket | Bowlarm complete galvanized | CE61-23/24.3EZ |
| | | Bøjlesæt samlet blå | Bowlarm complete blue | CE61-23/24.3BZ |

CE61-501.7Z

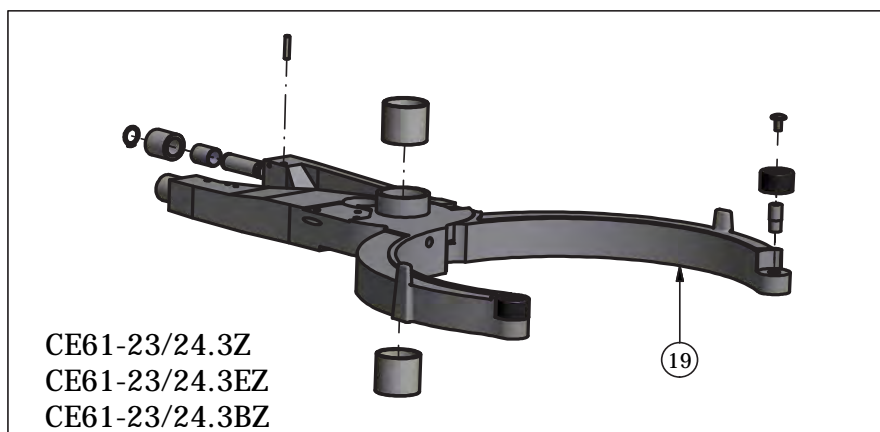
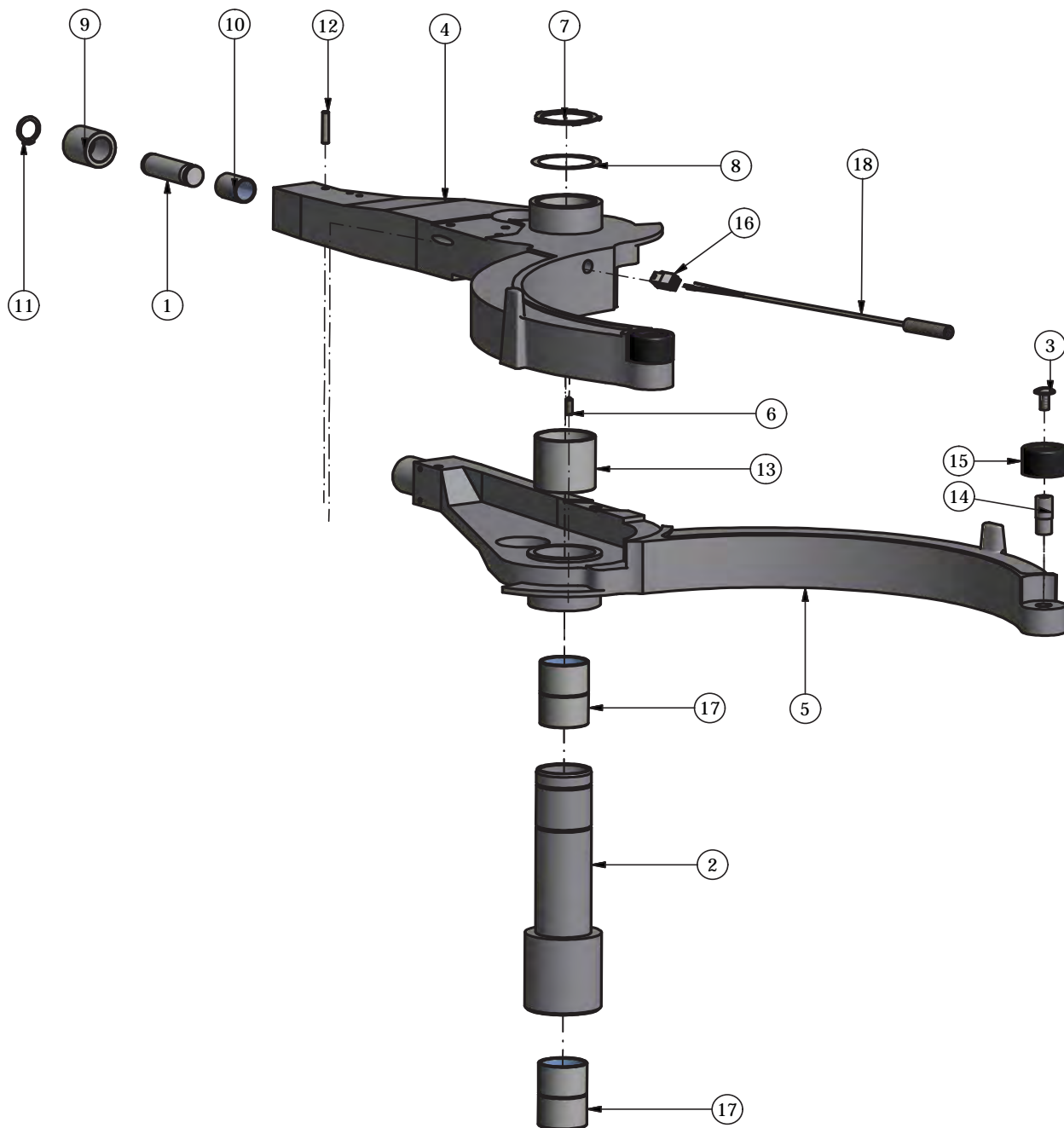


maskinnummer

machine number

Maschinennummer

60005549 - 60005968

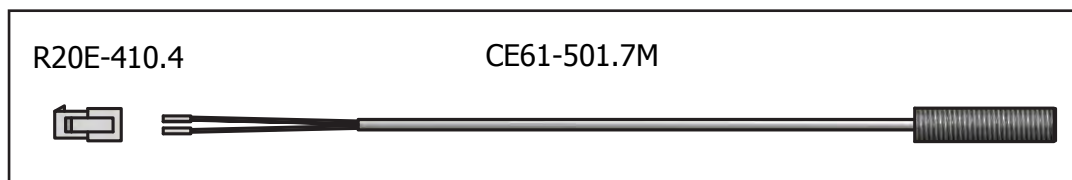


CE61-23/24.3Z
 CE61-23/24.3EZ
 CE61-23/24.3BZ

Fra maskinnummer From machine number Ab Maschinenummer
60005969

| ITEM | Part number | Navn | Name | Sælges som / Sold as |
|------|-------------|---|---|---|
| 1 | AE101-69.2 | Glidebøsning 100L | Sliding bushing 100L | |
| 2 | STA5088 | Fladrundhoved skrue M8x16 | Thrust head screw M8x16 | |
| 3 | CE61-23.3 | Bøjle venstre | Bowlarm left | Item 17 |
| 4 | CE61-24 | Kedelbøjle | Bowlarm | Item 17 |
| 5 | STA5725 | Pinolskrue M6x16 | Set screw M6x16 | |
| 6 | STA3464 | Seegerring AK50 | Retaining ring AK50 | |
| 7 | STA6075 | Passkive ø50 x ø62 x 0,5mm | Washer ø50 x ø62 x 0,5mm | |
| 8 | STA6370 | Spændstift ø6x30mm | Cotter Pin ø6x30mm | |
| 9 | STA2531 | Lejebøsning MB5050DU | Bushing MB5050DU | |
| 10 | AR31-127 | Aksel for kedelrulle | Bowl roller shaft | |
| 11 | AR31-128 | Kedel rulle | Bowl roller | |
| 12 | R20E-410.4 | Molex stik (4 polet) | Molex socket (4 poles) | |
| 13 | STA2526 | Lejebøsning MB4030DU | Bushing MB4030DU | |
| 14 | CE61-501.7M | Induktiv sensor | Inductive sensor | CE61-501.7Z |
| 15 | AE61-92 | Kamleje kulussestyr | Cam follower | |
| 16 | AE61-92.1 | Bøsning, kulissestyrelade | Bushing | |
| 17 | | Kedelbøjler, samlet sort Bøjlesæt samlet Elzinket Bøjlesæt samlet blå | Bowl arms, complete Bowlarm complete galvanized Bowlarm complete blue | CE61-23/24.4Z CE61-23/24.4EZ CE61-23/24.4BZ |

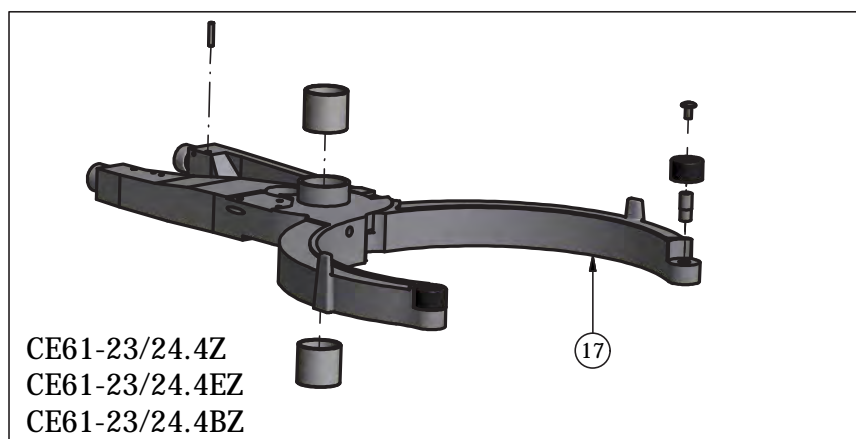
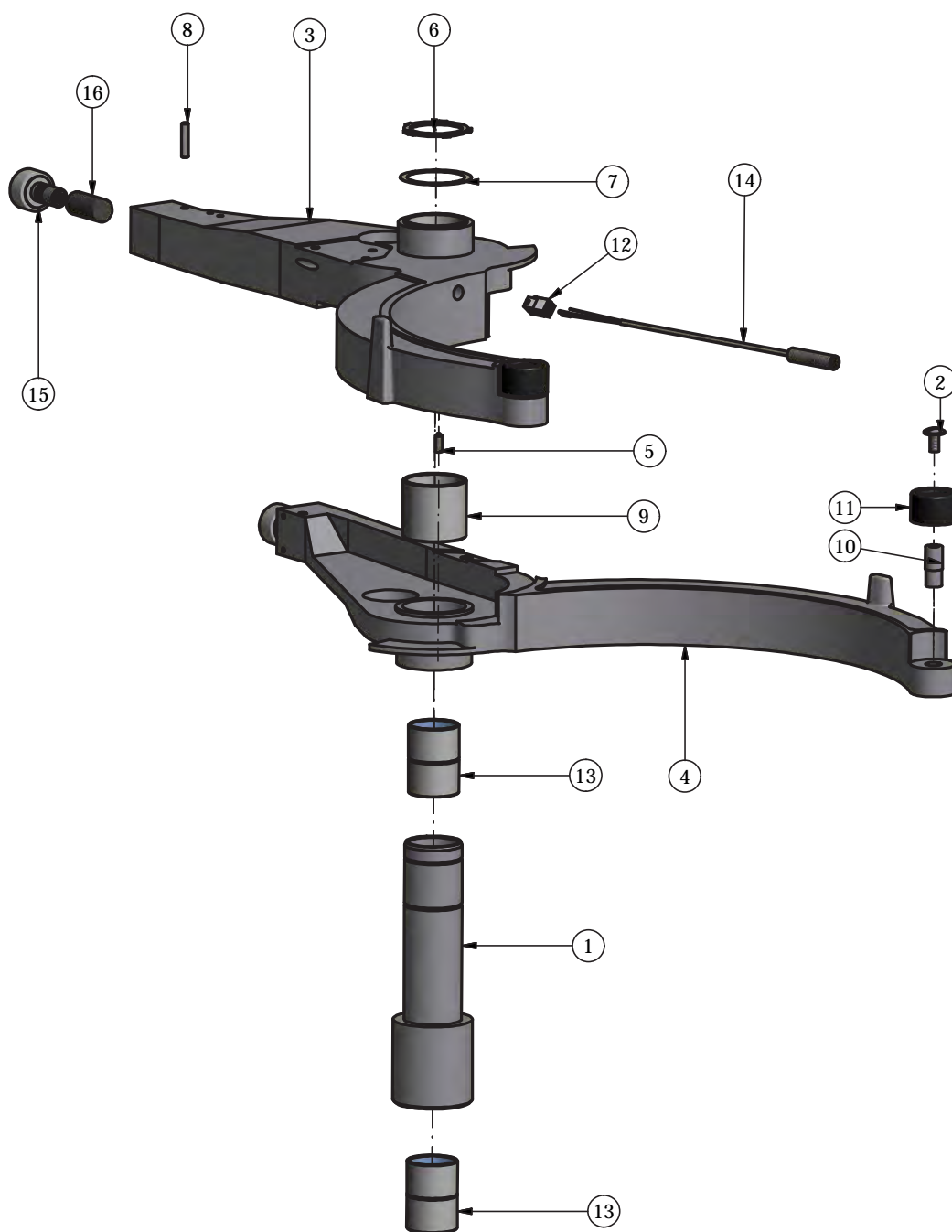
CE61-501.7Z



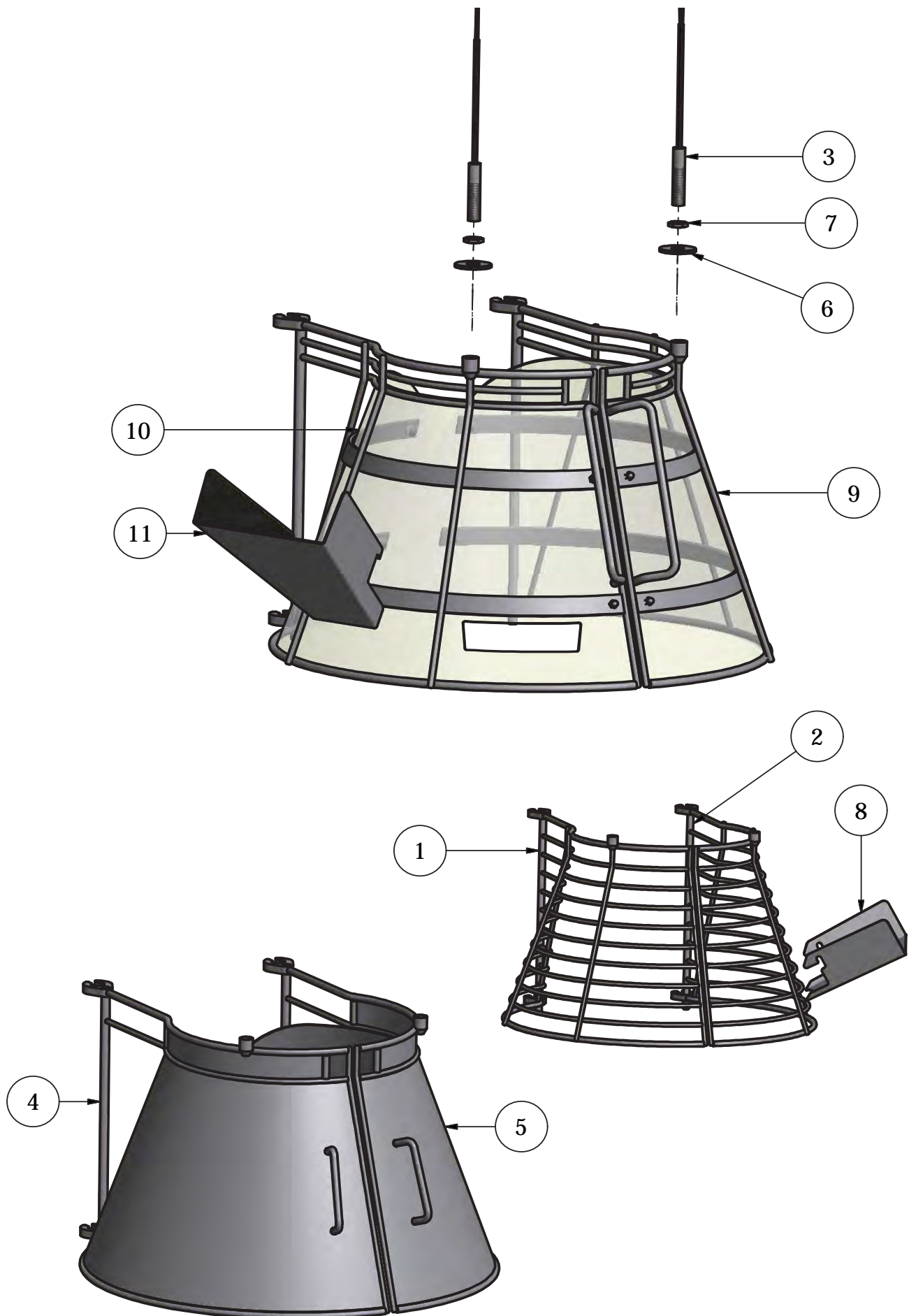
Fra maskinnummer

From machine number

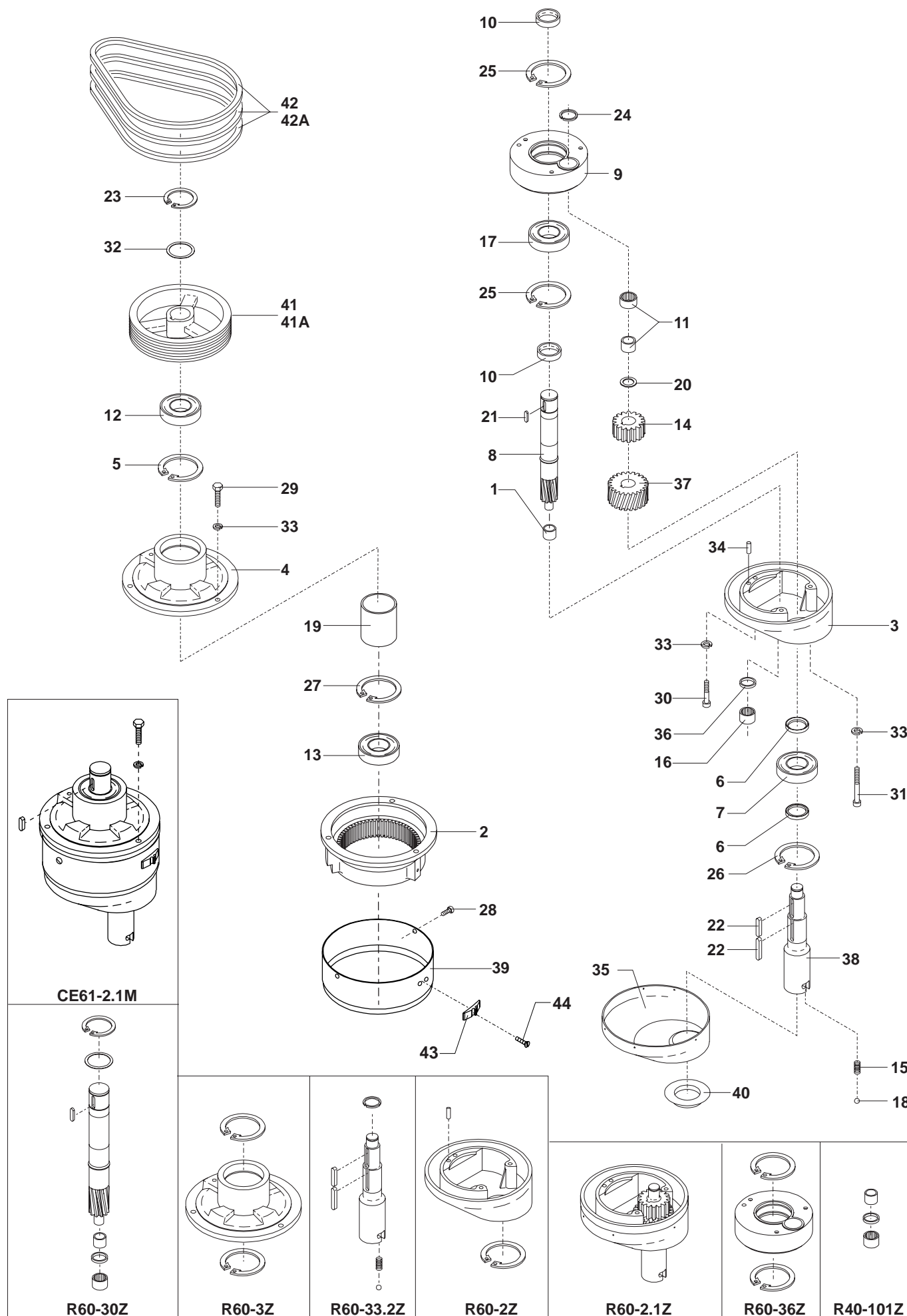
Ab Maschinenummer

60005969

| ITEM | Part number | Navn | Name | Sælges som / Sold as |
|------|-------------|------------------------------------|-------------------------------|-------------------------|
| 1 | 56CE61-22 | Sikkerheds gitterskærm venstre 60L | Safty guard left 60L | 56CE61-22M |
| 2 | 56CE61-21 | Sikkerheds gitterskærm højre 60L | Safty guard right 60L | 56CE61-21M |
| 3 | AE140-512 | Magnet sensor | Magnet Sensor | AE140-512M |
| 4 | 35CE61-21 | Lukket sikkerhedsskærm Venstre | Closed safety guard Left | 56CE61-21.5M |
| 5 | 35CE61-22 | Lukket sikkerhedsskærm Højre | Closed safety guard Right | 56CE61-22.5M |
| 6 | STA6018 | Skive ø13-ø37x3 | Flatwasher ø13-ø37x3 | |
| 7 | AE140-512.1 | Møtrik M12 til sensor | Nut M12 to sensor | |
| 8 | 56G20-280 | Ifyldningsbakke | product tray | |
| 9 | 56CE61P-21M | Sikkerheds plast skærm højre 60L | Safty guard plastic right 60L | |
| 10 | 56CE61P-22M | Sikkerheds plastsærm venstre 60L | Safety guard plastic left 60L | |
| 11 | 56CE61P-280 | Efterfyldningsbakke | Fillingtray | |



| Fig no. | Order no. | Beskrivelse | Description | Beschreibung |
|------------------|------------|---|--|--|
| 1. | |sælges som R40-101Z..... |sold as R40-101Z..... |verkauft wie R40-101Z..... |
| 2. | R60-1 |tandkrans..... |gear wheel rim..... |zahnkrans..... |
| 3. | |sælges som R60-2Z..... |sold as R60-2Z..... |verkauft wie R60-2Z..... |
| 4. | |sælges som R60-3Z..... |sold as R60-3Z..... |verkauft wie R60-3Z..... |
| 5. | STA3528 |sikringsring 85l..... |circlip 85l..... |sprengring 85l..... |
| 6. | R40-34 |afstandsør..... |distance piece..... |abstandsrohr..... |
| 7. | R40-97 |kugleleje f/33n, 6208 2RS1C3..... |ball bearing 6208 2RS1C3..... |kugellager f/33n, 6208 2RS1C3..... |
| 8. | |sælges som R60-30Z..... |sold as R60-30Z..... |verkauft wie R60-30Z..... |
| 9. | |sælges som R60-36Z..... |sold as R60-36Z..... |verkauft wie R60-36Z..... |
| 10. | R60-37 |afstandsør..... |distance piece..... |abstandsrohr..... |
| 11. | R60-96 |nåleleje f/33ø, HK 3520 2RS..... |needle bearing f/33ø, HK 3520..... |nadellager f/33ø, HK 3520 2RS..... |
| 12. | R60-98 |kugleleje f/30ø, 6209 2RS1C3..... |ball bearing f/30ø, 6209 2RS1C..... |kugellager f/30ø, 6209 2RS1C3..... |
| 13. | R60-99 |kugleleje f/30m, 6209 2RS1C3..... |ball bearing f/30m, 6209 2RS1C..... |kugellager f/30m, 6209 2RS1C3..... |
| 14. | AR60-31 |mellemhjul..... |rim pinion..... |zwischenrad..... |
| 15. | R15-109 |fjeder f/33..... |spring f/33..... |feder f/33..... |
| 16. | |sælges som R40-101Z..... |sold as R40-101Z..... |verkauft wie R40-101Z..... |
| 17. | R60-100 |kugleleje f/30m, 6009 2RS1C3..... |ball bearing f/30m, 6009 2RS1C..... |kugellager f/30m, 6009 2RS1C3..... |
| 18. | R60-106 |kugle 3/8 rustfri..... |ball 3/8 s.s..... |kugel 3/8 rf..... |
| 19. | R60-141 |afstandsør..... |distance tube..... |abstandsrohr..... |
| 20. | R60-235 |aksialske..... |disc..... |axialscheibe..... |
| 21. | STA2030 |pasfeder B8x7x20..... |key B8x7x20..... |feder B8x7x20..... |
| 22. | STA2034 |pasfeder A 8x7x52..... |key A 8x7x52..... |feder A 8x7x52..... |
| 23. | STA3427 |sikringsring 45UC..... |circlip 45UC..... |sprengring 45UC..... |
| 24. | STA3474 |sikringsring SW30..... |circlip SW30..... |sprengring SW30..... |
| 25. | STA3523 |sikringsring 75l..... |circlip 75l..... |sprengring 75l..... |
| 26. | STA3526 |sikringsring 80l..... |circlip 80l..... |sprengring 80l..... |
| 27. | STA3528 |sikringsring 85l..... |circlip 85l..... |sprengring 85l..... |
| 28. | STA5044 |Skruer M4x16 unders. DIN965A..... |Screw M4x16 counters. DIN965A..... |Senkskrue M4x16 DIN965A..... |
| 29. | STA5346 |sætskrue M10x40..... |screw M10x40..... |schraube M10x40..... |
| 30. | STA5646 |cyl. skrue M10x110..... |screw M10x110..... |schraube M10x110..... |
| 31. | STA5650 |cyl. skrue M10x160..... |screw M10x160..... |schraube M10x160..... |
| 32. | STA6047 |passkive 45x55x0.5..... |washer 45x55x0.5..... |scheibe 45x55x0.5..... |
| 33. | STA6057 |fjederskive 10mm..... |lockwasher 10mm..... |federscheibe 10mm..... |
| 34. | STA6460 |kærvstift ø8x24..... |groov pin ø8x24..... |kerbstift ø8x24..... |
| 35. | W40-272.1 |rustfri hovedskærm f. skraber..... |headcap ss f. scraper..... |kopfschirm rf. f. abstreifer..... |
| 36. | |sælges som R40-101Z..... |sold as R40-101Z..... |verkauft wie R40-101Z..... |
| 37. | R60-32.1 |Mellemhjul 1. nederste..... |rim pinion 1. lower..... |Zwischenrad 1. unten..... |
| 38. | |sælges som R60-33.2Z..... |sold as R60-33.2Z..... |verkauft wie R60-33.2Z..... |
| 39. | AR60-162H |plastsøb HVID..... |plastic cap, white..... |kunststoff mantel, weiss..... |
| 40. | R60-209.1 |gummipakning f/33..... |rubber ring f/33..... |gummiring f/33..... |
| 41. | R60-129 |kileremskive 50Hz..... |v-belt pulley 50Hz..... |keilriemenscheibe 50Hz..... |
| 41A. | R60-129A |Kileremskive 60 Hz..... |v-belt pulley 60Hz..... |keilriemenscheibe 60Hz..... |
| 42 | R60-90 |standardkilerem SPA 850 50Hz..... |standard v-belt SPA 850 50Hz..... |standardkeilriemen SPA 850 50 Hz..... |
| 42A. | R60-90.1 |standardkilerem A35, 60Hz..... |standard v-belt A35, 60Hz..... |standardkeilriemen A35 60 Hz..... |
| 43 | 56AE140-23 |Låsebeslag sikkerhedsskærm..... |Locking bracket for safety guard..... |Schlossklammer für Schutzschirm..... |
| 44. | STA5632 |Skruer med krydskærv M4x16..... |screw M4x16..... |schraube M4x16..... |
| | | | | |
| CE61-2.1M | |rørehoved ERGO monteret hvid..... |planetary head ERGO assy. white..... |rührkopf mont. ERGO Weiss..... |
| R60-30Z | |hovedaksel kompl. |main shaft assy..... |hauptwelle kompl. |
| R60-3Z | |hovedleje monteret..... |main bearing mounted..... |hauptlager montiert..... |
| R60-33.2Z | |bajonetaksel kompl. |bayonetshaft assy. |bajonettwelle kompl. |
| R60-2Z | |ekscentrikkhoved kompl..... |eccentric head compl..... |exzentrikkopf kompl..... |
| R60-2.1Z | |ekscentrikkhoved monteret..... |eccentric head mounted..... |exzentrikkopf montiert..... |
| R60-36Z | |ekscentrikskive monteret..... |eccentric disc mounted..... |exzenterscheibe montiert..... |
| R40-101Z | |nåleleje kompl. BK3016..... |needle bearing compl. BK3016..... |nadellager kompl. BK3016..... |



Til maskinnummer: To machine number: bis zur Maschinenummer:
60005968

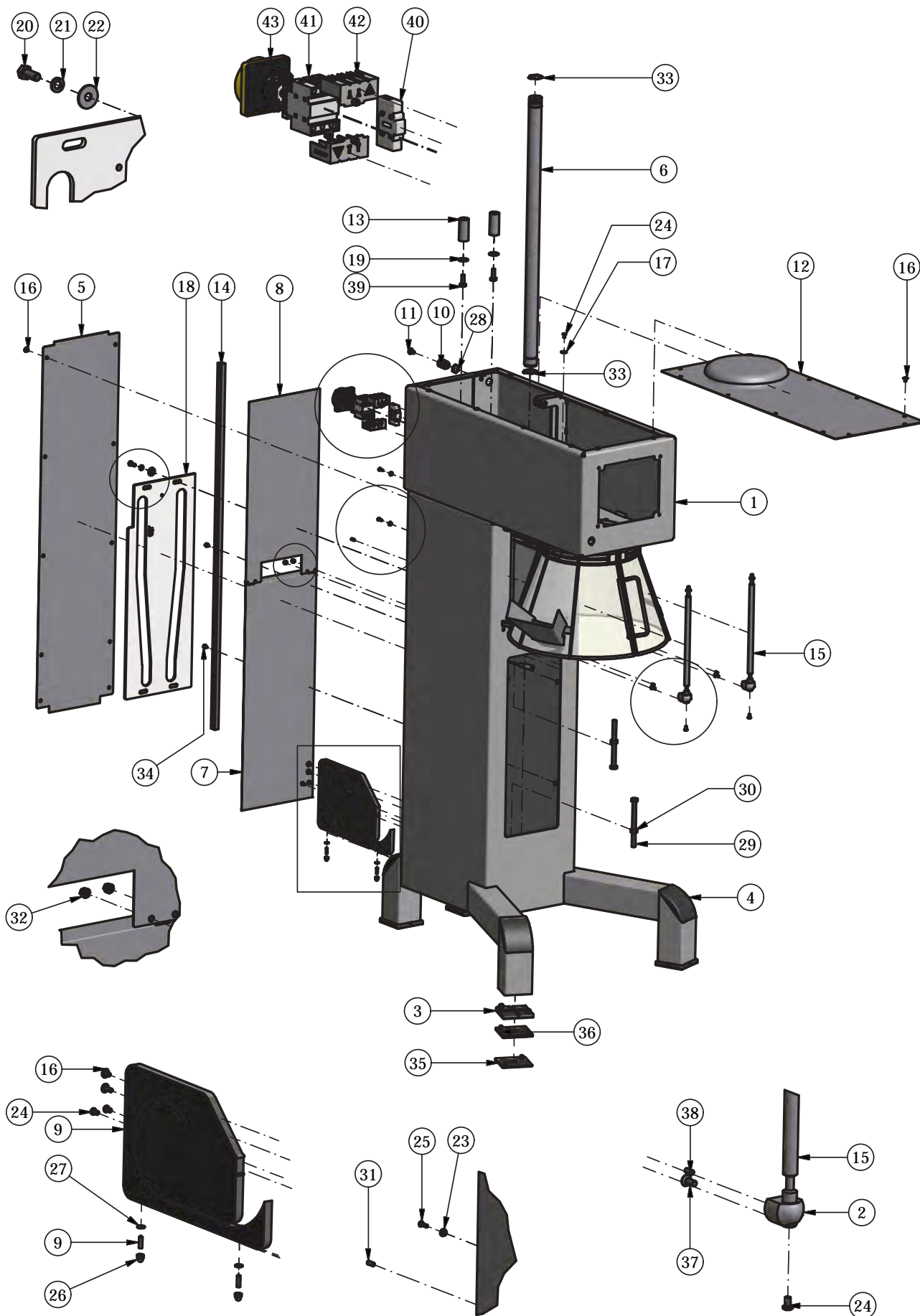
| ITEM | Part number | Navn | Name | Sælges som/ Sold as |
|------|--------------|--|---|------------------------|
| 1 | CE61-22 | Maskinstativ Komplet svejst | Machineframe Complete welded | |
| 2 | 56AE140-25.1 | Bundbeslag sikkerhedsskærm | Bottom bracket | |
| 3 | AR80-213 | Gummifod | Rubberfoot | |
| 4 | AR80-212 | Knæ, dækprop | Knee, plugbutton | |
| 5 | CE61-22.17R | Bagplade | Back cover | |
| 6 | CE101-68.1 | Bøjleaksel | Bowlshaft | |
| 7 | CE101-171 | NSF plade nederst | NSF plate low | |
| 8 | CE61-170M | NSF plade øverst Monteret | NSF Plate upper - mounted | |
| 9 | CE101-172 | NSF guideplade | NSF Guideplate | |
| 10 | STA3002 | PG 13.5 forskrning | PG 13.5 Cable inlet | |
| 11 | STA5088 | Fladrundhoved skrue M8x16 | Thrust head screw M8x16 | |
| 12 | CE61-21R | Låg med udluftning 60L | Topcover with ventilation 60L | |
| 13 | CE61-148.1 | Motorstag | Motor column | |
| 14 | CE61-172.2 | Guideskinne NSF | Guide NSF | |
| 15 | 56CE61-25 | Aksel sikkerhedsskærm | Shaft safetyguard | |
| 16 | STA5080 | Fladrundhoved skrue M6x10 | Thrust head screw M6x10 | |
| 17 | AE140-172.3 | Excentrisk skive | Flatwasher excentric | |
| 18 | CE61-71 | Bøjlestyreplade | Guideplate | |
| 19 | STA6033 | Skive $\varnothing 10,5$ - $\varnothing 30 \times 2,5$ | Flatwasher $\varnothing 10,5$ - $\varnothing 30 \times 2,5$ | |
| 20 | STA5322 | Sekskantskrue M8x20 | Hex cap screw M8x20 | |
| 21 | STA6056 | Fjederskive M8 | Helical springlock washer M8 | |
| 22 | STA6028 | Skive $\varnothing 8,4$ / $\varnothing 25 \times 2$ | Flatwasher $\varnothing 8,4$ / $\varnothing 25 \times 2$ | |
| 23 | STA5897 | Flange møtrik M5 | Flange Nut M5 | |
| 24 | STA5689 | Flangehoved skrue M6x10 | Pan head screw M6x10 | |
| 25 | STA5026 | Undersænket skrue med kærsv M4x8 | Screw M4x8 | |
| 26 | STA5839 | Topmøtrik M6 | Domed cap nut M6 | |
| 27 | STA6008 | Skive $\varnothing 6,4$ / $\varnothing 12,5 \times 1,6$ mm | Flatwasher $\varnothing 6,4$ / $\varnothing 12,5 \times 1,6$ mm | |
| 28 | STA3014 | PG 13.5 møtrik | PG 13.5 nut | |
| 29 | STA5368 | Sekskantskrue M12x20 | Hex cap screw M12x20 | |
| 30 | STA5811 | Møtrik M12 | Hexagon nut M12 | |
| 31 | STA5725 | Pinolskrue M6x16 | Set screw M6x16 | |
| 32 | STA5801 | Flange møtrik M5 | Flange Nut M5 | |
| 33 | STA3462 | Seegerring AK40 | Retainingring AK40 | |
| 34 | STA5819 | Møtrik M6 | Hexagon nut M6 | |
| 35 | AR80-214.3 | Justerplade 3mm | Adjustmentplate 3mm | |
| 36 | AR80-214.6 | Justerplade 6mm | Adjustmentplate 6mm | |
| 37 | STA5624 | Cylinderskrue undersænket M6x12 | Hexagon socket M6x12 | |
| 38 | STA5724 | Pinolskrue M5x10 | Set screw M5x10 | |
| 39 | STA5345 | Sekskantskrue M10x30 | Hex cap screw M10x30 | |
| 40 | AE61-251.1 | Jordklemme 194E-E32-PE | Ground clamp 194E-E32-PE | |
| 41 | AE61-251.2 | Afbryder 194E-E32-1753 | Switch 194E-E32-1753 | |
| 42 | AE61-251.3 | Klemmeafdækning 194E-25-C4 | Cover 194E-25-C4 | |
| 43 | AE61-251 | Afbryder greb | Switch handle | |

Til maskinnummer

To machine number

Bis zur Maschinenummer

60005968



Fra maskinnummer **From machine number** **Ab Maschinenummer**
60005969

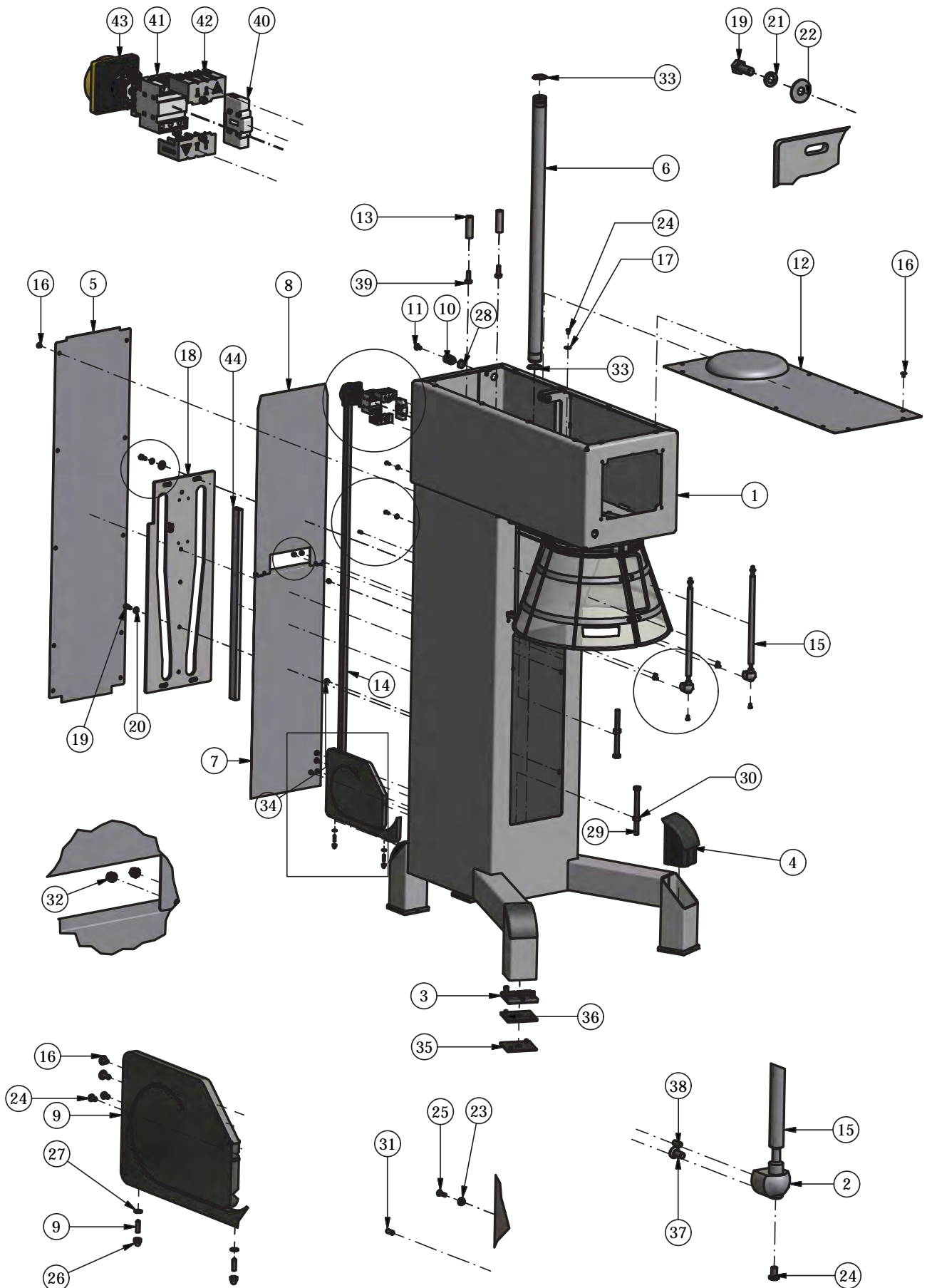
| ITEM | Part number | Navn | Name |
|------|--------------|----------------------------------|-------------------------------|
| 1 | CE61-22 | Maskinstativ Komplet svejst | Machineframe Complete welded |
| 2 | 56AE140-25.1 | Bundbeslag sikkerhedsskærm | Bottom bracket |
| 3 | AR80-213 | Gummifod | Rubberfoot |
| 4 | AR80-212 | Knæ, dækprop | Knee, plugbutton |
| 5 | CE61-22.17R | Bagplade | Back cover |
| 6 | CE101-68.1 | Bøjleaksel | Bowlshaft |
| 7 | CE101-171 | NSF plade nederst | NSF plate low |
| 8 | CE61-170M | NSF plade øverst Monteret | NSF Plate upper - mounted |
| 9 | CE101-172 | NSF guideplade | NSF Guideplate |
| 10 | STA3002 | PG 13.5 forskruring | PG 13.5 Cable inlet |
| 11 | STA5088 | Fladrundhoved skrue M8x16 | Thruss head schrew M8x16 |
| 12 | CE61-21R | Låg med udluftning 60L | Topcover with ventilation 60L |
| 13 | CE61-148.1 | Motorstag | Motor culumn |
| 14 | CE61-172.2 | Guideskinne NSF | Guide NSF |
| 15 | 56CE61-25 | Aksel sikkerhedsskærm | Shaft saftyguard |
| 16 | STA5080 | Fladrundhoved skrue M6x10 | Thruss head schrew M6x10 |
| 17 | AE140-172.3 | Excentrisk skive | Flatwasher excentric |
| 18 | CE61-71.1 | Bøjlestyreplade | Guideplate |
| 19 | STA5322 | Sekskantskrue M8x20 | Hex cap screw M8x20 |
| 20 | STA6020 | Skive ø8,4/ø18x1,25 | Flatwasher ø8,4/ø18x1,25 |
| 21 | STA6056 | Fjederskive M8 | Helical springlock washer M8 |
| 22 | STA6028 | Skive ø8,4/ø25x2 | Flatwasher ø8,4/ø25x2 |
| 23 | STA5897 | Flange møtrik M5 | Flange Nut M5 |
| 24 | STA5689 | Flangehoved skrue M6x10 | Pan head screw M6x10 |
| 25 | STA5026 | Undersænket skrue med kærsv M4x8 | Screw M4x8 |
| 26 | STA5839 | Topmøtrik M6 | Domed cap nut M6 |
| 27 | STA6008 | Skive ø6,4/ø12,5x1,6mm | Flatwasher ø6,4/ø12.5x1,6mm |
| 28 | STA3014 | PG 13.5 møtrik | PG 13.5 nut |
| 29 | STA5368 | Sekskantskrue M12x20 | Hex cap screw M12x20 |
| 30 | STA5811 | Møtrik M12 | Hexagon nut M12 |
| 31 | STA5725 | Pinolskrue M6x16 | Set screw M6x16 |
| 32 | STA5801 | Flange møtrik M5 | Flange Nut M5 |
| 33 | STA3462 | Seegerring AK40 | Retainingring AK40 |
| 34 | STA5819 | Møtrik M6 | Hexagon nut M6 |
| 35 | AR80-214.3 | Justerplade 3mm | Adjustmentplate 3mm |
| 36 | AR80-214.6 | Justerplade 6mm | Adjustmentplate 6mm |
| 37 | STA5624 | Cylinderskrue undersænket M6x12 | Hexagon socket M6x12 |
| 38 | STA5724 | Pinolskrue M5x10 | Set screw M5x10 |
| 39 | STA5345 | Sekskantskrue M10x30 | Hex cap screw M10x30 |
| 40 | AE61-251.1 | Jordklemme 194E-E32-PE | Ground clamp 194E-E32-PE |
| 41 | AE61-251.2 | Afbryder 194E-E32-1753 | Switch 194E-E32-1753 |
| 42 | AE61-251.3 | Klemmeafdækning 194E-25-C4 | Cover 194E-25-C4 |
| 43 | AE61-251 | Afbryder greb | Switch handle |
| 44 | CE61-71.2 | Afstivning bøjlestyreplade | Support for guide plate |

Fra maskinnummer

From machine number

Ab Maschinenummer

60005969



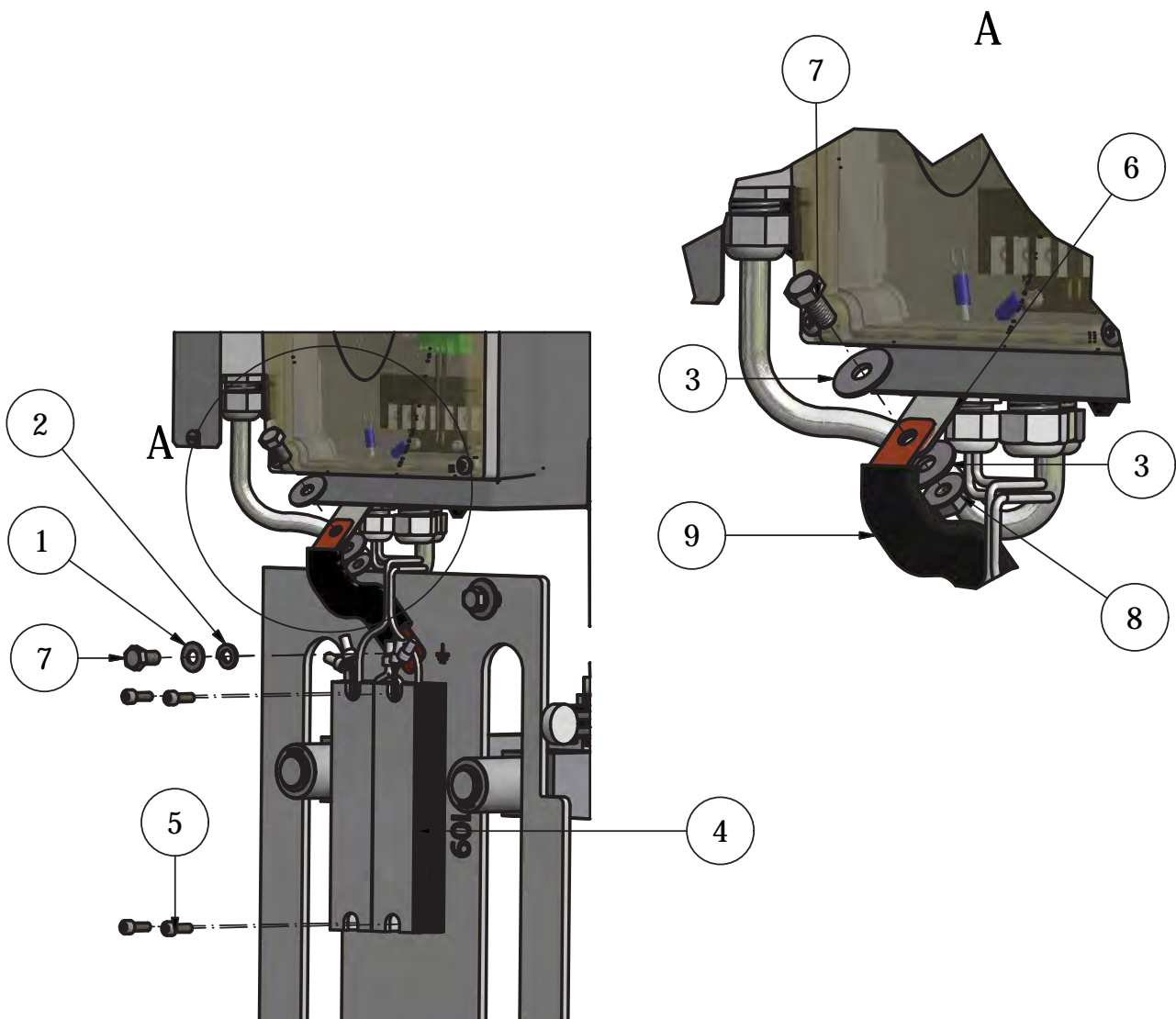
Fra maskinnummer

From machine number

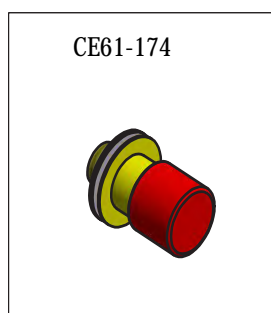
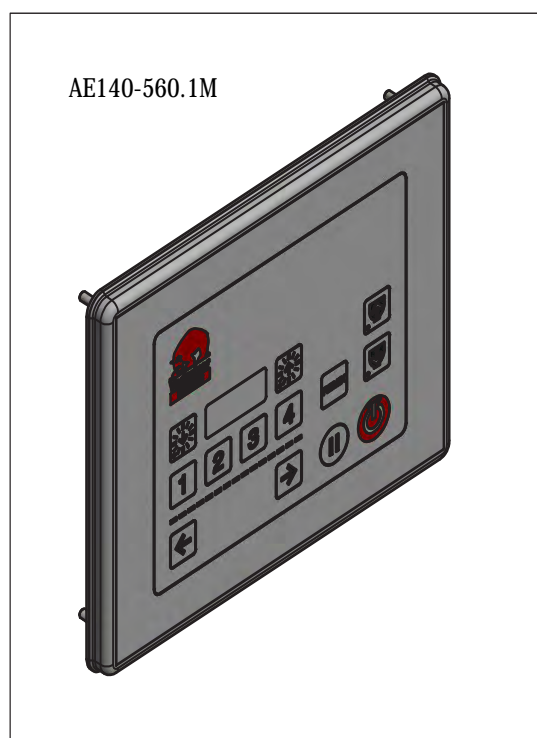
Ab Maschinenummer

60005820

| ITEM | Part number | Navn | Name |
|------|-------------|--|---|
| 1 | STA6020 | Skive $\varnothing 8,4/\varnothing 18 \times 1,25$ | Flatwasher $\varnothing 8,4/\varnothing 18 \times 1,25$ |
| 2 | STA6056 | Fjederskive M8 | Helical springlock washer M8 |
| 3 | STA6028 | Skive $\varnothing 8,4/\varnothing 25 \times 2$ | Flatwasher $\varnothing 8,4/\varnothing 25 \times 2$ |
| 4 | CE61-175M | Bremsemodstand 3 kW | Breaking resistor 3Kw |
| 5 | STA5712 | Cylinder skrue M5x16 | Socket head screw M5x16 |
| 6 | CE61-602 | Frekvensomformer beslag | Frequency conterter bracket |
| 7 | STA5451 | Sekskantskrue M8x16 | Hex cap screw M8x16 |
| 8 | STA5895 | Flangemøtrik M8 FZB | Hex flange nut M8 |
| 9 | STA3170 | CU Flex Skinne FB25160 | CU Flex bar FB25160 |



| ITEM | Part number | Navn | Name | Sælges som / Sold as |
|------|--------------|-----------------|-------------------------|----------------------|
| 1 | AE140-560.1M | Frontpanel | Front panel | |
| 2 | CE61-174 | Nødstop komplet | Emergency stop complete | |



Til maskinnummer: To machine number: bis zur Maschinenummer:
60005819

| ITEM | Part number | Navn | Name | Sælges som / Sold as |
|------|--------------|-------------------------------------|----------------------------------|----------------------|
| 1 | AR140-418 | Transparent låg | Transparent lid | |
| 2 | AE140-418 | Bund EI-box 278x188x130mm | Bottom EI-box | |
| 3 | STA3002 | PG 13.5 forskruring | PG 13.5 Cable inlet | |
| 4 | STA3014 | PG 13.5 møtrik | PG 13.5 nut | |
| 5 | AE140-415 | DIN skinne | DIN Rail | |
| 6 | AE140-420 | Sikkerhedsrelæ | Safty relay | |
| 7 | STA5897 | Flange møtrik M5 | Flange Nut M5 | |
| 8 | CE61-194.4M | Elkassekabel frekvensomformer | Elbox cable frequency converter | |
| 9 | AE140-194.5M | Elkasse kabel aktuator | Elbox cable actuator | |
| 10 | STA5720 | Cylinder skrue M5x8 | Socket head screw M5x8 | |
| 11 | AE140-420.3 | Solidstate relæ | Solidstate relae | AE140-420.3Z |
| 12 | AE140-541 | Beslag for Molexstik | Bracket Molex plugs | |
| 13 | STA6078 | 6kt. afstandsstag NV8x8-M5 | Hexa distancepiece NV8x8-M5 | |
| 14 | CE61-414 | Strømforsyning | Power supply | |
| 15 | STA5727 | Cylinder skrue halvrundt hoved M5x6 | Socket head cap screw M5x6 | |
| 16 | AE140-418.2 | Monteringsskinne for strømforsyning | Bracket powersupply | |
| 17 | CE61-420.4 | Fasefølgerrelæ | Phase sequense relae | |
| 18 | RN20-245.21 | Højspændings logo | High voltage logo | |
| 19 | AE140-420.4 | Overstrømsrelæ1,6-2,4A ZB32-2,4 | Overload relay 1,6-2,4A ZB32-2,4 | AE140-420.4Z |
| 20 | AE140-420.5 | Sokkel overstrømsrelæ ZB32-XEZ | Socket overload Relay ZB32-XEZ | AE140-420.4Z |
| 21 | STA6653 | 6kt. afstandsstag NV8x60-M5 | Hexa distancepiece NV8x16-M5 | |
| 22 | STA6084 | Sikringskive ø5,5/ø10x1 | Secure disc ø5,5/ø10x1 | |
| 23 | AR30-457 | Klemrække | Screw terminal board | |

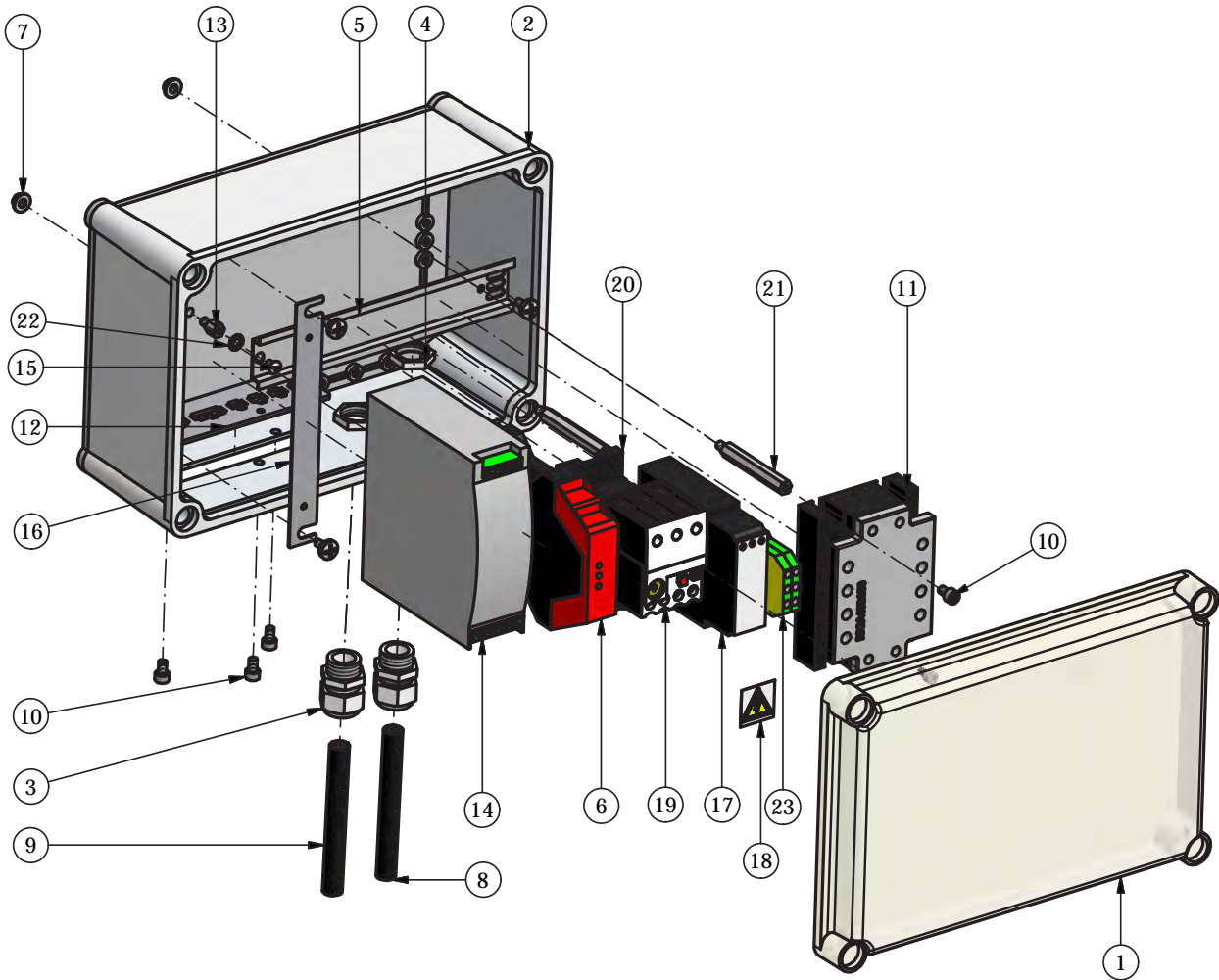
Ikke viste ledninger i elkasse / Not shown cables in elbox

| Part number | Navn | Name |
|---------------|-----------------------------------|----------------------------------|
| AE140-194.6M | Ledning sort til elkasse monteret | Cable black elbox mounted |
| AE140-194.7M | Ledning jord til elkasse | Earth cable for elbox |
| CE61-194.8M | Grøn/sort ledning til elkasse VL4 | Green/black cable for elbox VL4 |
| CE61-194.9M | Gul/sort ledning til elkasse VL4 | Yellow/black cable for elbox VL4 |
| R20-196.10 | Ledning 0,75 L = 65mm Sort | Cable 0,75 L = 65mm black |
| AE140-194.11M | Farvet elkasse kabler samlet | Coloured elbox cables complete |

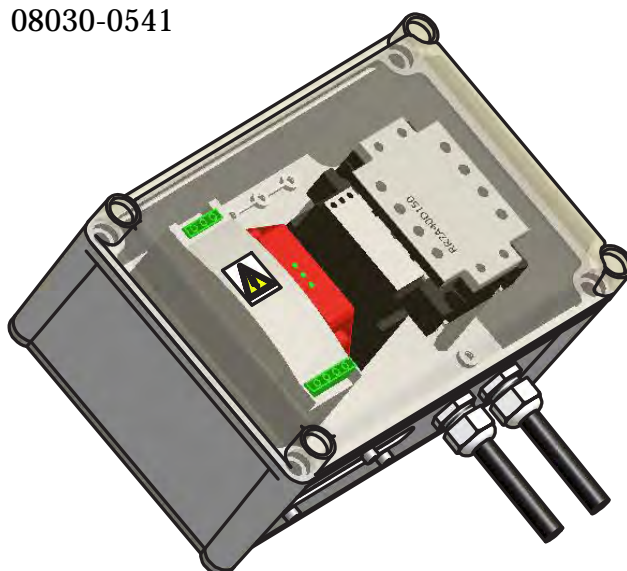
Til maskinnummer:

To machine number:

bis zur Maschinenummer:

60005819

08030-0541



Fra maskinnummer

From machine number

Ab Maschinenummer

60005820

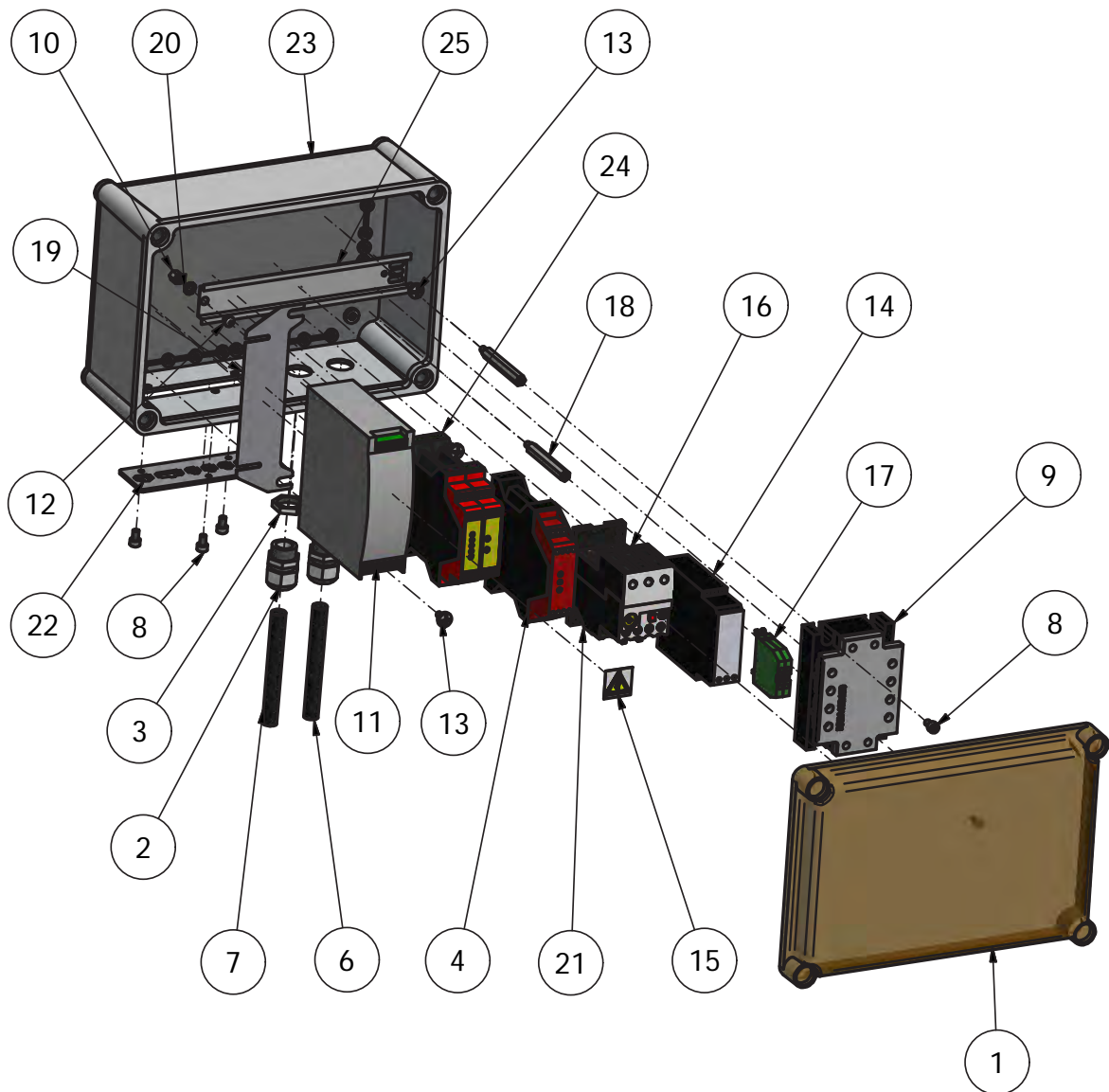
| ITEM | Voltage | Part number | Name | Name UK |
|------|--|--------------|--|---|
| 1 | All | AR140-418 | Transparent låg | Transparent lid |
| 2 | All | STA3002 | PG 13.5 forskrning | PG 13.5 Cable inlet |
| 3 | All | STA3014 | PG 13.5 møtrik | PG 13.5 nut |
| 4 | All | AE140-420 | Sikkerhedsrelæ | Safty relay |
| 5 | All | STA5897 | Flange møtrik M5 | Flange Nut M5 |
| 6 | All | CE61-194.4M | Elkasksekabel frekvensomformer | Elbox cable frequency converter |
| 7 | All | AE140-194.5M | Elkasse kabel aktuator | Elbox cable actuator |
| 8 | All | STA5720 | Cylinder skrue M5x8 | Socket head screw M5x8 |
| 9 | 208V | AE140-420.3 | Solidstate relæ | Solidstate relae |
| | 220V + 230V + 240V + 380V + 400V + 415V | | | |
| | 440V + 460V + 480V | | | |
| 10 | All | STA6078 | 6kt. afstandstag NV8x8-M5 | Hexa distancepiece NV8x8-M5 |
| 11 | All | CE61-414 | Strømforsyning | Power supply |
| 12 | All | STA5727 | Cylinder skrue halvrundt hoved M5x6 | Socket head cap screw M5x6 |
| 13 | All | Fibox 6mmx10 | Selvskærende skrue M6x10mm | Self tapping screw M6x10mm |
| 14 | All | CE61-420.4 | Fasefølgerelæ | Phase sequense relae |
| 15 | All | RN20-245.21 | Højspændings logo | High voltage logo |
| 16 | All | AE140-420.5 | Sokkel overstrømsrelæ ZB32-XEZ | Socket overload Relay ZB32-XEZ |
| 17 | All | AR30-457 | Jordklemme M4/6P grøn/gul | Screw terminal board green/yellow M4/6P |
| 18 | All | STA6653 | 6kt. afstandstag NV8x60-M5 | Hexa distancepiece NV8x16-M5 |
| 19 | All | CE61-418 | Monteringsskinne for strømforsyning | Bracket powersupply |
| 20 | All | STA6084 | Sikringssskive ø5,5/ø10x1 | Secure disc ø5,5/ø10x1 |
| 21 | 208V | CE101-420.4 | Overstrømsrelæ 2,4-4A ZB32-4 | Overload relay 2,4-4A ZB32-4 |
| | 220V + 230V + 240V + 380V + 400V + 415V | CE61-420.5 | Overstrømsrelæ1,0-1,6A ZB32-1,6 | Overload relay 1,0-1,6A ZB32-1,6 |
| | 440V + 460V + 480V | | | |
| 22 | All | AE140-541.1 | Beslag for Molexstik | Bracket Molex plugs |
| 23 | All | AE140-417 | Bund EI-box (bremsemodstand) | Bottom EI-box (Break Resistor) |
| 24 | All | AE140-420.2 | Sikkerheds relæ SAFE TU | Safety relay SAFE TU |
| 25 | All | AE140-415 | DIN skinne | DIN Rail |

| | | | |
|---|-------------------|--|---|
| 208V | 08030-0553 | Elkasse VL4 60L ERGO med bremsemodstand | Elbox VL4 60L ERGO with break resistor |
| 220 + 230 + 240 + 380 + 400 + 415V | 08030-0547 | | |
| 440 + 460 + 480V | 08030-0550 | | |

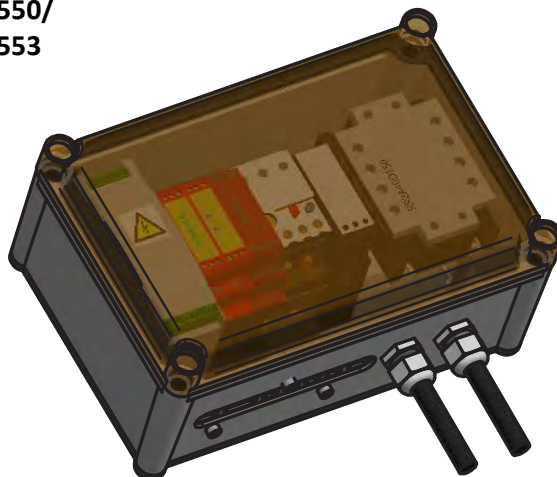
Fra maskinnummer

From machine number

Ab Maschinenummer

60005820

08030-0547/
08030-0550/
08030-0553



FREKVENSSOMFORMER FREQUENCY CONVERTER FREQUENZUMRICHTER

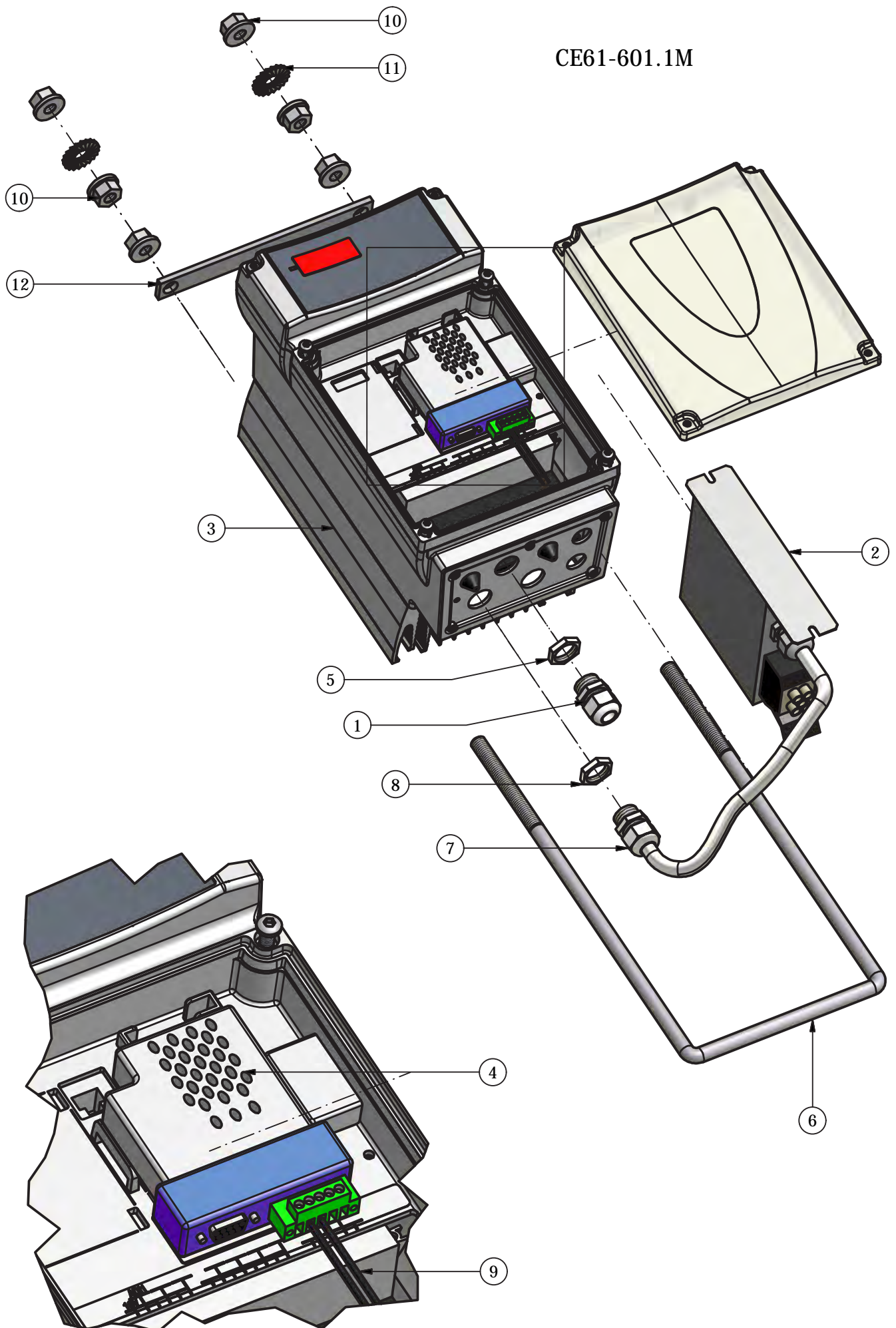
| ITEM | Part number | Navn | Name | Sælges som / Sold as |
|------|-------------|---|-------------------------------------|-------------------------|
| 1 | STA3002 | PG 13.5 forskruning | PG 13.5 Cable inlet | |
| 2 | AE140-601.1 | Filter til frekvensomformer | Filter for frequency converter | |
| 3 | CE61-601 | Frekvensomformer 3KW | Frequency converter 3KW | CE61-601.1M |
| 4 | AE140-601.5 | PX-Modbus til frekvensomformer | PX-Modbus to frequency converter | |
| 5 | STA3014 | PG 13.5 møtrik | PG 13.5 nut | |
| 6 | CE101-601.3 | Bøjle for frekvensomformer | Pin converter bracket | |
| 7 | STA3109 | PG13.5 Kabelforskruning EMC Messing | PG 13,5 EMC Cable inlet Brass | |
| 8 | STA3110 | PG 13.5 møtrik EMC messing | PG 13.5 EMC Nut Brass | |
| 9 | R20-196.10 | Ledning sort 65mm | Cable black 65mm | |
| 10 | STA5802 | Møtrik M12 | Hexagon nut M12 | |
| 11 | STA6087 | StjerneSkive dobbeltfortanding M12 FZB | Serrated lock washers double M12 | |
| 12 | CE101-601.4 | Beslag frekvensomformer | Bracket Converter | |

FREKVENSSOMFORMER

FREQUENCY CONVERTER

FREQUENZUMRICHTER

CE61-601.1M



KABLER

CABLES

KABEL

Til maskinnummer

To machine number

Bis zur Maschinenummer

60005548

| Part number | Navn | Name | Sælges som/ Sold as |
|---------------------|--|---|------------------------|
| CE61-194.1M | Bykabel | Main Cable | |
| AE140-194.1M | Løftemotor kabel | Aktuator cable | |
| AE140-194.2M | Skærmet motor kabel 4x2,5mm ² | Shielded motor Cable 4x2,5mm ² | |
| AE140-194.3M | PTO ledning | PTO Cable | |
| CE61-194.4M | Elkasse kabel frekvensomformer | Elbox Cable frequency converter | |
| AE140-194.5M | Elkasse kabel aktuator | Elbox Cable aktuator | |
| CE61-501.5M | Kedelbøjlesensor monteret | Bowl arm sensor mounted | CE61-501.5Z |
| R20E-410.4 | Molex stik | Molex plug | |
| AE140-512M | Magnet sensorer | Magnet sensors | |
| CE61-542.5 | Hovedkredskabel, ikke bremse | Multi Cable, no brake | |
| CE61-542.6 | Hovedkredskabel, bremse | Multi Cable, brake | |
| AE140-601.8 | Ferrit kerne | ferrite clamp | |

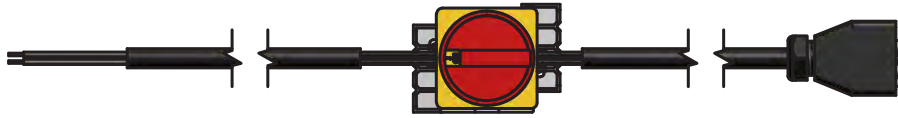
| | | |
|--------------------|--|---|
| AE140-601.8 | Monteres på CE61-542.5/ CE61-542.6 | Mounted on CE61-542.5/ CE61-542.6 |
| R20E-410.4 | Monteres på CE61-501.5M | Mounted on CE61-501.5M |

Tilslutning af kabler ender / Connections of Cable ends

| | | | | |
|---------------------------|-------------------|--|---------------------|--------------|
| | City | CE61-194.1M | EMC filter | AE140-601.1 |
| CE61-86 | Aktuator | AE140-194.1M | Elbox Cable | AE140-194.5M |
| CE61-85 | Motor | AE140-194.2M | Frequency converter | CE61-601.1M |
| CE61-542.5 CE61-542.6 | Multi Cable | AE140-194.3M | Motor | CE61-85 |
| 08030-0541 | Elbox | CE61-194.4M | Frequency converter | CE61-601.1M |
| 08030-0541 | Elbox | AE140-194.5M | Aktuator Cable | AE140-194.1M |
| ACE61-542.5 CE61-542.6 | Multi Cable | AE140-501.5M | Bowl arm | AE61-23 |
| 08030-0541 | Elbox | AE140-512M | Machine Frame | CE61-22 |
| | See other drawing | CE61-542.5 CE61-542.6 | See other drawing | |

Til maskinnummer To machine number Bis zur Maschinenummer
60005548

CE61-194.1M



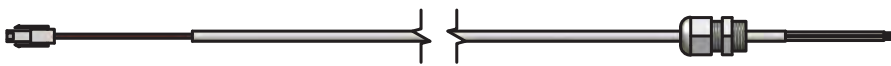
AE140-194.1M



AE140-194.2M



AE140-194.3M



CE61-194.4M



AE140-194.5M



R20E-410.4

CE61-501.5M



AE140-512M



CE61-542.5/CE61-542.6



AE140-601.8



KABLER

CABLES

KABEL

Fra maskinnummer

From machine number

Ab Maschinenummer

60005549

| Part number | Navn | Name | Sælges som/ Sold as |
|--------------|--------------------------------|---------------------------------|------------------------|
| CE61-194.1M | Bykabel | Main Cable | |
| AE140-194.1M | Løftemotor kabel | Aktuator cable | |
| AE140-194.2M | Skærmet motor kabel 4x2,5mm2 | Shielded motor Cable 4x2,5mm2 | |
| AE140-194.3M | PTO ledning | PTO Cable | |
| CE61-194.4M | Elkasse kabel frekvensomformer | Elbox Cable frequency converter | |
| AE140-194.5M | Elkasse kabel aktuator | Elbox Cable aktuator | |
| CE61-501.5M | Kedelbøjlesensor monteret | Bowl arm sensor mounted | CE61-501.7Z |
| R20E-410.4 | Molex stik | Molex plug | |
| AE140-512M | Magnet sensorer | Magnet sensors | |
| CE61-542.5 | Hovedkredskabel, ikke bremse | Multi Cable, no brake | |
| CE61-542.6 | Hovedkredskabel, bremse | Multi Cable, brake | |
| AE140-601.8 | Ferrit kerne | ferrite clamp | |

| | | |
|--------------------|--|---|
| AE140-601.8 | Monteres på CE61-542.5/ CE61-542.6 | Mounted on CE61-542.5/ CE61-542.6 |
| R20E-410.4 | Monteres på CE61-501.5M | Mounted on CE61-501.5M |

Tilslutning af kabler ender / Connections of Cable ends

| | City | | | |
|---------------------------|-------------------|-----------------------------------|---------------------|--------------|
| | | CE61-194.1M | EMC filter | AE140-601.1 |
| CE61-86 | Aktuator | AE140-194.1M | Elbox Cable | AE140-194.5M |
| CE61-85 | Motor | AE140-194.2M | Frequency converter | CE61-601.1M |
| CE61-542.5/ CE61-542.6 | Multi Cable | AE140-194.3M | Motor | CE61-85 |
| 08030-0541 | Elbox | CE61-194.4M | Frequency converter | CE61-601.1M |
| 08030-0541 | Elbox | AE140-194.5M | Aktuator Cable | AE140-194.1M |
| CE61-542.5/ CE61-542.6 | Multi Cable | AE140-501.5M | Bowl arm | AE61-23 |
| 08030-0541 | Elbox | AE140-512M | Machine Frame | CE61-22 |
| | See other drawing | CE61-542.5/ CE61-542.6 | See other drawing | |

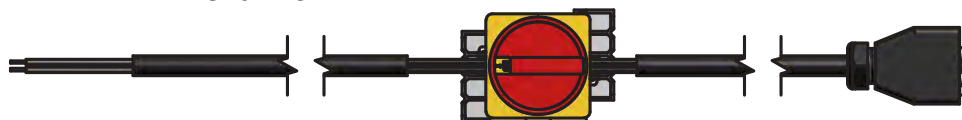
Fra maskinnummer

From machine number

Ab Maschinenummer

60005549

CE61-194.1M



AE140-194.1M



AE140-194.2M



AE140-194.3M



CE61-194.4M



AE140-194.5M

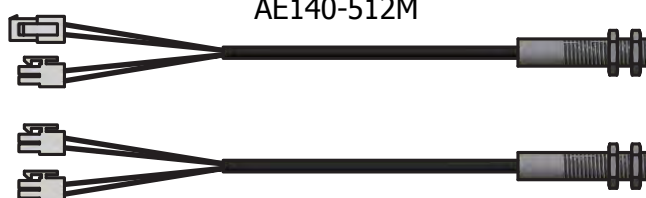


R20E-410.4

CE61-501.7M



AE140-512M



CE61-542.5/CE61-542.6



AE140-601.8



**KEDLER OG
RØREVÆRKTØJ**
**BOWLS AND
MIXING TOOLS**
**KESSEL UND
RÜHRWERKZEUGE**

| Fig no. | Order no. | Beskrivelse | Description | Beschreibung |
|---------|-------------|----------------------------------|----------------------------------|---------------------------------------|
| 1. | R60-75M | 60L kedel rustfri | 60L bowl stainless steel | 60L kessel rostfr. stahl |
| 1A. | R60-75AM | 60/30L kedel rustfri | 60/30L bowl stainless steel | 60/30L kessel rostfr. stahl |
| 2. | R60-27AM | 60/30L spartel | 60/30L flat beater | 60/30L rührer |
| 3. | R60-27.2M | 60L spartel, rustfri | 60L flat beater, stainless steel | 60L rührer, rostfr. stahl |
| 3A. | R60-27A2M | 60/30L spartel, rustfri | 60/30L flat beater, stainless | 60/30L rührer, rostfr. stahl |
| 4. | STA6263 | cyl. stift ø14x48 | rollpin ø14x48 | Zylinderstift ø14x48 |
| 5. | R60-78M | 60L krog, rustfri | 60L hook, stainless steel | 60L kneter, rostfr. stahl |
| 5A. | R60-78AM | 60/30L krog, rustfri | 60/30L hook, stainless steel | 60/30L kneter, rostfr. stahl |
| 6. | R60-79 | Værktøjstap for krog | tool pin for hook | Werkzeugstift für Kneter |
| 7. | R60-28M | 60L ris | 60L whip | 60L besen |
| 7A. | R60-28AM | 60/30L ris | 60/30L whip | 60/30L besen |
| 8. | 44R60 | 60L ris med forstærkning | 60L whip with reinforcement | 60L besen mit verstaerkung |
| 9. | R60-77M | Ristap komplet 60L | shaft for whip compl. 60L | Besenwelle kompl. 60L |
| 9A. | R60-77AM | Ristap komplet 60/30L | shaft for whip compl. 60/30L | Besenwelle kompl. 60/30L |
| 10. | 14R60 | 60L røreris, rustfri | 60L wing whip, stainless steel | 60L rührbesen, (fluegelbesen) |
| 10A. | 14R60A | 60/30L Røreris, rustfri | 60/30L wing whip, stainless st | 60/30L Rührbesen, (Fluegelbesen) |
| 11. | 39R60 | 60L pulverblander | 60L powder mixer | 60L Pulver-Mischer |
| 12. | 48R60Z | ophæng for røreværktøj | rack for mixing tools | leiste fuer rührwerkzeuge |
| 13. | 22R60 | Kedelvogn 60L kompl. | Bowltruck 60L kompl. | Kesselwagen 60L Kompl. |
| 13A. | 22R60A | Kedelvogn 60/30 kompl. | Bowltruck 60/30 kompl. | Kesselwagen 60/30 kompl. |
| 14. | 22R277 | Håndtag for kedelvogn 60L og 30L | Lever for bowl truck 60L and 30L | Handgriff für Kesselwagen 60L und 30L |
| 14A. | 22R277 | Håndtag for kedelvogn 60L og 30L | Lever for bowl truck 60L and 30L | Handgriff für Kesselwagen 60L und 30L |
| 15. | STA6509 | Dækprop | Plug button | Deckpropfen |
| 16. | STA5675 | Stopskrue M6x8 | Screw M6x8 | Schraube M6x8 |
| 17. | 22R30-41 | Kedelvogn | Bowltruck | Kesselwagen |
| 18. | 22R30-520 | Hjul til kedelvogn | weel for bowltruck | Rad für Kesselwagen |
| 19. | 22R140.4 | Mellemstykke 140mm 30L | distance piece 140mm 30L | Zwischenstück 140mm 30L |
| 20. | STA5608 | gevindtap M10x35 | screw M10x35 | Schraube M10x35 |
| 21. | STA5642 | Cylindrisk skrue M10x25 | Screw M10x25 | Schreube M10x25 |
| 22. | 42R60P | 60L skraber komplet, nylon | 60L scraper compl., nylon | 60L Abstreifer kompl., Nylon |
| 22A. | 42R60PT | 60L skraber komplet, teflon | 60L scraper compl., teflon | 60L Abstreifer kompl., Teflon |
| 22B. | 42R60AP | 60/30L skraber komplet, nylon | 60/30L scraper compl., nylon | 60/30L Abstreifer kompl., Nylon |
| 22C. | 42R60APT | 60/30L skraber komplet, teflon | 60/30L scraper compl., teflon | 60/30L Abstreifer kompl., Teflon |
| 23. | 42R60-202 | 60L skraber, nylon | 60L scraper, nylon | 60L Abstreifer, Nylon |
| 23A. | 42R60-202T | 60L skraber, teflon | 60L scraper, teflon | 60L Abstreifer, Teflon |
| 23B. | 42R60A-202 | 60/30L skraber, nylon | 60/30L scraper, nylon | 60/30L Abstreifer, Nylon |
| 23C. | 42R60A-202T | 60/30L skraber, teflon | 60/30L scraper, teflon | 60/30L Abstreifer, Teflon |
| 24. | 42R40-101M | holder for skraber | holder for scraper | Fassung für Abstreifer |
| 24A. | 42R60-204 | 60L nylonkinne | 60L nylonblade | 60L Nylonschiene |
| 24B. | 42R60-204T | 60L teflonskinne | 60L teflonblade | 60L Teflonschiene |
| 24C. | 42R60A-204 | 60/30L nylonkinne | 60/30L nylonblade | 60/30L Nylonschiene |
| 25. | 42R60A-204T | 60/30L teflonskinne | 60/30L teflonblade | 60/30L Teflonschiene |
| 26. | STA6552 | Cyl. skrue M10x180 | screw M10x180 | Schraube M10x180 |
| 27. | STA6029 | Skive M10 | washer M10 | Scheibe M10 |
| 28. | STA5085 | Maskinskrue M6x16 rustfri | screw M6x16 ss | Schraube M6x16 Rf |
| 29. | STA6275 | cyl. stift ø10x36 | rollpin ø10x36 | Zylinderstift ø10x36 |

KEDLER OG
RØREVÆRKTØJ

BOWLS AND
MIXING TOOLS

KESSEL UND
RÜHRWERKZEUGE

