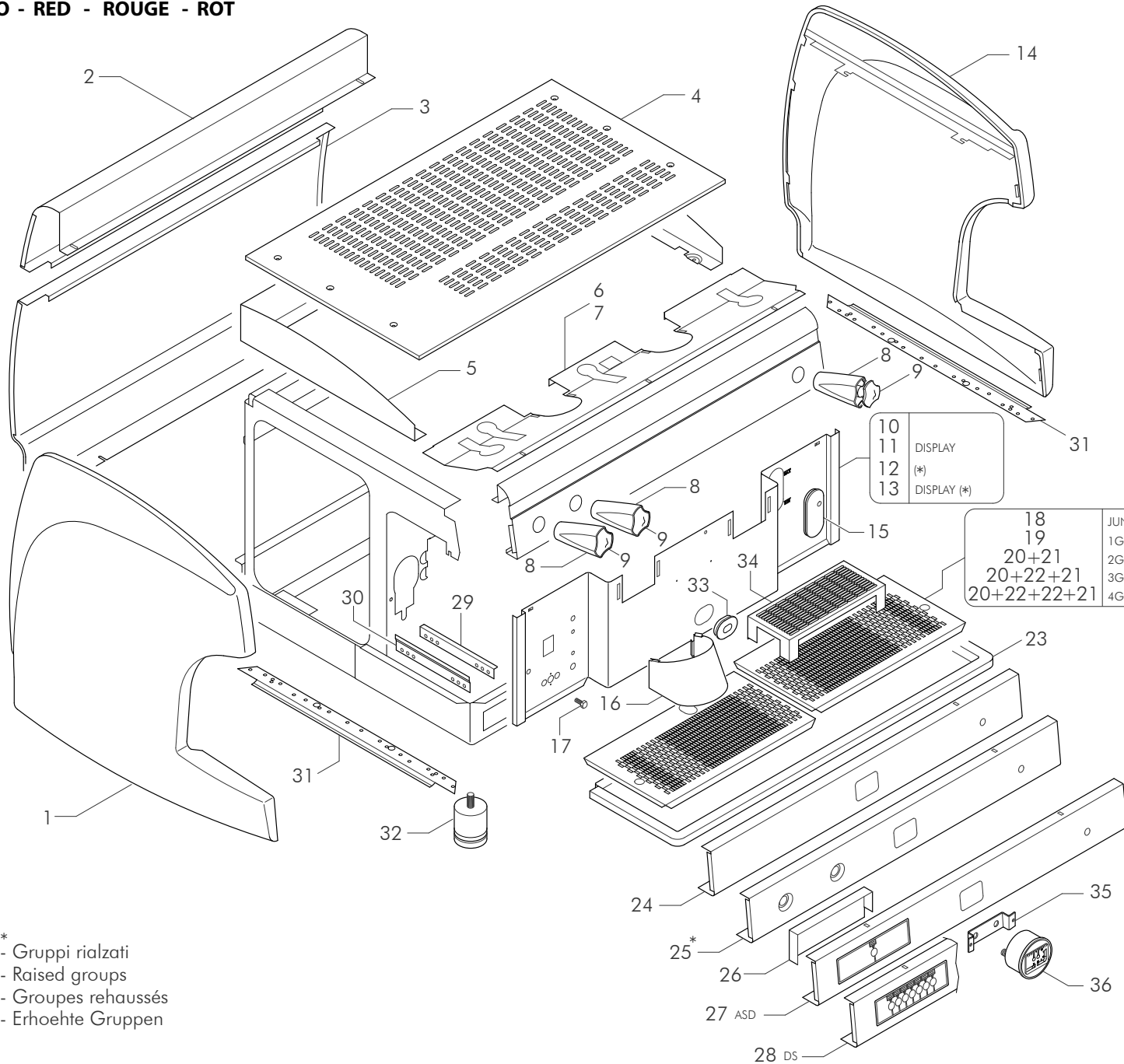


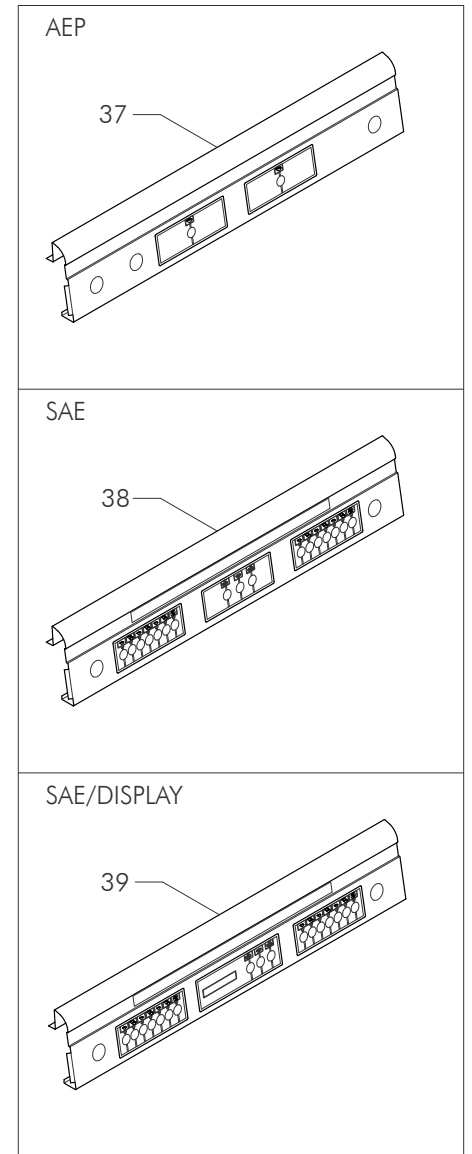
Code	Description	Page	Rev.	Date
	Carrozzeria - Body parts - Carrosserie - Karosserie			
AICT-01	Rosso - Red - Rouge - Rot	2	00	10/2014
AICT-02	Nero - Black - Noir - Schwarz	6	00	10/2014
AICT-03	Inox - S.Steel - Inox - Stahl	10	00	10/2014
	Pulsantiera - Push buttons - Claviers - Bedienblenden			
AICT-11	4 Dosi - 4 Doses - 4 Doses - 4 Dosen	14	00	10/2014
AICT-12	6 Dosi - 6 Doses - 6 Doses - 6 Dosen	16	00	10/2014
AICT-13	ASD + DS	18	00	10/2014
	Lancia - Tube - Tuyau - Rohr			
AICT-21	Vapore - Steam - Vapeur - Dampf	20	01	04/2015
AICT-22	Acqua - Water - Eau - Wasser	22	01	07/2015
AICT-23	Autosteamer	24	01	07/2015
AICT-31	Gruppo - Group - Groupe - Gruppe	26	01	07/2015
	Caldaia - Boiler - Chaudiere - Kessel			
AICT-41	1GR	28	01	07/2015
AICT-42	Compatta	30	01	07/2015
AICT-43	2GR	32	01	07/2015
AICT-44	3GR	34	01	07/2015
AICT-45	4GR	36	01	07/2015
	Impianti idraulici - Hydraulic circuits - Circuits hydrauliques - Wasser anlage			
AICT-51	AEP 1GR	38	01	07/2015
AICT-52	AEP COMPATTA	41	01	07/2015
AICT-53	AEP 2GR	44	01	07/2015
AICT-54	AEP 3GR	47	01	07/2015
AICT-55	AEP 4GR	50	01	07/2015
AICT-56	SAE 1GR	53	01	07/2015
AICT-57	SAE COMPATTA	56	01	07/2015
AICT-58	SAE 2GR	59	01	07/2015
AICT-59	SAE 3GR	62	01	07/2015
AICT-60	SAE 4GR	65	01	07/2015
	Impianti elettrici - Electrical systems - Circuits electriques - Strom anlage			
AICT-61	AEP	68	01	07/2015
AICT-62	SAE - DISPLAY	70	01	07/2015
AICT-63	Scald tazze - Cup heating - Chauffe tasses - Tassenwarmer	72	00	10/2014
AICT-71	Impianto Gas - Gas system - Installation Gaz - Gasanlage	74	00	10/2014
	Motopompa - Motor pump - Motopompe - Motor pump			
AICT-81	Incorporata - Built-in - Incorporé - Eingebaute	76	01	07/2015
AICT-82	Esterna - External - Extérieur - Aussenansicht	78	00	10/2014



Think espresso.



* - Gruppi rialzati
- Raised groups
- Groupes rehaussés
- Erhoehnte Gruppen



ROSSO - RED - ROUGE - ROT

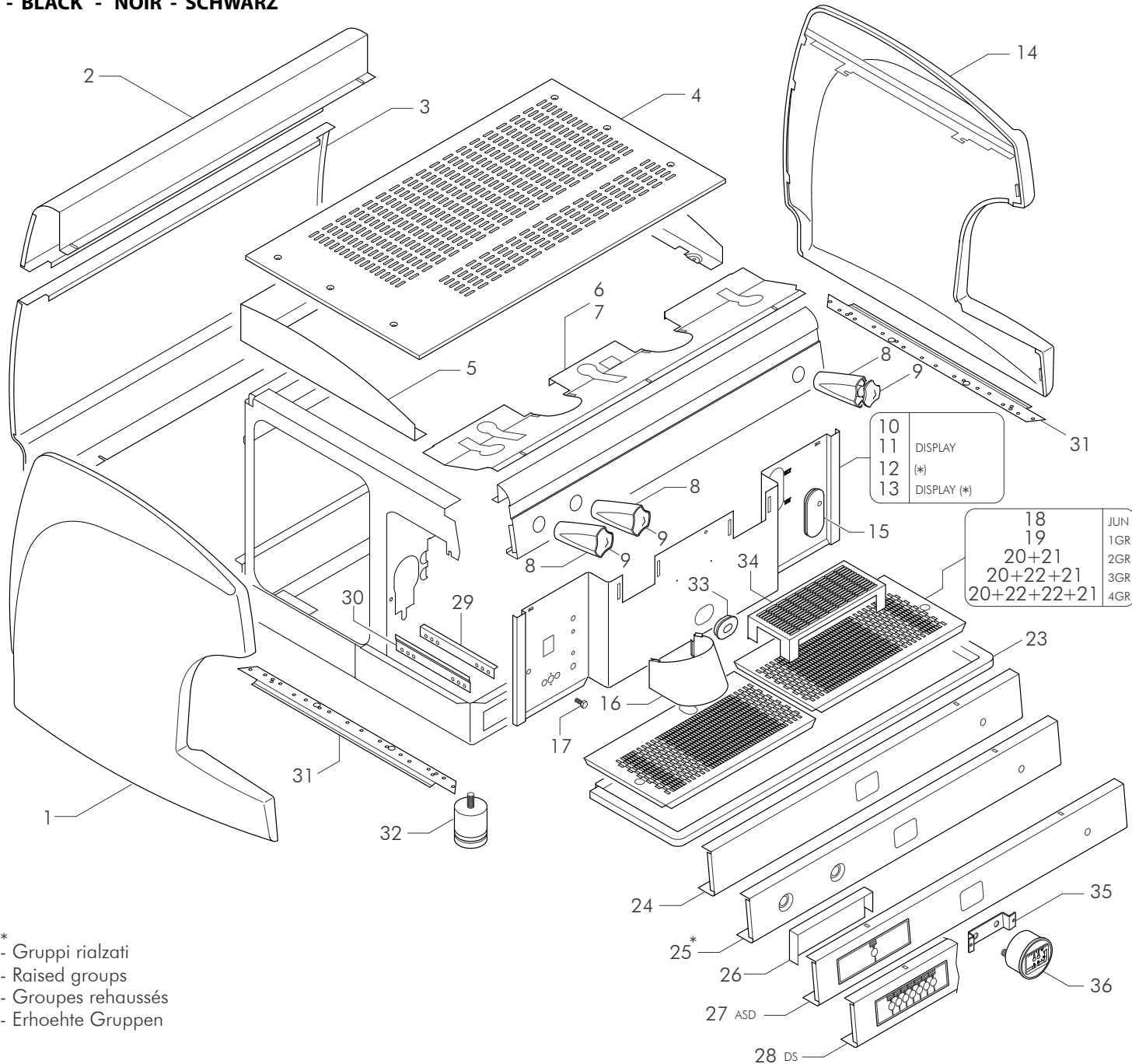
Pos	Code	Denominazione - IT -	Denomination - EN -	Denomination - FR -	Denomination - DE -
1	73130305	FIANCO SINISTRO ROSSO	LEFT SIDE PANEL RED	COTE GAUCHE ROUGE	LINKE SEITE ROT
2	75288317	PANNELLO SUP.1GR ROSSO RAL3004+BRILL	TOP PANEL 1GR RED	PANNEAU SUP.1GR ROUGE	OBERTAFEL 1GR ROT
2	75288319	PANNELLO SUP.2GR ROSSO RAL3004+BRILL	TOP PANEL 2GR RED	PANNEAU SUP.2GR ROUGE	OBERTAFEL 2GR ROT
2	75288321	PANNELLO SUP.3GR ROSSO RAL3004+BRILL	TOP PANEL 3GR RED	PANNEAU SUP.3GR ROUGE	OBERTAFEL 3GR ROT
2	75288323	PANNELLO SUP.4GR ROSSO RAL3004+BRILL	TOP PANEL 4GR RED	PANNEAU SUP.4GR ROUGE	OBERTAFEL 4GR ROT
2	75288337	PANNELLO SUP.JUN ROSSO RAL3004+BRILL	TOP PANEL JUN RED	PANNEAU SUP.JUN ROUGE	OBERTAFEL JUN ROT
3	75288316	PANNELLO INF.1GR ROSSO RAL3004+BRILL	LOWER PANEL 1GR RED	PANNEAU INF.1GR ROUGE	UNTERTAFEL 1GR ROT
3	75288318	PANNELLO INF.2GR ROSSO RAL3004+BRILL	LOWER PANEL 2GR RED	PANNEAU INF.2GR ROUGE	UNTERTAFEL 2GR ROT
3	75288320	PANNELLO INF.3GR ROSSO RAL3004+BRILL	LOWER PANEL 3GR RED	PANNEAU INF.3GR ROUGE	UNTERTAFEL 3GR ROT
3	75288322	PANNELLO INF.4GR ROSSO RAL3004+BRILL	LOWER PANEL 4GR RED	PANNEAU INF.4GR ROUGE	UNTERTAFEL 4GR ROT
3	75288336	PANNELLO INF.JUN ROSSO RAL3004+BRILL	LOWER PANEL JUN RED	PANNEAU INF.JUN ROUGE	UNTERTAFEL JUN ROT
4	76100127	GRIGLIA SUPERIORE 1GR INOX	TOP GRATE 1GR S.STEEL	GRILLE SUP. 1GR INOX	OBERGITTER 1GR STAHL
4	76100128	GRIGLIA SUPERIORE 2GR INOX	TOP GRATE 2GR S.STEEL	GRILLE SUP. 2GR INOX	OBERGITTER 2GR STAHL
4	76100129	GRIGLIA SUPERIORE 3GR INOX	TOP GRATE 3GR S.STEEL	GRILLE SUP. 3GR INOX	OBERGITTER 3GR STAHL
4	76100130	GRIGLIA SUPERIORE 4GR INOX	TOP GRATE 4GR S.STEEL	GRILLE SUP. 4GR INOX	OBERGITTER 4GR STAHL
4	76100131	GRIGLIA SUPERIORE JUN INOX	TOP GRATE JUN S.STEEL	GRILLE SUP. JUN INOX	OBERGITTER JUN STAHL
5	77197521	PROFILO SUP.1GR INOX	S.STEEL TOP SECTION 1GR	PROFILS SUP. INOX 1GR	STAHL-OBERUMRANDUNG 1GR
5	77197522	PROFILO SUP.2GR INOX	S.STEEL TOP SECTION 2GR	PROFILS SUP. INOX 2GR	STAHL-OBERUMRANDUNG 2GR
5	77197523	PROFILO SUP.3GR INOX	S.STEEL TOP SECTION 3GR	PROFILS SUP. INOX 3GR	STAHL-OBERUMRANDUNG 3GR
5	77197524	PROFILO SUP.4GR INOX	S.STEEL TOP SECTION 4GR	PROFILS SUP. INOX 4GR	STAHL-OBERUMRANDUNG 4GR
5	77197525	PROFILO SUP.JUN INOX	S.STEEL TOP SECTION JUN	PROFILS SUP. INOX JUN	STAHL-OBERUMRANDUNG JUN
6	77278516	COPRIMPIANTO 1GR	CABLE-COVER 1GR	COUVRE-CABLAGE 1GR	VERDRAHTUNHDECKEL 1GR
6	77278517	COPRIMPIANTO 2GR	CABLE-COVER 2GR	COUVRE-CABLAGE 2GR	VERDRAHTUNHDECKEL 2GR
6	77278518	COPRIMPIANTO 3GR	CABLE-COVER 3GR	COUVRE-CABLAGE 3GR	VERDRAHTUNHDECKEL 3GR
6	77278519	COPRIMPIANTO 4GR	CABLE-COVER 4GR	COUVRE-CABLAGE 4GR	VERDRAHTUNHDECKEL 4GR
6	77278520	COPRIMPIANTO JUN	CABLE-COVER JUN	COUVRE-CABLAGE JUN	VERDRAHTUNHDECKEL JUN
7	77278528	COPRIMPIANTO 2GR+CAPP.3S	CABLE-COVER 2GR DS	COUVRE-CABLAGE 2GR DS	VERDRAHTUNHDECKEL 2GR DS
7	77278529	COPRIMPIANTO 3GR+CAPP.3S	CABLE-COVER 3GR DS	COUVRE-CABLAGE 3GR DS	VERDRAHTUNHDECKEL 3GR DS
8	15029050	MANOPOLA	KNOB	POIGNEE	HANDGRIFF
9	15029051	TAPPO MANOPOLA	CAP KNOB	BOUCHON POIGNEE	DECKEL HANDGRIFF

ROSSO - RED - ROUGE - ROT

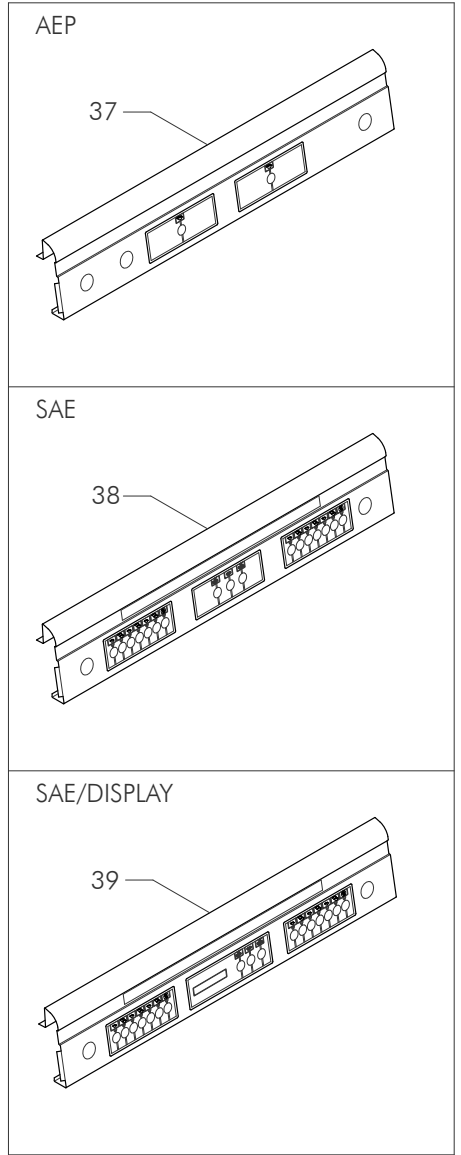
Pos	Code	Denominazione - IT -	Denomination - EN -	Denomination - FR -	Denomination - DE -
10	77044139	COPRICALDAIA ER/1 CTS INOX/LUC	S.STEEL BOILER COVER 1GR	COUVRE-CHAUDIERE INOX 1GR	KESSELDECKEL 1GR STAHL
10	77044140	COPRICALDAIA ER/2 CTS INOX/LUC	S.STEEL BOILER COVER 2GR	COUVRE-CHAUDIERE INOX 2GR	KESSELDECKEL 2GR STAHL
10	77044141	COPRICALDAIA ER/3 CTS INOX/LUC	S.STEEL BOILER COVER 3GR	COUVRE-CHAUDIERE INOX 3GR	KESSELDECKEL 3GR STAHL
10	77044142	COPRICALDAIA ER/4 CTS INOX/LUC	S.STEEL BOILER COVER 4GR	COUVRE-CHAUDIERE INOX 4GR	KESSELDECKEL 4GR STAHL
10	77044178	COPRICALDAIA ER/J CTS INOX/LUC	S.STEEL BOILER COVER JUN	COUVRE-CHAUDIERE INOX JUN	KESSELDECKEL JUN STAHL
11	77044147	COPRICALDAIA ER/1+DISPLAY CTS INOX/LUC	S.STEEL BOILER COVER 1GR+DISPLAY	COUVRE-CHAUDIERE INOX 1GR+DISPLAY	KESSELDECKEL 1GR+DISPLAY STAHL
11	77044148	COPRICALDAIA ER/2+DISPLAY CTS INOX/LUC	S.STEEL BOILER COVER 2GR+DISPLAY	COUVRE-CHAUDIERE INOX 2GR+DISPLAY	KESSELDECKEL 2GR+DISPLAY STAHL
11	77044149	COPRICALDAIA ER/3+DISPLAY CTS INOX/LUC	S.STEEL BOILER COVER 3GR+DISPLAY	COUVRE-CHAUDIERE INOX 3GR+DISPLAY	KESSELDECKEL 3GR+DISPLAY STAHL
11	77044150	COPRICALDAIA ER/4+DISPLAY CTS INOX/LUC	S.STEEL BOILER COVER 4GR+DISPLAY	COUVRE-CHAUDIERE INOX 4GR+DISPLAY	KESSELDECKEL 4GR+DISPLAY STAHL
12	77044159	COPRICALDAIA ER/1 CTS INOX/LUC GR.RI	S.STEEL BOILER COVER 1GR RAISED GROUPS	COUVRE-CHAUDIERE INOX 1GR GROUPES RE	KESSELDECKEL 1GR STAHL ERHOEHTE GRUPPEN
12	77044160	COPRICALDAIA ER/2 CTS INOX/LUC GR.RI	S.STEEL BOILER COVER 3GR RAISED GROUPS	COUVRE-CHAUDIERE INOX 2GR GROUPES RE	KESSELDECKEL 2GR STAHL ERHOEHTE GRUPPEN
12	77044161	COPRICALDAIA ER/3 CTS INOX/LUC GR.RI	S.STEEL BOILER COVER 3GR RAISED GROUPS	COUVRE-CHAUDIERE INOX 3GR GROUPES RE	KESSELDECKEL 3GR STAHL ERHOEHTE GRUPPEN
12	77044162	COPRICALDAIA ER/4 CTS INOX/LUC GR.RI	S.STEEL BOILER COVER 4GR RAISED GRUOPS	COUVRE-CHAUDIERE INOX 4GR GROUPES RE	KESSELDECKEL 4GR STAHL ERHOEHTE GRUPPEN
13	77044163	COPRICALDAIA ER/1 DISPLAY INOX/LUC GR.RI.	S.STEEL BOILER COVER 1GR DISPLAY	COUVRE-CHAUDIERE INOX 1GR DISPLAY GR.RE.	KESSELDECKEL 1GR STAHL DISPLAY ERHOEHTE
13	77044164	COPRICALDAIA ER/2 DISPLAY INOX/LUC GR.RI.	S.STEEL BOILER COVER 2GR DISPLAY	COUVRE-CHAUDIERE INOX 2GR DISPLAY GR.RE.	KESSELDECKEL 2GR STAHL DISPLAY ERHOEHTE
13	77044165	COPRICALDAIA ER/3 DISPLAY INOX/LUC GR.RI.	S.STEEL BOILER COVER 3GR DISPLAY	COUVRE-CHAUDIERE INOX 3GR DISPLAY GR.RE.	KESSELDECKEL 3GR STAHL DISPLAY ERHOEHTE
13	77044166	COPRICALDAIA ER/4 DISPLAY INOX/LUC GR.RI	S.STEEL BOILER COVER 4GR DISPLAY	COUVRE-CHAUDIERE INOX 4GR DISPLAY GR.RE.	KESSELDECKEL 4GR STAHL DISPLAY ERHOEHTE
14	73130304	FIANCO DESTRO ROSSO	RIGHT SIDE PANEL RED	COTE DROITE ROUGE	RECHTE SEITE ROT
15	21202	SEGNALIVELLO	LEVEL INDICATOR	SIGNAL NIVEAU	FARBLOSER NIVEAUANZEIGER
16	77691990	COPERTURA GRUPPO INOX	S.STEEL GROUP COVER	COUVRE-GROUPE INOX	GRUPPENDECKEL STAHL
17	23420001	VITE TE BOMBATA M6x12 OT/Ni	M6x12NICKEL-PLATED BRASS HEX.HEAD SCREW	VIS TH LAITON M6x12 NICKEL	SECHSKANTSCHRAUBE AUS MESSING M6x12
18	76152000	GRIGLIA INF.WN01 INOX LUC.316x201	LOWER GRILL 316x201 - SHINY S.STEEL	GRILLE INF.INOX 316x201	STAHL-UNTERGITTER 316x201
19	76153000	GRIGLIA INFERIORE INOX LUC.456x201	LOWER GRILL 456x201 SHINY S.STEEL	GRILLE INF.INOX 456x201	STAHL-UNTERGITTER 456x201
20	76154000	GRIGLIA INF.DESTRA INOX LUC.338.5x201	RIGHT LOWER GRILL -SHINY S.STEEL	GRILLE INF.DROIT INOX 338,5x201	STAHL-UNTER-RECHTEGITTER 338,5x201
21	76155000	GRIGLIA INF.SINISTRA INOX LUC.338.5x201	LEFT LOWER GRILL - SHINY S.STEEL	GRILLE INF.GAUCHE INOX 338,5x201	STAHL-UNTER-LINKEGITTER 338,5x201
22	76156000	GRIGLIA INFERIORE INOX LUC.	LOWER GRILL - SHINY S.STEEL	GRILLE INF.INOX	STAHL-UNTERGITTER
23	76094	BACINELLA JUN INOX LUCIDO	JUN GLOSSY STAINLESS STEEL TRAY	BASSINELLE JUN INOX BRILLANT	STAHSCHALE JUN
23	76095	BACINELLA 1GR INOX LUCIDO	1GR GLOSSY STAINLESS STEEL TRAY	BASSINELLE 1GR INOX BRILLANT	STAHSCHALE 1GR
23	76096	BACINELLA 2GR INOX LUCIDO	2GR GLOSSY STAINLESS STEEL TRAY	BASSINELLE 2GR INOX BRILLANT	STAHSCHALE 2GR
23	76097	BACINELLA 3GR INOX LUCIDO	3GR GLOSSY STAINLESS STEEL TRAY	BASSINELLE 3GR INOX BRILLANT	STAHSCHALE 3GR
23	76098	BACINELLA 4GR INOX LUCIDO	4GR GLOSSY STAINLESS STEEL TRAY	BASSINELLE 4GR INOX BRILLANT	STAHSCHALE 4GR
24	77487211	PROFILO BASAMENTO ANT.JUN ROSSO 3004+BRILL	BASE SURROUND JUN RED	PROFILS BASE JUN ROUGE	GRUNDPROFIL JUN ROT
24	77487212	PROFILO BASAMENTO ANT.1GR ROSSO 3004+BRILL	BASE SURROUND 1GR RED	PROFILS BASE 1GR ROUGE	GRUNDPROFIL 1GR ROT
24	77487213	PROFILO BASAMENTO ANT.2GR ROSSO 3004+BRILL	BASE SURROUND 2GR RED	PROFILS BASE 2GR ROUGE	GRUNDPROFIL 2GR ROT
24	77487214	PROFILO BASAMENTO ANT.3GR ROSSO 3004+BRILL	BASE SURROUND 3GR RED	PROFILS BASE 3GR ROUGE	GRUNDPROFIL 3GR ROT
24	77487215	PROFILO BASAMENTO ANT.4GR ROSSO 3004+BRILL	BASE SURROUND 4GR RED	PROFILS BASE 4GR ROUGE	GRUND PROFIL 4GR ROT
25	77487237	PROFILO BASAMENTO ANT.1GR ROSSO 3004+BRILL	BASE SURROUND 1GR RED	PROFILS BASE 1GR ROUGE	GRUNDPROFIL 1GR ROT
25	77487238	PROFILO BASAMENTO ANT.2GR ROSSO 3004+BRILL	BASE SURROUND 2GR RED	PROFILS BASE 2GR ROUGE	GRUNDPROFIL 2GR ROT
25	77487239	PROFILO BASAMENTO ANT.3GR ROSSO 3004+BRILL	BASE SURROUND 3GR RED	PROFILS BASE 3GR ROUGE	GRUNDPROFIL 3GR ROT
25	77487240	PROFILO BASAMENTO ANT.4GR ROSSO 3004+BRILL	BASE SURROUND 4GR RED	PROFILS BASE 4GR ROUGE	GRUNDPROFIL 4GR ROT

ROSSO - RED - ROUGE - ROT

Pos	Code	Denominazione - IT -	Denomination - EN -	Denomination - FR -	Denomination - DE -
26	77691959	PROTEZIONE PULSANTIERA DS	TOUCH-PAD DS PROTECTION	PROTECTION CLAVIER DS	SCHUTZ BEDIENBLENDE DS
27	83770232R	KIT BASAMENTO 1GR ASD INGLESE ROSSO 3004+B	ASSEMBLY BASE SURROUND 1GR ASD ENGLISH	ENSEMBLE PROFIL BASE 1GR ASD ANGLAIS	GRUNDPROFIL 1GR ASD ENGLISCH ROT
27	83770234R	KIT BASAMENTO 1GR ASD TEDESCO ROSSO 3004+B	ASSEMBLY BASE SURROUND 1GR ASD GERMAN	ENSEMBLE PROFIL BASE 1GR ASD ALLEMANDE	GRUNDPROFIL 1GR ASD DEUTSCH ROT
27	83770236R	KIT BASAMENTO 2GR ASD INGLESE ROSSO 3004+B	ASSEMBLY BASE SURROUND 2GR ASD ENGLISH	ENSEMBLE PROFIL BASE 2GR ASD ANGLAIS	GRUNDPROFIL 2GR ASD ENGLISCH ROT
27	83770238R	KIT BASAMENTO 2GR ASD TEDESCO ROSSO 3004+B	ASSEMBLY BASE SURROUND 2GR ASD GERMAN	ENSEMBLE PROFIL BASE 2GR ASD ALLEMANDE	GRUNDPROFIL 2GR ASD DEUTSCH ROT
27	83770240R	KIT BASAMENTO 3GR ASD INGLESE ROSSO 3004+B	ASSEMBLY BASE SURROUND 3GR ASD ENGLISH	ENSEMBLE PROFIL BASE 3GR ASD ANGLAIS	GRUNDPROFIL 3GR ASD ENGLISCH ROT
27	83770242R	KIT BASAMENTO 3GR ASD TEDESCO ROSSO 3004+B	ASSEMBLY BASE SURROUND 3GR ASD GERMAN	ENSEMBLE PROFIL BASE 3GR ASD ALLEMANDE	GRUNDPROFIL 3GR ASD DEUTSCH ROT
28	83770233R	KIT BASAMENTO 1GR DS INGLESE ROSSO 3004+BR	ASSEMBLY BASE SURROUND 1GR DS ENGLISH	ENSEMBLE PROFIL BASE 1GR DS ANGLAIS	GRUNDPROFIL 1GR DS ENGLISCH ROT
28	83770235R	KIT BASAMENTO 1GR DS TEDESCO ROSSO 3004+BR	ASSEMBLY BASE SURROUND 1GR DS GERMAN RE	ENSEMBLE PROFIL BASE 1GR DS ALLEMANDE	GRUNDPROFIL 1GR DS DEUTSCH ROT
28	83770237R	KIT BASAMENTO 2GR DS INGLESE ROSSO 3004+BR	ASSEMBLY BASE SURROUND 2GR DS ENGLISH	ENSEMBLE PROFIL BASE 2GR DS ANGLAIS	GRUNDPROFIL 2GR DS ENGLISCH ROT
28	83770239R	KIT BASAMENTO 2GR DS TEDESCO ROSSO 3004+BR	ASSEMBLY BASE SURROUND 2GR DS GERMAN RED	ENSEMBLE PROFIL BASE 2GR DS ALLEMANDE	GRUNDPROFIL 2GR DS DEUTSCH ROT
28	83770241R	KIT BASAMENTO 3GR DS INGLESE ROSSO 3004+BR	ASSEMBLY BASE SURROUND 3GR DS ENGLISH	ENSEMBLE PROFIL BASE 3GR DS ANGLAIS	GRUNDPROFIL 3GR DS ENGLISCH ROT
28	83770243R	KIT BASAMENTO 3GR DS TEDESCO ROSSO 3004+BR	ASSEMBLY BASE SURROUND 3GR DS GERMAN RED	ENSEMBLE PROFIL BASE 3GR DS ALLEMANDE	GRUNDPROFIL 3GR DS DEUTSCH ROT
29	77741	GUIDA DESTRA-SINISTRA BACINELLA	R-L BASIN GUIDE FOR FRAMES	GUIDE DX-SX CUVE x CHASSIS	FUHRUNG RECHTS-LINKS SCHALE FUR RAH
30	77742005	DISTANZIALE GUIDA BACINELLA	SPACER GLOSSY	ENTRETOISE CUVE	DISTANZSTUCK
31	77607020	SUPPORTO DESTRO-SINISTRO FIANCO	RIGHT-LEFT SUPPORT	SUPPORT DROIT-GAUCHE	RECHTS/LINKS HALTER
32	15318002	PIEDINO REGOLABILE INOX/SAT	ADJUSTABLE FOOT	PIED REGLABLE	REGELBARER FUSS
33	15373070	TAPPO ABS CROMATO FORO GAS	CHROMED CAP	BOUCHON CHROME COUVRE-TROU DU GAZ	CHROM CAP
34	76149054	GRIGLIA RIALZO TAZZE 1/2GR	CUPS-STAND FOR RAISED GROUP 1/2GR	GRILLE SUPERIEURE 1/2GR	GITTER FUER HOHE GRUPPE 1/2GR
35	78150060	SUPPORTO MANOMETRO 1>4GR	GAUGE SUPPORT 1>4GR	SUPPORT MANOMETRE 1>4GR	MANOMETERHALTER 1>4GR
36	21109	MANOMETRO QUADRO DOPPIA SCALA	SQUARE GAUGE DOUBLE L. SCALE	MANOMETRE TABLEAU DOUBLE ECHELLE L.	MANOMERTAFEL DOPPELSKAL
37	56901202	FRONTONE ASS.AEP/J ROSSO 3004+BRILL	ASSEMBLY FRONT PANEL AEP/J RED	ENSEMBLE PANNEAU FRONTAL AEP/J ROUGE	STIRNTAFEL AEP/J ROT GRUPPE
37	56901210	FRONTONE ASS.AEP/1 ROSSO 3004+BRILL	ASSEMBLY FRONT PANEL AEP/1 RED	ENSEMBLE PANNEAU FRONTAL AEP/1 ROUGE	STIRNTAFEL AEP/1 ROT GRUPPE
37	56901218	FRONTONE ASS.AEP/2 ROSSO 3004+BRILL	ASSEMBLY FRONT PANEL AEP/2 RED	ENSEMBLE PANNEAU FRONTAL AEP/2 ROUGE	STIRNTAFEL AEP/2 ROT GRUPPE
37	56901232	FRONTONE ASS.AEP/3 ROSSO 3004+BRILL	ASSEMBLY FRONT PANEL AEP/3 RED	ENSEMBLE PANNEAU FRONTAL AEP/3 ROUGE	STIRNTAFEL AEP/3 ROT GRUPPE
37	56901240	FRONTONE ASS.AEP/4 ROSSO 3004+BRILL	ASSEMBLY FRONT PANEL AEP/4 RED	ENSEMBLE PANNEAU FRONTAL AEP/4 ROUGE	STIRNTAFEL AEP/4 ROT GRUPPE
38	56901206	FRONTONE ASS.SAE/J 6T ROSSO 3004+BRILL	ASSEMBLY FRONT PANEL SAE/J 6T RED	ENSEMBLE PANNEAU FRONTAL SAE/J 6T ROUGE	STIRNTAFEL SAE/J 6T ROT GRUPPE
38	56901214	FRONTONE ASS.SAE/1 6T ROSSO 3004+BRILL	ASSEMBLY FRONT PANEL SAE/1 6T RED	ENSEMBLE PANNEAU FRONTAL SAE/1 6T ROUGE	STIRNTAFEL SAE/1 6T ROT GRUPPE
38	56901222	FRONTONE ASS.SAE/2 6T ROSSO 3004+BRILL	ASSEMBLY FRONT PANEL SAE/2 6T RED	ENSEMBLE PANNEAU FRONTAL SAE/2 6T ROUGE	STIRNTAFEL SAE/2 6T ROT GRUPPE
38	56901236	FRONTONE ASS.SAE/3 6T ROSSO 3004+BRILL	ASSEMBLY FRONT PANEL SAE/3 6T RED	ENSEMBLE PANNEAU FRONTAL SAE/3 6T ROUGE	STIRNTAFEL SAE/3 6T ROT GRUPPE
38	56901244	FRONTONE ASS.SAE/4 6T ROSSO 3004+BRILL	ASSEMBLY FRONT PANEL SAE/4 6T RED	ENSEMBLE PANNEAU FRONTAL SAE/4 6T ROUGE	STIRNTAFEL SAE/4 6T ROT GRUPPE
39	56901223	FRONTONE ASS.SAE/2+DISPLAY 6T ROSSO 3004+B	ASSEMBLY FRONT PANEL DISPLAY 2 RED	ENSEMBLE PANNEAU FRONTAL DISPLAY 2 ROUGE	STIRNTAFEL DISPLAY 2 ROT GRUPPE
39	56901237	FRONTONE ASS.SAE/3+DISPLAY 6T ROSSO 3004+B	ASSEMBLY FRONT PANEL DISPLAY 3 RED	ENSEMBLE PANNEAU FRONTAL DISPLAY 3 ROUGE	STIRNTAFEL DISPLAY 3 ROT GRUPPE
39	56901245	FRONTONE ASS.SAE/4+DISPLAY 6T ROSSO 3004+B	ASSEMBLY FRONT PANEL DISPLAY 4 RED	ENSEMBLE PANNEAU FRONTAL DISPLAY 4 ROUGE	STIRNTAFEL DISPLAY 4 ROT GRUPPE



* - Gruppi rialzati
- Raised groups
- Groupes rehaussés
- Erhoehte Gruppen



NERO - BLACK - NOIR - SCHWARZ

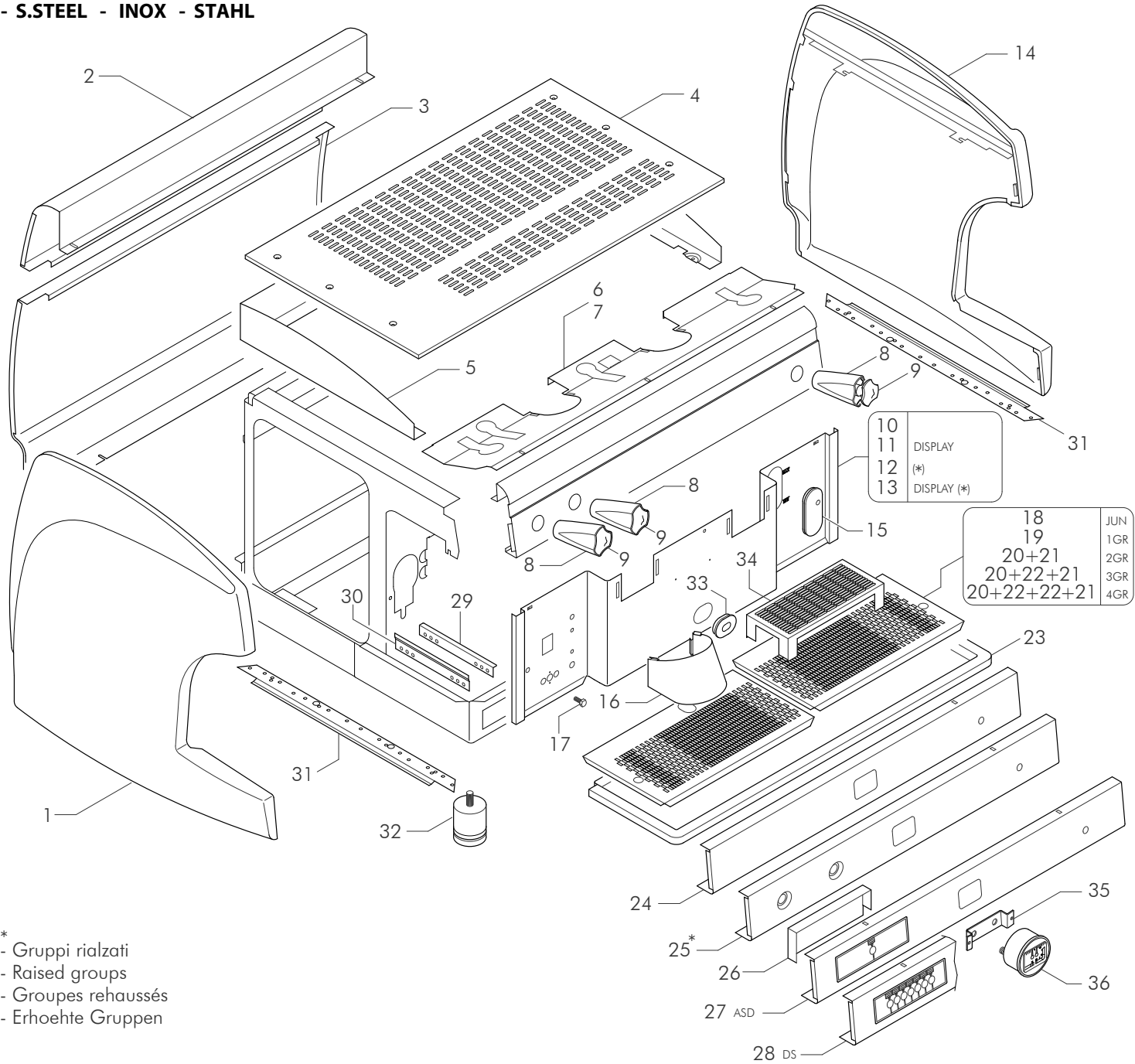
Pos	Code	Denominazione - IT -	Denomination - EN -	Denomination - FR -	Denomination - DE -
1	73130303	FIANCO SINISTRO NERO RAL9005+BRILL	LEFT SIDE PANEL BLACK	COTE GAUCHE NOIR	LINKE SEITE SCHWARZ
2	75288301	PANNELLO SUP.1GR NERO RAL9005+BRILL	TOP PANEL 1GR BLACK	PANNEAU SUP.1GR NOIR	OBERTAFEL 1GR SCHWARZ
2	75288303	PANNELLO SUP.2GR NERO RAL9005+BRILL	TOP PANEL 2GR BLACK	PANNEAU SUP.2GR NOIR	OBERTAFEL 2GR SCHWARZ
2	75288305	PANNELLO SUP.3GR NERO RAL9005+BRILL	TOP PANEL 3GR BLACK	PANNEAU INF.3GR NOIR	OBERTAFEL 3GR SCHWARZ
2	75288307	PANNELLO SUP.4GR NERO RAL9005+BRILL	TOP PANEL 4GR BLACK	PANNEAU INF.4GR NOIR	OBERTAFEL 4GR SCHWARZ
2	75288333	PANNELLO SUP.JUN NERO RAL9005+BRILL	TOP PANEL JUN BLACK	PANNEAU SUP.JUN NOIR	OBERTAFEL JUN SCHWARZ
3	75288300	PANNELLO INF.1GR NERO RAL9005+BRILL	LOWER PANEL 1GR BLACK	PANNEAU INF.1GR NOIR	UNTERTAFEL 1GR SCHWARZ
3	75288302	PANNELLO INF.2GR NERO RAL9005+BRILL	LOWER PANEL 2GR BLACK	PANNEAU INF.2GR NOIR	UNTERTAFEL 2GR SCHWARZ
3	75288304	PANNELLO INF.3GR NERO RAL9005+BRILL	LOWER PANEL 3GR BLACK	PANNEAU INF.3GR NOIR	UNTERTAFEL 3GR SCHWARZ
3	75288306	PANNELLO INF.4GR NERO RAL9005+BRILL	LOWER PANEL 4GR BLACK	PANNEAU INF.4GR NOIR	UNTERTAFEL 4GR SCHWARZ
3	75288332	PANNELLO INF.JUN NERO RAL9005+BRILL	LOWER PANEL JUN BLACK	PANNEAU INF.JUN NOIR	UNTERTAFEL JUN SCHWARZ
4	76100127	GRIGLIA SUPERIORE 1GR INOX	TOP GRATE 1GR S.STEEL	GRILLE SUP. 1GR INOX	OBERGITTER 1GR STAHL
4	76100128	GRIGLIA SUPERIORE 2GR INOX	TOP GRATE 2GR S.STEEL	GRILLE SUP. 2GR INOX	OBERGITTER 2GR STAHL
4	76100129	GRIGLIA SUPERIORE 3GR INOX	TOP GRATE 3GR S.STEEL	GRILLE SUP. 3GR INOX	OBERGITTER 3GR STAHL
4	76100130	GRIGLIA SUPERIORE 4GR INOX	TOP GRATE 4GR S.STEEL	GRILLE SUP. 4GR INOX	OBERGITTER 4GR STAHL
4	76100131	GRIGLIA SUPERIORE JUN INOX	TOP GRATE JUN S.STEEL	GRILLE SUP. JUN INOX	OBERGITTER JUN STAHL
5	77197521	PROFILO SUP.1GR INOX	S.STEEL TOP SECTION 1GR	PROFILS SUP. INOX 1GR	STAHL-OBERUMRANDUNG 1GR
5	77197522	PROFILO SUP.2GR INOX	S.STEEL TOP SECTION 2GR	PROFILS SUP. INOX 2GR	STAHL-OBERUMRANDUNG 2GR
5	77197523	PROFILO SUP.3GR INOX	S.STEEL TOP SECTION 3GR	PROFILS SUP. INOX 3GR	STAHL-OBERUMRANDUNG 3GR
5	77197524	PROFILO SUP.4GR INOX	S.STEEL TOP SECTION 4GR	PROFILS SUP. INOX 4GR	STAHL-OBERUMRANDUNG 4GR
5	77197525	PROFILO SUP.JUN INOX	S.STEEL TOP SECTION JUN	PROFILS SUP. INOX JUN	STAHL-OBERUMRANDUNG JUN
6	77278516	COPRIMPIANTO 1GR	CABLE-COVER 1GR	COUVRE-CABLAGE 1GR	VERDRAHTUNHDECKEL 1GR
6	77278517	COPRIMPIANTO 2GR	CABLE-COVER 2GR	COUVRE-CABLAGE 2GR	VERDRAHTUNHDECKEL 2GR
6	77278518	COPRIMPIANTO 3GR	CABLE-COVER 3GR	COUVRE-CABLAGE 3GR	VERDRAHTUNHDECKEL 3GR
6	77278519	COPRIMPIANTO 4GR	CABLE-COVER 4GR	COUVRE-CABLAGE 4GR	VERDRAHTUNHDECKEL 4GR
6	77278520	COPRIMPIANTO JUN	CABLE-COVER JUN	COUVRE-CABLAGE JUN	VERDRAHTUNHDECKEL JUN
7	77278528	COPRIMPIANTO 2GR+CAPP.3S	CABLE-COVER 2GR DS	COUVRE-CABLAGE 2GR DS	VERDRAHTUNHDECKEL 2GR DS
7	77278529	COPRIMPIANTO 3GR+CAPP.3S	CABLE-COVER 3GR DS	COUVRE-CABLAGE 3GR DS	VERDRAHTUNHDECKEL 3GR DS
8	15029050	MANOPOLA	KNOB	POIGNEE	HANDGRIFF
9	15029051	TAPPO MANOPOLA	CAP KNOB	BOUCHON POIGNEE	DECKEL HANDGRIFF

NERO - BLACK - NOIR - SCHWARZ

Pos	Code	Denominazione - IT -	Denomination - EN -	Denomination - FR -	Denomination - DE -
10	77044139	COPRICALDAIA ER/1 CTS INOX/LUC	S.STEEL BOILER COVER 1GR	COUVRE-CHAUDIERE INOX 1GR	KESSELDECKEL 1GR STAHL
10	77044140	COPRICALDAIA ER/2 CTS INOX/LUC	S.STEEL BOILER COVER 2GR	COUVRE-CHAUDIERE INOX 2GR	KESSELDECKEL 2GR STAHL
10	77044141	COPRICALDAIA ER/3 CTS INOX/LUC	S.STEEL BOILER COVER 3GR	COUVRE-CHAUDIERE INOX 3GR	KESSELDECKEL 3GR STAHL
10	77044142	COPRICALDAIA ER/4 CTS INOX/LUC	S.STEEL BOILER COVER 4GR	COUVRE-CHAUDIERE INOX 4GR	KESSELDECKEL 4GR STAHL
10	77044178	COPRICALDAIA ER/J CTS INOX/LUC	S.STEEL BOILER COVER JUN	COUVRE-CHAUDIERE INOX JUN	KESSELDECKEL JUN STAHL
11	77044147	COPRICALDAIA ER/1+DISPLAY CTS INOX/LUC	S.STEEL BOILER COVER 1GR+DISPLAY	COUVRE-CHAUDIERE INOX 1GR+DISPLAY	KESSELDECKEL 1GR+DISPLAY STAHL
11	77044148	COPRICALDAIA ER/2+DISPLAY CTS INOX/LUC	S.STEEL BOILER COVER 2GR+DISPLAY	COUVRE-CHAUDIERE INOX 2GR+DISPLAY	KESSELDECKEL 2GR+DISPLAY STAHL
11	77044149	COPRICALDAIA ER/3+DISPLAY CTS INOX/LUC	S.STEEL BOILER COVER 3GR+DISPLAY	COUVRE-CHAUDIERE INOX 3GR+DISPLAY	KESSELDECKEL 3GR+DISPLAY STAHL
11	77044150	COPRICALDAIA ER/4+DISPLAY CTS INOX/LUC	S.STEEL BOILER COVER 4GR+DISPLAY	COUVRE-CHAUDIERE INOX 4GR+DISPLAY	KESSELDECKEL 4GR+DISPLAY STAHL
12	77044159	COPRICALDAIA ER/1 CTS INOX/LUC GR.RI	S.STEEL BOILER COVER 1GR RAISED GROUPS	COUVRE-CHAUDIERE INOX 1GR GROUPES RE	KESSELDECKEL 1GR STAHL ERHOEHTE GRUPPEN
12	77044160	COPRICALDAIA ER/2 CTS INOX/LUC GR.RI	S.STEEL BOILER COVER 3GR RAISED GROUPS	COUVRE-CHAUDIERE INOX 2GR GROUPES RE	KESSELDECKEL 2GR STAHL ERHOEHTE GRUPPEN
12	77044161	COPRICALDAIA ER/3 CTS INOX/LUC GR.RI	S.STEEL BOILER COVER 3GR RAISED GROUPS	COUVRE-CHAUDIERE INOX 3GR GROUPES RE	KESSELDECKEL 3GR STAHL ERHOEHTE GRUPPEN
12	77044162	COPRICALDAIA ER/4 CTS INOX/LUC GR.RI	S.STEEL BOILER COVER 4GR RAISED GRUOPS	COUVRE-CHAUDIERE INOX 4GR GROUPES RE	KESSELDECKEL 4GR STAHL ERHOEHTE GRUPPEN
13	77044163	COPRICALDAIA ER/1 DISPLAY INOX/LUC GR.RI.	S.STEEL BOILER COVER 1GR DISPLAY	COUVRE-CHAUDIERE INOX 1GR DISPLAY GR.RE.	KESSELDECKEL 1GR STAHL DISPLAY ERHOEHTE
13	77044164	COPRICALDAIA ER/2 DISPLAY INOX/LUC GR.RI.	S.STEEL BOILER COVER 2GR DISPLAY	COUVRE-CHAUDIERE INOX 2GR DISPLAY GR.RE.	KESSELDECKEL 2GR STAHL DISPLAY ERHOEHTE
13	77044165	COPRICALDAIA ER/3 DISPLAY INOX/LUC GR.RI.	S.STEEL BOILER COVER 3GR DISPLAY	COUVRE-CHAUDIERE INOX 3GR DISPLAY GR.RE.	KESSELDECKEL 3GR STAHL DISPLAY ERHOEHTE
13	77044166	COPRICALDAIA ER/4 DISPLAY INOX/LUC GR.RI	S.STEEL BOILER COVER 4GR DISPLAY	COUVRE-CHAUDIERE INOX 4GR DISPLAY GR.RE.	KESSELDECKEL 4GR STAHL DISPLAY ERHOEHTE
14	73130302	FIANCO DESTRO NERO RAL9005+BRILL	RIGHT SIDE PANEL BLACK	COTE DROITE NOIR	RECHTE SEITE SCHWARZ
15	21202	SEGNALIVELLO	LEVEL INDICATOR	SIGNAL NIVEAU	FARBLOSER NIVEAUANZEIGER
16	77691990	COPERTURA GRUPPO INOX	S.STEEL GROUP COVER	COUVRE-GROUPE INOX	GRUPPENDECKEL STAHL
17	23420001	VITE TE BOMBATA M6x12 OT/Ni	M6x12NICKEL-PLATED BRASS HEX.HEAD SCREW	VIS TH LAITON M6x12 NICKEELE	SECHSKANTSCHRAUBE AUS MESSING M6x12
18	76152000	GRIGLIA INF.WN01 INOX LUC.316x201	LOWER GRILL 316x201 - SHINY S.STEEL	GRILLE INF.INOX 316x201	STAHL-UNTERGITTER 316x201
19	76153000	GRIGLIA INFERIORE INOX LUC.456x201	LOWER GRILL 456x201 SHINY S.STEEL	GRILLE INF.INOX 456x201	STAHL-UNTERGITTER 456x201
20	76154000	GRIGLIA INF.DESTRA INOX LUC.338.5x201	RIGHT LOWER GRILL -SHINY S.STEEL	GRILLE INF.DROIT INOX 338,5x201	STAHL-UNTER-RECHTEGITTER 338,5x201
21	76155000	GRIGLIA INF.SINISTRA INOX LUC.338.5x201	LEFT LOWER GRILL - SHINY S.STEEL	GRILLE INF.GAUCHE INOX 338,5x201	STAHL-UNTER-LINKEGITTER 338,5x201
22	76156000	GRIGLIA INFERIORE INOX LUC.	LOWER GRILL - SHINY S.STEEL	GRILLE INF.INOX	STAHL-UNTERGITTER
23	76094	BACINELLA JUN INOX LUCIDO	JUN GLOSSY STAINLESS STEEL TRAY	BASSINELLE JUN INOX BRILLANT	STAHSCHALE JUN
23	76095	BACINELLA 1GR INOX LUCIDO	1GR GLOSSY STAINLESS STEEL TRAY	BASSINELLE 1GR INOX BRILLANT	STAHSCHALE 1GR
23	76096	BACINELLA 2GR INOX LUCIDO	2GR GLOSSY STAINLESS STEEL TRAY	BASSINELLE 2GR INOX BRILLANT	STAHSCHALE 2GR
23	76097	BACINELLA 3GR INOX LUCIDO	3GR GLOSSY STAINLESS STEEL TRAY	BASSINELLE 3GR INOX BRILLANT	STAHSCHALE 3GR
23	76098	BACINELLA 4GR INOX LUCIDO	4GR GLOSSY STAINLESS STEEL TRAY	BASSINELLE 4GR INOX BRILLANT	STAHSCHALE 4GR
24	77487201	PROFILO BASAMENTO ANT.1GR NERO 9005+BRILL	BASE SURROUND 1GR BLACK	PROFILS BASE 1GR NOIR	GRUNDPROFIL 1GR SCHWARZ
24	77487202	PROFILO BASAMENTO ANT.2GR NERO 9005+BRILL	BASE SURROUND 2GR BLACK	PROFILS BASE 2GR NOIR	GRUNDPROFIL 2GR SCHWARZ
24	77487203	PROFILO BASAMENTO ANT.3GR NERO 9005+BRILL	BASE SURROUND 3GR BLACK	PROFILS BASE 3GR NOIR	GRUNDPROFIL 3GR SCHWARZ
24	77487204	PROFILO BASAMENTO ANT.4GR NERO 9005+BRILL	BASE SURROUND 4GR BLACK	PROFILS BASE 4GR NOIR	GRUNDPROFIL 4GR SCHWARZ
24	77487209	PROFILO BASAMENTO ANT.JUN NERO 9005+BRILL	BASE SURROUND JUN BLACK	PROFILS BASE JUN NOIR	GRUNDPROFIL JUN SCHWARZ
25	77487229	PROFILO BASAMENTO ANT.1GR NERO 9005+BRILL	BASE SURROUND 1GR BLACK	PROFILS BASE 1GR NOIR	GRUNDPROFIL 1GR SCHWARZ
25	77487230	PROFILO BASAMENTO ANT.2GR NERO 9005+BRILL	BASE SURROUND 2GR BLACK	PROFILS BASE 2GR NOIR	GRUNDPROFIL 2GR SCHWARZ
25	77487231	PROFILO BASAMENTO ANT.3GR NERO 9005+BRILL	BASE SURROUND 3GR BLACK	PROFILS BASE 3GR NOIR	GRUNDPROFIL 3GR SCHWARZ
25	77487232	PROFILO BASAMENTO ANT.4GR NERO 9005+BRILL	BASE SURROUND 4GR BLACK	PROFILS BASE 4GR NOIR	GRUNDPROFIL 4GR SCHWARZ

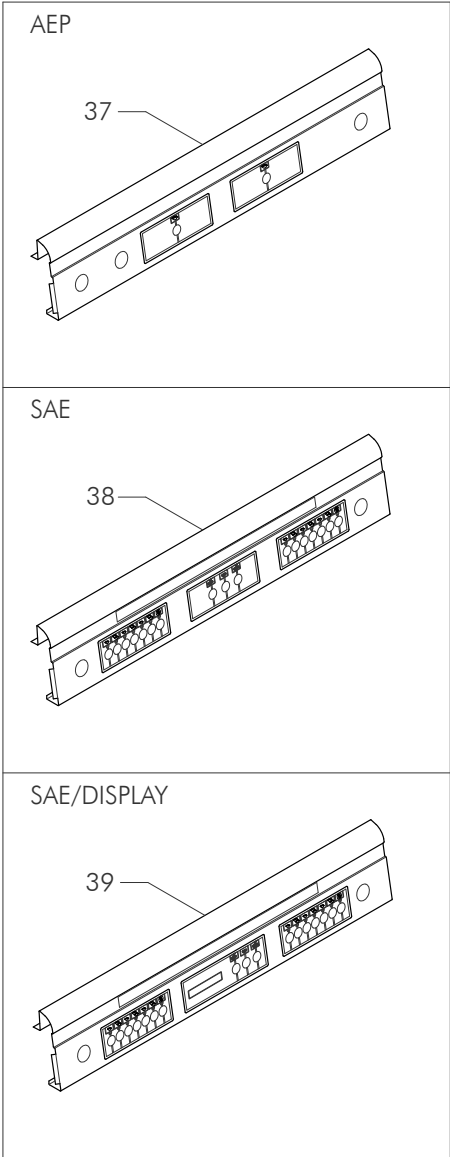
NERO - BLACK - NOIR - SCHWARZ

Pos	Code	Denominazione - IT -	Denomination - EN -	Denomination - FR -	Denomination - DE -
26	77691959	PROTEZIONE PULSANTIERA DS	TOUCH-PAD DS PROTECTION	PROTECTION CLAVIER DS	SCHUTZ BEDIENBLENDE DS
27	83770200R	KIT BASAMENTO 1GR ASD INGLESE NERO 9005+BR	ASSEMBLY BASE SURROUND 1GR ASD ENGLISH	ENSEMBLE PROFIL BASE 1GR ASD ANGLAIS	GRUNDPROFIL 1GR ASD ENGLISCH SCHWARZ
27	83770202R	KIT BASAMENTO 1GR ASD TEDESCO NERO 9005+BR	ASSEMBLY BASE SURROUND 1GR ASD GERMAN	ENSEMBLE PROFIL BASE 1GR ASD ALLEMANDE	GRUNDPROFIL 1GR ASD DEUTSCH SCHWARZ
27	83770204R	KIT BASAMENTO 2GR ASD INGLESE NERO 9005+BR	ASSEMBLY BASE SURROUND 2GR ASD ENGLISH	ENSEMBLE PROFIL BASE 2GR ASD ANGLAIS	GRUNDPROFIL 2GR ASD ENGLISCH SCHWARZ
27	83770206R	KIT BASAMENTO 2GR ASD TEDESCO NERO 9005+BR	ASSEMBLY BASE SURROUND 2GR ASD GERMAN	ENSEMBLE PROFIL BASE 2GR ASD ALLEMANDE	GRUNDPROFIL 2GR ASD DEUTSCH SCHWARZ
27	83770208R	KIT BASAMENTO 3GR ASD INGLESE NERO 9005+BR	ASSEMBLY BASE SURROUND 3GR ASD ENGLISH	ENSEMBLE PROFIL BASE 3GR ASD ANGLAIS	GRUNDPROFIL 3GR ASD ENGLISCH SCHWARZ
27	83770210R	KIT BASAMENTO 3GR ASD TEDESCO NERO 9005+BR	ASSEMBLY BASE SURROUND 3GR ASD GERMAN	ENSEMBLE PROFIL BASE 3GR ASD ALLEMANDE	GRUNDPROFIL 3GR ASD DEUTSCH SCHWARZ
28	83770201R	KIT BASAMENTO 1GR DS INGLESE NERO 9005+BRI	ASSEMBLY BASE SURROUND 1GR DS ENGLISH	ENSEMBLE PROFIL BASE 1GR DS ANGLAIS NOIR	GRUNDPROFIL 1GR DS ENGLISCH SCHWARZ
28	83770203R	KIT BASAMENTO 1GR DS TEDESCO NERO 9005+BRI	ASSEMBLY BASE SURROUND 1GR DS GERMAN	ENSEMBLE PROFIL BASE 1GR DS ALLEMANDE	GRUNDPROFIL 1GR DS DEUTSCH SCHWARZ
28	83770205R	KIT BASAMENTO 2GR DS INGLESE NERO 9005+BRI	ASSEMBLY BASE SURROUND 2GR DS ENGLISH	ENSEMBLE PROFIL BASE 2GR DS ANGLAIS NOIR	GRUNDPROFIL 2GR DS ENGLISCH SCHWARZ
28	83770207R	KIT BASAMENTO 2GR DS TEDESCO NERO 9005+BRI	ASSEMBLY BASE SURROUND 2GR DS GERMAN	ENSEMBLE PROFIL BASE 2GR DS ALLEMANDE	GRUNDPROFIL 2GR DS DEUTSCH SCHWARZ
28	83770209R	KIT BASAMENTO 3GR DS INGLESE NERO 9005+BRI	ASSEMBLY BASE SURROUND 3GR DS ENGLISH	ENSEMBLE PROFIL BASE 3GR DS ANGLAIS NOIR	GRUNDPROFIL 3GR DS ENGLISCH SCHWARZ
28	83770211R	KIT BASAMENTO 3GR DS TEDESCO NERO 9005+BRI	ASSEMBLY BASE SURROUND 3GR DS GERMAN	ENSEMBLE PROFIL BASE 3GR DS ALLEMANDE	GRUNDPROFIL 3GR DS DEUTSCH SCHWARZ
29	77741	GUIDA DESTRA-SINISTRA BACINELLA	R-L BASIN GUIDE FOR FRAMES	GUIDE DX-SX CUVE x CHASSIS	FUHRUNG RECHTS-LINKS SCHALE FUR RAH
30	77742005	DISTANZIALE GUIDA BACINELLA	SPACER GLOSSY	ENTRETOISE CUVE	DISTANZSTUECK
31	77607020	SUPPORTO DESTRO-SINISTRO FIANCO	RIGHT-LEFT SUPPORT	SUPPORT DROIT-GAUCHE	RECHTS/LINKS HALTER
32	15318002	PIEDINO REGOLABILE INOX/SAT	ADJUSTABLE FOOT	PIED REGLABLE	REGELBARER FUSS
33	15373070	TAPPO ABS CROMATO FORO GAS	CHROMED CAP	BOUCHON CHROME COUVRE-TROU DU GAZ	CHROM CAP
34	76149054	GRIGLIA RIALZO TAZZE 1/2GR	CUPS-STAND FOR RAISED GROUP 1/2GR	GRILLE SUPERIEURE 1/2GR	GITTER FUER HOHE GRUPPE 1/2GR
35	78150060	SUPPORTO MANOMETRO 1>4GR	GAUGE SUPPORT 1>4GR	SUPPORT MANOMETRE 1>4GR	MANOMETERHALTER 1>4GR
36	21109	MANOMETRO QUADRO DOPPIA SCALA	SQUARE GAUGE DOUBLE L. SCALE	MANOMETRE TABLEAU DOUBLE ECHELLE L.	MANOMETERTAFEL DOPPELSKAL
37	56901294	FRONTONE ASS.AEP/J NERO 9005+BRILL	ASSEMBLY FRONT PANEL AEP/J BLACK	ENSEMBLE PANNEAU FRONTAL AEP/J NOIR	STIRNTAFEL AEP/J SCHWARZ GRUPPE
37	56901302	FRONTONE ASS.AEP/1 NERO 9005+BRILL	ASSEMBLY FRONT PANEL AEP/1 BLACK	ENSEMBLE PANNEAU FRONTAL AEP/1 NOIR	STIRNTAFEL AEP/1 SCHWARZ GRUPPE
37	56901310	FRONTONE ASS.AEP/2 NERO 9005+BRILL	ASSEMBLY FRONT PANEL AEP/2 BLACK	ENSEMBLE PANNEAU FRONTAL AEP/2 NOIR	STIRNTAFEL AEP/2 SCHWARZ GRUPPE
37	56901324	FRONTONE ASS.AEP/3 NERO 9005+BRILL	ASSEMBLY FRONT PANEL AEP/3 BLACK	ENSEMBLE PANNEAU FRONTAL AEP/3 NOIR	STIRNTAFEL AEP/3 SCHWARZ GRUPPE
37	56901332	FRONTONE ASS.AEP/4 NERO 9005+BRILL	ASSEMBLY FRONT PANEL AEP/4 BLACK	ENSEMBLE PANNEAU FRONTAL AEP/4 NOIR	STIRNTAFEL AEP/4 SCHWARZ GRUPPE
38	56901298	FRONTONE ASS.SAE/J 6T NERO 9005+BRILL	ASSEMBLY FRONT PANEL SAE/J 6T BLACK	ENSEMBLE PANNEAU FRONTAL SAE/J 6T NOIR	STIRNTAFEL SAE/J 6T SCHWARZ GRUPPE
38	56901306	FRONTONE ASS.SAE/1 6T NERO 9005+BRILL	ASSEMBLY FRONT PANEL SAE/1 6T BLACK	ENSEMBLE PANNEAU FRONTAL SAE/1 6T NOIR	STIRNTAFEL SAE/1 6T SCHWARZ GRUPPE
38	56901314	FRONTONE ASS.SAE/2 6T NERO 9005+BRILL	ASSEMBLY FRONT PANEL SAE/2 6T BLACK	ENSEMBLE PANNEAU FRONTAL SAE/2 6T NOIR	STIRNTAFEL SAE/2 6T SCHWARZ GRUPPE
38	56901328	FRONTONE ASS.SAE/3 6T NERO 9005+BRILL	ASSEMBLY FRONT PANEL SAE/3 6T BLACK	ENSEMBLE PANNEAU FRONTAL SAE/3 6T NOIR	STIRNTAFEL SAE/3 6T SCHWARZ GRUPPE
38	56901336	FRONTONE ASS.SAE/4 6T NERO 9005+BRILL	ASSEMBLY FRONT PANEL SAE/4 6T BLACK	ENSEMBLE PANNEAU FRONTAL SAE/4 6T NOIR	STIRNTAFEL SAE/4 6T SCHWARZ GRUPPE
39	56901315	FRONTONE ASS.SAE/2+DISPLAY 6T NERO 9005+BR	ASSEMBLY FRONT PANEL DISPLAY 2 BLACK	ENSEMBLE PANNEAU FRONTAL DISPLAY 2 NOIR	STIRNTAFEL DISPLAY 2 SCHWARZ GRUPPE
39	56901329	FRONTONE ASS.SAE/3+DISPLAY 6T NERO 9005+BR	ASSEMBLY FRONT PANEL DISPLAY 3 BLACK	ENSEMBLE PANNEAU FRONTAL DISPLAY 3 NOIR	STIRNTAFEL DISPLAY 3 SCHWARZ GRUPPE
39	56901337	FRONTONE ASS.SAE/4+DISPLAY 6T NERO 9005+BR	ASSEMBLY FRONT PANEL DISPLAY 4 BLACK	ENSEMBLE PANNEAU FRONTAL DISPLAY 4 NOIR	STIRNTAFEL DISPLAY 4 SCHWARZ GRUPPE



10
11 DISPLAY
12 (*)
13 DISPLAY (*)

18 JUN
19 1GR
20+21 2GR
20+22+21 3GR
20+22+22+21 4GR



* - Gruppi rialzati
- Raised groups
- Groupes rehaussés
- Erhoehte Gruppen

INOX - S.STEEL - INOX - STAHL

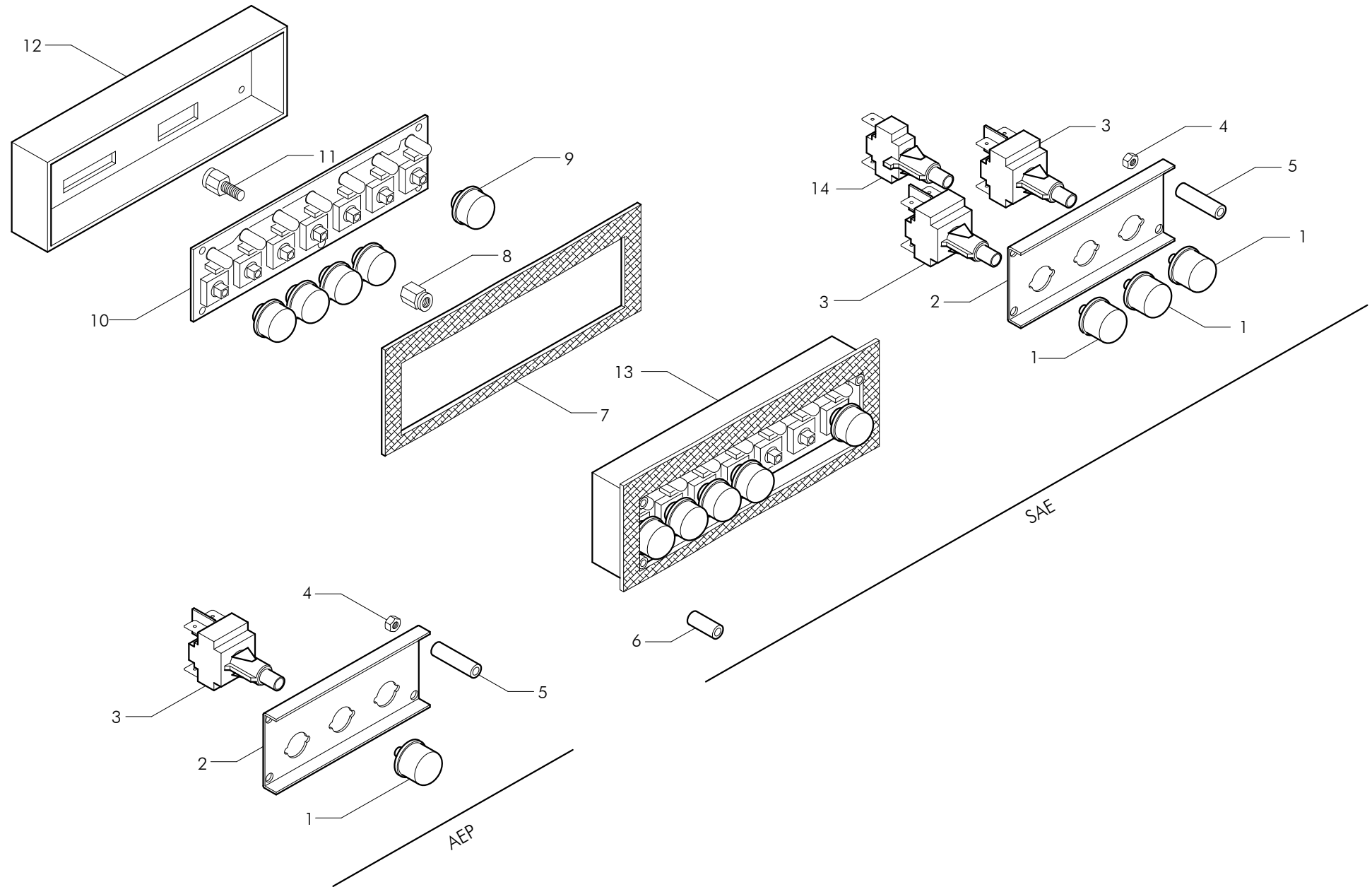
Pos	Code	Denominazione - IT -	Denomination - EN -	Denomination - FR -	Denomination - DE -
1	73130301	FIANCO SINISTRO INOX	LEFT SIDE PANEL S.STEEL	COTE GAUCHE INOX	LINKE SEITE STAHL
2	75288309	PANNELLO SUP.1GR INOX	TOP PANEL 1GR S.STEEL	PANNEAU SUP.1GR INOX	OBERTAFEL 1GR STAHL
2	75288311	PANNELLO SUP.2GR INOX	TOP PANEL 2GR S.STEEL	PANNEAU SUP.2GR INOX	OBERTAFEL 2GR STAHL
2	75288313	PANNELLO SUP.3GR INOX	TOP PANEL 3GR S.STEEL	PANNEAU INF.3GR INOX	OBERTAFEL 3GR STAHL
2	75288315	PANNELLO SUP.4GR INOX	TOP PANEL 4GR S.STEEL	PANNEAU SUP.4GR INOX	OBERTAFEL 4GR STAHL
2	75288335	PANNELLO SUP.JUN INOX	TOP PANEL JUN S.STEEL	PANNEAU SUP.JUN INOX	OBERTAFEL JUN STAHL
3	75288308	PANNELLO INF.1GR INOX	LOWER PANEL 1GR S.STEEL	PANNEAU INF.1GR INOX	UNTERTAFEL 1GR STAHL
3	75288310	PANNELLO INF.2GR INOX	LOWER PANEL 2GR S.STEEL	PANNEAU INF.1GR INOX	UNTERTAFEL 1GR STAHL
3	75288312	PANNELLO INF.3GR INOX	LOWER PANEL 3GR S.STEEL	PANNEAU INF.3GR INOX	UNTERTAFEL 3GR STAHL
3	75288314	PANNELLO INF.4GR INOX	LOWER PANEL 4GR S.STEEL	PANNEAU INF.4GR INOX	UNTERTAFEL 4GR STAHL
3	75288334	PANNELLO INF.JUN INOX	LOWER PANEL JUN S.STEEL	PANNEAU INF.JUN INOX	UNTERTAFEL JUN STAHL
4	76100127	GRIGLIA SUPERIORE 1GR INOX	TOP GRATE 1GR S.STEEL	GRILLE SUP. 1GR INOX	OBERGITTER 1GR STAHL
4	76100128	GRIGLIA SUPERIORE 2GR INOX	TOP GRATE 2GR S.STEEL	GRILLE SUP. 2GR INOX	OBERGITTER 2GR STAHL
4	76100129	GRIGLIA SUPERIORE 3GR INOX	TOP GRATE 3GR S.STEEL	GRILLE SUP. 3GR INOX	OBERGITTER 3GR STAHL
4	76100130	GRIGLIA SUPERIORE 4GR INOX	TOP GRATE 4GR S.STEEL	GRILLE SUP. 4GR INOX	OBERGITTER 4GR STAHL
4	76100131	GRIGLIA SUPERIORE JUN INOX	TOP GRATE JUN S.STEEL	GRILLE SUP. JUN INOX	OBERGITTER JUN STAHL
5	77197521	PROFILO SUP.1GR INOX	S.STEEL TOP SECTION 1GR	PROFILS SUP. INOX 1GR	STAHL-OBERUMRANDUNG 1GR
5	77197522	PROFILO SUP.2GR INOX	S.STEEL TOP SECTION 2GR	PROFILS SUP. INOX 2GR	STAHL-OBERUMRANDUNG 2GR
5	77197523	PROFILO SUP.3GR INOX	S.STEEL TOP SECTION 3GR	PROFILS SUP. INOX 3GR	STAHL-OBERUMRANDUNG 3GR
5	77197524	PROFILO SUP.4GR INOX	S.STEEL TOP SECTION 4GR	PROFILS SUP. INOX 4GR	STAHL-OBERUMRANDUNG 4GR
5	77197525	PROFILO SUP.JUN INOX	S.STEEL TOP SECTION JUN	PROFILS SUP. INOX JUN	STAHL-OBERUMRANDUNG JUN
6	77278516	COPRIMPIANTO 1GR	CABLE-COVER 1GR	COUVRE-CABLAGE 1GR	VERDRAHTUNHDECKEL 1GR
6	77278517	COPRIMPIANTO 2GR	CABLE-COVER 2GR	COUVRE-CABLAGE 2GR	VERDRAHTUNHDECKEL 2GR
6	77278518	COPRIMPIANTO 3GR	CABLE-COVER 3GR	COUVRE-CABLAGE 3GR	VERDRAHTUNHDECKEL 3GR
6	77278519	COPRIMPIANTO 4GR	CABLE-COVER 4GR	COUVRE-CABLAGE 4GR	VERDRAHTUNHDECKEL 4GR
6	77278520	COPRIMPIANTO JUN	CABLE-COVER JUN	COUVRE-CABLAGE JUN	VERDRAHTUNHDECKEL JUN
7	77278528	COPRIMPIANTO 2GR+CAPP.3S	CABLE-COVER 2GR DS	COUVRE-CABLAGE 2GR DS	VERDRAHTUNHDECKEL 2GR DS
7	77278529	COPRIMPIANTO 3GR+CAPP.3S	CABLE-COVER 3GR DS	COUVRE-CABLAGE 3GR DS	VERDRAHTUNHDECKEL 3GR DS
8	15029050	MANOPOLA	KNOB	POIGNEE	HANDGRIFF
9	15029051	TAPPO MANOPOLA	CAP KNOB	BOUCHON POIGNEE	DECKEL HANDGRIFF

INOX - S.STEEL - INOX - STAHL

Pos	Code	Denominazione - IT -	Denomination - EN -	Denomination - FR -	Denomination - DE -
10	77044139	COPRICALDAIA ER/1 CTS INOX/LUC	S.STEEL BOILER COVER 1GR	COUVRE-CHAUDIERE INOX 1GR	KESSELDECKEL 1GR STAHL
10	77044140	COPRICALDAIA ER/2 CTS INOX/LUC	S.STEEL BOILER COVER 2GR	COUVRE-CHAUDIERE INOX 2GR	KESSELDECKEL 2GR STAHL
10	77044141	COPRICALDAIA ER/3 CTS INOX/LUC	S.STEEL BOILER COVER 3GR	COUVRE-CHAUDIERE INOX 3GR	KESSELDECKEL 3GR STAHL
10	77044142	COPRICALDAIA ER/4 CTS INOX/LUC	S.STEEL BOILER COVER 4GR	COUVRE-CHAUDIERE INOX 4GR	KESSELDECKEL 4GR STAHL
10	77044178	COPRICALDAIA ER/J CTS INOX/LUC	S.STEEL BOILER COVER JUN	COUVRE-CHAUDIERE INOX JUN	KESSELDECKEL JUN STAHL
11	77044147	COPRICALDAIA ER/1+DISPLAY CTS INOX/LUC	S.STEEL BOILER COVER 1GR+DISPLAY	COUVRE-CHAUDIERE INOX 1GR+DISPLAY	KESSELDECKEL 1GR+DISPLAY STAHL
11	77044148	COPRICALDAIA ER/2+DISPLAY CTS INOX/LUC	S.STEEL BOILER COVER 2GR+DISPLAY	COUVRE-CHAUDIERE INOX 2GR+DISPLAY	KESSELDECKEL 2GR+DISPLAY STAHL
11	77044149	COPRICALDAIA ER/3+DISPLAY CTS INOX/LUC	S.STEEL BOILER COVER 3GR+DISPLAY	COUVRE-CHAUDIERE INOX 3GR+DISPLAY	KESSELDECKEL 3GR+DISPLAY STAHL
11	77044150	COPRICALDAIA ER/4+DISPLAY CTS INOX/LUC	S.STEEL BOILER COVER 4GR+DISPLAY	COUVRE-CHAUDIERE INOX 4GR+DISPLAY	KESSELDECKEL 4GR+DISPLAY STAHL
12	77044159	COPRICALDAIA ER/1 CTS INOX/LUC GR.RI	S.STEEL BOILER COVER 1GR RAISED GROUPS	COUVRE-CHAUDIERE INOX 1GR GROUPES RE	KESSELDECKEL 1GR STAHL ERHOEHTE GRUPPEN
12	77044160	COPRICALDAIA ER/2 CTS INOX/LUC GR.RI	S.STEEL BOILER COVER 3GR RAISED GROUPS	COUVRE-CHAUDIERE INOX 2GR GROUPES RE	KESSELDECKEL 2GR STAHL ERHOEHTE GRUPPEN
12	77044161	COPRICALDAIA ER/3 CTS INOX/LUC GR.RI	S.STEEL BOILER COVER 3GR RAISED GROUPS	COUVRE-CHAUDIERE INOX 3GR GROUPES RE	KESSELDECKEL 3GR STAHL ERHOEHTE GRUPPEN
12	77044162	COPRICALDAIA ER/4 CTS INOX/LUC GR.RI	S.STEEL BOILER COVER 4GR RAISED GRUOPS	COUVRE-CHAUDIERE INOX 4GR GROUPES RE	KESSELDECKEL 4GR STAHL ERHOEHTE GRUPPEN
13	77044163	COPRICALDAIA ER/1 DISPLAY INOX/LUC GR.RI.	S.STEEL BOILER COVER 1GR DISPLAY	COUVRE-CHAUDIERE INOX 1GR DISPLAY GR.RE.	KESSELDECKEL 1GR STAHL DISPLAY ERHOEHTE
13	77044164	COPRICALDAIA ER/2 DISPLAY INOX/LUC GR.RI.	S.STEEL BOILER COVER 2GR DISPLAY	COUVRE-CHAUDIERE INOX 2GR DISPLAY GR.RE.	KESSELDECKEL 2GR STAHL DISPLAY ERHOEHTE
13	77044165	COPRICALDAIA ER/3 DISPLAY INOX/LUC GR.RI.	S.STEEL BOILER COVER 3GR DISPLAY	COUVRE-CHAUDIERE INOX 3GR DISPLAY GR.RE.	KESSELDECKEL 3GR STAHL DISPLAY ERHOEHTE
13	77044166	COPRICALDAIA ER/4 DISPLAY INOX/LUC GR.RI	S.STEEL BOILER COVER 4GR DISPLAY	COUVRE-CHAUDIERE INOX 4GR DISPLAY GR.RE.	KESSELDECKEL 4GR STAHL DISPLAY ERHOEHTE
14	73130300	FIANCO DESTRO INOX	RIGHT SIDE PANEL S.STEEL	COTE DROITE INOX	RECHTE SEITE STAHL
15	21202	SEGNALIVELLO	LEVEL INDICATOR	SIGNAL NIVEAU	FARBLOSER NIVEAUANZEIGER
16	77691990	COPERTURA GRUPPO INOX	S.STEEL GROUP COVER	COUVRE-GROUPE INOX	GRUPPENDECKEL STAHL
17	23420001	VITE TE BOMBATA M6x12 OT/Ni	M6x12NICKEL-PLATED BRASS HEX.HEAD SCREW	VIS TH LAITON M6x12 NICKEELE	SECHSKANTSCHRAUBE AUS MESSING M6x12
18	76152000	GRIGLIA INF.WN01 INOX LUC.316x201	LOWER GRILL 316x201 - SHINY S.STEEL	GRILLE INF.INOX 316x201	STAHL-UNTERGITTER 316x201
19	76153000	GRIGLIA INFERIORE INOX LUC.456x201	LOWER GRILL 456x201 SHINY S.STEEL	GRILLE INF.INOX 456x201	STAHL-UNTERGITTER 456x201
20	76154000	GRIGLIA INF.DESTRA INOX LUC.338.5x201	RIGHT LOWER GRILL -SHINY S.STEEL	GRILLE INF.DROIT INOX 338,5x201	STAHL-UNTER-RECHTEGITTER 338,5x201
21	76155000	GRIGLIA INF.SINISTRA INOX LUC.338.5x201	LEFT LOWER GRILL - SHINY S.STEEL	GRILLE INF.GAUCHE INOX 338,5x201	STAHL-UNTER-LINKEGITTER 338,5x201
22	76156000	GRIGLIA INFERIORE INOX LUC.	LOWER GRILL - SHINY S.STEEL	GRILLE INF.INOX	STAHL-UNTERGITTER
23	76094	BACINELLA JUN INOX LUCIDO	JUN GLOSSY STAINLESS STEEL TRAY	BASSINELLE JUN INOX BRILLANT	STAHSCHALE JUN
23	76095	BACINELLA 1GR INOX LUCIDO	1GR GLOSSY STAINLESS STEEL TRAY	BASSINELLE 1GR INOX BRILLANT	STAHSCHALE 1GR
23	76096	BACINELLA 2GR INOX LUCIDO	2GR GLOSSY STAINLESS STEEL TRAY	BASSINELLE 2GR INOX BRILLANT	STAHSCHALE 2GR
23	76097	BACINELLA 3GR INOX LUCIDO	3GR GLOSSY STAINLESS STEEL TRAY	BASSINELLE 3GR INOX BRILLANT	STAHSCHALE 3GR
23	76098	BACINELLA 4GR INOX LUCIDO	4GR GLOSSY STAINLESS STEEL TRAY	BASSINELLE 4GR INOX BRILLANT	STAHSCHALE 4GR
24	77487205	PROFILO BASAMENTO ANT.1GR INOX	BASE SURROUND 1GR S.STEEL	PROFILS BASE 1GR INOX	GRUNDPROFIL 1GR STAHL
24	77487206	PROFILO BASAMENTO ANT.2GR INOX	BASE SURROUND 2GR S.STEEL	PROFILS BASE 2GR INOX	GRUNDPROFIL 2GR STAHL
24	77487207	PROFILO BASAMENTO ANT.3GR INOX	BASE SURROUND 3GR S.STEEL	PROFILS BASE 3GR INOX	GRUNDPROFIL 3GR STAHL
24	77487208	PROFILO BASAMENTO ANT.4GR INOX	BASE SURROUND 4GR S.STEEL	PROFILS BASE 4GR INOX	GRUNDPROFIL 4GR STAHL
24	77487210	PROFILO BASAMENTO ANT.JUN INOX	BASE SURROUND JUN S.STEEL	PROFILS BASE JUN INOX	GRUNDPROFIL JUN STAHL
25	77487233	PROFILO BASAMENTO ANT.1GR INOX GAS	BASE SURROUND 1GR S.STEEL	PROFILS BASE 1GR INOX	GRUNDPROFIL 1GR STAHL
25	77487234	PROFILO BASAMENTO ANT.2GR INOX GAS	BASE SURROUND 2GR S.STEEL	PROFILS BASE 2GR INOX	GRUNDPROFIL 2GR STAHL
25	77487235	PROFILO BASAMENTO ANT.3GR INOX GAS	BASE SURROUND 3GR S.STEEL	PROFILS BASE 3GR INOX	GRUNDPROFIL 3GR STAHL
25	77487236	PROFILO BASAMENTO ANT.4GR INOX GAS	BASE SURROUND 4GR S.STEEL	PROFILS BASE 4GR INOX	GRUNDPROFIL 4GR STAHL

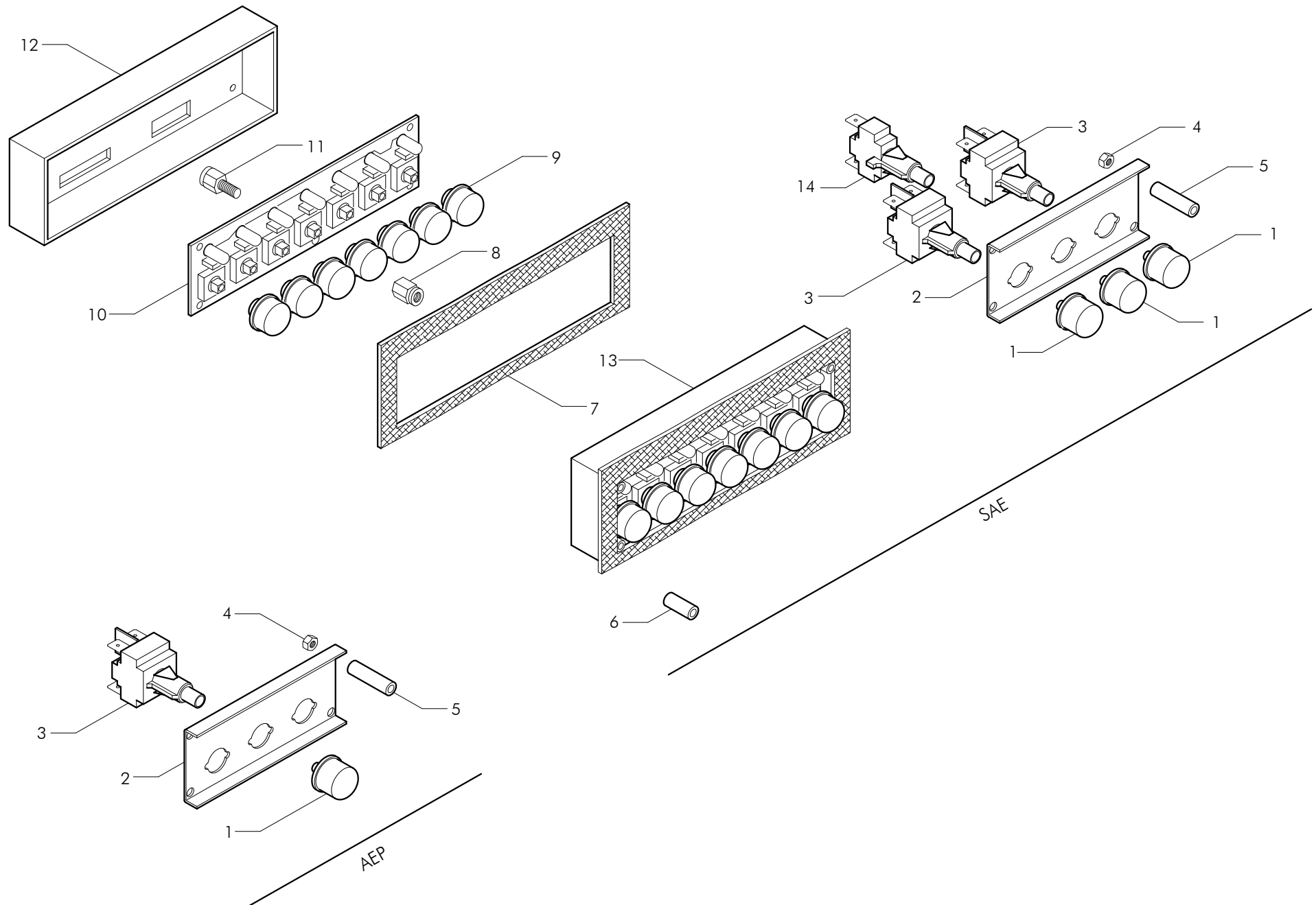
INOX - S.STEEL - INOX - STAHL

Pos	Code	Denominazione - IT -	Denomination - EN -	Denomination - FR -	Denomination - DE -
26	77691959	PROTEZIONE PULSANTIERA DS	TOUCH-PAD DS PROTECTION	PROTECTION CLAVIER DS	SCHUTZ BEDIENBLENDE DS
27	83770216R	KIT BASAMENTO 1GR ASD INGLESE INOX	ASSEMBLY BASE SURROUND 1GR ASD ENGLISH	ENSEMBLE PROFIL BASE 1GR ASD ANGLAIS	GRUNDPROFIL 1GR ASD ENGLISCH STAHL
27	83770218R	KIT BASAMENTO 1GR ASD TEDESCO INOX	ASSEMBLY BASE SURROUND 1GR ASD GERMAN	ENSEMBLE PROFIL BASE 1GR ASD ALLEMANDE	GRUNDPROFIL 1GR ASD DEUTSCH STAHL
27	83770220R	KIT BASAMENTO 2GR ASD INGLESE INOX	ASSEMBLY BASE SURROUND 2GR ASD ENGLISH	ENSEMBLE PROFIL BASE 2GR ASD ANGLAIS	GRUNDPROFIL 2GR ASD ENGLISCH STAHL
27	83770222R	KIT BASAMENTO 2GR ASD TEDESCO INOX	ASSEMBLY BASE SURROUND 2GR ASD GERMAN	ENSEMBLE PROFIL BASE 2GR ASD ALLEMANDE	GRUNDPROFIL 2GR ASD DEUTSCH STAHL
27	83770224R	KIT BASAMENTO 3GR ASD INGLESE INOX	ASSEMBLY BASE SURROUND 3GR ASD ENGLISH	ENSEMBLE PROFIL BASE 3GR ASD ANGLAIS	GRUNDPROFIL 3GR ASD ENGLISCH STAHL
27	83770226R	KIT BASAMENTO 3GR ADS TEDESCO INOX	ASSEMBLY BASE SURROUND 3GR ASD GERMAN	ENSEMBLE PROFIL BASE 3GR ASD ALLEMANDE	GRUNDPROFIL 3GR ASD DEUTSCH STAHL
28	83770217R	KIT BASAMENTO 1GR DS INGLESE INOX	ASSEMBLY BASE SURROUND 1GR DS ENGLISH	ENSEMBLE PROFIL BASE 1GR DS ANGLAIS INOX	GRUNDPROFIL 1GR DS ENGLISCH STAHL
28	83770219R	KIT BASAMENTO 1GR DS TEDESCO INOX	ASSEMBLY BASE SURROUND 1GR DS GERMAN	ENSEMBLE PROFIL BASE 1GR DS ALLEMANDE	GRUNDPROFIL 1GR DS DEUTSCH STAHL
28	83770221R	KIT BASAMENTO 2GR DS INGLESE INOX	ASSEMBLY BASE SURROUND 2GR DS ENGLISH	ENSEMBLE PROFIL BASE 2GR DS ANGLAIS INOX	GRUNDPROFIL 2GR DS ENGLISCH STAHL
28	83770223R	KIT BASAMENTO 2GR DS TEDESCO INOX	ASSEMBLY BASE SURROUND 2GR DS GERMAN	ENSEMBLE PROFIL BASE 2GR DS ALLEMANDE	GRUNDPROFIL 2GR DS DEUTSCH STAHL
28	83770225R	KIT BASAMENTO 3GR DS INGLESE INOX	ASSEMBLY BASE SURROUND 3GR DS ENGLISH	ENSEMBLE PROFIL BASE 3GR DS ANGLAIS INOX	GRUNDPROFIL 3GR DS ENGLISCH STAHL
28	83770227R	KIT BASAMENTO 3GR DS TEDESCO INOX	ASSEMBLY BASE SURROUND 3GR DS GERMAN	ENSEMBLE PROFIL BASE 3GR DS ALLEMANDE	GRUNDPROFIL 3GR DS DEUTSCH STAHL
29	77741	GUIDA DESTRA-SINISTRA BACINELLA	R-L BASIN GUIDE FOR FRAMES	GUIDE DX-SX CUVE x CHASSIS	FUHRUNG RECHTS-LINKS SCHALE FUR RAH
30	77742005	DISTANZIALE GUIDA BACINELLA	SPACER GLOSSY	ENTRETOISE CUVE	DISTANZSTUECK
31	77607020	SUPPORTO DESTRO-SINISTRO FIANCO	RIGHT-LEFT SUPPORT	SUPPORT DROIT-GAUCHE	RECHTS/LINKS HALTER
32	15318002	PIEDINO REGOLABILE INOX/SAT	ADJUSTABLE FOOT	PIED REGLABLE	REGELBARER FUSS
33	15373070	TAPPO ABS CROMATO FORO GAS	CHROMED CAP	BOUCHON CHROME COUVRE-TROU DU GAZ	CHROM CAP
34	76149054	GRIGLIA RIALZO TAZZE 1/2GR	CUPS-STAND FOR RAISED GROUP 1/2GR	GRILLE SUPERIEURE 1/2GR	GITTER FUER HOHE GRUPPE 1/2GR
35	78150060	SUPPORTO MANOMETRO 1>4GR	GAUGE SUPPORT 1>4GR	SUPPORT MANOMETRE 1>4GR	MANOMETERHALTER 1>4GR
36	21109	MANOMETRO QUADRO DOPPIA SCALA	SQUARE GAUGE DOUBLE L. SCALE	MANOMETRE TABLEAU DOUBLE ECHELLE L.	MANOMETERTAFEL DOPPELSKAL
37	56901248	FRONTONE ASS.AEP/J INOX	ASSEMBLY FRONT PANEL AEP/J S.STEEL	ENSEMBLE PANNEAU FRONTAL AEP/J INOX	STIRNTAFEL AEP/J STAHL GRUPPE
37	56901256	FRONTONE ASS.AEP/1 INOX	ASSEMBLY FRONT PANEL AEP/1 S.STEEL	ENSEMBLE PANNEAU FRONTAL AEP/1 INOX	STIRNTAFEL AEP/1 STAHL GRUPPE
37	56901264	FRONTONE ASS.AEP/2 INOX	ASSEMBLY FRONT PANEL AEP/2 S.STEEL	ENSEMBLE PANNEAU FRONTAL AEP/2 INOX	STIRNTAFEL AEP/2 STAHL GRUPPE
37	56901278	FRONTONE ASS.AEP/3 INOX	ASSEMBLY FRONT PANEL AEP/3 S.STEEL	ENSEMBLE PANNEAU FRONTAL AEP/3 INOX	STIRNTAFEL AEP/3 STAHL GRUPPE
37	56901286	FRONTONE ASS.AEP/4 INOX	ASSEMBLY FRONT PANEL AEP/4 S.STEEL	ENSEMBLE PANNEAU FRONTAL AEP/4 INOX	STIRNTAFEL AEP/4 STAHL GRUPPE
38	56901252	FRONTONE ASS.SAE/J 6T INOX	ASSEMBLY FRONT PANEL SAE/J 6T S.STEEL	ENSEMBLE PANNEAU FRONTAL SAE/J 6T INOX	STIRNTAFEL SAE/J 6T STAHL GRUPPE
38	56901260	FRONTONE ASS.SAE/1 6T INOX	ASSEMBLY FRONT PANEL SAE/1 6T S.STEEL	ENSEMBLE PANNEAU FRONTAL SAE/1 6T INOX	STIRNTAFEL SAE/1 6T STAHL GRUPPE
38	56901268	FRONTONE ASS.SAE/2 6T INOX	ASSEMBLY FRONT PANEL SAE/2 6T S.STEEL	ENSEMBLE PANNEAU FRONTAL SAE/2 6T INOX	STIRNTAFEL SAE/2 6T STAHL GRUPPE
38	56901282	FRONTONE ASS.SAE/3 6T INOX	ASSEMBLY FRONT PANEL SAE/3 6T S.STEEL	ENSEMBLE PANNEAU FRONTAL SAE/3 6T INOX	STIRNTAFEL SAE/3 6T STAHL GRUPPE
38	56901290	FRONTONE ASS.SAE/4 6T INOX	ASSEMBLY FRONT PANEL SAE/4 6T S.STEEL	ENSEMBLE PANNEAU FRONTAL SAE/4 6T INOX	STIRNTAFEL SAE/4 6T STAHL GRUPPE
39	56901269	FRONTONE ASS.SAE/2+DISPLAY 6T INOX	ASSEMBLY FRONT PANEL DISPLAY 2 S.STEEL	ENSEMBLE PANNEAU FRONTAL DISPLAY 2 INOX	STIRNTAFEL DISPLAY 2 STAHL GRUPPE
39	56901283	FRONTONE ASS.SAE/3+DISPLAY 6T INOX	ASSEMBLY FRONT PANEL DISPLAY 3 S.STEEL	ENSEMBLE PANNEAU FRONTAL DISPLAY 3 INOX	STIRNTAFEL DISPLAY 3 STAHL GRUPPE
39	56901291	FRONTONE ASS.SAE/4+DISPLAY 6T INOX	ASSEMBLY FRONT PANEL DISPLAY 4 S.STEEL	ENSEMBLE PANNEAU FRONTAL DISPLAY 4 INOX	STIRNTAFEL DISPLAY 4 STAHL GRUPPE



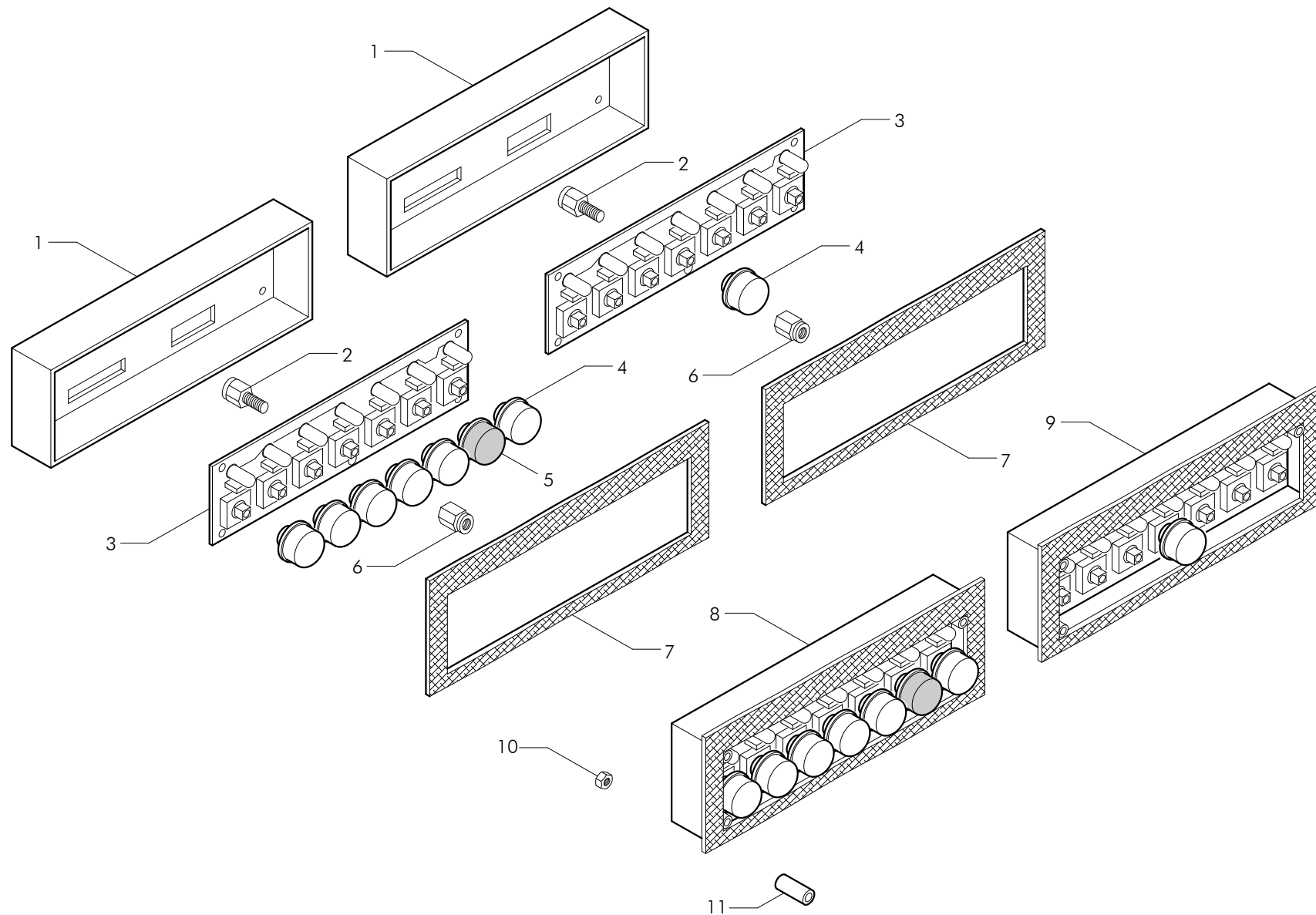
4 DOSI

Pos	Code	Denominazione - IT -	Denomination - EN -	Denomination - FR -	Denomination - DE -
1	15373067	TASTO PULSANTIERE MECCANICHE	BLACK CHROMED KEY	TOUCHE CHROMEE NOIR	SCHWARZ CHROM TASTE
2	77595000	PIASTRINA PORTA INTERRUTTORI	KEY SUPPORT	SUPPORT TOUCHE	TASTE SUPPORT
3	18371057	INTERRUTTORE BIPOLARE	TWO POLE SWITCH	INTERRUPTEUR BIPOLAIRE	ZWEIPOLIGER SCHALTER
4	23050	DADO OTTONE M3	BRASS NUT M3	ECROU LAITON M3	MESSING-MUTTER M3
5	15373106	DISTANZIALE PULSANTIERE 3T L.21	KEY SPACER 3T	ENTRETOISE TOUCHE 3T	DISTANZTASTE 3T
6	15373105	DISTANZIALE PULSANTIERE 7T	KEY SPACER 7T	ENTRETOISE TOUCHE 7T	DISTANZTASTE 7T
7	15182996	EPDM ESPANSO CN22 144x55x2	EPDM CN22 144x55x2	EPDM CN22 144x55x2	EPDM CN22 144x55x2
8	15373108	DISTANZIALE PULSANTIERE FEMMINA FEMMINA	KEY SPACER FEMALE-FEMALE	ENTRETOISE TOUCHE FEMALE-FEMALE	DISTANZTASTE
9	15373066	TASTO PULSANTIERE ELETTRONICHE NL NICHELAT	BLACK CHROMED KEY	TOUCHE CHROMEE NOIR	SCHWARZ CHROM TASTE
10	18371079	CIRCUITO STAMP.PULSANTIERA 7T	PRINTED CIRCUIT PUSH BUTTON 7T	CIRCUIT IMPRIME CLAVIER 7T	GEDRUCKTER SCHALTKREIS TASTATUREN 7T
11	15373107	DISTANZIATORE METRICO PULSANTIERE	KEY SPACER	ENTRETOISE TOUCHE	DISTANZTASTE
12	15373115	SCATOLA POSTERIORE PULSANTIERA	BOX PUSH BUTTON	BOITIER CLAVIER	GEHAUSE F.TASTENWAHLSCHALTER
13	83180020R	KIT PULSANTIERA SME LISA-R	TOUCHPAD KIT SME	ENSEMBLE CLAVIER SME	TASTATUREN SME GRUPPE
14	18371058	PULSANTE UNIPOLARE	SINGLE POLE PUSHBUTTON	BOUTON-POUSSOIR UNIPOLAIRE	EINPOLIGER TASTER



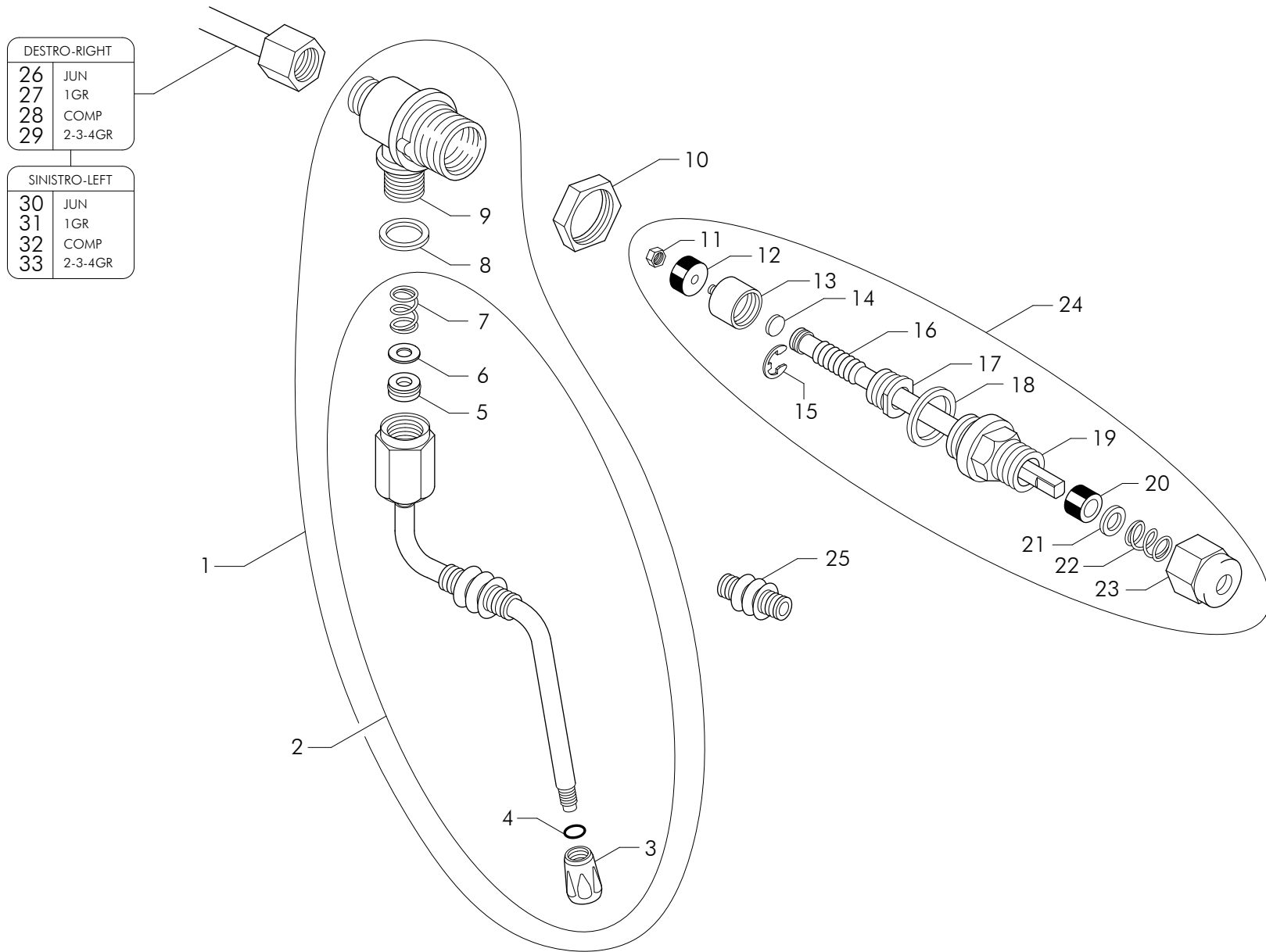
6 DOSI

Pos	Code	Denominazione - IT -	Denomination - EN -	Denomination - FR -	Denomination - DE -
1	15373067	TASTO PULSANTIERE MECCANICHE	BLACK CHROMED KEY	TOUCHE CHROMEE NOIR	SCHWARZ CHROM TASTE
2	77595000	PIASTRINA PORTA INTERRUTTORI	KEY SUPPORT	SUPPORT TOUCHE	TASTE SUPPORT
3	18371057	INTERRUTTORE BIPOLARE	TWO POLE SWITCH	INTERRUPTEUR BIPOLAIRE	ZWEIPOLIGER SCHALTER
4	23050	DADO OTTONE M3	BRASS NUT M3	ECROU LAITON M3	MESSING-MUTTER M3
5	15373106	DISTANZIALE PULSANTIERE 3T L.21	KEY SPACER 3T	ENTRETOISE TOUCHE 3T	DISTANZTASTE 3T
6	15373105	DISTANZIALE PULSANTIERE 7T	KEY SPACER 7T	ENTRETOISE TOUCHE 7T	DISTANZTASTE 7T
7	15182996	EPDM ESPANSO CN22 144x55x2	EPDM CN22 144x55x2	EPDM CN22 144x55x2	EPDM CN22 144x55x2
8	15373108	DISTANZIALE PULSANTIERE FEMMINA FEMMINA	KEY SPACER FEMALE-FEMALE	ENTRETOISE TOUCHE FEMALE-FEMALE	DISTANZTASTE
9	15373066	TASTO PULSANTIERE ELETTRONICHE NL NICHELAT	BLACK CHROMED KEY	TOUCHE CHROMEE NOIR	SCHWARZ CHROM TASTE
10	18371079	CIRCUITO STAMP.PULSANTIERA 7T	PRINTED CIRCUIT PUSH BUTTON 7T	CIRCUIT IMPRIME CLAVIER 7T	GEDRUCKTER SCHALTKREIS TASTATUREN 7T
11	15373107	DISTANZIATORE METRICO PULSANTIERE	KEY SPACER	ENTRETOISE TOUCHE	DISTANZTASTE
12	15373115	SCATOLA POSTERIORE PULSANTIERA	BOX PUSH BUTTON	BOITIER CLAVIER	GEHAUSE F.TASTENWAHLSCHALTER
13	83180021R	KIT PULSANTIERA SME LISA-R	TOUCHPAD KIT SME	ENSEMBLE CLAVIER SME	TASTATUREN SME GRUPPE
14	18371058	PULSANTE UNIPOLARE	SINGLE POLE PUSHBUTTON	BOUTON-POUSSOIR UNIPOLAIRE	EINPOLIGER TASTER



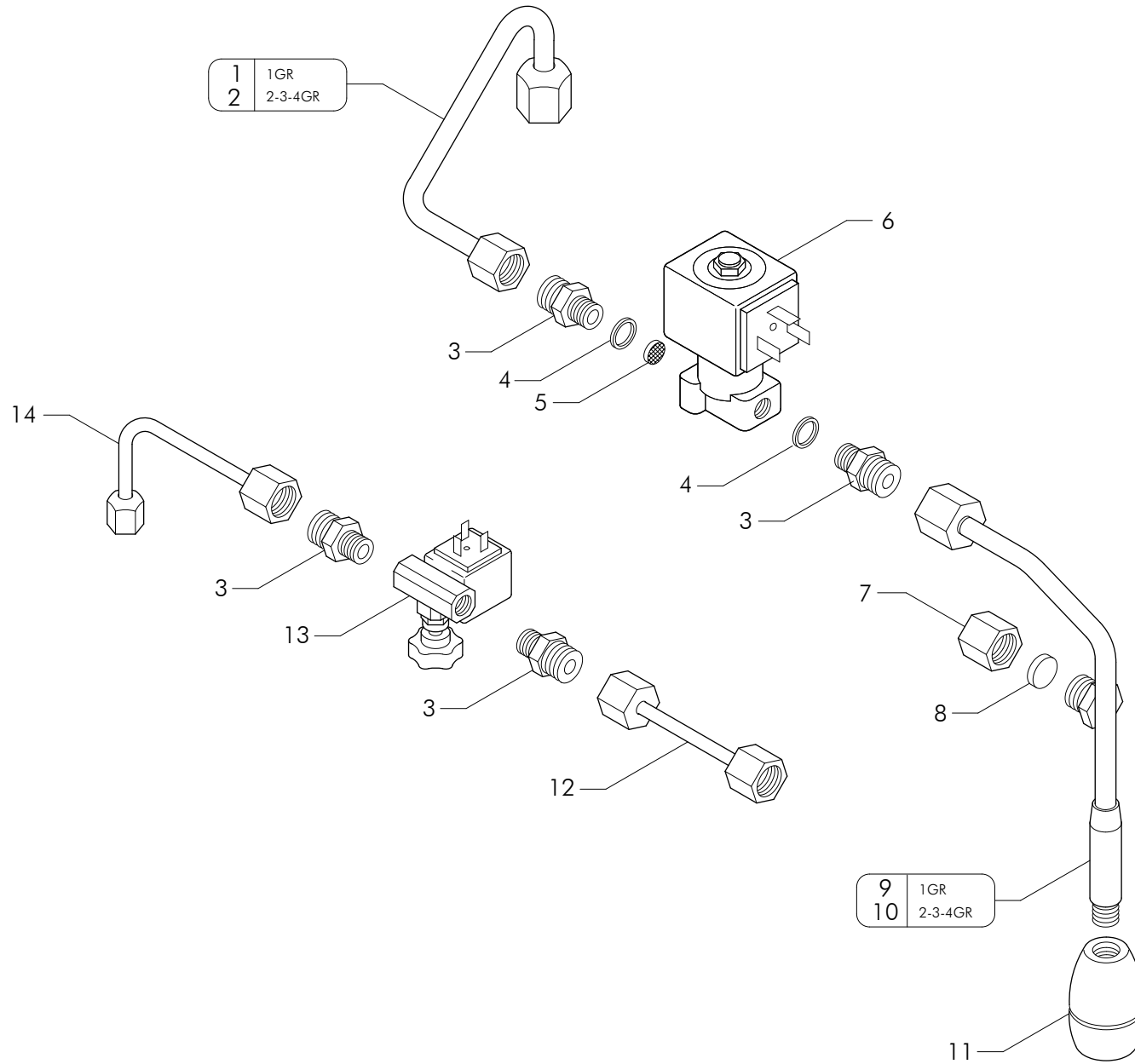
ASD + DS

Pos	Code	Denominazione - IT -	Denomination - EN -	Denomination - FR -	Denomination - DE -
1	15373115	SCATOLA POSTERIORE PULSANTIERA	BOX PUSH BUTTON	BOITIER CLAVIER	GEHAUSE F.TASTENWAHLSCHALTER
2	15373107	DISTANZIATORE METRICO PULSANTIERE	KEY SPACER	ENTRETOISE TOUCHE	DISTANZTASTE
3	18371079	CIRCUITO STAMP.PULSANTIERA 7T	PRINTED CIRCUIT PUSH BUTTON 7T	CIRCUIT IMPRIME CLAVIER 7T	GEDRUCKTER SCHALTKREIS TASTATUREN 7T
4	15373066	TASTO PULSANTIERE ELETTRONICHE NL NICHELAT	BLACK CHROMED KEY	TOUCHE CHROMEE NOIR	SCHWARZ CHROM TASTE
5	15373064	TASTO PULSANTIERE ELETTRONICHE GLORIA DORA	GOLDEN KEY	TOUCHE DORE	VERGOLDET TASTE
6	15373108	DISTANZIALE PULSANTIERE FEMMINA FEMMINA	KEY SPACER FEMALE-FEMALE	ENTRETOISE TOUCHE FEMALE-FEMALE	DISTANZTASTE
7	15182996	EPDM ESPANSO CN22 144x55x2	EPDM CN22 144x55x2	EPDM CN22 144x55x2	EPDM CN22 144x55x2
8	83180023R	KIT PULSANTIERA LATTE MACCHIATO	TOUCHPAD KIT LATTE MACCHIATO	ENSEMBLE CLAVIER LATTE MACCHIATO	TASTATUREN GRUPPE LATTE MACCHIATO
9	83180022R	KIT PULSANTIERA AUTOSTEAMER	TOUCHPAD KIT AUTOSTEAMER	ENSEMBLE CLAVIER AUTOSTEAMER	TASTATUREN GRUPPE AUTOSTEAMER
10	23050	DADO OTTONE M3	BRASS NUT M3	ECROU LAITON M3	MESSING-MUTTER M3
11	15373105	DISTANZIALE PULSANTIERE 7T	KEY SPACER 7T	ENTRETOISE TOUCHE 7T	DISTANZTASTE 7T

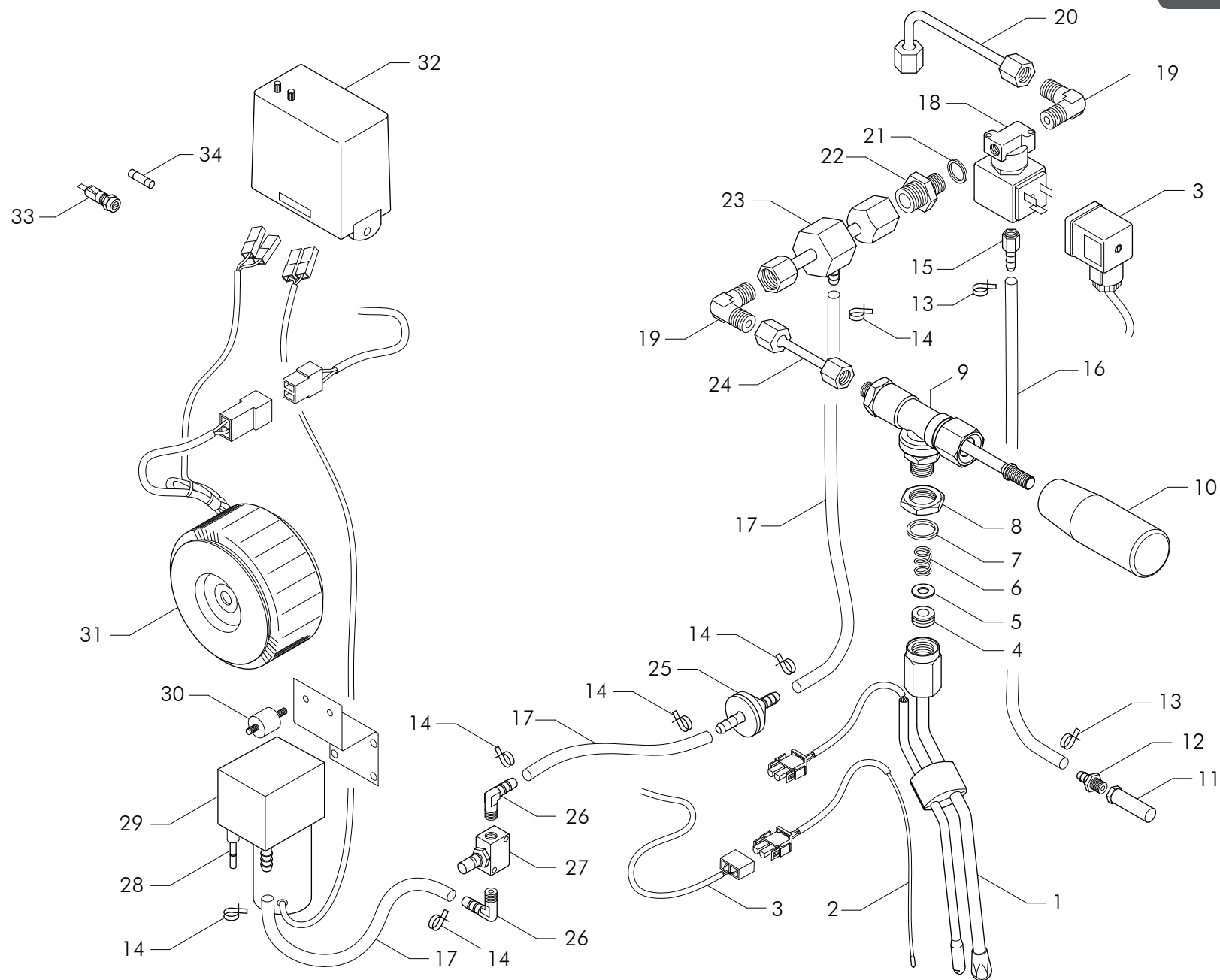


VAPORE - STEAM - VAPEUR - DAMPF

Pos	Code	Denominazione - IT -	Denomination - EN -	Denomination - FR -	Denomination - DE -
1	25763354	TUBO VAPORE INOX D.8 + CORPO	STEAM PIPE ASSEMBLY D.8	TUYAU VAPEUR D.8	DAMPFROHRSATZ D-8
2	25763116	TUBO VAPORE INOX D.8	STEAM PIPE ASSEMBLY D.8	TUYAU VAPEUR D.8	DAMPFROHRSATZ D-8
3	25763080	SPRUZZATORE VAPORE 4 FORI TUBO D.8	STEEL STEAM SPRAYER	VAPORISATEUR INOX	STAHLDAMPFER
4	12662000	GUARNIZIONE SPRUZZATORE	GASKET OR	JOINT OR	DICHTUNG OR
5	12661	GUARNIZIONE OR CON LUNETTA P.MOLLA	OR REST FOR ST.STEEL STEAM PIPE	OR LUNETTE P.RESSORT TUYAU VAP. INOX	HALBE OR-DICHT.F.FEDER DAMPFROHR ED
6	23260018	RONDELLA ELASTICA D-14,2 Sp.1	WASHER D-14,2	RONDELLE D-14,2	SCHEIBE D-14,2
7	10465001	MOLLA De 11,4 Df1,7 AISI 302	STEAM SPRING S.STEEL	RESSORT AISI	DAMPF HAHNFEDEN STAHL
8	12010	GUARNIZIONE TEFLON ACQUA/VAPORE 20x17x2	PIPE GASKET TEFLON 20x17x2	JOINT TUYAU TEFLON EAU/VAP TEFLON	TEFLON-DICHTUNG WASSER/VAP 20x17x2
9	53003	CORPO RUBINETTO	TAP BODY	CORPS DE ROBINET	HAHNKORPER
10	25384	DADO OTTONE M26x1.5	BRASS NUT 26X1.5	ECROU LAITON 26X1.5	MESSING-MUTTER 26X1.5
11	23050	DADO OTTONE M3	BRASS NUT M3	ECROU LAITON M3	MESSING-MUTTER M3
12	12203	GUARNIZIONE HNBR 15x4x4	RUBBER GASKET 15x4x4	JOINT EN CAOUTCHOUC 15X4X4	GUMMIDICHTUNG 15x4x4
13	25616	PISTONCINO RUBINETTO	TAP JUMPER	PISTON ROBINET	HAHNKOLBEN
14	25655052	DISCHETTO ASTA RUBINETTO	DISKETTE TAP ROS	DISQUETTE TIGE ROBINET	DISKETTE
15	10001	ANELLO ARRESTO D6 INOX	STEEL CIRCLIP	CIRCLIP INOX	STAHLHALTENRING
16	25312	ASTA RUBINETTO CROMATA L139	CHROMED TAP SHAFT	TIGE ROBINET CHROME	HAHNSTANGE CHROM
17	25461	GHIERA RUBINETTO	TAP RING NUT	EMBOUT ROBINET	HAHNZWINGE
18	12158	GUARNIZIONE 26x20.5x2	GASKET 26x20.5x2	JOINT 26x20.5x2	DICHTUNG 26x20.5x2
19	25678001	RACCORDO RUBINETTO	TAP FITTING	RACCORD ROBINET	HAHNANSCHLUSSTUCK
20	12204	GUARNIZIONE GOMMA RUBINETTO 12.5x7.5x9	TAP RUBBER GASKET 12.5x7.5x9	JOINT CAOUTCHOUC ROB. 12.5X7.5X9	HAHNDICHTUNG 12.5x7.5x9
21	25655	RONDELLA RUBINETTO	TAP WASHER	RONDELLE ROBINET	HAHNSCHEIBE
22	10452	MOLLA RUBINETTO ACQUA/VAPORE N4	WATER/STEAM TAP SPRING N4	RESSORT DE ROBINET EAU-VAPEUR N4	WASSER/DAMPF HAHNFEDER N4
23	25385001	DADO PREMISTOPPA RUBINETTO + RONDELLA	TAP STUFFING NUT	ECROU DE PRESSE-ETOUPE ROBINET	STOPFBUCHSE MUTTER - HAHN
24	56104R	ASSIEME RUBINETTO ACQUA/VAPORE	WATER/STEAM TAP UNIT BODY	ENSEMBLE ROBINET EAU/VAPEUR	WASSER/DAMPF ROHRSATZ
25	15296000	GOMMINO ANTISCOTTATURA D-8	ANTI-BURNING RUBBER D-8	ELEMENT ANTI-BRULURE D-8	GUMMI GEGEN VERBRENNUNGEN F. D-8
26	52000792	TUBO D-8 L.330	TUBE D-8 L.330	TUYAU D-8 L.330	ROHR D-8 L.330
27	52000416	TUBO D-10 L.270	TUBE D-10 L.270	TUYAU D-10 L.270	ROHR D-10 L.270
28	52000633	TUBO D-8 L.285	TUBE D-8 L.285	TUYAU D-8 L.285	ROHR D-8 L.285
29	52000407	TUBO D-10 L.290	TUBE D-10 L.280	TUYAU D-10 L.280	ROHR D-10 L.280
30	52000791	TUBO D-8 L.215	TUBE D-8 L.215	TUYAU D-8 L.215	ROHR D-8 L.215
31	52000416	TUBO D-10 L.270	TUBE D-10 L.270	TUYAU D-10 L.270	ROHR D-10 L.270
32	52000634	TUBO D-8 L.300	TUBE D-8 L.300	TUYAU D-8 L.300	ROHR D-8 L.300
33	52000406	TUBO D-10 L.310	TUBE D-10 L.310	TUYAU D-10 L.310	ROHR D-10 L.310

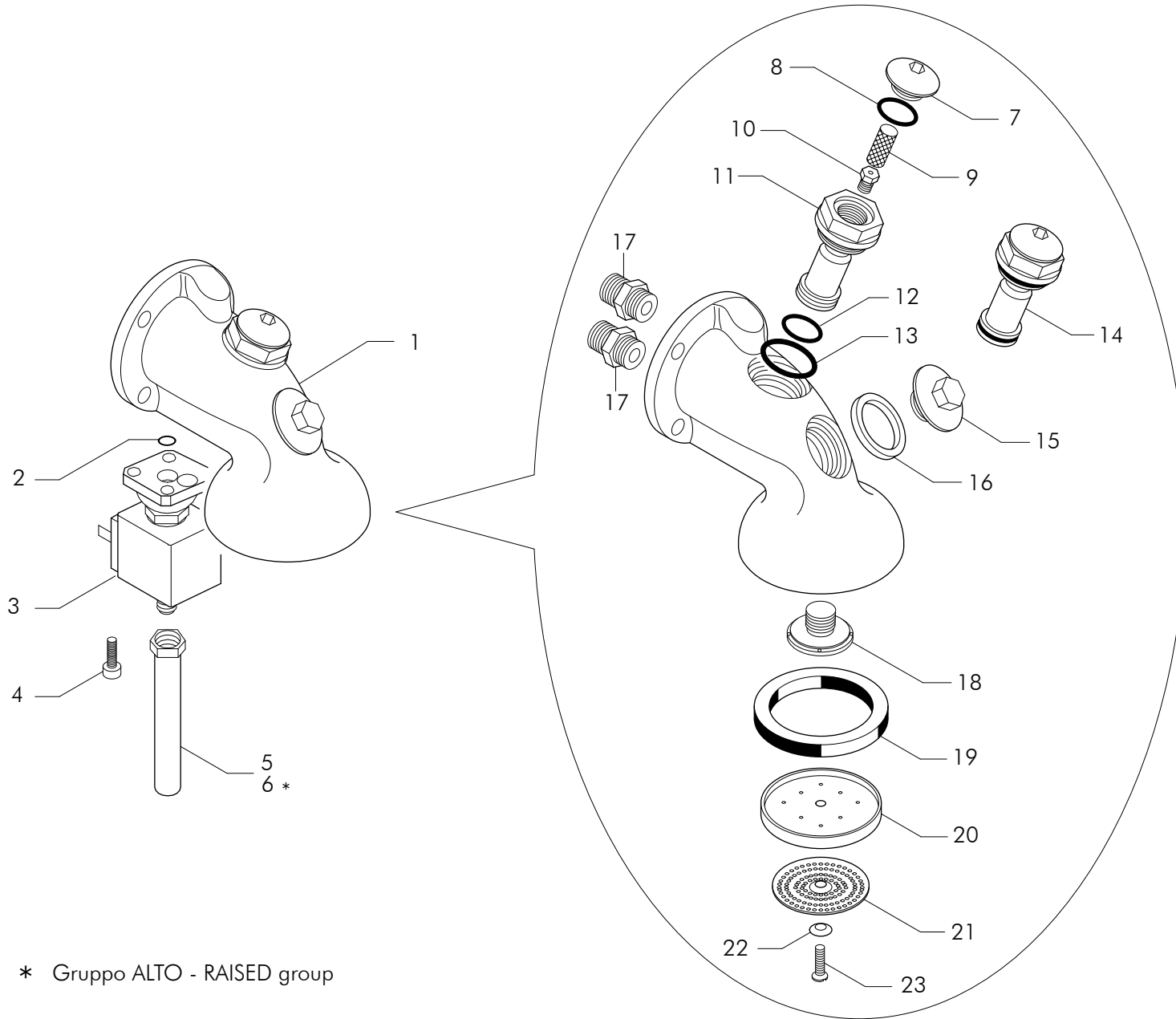


Pos	Code	Denominazione - IT -	Denomination - EN -	Denomination - FR -	Denomination - DE -
1	52000763	TUBO D-6 L.230	TUBE D-6 L.230	TUYAU D-6 L.230	ROHR D-6 L.230
2	52000409	TUBO D-8 L.265	TUBE D-8 L.265	TUYAU D-8 L.265	ROHR D-8 L.265
3	25707	RACCORDO 1/8x1/4	CONNECTOR 1/8x1/4	RACCORD 1/8x1/4	ANSCHLUSS 1/8x1/4
4	12155	GUARNIZIONE RAME 8.5x5x1	COPPER GASKET 8.5X5X1	JOINT CU 8.5X5X1	CU DICHTUNG 8.5x5x1
5	10251001	FILTRO IN ACCIAIO D-8 Sp.0,3	STEEL FILTER D-8 - 0.3 THICK	FILTRE EN ACIER D-8 Ep.0,3	STAHLFILTER D-8 Sp.0,3
6	4618162005	ELETTROVALVOLA AEA 220-240V 50-60Hz VDE/CW	SOL.VALVE WATER REFILL 220/240 50/60HZ	ELECTROVANNE REA 220/240V 50/60Hz VDE/	ELEKTROVENTIL AWZ 230/250 V 50/60 Hz
6	4618195	EL.AEA 110-120V/50-60Hz CW510L	SOL.VALVE WATER REFILL 110/120V 50/60HZ	ELECTROVANNE REA 110/120V 50/60Hz NSF	ELEKTROVENTIL AWZ 110/120V 50/60HZ NSF
7	25782	TAPPO FEMMINA 1/4 GAS	1/4 GAS FEMALE TAP	BOUCHON FEMELLE 1/4 GAZ	INNENANSCHLUSSSTOPSEL 1/4 GAS
8	12007	GUARNIZIONE KLINGERSIL4400	KLINGERSIL4400 SEAL	JOINT KLINGERSIL4400	DICHTUNG KLINGER SIL4400
9	52003012	TUBO D-8 L.95	TUBE D-8 L.95	TUYAU D-8 L.95	ROHR D-8 L.95
10	56119071	ASSIEME TUBO H2O FISSA GL 125/A	WATER PIPE GL125/A	TUYAU EAU GL125/A	ROHR WASSER GL125/A
11	25763002	SPRUZZATORE ACQUA INOX FISSO	S.STEEL WATER NOZZLE	ATOMISEUR D' EAU INOX	WASSERDAMPFER
12	52000649	TUBO D-6 L.180	TUBE D-6 L.180	TUYAU D-6 L.180	ROHR D-6 L.180
13	18161986	ELETTROVALVOLA AEA UL 120V 60Hz	AEA SOLENOID VALVE 120V 60Hz UL	ELECTROVANNE AEA 120V 60Hz UL	ELEKTROVENTIL AEA 120V 60Hz UL
13	18161988	ELETTROVALVOLA AEA REGOL.230V 50Hz	AEA SOLENOID VALVE ADJUST.230V 50HZ	ELECTROVANNE AEA REGLAGE 230V 50Hz	ELEKTROVENTIL AEA EINSTELLUNG 230V 50Hz
14	52000644	TUBO D-8 L.390	TUBE D-8 L.390	TUYAU D-8 L.390	ROHR D-8 L.390

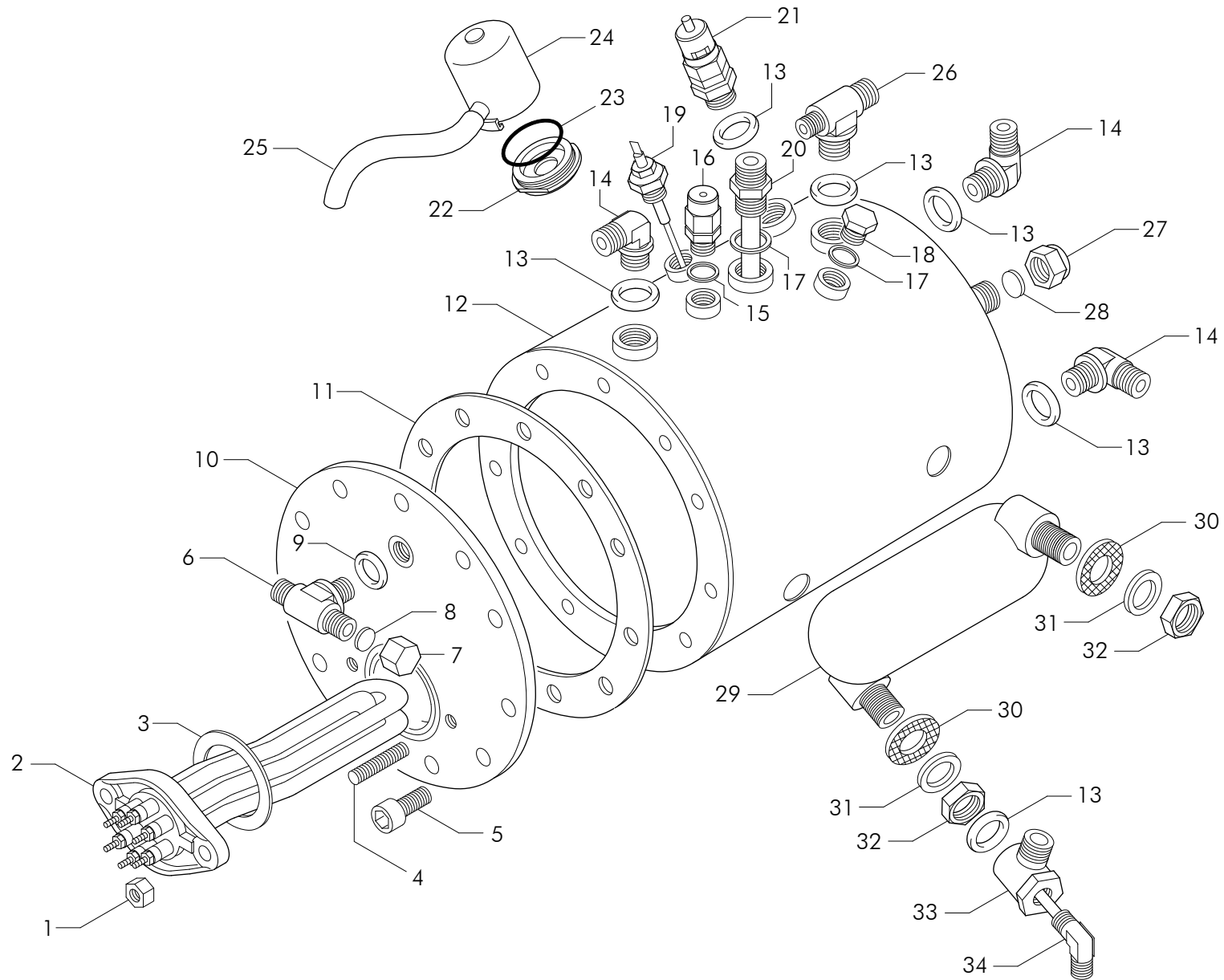


AUTOSTEAMER

Pos	Code	Denominazione - IT -	Denomination - EN -	Denomination - FR -	Denomination - DE -
1	25763152	KIT LANCIA-SONDA PER AUTOSTEAMER	KIT OF STEAM WAND+PROBE FOR AUTOSTEANER	KIT LANCE+SONDE POUR AUTOSTEAMER	DAMPFROHR+SUNDE FUER AUTOM.DAMPF
2	22715828	CABLAGGIO SONDA AUTOSTEAMER	CABLE PROBE AUTOMATIC STEAMER	CABLE FICHE VAPEUR AUTOMATIQUE	KABEL ME?SPITZE AUT.DAMPF
3	22715882	CABLAGGIO AUTOSTEAMER '09 2>4GR UL	CABLE AUTOSTEAMER	CABLE AUTOSTEAMER	KABEL AUTOSTEAMER
4	12661	GUARNIZIONE OR CON LUNETTA P.MOLLA	OR REST FOR ST.STEEL STEAM PIPE	OR LUNETTE P.RESSORT TUYAU VAP. INOX	HALBE OR-DICHT.F.FEDER DAMPFROHR ED
5	25657	RONDELLA MOLLA VAPORE	STEAM SPRING WASHER	RONDELLE RESSORT VAPEUR	SCHEIBE FUR DAMPFEDER
6	10452	MOLLA RUBINETTO ACQUA/VAPORE N4	WATER/STEAM TAP SPRING N4	RESSORT DE ROBINET EAU-VAPEUR N4	WASSER/DAMPF HAHNFEDER N4
7	12010	GUARNIZIONE TEFLON ACQUA/VAPORE 20x17x2	PIPE GASKET TEFLON 20x17x2	JOINT TUYAU TEFLON EAU/VAP TEFLON	TEFLON-DICHTUNG WASSER/VAP 20x17x2
8	25384003	DADO 18x1.5 OTTONE RUBINETTO A LEVA	BRASS NUT 18x1.5	ECROU LAITON 18x1.5	MESSING-MUTTER 18x1.5
9	20233022	RUBINETTO AUTOSTEAMER	AUTOSTEAMER TAP	ROBINET AUTOSTEAMER	AUTOSTEAMER HAHN
10	15278056	MANOPOLA COMPLETA RUBINETTO A LEVA	FULL KNOB LEVER	BOUTON COMPLET ROBINET A LEVIER	VOLLKNOPF EINHEBEL MISCHER
11	23055001	DADO ROMPIGETTO ES 14x27 OT/Cr	DIFFUSER NUT ES 14x27	ECROU BRISE-JET ES 14x27	MUTTER ES 14x27
12	23221002	PORTAGOMMA ES14 Cr SCARICO BACINELLA	HOSE CONNECTION ES14 Cr	PORTE-CAOUTCHOU ES14 Cr	GUMMIHALTER ES14 Cr
13	15056000	FASCETTA BIFILARE A MOLLA D.7,8-8,3	CLAMP D.7,8-8,3	COLLIER D.7,8-8,3	SHELLE D.7,8-8,3
14	15056001	FASCETTA BIFILARE A MOLLA D.8,8-9,3	CLAMP D.8,8-9,3	COLLIER D.8,8-9,3	SHELLE D.8,8-9,3
15	23228018	RACCORDO DRITTO 1/8F + PORTAGOMMA	CONNECTOR 1/8F	RACCORD 1/8F	ANSCHLUSS 1/8F
16	15477011	TUBO SILICONE 5x8	SILICONE TUBE 5x8	TUYAU SILICONE 5x8	SILIKONROHR 5x8
17	15477012	TUBO SILICONE PLATINICO 3x7 Kg/mt 0,038	SILICONE TUBE 3X7	TUBE EN SILICONE 3x7 0.038 Kg/Mt	TUBO SILICONE PLATINICO 3x7 Kg/mt 0,038
18	4618161976	ELETTROVALVOLA 3VIE 1/4 D-3,2 230V	SOLENOID VALVE 1/4-3,2 230V/50 ETL4	ELECTROVANNE 1/4-3,2 230V ETL4	MAGNETVENTIL 1/4 D-3,2 230V ETL4
19	23203	RACCORDO OTT.GOM.D6.2 1/4x1/4 CON	ELBOW BRASS CONNECTOR D6.2 1/4X1/4	RACCORD COUDE LAITON D6.2 1/4X1/4	MESSING-ANSCHLUSS D6.2 1/4x1/4
20	52000755	TUBO D-8 L.125	TUBE D-8 L.125	TUYAU D-8 L.125	ROHR D-8 L.125
21	12153	GUARNIZIONE RAME 1/4 17x13.3x1.5	GASKET 1/4 17x13.3x1.5 COPPER	JOINT CUIVRE 1/4 17x13.3x1.5	KUPFERDICHTUNG 1/4 17x13.3x1.5
22	25716	RACCORDO 3/8x1/4	3/8x1/4 FITTING	RACCORD 3/8x1/4	ANSCHLUSS 3/8x1/4
23	25763155	INTERFACCIA EV VAPORE-CORPO RUBINETTO INOX	INTERFACE STEAM SOLENOID VALVE-TAP BODY	INTERFACE ELECTROVANNE VAP.-CORPS DE	SCHNITTSTELLE DAMPFVENTIL-HAHNKORPER
24	52003074	TUBO D-8 L.35	TUBE D-8 L.35 SP46	TUYAU D-8 L.35 SP46	ROHR D-8 L.35 SP46
25	20358006	VALVOLA NON RITORNO IN PLASTICA	CHECK VALVE	SOUPAPE DE NON RETOUR	ABSPERRVENTIL
26	23216	RACCORDO GOM.1/8M.CONICO+PORTAGOMMA D-6 >V	CONICAL ELBOW CONNECTOR 1/8	RACCORD COUVE CONIQUE 1/8	KONISCHES FITTING 1/8
27	30499	REGOLATORE ARIA	AIR REGULATOR	REGULATEUR DE AIRE	REGLER
28	25789321	GICLEUR D.0,5 INOX	GIGLEUR 0,5	GICLEUR D-0,5	DUSE D-0,5
29	26319010	MICROPOMPA NMP 830 KNDC 24VDC	MICROPUMP NMP 830 KNDC 24VDC	POMPE MICRO NMP 830 KNDC 24VDC	MIKROPUMPE NMP 830 KNDC 24VDC
30	15105	GOMMA AMMORTIZZATORE	RUBBER FOR MOTOR	CAOUTCHOU POUR MOTEUR	GUMMI x MOTOR
31	18563006	TRASFORMATORE TOROIDALE 20VA 2x12V	TRANSFORMATOR 20VA	TRASFORMATOR 20VA	TRANSFORMATOR 20VA
32	18080006	CENTRALINA DOPPIO CTR.POMP. INGRANAGGI	GEAR PUMP CONTROL	CENTRALE DE CONTROLE DE POMPE	PUMPE-STEUERGERAT
33	19109001	FUSIBILE 3AG-T1A CSA/UL 6.3x32mm	FUSE 3AG-T1A CSA/UL 6.3x32mm	FUSIBLE 3AG-T1A CSA/UL 6.3x32mm	SCHMELZSICH.3AG-T1A CSA/UL 6.3x32mm
34	19123	PORTAFUSIBILE 15A 250V UR CSA	FUSE HOLDER 15A	PORTE-FUSIBLE 15A	SICHERUNGSHALTER 15A



Pos	Code	Denominazione - IT -	Denomination - EN -	Denomination - FR -	Denomination - DE -
1	56082106	GRUPPO CTS 2003 NEUTRO	NEUTRAL CTS GROUP 2003	GROUPE CTS 2003 NEUTRE	GRUPPE CTS 2003 NEUTRAL
2	12305	GUARNIZIONE OR	O RING	JOINT OR	O-RINGDICHT
3	834718151R	KIT EV GRP 230V	GROUP SOLENOID VALVE 230V KIT	KIT GROUP ELECTROVANNE 230V	KIT MAGNETVENTIL GRUPPE 230V
3	834718181015R	KIT EV GRP 120V	GROUP SOLENOID VALVE 120V KIT	KIT ELECTROVANNE GROUPE 120V	MAGNETVENTIL GRUPPE KIT 120V
4	23551	VITE TCEI INOX 4x12 UNI 5931 DIN912	STEEL SCREW TCCE 4x12 UNI 5931	VIS INOX TCCE 4x12 UNI 5931	STAHLSCRAUBE TCCE 4x12 UNI 5931
5	52000168	TUBO D-12 L.92	TUBE D-12 L.92	TUYAU D-12 L.92	ROHR D-12 L.92
6	52000194	TUBO D-12 L.132	TUBE D-12 L.132	TUYAU D-12 L.132	ROHR D-12 L.132
7	25789306	TAPPO PORTA GIGLEUR GRUPPO CTS 03	CAP GROUP JET	BOUCHON GIGLEUR	STOPFEN EINSPRITZDUSE
8	12336000	GUARNIZIONE ORM 0170-30 NBR Di17x3	GASKET ORM 0170-30 HNBR 70Sh	JOINT ORM 0170-30 HNBR 70Sh	DICHTUNG ORM 0170-30 HNBR 70Sh
9	10253	FILTRO GIGLER	JET FILTER	FILTRE GICLEUR	DUSE FILTER
10	10300001	GIGLER OTT. x GRUPPO D 0.7	BRASS GROUP JET D 0.7	GIGLEUR LAITON POUR GROUPE D 0.7	VERMESSINGTE GRUPPENDUSE D 0.7
11	25739502	PORTAGIGLER GRUPPO CTS 03	NOZZLE HOLDER GROUP CTS 03	PORTE-GICLEUR GROUPE CTS 03	DUSEHALTER GRUPPE CTS 03
12	12300026	GUARNIZIONE OR	O RING GASKET	JOINT OR	OR DICHTUNG
13	12336001	GUARNIZIONE NBR Di25x4	GASKET NBR Di 25x4	JOINT NBR Di 25x4	DICHTUNG NBR Di 25x4
14	56130001	ASSIEME PORTAGIGLER GRUPPO CTS 03	ASSEMBLY NOZZLE HOLDER GROUP CTS 03	PORTE-GICLEUR GROUPE CTS 03	DUSEHALTER GRUPPE CTS 03R
15	25789305	TAPPO CAMERA PREINFUSIONE GRUPPO CTS 03	CAP GROUP JET	BOUCHON GIGLEUR	STOPFEN EINSPRITZDUSE
16	12012006	GUARNIZIONE TEFLON 33x28x4 GRUPPO CTS 03	GASKET TEFLON 33x28x4 GROUP CTS 03	JOINT TEFLON 33x28x4 GROUPE CTS 03	TEFLON DICHTUNG 33x28x4 GRUPPE CTS 03
17	25687002	RACCORDO 3/8x3/8 GAS GRP CTS 03	CONNECTOR 3/8x3/8 CTS 03 UNIT	RACCORD 3/8x3/8 GR. CTS 03	ANSCHLUSS 3/8x3/8 CTS 03
18	25422008	DIFFUSORE GRUPPO CTS	GROUP DIFFUSER	DIFFUSEUR GROUPE	GRUPPE VERTEILER
19	12215	GUARN.GOMMA S.COPPA 72x56x8.5 MAGGIOR.	LARGER SIZED FILTER SUPPORT RUBBER	JOINT CAOUTCHOU C SOUCOUCPE 72x56x8.5	FILTERHALTER-GUMMIDICHTUNG 72x56x8 GROSS
19	12217	GUARN.GOMMA S.COPPA 72x56x8 NORMALE	STANDARD SIZE FILTER SUPPORT GASKET	JOINT CAOUTCHOU C SOUCOUCPE 72x56x8 N	FILTERHALTER-GUMMIDICHTUNG 72x56x8 NOR
20	25627	PORTADOCETTA GRUPPO EROGAZIONE	WATER SPOUT UNIT SUPPORT	PORTE-DOUCHETTE GROUPE DISTRIBUTION	DUSCHTRAGER VERSORGUNGSEINHEIT
21	27100	DOCETTA GRUPPO	GROUP SHOWER PLATE	DOUCHETTE GROUPE	DUSCHE VERTEILEREINHEIT
22	23260014	RONDELLA INOX 12x5	INOX WASHER 12X5	RONDELLE INOX 12x5	STAHL SCHEIBE 12x5
23	23514	VITE TPS INOX 5x20 TAGLIO CACC.	5x20 STAINLESS STEEL FLATHEAD SCREW	VIS TPS INOX 5x20 DE TOURNEVIS	SCHRAUBE TPS rostfrei5x20 SCHRAUBEN

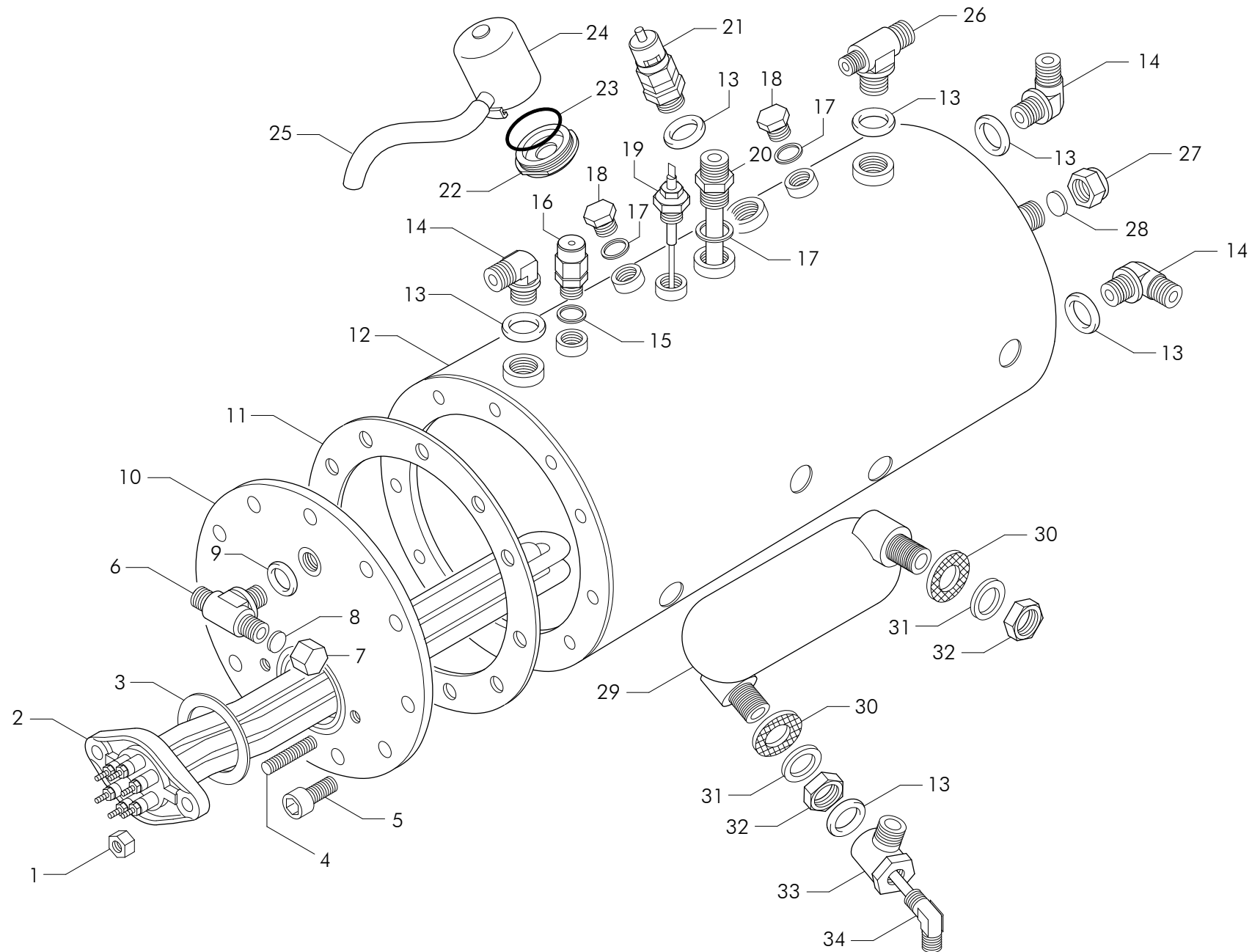


1GR

Pos	Code	Denominazione - IT -	Denomination - EN -	Denomination - FR -	Denomination - DE -
1	23049	DADO OTTONE M8	BRASS NUT M8	ECROU LAITON M8	MESSING-SCHRAUBENMUTTER M8
2	17001	RESISTENZA 1GR 4P 120V 2000W	HEATING ELEMENT 1GR 110V-2000W	RESISTANCE ELECTRIQUE 1GR 110V2000W	HEIZKORPER 1 GR 110V 2000W
2	4617012	RESISTENZA 1GR 6P 230/240V 2700/2940W	HEATING ELEM.1GR 230/240V 2700/2940W	RESISTANCE 1GR 230/240V 2700/2940W	HEIZKORPER 1GR 230/240V 2700/2940W
3	12001	GUARNIZIONE TEFLON 58x43x2	TEFLON GASKET 58x43x2	JOINT TEFLON 58x43x2	TEFLON DICHTUNG 58x23x2
4	23133	PRIGIONIERO INOX 8x40	STAINLESS STEEL BOLT 8x40	VIS INOX 8x40	STAHLSCHRAUBE 8x40 8x40
5	23556	VITE TCEI INOX 10x20	STEEL SCREW TCCE 10X20	VIS INOX TCCE 10X20	STAHLSCHRAUBE TCCE 10x20
6	43060	RACCORDO 1/4x1/4x1/4 T	'T' CONNECTOR 1/4 + 1/4 + 1/4	RACCORD 'T' 1/4 + 1/4 + 1/4	T'-ANSCHLUSS 1/4+1/4+1/4
7	25782	TAPPO FEMMINA 1/4 GAS	1/4 GAS FEMALE TAP	BOUCHON FEMELLE 1/4 GAZ	INNENANSCHLUSSSTOPSEL 1/4 GAS
8	12007	GUARNIZIONE KLINGERSIL4400	KLINGERSIL4400 SEAL	JOINT KLINGERSIL4400	DICHTUNG KLINGER SIL4400
9	12100	GUARNIZIONE CU/ALIM 1/4 18.7x13.2x2.5	CU GASKET 1/4 18.7X13.2X2.5	JOINT CU 1/4 18.7X13.2X2.5	CU DICHTUNG 1/4 18.7x13.2x2.5
10	53011	FLANGIA	FLANGE	BRIDE	FLANSCH
11	12003	GUARNIZIONE CALDAIA	BOILER GASKET	JOINT CHAUDIERE	KESSELDICHTUNG
12	62801503	CALDAIA 1GR	BOILER 1GR	CHAUDIERE 1GR	KESSEL 1GR CTS
13	12101	GUARNIZIONE RAME 3/8 22x17x3	GASKET COPPER 3/8 22x17x3	JOINT CUIVRE 3/8 22x17x3	KUPFERDICHTUNG 3/8 22x17x3
14	43052	RACCORDO "L" 3/8	CONNECTOR 'L' 3/8	RACCORD 'L' 3/8	ANSCHLUSS 'L' 3/8
15	12153	GUARNIZIONE RAME 1/4 17x13.3x1.5	GASKET 1/4 17x13.3x1.5 COPPER	JOINT CUIVRE 1/4 17x13.3x1.5	KUPFERDICHTUNG 1/4 17x13.3x1.5
16	56150	VALVOLA ANTIRISUCCHIO V.A.R.	ANTI-EDDY VALVE V.A.R.	SOUPAPE ANTI-DEPRESSION V.A.R.	VENTIL UNTERDRUCKFREI V.A.R.
17	12154	GUARNIZIONE CU 3/8 22x17x1.5	GASKET COPPER 3/8 22x17x1,5	JOINT CUIVRE 3/8 22x17x1.5	KUPFERDICHTUNG 3/8 22x17x1.5
18	25785	TAPPO MASCHIO 3/8	MALE CAP 3/8	BOUCHON MALE 3/8	STOPFEN 3/8
19	20251	SONDA LIVELLO L.125	LEVEL PROBE L.125	JAUG L.125	PEGELFUHLER L.125
20	52001612	TUBO D-10 L.115	TUBE D-10 L.115	TUYAU D-10 L.115	ROHR D-10 L.115
21	20352	VALVOLA DI SICUREZZA *CE*	*CE* SAFETY VALVE	SOUPAPE DE SECURITE *CE*	SICHERHEITSVENTIL *CE*
22	15006001	FLANGIA VALVOLA SICUREZZA	FLANGE VALVE	JOINT VANNE	FLANSCH VENTIL
23	12300000	GUARNIZIONE OR	GASKET O RING	JOINT OR	OR DICHTUNG
24	56009980	ASSIEME PROTEZIONE VALVOLE SICUREZZA	UNIT PROTECTION VALVE	ENSEMBLE PROTECTION VANNE	SATZ-SCHUTZGITTER VENTIL
25	15478002	TUBO SILICONE 8x11 L.70cm	SILICONE TUBE 8x11 L.70cm	TUYAU SILICONE 8x11 L.70cm	SILIKONROHR 8x11 L.70cm
26	43033	RACCORDO "T" 3/8x3/8x1/4	3/8x3/8x1/4 T FITTING	RACCORD "T" 3/8x3/8x1/4	ANSCHLUSS 3/8x3/8x1/4 T
27	25781	TAPPO FEMMINA 3/8	FEMALE CAP 3/8	BOUCHON FEMELLE 3/8	STOPFEN 3/8
28	12402	GUARNIZIONE PASTICCA 15x3	GASKET 15x3	JOINT 15x3	DICHTUNG 15x3
29	63200002	SCAMBIATORE CIRC.TERMOSIFONICA D-80	EXCHANGER WITH THERMOSIPH.CIRCULATI D-80	ECHANG. CIRCUL. A THERMOSIPHON D-80	AUSTAUSCHER MIT ROHREN D-80
30	12005	GUARNIZIONE 28x17x2	GASKET 28X17X2	JOINT 28X17X2	DICHTUNG 28x17x2
31	25651	RONDELLA OTTONE 3/8	BRASS WASHER 3/8	RONDELLE LAITON 3/8	MESSINGSCHIEBE 3/8
32	25356	CONTRODADO OTTONE 3/8	BRASS LOCK NUT 3/8	CONTRE-ECROU LAITON 3/8	MESSING-GEGENMUTTER 3/8
33	43030001	RACCORDO INIETTORE 3/8Fx3/8Mx14F	3/8Fx3/8Mx14F INJECTOR FITTING	RACC. INJECTEUR 3/8Fx3/8Mx14F	ANSCHLUSS EINSPRITZER 3/8Fx3/8Mx14F
34	52000410	TUBO D-6 L.85	TUBE D-6 L.85	TUYAU D-6 L.85	ROHR D-6 L.85

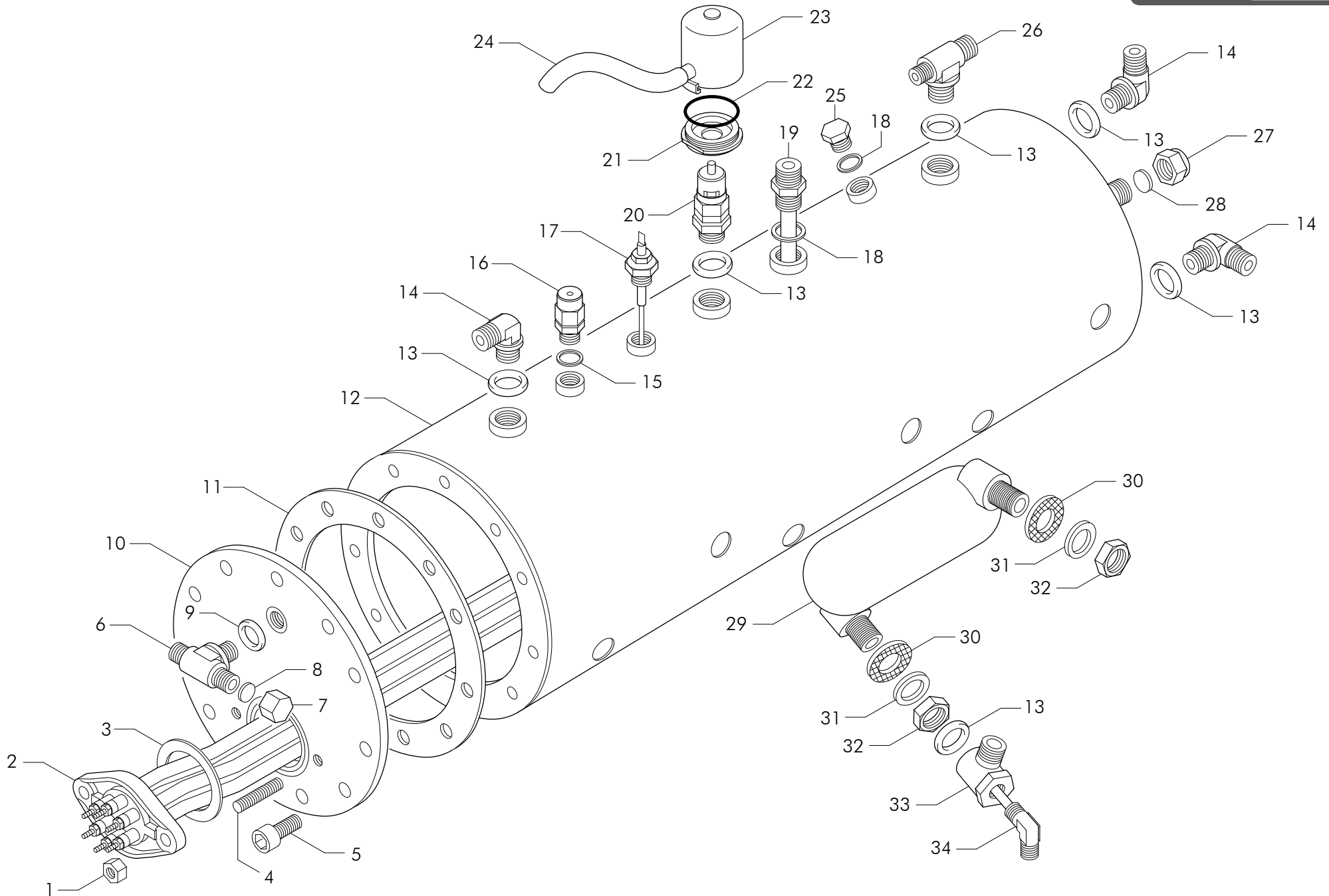
COMPATTA

Pos	Code	Denominazione - IT -	Denomination - EN -	Denomination - FR -	Denomination - DE -
1	4617017	RESISTENZA 6P 230/400V 3400W AK/AKC CW510L	HEATING ELEMENT 230/400V 3400W AK/AKC	RESISTANCE 6P 230/400V 3400W AK/AKC	6POL.HEIZKORPER 230/400V 3400W AK/AKC
2	12001	GUARNIZIONE TEFLON 58x43x2	TEFLON GASKET 58x43x2	JOINT TEFLON 58x43x2	TEFLON DICHTUNG 58x23x2
3	62099003	CALDAIA 2GR 7 LITRI SC.PASS.D-60	2GR 7-LITRE BOILER	CHAUDIERE 2GR 7 LITRES	KESSEL 2 EINHEITEN 7 LITER
4	12154	GUARNIZIONE CU 3/8 22x17x1.5	GASKET COPPER 3/8 22x17x1,5	JOINT CUIVRE 3/8 22x17x1.5	KUPFERDICHTUNG 3/8 22x17x1.5
5	52001612	TUBO D-10 L.115	TUBE D-10 L.115	TUYAU D-10 L.115	ROHR D-10 L.115
6	12105	GUARNIZIONE CU/ALIM 1/2 GAS	CU GASKET 1/2 GAS	JOINT CU 1/2 GAZ	CU DICHTUNG 1/2 GAS
7	23214	RACCORDO -L- 1/2"	CONNECTOR 1/2 L	RACCORD 1/2 L	FITTING 1/2 L
8	25686	RACCORDO 1/4x1/4	CONNECTOR 1/4 x 1/4	RACCORD 1/4 x 1/4	ANSCHLUSS 1/4x1/4
9	12153	GUARNIZIONE RAME 1/4 17x13.3x1.5	GASKET 1/4 17x13.3x1.5 COPPER	JOINT CUIVRE 1/4 17x13.3x1.5	KUPFERDICHTUNG 1/4 17x13.3x1.5
10	12101	GUARNIZIONE RAME 3/8 22x17x3	GASKET COPPER 3/8 22x17x3	JOINT CUIVRE 3/8 22x17x3	KUPFERDICHTUNG 3/8 22x17x3
11	20352	VALVOLA DI SICUREZZA *CE*	*CE* SAFETY VALVE	SOUPAPE DE SECURITE *CE*	SICHERHEITSVENTIL *CE*
12	56150	VALVOLA ANTIRISUCCHIO V.A.R.	ANTI-EDDY VALVE V.A.R.	SOUPAPE ANTI-DEPRESSION V.A.R.	VENTIL UNTERDRUCKFREI V.A.R.
13	20251	SONDA LIVELLO L.125	LEVEL PROBE L.125	JAUG L.125	PEGELFUHLER L.125
14	25687	RACCORDO 3/8x3/8 GAS	3/8x3/8 GAS FITTING	RACCORD 3/8x3/8 GAZ	ANSCHLUSS 3/8x3/8 GAS
15	23215	RACCORDO 1/2 -T-	CONNECTOR -T- 1/2	RACCORD 1/2 -T-	FITTING 1/2 "T"
16	52002788	TUBO D-6 L.85 1-4GR	TUBE D6 L85 1-4GR	TUYAU D-6 L.85 1-4GR	ROHR D-6 L.85
17	23132001	PRIGIONIERO INOX M8	M8 STAINLESS STEEL BOTTOM STUD	PRISONNIER INOX M8	STIFTSCHRAUBE EDELSTAHL M8
18	23049	DADO OTTONE M8	BRASS NUT M8	ECROU LAITON M8	MESSING-SCHRAUBENMUTTER M8
19	15006001	FLANGIA VALVOLA SICUREZZA	FLANGE VALVE	JOINT VANNE	FLANSCH VENTIL
20	12300000	GUARNIZIONE OR	GASKET O RING	JOINT OR	OR DICHTUNG
21	56009980	ASSIEME PROTEZIONE VALVOLE SICUREZZA	UNIT PROTECTION VALVE	ENSEMBLE PROTECTION VANNE	SATZ-SCHUTZGITTER VENTIL
22	15478002	TUBO SILICONE 8x11 L.70cm	SILICONE TUBE 8x11 L.70cm	TUYAU SILICONE 8x11 L.70cm	SILIKONROHR 8x11 L.70cm
23	56131	ASSIEME RACCORDO 23214 + GU CU 12105	UNIT FITTING 23214 + GASKET CU 12105	ENSEMBLE RACCORD 23214 + JOINT CU 12105	ANSCHLUSS 23214 + CU DICHTUNG 12105
24	56132	ASS. RACCORDO 23215 + GU CU 12105	UNIT FITTING 23215 + GASKET CU 12105	ENSEMBLE RACCORD 23215 + JOINT CU 12105	ANSCHLUSS 23215 + CU DICHTUNG 12105



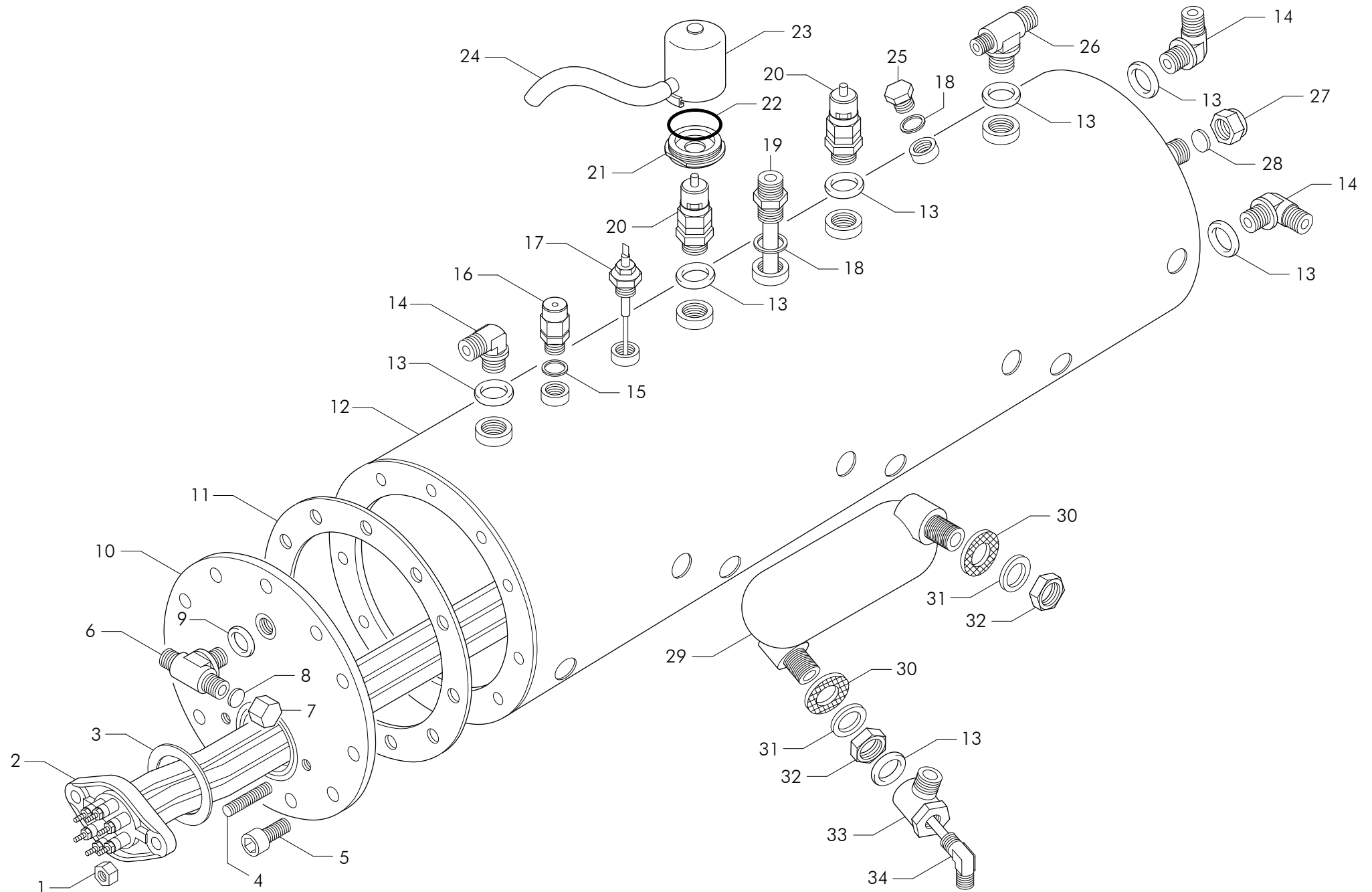
2GR

Pos	Code	Denominazione - IT -	Denomination - EN -	Denomination - FR -	Denomination - DE -
1	23049	DADO OTTONE M8	BRASS NUT M8	ECROU LAITON M8	MESSING-SCHRAUBENMUTTER M8
2	4617050	RESISTENZA 2GR 4P 120V 2600W	HEATING ELEM. 2GR 4P 120V 2600W	RESISTANCE 2GR 4P 120V 2600W	HEIZKORPER 2GR 4P 120V 2600W
2	4617059	RESISTENZA 2GR 230/240V 3400/3700W	HEATING EL.2GR 220/240V 3400/3700W	RESISTANCE 2GR 220/240V 3400/3700W	HEIZKORPER 2GR 220/240V 3400/3700W
3	12001	GUARNIZIONE TEFLON 58x43x2	TEFLON GASKET 58x43x2	JOINT TEFLON 58x43x2	TEFLON DICHTUNG 58x23x2
4	23133	PRIGIONIERO INOX 8x40	STAINLESS STEEL BOLT 8x40	VIS INOX 8x40	STAHLSCHRAUBE 8x40 8x40
5	23556	VITE TCEI INOX 10x20	STEEL SCREW TCCE 10X20	VIS INOX TCCE 10X20	STAHLSCHRAUBE TCCE 10x20
6	43060	RACCORDO 1/4x1/4x1/4 T	'T' CONNECTOR 1/4 + 1/4 + 1/4	RACCORD 'T' 1/4 + 1/4 + 1/4	T'-ANSCHLUSS 1/4+1/4+1/4
7	25782	TAPPO FEMMINA 1/4 GAS	1/4 GAS FEMALE TAP	BOUCHON FEMELLE 1/4 GAZ	INNENANSCHLUSSSTOPSEL 1/4 GAS
8	12007	GUARNIZIONE KLINGERSIL4400	KLINGERSIL4400 SEAL	JOINT KLINGERSIL4400	DICHTUNG KLINGER SIL4400
9	12100	GUARNIZIONE CU/ALIM 1/4 18.7x13.2x2.5	CU GASKET 1/4 18.7X13.2X2.5	JOINT CU 1/4 18.7X13.2X2.5	CU DICHTUNG 1/4 18.7x13.2x2.5
10	53011	FLANGIA	FLANGE	BRIDE	FLANSCH
11	12003	GUARNIZIONE CALDAIA	BOILER GASKET	JOINT CHAUDIERE	KESSELDICHTUNG
12	62801603	CALDAIA 2GR	BOILER 2GR	CHAUDIERE 2GR	KESSEL 2GR CTS
13	12101	GUARNIZIONE RAME 3/8 22x17x3	GASKET COPPER 3/8 22x17x3	JOINT CUIVRE 3/8 22x17x3	KUPFERDICHTUNG 3/8 22x17x3
14	43052	RACCORDO "L" 3/8	CONNECTOR 'L' 3/8	RACCORD 'L' 3/8	ANSCHLUSS 'L' 3/8
15	12153	GUARNIZIONE RAME 1/4 17x13.3x1.5	GASKET 1/4 17x13.3x1.5 COPPER	JOINT CUIVRE 1/4 17x13.3x1.5	KUPFERDICHTUNG 1/4 17x13.3x1.5
16	56150	VALVOLA ANTIRISUCCHIO V.A.R.	ANTI-EDDY VALVE V.A.R.	SOUPAPE ANTI-DEPRESSION V.A.R.	VENTIL UNTERDRUCKFREI V.A.R.
17	12154	GUARNIZIONE CU 3/8 22x17x1.5	GASKET COPPER 3/8 22x17x1,5	JOINT CUIVRE 3/8 22x17x1.5	KUPFERDICHTUNG 3/8 22x17x1.5
18	25785	TAPPO MASCHIO 3/8	MALE CAP 3/8	BOUCHON MALE 3/8	STOPFEN 3/8
19	20251	SONDA LIVELLO L.125	LEVEL PROBE L.125	JAUG L.125	PEGELFUHLER L.125
20	52001612	TUBO D-10 L.115	TUBE D-10 L.115	TUYAU D-10 L.115	ROHR D-10 L.115
21	20352	VALVOLA DI SICUREZZA *CE*	*CE* SAFETY VALVE	SOUPAPE DE SECURITE *CE*	SICHERHEITSVENTIL *CE*
22	15006001	FLANGIA VALVOLA SICUREZZA	FLANGE VALVE	JOINT VANNE	FLANSCH VENTIL
23	12300000	GUARNIZIONE OR	GASKET O RING	JOINT OR	OR DICHTUNG
24	56009980	ASSIEME PROTEZIONE VALVOLE SICUREZZA	UNIT PROTECTION VALVE	ENSEMBLE PROTECTION VANNE	SATZ-SCHUTZGITTER VENTIL
25	15478002	TUBO SILICONE 8x11 L.70cm	SILICONE TUBE 8x11 L.70cm	TUYAU SILICONE 8x11 L.70cm	SILIKONROHR 8x11 L.70cm
26	43033	RACCORDO "T" 3/8x3/8x1/4	3/8x3/8x1/4 T FITTING	RACCORD "T" 3/8x3/8x1/4	ANSCHLUSS 3/8x3/8x1/4 T
27	25781	TAPPO FEMMINA 3/8	FEMALE CAP 3/8	BOUCHON FEMELLE 3/8	STOPFEN 3/8
28	12402	GUARNIZIONE PASTICCA 15x3	GASKET 15x3	JOINT 15x3	DICHTUNG 15x3
29	63200002	SCAMBIATORE CIRC.TERMOSIFONICA D-80	EXCHANGER WITH THERMOSIPH.CIRCULATI D-80	ECHANG. CIRCUL. A THERMOSIPHON D-80	AUSTAUSCHER MIT ROHREN D-80
30	12005	GUARNIZIONE 28x17x2	GASKET 28X17X2	JOINT 28X17X2	DICHTUNG 28x17x2
31	25651	RONDELLA OTTONE 3/8	BRASS WASHER 3/8	RONDELLE LAITON 3/8	MESSINGSCHIEBE 3/8
32	25356	CONTRODADO OTTONE 3/8	BRASS LOCK NUT 3/8	CONTRE-ECROU LAITON 3/8	MESSING-GEGENMUTTER 3/8
33	43030001	RACCORDO INIETTORE 3/8Fx3/8Mx14F	3/8Fx3/8Mx14F INJECTOR FITTING	RACC. INJECTEUR 3/8Fx3/8Mx14F	ANSCHLUSS EINSPRITZER 3/8Fx3/8Mx14F
34	52000410	TUBO D-6 L.85	TUBE D-6 L.85	TUYAU D-6 L.85	ROHR D-6 L.85



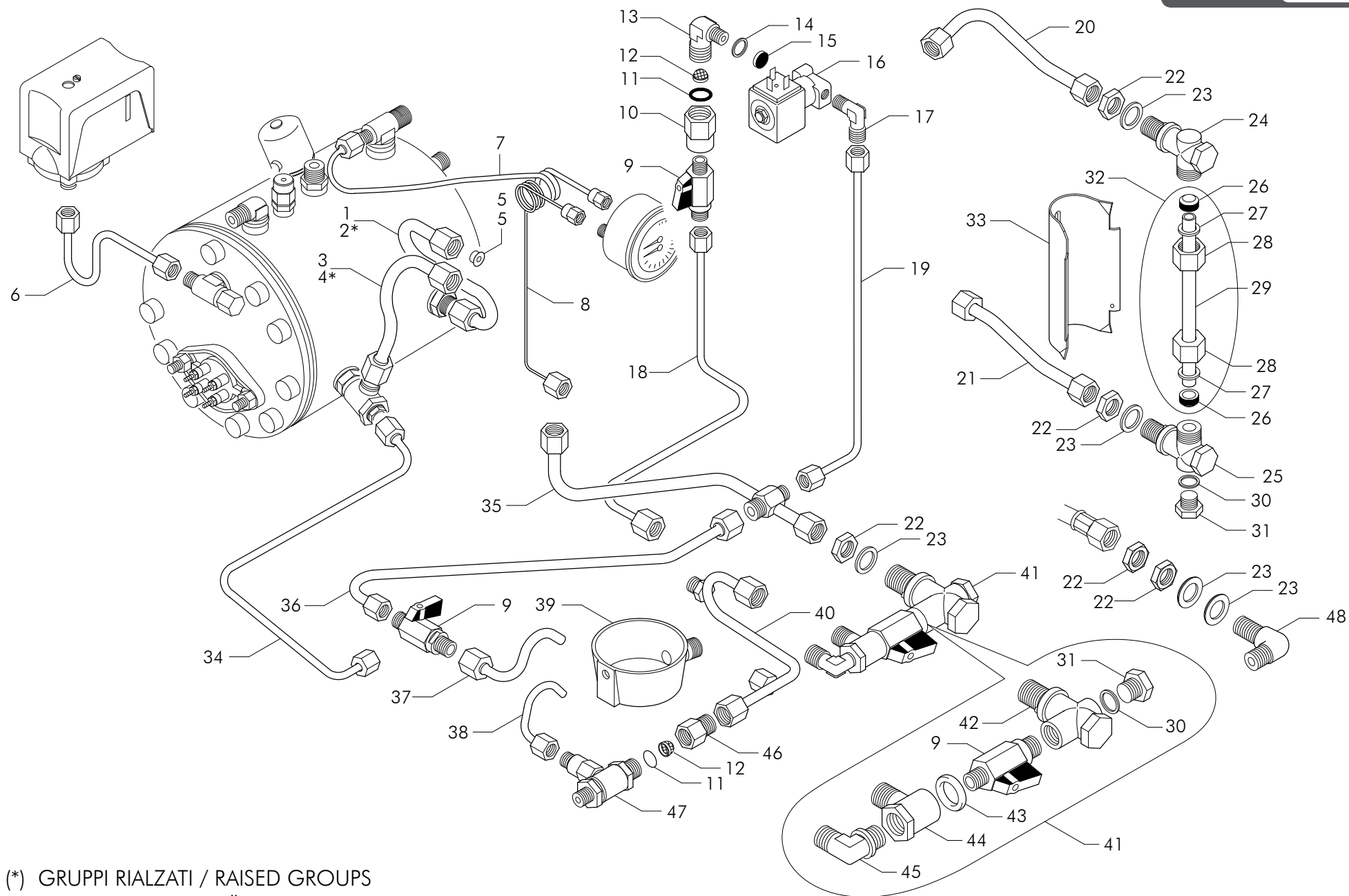
3GR

Pos	Code	Denominazione - IT -	Denomination - EN -	Denomination - FR -	Denomination - DE -
1	23049	DADO OTTONE M8	BRASS NUT M8	ECROU LAITON M8	MESSING-SCHRAUBENMUTTER M8
2	4617107	RESISTENZA 3GR 6P 230/240V 5000/5440W CW51	HEATING EL. 3GR 220/240V 5000/5440 6P	RESISTANCE 3GR 220/240V 5000/5440W	HEIZKORPER 3GR 220/240V 5000/5440W
3	12001	GUARNIZIONE TEFLON 58x43x2	TEFLON GASKET 58x43x2	JOINT TEFLON 58x43x2	TEFLON DICHTUNG 58x23x2
4	23133	PRIGIONIERO INOX 8x40	STAINLESS STEEL BOLT 8x40	VIS INOX 8x40	STAHLSCHRAUBE 8x40 8x40
5	23556	VITE TCEI INOX 10x20	STEEL SCREW TCCE 10X20	VIS INOX TCCE 10X20	STAHLSCHRAUBE TCCE 10x20
6	43060	RACCORDO 1/4x1/4x1/4 T	'T' CONNECTOR 1/4 + 1/4 + 1/4	RACCORD 'T' 1/4 + 1/4 + 1/4	T'-ANSCHLUSS 1/4+1/4+1/4
7	25782	TAPPO FEMMINA 1/4 GAS	1/4 GAS FEMALE TAP	BOUCHON FEMELLE 1/4 GAZ	INNENANSCHLUSSSTOPSEL 1/4 GAS
8	12007	GUARNIZIONE KLINGERSIL4400	KLINGERSIL4400 SEAL	JOINT KLINGERSIL4400	DICHTUNG KLINGER SIL4400
9	12100	GUARNIZIONE CU/ALIM 1/4 18.7x13.2x2.5	CU GASKET 1/4 18.7X13.2X2.5	JOINT CU 1/4 18.7X13.2X2.5	CU DICHTUNG 1/4 18.7x13.2x2.5
10	53011	FLANGIA	FLANGE	BRIDE	FLANSCH
11	12003	GUARNIZIONE CALDAIA	BOILER GASKET	JOINT CHAUDIERE	KESSELDICHTUNG
12	62801703	CALDAIA 3GR CTS	BOILER 3GR	CHAUDIERE 3GR	KESSEL 3GR CTS
13	12101	GUARNIZIONE RAME 3/8 22x17x3	GASKET COPPER 3/8 22x17x3	JOINT CUIVRE 3/8 22x17x3	KUPFERDICHTUNG 3/8 22x17x3
14	43052	RACCORDO "L" 3/8	CONNECTOR 'L' 3/8	RACCORD 'L' 3/8	ANSCHLUSS 'L' 3/8
15	12153	GUARNIZIONE RAME 1/4 17x13.3x1.5	GASKET 1/4 17x13.3x1.5 COPPER	JOINT CUIVRE 1/4 17x13.3x1.5	KUPFERDICHTUNG 1/4 17x13.3x1.5
16	56150	VALVOLA ANTIRISUCCHIO V.A.R.	ANTI-EDDY VALVE V.A.R.	SOUPAPE ANTI-DEPRESSION V.A.R.	VENTIL UNTERDRUCKFREI V.A.R.
17	20251	SONDA LIVELLO L.125	LEVEL PROBE L.125	JAUG L.125	PEGELFUHLER L.125
18	12154	GUARNIZIONE CU 3/8 22x17x1.5	GASKET COPPER 3/8 22x17x1,5	JOINT CUIVRE 3/8 22x17x1.5	KUPFERDICHTUNG 3/8 22x17x1.5
19	52001612	TUBO D-10 L.115	TUBE D-10 L.115	TUYAU D-10 L.115	ROHR D-10 L.115
20	20352	VALVOLA DI SICUREZZA *CE*	*CE* SAFETY VALVE	SOUPAPE DE SECURITE *CE*	SICHERHEITSVENTIL *CE*
21	15006001	FLANGIA VALVOLA SICUREZZA	FLANGE VALVE	JOINT VANNE	FLANSCH VENTIL
22	12300000	GUARNIZIONE OR	GASKET O RING	JOINT OR	OR DICHTUNG
23	56009980	ASSIEME PROTEZIONE VALVOLE SICUREZZA	UNIT PROTECTION VALVE	ENSEMBLE PROTECTION VANNE	SATZ-SCHUTZGITTER VENTIL
24	15478002	TUBO SILICONE 8x11 L.70cm	SILICONE TUBE 8x11 L.70cm	TUYAU SILICONE 8x11 L.70cm	SILIKONROHR 8x11 L.70cm
25	25785	TAPPO MASCHIO 3/8	MALE CAP 3/8	BOUCHON MALE 3/8	STOPFEN 3/8
26	43033	RACCORDO "T" 3/8x3/8x1/4	3/8x3/8x1/4 T FITTING	RACCORD "T" 3/8x3/8x1/4	ANSCHLUSS 3/8x3/8x1/4 T
27	25781	TAPPO FEMMINA 3/8	FEMALE CAP 3/8	BOUCHON FEMELLE 3/8	STOPFEN 3/8
28	12402	GUARNIZIONE PASTICCA 15x3	GASKET 15x3	JOINT 15x3	DICHTUNG 15x3
29	63200002	SCAMBIATORE CIRC.TERMOSIFONICA D-80	EXCHANGER WITH THERMOSIPH.CIRCULATI D-80	ECHANG. CIRCUL. A THERMOSIPHON D-80	AUSTAUSCHER MIT ROHREN D-80
30	12005	GUARNIZIONE 28x17x2	GASKET 28X17X2	JOINT 28X17X2	DICHTUNG 28x17x2
31	25651	RONDELLA OTTONE 3/8	BRASS WASHER 3/8	RONDELLE LAITON 3/8	MESSINGSCHLEIBE 3/8
32	25356	CONTRODADO OTTONE 3/8	BRASS LOCK NUT 3/8	CONTRE-ECROU LAITON 3/8	MESSING-GEGENMUTTER 3/8
33	43030001	RACCORDO INIETTORE 3/8Fx3/8Mx14F	3/8Fx3/8Mx14F INJECTOR FITTING	RACC. INJECTEUR 3/8Fx3/8Mx14F	ANSCHLUSS EINSPRITZER 3/8Fx3/8Mx14F
34	52000410	TUBO D-6 L.85	TUBE D-6 L.85	TUYAU D-6 L.85	ROHR D-6 L.85



4GR

Pos	Code	Denominazione - IT -	Denomination - EN -	Denomination - FR -	Denomination - DE -
1	23049	DADO OTTONE M8	BRASS NUT M8	ECROU LAITON M8	MESSING-SCHRAUBENMUTTER M8
2	4617153	RESISTENZA 4GR 6P 230/240V 6000/6530W	HEATING EL. 4GR 220/240V 6530W 6P	RESISTANCE 4GR 220/240V 6530W 6P	HEIZKORPER 4GR 220/240V 6530W 6P
3	12001	GUARNIZIONE TEFLON 58x43x2	TEFLON GASKET 58x43x2	JOINT TEFLON 58x43x2	TEFLON DICHTUNG 58x23x2
4	23133	PRIGIONIERO INOX 8x40	STAINLESS STEEL BOLT 8x40	VIS INOX 8x40	STAHLSCHRAUBE 8x40 8x40
5	23556	VITE TCEI INOX 10x20	STEEL SCREW TCCE 10X20	VIS INOX TCCE 10X20	STAHLSCHRAUBE TCCE 10x20
6	43060	RACCORDO 1/4x1/4x1/4 T	'T' CONNECTOR 1/4 + 1/4 + 1/4	RACCORD 'T' 1/4 + 1/4 + 1/4	T'-ANSCHLUSS 1/4+1/4+1/4
7	25782	TAPPO FEMMINA 1/4 GAS	1/4 GAS FEMALE TAP	BOUCHON FEMELLE 1/4 GAZ	INNENANSCHLUSSSTOPSEL 1/4 GAS
8	12007	GUARNIZIONE KLINGERSIL4400	KLINGERSIL4400 SEAL	JOINT KLINGERSIL4400	DICHTUNG KLINGER SIL4400
9	12100	GUARNIZIONE CU/ALIM 1/4 18.7x13.2x2.5	CU GASKET 1/4 18.7X13.2X2.5	JOINT CU 1/4 18.7X13.2X2.5	CU DICHTUNG 1/4 18.7x13.2x2.5
10	53011	FLANGIA	FLANGE	BRIDE	FLANSCH
11	12003	GUARNIZIONE CALDAIA	BOILER GASKET	JOINT CHAUDIERE	KESSELDICHTUNG
12	62801803	CALDAIA 4GR	BOILER 4GR	CHAUDIERE 4GR	KESSEL 4GR
13	12101	GUARNIZIONE RAME 3/8 22x17x3	GASKET COPPER 3/8 22x17x3	JOINT CUIVRE 3/8 22x17x3	KUPFERDICHTUNG 3/8 22x17x3
14	43052	RACCORDO "L" 3/8	CONNECTOR 'L' 3/8	RACCORD 'L' 3/8	ANSCHLUSS 'L' 3/8
15	12153	GUARNIZIONE RAME 1/4 17x13.3x1.5	GASKET 1/4 17x13.3x1.5 COPPER	JOINT CUIVRE 1/4 17x13.3x1.5	KUPFERDICHTUNG 1/4 17x13.3x1.5
16	56150	VALVOLA ANTIRISUCCHIO V.A.R.	ANTI-EDDY VALVE V.A.R.	SOUPAPE ANTI-DEPRESSION V.A.R.	VENTIL UNTERDRUCKFREI V.A.R.
17	20251	SONDA LIVELLO L.125	LEVEL PROBE L.125	JAUG L.125	PEGELFUHLER L.125
18	12154	GUARNIZIONE CU 3/8 22x17x1.5	GASKET COPPER 3/8 22x17x1,5	JOINT CUIVRE 3/8 22x17x1.5	KUPFERDICHTUNG 3/8 22x17x1.5
19	52001612	TUBO D-10 L.115	TUBE D-10 L.115	TUYAU D-10 L.115	ROHR D-10 L.115
20	20352	VALVOLA DI SICUREZZA *CE*	*CE* SAFETY VALVE	SOUPAPE DE SECURITE *CE*	SICHERHEITSVENTIL *CE*
21	15006001	FLANGIA VALVOLA SICUREZZA	FLANGE VALVE	JOINT VANNE	FLANSCH VENTIL
22	12300000	GUARNIZIONE OR	GASKET O RING	JOINT OR	OR DICHTUNG
23	56009980	ASSIEME PROTEZIONE VALVOLE SICUREZZA	UNIT PROTECTION VALVE	ENSEMBLE PROTECTION VANNE	SATZ-SCHUTZGITTER VENTIL
24	15478002	TUBO SILICONE 8x11 L.70cm	SILICONE TUBE 8x11 L.70cm	TUYAU SILICONE 8x11 L.70cm	SILIKONROHR 8x11 L.70cm
25	25785	TAPPO MASCHIO 3/8	MALE CAP 3/8	BOUCHON MALE 3/8	STOPFEN 3/8
26	43033	RACCORDO "T" 3/8x3/8x1/4	3/8x3/8x1/4 T FITTING	RACCORD "T" 3/8x3/8x1/4	ANSCHLUSS 3/8x3/8x1/4 T
27	25781	TAPPO FEMMINA 3/8	FEMALE CAP 3/8	BOUCHON FEMELLE 3/8	STOPFEN 3/8
28	12402	GUARNIZIONE PASTICCA 15x3	GASKET 15x3	JOINT 15x3	DICHTUNG 15x3
29	63200002	SCAMBIATORE CIRC.TERMOSIFONICA D-80	EXCHANGER WITH THERMOSIPH.CIRCULATI D-80	ECHANG. CIRCUL. A THERMOSIPHON D-80	AUSTAUSCHER MIT ROHREN D-80
30	12005	GUARNIZIONE 28x17x2	GASKET 28X17X2	JOINT 28X17X2	DICHTUNG 28x17x2
31	25651	RONDELLA OTTONE 3/8	BRASS WASHER 3/8	RONDELLE LAITON 3/8	MESSINGSCHIEBE 3/8
32	25356	CONTRODADO OTTONE 3/8	BRASS LOCK NUT 3/8	CONTRE-ECROU LAITON 3/8	MESSING-GEGENMUTTER 3/8
33	43030001	RACCORDO INIETTORE 3/8Fx3/8Mx14F	3/8Fx3/8Mx14F INJECTOR FITTING	RACC. INJECTEUR 3/8Fx3/8Mx14F	ANSCHLUSS EINSPRITZER 3/8Fx3/8Mx14F
34	52000410	TUBO D-6 L.85	TUBE D-6 L.85	TUYAU D-6 L.85	ROHR D-6 L.85



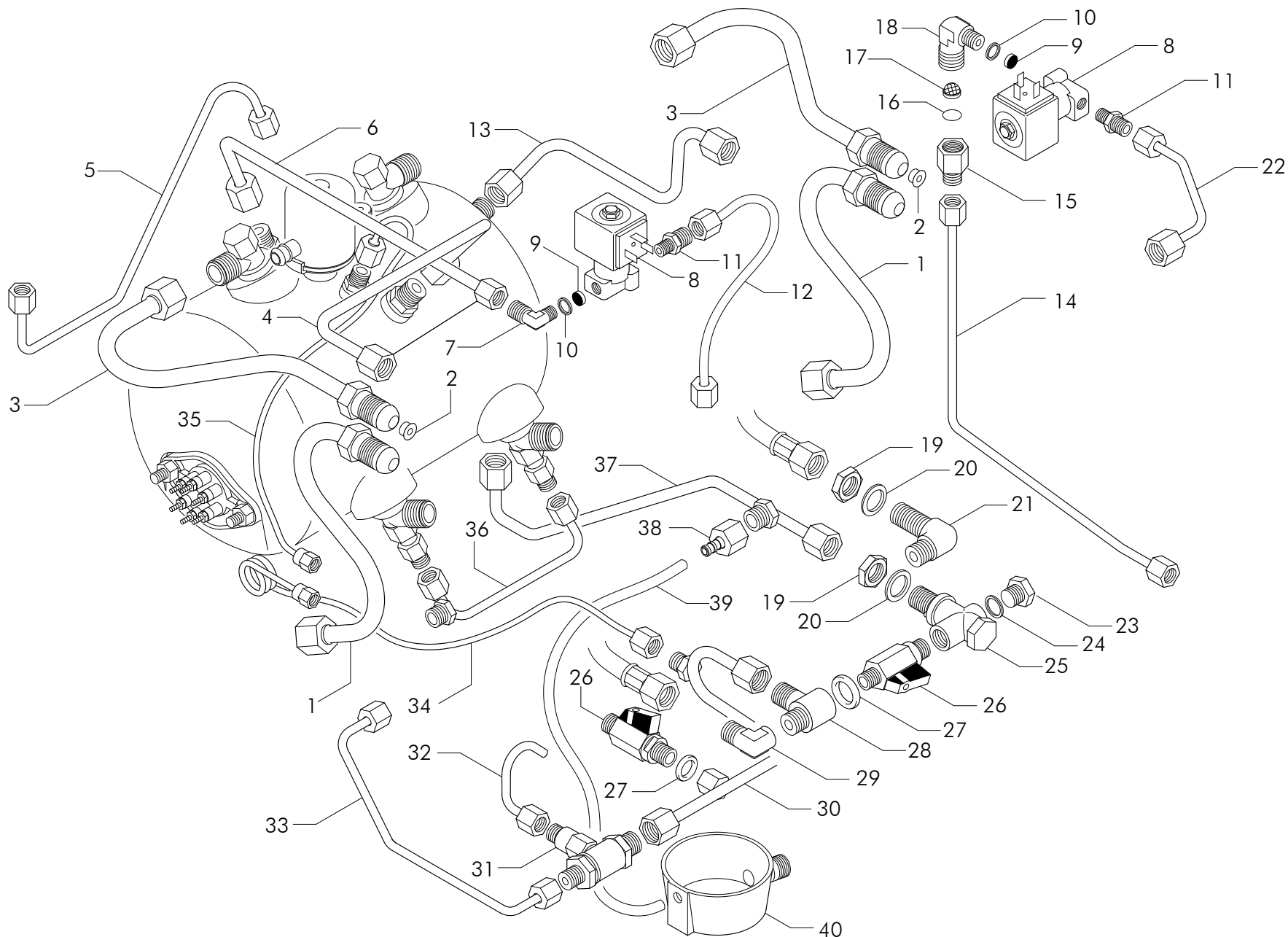
(*) GRUPPI RIALZATI / RAISED GROUPS
GROUPES REHAUSSÉS / ERHOEHTE GRUPPEN

AEP 1GR

Pos	Code	Denominazione - IT -	Denomination - EN -	Denomination - FR -	Denomination - DE -
1	52003934	TUBO D-10 L.210	TUBE D-10 L.210	TUYAU D-10 L.210	ROHR D-10 L.210
2	52000481	TUBO D-10 L.215	TUBE D-10 L.215	TUYAU D-10 L.215	ROHR D-10 L.215
3	52000211	TUBO D-10 L.155	TUBE D-10 L.155	TUYAU D-10 L.155	ROHR D-10 L.155
4	52000482	TUBO D-10 L.185	TUBE D-10 L.185	TUYAU D-10 L.185	ROHR D-10 L.185
5	23294001	STROZZATURA RICIRCOLO GR CTS D 2.5	CTS UNIT D 2.5 RECIRC. NECK	ETRANGLEMENT RECYCLAGE GR.D.2.5	ENGSTELLE UMWALZUNG D. 2.5
5	23294003	STROZZATURA RICIRCOLO GR CTS D 4	CTS UNIT D 4 RECIRC. NECK	ETRANGLEMENT RECYCLAGE GR.D.4	ENGSTELLE UMWALZUNG D. 4
6	52001225	TUBO D-6 L.220	TUBE D-6 L.220	TUYAU D-6 L.220	ROHR D-6 L.220
7	52000419	TUBO D-4 L.635	TUBE D-4 L.635	TUYAU D-4 L.635	ROHR D-4 L.635
8	52003055	TUBO D-2 L.500	TUBE D-2 L.500	TUYAU D-2 L.500	ROHR D-2 L.500
9	20354	VALVOLA CHIUSURA AEA	PRESSURE RELEASE TAP BULK UNIT	CLAPET FERMETURE AUT.ARRIVEE EAU	ABSPERRVENTIL x AUT.WASSERZUFUHR
10	25741	RIDUZIONE AEA MOTORE INCORPORATO	AUTOMATIC WATER REFILL REDUCTION	REDUCTION REMPLISSAGE EAU AUTOMAT.	REDUKTION AUT.WASSERFULLUNG
11	12312	GUARNIZIONE OR FILTRO AEA 10x2	O RING FOR WATER REFILL FILTER 10x2	JOINT OR FILTRE AUT.REM.EAU 10X2	OR DICHTUNG FUR WASSERFULLUNGFILTER
12	10254	FILTRO ACCIAIO 160-200 MESH	STEEL FILTER 160-200 MESH	FILTRE EN ACIER 160-200 MESH	STAHLFILTER 160-200 MESH
13	23206	RACCORDO -L- D10 3/8x1/8CON	ELBOW BRASS CONNECTOR D10 3/8X1/8	RACCORD COUDE LAITON D10 3/8X1/8	MESSING FITTING D10 3/8x1/8
14	12155	GUARNIZIONE RAME 8.5x5x1	COPPER GASKET 8.5X5X1	JOINT CU 8.5X5X1	CU DICHTUNG 8.5x5x1
15	10251001	FILTRO IN ACCIAIO D-8 Sp.0,3	STEEL FILTER D-8 - 0.3 THICK	FILTRE EN ACIER D-8 Ep.0,3	STAHLFILTER D-8 Sp.0,3
16	4618162005	ELETTROVALVOLA AEA 220-240V 50-60Hz VDE/CW	SOL.VALVE WATER REFILL 220/240 50/60HZ	ELECTROVANNE REA 220/240V 50/60Hz VDE/	ELEKTROVENTIL AWZ 230/250 V 50/60 Hz
16	4618195	EL.AEA 110-120V/50-60Hz CW510L	SOL.VALVE WATER REFILL 110/120V 50/60HZ	ELECTROVANNE REA 110/120V 50/60Hz NSF	ELEKTROVENTIL AWZ 110/120V 50/60HZ NSF
17	23201	RACCORDO GOM.D6.2 1/4M 1/8M-AEA	ELBOW BRASS CONNECTOR D6.2 1/4M 1/8M	RACCORD COUDE LAITON D6.2 1/4M 1/8M	MESSING-ANSCHLUSS D6.2 1/4M 1/8M
18	52000426	TUBO D-6 L.550	TUBE D-6 L.550	TUYAU D-6 L.550	ROHR D-6 L.550
19	52000366	TUBO D-6 L.575	TUBE D-6 L.575	TUYAU D-6 L.575	ROHR D-6 L.575
20	52002700	TUBO D-10 L.185	TUBE D-10 L.185	TUYAU D-10 L.185	ROHR D-10 L.185
21	52000400	TUBO D-10 L.110	TUBE D-10 L.110	TUYAU D-10 L.110	ROHR D-10 L.110
22	25356	CONTRODADO OTTONE 3/8	BRASS LOCK NUT 3/8	CONTRE-ECROU LAITON 3/8	MESSING-GEGENMUTTER 3/8
23	25651	RONDELLA OTTONE 3/8	BRASS WASHER 3/8	RONDELLE LAITON 3/8	MESSINGSCHIEBE 3/8
24	53002	CORPO LIVELLO SUPERIORE	UPPER LEVEL CONNECTOR	CORPS DE NIVEAU SUPERIEUR	OBERNIVEAUKORPER
25	53001	CORPO LIVELLO INFERIORE	LOWER LEVEL CONNECTOR	CORPS DE NIVEAU INFERIEUR	UNTERNIVEAUKORPER
26	12200	GUARNIZIONE 16x10x8	GASKET 16X10X8	JOINT 16X10X8	DICHTUNG 16x10x8
27	25652	RONDELLA OTTONE D17.8	BRASS WASHER D.17.8	RONDELLE LAITON D.17.8	MESSING-SCHIEBE D.17.8
28	25383	DADO OTTONE M20x1.5	BRASS NUT 20X1.5	ECROU LAITON 20X1.5	MESSING-MUTTER 20x1.5
29	21300	TUBO VETRO LIVELLO 11x8x170	GLASS LEVEL TUBE 11X8X170	TUBE NIVEAU EN VERRE 11X8X170	NIVEAU GLASROHR 11x8x170
30	12153	GUARNIZIONE RAME 1/4 17x13.3x1.5	GASKET 1/4 17x13.3x1.5 COPPER	JOINT CUIVRE 1/4 17x13.3x1.5	KUPFERDICHTUNG 1/4 17x13.3x1.5
31	25780	TAPPO MASCHIO OTTONE 1/4	BRASS MALE CAP 1/4	BOUCHON MALE LAITON 1/4	MESSING-STOPFEN 1/4
32	56001	ASSIEME TUBO LIVELLO	LEVEL TUBE UNIT	ENSEMBLE TUBE DE NIVEAU	ROHRSATZ FUR NIVEAU
33	44002	COPRILIVELLO VERNICIATO BIANCO	LEVEL INDICATOR COVER PAINTED WHITE	COUVRE-NIVEAU LAQUE BLANC	NIVEAUDECKEL
34	52000417	TUBO D-6 L.300	TUBE D-6 L.300	TUYAU D-6 L.300	ROHR D-6 L.300
35	52003212	TUBO D-10 L.320	TUBE D-10 L.320	TUYAU D-10 L.320	ROHR D-10 L.320
36	52000365	TUBO D-8 L.280	TUBE D-8 L.280	TUYAU D-8 L.280	ROHR D-8 L.280

AEP 1GR

Pos	Code	Denominazione - IT -	Denomination - EN -	Denomination - FR -	Denomination - DE -
37	52000425	TUBO D-6 L.115	TUBE D-6 L.115	TUYAU D-6 L.115	ROHR D-6 L.115
38	52001350	TUBO D-6 L.105	TUBE D-6 L.105	TUYAU D-6 L.105	ROHR D-6 L.105
39	15502	VASCHETTA SCARICO ROTONDA D 80	ROUND DRAIN BASIN D.80mm	CUVE A VIDANGER RONDE D.80mm	RUNDE ABFLUSSCHALE D.80mm
40	52000427	TUBO D-8 L.230	TUBE D-8 L.230	TUYAU D-8 L.230	ROHR D-8 L.230
41	56134001	ASSIEME BLOCCHETTO POMPA	UNIT PUMP	ENSEMBLE POMPE	PUMPENSATZ
42	53001001	CORPO LIVELLO INFERIORE	LOWER LEVEL CONNECTOR	CORPS DE NIVEAU INFERIEUR	UNTERNIVEAUKORPER
43	12100	GUARNIZIONE CU/ALIM 1/4 18.7x13.2x2.5	CU GASKET 1/4 18.7X13.2X2.5	JOINT CU 1/4 18.7X13.2X2.5	CU DICHTUNG 1/4 18.7x13.2x2.5
44	43030001	RACCORDO INIETTORE 3/8Fx3/8Mx14F	3/8Fx3/8Mx14F INJECTOR FITTING	RACC. INJECTEUR 3/8Fx3/8Mx14F	ANSCHLUSS EINSPRITZER 3/8Fx3/8Mx14F
45	43052	RACCORDO "L" 3/8	CONNECTOR 'L' 3/8	RACCORD 'L' 3/8	ANSCHLUSS 'L' 3/8
46	25732100	RACCORDO 3/8Mx3/8F + SEDE FILTRO	FITTING 3/8Mx3/8F	RACCORD 3/8Mx3/8F	ANSCHLUSS 3/8Mx3/8F
47	20361	VALVOLA S.C.N.R. REGOLABILE	ADJUSTABLE S.C.N.R. VALVE	SOUPAPE S.C.N.R. REGLABLE	EINSTELLBARES VENTIL S.N.C.R.
48	43067	RACCORDO "L" 3/8 GASx3/8 GAS L.30	3/8 GAS X 3/8 GAS L FITTING L.30	RACCORD L 3/8 GAZx3/8 GAZ L.30	ANSCHLUSS L 3/8 GAS x 3/8 GAS L. 30

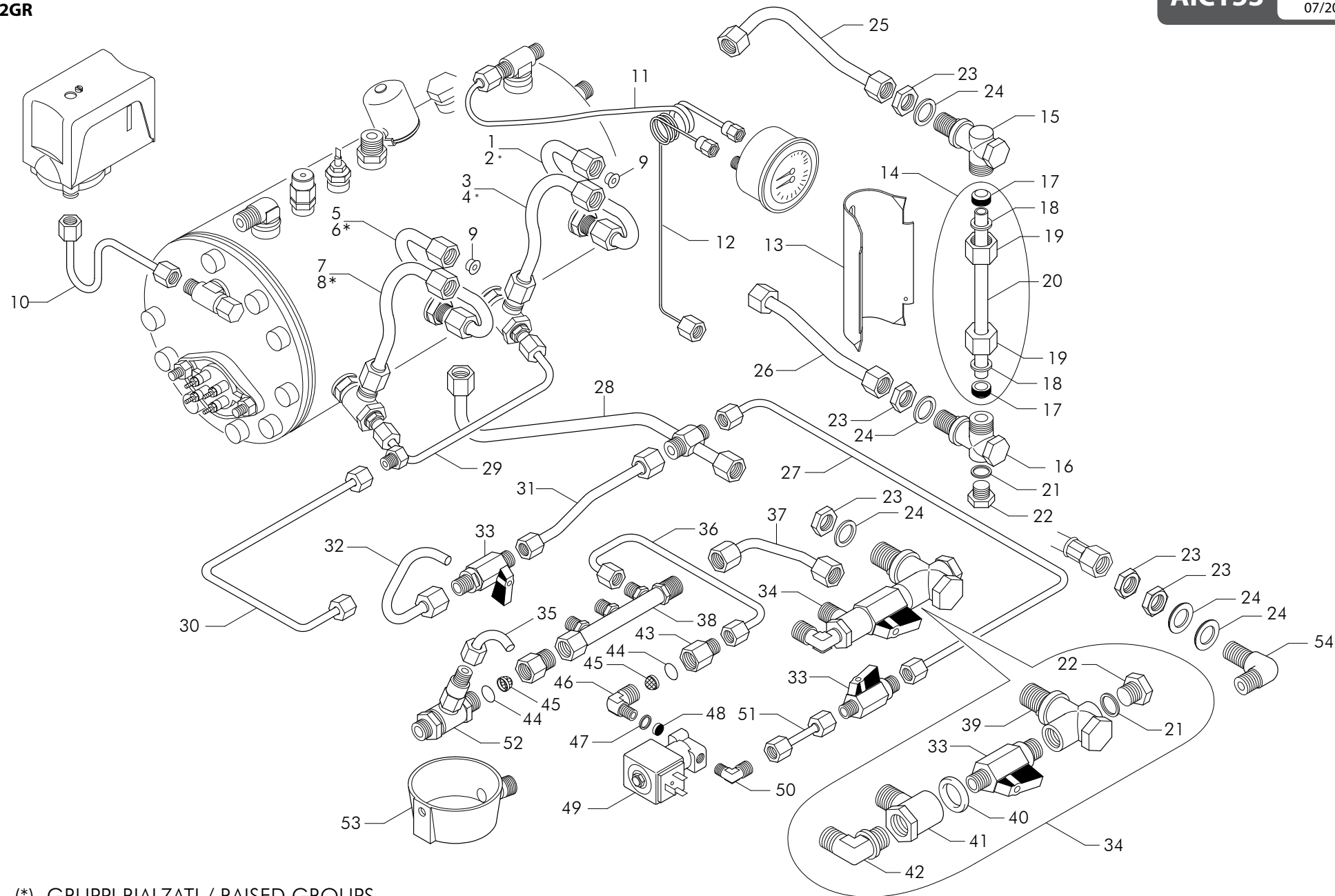


AEP COMPATTA

Pos	Code	Denominazione - IT -	Denomination - EN -	Denomination - FR -	Denomination - DE -
1	52000540	TUBO D-10 L.255	TUBE D-10 L.255	TUYAU D-10 L.255	ROHR D-10 L.255
2	23293	STROZZATURA RICIRCOLO GR D 4	REDUCED CONNECTOR OF GROUP D4	RACCORD REDUIT DU GROUPE D4	VERKLEINERTE FITTING DER GRUPPE D4
3	52001202	TUBO D-10 L.250	TUBE D-10 L.250	TUYAU D-10 L.250	ROHR D-10 L.250
4	52000634	TUBO D-8 L.300	TUBE D-8 L.300	TUYAU D-8 L.300	ROHR D-8 L.300
5	52003311	TUBO D-6 L.400	TUBE D-6 L.400	TUYAU D-6 L.400	ROHR D-6 L.400
6	52003315	TUBO D-8 L.205	TUBE D-8 L.205	TUYAU D-8 L.205	ROHR D-8 L.205
7	23201	RACCORDO GOM.D6.2 1/4M 1/8M-AEA	ELBOW BRASS CONNECTOR D6.2 1/4M 1/8M	RACCORD COUDE LAITON D6.2 1/4M 1/8M	MESSING-ANSCHLUSS D6.2 1/4M 1/8M
8	4618162005	ELETTROVALVOLA AEA 220-240V 50-60Hz VDE/CW	SOL.VALVE WATER REFILL 220/240 50/60HZ	ELECTROVANNE REA 220/240V 50/60Hz VDE/	ELEKTROVENTIL AWZ 230/250 V 50/60 Hz
8	4618195	EL.AEA 110-120V/50-60Hz CW510L	SOL.VALVE WATER REFILL 110/120V 50/60HZ	ELECTROVANNE REA 110/120V 50/60Hz NSF	ELEKTROVENTIL AWZ 110/120V 50/60HZ NSF
9	10251001	FILTRO IN ACCIAIO D-8 Sp.0,3	STEEL FILTER D-8 - 0.3 THICK	FILTRE EN ACIER D-8 Ep.0,3	STAHLFILTER D-8 Sp.0,3
10	12155	GUARNIZIONE RAME 8.5x5x1	COPPER GASKET 8.5X5X1	JOINT CU 8.5X5X1	CU DICHTUNG 8.5x5x1
11	25707	RACCORDO 1/8x1/4	CONNECTOR 1/8x1/4	RACCORD 1/8x1/4	ANSCHLUSS 1/8x1/4
12	52000421	TUBO D-8 L.45	TUBE D-8 L.45	TUYAU D-8 L.45	ROHR D-8 L.45
13	52000633	TUBO D-8 L.285	TUBE D-8 L.285	TUYAU D-8 L.285	ROHR D-8 L.285
14	52003303	TUBO D-6 L.600	TUBE D-6 L.600	TUYAU D-6 L.600	ROHR D-6 L.600
15	25705	RACCORDO FILTRO AEA	AUT.WATER REFILL FILTER CONNECTOR	RACCORD FILTRE REM.EAU.AUT.	FILTERFITTING AUT.WASSERFÜLLUNG
16	12312	GUARNIZIONE OR FILTRO AEA 10x2	O RING FOR WATER REFILL FILTER 10x2	JOINT OR FILTRE AUT.REM.EAU 10X2	OR DICHTUNG FÜR WASSERFÜLLUNGFILTER
17	10254	FILTRO ACCIAIO 160-200 MESH	STEEL FILTER 160-200 MESH	FILTRE EN ACIER 160-200 MESH	STAHLFILTER 160-200 MESH
18	23217	RACCORDO -L- D10 3/8x1/8 CON F 1.2	FITTING D10 3/8x1/8 AWI F 1.2	RACCORD GOMME D10 3/8x1/8 F 1.2	FITTING D10 3/8x1/8 MIT F 1.2
19	25356	CONTRODADO OTTONE 3/8	BRASS LOCK NUT 3/8	CONTRE-ECROU LAITON 3/8	MESSING-GEGENMUTTER 3/8
20	25651	RONDELLA OTTONE 3/8	BRASS WASHER 3/8	RONDELLE LAITON 3/8	MESSINGSCHIEBE 3/8
21	43067	RACCORDO "L" 3/8 GASx3/8 GAS L.30	3/8 GAS X 3/8 GAS L FITTING L.30	RACCORD L 3/8 GAZx3/8 GAZ L.30	ANSCHLUSS L 3/8 GAS x 3/8 GAS L. 30
22	52000321	TUBO D-6 L.255	TUBE D-6 L.255	TUYAU D-6 L.255	ROHR D. 6 L.255
23	25780	TAPPO MASCHIO OTTONE 1/4	BRASS MALE CAP 1/4	BOUCHON MALE LAITON 1/4	MESSING-STOPFEN 1/4
24	12153	GUARNIZIONE RAME 1/4 17x13.3x1.5	GASKET 1/4 17x13.3x1.5 COPPER	JOINT CUIVRE 1/4 17x13.3x1.5	KUPFERDICHTUNG 1/4 17x13.3x1.5
25	53001001	CORPO LIVELLO INFERIORE	LOWER LEVEL CONNECTOR	CORPS DE NIVEAU INFERIEUR	UNTERNIVEAUKORPER
26	20354	VALVOLA CHIUSURA AEA	PRESSURE RELEASE TAP BULK UNIT	CLAPET FERMETURE AUT.ARRIVEE EAU	ABSPERRVENTIL x AUT.WASSERZUFUHR
27	12100	GUARNIZIONE CU/ALIM 1/4 18.7x13.2x2.5	CU GASKET 1/4 18.7X13.2X2.5	JOINT CU 1/4 18.7X13.2X2.5	CU DICHTUNG 1/4 18.7x13.2x2.5
28	43030001	RACCORDO INIETTORE 3/8Fx3/8Mx14F	3/8Fx3/8Mx14F INJECTOR FITTING	RACC. INJECTEUR 3/8Fx3/8Mx14F	ANSCHLUSS EINSPRITZER 3/8Fx3/8Mx14F
29	25732100	RACCORDO 3/8Mx3/8F + SEDE FILTRO	FITTING 3/8Mx3/8F	RACCORD 3/8Mx3/8F	ANSCHLUSS 3/8Mx3/8F
30	52003319	TUBO D-8 L.235	TUBE D-8 L.235 CW 3/A	TUYAU D-8 L.235 CW 3/A	ROHR D-8 L.235 CW 3/A
31	20361	VALVOLA S.C.N.R. REGOLABILE	ADJUSTABLE S.C.N.R. VALVE	SOUPAPE S.C.N.R. REGLABLE	EINSTELLBARES VENTIL S.N.C.R.
32	52001350	TUBO D-6 L.105	TUBE D-6 L.105	TUYAU D-6 L.105	ROHR D-6 L.105
33	52003314	TUBO D-6 L.305	TUBE D-6 L.305	TUYAU D-6 L.305	ROHR D-6 L.305
34	52000110	TUBO D-4 L.730	TUBE D-4 L.730	TUYAU D-4 L.730	ROHR D-4 L.730
35	52001433	TUBO D-4 L.310	TUBE D-4 L.310	TUYAU D-4 L.310	ROHR D-4 L.310
36	52003313	TUBO D-6 L.180	TUBE D-6 L.180	TUYAU D-6 L.180	ROHR D-6 L.180
37	52003301	TUBO D-10 L.310	TUBE D-10 L.310	TUYAU D-10 L.310	ROHR D-10 L.310

AEP COMPATTA

Pos	Code	Denominazione - IT -	Denomination - EN -	Denomination - FR -	Denomination - DE -
38	257396	RACCORDO SCARICO CALDAIA ASSIEMATO	ASSEMBLED BOILER DRAIN JOINT	RACCORD	ANSCHLUSS
39	15477013	TUBO SILICONE 6x9	TUBE SILICONE 6x9	TUYAU SILICONE 6x9	ROHR SILIKON 6x9
40	15502	VASCHETTA SCARICO ROTONDA D 80	ROUND DRAIN BASIN D.80mm	CUVE A VIDANGER RONDE D.80mm	RUNDE ABFLUSSCHALE D.80mm



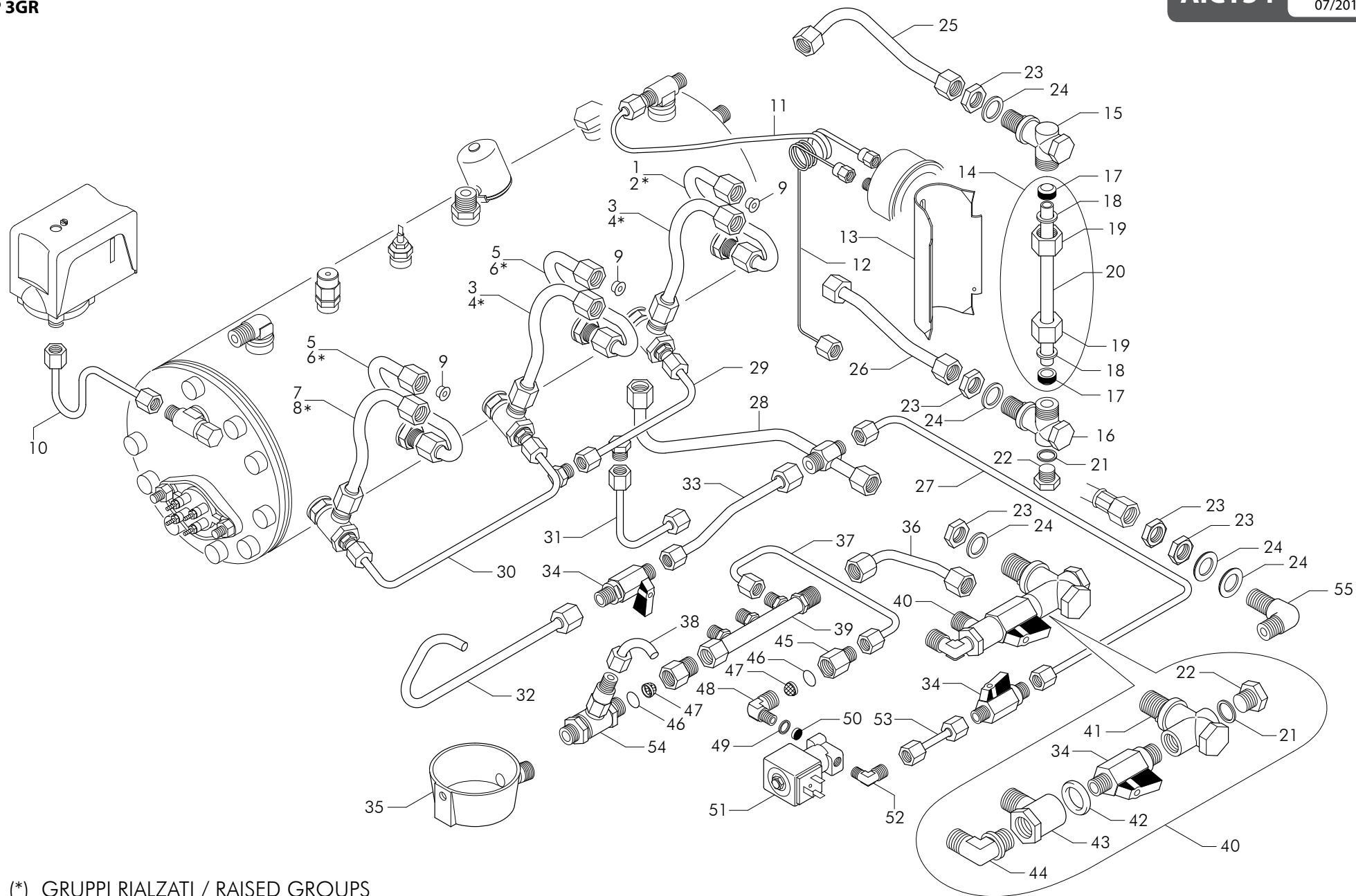
(*) GRUPPI RIALZATI / RAISED GROUPS
GROUPES REHAUSSÉS / ERHOEHTE GRUPPEN

AEP 2GR

Pos	Code	Denominazione - IT -	Denomination - EN -	Denomination - FR -	Denomination - DE -
1	52003934	TUBO D-10 L.210	TUBE D-10 L.210	TUYAU D-10 L.210	ROHR D-10 L.210
2	52000487	TUBO D-10 L.205	TUBE D-10 L.205	TUYAU D-10 L.205	ROHR D-10 L.205
3	52000245	TUBO D-10 L.165	TUBE D-10 L.165	TUYAU D-10 L.165	ROHR D-10 L.165
4	52000488	TUBO D-10 L.200	TUBE D-10 L.200	TUYAU D-10 L.200	ROHR D-10 L.200
5	52000214	TUBO D-10 L.195	TUBE D-10 L.195	TUYAU D-10 L.195	ROHR D-10 L.195
6	52000489	TUBO D-10 L.240	TUBE D-10 L.240	TUYAU D-10 L.240	ROHR D-10 L.240
7	52000272	TUBO D-10 L.135	TUBE D-10 L.135	TUYAU D-10 L.135	ROHR D. 10 L.135
8	52000490	TUBO D-10 L.180	TUBE D-10 L.180	TUYAU D-10 L.180	ROHR D-10 L.180
9	23294001	STROZZATURA RICIRCOLO GR CTS D 2.5	CTS UNIT D 2.5 RECIRC. NECK	ETRANGLEMENT RECYCLAGE GR.D.2.5	ENGSTELLE UMWALZUNG D. 2.5
9	23294003	STROZZATURA RICIRCOLO GR CTS D 4	CTS UNIT D 4 RECIRC. NECK	ETRANGLEMENT RECYCLAGE GR.D.4	ENGSTELLE UMWALZUNG D. 4
10	52003932	TUBO D-6 L.165	TUBE D-6 L.165	TUYAU D-6 L.165	ROHR D-6 L.165
11	52000405	TUBO D-4 L.700	TUBE D-4 L.700	TUYAU D-4 L.700	ROHR D-4 L.700
12	52003055	TUBO D-2 L.500	TUBE D-2 L.500	TUYAU D-2 L.500	ROHR D-2 L.500
13	44002	COPRILIVELLO VERNICIATO BIANCO	LEVEL INDICATOR COVER PAINTED WHITE	COUVRE-NIVEAU LAQUE BLANC	NIVEAUDECKEL
14	56001	ASSIEME TUBO LIVELLO	LEVEL TUBE UNIT	ENSEMBLE TUBE DE NIVEAU	ROHRSATZ FUR NIVEAU
15	53002	CORPO LIVELLO SUPERIORE	UPPER LEVEL CONNECTOR	CORPS DE NIVEAU SUPERIEUR	OBERNIVEAUKORPER
16	53001	CORPO LIVELLO INFERIORE	LOWER LEVEL CONNECTOR	CORPS DE NIVEAU INFERIEUR	UNTERNIVEAUKORPER
17	12200	GUARNIZIONE 16x10x8	GASKET 16X10X8	JOINT 16X10X8	DICHTUNG 16x10x8
18	25652	RONDELLA OTTONE D17.8	BRASS WASHER D.17.8	RONDELLE LAITON D.17.8	MESSING-SCHEIBE D.17.8
19	25383	DADO OTTONE M20x1.5	BRASS NUT 20X1.5	ECROU LAITON 20X1.5	MESSING-MUTTER 20x1.5
20	21300	TUBO VETRO LIVELLO 11x8x170	GLASS LEVEL TUBE 11X8X170	TUBE NIVEAU EN VERRE 11X8X170	NIVEAU GLASROHR 11x8x170
21	12153	GUARNIZIONE RAME 1/4 17x13.3x1.5	GASKET 1/4 17x13.3x1.5 COPPER	JOINT CUIVRE 1/4 17x13.3x1.5	KUPFERDICHTUNG 1/4 17x13.3x1.5
22	25780	TAPPO MASCHIO OTTONE 1/4	BRASS MALE CAP 1/4	BOUCHON MALE LAITON 1/4	MESSING-STOPFEN 1/4
23	25356	CONTRODADO OTTONE 3/8	BRASS LOCK NUT 3/8	CONTRE-ECROU LAITON 3/8	MESSING-GEGENMUTTER 3/8
24	25651	RONDELLA OTTONE 3/8	BRASS WASHER 3/8	RONDELLE LAITON 3/8	MESSINGSCHIEBE 3/8
25	52002700	TUBO D-10 L.185	TUBE D-10 L.185	TUYAU D-10 L.185	ROHR D-10 L.185
26	52000400	TUBO D-10 L.110	TUBE D-10 L.110	TUYAU D-10 L.110	ROHR D-10 L.110
27	52001589	TBS.D-6 L.275 AR223	TUBE D-6 L.275	TUYAU D-6 L.275	ROHR D-6 L.275
28	52003212	TUBO D-10 L.320	TUBE D-10 L.320	TUYAU D-10 L.320	ROHR D-10 L.320
29	52000233	TUBO D-6 L.230	TUBE D-6 L.230	TUYAU D-6 L.230	ROHR D-6 L.230
30	52000401	TUBO D-6 L.270	TUBE D-6 L.270	TUYAU D-6 L.270	ROHR D-6 L.270
31	52000361	TUBO D-8 L.135	TUBE D-8 L.135	TUYAU D-8 L.135	ROHR D-8 L.135
32	52000267	TUBO D-8 L.100	TUBE D-8 L.100	TUYAU D-8 L.100	ROHR D. 8 L.100
33	20354	VALVOLA CHIUSURA AEA	PRESSURE RELEASE TAP BULK UNIT	CLAPET FERMETURE AUT.ARRIVEE EAU	ABSPERRVENTIL x AUT.WASSERZUFUHR
34	56134001	ASSIEME BLOCCHETTO POMPA	UNIT PUMP	ENSEMBLE POMPE	PUMPENSATZ
35	52002898	TUBO D-6 L.50	TUBE D-6 L.50	TUYAU D-6 L.50	ROHR D. 6 L.50
36	52000321	TUBO D-6 L.255	TUBE D-6 L.255	TUYAU D-6 L.255	ROHR D. 6 L.255
37	52000367	TUBO D-8 L.150	TUBE D-8 L.150	TUYAU D-8 L.150	ROHR D-8 L.150

AEP 2GR

Pos	Code	Denominazione - IT -	Denomination - EN -	Denomination - FR -	Denomination - DE -
38	56136004	ASSIEME BLOCCO DISTRIBUZ.2-3-4GR	DISTRIBUTION BLOCK 2-3-4GR	BLOC DISTRIBUTION 2-3-4GR	BLOCK VERTEILER 2-3-4GR
39	53001001	CORPO LIVELLO INFERIORE	LOWER LEVEL CONNECTOR	CORPS DE NIVEAU INFERIEUR	UNTERNIVEAUKORPER
40	12100	GUARNIZIONE CU/ALIM 1/4 18.7x13.2x2.5	CU GASKET 1/4 18.7X13.2X2.5	JOINT CU 1/4 18.7X13.2X2.5	CU DICHTUNG 1/4 18.7x13.2x2.5
41	43030001	RACCORDO INIETTORE 3/8Fx3/8Mx14F	3/8Fx3/8Mx14F INJECTOR FITTING	RACC. INJECTEUR 3/8Fx3/8Mx14F	ANSCHLUSS EINSPRITZER 3/8Fx3/8Mx14F
42	43052	RACCORDO "L" 3/8	CONNECTOR 'L' 3/8	RACCORD 'L' 3/8	ANSCHLUSS 'L' 3/8
43	25705	RACCORDO FILTRO AEA	AUT.WATER REFILL FILTER CONNECTOR	RACCORD FILTRE REM.EAU.AUT.	FILTERFITTING AUT.WASSERFULLUNG
44	12312	GUARNIZIONE OR FILTRO AEA 10x2	O RING FOR WATER REFILL FILTER 10x2	JOINT OR FILTRE AUT.REM.EAU 10X2	OR DICHTUNG FUR WASSERFULLUNGFILTER
45	10254	FILTRO ACCIAIO 160-200 MESH	STEEL FILTER 160-200 MESH	FILTRE EN ACIER 160-200 MESH	STAHLFILTER 160-200 MESH
46	23206	RACCORDO -L- D10 3/8x1/8CON	ELBOW BRASS CONNECTOR D10 3/8X1/8	RACCORD COUDE LAITON D10 3/8X1/8	MESSING FITTING D10 3/8x1/8
47	12155	GUARNIZIONE RAME 8.5x5x1	COPPER GASKET 8.5X5X1	JOINT CU 8.5X5X1	CU DICHTUNG 8.5x5x1
48	10251001	FILTRO IN ACCIAIO D-8 Sp.0,3	STEEL FILTER D-8 - 0.3 THICK	FILTRE EN ACIER D-8 Ep.0,3	STAHLFILTER D-8 Sp.0,3
49	4618162005	ELETTRIVALVOLA AEA 220-240V 50-60Hz VDE/CW	SOL.VALVE WATER REFILL 220/240 50/60HZ	ELECTROVANNE REA 220/240V 50/60Hz VDE/	ELEKTROVENTIL AWZ 230/250 V 50/60 Hz
49	4618195	EL.AEA 110-120V/50-60Hz CW510L	SOL.VALVE WATER REFILL 110/120V 50/60HZ	ELECTROVANNE REA 110/120V 50/60Hz NSF	ELEKTROVENTIL AWZ 110/120V 50/60Hz NSF
50	23201	RACCORDO GOM.D6.2 1/4M 1/8M-AEA	ELBOW BRASS CONNECTOR D6.2 1/4M 1/8M	RACCORD COUDE LAITON D6.2 1/4M 1/8M	MESSING-ANSCHLUSS D6.2 1/4M 1/8M
51	52001590	TUBO D-6 L.28	TUBE D-6 L.28	TUYAU D-6 L.28	ROHR D-6 L.28
52	20361	VALVOLA S.C.N.R. REGOLABILE	ADJUSTABLE S.C.N.R. VALVE	SOUPAPE S.C.N.R. REGLABLE	EINSTELLBARES VENTIL S.N.C.R.
53	15502	VASCHETTA SCARICO ROTONDA D 80	ROUND DRAIN BASIN D.80mm	CUVE A VIDANGER RONDE D.80mm	RUNDE ABFLUSSCHALE D.80mm
54	43067	RACCORDO "L" 3/8 GASx3/8 GAS L.30	3/8 GAS X 3/8 GAS L FITTING L.30	RACCORD L 3/8 GAZx3/8 GAZ L.30	ANSCHLUSS L 3/8 GAS x 3/8 GAS L. 30



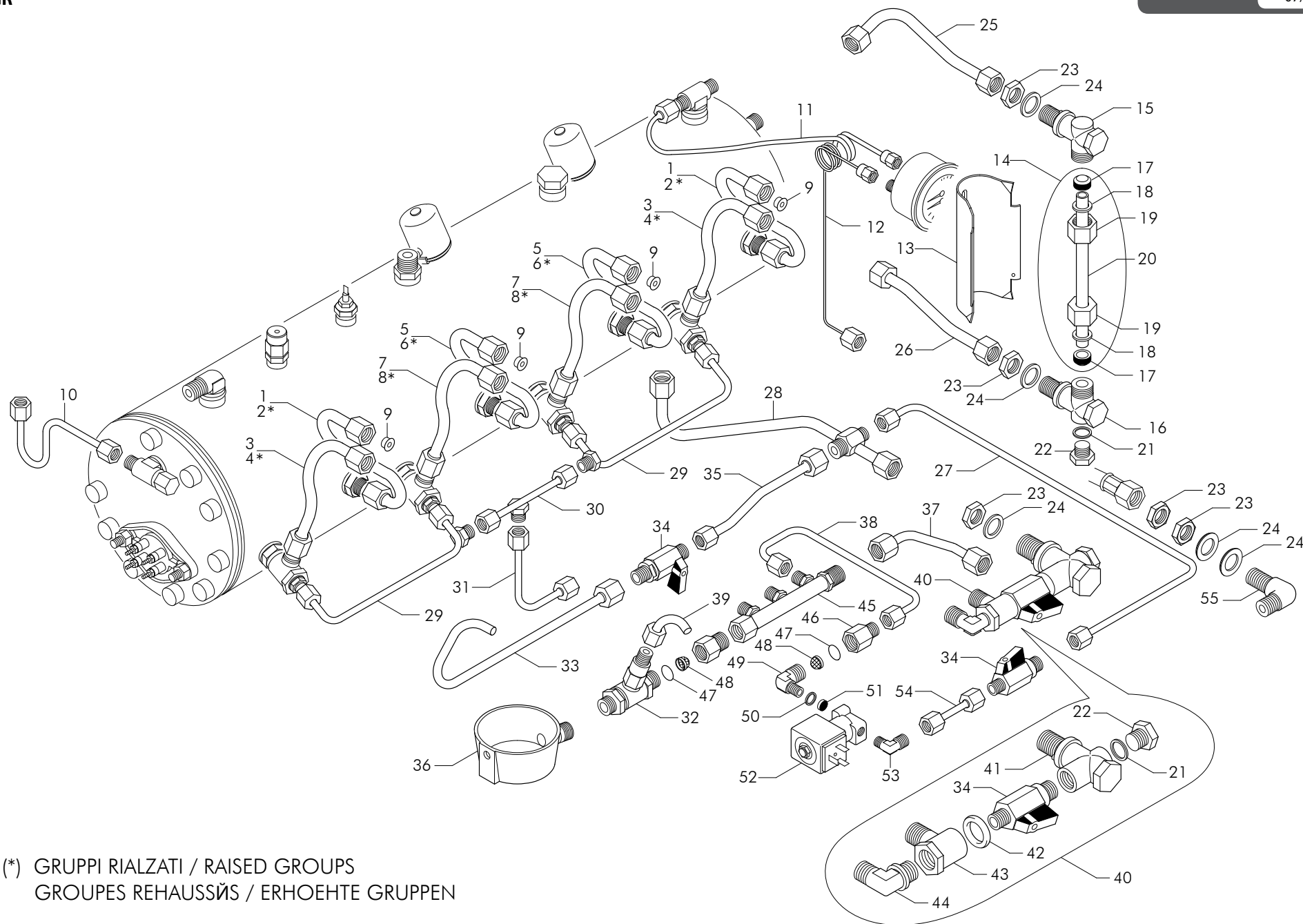
(*) GRUPPI RIALZATI / RAISED GROUPS
GROUPES REHAUSSÉS / ERHOEHTE GRUPPEN

AEP 3GR

Pos	Code	Denominazione - IT -	Denomination - EN -	Denomination - FR -	Denomination - DE -
1	52003934	TUBO D-10 L.210	TUBE D-10 L.210	TUYAU D-10 L.210	ROHR D-10 L.210
2	52000487	TUBO D-10 L.205	TUBE D-10 L.205	TUYAU D-10 L.205	ROHR D-10 L.205
3	52000245	TUBO D-10 L.165	TUBE D-10 L.165	TUYAU D-10 L.165	ROHR D-10 L.165
4	52000488	TUBO D-10 L.200	TUBE D-10 L.200	TUYAU D-10 L.200	ROHR D-10 L.200
5	52000214	TUBO D-10 L.195	TUBE D-10 L.195	TUYAU D-10 L.195	ROHR D-10 L.195
6	52000489	TUBO D-10 L.240	TUBE D-10 L.240	TUYAU D-10 L.240	ROHR D-10 L.240
7	52000272	TUBO D-10 L.135	TUBE D-10 L.135	TUYAU D-10 L.135	ROHR D. 10 L.135
8	52000490	TUBO D-10 L.180	TUBE D-10 L.180	TUYAU D-10 L.180	ROHR D-10 L.180
9	23294001	STROZZATURA RICIRCOLO GR CTS D 2.5	CTS UNIT D 2.5 RECIRC. NECK	ETRANGLEMENT RECYCLAGE GR.D.2.5	ENGSTELLE UMWALZUNG D. 2.5
9	23294003	STROZZATURA RICIRCOLO GR CTS D 4	CTS UNIT D 4 RECIRC. NECK	ETRANGLEMENT RECYCLAGE GR.D.4	ENGSTELLE UMWALZUNG D. 4
10	52003932	TUBO D-6 L.165	TUBE D-6 L.165	TUYAU D-6 L.165	ROHR D-6 L.165
11	52000414	TUBO D-4 L.800	TUBE D-4 L.800	TUYAU D-4 L.800	ROHR D-4 L.800
12	52003057	TUBO D-2 L.1000	TUBE D-2 L.1000	TUYAU D-2 L.1000	ROHR D-2 L.10000
13	44002	COPRILIVELLO VERNICIATO BIANCO	LEVEL INDICATOR COVER PAINTED WHITE	COUVRE-NIVEAU LAQUE BLANC	NIVEAUDECKEL
14	56001	ASSIEME TUBO LIVELLO	LEVEL TUBE UNIT	ENSEMBLE TUBE DE NIVEAU	ROHRSATZ FUR NIVEAU
15	53002	CORPO LIVELLO SUPERIORE	UPPER LEVEL CONNECTOR	CORPS DE NIVEAU SUPERIEUR	OBERNIVEAUKORPER
16	53001	CORPO LIVELLO INFERIORE	LOWER LEVEL CONNECTOR	CORPS DE NIVEAU INFERIEUR	UNTERNIVEAUKORPER
17	12200	GUARNIZIONE 16x10x8	GASKET 16X10X8	JOINT 16X10X8	DICHTUNG 16x10x8
18	25652	RONDELLA OTTONE D17.8	BRASS WASHER D.17.8	RONDELLE LAITON D.17.8	MESSING-SCHEIBE D.17.8
19	25383	DADO OTTONE M20x1.5	BRASS NUT 20X1.5	ECROU LAITON 20X1.5	MESSING-MUTTER 20x1.5
20	21300	TUBO VETRO LIVELLO 11x8x170	GLASS LEVEL TUBE 11X8X170	TUBE NIVEAU EN VERRE 11X8X170	NIVEAU GLASROHR 11x8x170
21	12153	GUARNIZIONE RAME 1/4 17x13.3x1.5	GASKET 1/4 17x13.3x1.5 COPPER	JOINT CUIVRE 1/4 17x13.3x1.5	KUPFERDICHTUNG 1/4 17x13.3x1.5
22	25780	TAPPO MASCHIO OTTONE 1/4	BRASS MALE CAP 1/4	BOUCHON MALE LAITON 1/4	MESSING-STOPFEN 1/4
23	25356	CONTRODADO OTTONE 3/8	BRASS LOCK NUT 3/8	CONTRE-ECROU LAITON 3/8	MESSING-GEGENMUTTER 3/8
24	25651	RONDELLA OTTONE 3/8	BRASS WASHER 3/8	RONDELLE LAITON 3/8	MESSINGSCHIEBE 3/8
25	52002700	TUBO D-10 L.185	TUBE D-10 L.185	TUYAU D-10 L.185	ROHR D-10 L.185
26	52000400	TUBO D-10 L.110	TUBE D-10 L.110	TUYAU D-10 L.110	ROHR D-10 L.110
27	52000205	TUBO D-6 L.230	TUBE D-6 L.230	TUYAU D-6 L.230	ROHR D. 6 L.230
28	52003212	TUBO D-10 L.320	TUBE D-10 L.320	TUYAU D-10 L.320	ROHR D-10 L.320
29	52000326	TUBO D-6 L.250	TUBE D-6 L.250	TUYAU D-6 L.250	ROHR D. 6 L.250
30	52000233	TUBO D-6 L.230	TUBE D-6 L.230	TUYAU D-6 L.230	ROHR D-6 L.230
31	52000327	TUBO D.6 L.125	TUBE D.6 L.125	TUYAU D.6 L.125	ROHR D.6 L.125
32	52000362	TUBO D-8 L.255	TUBE D-8 L.255	TUYAU D-8 L.255	ROHR D-8 L.255
33	52000361	TUBO D-8 L.135	TUBE D-8 L.135	TUYAU D-8 L.135	ROHR D-8 L.135
34	20354	VALVOLA CHIUSURA AEA	PRESSURE RELEASE TAP BULK UNIT	CLAPET FERMETURE AUT.ARRIVEE EAU	ABSPERRVENTIL x AUT.WASSERZUFUHR
35	15502	VASCHETTA SCARICO ROTONDA D 80	ROUND DRAIN BASIN D.80mm	CUVE A VIDANGER RONDE D.80mm	RUNDE ABFLUSSCHALE D.80mm
36	52000367	TUBO D-8 L.150	TUBE D-8 L.150	TUYAU D-8 L.150	ROHR D-8 L.150
37	52000321	TUBO D-6 L.255	TUBE D-6 L.255	TUYAU D-6 L.255	ROHR D. 6 L.255
38	52001351	TUBO D-6 L.170	TUBE D-6 L.170	TUYAU D-6 L.170	ROHR D-6 L.170
39	56136004	ASSIEME BLOCCO DISTRIBUZ.2-3-4GR	DISTRIBUTION BLOCK 2-3-4GR	BLOC DISTRIBUTION 2-3-4GR	BLOCK VERTEILER 2-3-4GR

AEP 3GR

Pos	Code	Denominazione - IT -	Denomination - EN -	Denomination - FR -	Denomination - DE -
40	56134001	ASSIEME BLOCCHETTO POMPA	UNIT PUMP	ENSEMBLE POMPE	PUMPENSATZ
41	53001001	CORPO LIVELLO INFERIORE	LOWER LEVEL CONNECTOR	CORPS DE NIVEAU INFERIEUR	UNTERNIVEAUKORPER
42	12100	GUARNIZIONE CU/ALIM 1/4 18.7x13.2x2.5	CU GASKET 1/4 18.7X13.2X2.5	JOINT CU 1/4 18.7X13.2X2.5	CU DICHTUNG 1/4 18.7x13.2x2.5
43	43030001	RACCORDO INIETTORE 3/8Fx3/8Mx14F	3/8Fx3/8Mx14F INJECTOR FITTING	RACC. INJECTEUR 3/8Fx3/8Mx14F	ANSCHLUSS EINSPRITZER 3/8Fx3/8Mx14F
44	43052	RACCORDO "L" 3/8	CONNECTOR 'L' 3/8	RACCORD 'L' 3/8	ANSCHLUSS 'L' 3/8
45	25705	RACCORDO FILTRO AEA	AUT.WATER REFILL FILTER CONNECTOR	RACCORD FILTRE REM.EAU.AUT.	FILTERFITTING AUT.WASSERFULLUNG
46	12312	GUARNIZIONE OR FILTRO AEA 10x2	O RING FOR WATER REFILL FILTER 10x2	JOINT OR FILTRE AUT.REM.EAU 10X2	OR DICHTUNG FUR WASSERFULLUNGFILTER
47	10254	FILTRO ACCIAIO 160-200 MESH	STEEL FILTER 160-200 MESH	FILTRE EN ACIER 160-200 MESH	STAHLFILTER 160-200 MESH
48	23206	RACCORDO -L- D10 3/8x1/8CON	ELBOW BRASS CONNECTOR D10 3/8X1/8	RACCORD COUDE LAITON D10 3/8X1/8	MESSING FITTING D10 3/8x1/8
49	12155	GUARNIZIONE RAME 8.5x5x1	COPPER GASKET 8.5X5X1	JOINT CU 8.5X5X1	CU DICHTUNG 8.5x5x1
50	10251001	FILTRO IN ACCIAIO D-8 Sp.0,3	STEEL FILTER D-8 - 0.3 THICK	FILTRE EN ACIER D-8 Ep.0,3	STAHLFILTER D-8 Sp.0,3
51	4618162005	ELETTRIVALVOLA AEA 220-240V 50-60Hz VDE/CW	SOL.VALVE WATER REFILL 220/240 50/60HZ	ELECTROVANNE REA 220/240V 50/60Hz VDE/	ELEKTROVENTIL AWZ 230/250 V 50/60 Hz
51	4618195	EL.AEA 110-120V/50-60Hz CW510L	SOL.VALVE WATER REFILL 110/120V 50/60HZ	ELECTROVANNE REA 110/120V 50/60Hz NSF	ELEKTROVENTIL AWZ 110/120V 50/60Hz NSF
52	23201	RACCORDO GOM.D6.2 1/4M 1/8M-AEA	ELBOW BRASS CONNECTOR D6.2 1/4M 1/8M	RACCORD COUDE LAITON D6.2 1/4M 1/8M	MESSING-ANSCHLUSS D6.2 1/4M 1/8M
53	52001428	TUBO D-6 L.50	TUBE D-6 L.50	TUYAU D-6 L.50	ROHR D-6 L.50
54	20361	VALVOLA S.C.N.R. REGOLABILE	ADJUSTABLE S.C.N.R. VALVE	SOUPAPE S.C.N.R. REGLABLE	EINSTELLBARES VENTIL S.N.C.R.
55	43067	RACCORDO "L" 3/8 GASx3/8 GAS L.30	3/8 GAS X 3/8 GAS L FITTING L.30	RACCORD L 3/8 GAZx3/8 GAZ L.30	ANSCHLUSS L 3/8 GAS x 3/8 GAS L. 30



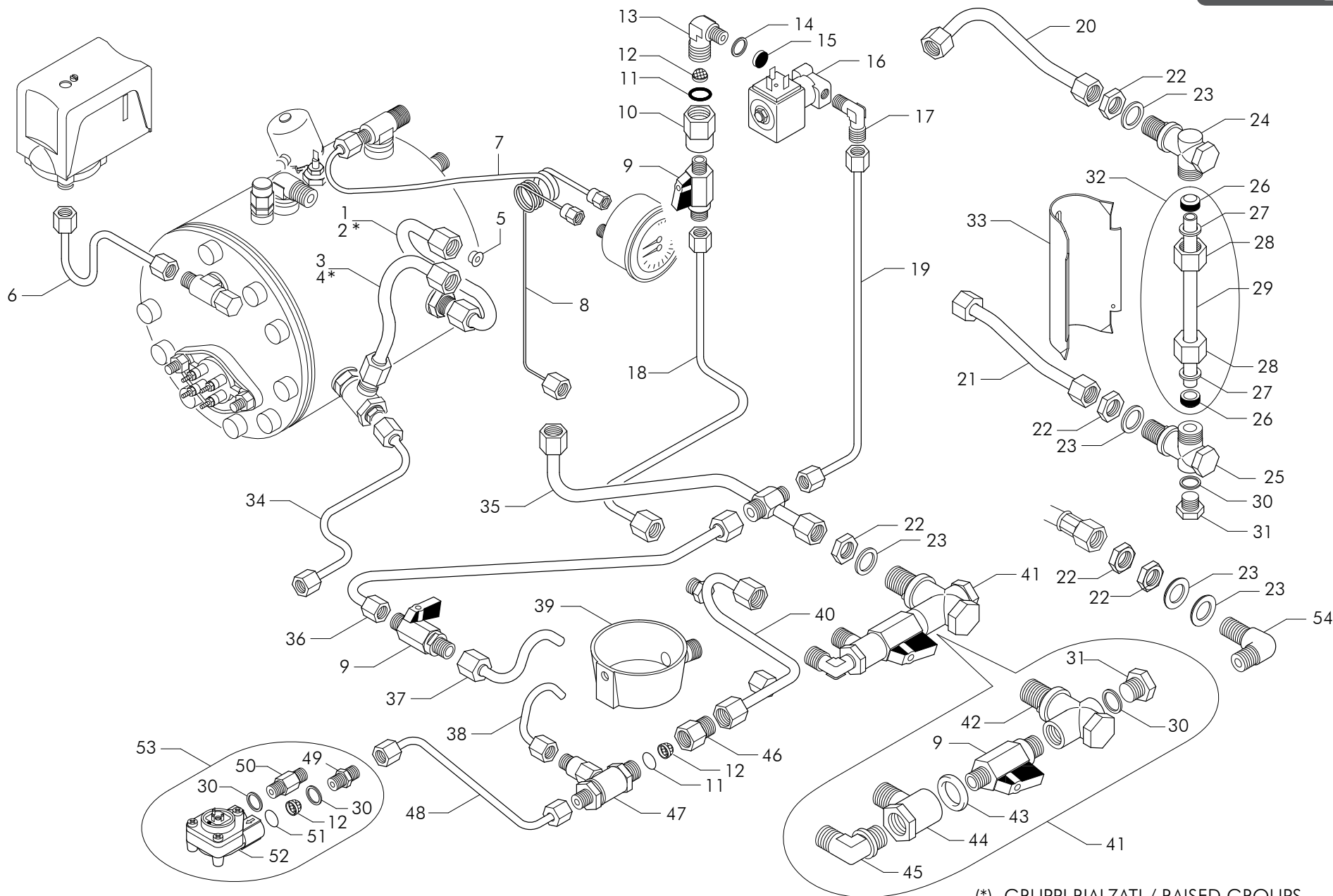
(*) GRUPPI RIALZATI / RAISED GROUPS
 GROUPES REHAUSSÉS / ERHOEHTE GRUPPEN

AEP 4GR

Pos	Code	Denominazione - IT -	Denomination - EN -	Denomination - FR -	Denomination - DE -
1	52003934	TUBO D-10 L.210	TUBE D-10 L.210	TUYAU D-10 L.210	ROHR D-10 L.210
2	52000487	TUBO D-10 L.205	TUBE D-10 L.205	TUYAU D-10 L.205	ROHR D-10 L.205
3	52000245	TUBO D-10 L.165	TUBE D-10 L.165	TUYAU D-10 L.165	ROHR D-10 L.165
4	52000488	TUBO D-10 L.200	TUBE D-10 L.200	TUYAU D-10 L.200	ROHR D-10 L.200
5	52000214	TUBO D-10 L.195	TUBE D-10 L.195	TUYAU D-10 L.195	ROHR D-10 L.195
6	52000489	TUBO D-10 L.240	TUBE D-10 L.240	TUYAU D-10 L.240	ROHR D-10 L.240
7	52000272	TUBO D-10 L.135	TUBE D-10 L.135	TUYAU D-10 L.135	ROHR D. 10 L.135
8	52000490	TUBO D-10 L.180	TUBE D-10 L.180	TUYAU D-10 L.180	ROHR D-10 L.180
9	23294001	STROZZATURA RICIRCOLO GR CTS D 2.5	CTS UNIT D 2.5 RECIRC. NECK	ETRANGLEMENT RECYCLAGE GR.D.2.5	ENGSTELLE UMWALZUNG D. 2.5
9	23294003	STROZZATURA RICIRCOLO GR CTS D 4	CTS UNIT D 4 RECIRC. NECK	ETRANGLEMENT RECYCLAGE GR.D.4	ENGSTELLE UMWALZUNG D. 4
10	52003932	TUBO D-6 L.165	TUBE D-6 L.165	TUYAU D-6 L.165	ROHR D-6 L.165
11	52000429	TUBO D-4 L.880	TUBE D-4 L.880	TUYAU D-4 L.880	ROHR D-4 L.880
12	52003059	TUBO D-2 L.1500	TUBE D-2 L.1500	TUYAU D-2 L.1500	ROHR D-2 L.1500
13	44002	COPRILIVELLO VERNICIATO BIANCO	LEVEL INDICATOR COVER PAINTED WHITE	COUVRE-NIVEAU LAQUE BLANC	NIVEAUDECKEL
14	56001	ASSIEME TUBO LIVELLO	LEVEL TUBE UNIT	ENSEMBLE TUBE DE NIVEAU	ROHRSATZ FUR NIVEAU
15	53002	CORPO LIVELLO SUPERIORE	UPPER LEVEL CONNECTOR	CORPS DE NIVEAU SUPERIEUR	OBERNIVEAUKORPER
16	53001	CORPO LIVELLO INFERIORE	LOWER LEVEL CONNECTOR	CORPS DE NIVEAU INFERIEUR	UNTERNIVEAUKORPER
17	12200	GUARNIZIONE 16x10x8	GASKET 16X10X8	JOINT 16X10X8	DICHTUNG 16x10x8
18	25652	RONDELLA OTTONE D17.8	BRASS WASHER D.17.8	RONDELLE LAITON D.17.8	MESSING-SCHEIBE D.17.8
19	25383	DADO OTTONE M20x1.5	BRASS NUT 20X1.5	ECROU LAITON 20X1.5	MESSING-MUTTER 20x1.5
20	21300	TUBO VETRO LIVELLO 11x8x170	GLASS LEVEL TUBE 11X8X170	TUBE NIVEAU EN VERRE 11X8X170	NIVEAU GLASROHR 11x8x170
21	12153	GUARNIZIONE RAME 1/4 17x13.3x1.5	GASKET 1/4 17x13.3x1.5 COPPER	JOINT CUIVRE 1/4 17x13.3x1.5	KUPFERDICHTUNG 1/4 17x13.3x1.5
22	25780	TAPPO MASCHIO OTTONE 1/4	BRASS MALE CAP 1/4	BOUCHON MALE LAITON 1/4	MESSING-STOPFEN 1/4
23	25356	CONTRODADO OTTONE 3/8	BRASS LOCK NUT 3/8	CONTRE-ECROU LAITON 3/8	MESSING-GEGENMUTTER 3/8
24	25651	RONDELLA OTTONE 3/8	BRASS WASHER 3/8	RONDELLE LAITON 3/8	MESSINGSCHIEBE 3/8
25	52002700	TUBO D-10 L.185	TUBE D-10 L.185	TUYAU D-10 L.185	ROHR D-10 L.185
26	52000400	TUBO D-10 L.110	TUBE D-10 L.110	TUYAU D-10 L.110	ROHR D-10 L.110
27	52000205	TUBO D-6 L.230	TUBE D-6 L.230	TUYAU D-6 L.230	ROHR D. 6 L.230
28	52003212	TUBO D-10 L.320	TUBE D-10 L.320	TUYAU D-10 L.320	ROHR D-10 L.320
29	52000233	TUBO D-6 L.230	TUBE D-6 L.230	TUYAU D-6 L.230	ROHR D-6 L.230
30	52000338	TUBO D-6 L.280	TUBE D-6 L.280	TUYAU D-6 L.280	ROHR D. 6 L.280
31	52000339	TUBO D-6 L.250	TUBE D.6 L.250	TUYAU D.6 L.250	ROHR D.6 L.250
32	20361	VALVOLA S.C.N.R. REGOLABILE	ADJUSTABLE S.C.N.R. VALVE	SOUPAPE S.C.N.R. REGLABLE	EINSTELLBARES VENTIL S.N.C.R.
33	52000363	TUBO D-8 L.380	TUBE D-8 L.380	TUYAU D-8 L.380	ROHR D-8 L.380
34	20354	VALVOLA CHIUSURA AEA	PRESSURE RELEASE TAP BULK UNIT	CLAPET FERMETURE AUT.ARRIVEE EAU	ABSPERRVENTIL x AUT.WASSERZUFUHR
35	52000361	TUBO D-8 L.135	TUBE D-8 L.135	TUYAU D-8 L.135	ROHR D-8 L.135
36	15502	VASCHETTA SCARICO ROTONDA D 80	ROUND DRAIN BASIN D.80mm	CUVE A VIDANGER RONDE D.80mm	RUNDE ABFLUSSCHALE D.80mm
37	52000367	TUBO D-8 L.150	TUBE D-8 L.150	TUYAU D-8 L.150	ROHR D-8 L.150

AEP 4GR

Pos	Code	Denominazione - IT -	Denomination - EN -	Denomination - FR -	Denomination - DE -
38	52000321	TUBO D-6 L.255	TUBE D-6 L.255	TUYAU D-6 L.255	ROHR D. 6 L.255
39	52001336	TUBO D-8 L.665	TUBE D-8 L.665	TUYAU D-8 L.665	ROHR D-8 L.665
40	56134001	ASSIEME BLOCCETTO POMPA	UNIT PUMP	ENSEMBLE POMPE	PUMPENSATZ
41	53001001	CORPO LIVELLO INFERIORE	LOWER LEVEL CONNECTOR	CORPS DE NIVEAU INFERIEUR	UNTERNIVEAUKORPER
42	12100	GUARNIZIONE CU/ALIM 1/4 18.7x13.2x2.5	CU GASKET 1/4 18.7X13.2X2.5	JOINT CU 1/4 18.7X13.2X2.5	CU DICHTUNG 1/4 18.7x13.2x2.5
43	43030001	RACCORDO INIETTORE 3/8Fx3/8Mx14F	3/8Fx3/8Mx14F INJECTOR FITTING	RACC. INJECTEUR 3/8Fx3/8Mx14F	ANSCHLUSS EINSPRITZER 3/8Fx3/8Mx14F
44	43052	RACCORDO "L" 3/8	CONNECTOR 'L' 3/8	RACCORD 'L' 3/8	ANSCHLUSS 'L' 3/8
45	56136004	ASSIEME BLOCCO DISTRIBUZ.2-3-4GR	DISTRIBUTION BLOCK 2-3-4GR	BLOC DISTRIBUTION 2-3-4GR	BLOCK VERTEILER 2-3-4GR
46	25705	RACCORDO FILTRO AEA	AUT.WATER REFILL FILTER CONNECTOR	RACCORD FILTRE REM.EAU.AUT.	FILTERFITTING AUT.WASSERFULLUNG
47	12312	GUARNIZIONE OR FILTRO AEA 10x2	O RING FOR WATER REFILL FILTER 10x2	JOINT OR FILTRE AUT.REM.EAU 10X2	OR DICHTUNG FUR WASSERFULLUNGFILTER
48	10254	FILTRO ACCIAIO 160-200 MESH	STEEL FILTER 160-200 MESH	FILTRE EN ACIER 160-200 MESH	STAHLFILTER 160-200 MESH
49	23206	RACCORDO -L- D10 3/8x1/8CON	ELBOW BRASS CONNECTOR D10 3/8X1/8	RACCORD COUDE LAITON D10 3/8X1/8	MESSING FITTING D10 3/8x1/8
50	12155	GUARNIZIONE RAME 8.5x5x1	COPPER GASKET 8.5X5X1	JOINT CU 8.5X5X1	CU DICHTUNG 8.5x5x1
51	10251001	FILTRO IN ACCIAIO D-8 Sp.0,3	STEEL FILTER D-8 - 0.3 THICK	FILTRE EN ACIER D-8 Ep.0,3	STAHLFILTER D-8 Sp.0,3
52	4618162005	ELETTRIVALVOLA AEA 220-240V 50-60Hz VDE/CW	SOL.VALVE WATER REFILL 220/240 50/60HZ	ELECTROVANNE REA 220/240V 50/60Hz VDE/	ELEKTROVENTIL AWZ 230/250 V 50/60 Hz
52	4618195	EL.AEA 110-120V/50-60Hz CW510L	SOL.VALVE WATER REFILL 110/120V 50/60HZ	ELECTROVANNE REA 110/120V 50/60Hz NSF	ELEKTROVENTIL AWZ 110/120V 50/60HZ NSF
53	23201	RACCORDO GOM.D6.2 1/4M 1/8M-AEA	ELBOW BRASS CONNECTOR D6.2 1/4M 1/8M	RACCORD COUDE LAITON D6.2 1/4M 1/8M	MESSING-ANSCHLUSS D6.2 1/4M 1/8M
54	52001428	TUBO D-6 L.50	TUBE D-6 L.50	TUYAU D-6 L.50	ROHR D-6 L.50
55	43067	RACCORDO "L" 3/8 GASx3/8 GAS L.30	3/8 GAS X 3/8 GAS L FITTING L.30	RACCORD L 3/8 GAZx3/8 GAZ L.30	ANSCHLUSS L 3/8 GAS x 3/8 GAS L. 30



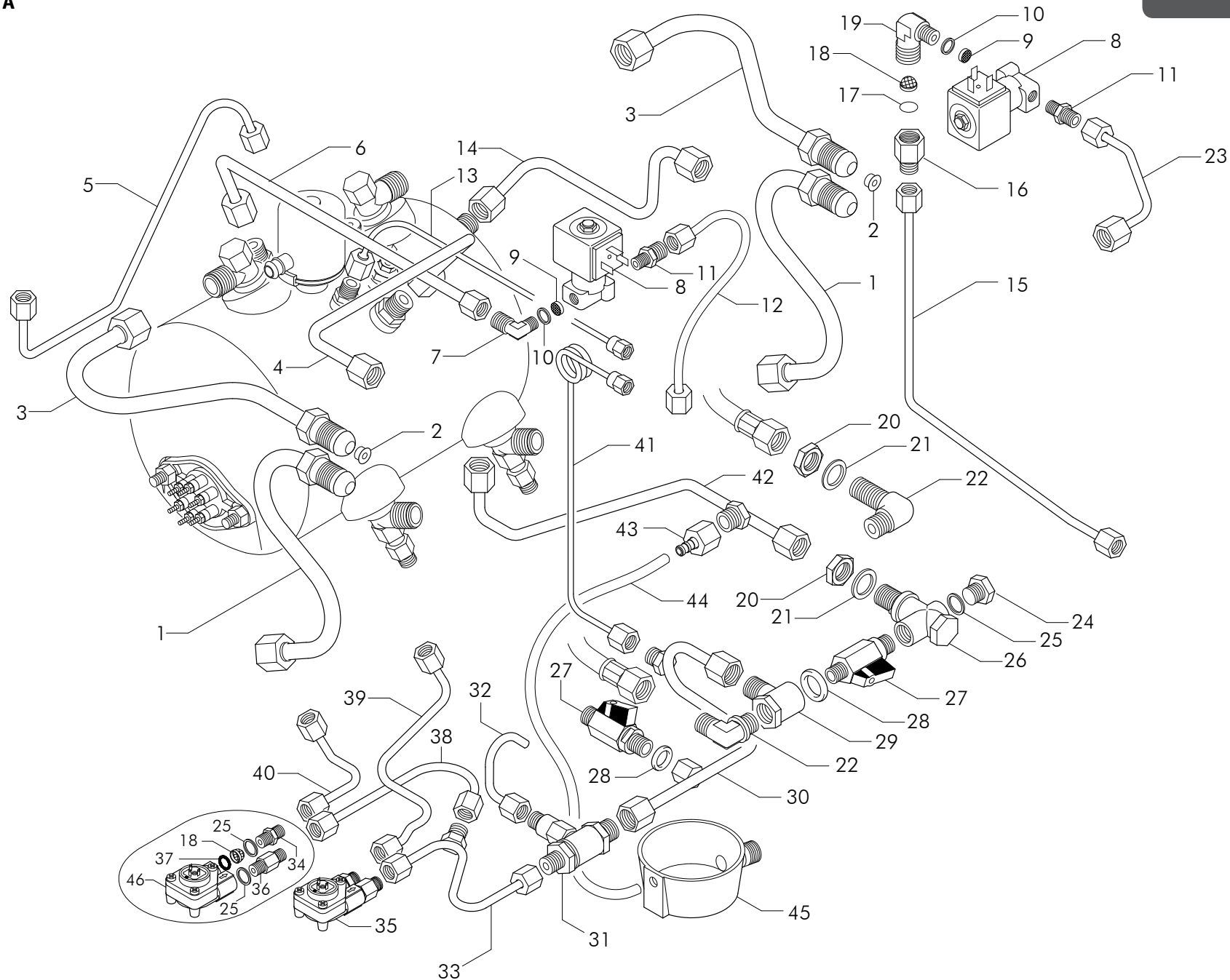
(*) GRUPPI RIALZATI / RAISED GROUPS
GROUPES REHAUSSÉS / ERHOEHTE GRUPPEN

SAE 1GR

Pos	Code	Denominazione - IT -	Denomination - EN -	Denomination - FR -	Denomination - DE -
1	52003934	TUBO D-10 L.210	TUBE D-10 L.210	TUYAU D-10 L.210	ROHR D-10 L.210
2	52000481	TUBO D-10 L.215	TUBE D-10 L.215	TUYAU D-10 L.215	ROHR D-10 L.215
3	52000211	TUBO D-10 L.155	TUBE D-10 L.155	TUYAU D-10 L.155	ROHR D-10 L.155
4	52000482	TUBO D-10 L.185	TUBE D-10 L.185	TUYAU D-10 L.185	ROHR D-10 L.185
5	23294001	STROZZATURA RICIRCOLO GR CTS D 2.5	CTS UNIT D 2.5 RECIRC. NECK	ETRANGLEMENT RECYCLAGE GR.D.2.5	ENGSTELLE UMWALZUNG D. 2.5
5	23294003	STROZZATURA RICIRCOLO GR CTS D 4	CTS UNIT D 4 RECIRC. NECK	ETRANGLEMENT RECYCLAGE GR.D.4	ENGSTELLE UMWALZUNG D. 4
6	52001225	TUBO D-6 L.220	TUBE D-6 L.220	TUYAU D-6 L.220	ROHR D-6 L.220
7	52000419	TUBO D-4 L.635	TUBE D-4 L.635	TUYAU D-4 L.635	ROHR D-4 L.635
8	52003055	TUBO D-2 L.500	TUBE D-2 L.500	TUYAU D-2 L.500	ROHR D-2 L.500
9	20354	VALVOLA CHIUSURA AEA	PRESSURE RELEASE TAP BULK UNIT	CLAPET FERMETURE AUT.ARRIVEE EAU	ABSPERRVENTIL x AUT.WASSERZUFUHR
10	25741	RIDUZIONE AEA MOTORE INCORPORATO	AUTOMATIC WATER REFILL REDUCTION	REDUCTION REMPLISSAGE EAU AUTOMAT.	REDUKTION AUT.WASSERFULLUNG
11	12312	GUARNIZIONE OR FILTRO AEA 10x2	O RING FOR WATER REFILL FILTER 10x2	JOINT OR FILTRE AUT.REM.EAU 10X2	OR DICHTUNG FUR WASSERFULLUNGFILTER
12	10254	FILTRO ACCIAIO 160-200 MESH	STEEL FILTER 160-200 MESH	FILTRE EN ACIER 160-200 MESH	STAHLFILTER 160-200 MESH
13	23206	RACCORDO -L- D10 3/8x1/8CON	ELBOW BRASS CONNECTOR D10 3/8X1/8	RACCORD COUDE LAITON D10 3/8X1/8	MESSING FITTING D10 3/8x1/8
14	12155	GUARNIZIONE RAME 8.5x5x1	COPPER GASKET 8.5X5X1	JOINT CU 8.5X5X1	CU DICHTUNG 8.5x5x1
15	10251001	FILTRO IN ACCIAIO D-8 Sp.0,3	STEEL FILTER D-8 - 0.3 THICK	FILTRE EN ACIER D-8 Ep.0,3	STAHLFILTER D-8 Sp.0,3
16	4618162005	ELETTROVALVOLA AEA 220-240V 50-60Hz VDE/CW	SOL.VALVE WATER REFILL 220/240 50/60HZ	ELECTROVANNE REA 220/240V 50/60Hz VDE/	ELEKTROVENTIL AWZ 230/250 V 50/60 Hz
16	4618195	EL.AEA 110-120V/50-60Hz CW510L	SOL.VALVE WATER REFILL 110/120V 50/60HZ	ELECTROVANNE REA 110/120V 50/60Hz NSF	ELEKTROVENTIL AWZ 110/120V 50/60HZ NSF
17	23201	RACCORDO GOM.D6.2 1/4M 1/8M-AEA	ELBOW BRASS CONNECTOR D6.2 1/4M 1/8M	RACCORD COUDE LAITON D6.2 1/4M 1/8M	MESSING-ANSCHLUSS D6.2 1/4M 1/8M
18	52000426	TUBO D-6 L.550	TUBE D-6 L.550	TUYAU D-6 L.550	ROHR D-6 L.550
19	52000366	TUBO D-6 L.575	TUBE D-6 L.575	TUYAU D-6 L.575	ROHR D-6 L.575
20	52002700	TUBO D-10 L.185	TUBE D-10 L.185	TUYAU D-10 L.185	ROHR D-10 L.185
21	52000400	TUBO D-10 L.110	TUBE D-10 L.110	TUYAU D-10 L.110	ROHR D-10 L.110
22	25356	CONTRODADO OTTONE 3/8	BRASS LOCK NUT 3/8	CONTRE-ECROU LAITON 3/8	MESSING-GEGENMUTTER 3/8
23	25651	RONDELLA OTTONE 3/8	BRASS WASHER 3/8	RONDELLE LAITON 3/8	MESSINGSCHIEBE 3/8
24	53002	CORPO LIVELLO SUPERIORE	UPPER LEVEL CONNECTOR	CORPS DE NIVEAU SUPERIEUR	OBERNIVEAUKORPER
25	53001	CORPO LIVELLO INFERIORE	LOWER LEVEL CONNECTOR	CORPS DE NIVEAU INFERIEUR	UNTERNIVEAUKORPER
26	12200	GUARNIZIONE 16x10x8	GASKET 16X10X8	JOINT 16X10X8	DICHTUNG 16x10x8
27	25652	RONDELLA OTTONE D17.8	BRASS WASHER D.17.8	RONDELLE LAITON D.17.8	MESSING-SCHIEBE D.17.8
28	25383	DADO OTTONE M20x1.5	BRASS NUT 20X1.5	ECROU LAITON 20X1.5	MESSING-MUTTER 20x1.5
29	21300	TUBO VETRO LIVELLO 11x8x170	GLASS LEVEL TUBE 11X8X170	TUBE NIVEAU EN VERRE 11X8X170	NIVEAU GLASROHR 11x8x170
30	12153	GUARNIZIONE RAME 1/4 17x13.3x1.5	GASKET 1/4 17X13.3X1.5 COPPER	JOINT CUIVRE 1/4 17X13.3X1.5	KUPFERDICHTUNG 1/4 17x13.3x1.5
31	25780	TAPPO MASCHIO OTTONE 1/4	BRASS MALE CAP 1/4	BOUCHON MALE LAITON 1/4	MESSING-STOPFEN 1/4
32	56001	ASSIEME TUBO LIVELLO	LEVEL TUBE UNIT	ENSEMBLE TUBE DE NIVEAU	ROHRSATZ FUR NIVEAU
33	44002	COPRILIVELLO VERNICIATO BIANCO	LEVEL INDICATOR COVER PAINTED WHITE	COUVRE-NIVEAU LAQUE BLANC	NIVEAUDECKEL
34	52000420	TUBO D-6 L.250 1GR	TUBE D-6 L.250	TUYAU D-6 L.250	ROHR D-6 L.250
35	52003212	TUBO D-10 L.320	TUBE D-10 L.320	TUYAU D-10 L.320	ROHR D-10 L.320
36	52000365	TUBO D-8 L.280	TUBE D-8 L.280	TUYAU D-8 L.280	ROHR D-8 L.280

SAE 1GR

Pos	Code	Denominazione - IT -	Denomination - EN -	Denomination - FR -	Denomination - DE -
37	52000425	TUBO D-6 L.115	TUBE D-6 L.115	TUYAU D-6 L.115	ROHR D-6 L.115
38	52001350	TUBO D-6 L.105	TUBE D-6 L.105	TUYAU D-6 L.105	ROHR D-6 L.105
39	15502	VASCHETTA SCARICO ROTONDA D 80	ROUND DRAIN BASIN D.80mm	CUVE A VIDANGER RONDE D.80mm	RUNDE ABFLUSSCHALE D.80mm
40	52000427	TUBO D-8 L.230	TUBE D-8 L.230	TUYAU D-8 L.230	ROHR D-8 L.230
41	56134001	ASSIEME BLOCCHETTO POMPA	UNIT PUMP	ENSEMBLE POMPE	PUMPENSATZ
42	53001001	CORPO LIVELLO INFERIORE	LOWER LEVEL CONNECTOR	CORPS DE NIVEAU INFERIEUR	UNTERNIVEAUKORPER
43	12100	GUARNIZIONE CU/ALIM 1/4 18.7x13.2x2.5	CU GASKET 1/4 18.7X13.2X2.5	JOINT CU 1/4 18.7X13.2X2.5	CU DICHTUNG 1/4 18.7x13.2x2.5
44	43030001	RACCORDO INIETTORE 3/8Fx3/8Mx14F	3/8Fx3/8Mx14F INJECTOR FITTING	RACC. INJECTEUR 3/8Fx3/8Mx14F	ANSCHLUSS EINSPRITZER 3/8Fx3/8Mx14F
45	43052	RACCORDO "L" 3/8	CONNECTOR 'L' 3/8	RACCORD 'L' 3/8	ANSCHLUSS 'L' 3/8
46	25732100	RACCORDO 3/8Mx3/8F + SEDE FILTRO	FITTING 3/8Mx3/8F	RACCORD 3/8Mx3/8F	ANSCHLUSS 3/8Mx3/8F
47	20361	VALVOLA S.C.N.R. REGOLABILE	ADJUSTABLE S.C.N.R. VALVE	SOUPAPE S.C.N.R. REGLABLE	EINSTELLBARES VENTIL S.N.C.R.
48	52000359	TUBO D-6 L.180	TUBE D-6 L.180	TUYAU D-6 L.180	ROHR D-6 L.180
49	25686	RACCORDO 1/4x1/4	CONNECTOR 1/4 x 1/4	RACCORD 1/4 x 1/4	ANSCHLUSS 1/4x1/4
50	25708	RACCORDO 1/4x1/4	1/4x1/4 FITTING	RACCORD 1/4x1/4	ANSCHLUSS 1/4x1/4
51	12329	GUARNIZIONE OR HNBR 7.66xW1.78	GASKET OR HNBR 7.66xW1.78	JOINT OR HNBR 7.66x1.78	OR DICHTUNG HNBR 7.66xW1.78
52	18126	DOSATORE FLOWMETER	FLOWMETER DOSER	DOSEUR FLOWMETER	DOSIERER FLOWMETER
53	56122000	ASSIEME DOSATORE	DOSER KIT	KIT DOSEUR	DOSIERER
54	43067	RACCORDO "L" 3/8 GASx3/8 GAS L.30	3/8 GAS X 3/8 GAS L FITTING L.30	RACCORD L 3/8 GAZx3/8 GAZ L.30	ANSCHLUSS L 3/8 GAS x 3/8 GAS L. 30

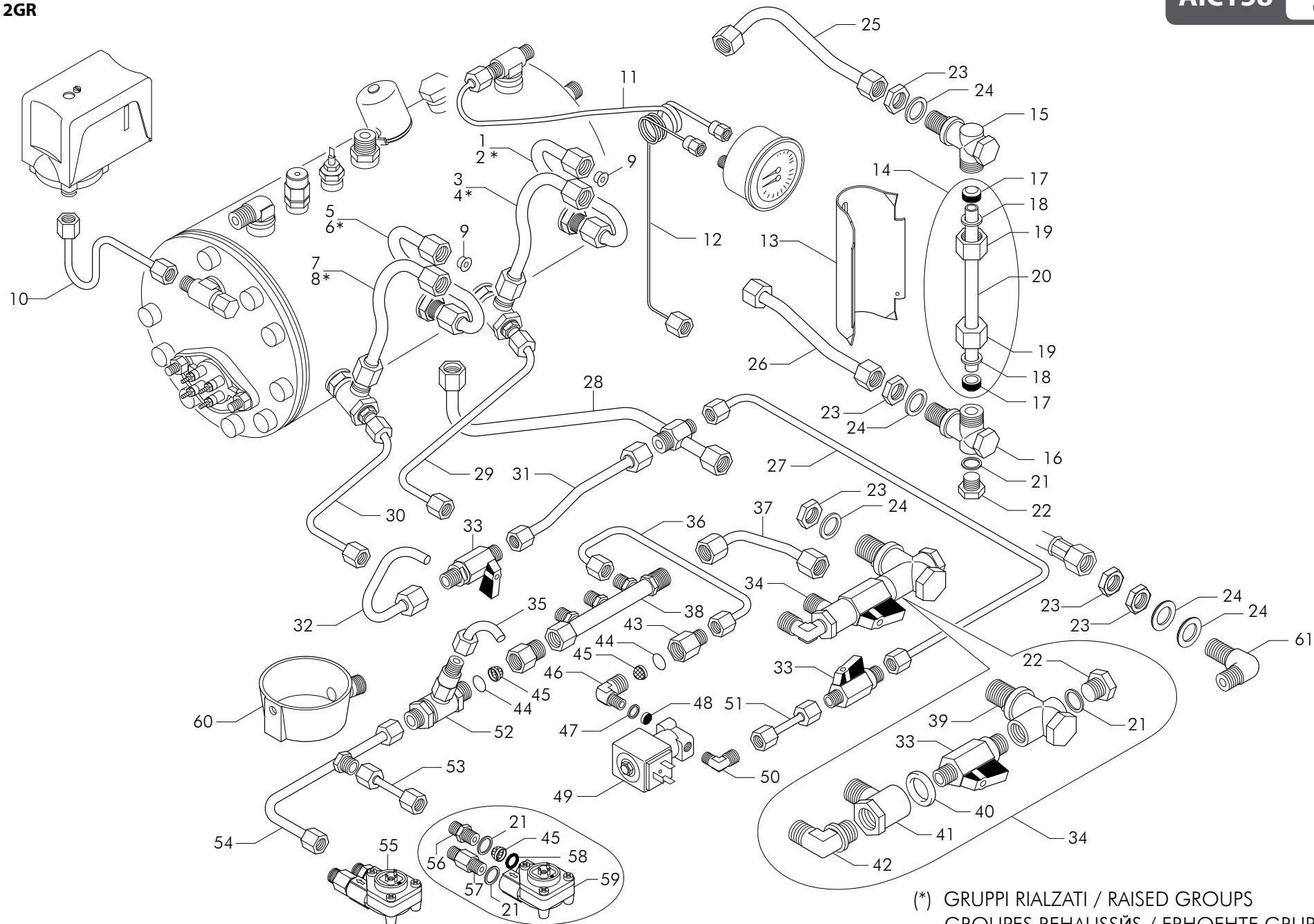


SAE COMPATTA

Pos	Code	Denominazione - IT -	Denomination - EN -	Denomination - FR -	Denomination - DE -
1	52000540	TUBO D-10 L.255	TUBE D-10 L.255	TUYAU D-10 L.255	ROHR D-10 L.255
2	23293	STROZZATURA RICIRCOLO GR D 4	REDUCED CONNECTOR OF GROUP D4	RACCORD REDUIT DU GROUPE D4	VERKLEINERTE FITTING DER GRUPPE D4
3	52001202	TUBO D-10 L.250	TUBE D-10 L.250	TUYAU D-10 L.250	ROHR D-10 L.250
4	52000634	TUBO D-8 L.300	TUBE D-8 L.300	TUYAU D-8 L.300	ROHR D-8 L.300
5	52003311	TUBO D-6 L.400	TUBE D-6 L.400	TUYAU D-6 L.400	ROHR D-6 L.400
6	52003315	TUBO D-8 L.205	TUBE D-8 L.205	TUYAU D-8 L.205	ROHR D-8 L.205
7	23201	RACCORDO GOM.D6.2 1/4M 1/8M-AEA	ELBOW BRASS CONNECTOR D6.2 1/4M 1/8M	RACCORD COUDE LAITON D6.2 1/4M 1/8M	MESSING-ANSCHLUSS D6.2 1/4M 1/8M
8	4618162005	ELETTROVALVOLA AEA 220-240V 50-60Hz VDE/CW	SOL.VALVE WATER REFILL 220/240 50/60HZ	ELECTROVANNE REA 220/240V 50/60Hz VDE/	ELEKTROVENTIL AWZ 230/250 V 50/60 Hz
8	4618195	EL.AEA 110-120V/50-60Hz CW510L	SOL.VALVE WATER REFILL 110/120V 50/60HZ	ELECTROVANNE REA 110/120V 50/60Hz NSF	ELEKTROVENTIL AWZ 110/120V 50/60Hz NSF
9	10251001	FILTRO IN ACCIAIO D-8 Sp.0,3	STEEL FILTER D-8 - 0.3 THICK	FILTRE EN ACIER D-8 Ep.0,3	STAHLFILTER D-8 Sp.0,3
10	12155	GUARNIZIONE RAME 8.5x5x1	COPPER GASKET 8.5X5X1	JOINT CU 8.5X5X1	CU DICHTUNG 8.5x5x1
11	25707	RACCORDO 1/8x1/4	CONNECTOR 1/8x1/4	RACCORD 1/8x1/4	ANSCHLUSS 1/8x1/4
12	52000421	TUBO D-8 L.45	TUBE D-8 L.45	TUYAU D-8 L.45	ROHR D-8 L.45
13	52000635	TUBO D-4 L.450	TUBE D-4 L.450	TUYAU D-4 L.450	ROHR D-4 L.450
14	52000633	TUBO D-8 L.285	TUBE D-8 L.285	TUYAU D-8 L.285	ROHR D-8 L.285
15	52003303	TUBO D-6 L.600	TUBE D-6 L.600	TUYAU D-6 L.600	ROHR D-6 L.600
16	25705	RACCORDO FILTRO AEA	AUT.WATER REFILL FILTER CONNECTOR	RACCORD FILTRE REM.EAU.AUT.	FILTERFITTING AUT.WASSERFULLUNG
17	12312	GUARNIZIONE OR FILTRO AEA 10x2	O RING FOR WATER REFILL FILTER 10x2	JOINT OR FILTRE AUT.REM.EAU 10X2	OR DICHTUNG FUR WASSERFULLUNGFILTER
18	10254	FILTRO ACCIAIO 160-200 MESH	STEEL FILTER 160-200 MESH	FILTRE EN ACIER 160-200 MESH	STAHLFILTER 160-200 MESH
19	23217	RACCORDO -L- D10 3/8x1/8 CON F 1.2	FITTING D10 3/8x1/8 AWI F 1.2	RACCORD GOMME D10 3/8x1/8 F 1.2	FITTING D10 3/8x1/8 MIT F 1.2
20	25356	CONTRODADO OTTONE 3/8	BRASS LOCK NUT 3/8	CONTRE-ECROU LAITON 3/8	MESSING-GEGENMUTTER 3/8
21	25651	RONDELLA OTTONE 3/8	BRASS WASHER 3/8	RONDELLE LAITON 3/8	MESSINGSCHIEBE 3/8
22	43067	RACCORDO "L" 3/8 GASx3/8 GAS L.30	3/8 GAS X 3/8 GAS L FITTING L.30	RACCORD L 3/8 GAZx3/8 GAZ L.30	ANSCHLUSS L 3/8 GAS x 3/8 GAS L. 30
23	52000321	TUBO D-6 L.255	TUBE D-6 L.255	TUYAU D-6 L.255	ROHR D. 6 L.255
24	25780	TAPPO MASCHIO OTTONE 1/4	BRASS MALE CAP 1/4	BOUCHON MALE LAITON 1/4	MESSING-STOPFEN 1/4
25	12153	GUARNIZIONE RAME 1/4 17x13.3x1.5	GASKET 1/4 17x13.3x1.5 COPPER	JOINT CUIVRE 1/4 17x13.3x1.5	KUPFERDICHTUNG 1/4 17x13.3x1.5
26	53001001	CORPO LIVELLO INFERIORE	LOWER LEVEL CONNECTOR	CORPS DE NIVEAU INFERIEUR	UNTERNIVEAUKORPER
27	20354	VALVOLA CHIUSURA AEA	PRESSURE RELEASE TAP BULK UNIT	CLAPET FERMETURE AUT.ARRIVEE EAU	ABSPERRVENTIL x AUT.WASSERZUFUHR
28	12100	GUARNIZIONE CU/ALIM 1/4 18.7x13.2x2.5	CU GASKET 1/4 18.7X13.2X2.5	JOINT CU 1/4 18.7X13.2X2.5	CU DICHTUNG 1/4 18.7x13.2x2.5
29	43030001	RACCORDO INIETTORE 3/8Fx3/8Mx14F	3/8Fx3/8Mx14F INJECTOR FITTING	RACC. INJECTEUR 3/8Fx3/8Mx14F	ANSCHLUSS EINSPRITZER 3/8Fx3/8Mx14F
30	52003319	TUBO D-8 L.235	TUBE D-8 L.235 CW 3/A	TUYAU D-8 L.235 CW 3/A	ROHR D-8 L.235 CW 3/A
31	20361	VALVOLA S.C.N.R. REGOLABILE	ADJUSTABLE S.C.N.R. VALVE	SOUPAPE S.C.N.R. REGLABLE	EINSTELLBARES VENTIL S.N.C.R.
32	52001350	TUBO D-6 L.105	TUBE D-6 L.105	TUYAU D-6 L.105	ROHR D-6 L.105
33	52003305	TUBO D-6 L.150	TUBE D-6 L.150	TUYAU D-6 L.150	ROHR D-6 L.150
34	25686	RACCORDO 1/4x1/4	CONNECTOR 1/4 x 1/4	RACCORD 1/4 x 1/4	ANSCHLUSS 1/4x1/4
35	56122000	ASSIEME DOSATORE	DOSEUR KIT	KIT DOSEUR	DOSIERER
36	25708	RACCORDO 1/4x1/4	1/4x1/4 FITTING	RACCORD 1/4x1/4	ANSCHLUSS 1/4x1/4
37	12329	GUARNIZIONE OR HNBR 7.66xW1.78	GASKET OR HNBR 7.66xW1.78	JOINT OR HNBR 7.66x1.78	OR DICHTUNG HNBR 7.66xW1.78

SAE COMPATTA

Pos	Code	Denominazione - IT -	Denomination - EN -	Denomination - FR -	Denomination - DE -
38	52003306	TUBO D-6 L.155	TUBE D-6 L.155	TUYAU D-6 L.155	ROHR D-6 L.155
39	52003307	TUBO D-6 L.300	TUBE D-6 L.300	TUYAU D-6 L.300	ROHR D-6 L.300
40	52003308	TUBO D-6 L.150	TUBE D-6 L.150	TUYAU D-6 L.150	ROHR D-6 L.150
41	52000110	TUBO D-4 L.730	TUBE D-4 L.730	TUYAU D-4 L.730	ROHR D-4 L.730
42	52003301	TUBO D-10 L.310	TUBE D-10 L.310	TUYAU D-10 L.310	ROHR D-10 L.310
43	257396	RACCORDO SCARICO CALDAIA ASSIEMATO	ASSEMBLED BOILER DRAIN JOINT	RACCORD	ANSCHLUSS
44	15477013	TUBO SILICONE 6x9	TUBE SILICONE 6x9	TUYAU SILICONE 6x9	ROHR SILIKON 6x9
45	15502	VASCHETTA SCARICO ROTONDA D 80	ROUND DRAIN BASIN D.80mm	CUVE A VIDANGER RONDE D.80mm	RUNDE ABFLUSSCHALE D.80mm
46	18126	DOSATORE FLOWMETER	FLOWMETER DOSER	DOSEUR FLOWMETER	DOSIERER FLOWMETER



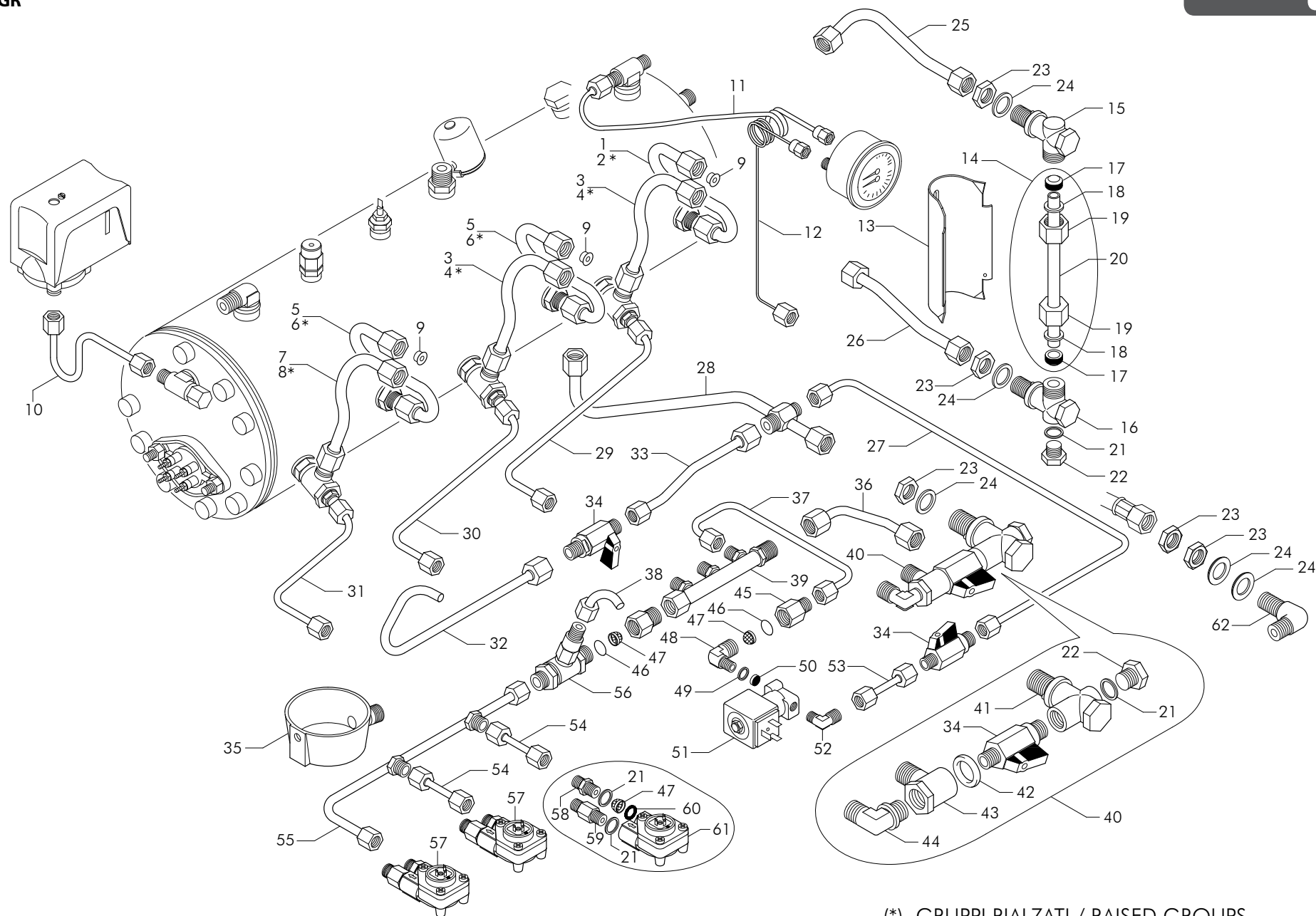
(*) GRUPPI RIALZATI / RAISED GROUPS
GROUPES REHAUSSÉS / ERHOEHTE GRUPPEN

SAE 2GR

Pos	Code	Denominazione - IT -	Denomination - EN -	Denomination - FR -	Denomination - DE -
1	52003934	TUBO D-10 L.210	TUBE D-10 L.210	TUYAU D-10 L.210	ROHR D-10 L.210
2	52000487	TUBO D-10 L.205	TUBE D-10 L.205	TUYAU D-10 L.205	ROHR D-10 L.205
3	52000245	TUBO D-10 L.165	TUBE D-10 L.165	TUYAU D-10 L.165	ROHR D-10 L.165
4	52000488	TUBO D-10 L.200	TUBE D-10 L.200	TUYAU D-10 L.200	ROHR D-10 L.200
5	52000214	TUBO D-10 L.195	TUBE D-10 L.195	TUYAU D-10 L.195	ROHR D-10 L.195
6	52000489	TUBO D-10 L.240	TUBE D-10 L.240	TUYAU D-10 L.240	ROHR D-10 L.240
7	52000272	TUBO D-10 L.135	TUBE D-10 L.135	TUYAU D-10 L.135	ROHR D. 10 L.135
8	52000490	TUBO D-10 L.180	TUBE D-10 L.180	TUYAU D-10 L.180	ROHR D-10 L.180
9	23294001	STROZZATURA RICIRCOLO GR CTS D 2.5	CTS UNIT D 2.5 RECIRC. NECK	ETRANGLEMENT RECYCLAGE GR.D.2.5	ENGSTELLE UMWALZUNG D. 2.5
9	23294003	STROZZATURA RICIRCOLO GR CTS D 4	CTS UNIT D 4 RECIRC. NECK	ETRANGLEMENT RECYCLAGE GR.D.4	ENGSTELLE UMWALZUNG D. 4
10	52003932	TUBO D-6 L.165	TUBE D-6 L.165	TUYAU D-6 L.165	ROHR D-6 L.165
11	52000405	TUBO D-4 L.700	TUBE D-4 L.700	TUYAU D-4 L.700	ROHR D-4 L.700
12	52003055	TUBO D-2 L.500	TUBE D-2 L.500	TUYAU D-2 L.500	ROHR D-2 L.500
13	44002	COPRILIVELLO VERNICIATO BIANCO	LEVEL INDICATOR COVER PAINTED WHITE	COUVRE-NIVEAU LAQUE BLANC	NIVEAUDECKEL
14	56001	ASSIEME TUBO LIVELLO	LEVEL TUBE UNIT	ENSEMBLE TUBE DE NIVEAU	ROHRSATZ FUR NIVEAU
15	53002	CORPO LIVELLO SUPERIORE	UPPER LEVEL CONNECTOR	CORPS DE NIVEAU SUPERIEUR	OBERNIVEAUKORPER
16	53001	CORPO LIVELLO INFERIORE	LOWER LEVEL CONNECTOR	CORPS DE NIVEAU INFERIEUR	UNTERNIVEAUKORPER
17	12200	GUARNIZIONE 16x10x8	GASKET 16X10X8	JOINT 16X10X8	DICHTUNG 16x10x8
18	25652	RONDELLA OTTONE D17.8	BRASS WASHER D.17.8	RONDELLE LAITON D.17.8	MESSING-SCHEIBE D.17.8
19	25383	DADO OTTONE M20x1.5	BRASS NUT 20X1.5	ECROU LAITON 20X1.5	MESSING-MUTTER 20x1.5
20	21300	TUBO VETRO LIVELLO 11x8x170	GLASS LEVEL TUBE 11X8X170	TUBE NIVEAU EN VERRE 11X8X170	NIVEAU GLASROHR 11x8x170
21	12153	GUARNIZIONE RAME 1/4 17x13.3x1.5	GASKET 1/4 17x13.3x1.5 COPPER	JOINT CUIVRE 1/4 17x13.3x1.5	KUPFERDICHTUNG 1/4 17x13.3x1.5
22	25780	TAPPO MASCHIO OTTONE 1/4	BRASS MALE CAP 1/4	BOUCHON MALE LAITON 1/4	MESSING-STOPFEN 1/4
23	25356	CONTRODADO OTTONE 3/8	BRASS LOCK NUT 3/8	CONTRE-ECROU LAITON 3/8	MESSING-GEGENMUTTER 3/8
24	25651	RONDELLA OTTONE 3/8	BRASS WASHER 3/8	RONDELLE LAITON 3/8	MESSINGSCHIEBE 3/8
25	52002700	TUBO D-10 L.185	TUBE D-10 L.185	TUYAU D-10 L.185	ROHR D-10 L.185
26	52000400	TUBO D-10 L.110	TUBE D-10 L.110	TUYAU D-10 L.110	ROHR D-10 L.110
27	52001589	TBS.D-6 L.275 AR223	TUBE D-6 L.275	TUYAU D-6 L.275	ROHR D-6 L.275
28	52003212	TUBO D-10 L.320	TUBE D-10 L.320	TUYAU D-10 L.320	ROHR D-10 L.320
29	52000402	TUBO D-6 L.395	TUBE D-6 L.395	TUYAU D-6 L.395	ROHR D-6 L.395
30	52000403	TUBO D-6 L.310	TUBE D-6 L.310	TUYAU D-6 L.310	ROHR D-6 L.310
31	52000361	TUBO D-8 L.135	TUBE D-8 L.135	TUYAU D-8 L.135	ROHR D-8 L.135
32	52000267	TUBO D-8 L.100	TUBE D-8 L.100	TUYAU D-8 L.100	ROHR D. 8 L.100
33	20354	VALVOLA CHIUSURA AEA	PRESSURE RELEASE TAP BULK UNIT	CLAPET FERMETURE AUT.ARRIVEE EAU	ABSPERRVENTIL x AUT.WASSERZUFUHR
34	56134001	ASSIEME BLOCCHETTO POMPA	UNIT PUMP	ENSEMBLE POMPE	PUMPENSATZ
35	52002898	TUBO D-6 L.50	TUBE D-6 L.50	TUYAU D-6 L.50	ROHR D. 6 L.50
36	52000321	TUBO D-6 L.255	TUBE D-6 L.255	TUYAU D-6 L.255	ROHR D. 6 L.255
37	52000367	TUBO D-8 L.150	TUBE D-8 L.150	TUYAU D-8 L.150	ROHR D-8 L.150

SAE 2GR

Pos	Code	Denominazione - IT -	Denomination - EN -	Denomination - FR -	Denomination - DE -
38	56136004	ASSIEME BLOCCO DISTRIBU2.2-3-4GR	DISTRIBUTION BLOCK 2-3-4GR	BLOC DISTRIBUTION 2-3-4GR	BLOCK VERTEILER 2-3-4GR
39	53001001	CORPO LIVELLO INFERIORE	LOWER LEVEL CONNECTOR	CORPS DE NIVEAU INFERIEUR	UNTERNIVEAUKORPER
40	12100	GUARNIZIONE CU/ALIM 1/4 18.7x13.2x2.5	CU GASKET 1/4 18.7X13.2X2.5	JOINT CU 1/4 18.7X13.2X2.5	CU DICHTUNG 1/4 18.7x13.2x2.5
41	43030001	RACCORDO INIETTORE 3/8Fx3/8Mx14F	3/8Fx3/8Mx14F INJECTOR FITTING	RACC. INJECTEUR 3/8Fx3/8Mx14F	ANSCHLUSS EINSPRITZER 3/8Fx3/8Mx14F
42	43052	RACCORDO "L" 3/8	CONNECTOR 'L' 3/8	RACCORD 'L' 3/8	ANSCHLUSS 'L' 3/8
43	25705	RACCORDO FILTRO AEA	AUT.WATER REFILL FILTER CONNECTOR	RACCORD FILTRE REM.EAU.AUT.	FILTERFITTING AUT.WASSERFULLUNG
44	12312	GUARNIZIONE OR FILTRO AEA 10x2	O RING FOR WATER REFILL FILTER 10x2	JOINT OR FILTRE AUT.REM.EAU 10X2	OR DICHTUNG FUR WASSERFULLUNGFILTER
45	10254	FILTRO ACCIAIO 160-200 MESH	STEEL FILTER 160-200 MESH	FILTRE EN ACIER 160-200 MESH	STAHLFILTER 160-200 MESH
46	23206	RACCORDO -L- D10 3/8x1/8CON	ELBOW BRASS CONNECTOR D10 3/8X1/8	RACCORD COUDE LAITON D10 3/8X1/8	MESSING FITTING D10 3/8x1/8
47	12155	GUARNIZIONE RAME 8.5x5x1	COPPER GASKET 8.5X5X1	JOINT CU 8.5X5X1	CU DICHTUNG 8.5x5x1
48	10251001	FILTRO IN ACCIAIO D-8 Sp.0,3	STEEL FILTER D-8 - 0.3 THICK	FILTRE EN ACIER D-8 Ep.0,3	STAHLFILTER D-8 Sp.0,3
49	4618162005	ELETTRIVALVOLA AEA 220-240V 50-60Hz VDE/CW	SOL.VALVE WATER REFILL 220/240 50/60HZ	ELECTROVANNE REA 220/240V 50/60Hz VDE/	ELEKTROVENTIL AWZ 230/250 V 50/60 Hz
49	4618195	EL.AEA 110-120V/50-60Hz CW510L	SOL.VALVE WATER REFILL 110/120V 50/60HZ	ELECTROVANNE REA 110/120V 50/60Hz NSF	ELEKTROVENTIL AWZ 110/120V 50/60Hz NSF
50	23201	RACCORDO GOM.D6.2 1/4M 1/8M-AEA	ELBOW BRASS CONNECTOR D6.2 1/4M 1/8M	RACCORD COUDE LAITON D6.2 1/4M 1/8M	MESSING-ANSCHLUSS D6.2 1/4M 1/8M
51	52001590	TUBO D-6 L.28	TUBE D-6 L.28	TUYAU D-6 L.28	ROHR D-6 L.28
52	20361	VALVOLA S.C.N.R. REGOLABILE	ADJUSTABLE S.C.N.R. VALVE	SOUPAPE S.C.N.R. REGLABLE	EINSTELLBARES VENTIL S.N.C.R.
53	52000202	TUBO D-6 L.65	TUBE D-6 L.65	TUYAU D-6 L.65	ROHR D. 6 L.65
54	52000320	TUBO D-8 L.215	TUBE D-8 L.215	TUYAU D-8 L.215	ROHR D. 8 L.215
55	56122000	ASSIEME DOSATORE	DOSER KIT	KIT DOSEUR	DOSIERER
56	25686	RACCORDO 1/4x1/4	CONNECTOR 1/4 x 1/4	RACCORD 1/4 x 1/4	ANSCHLUSS 1/4x1/4
57	25708	RACCORDO 1/4x1/4	1/4x1/4 FITTING	RACCORD 1/4x1/4	ANSCHLUSS 1/4x1/4
58	12329	GUARNIZIONE OR HNBR 7.66xW1.78	GASKET OR HNBR 7.66xW1.78	JOINT OR HNBR 7.66x1.78	OR DICHTUNG HNBR 7.66xW1.78
59	18126	DOSATORE FLOWMETER	FLOWMETER DOSER	DOSEUR FLOWMETER	DOSIERER FLOWMETER
60	15502	VASCHETTA SCARICO ROTONDA D 80	ROUND DRAIN BASIN D.80mm	CUVE A VIDANGER RONDE D.80mm	RUNDE ABFLUSSCHALE D.80mm
61	43067	RACCORDO "L" 3/8 GASx3/8 GAS L.30	3/8 GAS X 3/8 GAS L FITTING L.30	RACCORD L 3/8 GAZx3/8 GAZ L.30	ANSCHLUSS L 3/8 GAS x 3/8 GAS L. 30



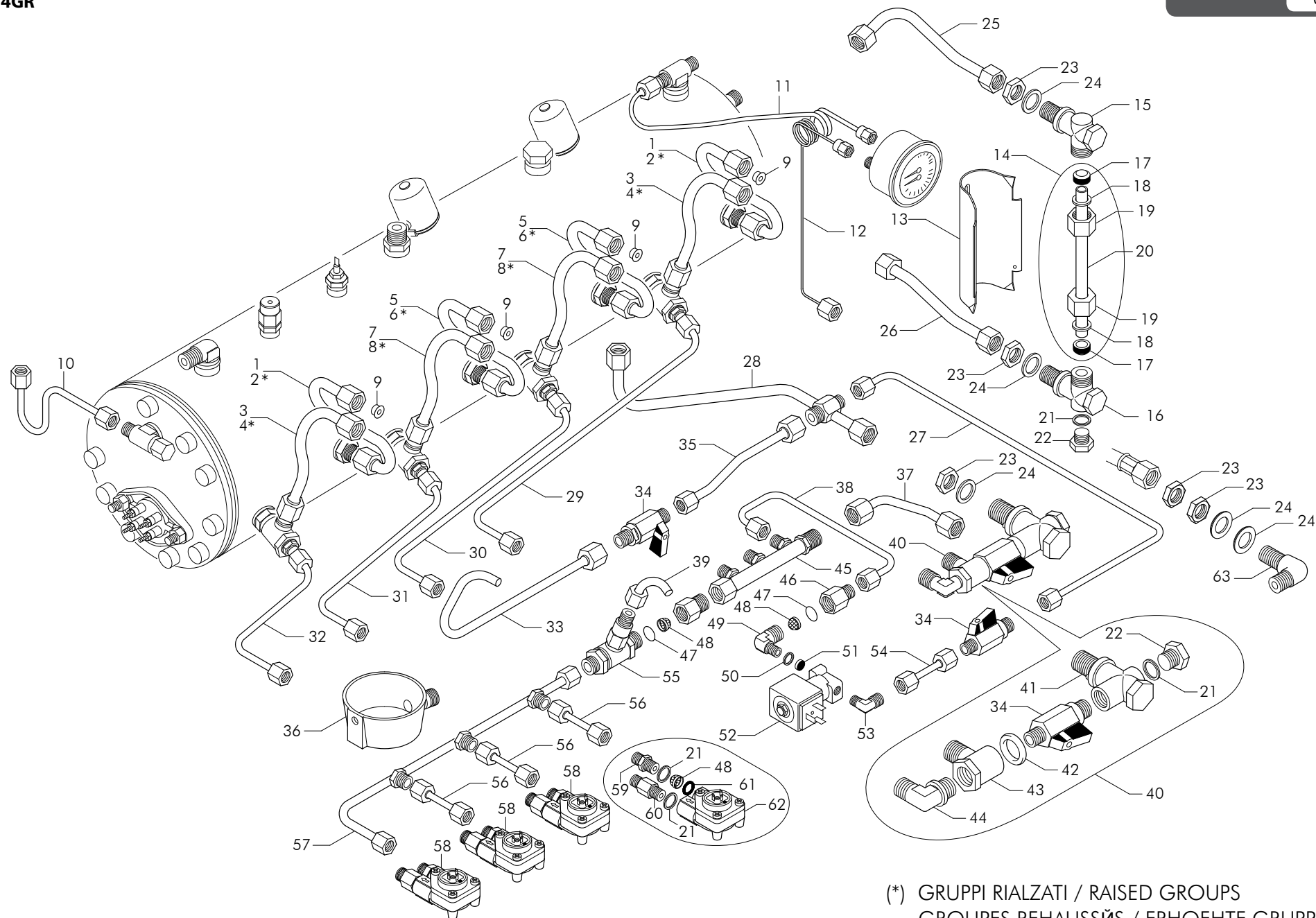
(*) GRUPPI RIALZATI / RAISED GROUPS
GROUPES REHAUSSÉS / ERHOEHTE GRUPPEN

SAE 3GR

Pos	Code	Denominazione - IT -	Denomination - EN -	Denomination - FR -	Denomination - DE -
1	52003934	TUBO D-10 L.210	TUBE D-10 L.210	TUYAU D-10 L.210	ROHR D-10 L.210
2	52000487	TUBO D-10 L.205	TUBE D-10 L.205	TUYAU D-10 L.205	ROHR D-10 L.205
3	52000245	TUBO D-10 L.165	TUBE D-10 L.165	TUYAU D-10 L.165	ROHR D-10 L.165
4	52000488	TUBO D-10 L.200	TUBE D-10 L.200	TUYAU D-10 L.200	ROHR D-10 L.200
5	52000214	TUBO D-10 L.195	TUBE D-10 L.195	TUYAU D-10 L.195	ROHR D-10 L.195
6	52000489	TUBO D-10 L.240	TUBE D-10 L.240	TUYAU D-10 L.240	ROHR D-10 L.240
7	52000272	TUBO D-10 L.135	TUBE D-10 L.135	TUYAU D-10 L.135	ROHR D. 10 L.135
8	52000490	TUBO D-10 L.180	TUBE D-10 L.180	TUYAU D-10 L.180	ROHR D-10 L.180
9	23294001	STROZZATURA RICIRCOLO GR CTS D 2.5	CTS UNIT D 2.5 RECIRC. NECK	ETRANGLEMENT RECYCLAGE GR.D.2.5	ENGSTELLE UMWALZUNG D. 2.5
9	23294003	STROZZATURA RICIRCOLO GR CTS D 4	CTS UNIT D 4 RECIRC. NECK	ETRANGLEMENT RECYCLAGE GR.D.4	ENGSTELLE UMWALZUNG D. 4
10	52003932	TUBO D-6 L.165	TUBE D-6 L.165	TUYAU D-6 L.165	ROHR D-6 L.165
11	52000414	TUBO D-4 L.800	TUBE D-4 L.800	TUYAU D-4 L.800	ROHR D-4 L.800
12	52003057	TUBO D-2 L.1000	TUBE D-2 L.1000	TUYAU D-2 L.1000	ROHR D-2 L.10000
13	44002	COPRILIVELLO VERNICIATO BIANCO	LEVEL INDICATOR COVER PAINTED WHITE	COUVRE-NIVEAU LAQUE BLANC	NIVEAUDECKEL
14	56001	ASSIEME TUBO LIVELLO	LEVEL TUBE UNIT	ENSEMBLE TUBE DE NIVEAU	ROHRSATZ FUR NIVEAU
15	53002	CORPO LIVELLO SUPERIORE	UPPER LEVEL CONNECTOR	CORPS DE NIVEAU SUPERIEUR	OBERNIVEAUKORPER
16	53001	CORPO LIVELLO INFERIORE	LOWER LEVEL CONNECTOR	CORPS DE NIVEAU INFERIEUR	UNTERNIVEAUKORPER
17	12200	GUARNIZIONE 16x10x8	GASKET 16X10X8	JOINT 16X10X8	DICHTUNG 16x10x8
18	25652	RONDELLA OTTONE D17.8	BRASS WASHER D.17.8	RONDELLE LAITON D.17.8	MESSING-SCHEIBE D.17.8
19	25383	DADO OTTONE M20x1.5	BRASS NUT 20X1.5	ECROU LAITON 20X1.5	MESSING-MUTTER 20x1.5
20	21300	TUBO VETRO LIVELLO 11x8x170	GLASS LEVEL TUBE 11X8X170	TUBE NIVEAU EN VERRE 11X8X170	NIVEAU GLASROHR 11x8x170
21	12153	GUARNIZIONE RAME 1/4 17x13.3x1.5	GASKET 1/4 17x13.3x1.5 COPPER	JOINT CUIVRE 1/4 17x13.3x1.5	KUPFERDICHTUNG 1/4 17x13.3x1.5
22	25780	TAPPO MASCHIO OTTONE 1/4	BRASS MALE CAP 1/4	BOUCHON MALE LAITON 1/4	MESSING-STOPFEN 1/4
23	25356	CONTRODADO OTTONE 3/8	BRASS LOCK NUT 3/8	CONTRE-ECROU LAITON 3/8	MESSING-GEGENMUTTER 3/8
24	25651	RONDELLA OTTONE 3/8	BRASS WASHER 3/8	RONDELLE LAITON 3/8	MESSINGSCHIEBE 3/8
25	52002700	TUBO D-10 L.185	TUBE D-10 L.185	TUYAU D-10 L.185	ROHR D-10 L.185
26	52000400	TUBO D-10 L.110	TUBE D-10 L.110	TUYAU D-10 L.110	ROHR D-10 L.110
27	52000205	TUBO D-6 L.230	TUBE D-6 L.230	TUYAU D-6 L.230	ROHR D. 6 L.230
28	52003212	TUBO D-10 L.320	TUBE D-10 L.320	TUYAU D-10 L.320	ROHR D-10 L.320
29	52000415	TUBO D-6 L.530	TUBE D-6 L.530	TUYAU D-6 L.530	ROHR D-6 L.530
30	52000402	TUBO D-6 L.395	TUBE D-6 L.395	TUYAU D-6 L.395	ROHR D-6 L.395
31	52000403	TUBO D-6 L.310	TUBE D-6 L.310	TUYAU D-6 L.310	ROHR D-6 L.310
32	52000362	TUBO D-8 L.255	TUBE D-8 L.255	TUYAU D-8 L.255	ROHR D-8 L.255
33	52000361	TUBO D-8 L.135	TUBE D-8 L.135	TUYAU D-8 L.135	ROHR D-8 L.135
34	20354	VALVOLA CHIUSURA AEA	PRESSURE RELEASE TAP BULK UNIT	CLAPET FERMETURE AUT.ARRIVEE EAU	ABSPERRVENTIL x AUT.WASSERZUFUHR
35	15502	VASCHETTA SCARICO ROTONDA D 80	ROUND DRAIN BASIN D.80mm	CUVE A VIDANGER RONDE D.80mm	RUNDE ABFLUSSCHALE D.80mm
36	52000367	TUBO D-8 L.150	TUBE D-8 L.150	TUYAU D-8 L.150	ROHR D-8 L.150
37	52000321	TUBO D-6 L.255	TUBE D-6 L.255	TUYAU D-6 L.255	ROHR D. 6 L.255

SAE 3GR

Pos	Code	Denominazione - IT -	Denomination - EN -	Denomination - FR -	Denomination - DE -
38	52001351	TUBO D-6 L.170	TUBE D-6 L.170	TUYAU D-6 L.170	ROHR D-6 L.170
39	56136004	ASSIEME BLOCCO DISTRIBUZZ.2-3-4GR	DISTRIBUTION BLOCK 2-3-4GR	BLOC DISTRIBUTION 2-3-4GR	BLOCK VERTEILER 2-3-4GR
40	56134001	ASSIEME BLOCCHETTO POMPA	UNIT PUMP	ENSEMBLE POMPE	PUMPENSATZ
41	53001001	CORPO LIVELLO INFERIORE	LOWER LEVEL CONNECTOR	CORPS DE NIVEAU INFERIEUR	UNTERNIVEAUKORPER
42	12100	GUARNIZIONE CU/ALIM 1/4 18.7x13.2x2.5	CU GASKET 1/4 18.7X13.2X2.5	JOINT CU 1/4 18.7X13.2X2.5	CU DICHTUNG 1/4 18.7x13.2x2.5
43	43030001	RACCORDO INIETTORE 3/8Fx3/8Mx14F	3/8Fx3/8Mx14F INJECTOR FITTING	RACC. INJECTEUR 3/8Fx3/8Mx14F	ANSCHLUSS EINSPRITZER 3/8Fx3/8Mx14F
44	43052	RACCORDO "L" 3/8	CONNECTOR 'L' 3/8	RACCORD 'L' 3/8	ANSCHLUSS 'L' 3/8
45	25705	RACCORDO FILTRO AEA	AUT.WATER REFILL FILTER CONNECTOR	RACCORD FILTRE REM.EAU.AUT.	FILTERFITTING AUT.WASSERFULLUNG
46	12312	GUARNIZIONE OR FILTRO AEA 10x2	O RING FOR WATER REFILL FILTER 10x2	JOINT OR FILTRE AUT.REM.EAU 10X2	OR DICHTUNG FUR WASSERFULLUNGFILTER
47	10254	FILTRO ACCIAIO 160-200 MESH	STEEL FILTER 160-200 MESH	FILTRE EN ACIER 160-200 MESH	STAHLFILTER 160-200 MESH
48	23206	RACCORDO -L- D10 3/8x1/8CON	ELBOW BRASS CONNECTOR D10 3/8X1/8	RACCORD COUDE LAITON D10 3/8X1/8	MESSING FITTING D10 3/8x1/8
49	12155	GUARNIZIONE RAME 8.5x5x1	COPPER GASKET 8.5X5X1	JOINT CU 8.5X5X1	CU DICHTUNG 8.5x5x1
50	10251001	FILTRO IN ACCIAIO D-8 Sp.0,3	STEEL FILTER D-8 - 0.3 THICK	FILTRE EN ACIER D-8 Ep.0,3	STAHLFILTER D-8 Sp.0,3
51	4618162005	ELETTROVALVOLA AEA 220-240V 50-60Hz VDE/CW	SOL.VALVE WATER REFILL 220/240 50/60HZ	ELECTROVANNE REA 220/240V 50/60Hz VDE/	ELEKTROVENTIL AWZ 230/250 V 50/60 Hz
51	4618195	EL.AEA 110-120V/50-60Hz CW510L	SOL.VALVE WATER REFILL 110/120V 50/60HZ	ELECTROVANNE REA 110/120V 50/60Hz NSF	ELEKTROVENTIL AWZ 110/120V 50/60Hz NSF
52	23201	RACCORDO GOM.D6.2 1/4M 1/8M-AEA	ELBOW BRASS CONNECTOR D6.2 1/4M 1/8M	RACCORD COUDE LAITON D6.2 1/4M 1/8M	MESSING-ANSCHLUSS D6.2 1/4M 1/8M
53	52001428	TUBO D-6 L.50	TUBE D-6 L.50	TUYAU D-6 L.50	ROHR D-6 L.50
54	52000202	TUBO D-6 L.65	TUBE D-6 L.65	TUYAU D-6 L.65	ROHR D. 6 L.65
55	52000322	TUBO D-8 L.470	TUBE D-8 L.440	TUYAU D-8 L.445	ROHR D. 8 L.445
56	20361	VALVOLA S.C.N.R. REGOLABILE	ADJUSTABLE S.C.N.R. VALVE	SOUPAPE S.C.N.R. REGLABLE	EINSTELLBARES VENTIL S.N.C.R.
57	56122000	ASSIEME DOSATORE	DOSER KIT	KIT DOSEUR	DOSIERER
58	25686	RACCORDO 1/4x1/4	CONNECTOR 1/4 x 1/4	RACCORD 1/4 x 1/4	ANSCHLUSS 1/4x1/4
59	25708	RACCORDO 1/4x1/4	1/4x1/4 FITTING	RACCORD 1/4x1/4	ANSCHLUSS 1/4x1/4
60	12329	GUARNIZIONE OR HNBR 7.66xW1.78	GASKET OR HNBR 7.66xW1.78	JOINT OR HNBR 7.66x1.78	OR DICHTUNG HNBR 7.66xW1.78
61	18126	DOSATORE FLOWMETER	FLOWMETER DOSER	DOSEUR FLOWMETER	DOSIERER FLOWMETER
62	43067	RACCORDO "L" 3/8 GASx3/8 GAS L.30	3/8 GAS X 3/8 GAS L FITTING L.30	RACCORD L 3/8 GAZx3/8 GAZ L.30	ANSCHLUSS L 3/8 GAS x 3/8 GAS L. 30



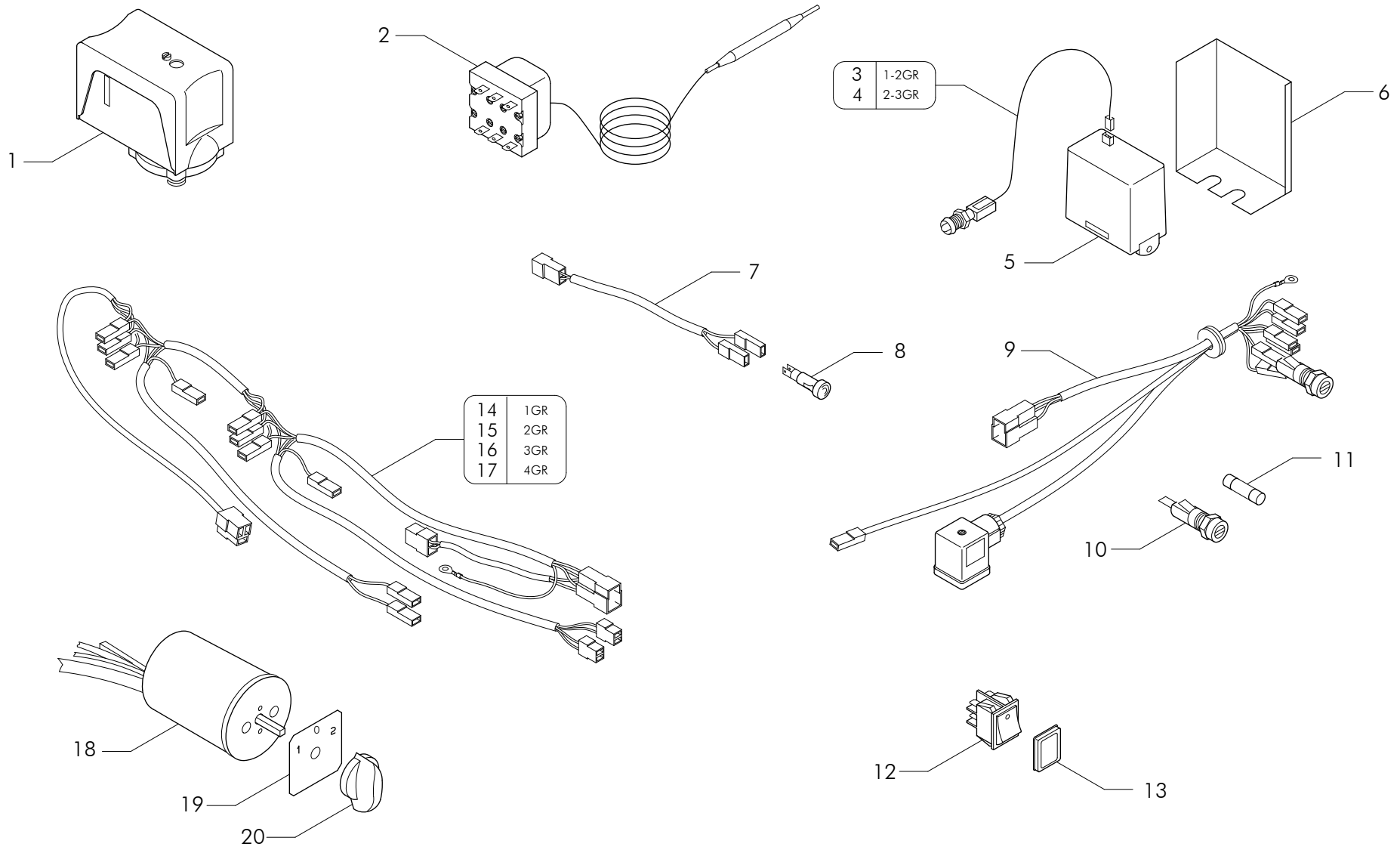
(*) GRUPPI RIALZATI / RAISED GROUPS
GROUPES REHAUSSÉS / ERHOEHTE GRUPPEN

SAE 4GR

Pos	Code	Denominazione - IT -	Denomination - EN -	Denomination - FR -	Denomination - DE -
1	52003934	TUBO D-10 L.210	TUBE D-10 L.210	TUYAU D-10 L.210	ROHR D-10 L.210
2	52000487	TUBO D-10 L.205	TUBE D-10 L.205	TUYAU D-10 L.205	ROHR D-10 L.205
3	52000245	TUBO D-10 L.165	TUBE D-10 L.165	TUYAU D-10 L.165	ROHR D-10 L.165
4	52000488	TUBO D-10 L.200	TUBE D-10 L.200	TUYAU D-10 L.200	ROHR D-10 L.200
5	52000214	TUBO D-10 L.195	TUBE D-10 L.195	TUYAU D-10 L.195	ROHR D-10 L.195
6	52000489	TUBO D-10 L.240	TUBE D-10 L.240	TUYAU D-10 L.240	ROHR D-10 L.240
7	52000272	TUBO D-10 L.135	TUBE D-10 L.135	TUYAU D-10 L.135	ROHR D. 10 L.135
8	52000490	TUBO D-10 L.180	TUBE D-10 L.180	TUYAU D-10 L.180	ROHR D-10 L.180
9	23294001	STROZZATURA RICIRCOLO GR CTS D 2.5	CTS UNIT D 2.5 RECIRC. NECK	ETRANGLEMENT RECYCLAGE GR.D.2.5	ENGSTELLE UMWALZUNG D. 2.5
9	23294003	STROZZATURA RICIRCOLO GR CTS D 4	CTS UNIT D 4 RECIRC. NECK	ETRANGLEMENT RECYCLAGE GR.D.4	ENGSTELLE UMWALZUNG D. 4
10	52003932	TUBO D-6 L.165	TUBE D-6 L.165	TUYAU D-6 L.165	ROHR D-6 L.165
11	52000429	TUBO D-4 L.880	TUBE D-4 L.880	TUYAU D-4 L.880	ROHR D-4 L.880
12	52003059	TUBO D-2 L.1500	TUBE D-2 L.1500	TUYAU D-2 L.1500	ROHR D-2 L.1500
13	44002	COPRILIVELLO VERNICIATO BIANCO	LEVEL INDICATOR COVER PAINTED WHITE	COUVRE-NIVEAU LAQUE BLANC	NIVEAUDECKEL
14	56001	ASSIEME TUBO LIVELLO	LEVEL TUBE UNIT	ENSEMBLE TUBE DE NIVEAU	ROHRSATZ FUR NIVEAU
15	53002	CORPO LIVELLO SUPERIORE	UPPER LEVEL CONNECTOR	CORPS DE NIVEAU SUPERIEUR	OBERNIVEAUKORPER
16	53001	CORPO LIVELLO INFERIORE	LOWER LEVEL CONNECTOR	CORPS DE NIVEAU INFERIEUR	UNTERNIVEAUKORPER
17	12200	GUARNIZIONE 16x10x8	GASKET 16X10X8	JOINT 16X10X8	DICHTUNG 16x10x8
18	25652	RONDELLA OTTONE D17.8	BRASS WASHER D.17.8	RONDELLE LAITON D.17.8	MESSING-SCHEIBE D.17.8
19	25383	DADO OTTONE M20x1.5	BRASS NUT 20X1.5	ECROU LAITON 20X1.5	MESSING-MUTTER 20x1.5
20	21300	TUBO VETRO LIVELLO 11x8x170	GLASS LEVEL TUBE 11X8X170	TUBE NIVEAU EN VERRE 11X8X170	NIVEAU GLASROHR 11x8x170
21	12153	GUARNIZIONE RAME 1/4 17x13.3x1.5	GASKET 1/4 17x13.3x1.5 COPPER	JOINT CUIVRE 1/4 17x13.3x1.5	KUPFERDICHTUNG 1/4 17x13.3x1.5
22	25780	TAPPO MASCHIO OTTONE 1/4	BRASS MALE CAP 1/4	BOUCHON MALE LAITON 1/4	MESSING-STOPFEN 1/4
23	25356	CONTRODADO OTTONE 3/8	BRASS LOCK NUT 3/8	CONTRE-ECROU LAITON 3/8	MESSING-GEGENMUTTER 3/8
24	25651	RONDELLA OTTONE 3/8	BRASS WASHER 3/8	RONDELLE LAITON 3/8	MESSINGSCHIEBE 3/8
25	52002700	TUBO D-10 L.185	TUBE D-10 L.185	TUYAU D-10 L.185	ROHR D-10 L.185
26	52000400	TUBO D-10 L.110	TUBE D-10 L.110	TUYAU D-10 L.110	ROHR D-10 L.110
27	52001589	TBS.D-6 L.275 AR223	TUBE D-6 L.275	TUYAU D-6 L.275	ROHR D-6 L.275
28	52003212	TUBO D-10 L.320	TUBE D-10 L.320	TUYAU D-10 L.320	ROHR D-10 L.320
29	52000430	TUBO D-6 L.590 GL31	TUBE D-6 L.590 GL31	TUYAU D-6 L.590 GL31	ROHR D-6 L.590 GL31
30	52000415	TUBO D-6 L.530	TUBE D-6 L.530	TUYAU D-6 L.530	ROHR D-6 L.530
31	52000402	TUBO D-6 L.395	TUBE D-6 L.395	TUYAU D-6 L.395	ROHR D-6 L.395
32	52000403	TUBO D-6 L.310	TUBE D-6 L.310	TUYAU D-6 L.310	ROHR D-6 L.310
33	52000363	TUBO D-8 L.380	TUBE D-8 L.380	TUYAU D-8 L.380	ROHR D-8 L.380
34	20354	VALVOLA CHIUSURA AEA	PRESSURE RELEASE TAP BULK UNIT	CLAPET FERMETURE AUT.ARRIVEE EAU	ABSPERRVENTIL x AUT.WASSERZUFUHR
35	52000361	TUBO D-8 L.135	TUBE D-8 L.135	TUYAU D-8 L.135	ROHR D-8 L.135
36	15502	VASCHETTA SCARICO ROTONDA D 80	ROUND DRAIN BASIN D.80mm	CUVE A VIDANGER RONDE D.80mm	RUNDE ABFLUSSCHALE D.80mm
37	52000367	TUBO D-8 L.150	TUBE D-8 L.150	TUYAU D-8 L.150	ROHR D-8 L.150
38	52000321	TUBO D-6 L.255	TUBE D-6 L.255	TUYAU D-6 L.255	ROHR D. 6 L.255
39	52001336	TUBO D-8 L.665	TUBE D-8 L.665	TUYAU D-8 L.665	ROHR D-8 L.665

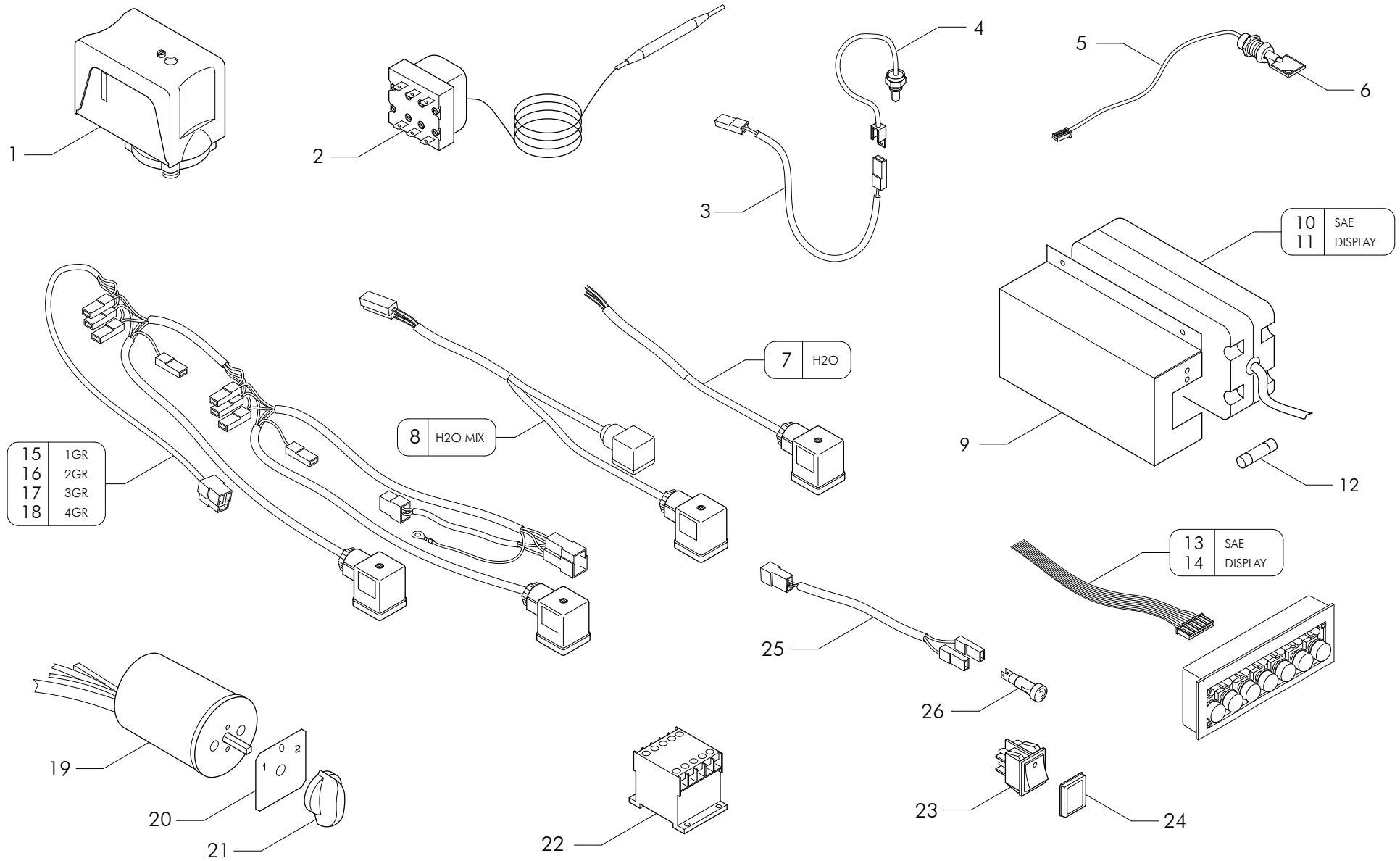
SAE 4GR

Pos	Code	Denominazione - IT -	Denomination - EN -	Denomination - FR -	Denomination - DE -
40	56134001	ASSIEME BLOCCHETTO POMPA	UNIT PUMP	ENSEMBLE POMPE	PUMPENSATZ
41	53001001	CORPO LIVELLO INFERIORE	LOWER LEVEL CONNECTOR	CORPS DE NIVEAU INFERIEUR	UNTERNIVEAUKORPER
42	12100	GUARNIZIONE CU/ALIM 1/4 18.7x13.2x2.5	CU GASKET 1/4 18.7X13.2X2.5	JOINT CU 1/4 18.7X13.2X2.5	CU DICHTUNG 1/4 18.7x13.2x2.5
43	43030001	RACCORDO INIETTORE 3/8Fx3/8Mx14F	3/8Fx3/8Mx14F INJECTOR FITTING	RACC. INJECTEUR 3/8Fx3/8Mx14F	ANSCHLUSS EINSPRITZER 3/8Fx3/8Mx14F
44	43052	RACCORDO "L" 3/8	CONNECTOR 'L' 3/8	RACCORD 'L' 3/8	ANSCHLUSS 'L' 3/8
45	56136004	ASSIEME BLOCCO DISTRIBUZ.2-3-4GR	DISTRIBUTION BLOCK 2-3-4GR	BLOC DISTRIBUTION 2-3-4GR	BLOCK VERTEILER 2-3-4GR
46	25705	RACCORDO FILTRO AEA	AUT.WATER REFILL FILTER CONNECTOR	RACCORD FILTRE REM.EAU.AUT.	FILTERFITTING AUT.WASSERFULLUNG
47	12312	GUARNIZIONE OR FILTRO AEA 10x2	O RING FOR WATER REFILL FILTER 10x2	JOINT OR FILTRE AUT.REM.EAU 10X2	OR DICHTUNG FUR WASSERFULLUNGFILTER
48	10254	FILTRO ACCIAIO 160-200 MESH	STEEL FILTER 160-200 MESH	FILTRE EN ACIER 160-200 MESH	STAHLFILTER 160-200 MESH
49	23206	RACCORDO -L- D10 3/8x1/8CON	ELBOW BRASS CONNECTOR D10 3/8X1/8	RACCORD COUDE LAITON D10 3/8X1/8	MESSING FITTING D10 3/8x1/8
50	12155	GUARNIZIONE RAME 8.5x5x1	COPPER GASKET 8.5X5X1	JOINT CU 8.5X5X1	CU DICHTUNG 8.5x5x1
51	10251001	FILTRO IN ACCIAIO D-8 Sp.0,3	STEEL FILTER D-8 - 0.3 THICK	FILTRE EN ACIER D-8 Ep.0,3	STAHLFILTER D-8 Sp.0,3
52	4618162005	ELETTRIVALVOLA AEA 220-240V 50-60Hz VDE/CW	SOL.VALVE WATER REFILL 220/240 50/60HZ	ELECTROVANNE REA 220/240V 50/60Hz VDE/	ELEKTROVENTIL AWZ 230/250 V 50/60 Hz
52	4618195	EL.AEA 110-120V/50-60Hz CW510L	SOL.VALVE WATER REFILL 110/120V 50/60HZ	ELECTROVANNE REA 110/120V 50/60Hz NSF	ELEKTROVENTIL AWZ 110/120V 50/60Hz NSF
53	23201	RACCORDO GOM.D6.2 1/4M 1/8M-AEA	ELBOW BRASS CONNECTOR D6.2 1/4M 1/8M	RACCORD COUDE LAITON D6.2 1/4M 1/8M	MESSING-ANSCHLUSS D6.2 1/4M 1/8M
54	52001590	TUBO D-6 L.28	TUBE D-6 L.28	TUYAU D-6 L.28	ROHR D-6 L.28
55	20361	VALVOLA S.C.N.R. REGOLABILE	ADJUSTABLE S.C.N.R. VALVE	SOUPAPE S.C.N.R. REGLABLE	EINSTELLBARES VENTIL S.N.C.R.
56	52000202	TUBO D-6 L.65	TUBE D-6 L.65	TUYAU D-6 L.65	ROHR D. 6 L.65
57	52000322	TUBO D-8 L.470	TUBE D-8 L.440	TUYAU D-8 L.445	ROHR D. 8 L.445
58	56122000	ASSIEME DOSATORE	DOSER KIT	KIT DOSEUR	DOSIERER
59	25686	RACCORDO 1/4x1/4	CONNECTOR 1/4 x 1/4	RACCORD 1/4 x 1/4	ANSCHLUSS 1/4x1/4
60	25708	RACCORDO 1/4x1/4	1/4x1/4 FITTING	RACCORD 1/4x1/4	ANSCHLUSS 1/4x1/4
61	12329	GUARNIZIONE OR HNBR 7.66xW1.78	GASKET OR HNBR 7.66xW1.78	JOINT OR HNBR 7.66x1.78	OR DICHTUNG HNBR 7.66xW1.78
62	18126	DOSATORE FLOWMETER	FLOWMETER DOSER	DOSEUR FLOWMETER	DOSIERER FLOWMETER
63	43067	RACCORDO "L" 3/8 GASx3/8 GAS L.30	3/8 GAS X 3/8 GAS L FITTING L.30	RACCORD L 3/8 GAZx3/8 GAZ L.30	ANSCHLUSS L 3/8 GAS x 3/8 GAS L. 30



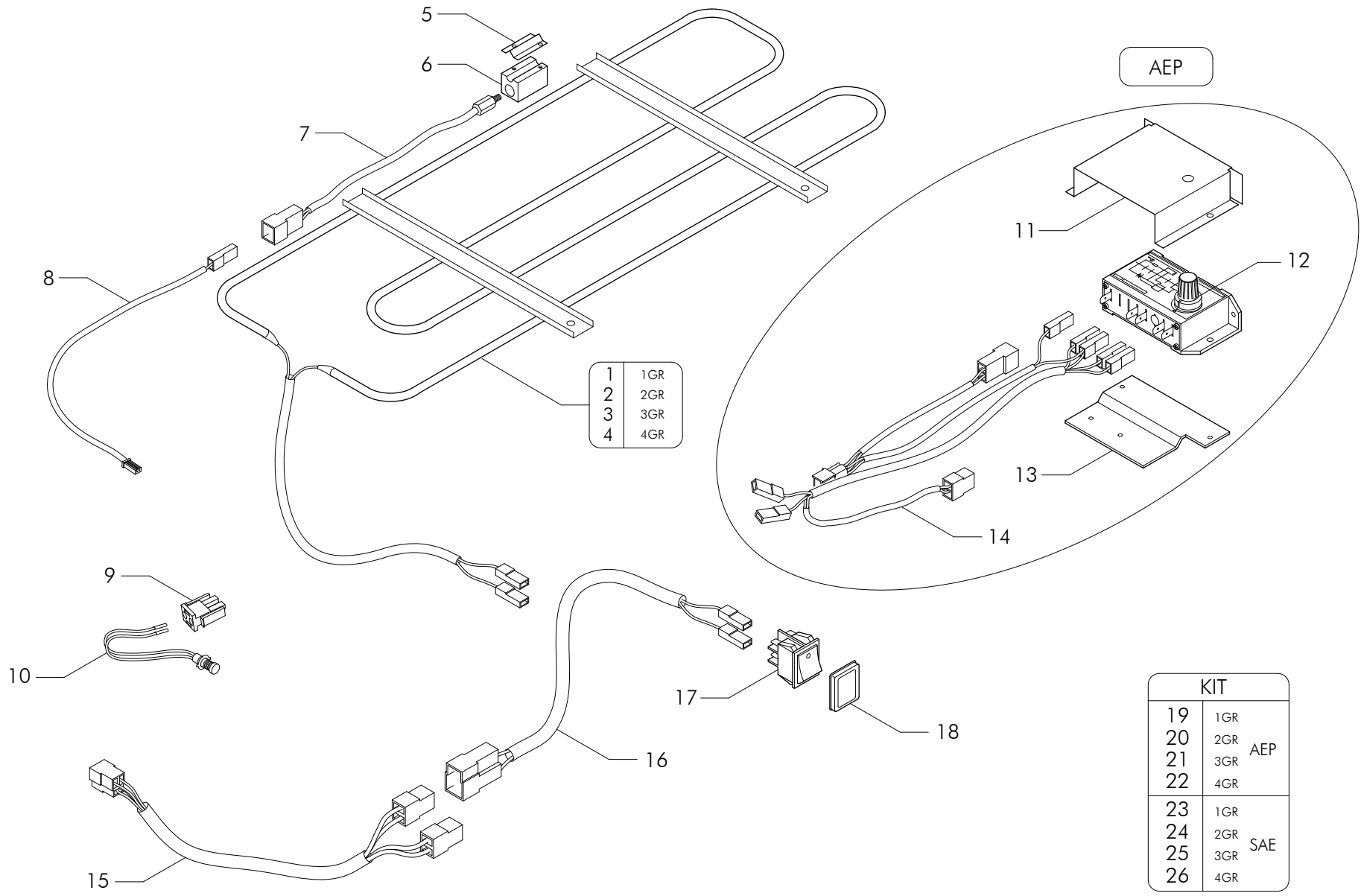
AEP

Pos	Code	Denominazione - IT -	Denomination - EN -	Denomination - FR -	Denomination - DE -
1	20150	PRESSOSTATO SECCO SIRAI 30A	DRY PRESSURE SWITCH SIRAI 30A	PRESSOSTAT SEC SIRAI 30A	TROCKENDRUCKWACHTER SIRAI 30A
2	20300015	TERMOSTATO 169?C	THERMOSTAT 169?C	THERMOSTAT 169?C	THERMOSTAT 169?C
3	22625	CAVO 1/2GR RL30/TIMEOUT CON LED	1/2 CABLE TIMEOUT UNIT WITH LED	CABLE 1/2 GR. RL30/TIMEOUT LED	KABEL 1/2GR. RL30/TIMEOUT MIT LED
4	22626	CAVO 3/4GR RL30/TIMEOUT CON LED	3/4 CABLE TIMEOUT UNIT WITH LED	CABLE 3/4 GR. RL30/TIMEOUT LED	KABEL 3/4GR. RL30/TIMEOUT MIT LED
5	18080001	REGOLATORE LIVELLO RL30 220/240V	LEVEL CONTROL RL30 220/240V	CONTROLE NIVEAU RL30 220/240V	WASSERNIVEAUREGLER RL30 220/240V
5	18081001	REGOLATORE LIVELLO RL30 120V	LEVEL CONTROL RL30 120V	CONTROLE NIVEAU RL30 120V	WASSERNIVEAUREGLER RL30 120V
6	77691005	SUPPORTO AEA RL30 INOX	AWR BEARING RL30 INOX	SUPPORT REA RL30 INOX	AWF HALTER RL30 INOX
7	227181	CABLAGGIO PROLUNGA LAMPADINA	WIRING FOR LAMP	CABLE PROLONGE LAMPE	VERDRAHTUNG LAMPE
7	22718101	CABLAGGIO PROLUNGA LAMPADINA UL	WIRING FOR LAMP UL	CABLE PROLONGE LAMPE UL	VERDRAHTUNG LAMPE UL
8	83210010R	KIT LAMPADA SPIA VERDE	GREEN INDICATOR LIGHT KIT	KIT AMPOULE TEMOIN VERT	KIT KONTROLLEUCHE GRUN
9	22858	CABLAGGIO AEA 1-4GR	CABLE A.W.R. 1-4GR	CABLAGE R.E.A. 1-4GR	VERDRAHTUNG A.W.F.1-4GR
10	19122	PORTAFUSIBILE 6.3A 250V	FUSE HOLDER 6.3A 250V	PORTE-FUSIBLE 6.3A 250V	SICHERUNGSHALTER 6.3A 250V
11	19101	FUSIBILE 5x20 2A	FUSE OMEGA 5x20 2A	FUSIBLE OMEGA 5x20 2A	SCHMELZSICH.OMEGA 5x20 2A
12	18263	INTERRUTTORE BIP. NERO LED LUMIN.ROSSO	BIP. LUMIN. BLACK SWITCH	INTER.BIP.LUMIN. NOIR	ZWEIP.SCHALTER M. SCHWARZ LEUCHE
13	19049	COPERTURA INTERRUTTORE	SWITCH COVER	PROTECTION INTERRUPTEUR	SCHALTER ABD.
14	227701	CABLAGGIO AEP/1 + JUNIOR NEW	AEP/1 + JUNIOR NEW WIRING	CABLAGE AEP/1 + JUNIOR NEW	VERKABELUNG AEP/1 + JUNIOR NEW
15	227702	CABLAGGIO AEP/2 NEW	AEP/2 NEW CABLING	CABLAGE AEP/2 NEW	VERKABELUNG AEP/2 NEW
16	227703	CABLAGGIO AEP/3 NEW	AEP/3 NEW CABLING	CABLAGE AEP/3 NEW	VERKABELUNG AEP/3 NEW
17	227704	CABLAGGIO AEP/4 NEW	AEP/4 NEW CABLING	CABLAGE AEP/4 NEW	VERDRAHTUNG AEP/4 NEW
18	8318104R	KIT COMMUTATORE BREMAS A20	KIT COMMUTATOR BREMAS A20.12	KIT COMMUTATEUR BREMAS A20.12	KIT UMSCHLATER BREMAS A20.12
18	8318105R	KIT COMMUTATORE BREMAS A32	KIT COMMUTATOR BREMAS A32.12	KIT COMMUTATEUR BREMAS A32.12	KIT UMSCHALTER BREMAS A32.12
18	8318200R	KIT INTERRUTTORE BREMAS A20.02	KIT BREMAS SWITCH A20.02	KIT INTERRUPTEUR BREMAS A20.02	KIT BREMAS SCHALTER A20.02
18	8318201R	KIT INTERRUTTORE BREMAS A20.03 +VITI +MANO	KIT BREMAS SWITCH A20.02	KIT INTERRUPTEUR BREMAS A20.03	KIY BREMAS SCHALTER A20.03
18	8318205R	KIT INTERRUTTORE BREMAS A20.04	KIT BREMAS SWITCH A20.04 CA0170004	KIT INTERRUPTEUR BREMAS A20.04 CA0170004	KIT BREMAS SCHALTER A20.04
18	8318206R	KIT INTERRUTTORE BREMAS A32.02	KIT BREMAS SWITCH A32.02	KIT INTERRUPTEUR BREMAS A32.02	KIT BREMAS SCHALTER A32.02
18	8318207R	KIT INTERRUTTORE BREMAS A32.03	KIT BREMAS SWITCH A32.03	KIT INTERRUPTEUR BREMAS A32.03	KIT BREMAS SCHALTER A32.03
18	8318208R	KIT INTERRUTTORE BREMAS A32.04	KIT BREMAS SWITCH A32.04	KIT INTERRUPTEUR BREMAS A32.04	KIT BREMAS SCHALTER A32.04
19	29067	ETICHETTA ADESIVA '1-0-2' NERO PLASTICO 58	ADHESIVE LABEL '1-0-2' BLACK	ETIQ. ADHES. 1-0-2' NOIR	KLEBEETIKETTE '1-0-2'SCHWARZ
19	29068	ETICHETTA ADESIVA '0-1' NERO PLASTICO 58x58	PLASTIC ADHESIVE PLATE 0-1 58X58	PLAQUETTE ADHESIVE 0-1 58X58	KLEBESCHILD 0-1 58x58
20	15271	MANOPOLA INTERR.GENERALE BREMAS	MAIN SWITCH HAND GRIP	MANETTE INTERR. GENERAL	HAUPTSCHALTERGRIFF



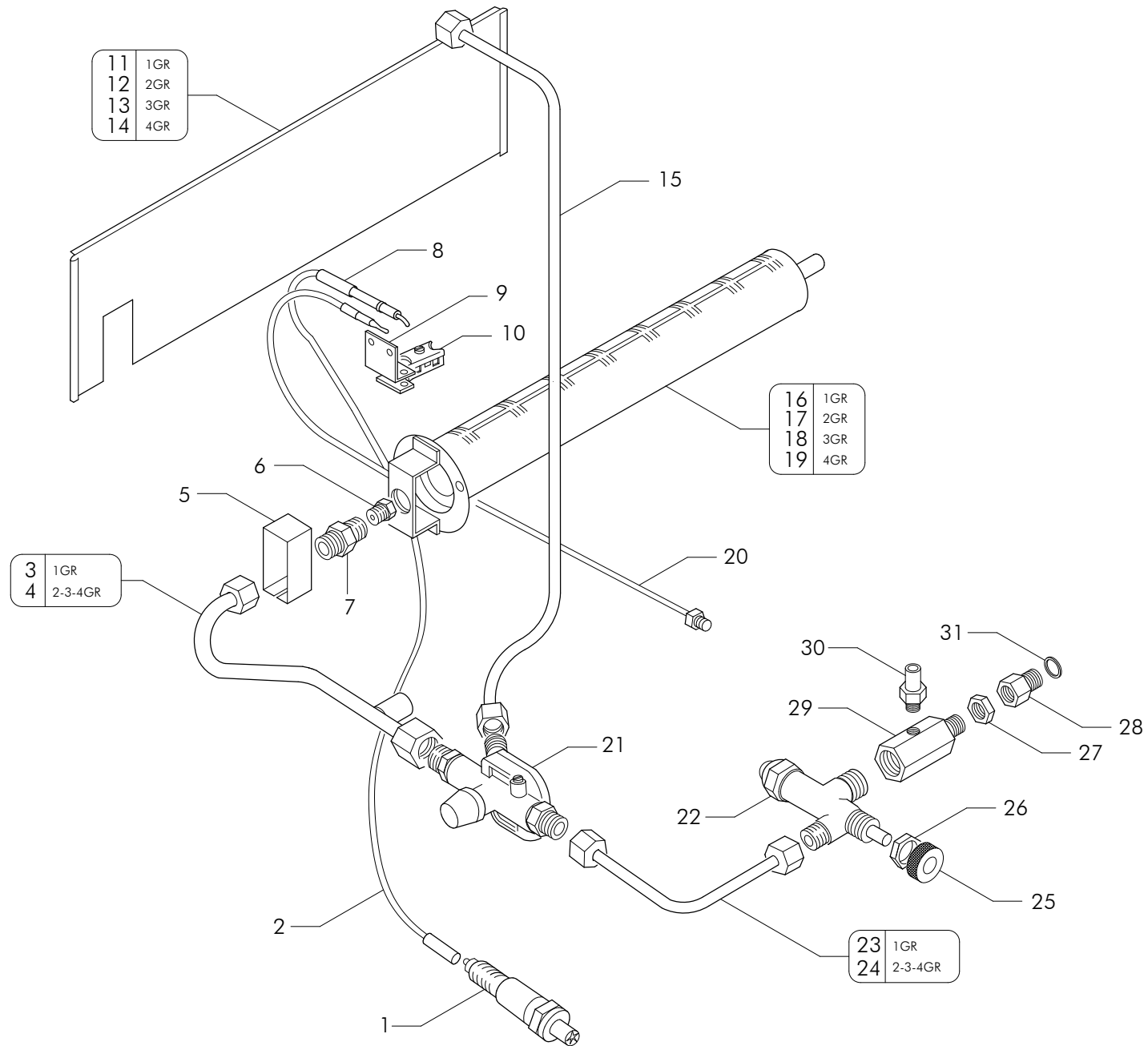
SAE - DISPLAY

Pos	Code	Denominazione - IT -	Denomination - EN -	Denomination - FR -	Denomination - DE -
1	20150	PRESSOSTATO SECCO SIRAI 30A	DRY PRESSURE SWITCH SIRAI 30A	PRESSOSTAT SEC SIRAI 30A	TROCKENDRUCKWACHTER SIRAI 30A
2	20300015	TERMOSTATO 169?C	THERMOSTAT 169?C	THERMOSTAT 169?C	THERMOSTAT 169?C
3	22715900	CABLAGGIO SONDA CALDAIA	CABLE PROBE-BOILER	CABLE FICHE-CHAUDIERE	KABEL ME?SPITZE-KESSEL
4	20306	TERMOSTATO SONDA NTC ES 13	THERMOSTAT NTC ES 13	THERMOSTAT NTC ES 13	THERMOSTAT NTC ES 13
5	22723023	CAVO L.70 INTERRUOTORE PROGRAMMAZIONE	CABLE L.70 KEY PROGRAMM SWITCH	CABLE L.70 POUR INT.PROGRAMMATION	KABEL L.70 FUR PROGRAMM SCHALTER
6	22723022	INTERRUPTORE PROGRAMMAZIONE A CHIAVE	PROGRAMM SWITCH	INTER. PROGRAMMATION	PROGRAMM SCHALTER
7	22719	CABLAGGIO THE	CABLE x AUTOM.TEA	CABLAGE x TE AUTOM.	VERDRAHT.xAUT.TEE
8	22719019	CABLAGGIO H2O/MIX SAE 2>3GR	CABLING H2O/MIX SAE 1-3 UNITS	CABLE EAU/MIX SAE 1-3GR DV/AR	VERLABELUNG H2O/MIX SAE 1-3 GR.
9	78151	SUPPORTO CENTRALINA	CONTROL UNIT SUPPORT	SUPPORT CENTRALE	STEUERUNG-HALTER
10	18090047	CENTRALINA 1-3GR 120V PLUS1	CONTROL BOX 1-3GR 120V PLUS1	CENTRALE 1/3 120V PLUS1	MIKROP. STEUERUNG 1-3 GRUPPING 120V
10	18090048	CENTRALINA 1-3GR 230V PLUS1	CONTROL BOX 1-3GR 230V PLUS1	CENTRALE 1/3 230V PLUS1	MIKROP. STEUERUNG 1-3 GRUPPING 230V
11	18090079	CENTRALINA 1-4GR 120V PLUS2	GEARCASE 1-4GR 120V PLUS2	CENTRALE 1-4GR 120V PLUS2	STEUERUNG 1-4GR 120V PLUS2
11	18090080	CENTRALINA 1-4GR 230V PLUS2	GEARCASE 1-4GR 230V PLUS2	CENTRALE 1-4GR 230V PLUS2	STEUERUNG 1-4GR 230V PLUS2
12	19104	FUSIBILE OMEGA 5x20 T-10A	FUSE OMEGA 5x20 T-10A	FUSIBLE OMEGA 5x20 T-10A	SCHMELZSICHERUNG OMEGA 5x20 T-10A
12	19106	FUSIBILE OMEGA 5x20 T-500mA	FUSE OMEGA 5x20 T-500mA	FUSIBLE OMEGA 5x20 T-500mA	SCHMELZSICHERUNG OMEGA 5x20 T-500mA
13	22627	CAVO PULSANTIERA 10 POLI 80CM	80 CM CONNECTOR FOR P.BUTTON PANEL	CABLE CLAVIER 10 POLES 80 CM	KABEL BEDIENBL. 10 POLIG 80CM
13	22628	CAVO PULSANTIERA 10 POLI 140CM	140 CM CABLE FOR P.BUTTON PANEL	CABLE CLAVIER 10 POLES 140 CM	KABEL BEDIENBL. 10 POLIG 140CM
14	22554007	CAVO MULTIVIE DISPLAY L.140	RIBBON CABLE DISPLAY L.140	CABLAGE DISPLAY L.140	KABEL DISPLAY L.140
15	22803011	CABLAGGIO SAE/1	SAE/1 CABLING	CABLAGE SAE/1	VERKABELUNG SAE/1
16	22803012	CABLAGGIO SAE/2	SAE/2 CABLING	CABLAGE SAE/2	VERKABELUNG SAE/2
17	22803013	CABLAGGIO SAE/3	SAE/3 CABLING	CABLAGE SAE/3	VERKABELUNG SAE/3
18	22803014	CABLAGGIO SAE/4	SAE/4 CABLING	CABLAGE SAE/4	VERKABELUNG SAE/4
19	8318104R	KIT COMMUTATORE BREMAS A20	KIT COMMUTATOR BREMAS A20.12	KIT COMMUTATEUR BREMAS A20.12	KIT UMSCHLATER BREMAS A20.12
19	8318105R	KIT COMMUTATORE BREMAS A32	KIT COMMUTATOR BREMAS A32.12	KIT COMMUTATEUR BREMAS A32.12	KIT UMSCHALTER BREMAS A32.12
20	29067	ETICHETTA ADESIVA '1-0-2' NERO PLASTICO 58	ADHESIVE LABEL '1-0-2' BLACK	ETIQ. ADHES. 1-0-2' NOIR	KLEBEETIKETTE '1-0-2'SCHWARZ
21	15271	MANOPOLA INTERR.GENERALE BREMAS	MAIN SWITCH HAND GRIP	MANETTE INTERR. GENERAL	HAUPTSCHALTERGRIFF
22	20299002	TELERUTTORE 230/240V	RELAY SWITCH 230/240V	TELERUPTEUR 230/240V	CONTROL SWITCH 230/240V
23	18263	INTERRUPTORE BIP. NERO LED LUMIN.ROSSO	BIP. LUMIN. BLACK SWITCH	INTER.BIP.LUMIN. NOIR	ZWEIP.SCHALTER M. SCHWARZ LEUCHTE
24	19049	COPERTURA INTERRUOTORE	SWITCH COVER	PROTECTION INTERRUPTEUR	SCHALTER ABD.
25	227181	CABLAGGIO PROLUNGA LAMPADINA	WIRING FOR LAMP	CABLE PROLONGE LAMPE	VERDRAHTUNG LAMPE
25	22718101	CABLAGGIO PROLUNGA LAMPADINA UL	WIRING FOR LAMP UL	CABLE PROLONGE LAMPE UL	VERDRAHTUNG LAMPE UL
26	83210010R	KIT LAMPADA SPIA VERDE	GREEN INDICATOR LIGHT KIT	KIT AMPOULE TEMOIN VERT	KIT KONTROLLEUCHTE GRUN

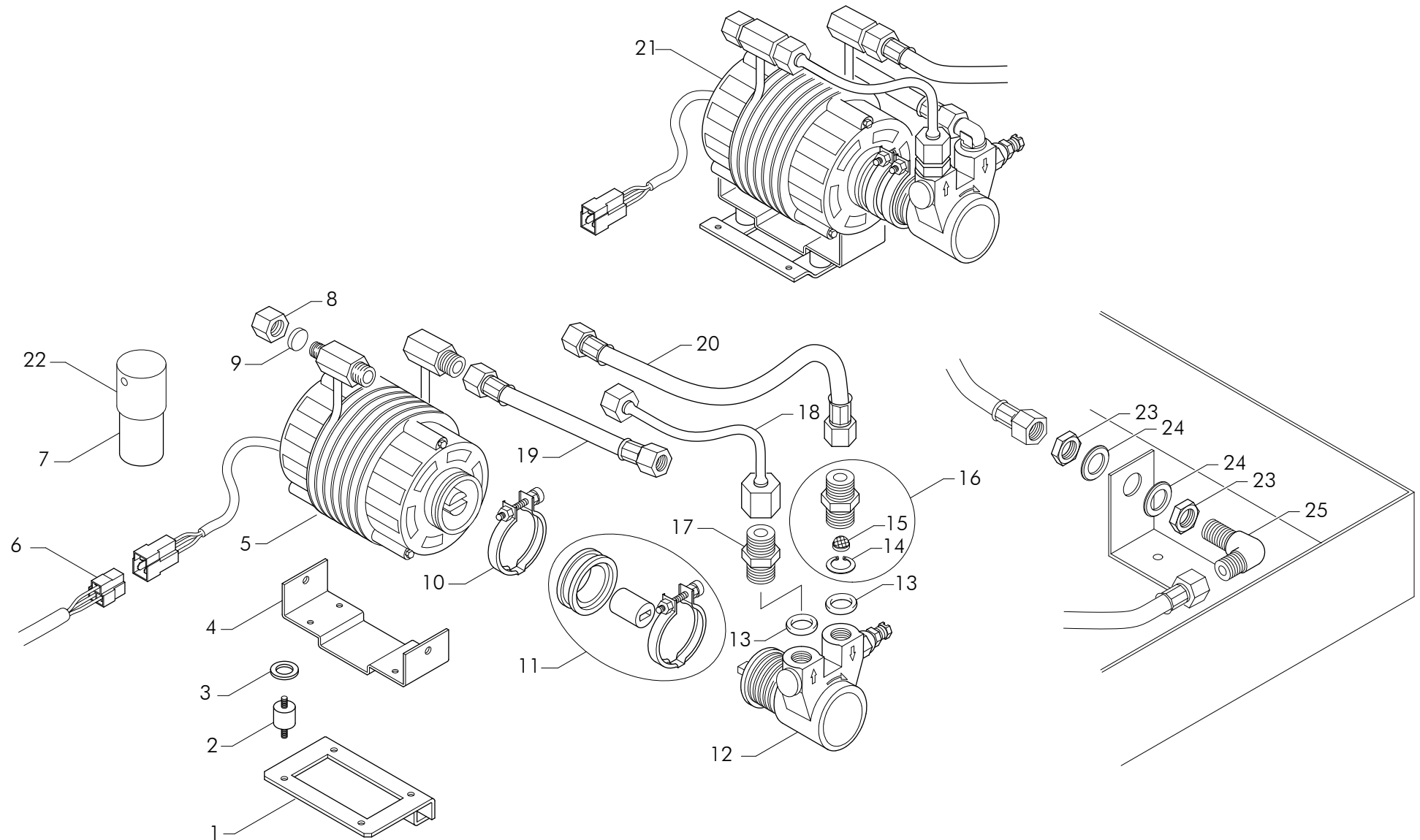


SCALDATAZZE - CUP HEATING - CHAUFFE TASSES - TASSENWARMER

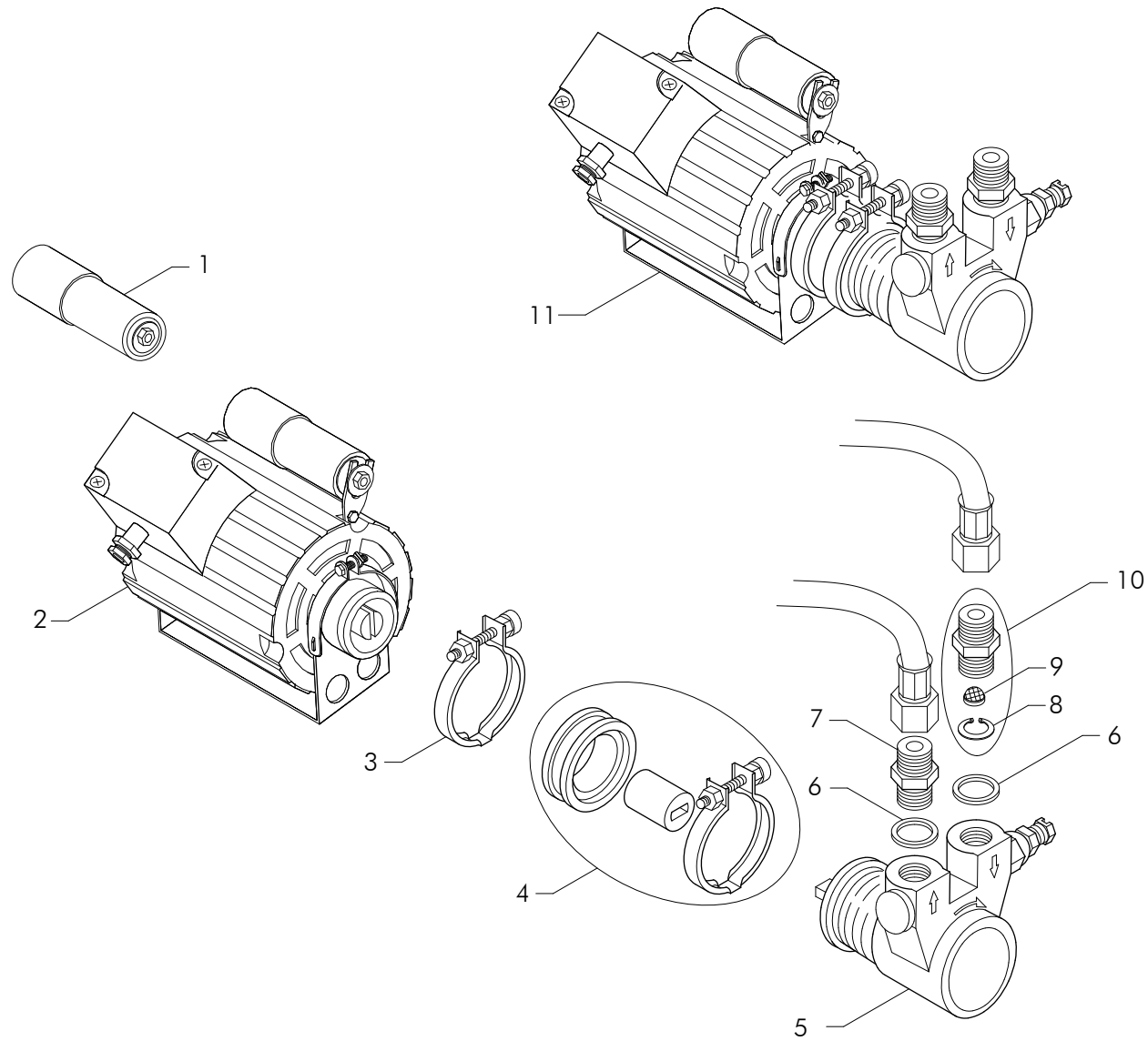
Pos	Code	Denominazione - IT -	Denomination - EN -	Denomination - FR -	Denomination - DE -
1	17019003	RESISTENZA 1GR 230V 100W	HEATING ELEMENT 1GR 230V 100W	RESISTANCE 1GR 230V 100W	WIDERSTAND 1GR 230V 100W
1	17019004	RESISTENZA 1GR 120V 100W	HEATING ELEMENT 1GR 120V 100W	RESISTANCE 1GR 120V 100W	WIDERSTAND 1GR 120V 100W
2	17020	RESISTENZA 2GR 120V 200W	HEATING ELEMENT 2GR 120V 200W	RESISTANCE 2GR 120V 200W	WIDERSTAND 2GR 120V 200W
2	17022	RESISTENZA 2GR 230V 200W	HEATING ELEMENT 2GR 230V 200W	RESISTANCE 2GR 230V 200W	WIDERSTAND 2GR 230V 200W
3	17023	RESISTENZA 3GR 230V 250W	HEATING ELEMENT 3GR 230V 250W	RESISTANCE 3GR 230V 250W	WIDERSTAND 3GR 230V 250W
4	17024	RESISTENZA 4GR 230V 300W	HEATING ELEMENT 4GR 230V 300W	RESISTANCE 4GR 230V 300W	HEIZKORPER 4GR 230V 300W
5	77583100	STAFFA BLOCCHETTO SONDA	BLOCK BRACKET	ETRIER BLOC	ANSCHLAG BUGEL
6	25338000	BLOCCHETTO SONDA NTC	PROBE BLOCK NTC	BLOC SOND E NTC	SONDE ANSCHLAG NTC
7	20306000	SONDA NTC K100 ES 13 SCTE SB	PROBE NTC K100 ES 13	SONDE NTC K100 ES 13	SONDE NTC K100 ES 13
8	22715901	CABLAGGIO SONDA	CABLE PROBE	CABLAGE SOND E	VERKABELUNG SOND E
8	22715904	CABLAGGIO SONDA SCTE UL	CABLE PROBE UL	CABLAGE SOND E UL	VERKABELUNG SOND E UL
9	10760	BLOCCHETTO MASCHIO	MALE BLOCK	MODULE MALE	STECKER
10	21023	LAMPADA SPIA ROSSA 230V	RED PILOT LIGHT 230V	LAMPE TEMOIN ROUGE 230V	ROTE KONTROLLEUCHTE 230V
10	21025	LAMPADA SPIA ROSSA 120V	RED PILOT LIGHT 120V	LAMPE TEMOIN ROUGE 120V	ROTE KONTROLLEUCHTE 120V
11	77692224	PROTEZIONE REGOLATORE TEMPERATURA	THERMOSTAT GUARD	PROTECTEUR THERMOSTAT	ABDECKUNG THERMOSTAT
12	18090039	REGOLATORE TEMP.ELETRR.SCTE 120V	THERMOSTAT 120V	THERMOSTAT 120V	THERMOSTAT 120V
12	18090040	REGOLATORE TEMP.ELETRR.SCTE 230V	THERMOSTAT 230V	THERMOSTAT 230V	THERMOSTAT 230V
13	78206405	SUPPORTO REGOLATORE	THERMOSTAT SUPPORT	SUPPORT THERMOSTAT	THERMOSTAT SUPPORT
14	22717920	CABLAGGIO SCALDATAZZE	ELECTR.CUP HEAT.WIRING	CABLE CHAUFFE-TASSES ELEC.	ELEKTR.VERKABELUNG TASSENWARMER
14	22717922	CABLAGGIO SCALDATAZZE UL	ELECTR.CUP HEAT.WIRING UL	CABLE CHAUFFE-TASSES ELEC. UL	ELEKTR.VERKABELUNG TASSENWARMER UL
15	22717801	CABLAGGIO SDOPPIATORE USCITA UL	CABLE CONNECTION UL	CABLAGE JONCTION UL	VERDRAHTUNG VERBINDUNG UL
15	227181	CABLAGGIO PROLUNGA LAMPADINA	WIRING FOR LAMP	CABLE PROLONGE LAMPE	VERDRAHTUNG LAMPE
16	22723002	CABLAGGIO SCALDATAZZE ELETTRICO 2-4GR	ELECTR.CUP HEAT.WIRING 2-4GR	CABLE CHAUFFE-TASSES ELEC. 2-4GR	ELEKTR.VERKABELUNG TASSENWARMER 2-4GR
16	22723005	CABLAGGIO SCALDATAZZE ELETTRICO 2-4GR UL	ELECTR.CUP HEAT.WIRING 2-4 UNIT UL	CABLE CHAUFFE-TASSES ELEC. 2-4GR UL	ELEKTR.VERKABELUNG TASSENWARMER 2-4 UL
17	18263	INTERRUTTORE BIP. NERO LED LUMIN.ROSSO	BIP. LUMIN. BLACK SWITCH	INTER.BIP.LUMIN. NOIR	ZWEIP.SCHALTER M. SCHWARZ LEUCHTE
18	19049	COPERTURA INTERRUTTORE	SWITCH COVER	PROTECTION INTERRUPTEUR	SCHALTER ABD.
19	80123025R	KIT SCALDATAZZE AEP/1 CTS 120V	KIT ELECTR. CUP HEATING AEP/1 CTS 120V	CHAUFFE-TASSES ELEC. AEP/1 CTS 120V	ELEKTR. TASSENWARMER AEP/1 CTS 120V
20	80123027R	KIT SCALDATAZZE AEP/2 CTS 120V	ELECTR. CUP HEATING AEP/2 CTS 120V	CHAUFFE-TASSES ELEC. AEP/2 CTS 120V	ELEKTR. TASSENWARMER AEP/2 CTS 120V
21	80123029R	KIT SCALDATAZZE AEP/3 CTS 230V	ELECTR. CUP HEATING AEP/3 CTS 230V	CHAUFFE-TASSES ELEC. AEP/3 CTS 230V	ELEKTR. TASSENWARMER AEP/3 CTS 230V
22	80123030R	KIT SCALDATAZZE AEP/4 CTS 230V	ELECTR. CUP HEATING AEP/4 CTS 230V	CHAUFFE-TASSES ELEC. AEP/4 CTS 230V	ELEKTR. TASSENWARMER AEP/4 CTS 230V
23	80123031R	KIT SCALDATAZZE SAE/1 CTS 120V	ELECTR. CUP HEATING SAE/1 CTS 120V	CHAUFFE-TASSES ELEC. SAE/1 CTS 120V	ELEKTR. TASSENWARMER SAE/1 CTS 120V
24	80123033R	KIT SCALDATAZZE SAE/2 CTS 120V	ELECTR. CUP HEATING SAE/2 CTS 120V	CHAUFFE-TASSES ELEC. SAE/2 CTS 120V	ELEKTR. TASSENWARMER SAE/2 CTS 120V
25	80123035R	KIT SCALDATAZZE SAE/3 CTS 230V	ELECTR. CUP HEATING SAE/3 CTS 230V	CHAUFFE-TASSES ELEC. SAE/3 CTS 230V	ELEKTR. TASSENWARMER SAE/3 CTS 230V
26	80123036R	KIT SCALDATAZZE SAE/4 CTS 230V	ELECTR. CUP HEATING SAE/4 CTS 230V	CHAUFFE-TASSES ELEC. SAE/4 CTS 230V	ELEKTR. TASSENWARMER SAE/4 CTS 230V



Pos	Code	Denominazione - IT -	Denomination - EN -	Denomination - FR -	Denomination - DE -
1	15010	BLOCCO+COL.AVN M22x1.5 SIT 0073952	GAS STARTER M22X1.5 SIT 0073952	BLOC ALLUMAGE GAZ	ZUNDUNGSPERRE GAS AVN M22x1.5
2	22002	CAVO AL GAS/SIT 0028511 PIEZ L800	GAS/SIT FEEDING CABLE 0028520 L800	CABLE ALIMENTATION GAZ SIT 0028520	GAS/SIT SPEISEKABEL 0028520 L800
3	52001317	TUBO D-10 L.235	TUBE D-10 L.235	TUYAU D-10 L.235	ROHR D-10 L.235
4	52000223	TUBO D-10 L.215	TUBE D-10 L.215	TUYAU D-10 L.215	ROHR D-10 L.215
5	10660	REGOLATORE ARIA	AIR REGULATOR	REGULATEUR AIR	LUFTREGLER
6	10900	UGELLO EM 1.00N METANO	METHANE NOZZLE EM 1.00N	GICLEUR EM 1.00N METHANE	DUSE EM 1.00N METHAN
6	10901	UGELLO EM 0.60N GPL	GPL NOZZLE EM 0.60N	GICLEUR EM 0.60N G P L	DUSE EM 0.60N G P L
6	10903	UGELLO EM 1.10N METANO	METHANE NOZZLE EM 1.10N	GICLEUR EM 1.10N METHANE	DUSE EM 1.10N METHAN
6	10904	UGELLO EM 0.65N GPL	GPL NOZZLE EM 0.65N	GICLEUR EM 0.65N GPL	DUSE EM 0.65N GPL
6	10906	UGELLO EM 1.35N METANO	METHANE NOZZLE EM 1.35N	GICLEUR EM 1.35N METHANE	DUSE EM 1.35N METHAN
6	10907	UGELLO EM 0.80N GPL	GPL NOZZLE EM 0.80N	GICLEUR EM 0.80N G P L	DUSE EM 0.80N G P L
6	10909	UGELLO EM 1.45N METANO	METHANE NOZZLE EM 1.45N	GICLEUR EM 1.45N METHANE	DUSE EM 1.45N METHAN
6	10910	UGELLO EM 0.85N GPL	GPL NOZZLE EM 0.85N	GICLEUR EM 0.85N G P L	DUSE EM 0.85N G P L
7	23220	RACCORDO PORTAUGELLO	NOZZLE-BEARER CONNECTOR	RACCORD PORTE-GICLEUR	FITTING FUR DUSETRAGER
8	20030	CANDELA M 4 PILOTA 0100 0915036	PILOT SPARK PLUG M4 0100 GAS	BOUGIE M 4 PILOTE	KERZE M 4 0100 SIC/GAS
9	780663	SUPPORTO TERMOCOPPIA GAS 20/10	SUPPORT FOR THERMOCOUPLE GAS	SUPPORT POUR THERMOCOUPLE GAZ	GESTELL THERMOELEMENT
10	10750	SUPPORTO TERMOCOPPIA SIT 0978009	THERMOCOUPLE SIT STAND 0978009	SUPPORT THERMOCOUPLE SIT 0978009	THERMOELEMENT HALTER SIT 0978009
10	10751	SUPPORTO TERMOCOPPIA SIT 0978021	THERMOCOUPLE SIT STAND 0978021	SUPPORT THERMOCOUPLE SIT 0978021	THERMOELEMENT HALTER SIT 0978021
10	23410	VITE TE UNI 3/16x18	SCREW TE 3/16X18	VIS TE 3/16X18	SCHRAUBE TE UNI 3/16x18
11	77418001	PANN.COPRICALDAIA 1GR Zn DV	BOILER COVER PANEL 1GR Zn	PANNEAU COUVRE-CHAUDIERE 1GR Zn	KESSELDECKUNG TAFEL 1GR Zn
12	77418002	PANN.COPRICALDAIA 2GR Zn DV	BOILER COVER PANEL 2GR Zn	PANNEAU COUVRE-CHAUDIERE 2GR Zn	KESSELDECKUNG TAFEL 2GR Zn
13	77418003	PANN.COPRICALDAIA 3GR Zn DV	BOILER COVER PANEL 3GR Zn	PANNEAU COUVRE-CHAUDIERE 3GR Zn	KESSELDECKUNG TAFEL 3GR Zn
14	77418004	PANN.COPRICALDAIA 4GR Zn DV	BOILER COVER PANEL 4GR Zn	PANNEAU COUVRE-CHAUDIERE 4GR Zn	KESSELDECKUNG TAFEL 4GR Zn
15	52000346	TUBO D-6 L.390	TUBE D-6 L.390	TUYAU D-6 L.390	ROHR D-6 L.390
16	30010	BRUCIATORE 1GR 305/12 POLI	1 GROUP BURNER 305/12 POLES	BRULEUR 1GR 305/12 POLES	BRENNER 1GR 305/12 POLEN
17	30011	BRUCIATORE 2GR 306/12 POLI	2 GROUPS BURNER 306/12 POLES	BRULEUR 2GR 306/12 POLES	BRENNER 2GR 06/12 POLEN
18	30012	BRUCIATORE 3GR 307/12 POLI	3-4 GROUPS BURNER 307/12 POLES	BRULEUR 3-4GR 307/12 POLES	BRENNER 3-4GR 307/12 POLEN
19	30013	BRUCIATORE 4GR 102.0211.00 POLI	4GR BURNER 102.0211.00 POLES	BRULEUR 4GR 102.0211.00 POLES	BRENNER 4GR 102.0211.00 POLEN
20	18552	TERMOCOPPIA SIT 0290004 L600	THERMOCOUPLE SIT L=600	TIGE THERMOCOUPLE GAZ L=600	THERMOELEMENT SIT 02900040L600
21	51003	ASSIEME REGOLATORE GAS NORMALE POLI	NORMAL GAS REGULATOR SET *POLES*	ENSEMBLE REGULATEUR GAZ NORMAL	GASREGELUNGSSATZ
21	51005	ASSIEME REGOLATORE GAS x SICUREZZA DV/SP	GAS REGULATOR	ENSEMBLE REGULATEUR GAZ	GASREGELUNGSSATZ
22	20221	RUBINETTO SICUREZZA GAS SIT	GAS SECURITY VALVE SIT	ROBINET SURETE GAZ SIT	GASSICHERHEITSHAHN SIT
23	52001454	TUBO D-8 L.95	TUBE D-8 L.95	TUYAU D-8 L.95	ROHR D-8 L.95
24	52000222	TUBO D-8 L.130	TUBE D-8 L.135	TUYAU D-8 L.135	ROHR D-8 L.135
25	10350	GHIERA GAS SIT	GAS RING NUT SIT	EMBOUT POUR GAZ SIT	GASZWINGE SIT
26	23019	DADO M12x1 OTTONE	S.I.T. BRASS NUT M12X1	ECROU M12X1 LAITON POUR S.I.T.	MESSING SCHRAUBENMUTTER M12x1
27	25396	DADO 1/4 SP.4	NUT 1/4 - 4 THICK	ECROU 1/4 SP.4	MUTTER 1/4
28	25715010	RACCORDO DRITTO 1/4F 1/4M CONICO	CONNECTOR 1/4 F 1/4 M	RACCORD DROIT 1/4 F 1/4 M	ANSCHLUSS 1/4F 1/4M
29	25621100	PROLUNGA RUBINETTO GAS	EXTENSION GAS	RALLONGE GAZ	VERLANGERUNGSGAS
30	25621005	PRESA DI PRESSIONE 1/8 GAS	CONNECTOR 1/8	RACCORD 1/8	ANSCHLUSS 1/8
31	12662004	GUARNIZIONE ALL.11x7x1.5	GASKET 11x7x1.5	JOINT 11x7x1.5	DICHTUNG 11x7x1.5



Pos	Code	Denominazione - IT -	Denomination - EN -	Denomination - FR -	Denomination - DE -
1	78167	SUPPORTO MOTOPOMPA	MOTORPUMP BEARING	SUPPORT MOTEURPOMPE	MOTORPUMPE-HALTER
2	15105	GOMMA AMMORTIZZATORE	RUBBER FOR MOTOR	CAOUTCHOUC POUR MOTEUR	GUMMI x MOTOR
3	23265	RONDELLA 4x12	WASHER 4x12	RONDELLE 4x12	SCHEIBE 4x12
4	78174	SUPPORTO MOTORE	MOTOR SUPPORT	SUPPORT MOTEUR	EINGEBAUTER MOTORHALTER
5	4656407	MOTORE RPM 120V 60HZ R.H2O	MOTOR RPM CW510L	MOTOR RPM CW510L	MOTOR RPM CW510L
5	56406	MOTORE RPM Ni 230V 50/60 R.H2O ASSIEME	MOTOR RPM 230V 50/60Hz H2O	MOTEUR RPM 230V 50/60HZ H2O	MOTOR RPM 230V 50/60HZ H2O
6	227173	CABLAGGIO ALIMENTAZIONE	CABLE	CABLAGE ALIMENTATION	VERSORGUNGKABELUNG EINGEBAUTER MOTORPUMP
7	19062001	CONDENSATORE MOTORE 230V 7uF	MOTOR CAPACITOR 230V 7uF	CONDENSATEUR MOTEUR 230V 7uF	KONDENSATOR MOTOR 230V 7uF
8	25782	TAPPO FEMMINA 1/4 GAS	1/4 GAS FEMALE TAP	BOUCHON FEMELLE 1/4 GAZ	INNENANSCHLUSSSTOPSEL 1/4 GAS
9	12007	GUARNIZIONE KLINGERSIL4400	KLINGERSIL4400 SEAL	JOINT KLINGERSIL4400	DICHTUNG KLINGER SIL4400
10	26310003	FASCETTA GIUNZIONE MOTORE-POMPA	CLAMP MOTOR-PUMP	BANDE MOTEUR-POMPE	SHELLE MOTOR-PUMPE
11	83260016R	KIT DISACCOPIAMENTO MOTORE POMPA	KIT COUPLING MOTOR-PUMP	ENSEMBLE DECOUPLAGE MOTEUR POMPE	KIT MOTOR-PUMPE KUPPLUNG
12	4626303001	POMPA FLUID-O-TECH PB 104 3/8G CW510L	PUMP FLUID-O-TECH PB 104 NSF 3/8G	POMPE FLUID-O-TECH P0104 NFS 3/8G	PUMPE FLUID-O-TECH PB 104 NFS 3/8G
13	12101	GUARNIZIONE RAME 3/8 22x17x3	GASKET COPPER 3/8 22x17x3	JOINT CUIVRE 3/8 22x17x3	KUPFERDICHTUNG 3/8 22x17x3
14	10005	ANELLO DI ARRESTO INOX	STAINLESS STEEL STOP RING	ANNEAU DE BUTEE INOX	DRAHTSPRENGRING ROSTFREI
15	10254	FILTRO ACCIAIO 160-200 MESH	STEEL FILTER 160-200 MESH	FILTRE EN ACIER 160-200 MESH	STAHLFILTER 160-200 MESH
16	56116	RACCORDO 3/8+3/8 MOTOPOMPA ASSIEME	CONNECTOR 3/8+3/8 PUMP ASSEMBLY	RACCORD 3/8 + 3/8 ENS. MOTOPOMPE	ANSCHLUSS 3/8 + 3/8 MOTORP. ZUSAMMEN
17	25687	RACCORDO 3/8x3/8 GAS	3/8x3/8 GAS FITTING	RACCORD 3/8x3/8 GAZ	ANSCHLUSS 3/8x3/8 GAS
18	52002814	TUBO D-6 L.200	TUBE D-6 L.200	TUYAU D-6 L.200	ROHR D-6 L.200
19	30404	TUBOFLEX 3/8FF P.GOMMA CON. L-450mm Ni	FLEX PIPE 3/8 L45	TUYAU FLEX 3/8 FF L45	SCHLAUCH 3/8 AUFNAHMETUR L45 GUMMI KONI
20	30408	TUBOFLEX 3/8FF P.GOMMA L-1500mm NI	FLEX PIPE 3/8 L150	TUYAU FLEX 3/8 FF L150	SCHLAUCH 3/8 AUFNAHMETUR L150 GUMMI KONI
21	56123008	ASSIEME MOTORE 120V + POMPA	UNIT MOTOR 120V + PUMP	ENSEMBLE MOTEUR 120V + POMPE	SATZ MOTOR 120V + PUMPE
21	56123009	ASSIEME MOTORE 230V + POMPA	UNIT MOTOR 230V + PUMP	ENSEMBLE MOTEUR 230V + POMPE	SATZ MOTOR 230V + PUMPE
22	15200002	CAPPUCCIO PER CONDENSATORE	CAPACITOR CAP	HOTTE CONDENSATEUR	HOOD KONDENSATOR
23	25356	CONTRODADO OTTONE 3/8	BRASS LOCK NUT 3/8	CONTRE-ECROU LAITON 3/8	MESSING-GEGENMUTTER 3/8
24	25651	RONDELLA OTTONE 3/8	BRASS WASHER 3/8	RONDELLE LAITON 3/8	MESSINGSCHLEIBE 3/8
25	43067	RACCORDO "L" 3/8 GASx3/8 GAS L.30	3/8 GAS X 3/8 GAS L FITTING L.30	RACCORD L 3/8 GAZx3/8 GAZ L.30	ANSCHLUSS L 3/8 GAS x 3/8 GAS L. 30



ESTERNA - EXTERNAL - EXTÉRIEUR - AUSSENANSICHT

Pos	Code	Denominazione - IT -	Denomination - EN -	Denomination - FR -	Denomination - DE -
1	19050	CONDENSATORE MOTORE 220V 10mF	MOTOR CAPACITOR 220V 10mF	CONDENSATEUR MOTEUR 220V 10mF	MOTORKONDENSATOR 220V 10mF
1	19064	CONDENSATORE MOTORE 230V6uF Y001400	MOTOR CAPACITOR 230V 6uF Y001400	CONDENSATEUR MOTEUR 230V6uF Y001400	KONDENSATOR MOTOR 230V 6uF Y001400
2	18302	MOTORE RPM 230/50-60	MOTOR RPM 230/V 50-60Hz	MOTEUR RPM 230/50-60	MOTOR RPM 230/50
2	18307	MOTORE RPM 120V UL	MOTOR RPM 120V UL	MOTEUR RPM 120V UL	MOTOR RPM 120V
2	18308001	MOTORE RPM 240V/50-60Hz 262W	MOTOR RPM 240V/50-60Hz 262W	MOTEUR RMP 240V/50-60Hz 262W	MOTOR RPM 240/50-60Hz 262W
3	26310003	FASCETTA GIUNZIONE MOTORE-POMPA	CLAMP MOTOR-PUMP	BANDE MOTEUR-POMPE	SHELLE MOTOR-PUMPE
4	83260016R	KIT DISACCOPPIAMENTO MOTORE POMPA	KIT COUPLING MOTOR-PUMP	ENSEMBLE DECOUPLAGE MOTEUR POMPE	KIT MOTOR-PUMPE KUPPLUNG
5	4626303	POMPA FLUID-O-TECH CW510L	PUMP FLUYD CW510L	POMPE CW510L	PUMPE CW510L
5	4626303001	POMPA FLUID-O-TECH PO 104 3/8G CW510L	PUMP FLUID-O-TECH PO 104 NSF 3/8G	POMPE FLUID-O-TECH P0104 NFS 3/8G	PUMPE FLUID-O-TECH PO 104 NFS 3/8G
6	12154	GUARNIZIONE CU 3/8 22x17x1.5	GASKET COPPER 3/8 22x17x1,5	JOINT CUIVRE 3/8 22x17x1.5	KUPFERDICHTUNG 3/8 22x17x1.5
7	25687	RACCORDO 3/8x3/8 GAS	3/8x3/8 GAS FITTING	RACCORD 3/8x3/8 GAZ	ANSCHLUSS 3/8x3/8 GAS
8	10005	ANELLO DI ARRESTO INOX	STAINLESS STEEL STOP RING	ANNEAU DE BUTEE INOX	DRAHTSPRENGRING ROSTFREI
9	10254	FILTRO ACCIAIO 160-200 MESH	STEEL FILTER 160-200 MESH	FILTRE EN ACIER 160-200 MESH	STAHLFILTER 160-200 MESH
10	56116	RACCORDO 3/8+3/8 MOTOPOMPA ASSIEME	CONNECTOR 3/8+3/8 PUMP ASSEMBLY	RACCORD 3/8 + 3/8 ENS. MOTOPOMPE	ANSCHLUSS 3/8 + 3/8 MOTORP. ZUSAMMEN
11	83560035R	KIT MOTOPOMPA 230V	KIT MOTOR-PUMP 230V	ENSEMBLE MOTEUR-POMPE 230V	KIT MOTOR-PUMPE 230V