

# INDICE - INDEX - SOMMAIRE - VERZEICHNIS

# ACC

**ACC-04**

ACCESSORI - ACCESSORIES - ACCESSOIRES - ZUBEHÖR

rev.

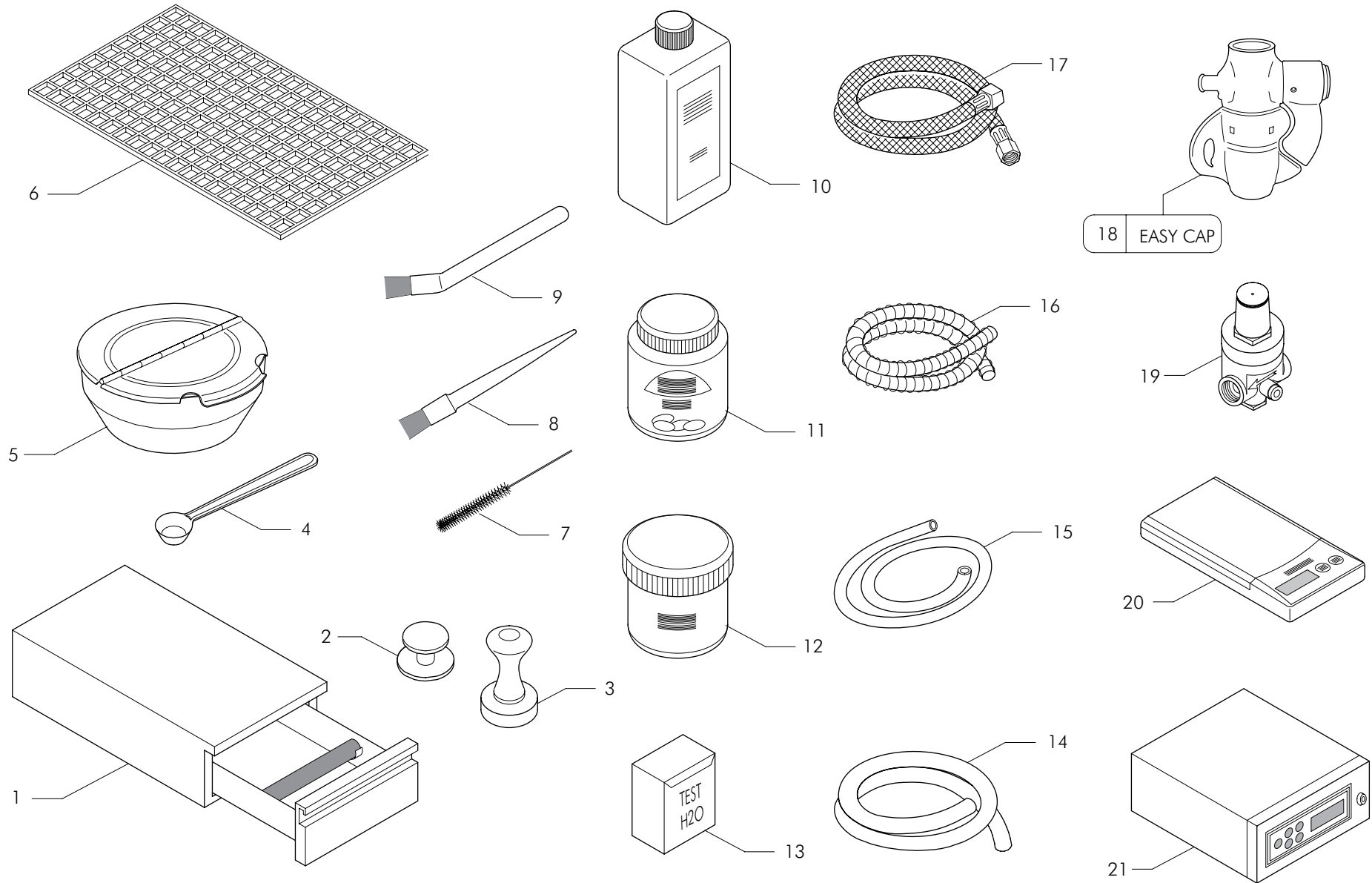
**01**  
05/2007

ACCESSORI

ACCESSORIES

ACCESSOIRES

ZUBEHÖR



Pos	Cod.	Denominazione - IT -	Denomination - GB -	Denomination - FR -	Denomination - DE -
1	31015001	CASSETTIERA INOX 350X250X75	ST.STEEL BOX WITH DRAWER	TIROIR INOX 350X250X75	SCHUBLADE AUS STAHL 350X250X75
1	31016	CASSETTIERA INOX 1 CASSETTO 500X530CON	SINGLE KNOCK OUT DRAWER 500X530X160	TIROIR A MARC SIMPLE 500X530X160	SCHUBLADE 1GR.500X530
1	31017	CASSETTIERA INOX 2 CASSETTI 700X530CON	DOUBLE KNOCK OUT DRAWER 700X530	TIROIR A MARC DOUBLE 700X530X160	SCHUBLADE 2GR. 700X530
2	15420	PRESSINO CAFFE'	COFFEE PRESS	PRESSE CAFE	EINDRÜCKVORRICHTUNG
3	30004001	PRESSINO D.58 MANICO LEGNO	COFFEE PRESS WOOD HANDLE	PRESSE CAFE MANCHE BOIS	EINDRÜCKVORRICHTUNG HOLZ GRIFF
4	15290	MISURINO IN PLASTICA GR.7	7 GR PLASTIC MEASURE	MESURE EN PLASTIQUE 7 GR.	PLASTIKMESSBECHER GR.7
4	30150	MISURINO ACCIAIO INOX	STAINLESS STEEL MEASURE GR.7	MESURE ACIER INOX 7GR.	EDELSTAHL-MESSBECHER 7GR.
5	30300	ZUCCHERIERA INOX	STAINLESS STEEL SUGAR-BOWL	SUCRIER INOX	ZUCKERDOSE ROSTFREI
6	30225	GRIGLIA MOPLEN TELCO 372X238X4.5	GRATE MOPLEN TELCO 372X238X4.5	GRILLE MOPLEN TELCO 372X238X4.5	GITTER MOPLEN TELCO 372X238X4.5
6	30226	GRIGLIA MOPLEN TELCO 372X203X4.5	GRATE MOPLEN TELCO 372X203X4.5	GRILLE MOPLEN TELCO 372X203X4.5	GITTER MOPLEN TELCO 372X203X4.5
7	15426001	SCOVOLINO INTERDENTALE L MANUALE ROSSO	MANUAL TUBE BRUSH L RED M	ECOUVILLON L MANUEL ROUGE M	REINIGUNGSBUERSTE MANUELL ROT
8	08340	PENNELLO MANICO ROSSO	RED HANDLE BRUSH	PINCEAU POIGNEE ROUGE	ROT PINSELGRIFF
9	15426	SPAZZOLINO NERO SETOLE NYLON CORTE	SHORT BLACK NYLON BRISTLE BRUSH FOR	PETITE BROSSE NOIRE AVEC POILS NYLON	KURZE, SCHWARZE NYLONBUERSTE
10	08453	DETERGENTE V7000 CONF.1LT	DETERGENT V7000 - 1 LT. PACK	DETERGENT V7000 DE 1 LT	REINIGUNGSMITTEL V7000 PACKUNG 1 L
11	08124	PULY CAFF PASTIGLIE CONF.60PZ	DETERG."PULY CAFF" - PACK OF 60 TAB	DETERG. "PULY CAFF" CONF. 60 PASTIL	REINIGUNGSM."PULY CAFF"PACK.60 TABL
12	08126	PULY CAF BARATTOLO CONF.900GR	PULY CAF - CAN - 900 GR	DETERG. "PULY CAFF" CONF. 900 GR	DUSTY CAF 900 GR.
13	08120	TEST PROVA ACQUA MERK	MERK WATER TEST	TEST PREUVE MERK	MERK WASSER TEST
14	15458	TUBO RETINATO CRISTALLINO 16X10	TUBE 16X10	TUYAU 16X10	ROHR 16X10
15	15476	TUBO SILICONE 5X8 KGXMT 0.044	5X8 SILICONE PIPE	TUYAU SILICONE 5X8 KGXMT 0.04	SILIKONROHR 5X8 KGXMT 0.044
16	15470	TUBO CAVOFLEX D16 SCARICO	D16 CAVOFLEX DRAIN PIPE	TUYAU CAVOFLEX D16 SCARICO	ABFLUSSROHR CAVOFLEX D16
17	30401	TUBOFLEX 1/4FF P.GOMMA CON. L28 NI	1/4 FEMALE L28 FLEX PIPE CONICAL HOSE	TUYAU FLEX 1/4 FF L28 PORTE-TUYAU	SCHLAUCH 1/4 AUFNAHMETÜR L28 GUMMI KONI
17	30403	TUBOFLEX 3/8FF P.GOMMA CON. L33 NI	3/8 FEMALE L33 FLEX PIPE CONICAL HOSE	TUYAU FLEX 3/8 FF L33 PORTE-TUYAU	SCHLAUCH 3/8 AUFNAHMETÜR L33 GUMMI KONI
17	30404	TUBOFLEX 3/8FF P.GOMMA CON. L45 NI	3/8 FEMALE L45 FLEX PIPE CONICAL HOSE	TUYAU FLEX 3/8 FF L45 PORTE-TUYAU	SCHLAUCH 3/8 AUFNAHMETÜR L45 GUMMI KONI
17	30407	TUBOFLEX 3/8FF P.GOMMA CON. L100 NI	3/8 FEMALE L100 FLEX PIPE CONICAL HOSE	TUYAU FLEX 3/8 FF L100 PORTE-TUYAU	SCHLAUCH 3/8 AUFNAHMETÜR L100 GUMMI KONI
17	30408	TUBOFLEX 3/8FF P.GOMMA CON. L150 NI	3/8 FEMALE L150 FLEX PIPE CONICAL HOSE	TUYAU FLEX 3/8 FF L150 PORTE-TUYAU	SCHLAUCH 3/8 AUFNAHMETÜR L150 GUMMI KONI
18	30515000	CAPPUCCINATORE COMPLETO	CAPPUCCINO MAKER COMPLETE	KIT CAPPUCCINO COMPLET	CAPPUCCINO ZUBEREITER
19	26330	RIDUTTORE PRESSIONE STANDARD PN25 DN3/8	STANDARD PRESS. REDUCTOR PN25 DN3	REDUCTEUR PRESS. STANDARD PN25 DN3/	DRUCKREDUZIERER STANDARD PN25 DN3/8
20	35AA0310	BILANCIA DIGITALE	DIGITAL SCALE	BALANCE DIGITAL	DIGITALWAAGE
21	26025	CONTABATTUTE SEMPLICE 220V 951419	SIMPLIFIED COUNTER 220V 951419	COMPTE-COUPS SEMPLIFIE 220V 951419	ZAHLER 220V 951419
21	26026	CONTABATTUTE 15 CHIAVI 220V 950859	COUNTER 15 KEYS 220V 950859	COMPTE-COUPS 15 CLES 220V 950859	ZAHLER 15 SCHLUSSEL 220V 950859
21	26028	CONTABATTUTE 15 CHIAVI 110V 951436	COUNTER 15 KEYS 110V 951436	COMPTE-COUPS 15 CLES 110V 951436	ZAHLER 15 SCHLUSSEL 110V 951436

# INDICE - INDEX - SOMMAIRE - VERZEICHNIS

# ACC

**ACC-02**

ADDOLCITORI - WATER SOFTENER - ADOUCISSEUR - ENTHARTER

rev.

**01**  
05/2007

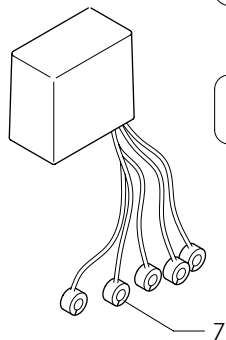
ADDOLCITORI  
WATER SOFTENER  
ADOUCISSEUR  
ENTHARTER

MULTIHEAD

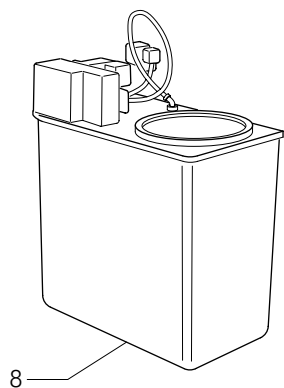
1	1GR
2	2GR
3	3GR
4	4GR

SIBILLA

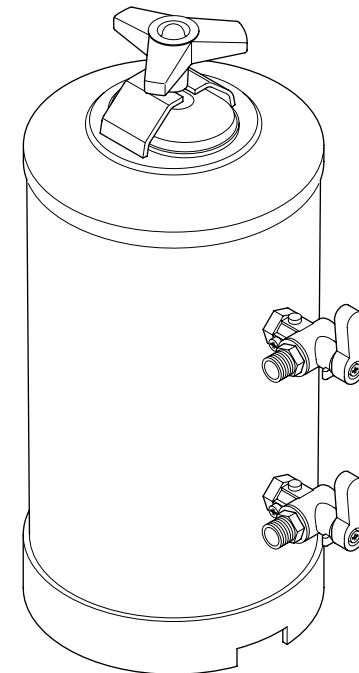
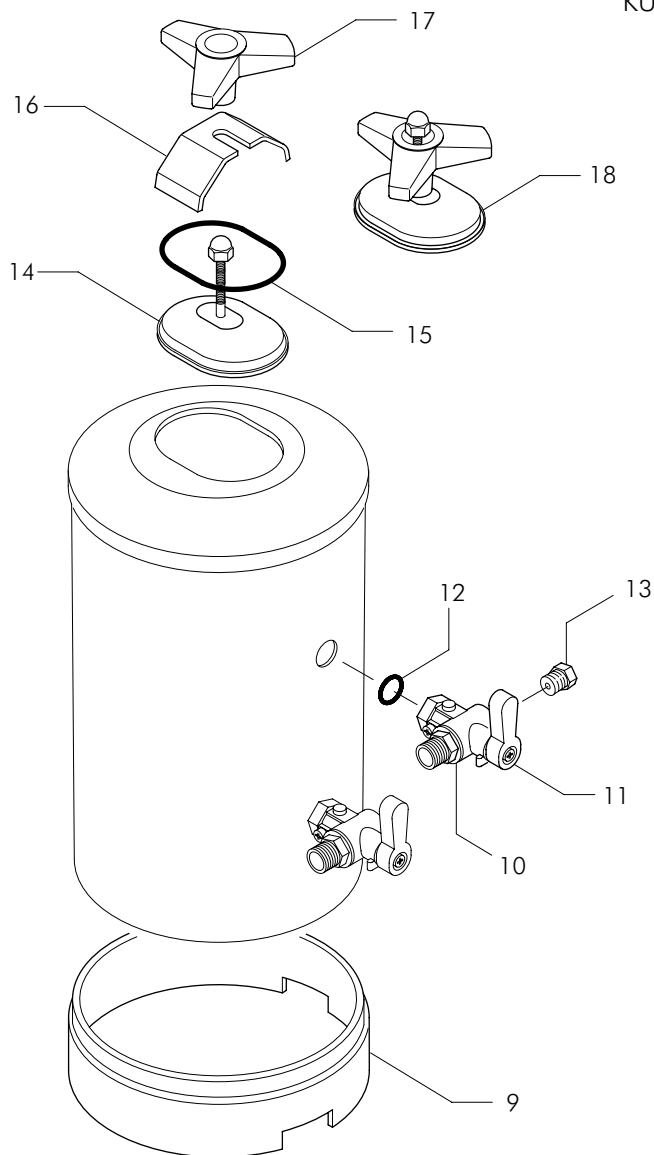
5	2GR
6	3GR



AUTOMATICO-AUTOMATIC  
AUTOMATIQUE-AUTOMATISCHE



RESINE - RESIN  
KUNSTHARZ



20	5 LT
21	8 LT
22	12 LT
23	16 LT
24	20 LT

BY-PASS	
25	8 LT
26	12 LT
27	16 LT



Pos	Cod.	Denominazione - IT -	Denomination - GB -	Denomination - FR -	Denomination - DE -
1	83260006R	KIT ADD.MULTIHEAD 1GR 120V	MULTIHEAD SOFTENER KIT 1GR 120V	KIT ADOUCISSEUR MULTIHEAD 1GR 120V	ELEKT.ENTKAELKER MULTIHEAD 1GR 120V
1	83260007R	KIT ADD.MULTIHEAD 1GR 230V	MULTIHEAD SOFTENER KIT 1GR 230V	KIT ADOUCISSEUR MULTIHEAD 1GR 230V	ELEKT.ENTKAELKER MULTIHEAD 1GR 230V
2	83260025R	KIT ADD.MULTIHEAD 2GR 120V	MULTIHEAD SOFTENER KIT 2GR 120V	KIT ADOUCISSEUR MULTIHEAD 2GR 120V	ELEKT.ENTKAELKER MULTIHEAD 2GR 120V
2	83260026R	KIT ADD.MULTIHEAD 2GR 230V	MULTIHEAD SOFTENER KIT 2GR 230V	KIT ADOUCISSEUR MULTIHEAD 2GR 230V	ELEKT.ENTKAELKER MULTIHEAD 2GR. 230V
3	83260028R	KIT ADD.MULTIHEAD 3GR 230V	MULTIHEAD SOFTENER KIT 3GR 230V	KIT ADOUCISSEUR MULTIHEAD 3GR 230V	ELEKT.ENTKAELKER MULTIHEAD 3GR. 230V
4	83260029R	KIT ADD.MULTIHEAD 4GR 230V	MULTIHEAD SOFTENER KIT 4GR 230V	KIT ADOUCISSEUR MULTIHEAD 4GR 230V	ELEKT.ENTKAELKER MULTIHEAD 4GR. 230V
5	83260019R	KIT ADD.MULTIHEAD 2GR 120V	MULTIHEAD SOFTENER KIT 2GR 120V	KIT ADOUCISSEUR MULTIHEAD 2GR 120V	ELEKT.ENTKAELKER MULTIHEAD 2GR 120V
5	83260020R	KIT ADD.MULTIHEAD 2GR 230V	MULTIHEAD SOFTENER KIT 2GR 230V	KIT ADOUCISSEUR MULTIHEAD 2GR 230V	ELEKT.ENTKAELKER MULTIHEAD 2GR 230V
6	83260022R	KIT ADD.MULTIHEAD 3GR 230V	MULTIHEAD SOFTENER KIT 3GR 230V	ADOUCISSEUR MULTIHEAD 3GR 230V	ELEKT.ENTKAELKER MULTIHEAD 3GR 230V
7	26038004	TESTA FERRITE MULTIHEAD	FERRITE RING MULTIHEAD	ANNEAU EN FERRITE MULTIHEAD	FERRITRING MULTIHEAD
8	26037	ADDOLC.AUT.CABIN.LT 8 DM 01 3/8"	AUTOMATIC WATER SOFTENER LT.8	ADOUCISSEUR AUTOMATIQUE LT.8	AUTOMATISCHE ENTHARTER DVA LT.8
8	26037001	ADDOLC.AUT.CABIN.LT 8 3/8" TESTATA USA	AUTOMATIC WATER SOFTENER LT.8 USA	ADOUCISSEUR AUTOMATIQUE LT.8 USA	AUTOMATISCHE ENTHARTER DVA LT.8 USA
9	28072	FONDELLO ADDOLCITORE	SOFTENER PLASTIC LOWER BASE	CULOT ADOUCISSEUR	BODEN ENTKALKER
10	28284	RUBINETTO PER ADDOLCITORE	TAP FOR SOFTENER	ROBINET POUR ADOUCISSEUR	HAHN FÜR ENTHÄRTER
11	28203	MANOPOLA ROSSA RUBINETTO ADDOLCIT.	RED HANDLE X WATER SOFTENER TAP	POIGNEE ROUGE X ROBINET ADOUCISSEUR	ROTER HANDGRIFF X ENTKALKERHAHN
12	12300	GUARNIZIONE OR 113 NBR/70	O RING GASKET 113 NBR/70	JOINT OR 113 NBR/70	OR-DICHTUNG 113 NBR/70
13	10320500	GIGLER OT X ADOLCITORE M6 FORO D-1 R13	SOFTENER LOWER TAP GIGLEUR	GICLEUR LAITON POUR ADOUCISSEUR M6 X	VERMESSINGTE ENTKALKER M6 D-0,8
14	28071	CORPO TAPPO + TIRANTEXADDOLCIT. C11	CAP + TIE ROD FOR SOFTENER	BOUCHON ADOUCISSEUR	ENTKALKERSTOPFEN
15	12410	GUARNIZIONE X TAPPO ADDOLCITORE	GASKET X WATER SOFTENER CAP	JOINT X BOUCHON ADOUCISSEUR	DICHTUNG X ENTKALKERSTOPFEN
16	28324	STAFFA TAPPO ADDOLCITORE C12	BRACKET CAP FOR SOFTENER	MEULE BOUCHON ADOUCISSEUR	BUGEL ENTKALKER
17	28205	MANOPOLA TAPPO ADDOLCITORE C9	SOFTENER TOP PLASTIC KNOB	POIGNEE BOUCHON ADOUCISSEUR	ENTKALKER HANDGRIFF
18	28205001	TAPPO ADDOLCITORE COMPLETO C10	SOFTENER COMLETE TOP LID	BOUCHON ADOUCISSEUR	DECKEL FUER ENTKALKER
19	28283	RESINA PER ADDOLCITORE	SOFTENER RESIN	RESINE ADOUCISSEUR	KUNSTHARZ FUR ENTKALKER
20	26029	ADDOLCITORE DVA LT 5	DVA 5 LT WATER SOFTENER	ADOUCISSEUR DVA LT 5	ENTKAELKER DVA LT 5
21	26030	ADDOLCITORE DVA LT 8	DVA 8 LT WATER SOFTENER	ADOUCISSEUR DVA LT 8	ENTHÄRTER DVA LT 8
22	26031	ADDOLCITORE DVA LT 12	DVA 12 LT WATER SOFTENER	ADOUCISSEUR DVA LT 12	ENTHÄRTER DVA LT 12
23	26032	ADDOLCITORE DVA LT 16	DVA 16 LT WATER SOFTENER	ADOUCISSEUR DVA LT 16	ENTHÄRTER DVA LT 16
24	26038011	ADDOLCITORE DVA LT 20	DVA 20 LT WATER SOFTENER	ADOUCISSEUR DVA LT 20	ENTHÄRTER DVA LT 20
25	26033	ADDOLCITORE DVA LT 8 BY-PASS	WATER SOFTENER DVA LT. 8 BY-PASS	ADOUCISSEUR DVA LT. 8 BY-PASS	ENTKALKER DVA LT.8 BY-PASS
26	26034	ADDOLCITORE DVA LT 12 BY-PASS	WATER SOFTENER DVA LT. 12 BY-PASS	ADOUCISSEUR DVA LT. 12 BY-PASS	ENTHARTER DVA LT.12 BY-PASS
27	26035	ADDOLCITORE DVA LT 16 BY-PASS	WATER SOFTNER DVA LT. 16 BY-PASS	ADOUCISSEUR DVA LT. 16 BY-PASS	ENTHALTER DVA LT.16 BY-PASS

**RPK**

**INDICE - INDEX - SOMMAIRE - VERZEICHNIS**

**RPK-01**

Rubinetti **ACQUA / VAPORE** - Taps **WATER / STEAM**  
Robinets **EAU / VAPEUR** - **WASSERHAHN / DAMPFHAHN**

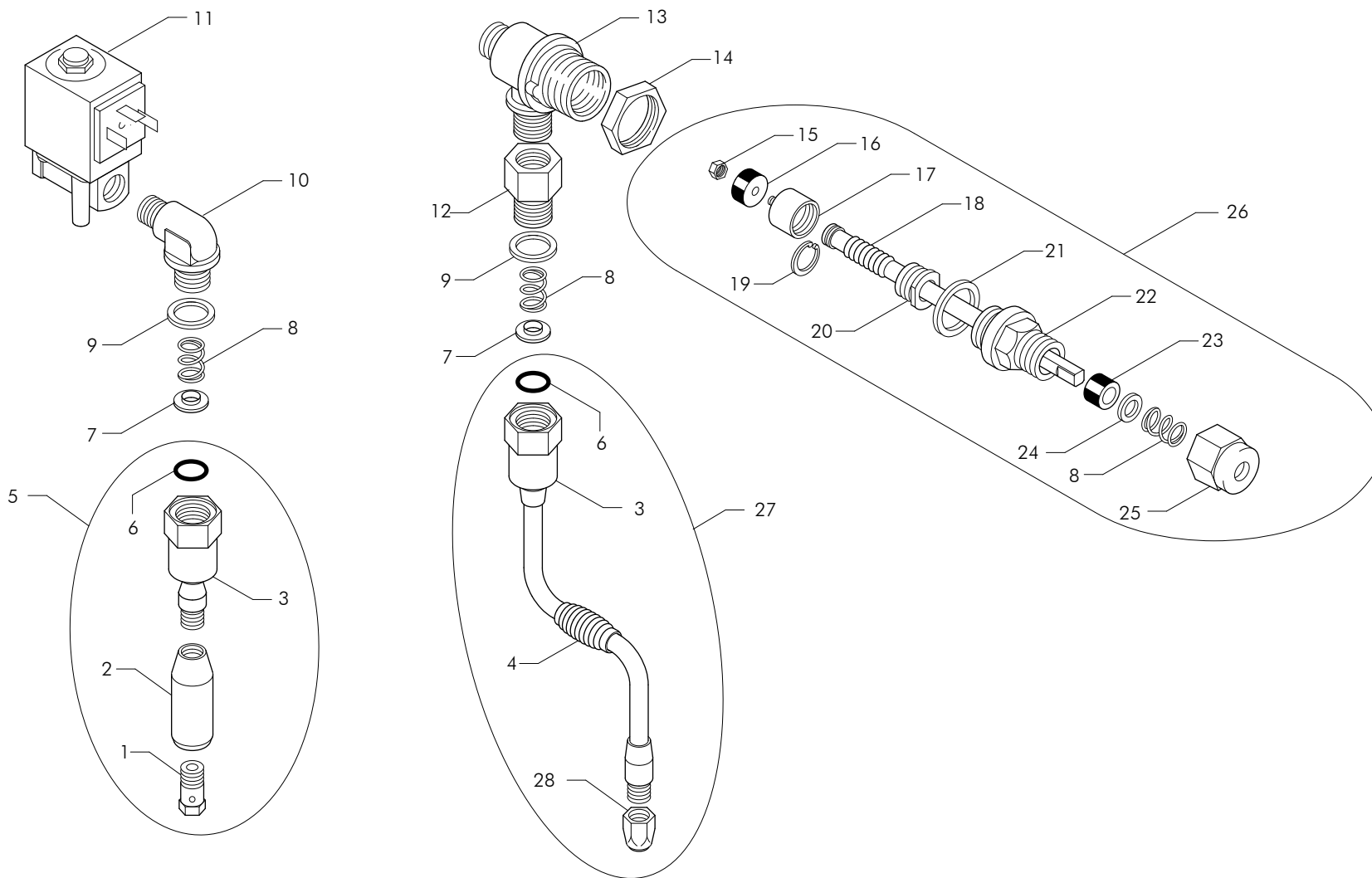
*Rubinetti  
acqua e vapore*

*Water and  
steam taps*

*Robinets eau et  
vapeur*

*Wasser-dampfhahn*

**CK - CKX**





Pos	Cod.	Denominazione - IT -	Denomination - GB -	Denomination - FR -	Denomination - DE -
1	25761	SPRUZZATORE INTERNO H2O	INTERNAL SPRAY H2O	PULVERISATEUR INT. H2O	H2O - INNENSPRITZDÜSE
2	30250	SPRUZZATORE ESTERNO H2O OTT CROMATO	EXTERNAL SPRAYER H2O CHROMIUM PLATE	PULVERISATEUR EXTERNE H2O LAITON CH	AUSSENSPRITZDÜSE H2O MESSING, VERCH
3	25391	DADO CANNA VAP/H2O X MOLLA CROMATO	NUT PIPE WATER/STEAM FOR SPRING	ECROU TUYAU VAPEUR/EAU POUR RESSORT	WASSER/DAMPF ROHRMUTTER FUR FEDER
4	15296000	GOMMINO ANTISCOT.RA X TUBO VAP.D8	ANTI-BURNING RUBBER EL. FOR STEAM	ELEMENT ANTI-BRULURE POUR TUYAU VAP.	GUMMI GEGEN VERBRENNUNGEN F. DAMPFROHR D
5	56119024	ASSIEME TUBO H2O A 57/CK	WATER TAP UNIT A 57/CK	ENSEMBLE ROBINET EAU	WASSER ROHRSATZ A 57/CK
6	12300	GUARNIZIONE OR 113 NBR/70	O RING GASKET 113 NBR/70	JOINT OR 113 NBR/70	OR-DICHTUNG 113 NBR/70
7	25657	RONDELLA MOLLA VAPORE	STEAM SPRING WASHER	RONDELLE RESSORT VAPEUR	SCHEIBE FÜR DAMPFEDER
8	10452	MOLLA RUBINETTO H2O/VAPORE N4	WATER/STEAM TAP SPRING N4	RESSORT DE ROBINET EAU-VAPEUR N4	WASSER/DAMPF HAHNFEDER N4
9	12010	GUARNIZIONE TEFLON X H2O/VAP 21X17X2	W/S PIPE GASKET TEFLON 21X17X2	JOINT TUYAU TEFLON EAU/VAP TEFLON	TEFLON-DICHTUNG X H2O/VAP 21X17X2 CNN
10	43034	RACCORDO "L" 3/8X1/4 X TUBO H2O/VAP.	ELBOW CONNec.3/8X1/4XH20/STEAM PIPE	RACCORD A COUDE 3/8X1/4 TUYAU H2O	KNIEANSCHLUSSTUCK 3/8X1/4 FUR H2O/D
11	18161990	ELETTRIVALV.VAPORE 230V VE140DRA.5	VE140DRA.5 ZB09 1/4 230V STEAM	ELECTROVANNE VAPEUR VE14DRA.5 ZB09	ELEKTROVENTIL DAMPF VE140DRA.5 ZB09 1/4
11	18161991	ELETTRIVALV.VAPORE 120V VE140DRA.5	EL.VALVE STEAM 120V VE140DRA ZB09 1/4	ELECTROVANNE VAPEUR 120V ETL	ELEKTROVENTIL DAMPF 120V ETL
12	25691003	RACCORDO PROLUNGA RUBINETTO 3/8M	CONNECTOR TAP 3/8M X 3/8F	RACCORD ROBINET 3/8M X 3/8F	HAHNFITTING 3/8M X 3/8F
13	53003	CORPO RUBINETTO	TAP BODY	CORPS DE ROBINET	HAHNKÖRPER
14	25384	DADO OTTONE M26X1.5	BRASS NUT 26X1.5	ECROU LAITON 26X1.5	MESSING-MUTTER 26X1.5
15	23050	DADO OTTONE M3 UNI 5587	BRASS NUT M3 UNI 5587	ECROU LAITON M3 UNI 5587	MESSING-MUTTER M3 UNI 5587
16	12203	GUARNIZIONE GOMMA 15X4X4	RUBBER GASKET 15X4X4	JOINT EN CAOUTCHOUC 15X4X4	GUMMIDICHTUNG 15X4X4
17	25616	PISTONCINO RUBINETTO	TAP JUMPER	PISTON ROBINET	HAHNKOLBEN
18	25311	ASTA RUBINETTO L109 CROMATA	CHROMED TAP ROD 109L	TIGE ROBINET L109 CHROME	VERCHROMTE HAHNSTANGE L109
19	10001	ANELLO ARRESTO D6 INOX 316 DIN 6799	STEEL CIRCLIP 316 DIN 6799	CIRCLIP INOX 316 DIN 6799	STAHLHALTENRING 316 DIN 6799
20	25461	GHIERA RUBINETTO	TAP RING NUT	EMBOUT ROBINET	HAHNZWINGE
21	12158	GUARNIZIONE CU RUB.26X20.5X2	26X20.5X2 COPPER SEAL	JOINT CUIVRE 3/8 22X17X1.5	KUPFERDICHTUNG 3/8 22X17X1.5
22	25678001	RACCORDO RUBINETTO	TAP FITTING	RACCORD ROBINET	HAHNANSCHLUSSTUCK
23	12204	GUARNIZIONE GOMMA RUBINETTO H2O/VAP	W/S TAP RUBBER GASKET 12.5X7.5X9	JOINT CAOUTCHOUC ROB. EAU/VAP	HAHNDICHTUNG W/D 12.5X7.5X9
24	25655	RONDELLA RUBINETTO	TAP WASHER	RONDELLE ROBINET	HAHNSCHEIBE
25	25385	DADO PREMISTOPPA RUBINETTO	TAP STUFFING NUT	ECROU DE PRESSE-ETOUPE ROBINET	STOPFBUCHSE MUTTER - HAHN
26	56102R	ASSIEME RUBINETTO H2O/VAPORE *DE*	STEAM/WATER TAP UNIT *DE*	ROBINET EAU VAPEUR	WASSER/DAMPF HAHNSATZ
27	56119023	ASS.TUBO VAP.CR.CIALDE MAN. A 57/CV	STEAM PIPE AS CR.CKP57/CV	ENSEMBLE TUYAU VAPEUR A 57/CV	DAMPFROHRSATZ A 57/CV
28	25762	SPRUZZATORE VAPORE CROMATO	STEAM NOZZLE - CHROMED	ATOMISEUR VAPEUR - CHROME'	DAMPFDUSE - CHROM

## INDICE - INDEX - SOMMAIRE - VERZEICHNIS

# CPK

rev.

### CPK-01

Carrozzeria CK - CKE - Body parts CK - CKE  
Carrosserie CK - CKE - Karosserie CK - CKE

**00**  
05/2002

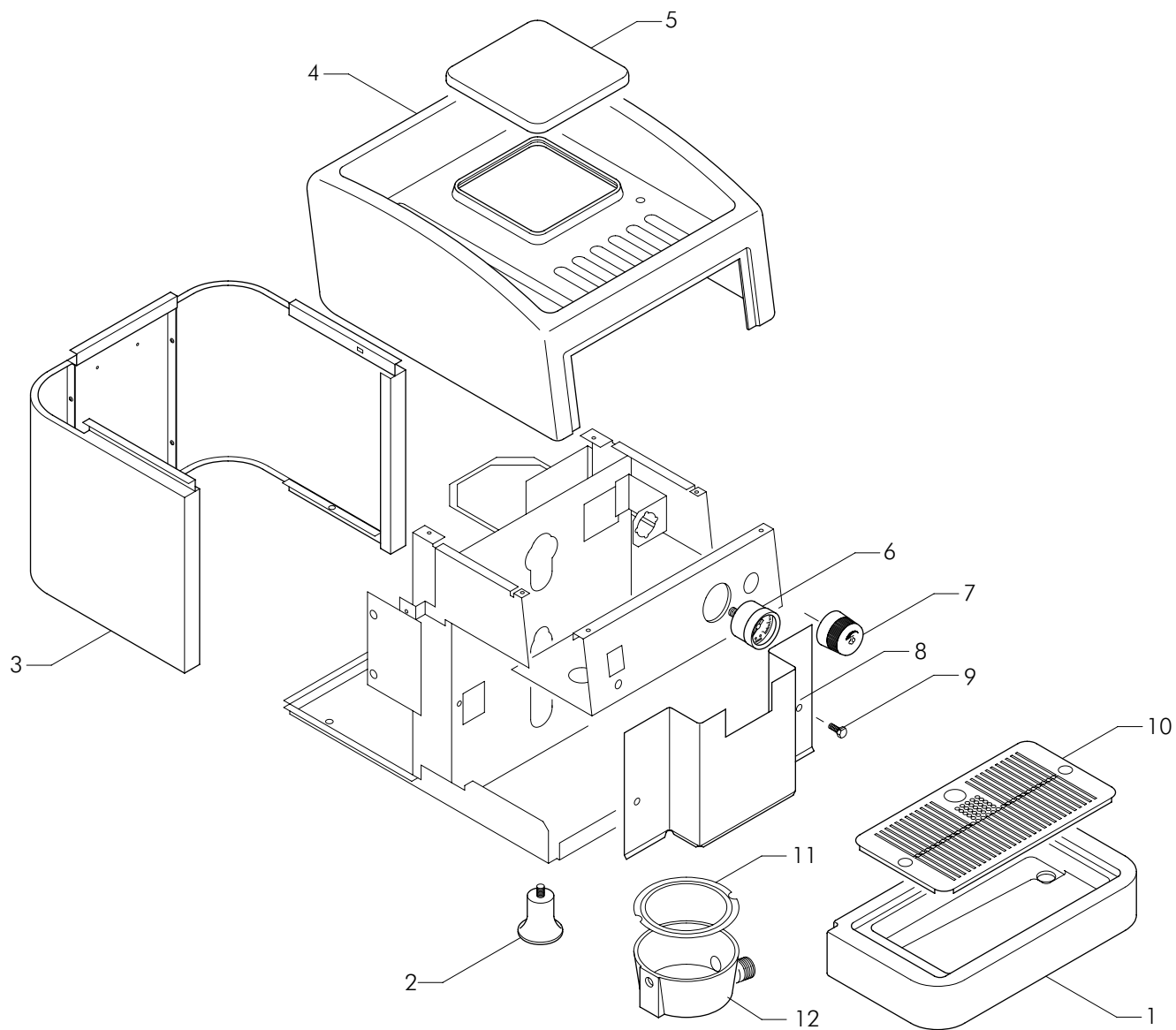
### CPK-02

Carrozzeria CKX - CKXE - Body parts CKX - CKXE  
Carrosserie CKX - CKXE - Karosserie CKX - CKXE

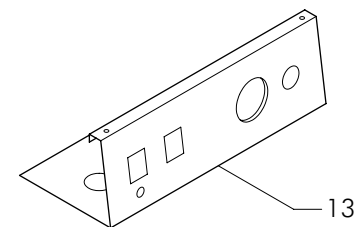
**00**  
09/2007

Carrozzeria  
Body parts  
Carrosserie  
Karosserie

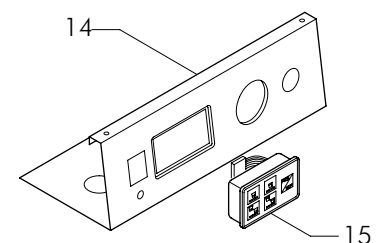
**CK-CKE**  
**CKX-CKXE**



CK

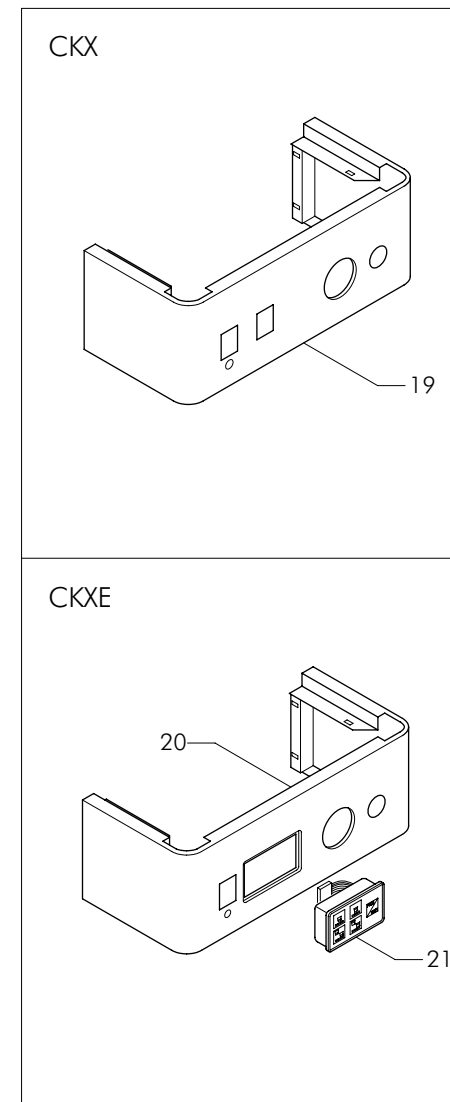
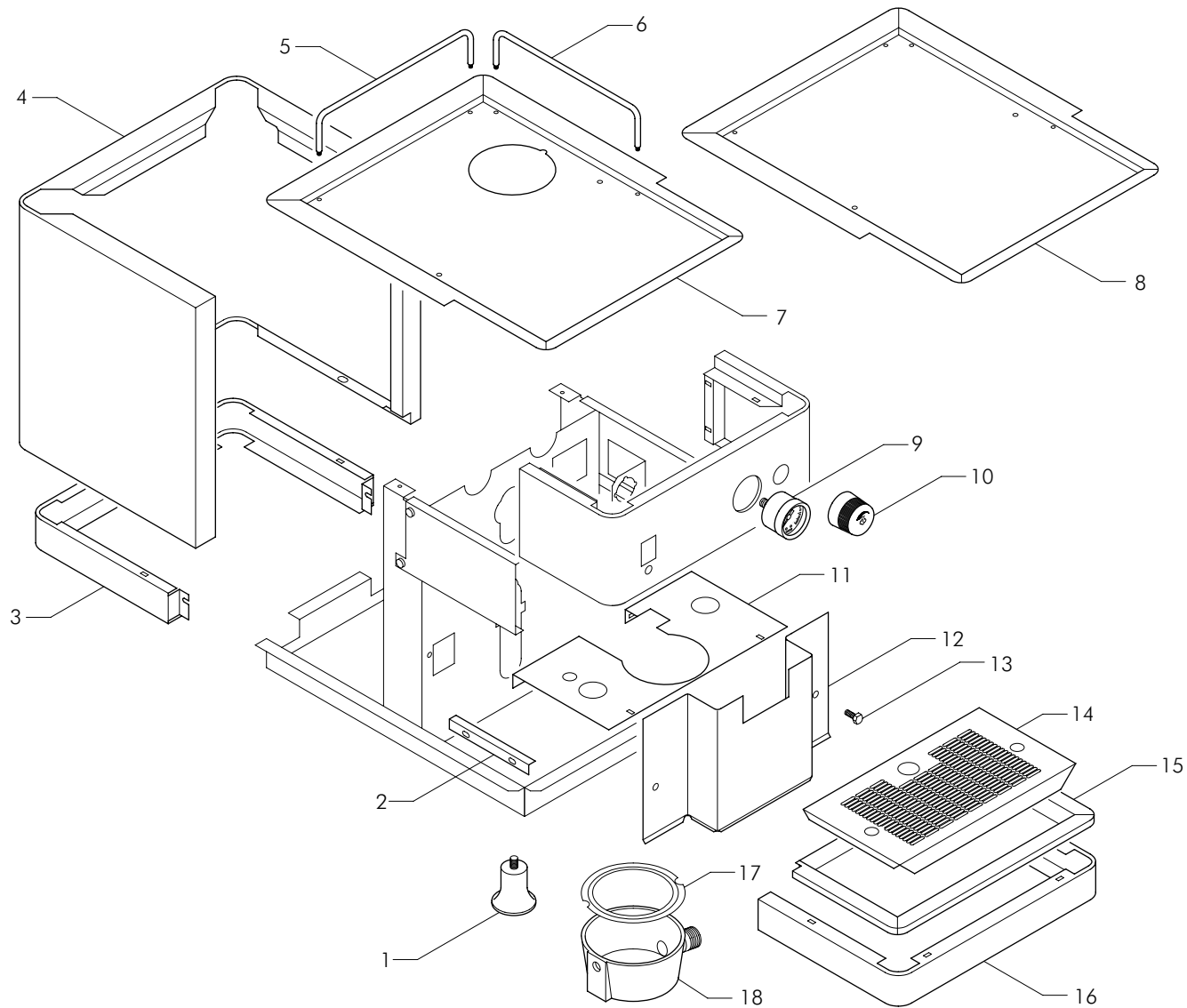


CKE



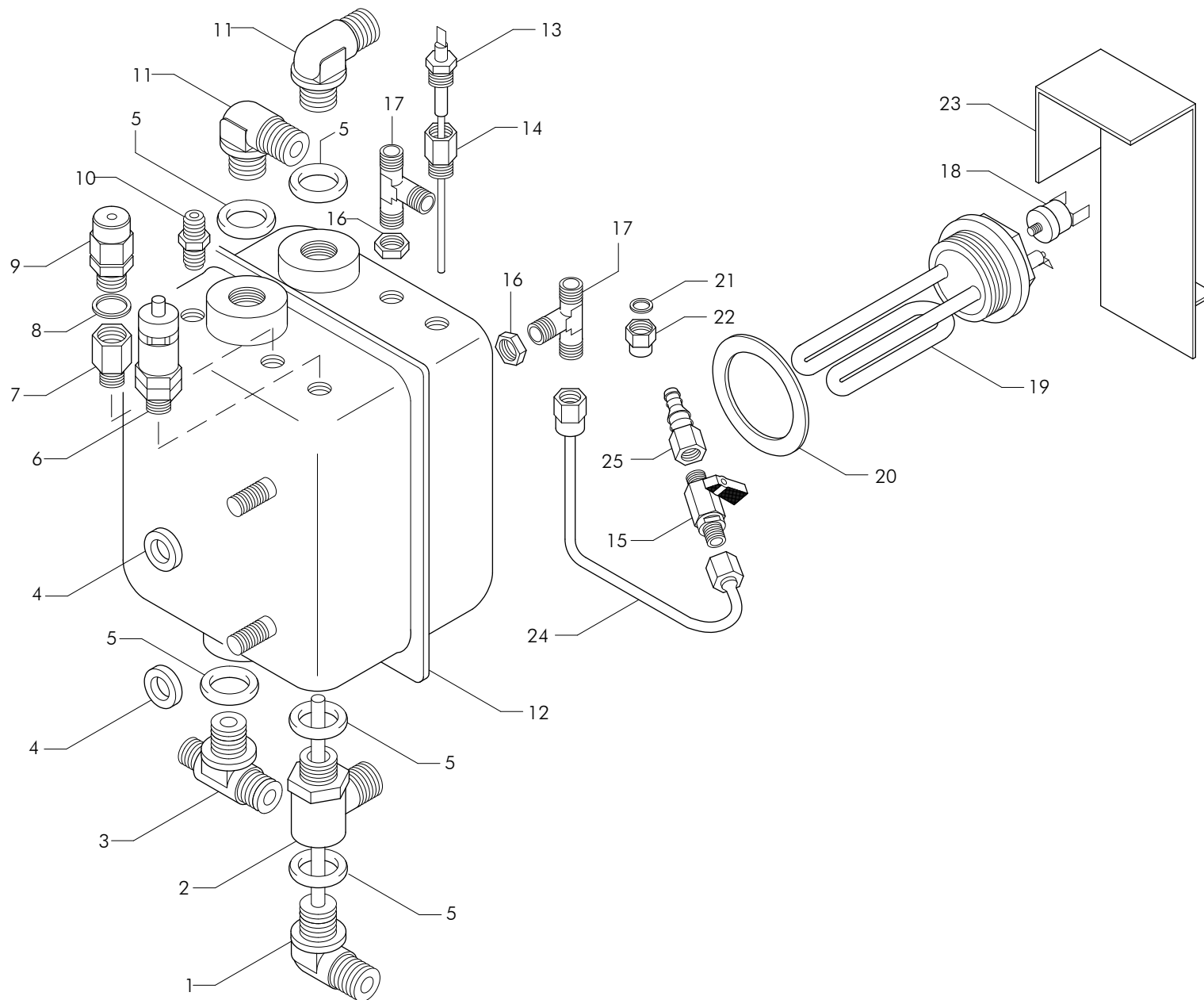
Pos	Cod.	Denominazione - IT -	Denomination - GB -	Denomination - FR -	Denomination - DE -
1	15003	BACINELLA SCARICO PLAST.CIALDE MAN.	PLASTIC DRAIN TRAY MANUAL PODS	CUVE A VIDANGER EN PLASTIQUE	KAFFEETABLETTENAUSLASSCHALE
2	15314001	PIEDINO A VENTOSA	SUCTION CUP FOOT	PIED A VENTOUSE	SAUGNAPFFUSSCHEN
3	56530	PANELLO CARROZZERIA INOX	BODY PANEL S.STEEL	PANNEAU CAROSSERIE INOX	STAHLTAFEL
4	15026	CAPPELLO IN PLASTICA COMPACT	BLACK PLASTIC CAP FOR COMPACT	CHAPEAU PLASTIQUE NOIR	KUNSTOFFDECKEL COMPACT
5	15024	COPRI CONTENITORE H2O NERO	WATER CONTAINER COVER PODS BLACK	COUVRE-RESERVOIR H2O NOIR	BEHALTERDECKEL KAFFEETABLET.SCHWARZ
6	21105	MANOMETRO 2.5 BAR 1/8 D 44 TUV	PRESSURE GAUGE 2.5 BAR 1/8 D44 TUV	MANOMETRE 2.5 BAR 1/8 D44 TUV	MANOMETER 2.5 BAR 1/8 D44 TUV
7	15251	MANOPOLA RUBINETTO VAPORE	BULK UNIT STEAM KNOB	POIGNEE ROBINET VAPEUR	DAMPFHANNGRIFF
8	77876	COPRICALDAIA COMPACT	BOILER COVER COMPACT	COUVRE-CHAUDIERE	KESSELDECKEL COMPACT
9	23420	VITE TE OTTONE M6X12 NICHELATA	M6X12NICKEL-PLATED BRASS HEX.HEAD SCREW	VIS TH LAITON M6X12 NICKELEE	SECHSKANTSCHRAUBE AUS MESSING M6X12
10	76339	GRIGLIA INFERIORE COMPACT INOX/LUC	LOWER GRILL COMPACT S.STEEL	GRILLE INFERIEURE INOX	STAHLGITTER UNTEN FUR COMPACT
11	77799001	FERMO VASCHETTA	STEEL CIRCLIP DRAIN BASIN	CIRCLIP CUVE A VIDANGER	HALTENRING ABFLUSSCHALE
12	15502	VASCHETTA SCARICO ROTONDA D 80	ROUND DRAIN BASIN D.80MM	CUVE A VIDANGER RONDE D.80MM	RUNDE ABFLUSSCHALE D.80MM
13	71757	FRONTALE COMPACT CK	FRONT PANEL COMPACT CK	PANNEAU FRONTAL CK	FRONTBLLENDE COMPACT CK
14	71757001	FRONTONE COMPACT CKE	FRONT PANEL COMPACT CKE	PANNEAU FRONTAL CKE	FRONTBLLENDE COMPACT CKE
15	18371008	PULSANTIERA 5T	TOUCH PAD 5BUTTONS	CLAVIER A TOUCHES 5T	DRUCKKNOPFTAFEL 5T





Pos	Cod.	Denominazione - IT -	Denomination - GB -	Denomination - FR -	Denomination - DE -
1	15314001	PIEDINO A VENTOSA	SUCTION CUP FOOT	PIED A VENTOUSE	SAUGNAPFFUSSCHEN
2	77742100	GUIDA DX-SX BACINELLA	GUIDE FOR TRAY	GUIDAGE CUVE	FUHRUNG SCHALE
3	77235010	PROFILO BASAMENTO POSTERIORE INOX	BACK BASE STRIP S.STEEL	PROFIL BASE POST.INOX	PROFIL BASE HUNTEN STHAL
4	75700100	PANNELLO CARROZZERIA	BODY PANEL	PANNEAU CARROSSERIE	TAFEL
5	77789900	TONDINO FERMATAZZE POSTERIORE	BACK ROUND BAR	FER ROND POST.	RUND HINTEN
6	77789901	TONDINO FERMATAZZE DX/SX	RH-LH ROUND BAR	FER ROND DROIT-GAUCHE	RUND RECHTS/LINKS
7	77235020	COPERCHIO CARROZZERIA	BODY COVER	COUVERCLE CARROSSERIE	KAROSSERIE DECKEL
8	77235021	COPERCHIO CARROZZERIA M.I.	BODY COVER M.I.	COUVERCLE CARROSSERIE M.I.	KAROSSERIE DECKEL M.I.
9	21105	MANOMETRO 2.5 BAR 1/8 D 44 TUV	PRESSURE GAUGE 2.5 BAR 1/8 D44 TUV	MANOMETRE 2.5 BAR 1/8 D44 TUV	MANOMETER 2.5 BAR 1/8 D44 TUV
10	15251	MANOPOLA RUBINETTO VAPORE	BULK UNIT STEAM KNOB	POIGNEE ROBINET VAPEUR	DAMPFHAHNGRIFF
11	77297000	COPRIMPIANTO CKX/CKXE	CABLE-COVER CKX/CKXE	COUVRE-CABLAGE CKX/CKXE	VEDRAHTUNHDECKEL CKX/CKXE
12	77876	COPRICALDAIA COMPACT	BOILER COVER COMPACT	COUVRE-CHAUDIERE	KESSELDECKEL COMPACT
13	23420	VITE TE OTTONE M6X12 NICHELATA	M6X12NICKEL-PLATED BRASS HEX.HEAD SCREW	VIS TH LAITON M6X12 NICKELEE	SECHSKANTSCHRAUBE AUS MESSING M6X12
14	76339000	GRIGLIA INFERIORE	LOWER GRILL	GRILLE INFERIEURE	GITTER UNTEN
15	76080100	BACINELLA SCARICO	DRAIN TRAY	CUVE A VIDANGER	AUSLASSCHALE CKX/E
16	77235000	PROFILO BASAMENTO ANTERIORE INOX	BLACK BASE PROFILE S.STEEL	PROFIL BASE INOX	BASISPROFIL STAHL
17	77799001	FERMO VASCHETTA	STEEL CIRCLIP DRAIN BASIN	CIRCLIP CUVE A VIDANGER	HALTENRING ABFLUSSCHALE
18	15502	VASCHETTA SCARICO ROTONDA D 80	ROUND DRAIN BASIN D.80MM	CUVE A VIDANGER RONDE D.80MM	RUNDE ABFLUSSCHALE D.80MM
19	71759000	FRONTONE CKX INOX	FRONT PANEL CKX S.STEEL	PANNEAU FRONTAL CKX INOX	FRONTBLLENDE CKX STAHL
20	71759010	FRONTONE CKXE INOX	FRONT PANEL CKXE S.STEEL	PANNEAU FRONTAL CKXE INOX	FRONTBLLENDE CKXE STAHL
21	18371008	PULSANTIERA 5T	TOUCH PAD 5BUTTONS	CLAVIER A TOUCHES 5T	DRUCKKNOPFTAFEL 5T





Pos	Cod.	Denominazione - IT -	Denomination - GB -	Denomination - FR -	Denomination - DE -
1	52002012	TBS.D-6 L.100 WE	PIPE D-6 L.100	TUYAU D.6 L.100	KANN.D-6 L.100 WE
2	43020	DISTANZIALE POMPA	PUMP SPACER	ENTRETOISE POMPE	PUMPENENTFERNUNGSSTUCK
3	43033	RACCORDO "T" 3/8X3/8X1/4	3/8X3/8X1/4 T FITTING	RACCORD "T" 3/8X3/8X1/4	ANSCHLUSS 3/8X3/8X1/4 T
4	25770	SPESSORE GRUPPO LEVETTA	LEVER GROUP THICKNESS	EPAISSEUR GROUPE A LEVIER	HEBELGRUPPIGE DICKE
5	12101	GUARNIZIONE CU/ALIM 3/8 22X17X3	3/8 22X17X3 FEEDER/COPPER SEAL	JOINT CUIVRE/ALIM 3/8 22X17X3	KUPFERDICHTUNG/SPEIS. 3/8 22X17X3
6	20357	VALVOLA DI SICUREZZA 1/8 VAP	STEAM SAFETY VALVE 1/8	CLAPET DE SURETE 1/8 VAPEUR	DAMPF SICHERHEITSVENTIL 1/8
7	25743	RIDUZIONE 1/4FX1/8M V.A.R.	REDUCTION 1/4FX1/8M V.A.R.	REDUCTION 1/4FX1/8M V.A.R.	REDUKTION 1/4FX1/8M V.A.R.
8	12153	GUARNIZIONE CU 1/4 17X13.3X1.5	1/4 17X13.3X1.5 COPPER SEAL	JOINT CUIVRE 1/4 17X13.3X1.5	KUPFERDICHTUNG 1/4 17X13.3X1.5
9	56150	VALVOLA ANTIRISUCCHIO V.A.R.	ANTI-EDDY VALVE V.A.R.	SOUPAPE ANTI-DEPRESSION V.A.R.	VENTIL UNTERDRUCKFREI V.A.R.
10	23210	RACCORDO DIRITTO D4 1/8X1/8 CON L.5	STRAIGHT FITTING D4 1/8X1/8 CONICAL	RACC. DROIT D4 1/8X1/8 CONIQUE L.5	GERADER ANSCHLUSS D4 1/8X1/8 MIT L.5 110
11	43052	RACCORDO "L" 3/8	CONNECTOR 'L' 3/8	RACCORD 'L' 3/8	ANSCHLUSS 'L' 3/8
12	62601	CALDAIA 2 SCAMBIATORI	BOILER 2 EXCHANGERS	CHAUDIERE 2 ECHANGEURS	KESSEL 2
13	20251	SONDA LIVELLO TL 10/B L125 908600	TL 10/B L125 900000 LEVEL PROBE	JAUGE TL 10/B L125 900000	PEGELFÜHLER TL 10/B L125 900000
14	25742	RIDUZIONE 1/8MX1/8F SON.LIV.COMP.	REDUCTION 1/8MX1/8F	REDUCTION 1/8MX1/8F	REDUKTION 1/8MX1/8F
15	20354	VALVOLA CHIUSURA AEA	PRESSURE RELEASE TAP BULK UNIT	CLAPET FERMETURE AUT.ARRIVEE EAU	ABSPERRVENTIL X AUT.WASSERZUFUHR
16	25395	DADO 1/8 MANOMETRO	1/8 NUT GAUGE	ECROU 1/8 MANOMETRE	MUTTER 1/8 MANOMETER
17	23211	RACCORDO OTT."T" 1/8X1/8X1/8 30006	BRASS CONNECTOR 'T' 1/8X1/8X1/8	RACCORD LAITON "T" 1/8X1/8X1/8	MESSING FITTING "T" 1/8X1/8X1/8
18	20304	TERMOSTATO SAL.RES.145°C V M4X6 RM	SAFETY CUT-OUT 32455 RFJL4U 24G3	CLICSON 32455 RFJL4U 24G3	KLEMME HEIZKORPERSCHUTZ RFJL4U 24G3
19	17200	RESISTENZA MATASSA 1"1/4 120/1200W	HEATING ELEMENT 1"1/4 110V 1200W	RESISTANCE ELEC. 1"1/4 110V 1200W	HEIZKORPER 1"1/4 110V 1200W
19	17201	RESISTENZA MATASSA 1"1/4 230/1300W	HEATING ELEMENT 1"1/4 220V 1300W	RESISTANCE ELEC. 1"1/4 220V 1300W	HEIZKORPER 1"1/4 220V 1300W
19	17202	RESISTENZA MATASSA 1"1/4 240/1300W	HEATING ELEMENT 1"1/4 240V 1300W	RESISTANCE ELEC. 1"1/4 240V 1300W	HEIZKORPER 1"1/4 240V 1300W
20	12001	GUARNIZIONE TEFLON VERGINE X RES/SCA	TEFLON GASKET ELEMENT/EXCH. 58X43X2	JOINT TEFLON RESIST/ECHANG. 58X43X2	TEFLON DICHTUNG 58X23X2
21	12012	GUARNIZIONE TEFLON 8.5X4X2	GASKET TEFLON 8.5X4X2	JOINT TEFLON 8.5X4X2	DICHTUNG TEFLON 8.5X4X2
22	25790	TAPPO 1/8 GAS FEMMINA	FEMALE CAP 1/8 GAS	BOUCHON FEMELLE 1/8 GAS	STOPFEN 1/8 GAS
23	776925	COPRI RESISTENZA COMPACT	HEATING ELEMENT COVER	COUVRE-RESISTENCE	HEIZKORPERDECKEL
24	52002055	TUB.D-6 L.170 CO 45 SCARICO CALD.	PIPE D-6 L.170	TUYAU D-6 L.170	ROHR D-6 L.170
25	25622	PORTAGOMMA 1/4 CON X SIC GAS	1/4 CONICAL HOSE CONNECTION FOR GAS	PORTE-TUYAU 1/4 CONIQUE POUR SECU.	SCHLAUCHHALTER 1/4 MIT X GASSICHERUNG



**Gruppo PASSANTE**  
**BUSHING group**  
**Groupe PASSANT**  
**SCHLAUFE Gruppe**

---

**GRE-35**

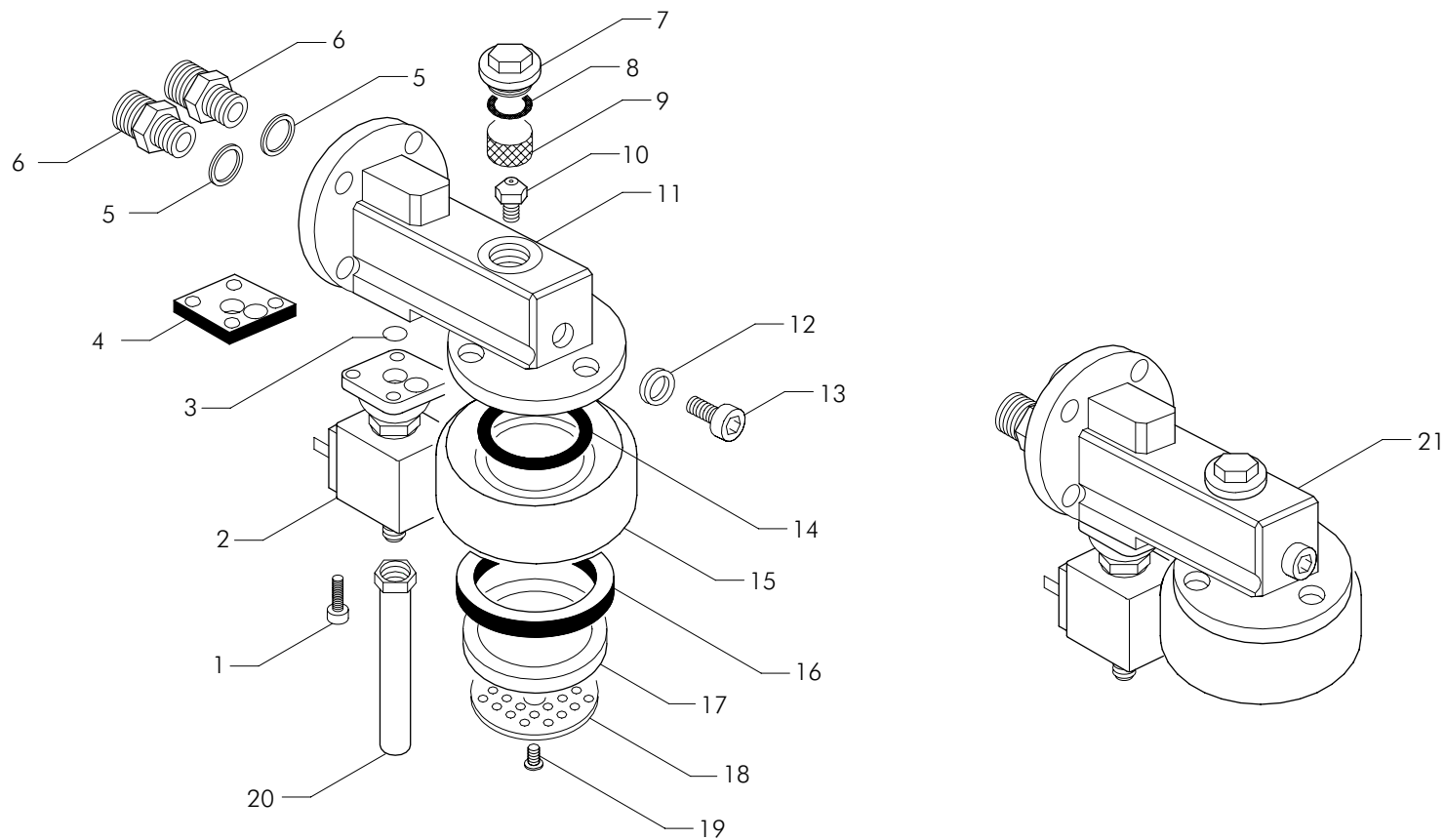
Passante - Bushing - Passant - Schlaufe

rev.

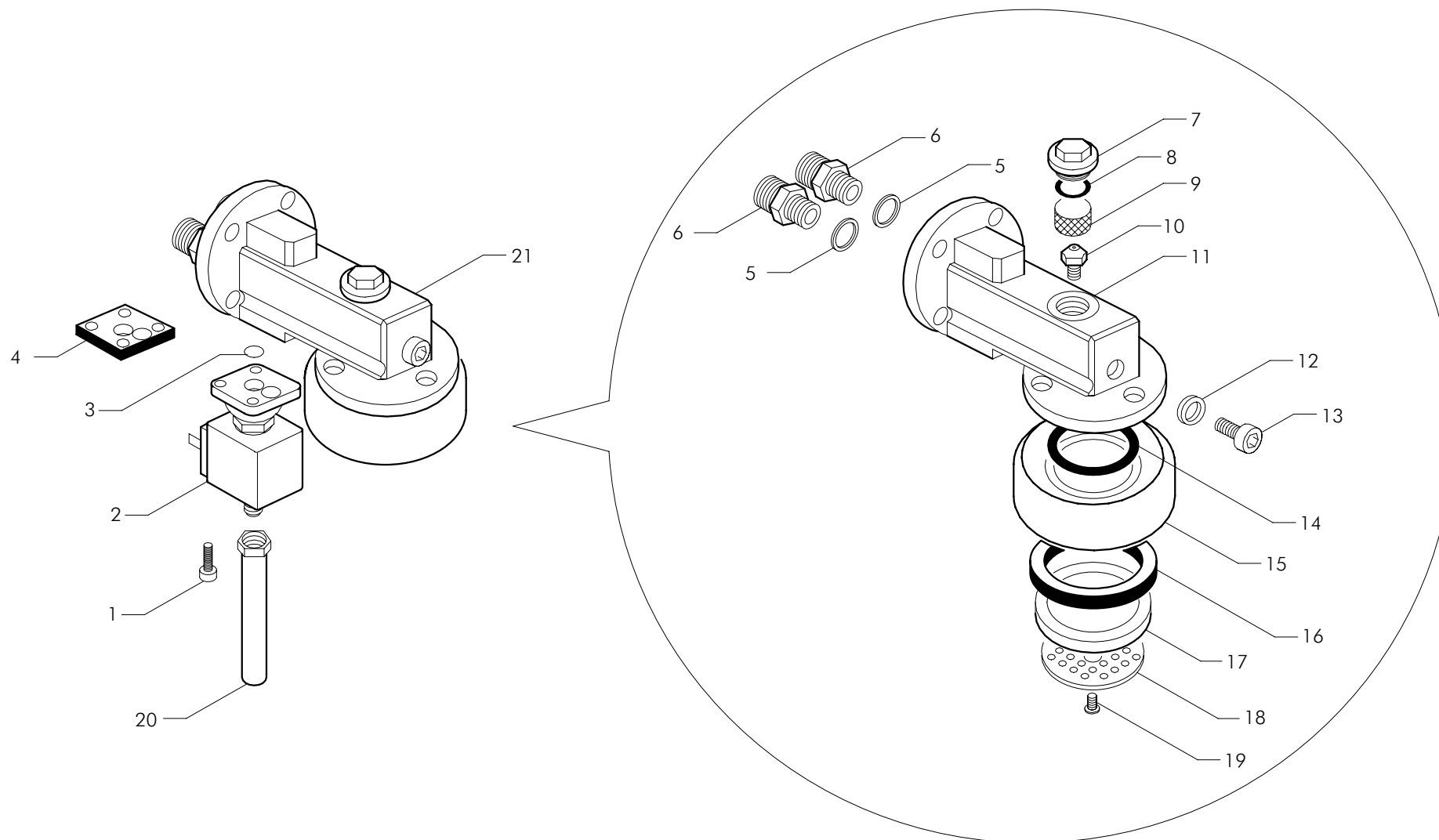
**00**  
05/2002

rev.

**01**  
06/2006



Pos	Cod.	Denominazione - IT -	Denomination - GB -	Denomination - FR -	Denomination - DE -
1	23560	VITE TCEI INOX 4X16	SCREW TCCE S.STEEL 4X16	VIS TCCE INOX 4X16	STAHLSCHRAUBE TCCE 4X16
2	18150	ELETTROVALVOLA GRUPPO 110V 50-60HZ	GROUP SOLENOID VALVE 110/50-60	ELECTROVANNE GROUPE 110/50-60	GRUPPENMAGNETVENTIL 110/50-60
2	18151	ELETTROVALVOLA GRUPPO 220/240V	GROUP SOLENOID VALVE 220/240 50-60	ELECTROVANNE GROUPE 220/240 50-60	GRUPPENMAGNETVENTIL 220/240 50-60
2	18161996	ELETTROVALVOLA GRUPPO 230V UL/ETL	GRP.SOL.VALVE VE128IRA5 230V UL/ETL	ELECTROVAN. GR.VE128IRA.5 ZB09 230V	ELEKTR.EINHEIT VE128IRA.5 ZB09 230V UR E
2	18161997	ELETTROVALVOLA GRUPPO 115V UL/ETL	GRP.SOL.VALVE VE 128IRA.5 115V UR ETL	ELEC.VANNE GR.VE128IRA.5 115V UR ETL	GRUPPEVENTIL VE128IRA.5 115V UR ETL
3	12305	GUARNIZIONE OR 105 GR.ELETT.VITON	O RING SEAL 105 GREEN VITON SOLENOI	JOINT OR 105 GR. ELECT. VITON VERT	O-RINGDICHT. 105 EKELTR. EINHEIT VITON G
4	12013	GUARNIZIONE PTFE LV 2030 ELETTROVAL.	GASKET FOR SOLENOID VALVE GR PTFE	JOINT POUR ELECTROVANNE GR PTFE	MAGNETVENTILDICHT.GR PTFE LV 2030
5	12153	GUARNIZIONE CU 1/4 17X13.3X1.5	1/4 17X13.3X1.5 COPPER SEAL	JOINT CUIVRE 1/4 17X13.3X1.5	KUPFERDICHTUNG 1/4 17X13.3X1.5
6	25716001	RACCORDO 3/8X1/4 SEDE TUBO 10	CONNECTOR 3/8X1/4	RACCORD 3/8X1/4	FITTING 3/8X1/4
7	25789	TAPPO GRUPPO EROGAZIONE	DISTRIBUTION GROUP CAP	BOUCHON GROUPE DEBIT	STOPFEN DER ABGABEGRUPPE
8	12303	GUARNIZIONE OR 119 VITON TAPPO	CAP O RING GASKET 119	JOINT OR 119 POUR BOUCHON	OR DICHTUNG FUR STOPFEN 119
9	10252	FILTRO PER GRUPPO 10.5X13.5X11	GROUP FILTER 10.5X13.5X11	FILTRE POUR GROUPE 10.5X13.5X11	GRUPPENFILTER 10.5X13.5X11
10	10300	GIGLER OTT. X GRUPPO D 0.8	BRASS GROUP JET D.0.8	GICLEUR LAITON POUR GROUPE D.0.8	VERMESSINGTE GRUPPEDUSE D 0.8
11	25369	CORPO GRUPPO EROGAZIONE COMPACT	DISTRIBUTION GROUP BODY COMPACT	CORPS GROUPE DEBIT COMPACT	KORPER DER COMPACT ABGABEGRUPPE
12	12155	GUARNIZIONE CU 8.5X5X1	COPPER GASKET 8.5X5X1	JOINT CU 8.5X5X1	CU DICHTUNG 8.5X5X1
13	23552	VITE TCEI INOX 5X10	STEEL SCREW TCCE 5X10	VIS INOX TCCE 5X10	STAHLSCHRAUBE TCCE 5X10
14	12304	GUARNIZIONE OR 4187 GRUP.ER VITON	DISTRIBUTION GR. O RING GASKET 4187	JOINT OR4187 GR DEBIT MC/482	OR DICHTUNG FUR AUSGABEGRUPPE 4187
15	25250	ANELLO AGGANCIATORE CROMATO	CHROMED CLAMPING RING	SABOT CHROME	CHROM GRUPPENRING
16	12215	GUARNIZ. GOMMA S.COPPA 72X56X8.5 MAGG	LARGER SIZED FILTER SUPPORT RUBBER	JOINT CAOUTCHOUC SOUCOUBE 72X56X8.5	FILTERHALTER-GUMMIDICHTUNG 72X56X8 GROSS
16	12217	GUARNIZ. GOMMA S.COPPA 72X56X8 NORMAL	STANDARD SIZE FILTER SUPPORT RUBBER	JOINT CAOUTCHOUC SOUCOUBE 72X56X8 N	FILTERHALTER-GUMMIDICHTUNG 72X56X8 NORMA
17	25627	PORTADOCCHETTA GRUPPO EROGAZIONE	WATER SPOUT UNIT SUPPORT	PORTE-DOUCHETTE GROUPE DISTRIBUTION	DUSCHTRÄGER VERSORGUNGSEINHEIT
18	27100	DOCCHETTA GRUPPO ER 51.9	GROUP SHOWER PLATE 51.9	DOUCHETTE GROUPE ER 51.9	DUSCHE VERTEILEREINHEIT 51.9
19	23510	VITE TPS INOX 5X14 TAGLIO CACC.	5X14 STAINLESS STEEL FLATHEAD SCREW	VIS TPS INOX 5X14 DE TOURNEVIS	SCHRAUBE TPS ROSTFREI5X14 SCHRAUBEN
20	52000166	TUB.D-12 OT TAGLIATO L.92 1-4GR	CUT BRASS TUBE D-12 1-4 GR	TUBE COUPE' D-12 1-4 GR	ROHR D-12 MESSING GESCHNITTEN L.92 1-4GR
21	56050	GRUPPO SCAMBIATORE PASS.120/60 UL	UNIT DISTRIBUTION GROUP 120/60 UL	ENSEMBLE GROUPE 120/60 UL	SATZ-ABGABEGRUPPE 120/60 UL
21	56051	GRUPPO SCAMBIATORE PASS. 230/60 UL	UNIT DISTRIBUTION GROUP 230/60 UL	ENSEMBLE GROUPE 230/60 UL	SATZ-ABGABEGRUPPE 230/60 UL
21	56055	GRUPPO SCAMBIATORE PASS. 230/50-60	UNIT DISTRIBUTION GROUP 230/50-60	ENSEMBLE GROUPE 230/50-60	SATZ-ABGABEGRUPPE 230/50-60
21	56056	GRUPPO SCAMBIATORE PASS. 110/60	UNIT DISTRIBUTION GROUP 110/60	ENSEMBLE GROUPE 110/60	SATZ-ABGABEGRUPPE 110/60



Pos	Cod.	Denominazione - IT -	Denomination - GB -	Denomination - FR -	Denomination - DE -
1	23560	VITE TCEI INOX 4X16	SCREW TCCE S.STEEL 4X16	VIS TCCE INOX 4X16	STAHLSCHRAUBE TCCE 4X16
2	18150	ELETTRORVALVOLA GRUPPO 110V 50-60HZ	GROUP SOLENOID VALVE 110/50-60	ELECTROVANNE GROUPE 110/50-60	GRUPPENMAGNETVENTIL 110/50-60
2	18151	ELETTRORVALVOLA GRUPPO 220/240V 50-60HZ	GROUP SOLENOID VALVE 220/240 50-60	ELECTROVANNE GROUPE 220/240 50-60	GRUPPENMAGNETVENTIL 220/240 50-60
2	18161996	ELETTRORVALVOLA GRUPPO 230V VE128IRA.5 ZB	GRP.SOL.VALVE VE128IRA5 230V UL/ETL	ELECTROVAN. GR.VE128IRA.5 ZB09 230V	ELEKTR.EINHEIT VE128IRA.5 ZB09 230V UR E
2	18161997	ELETTRORVALVOLA GRUPPO 115V VE128IRA.5 ZB	GRP.SOL.VALVE VE 128IRA.5 115V UR ETL	ELEC.VANNE GR.VE128IRA.5 115V UR ETL	GRUPPEVENTIL VE128IRA.5 115V UR ETL
3	12305	GUARNIZIONE OR 105 GR.ELETT.HNBR 70SH	O RING SEAL 105 GREEN SOLENOI	JOINT OR 105 GR. ELECT.	O-RINGDICHT. 105 EKELTR. EINHEIT
4	12013	GUARNIZIONE PTFE LV 2030 ELETTRORVALVOLA	GASKET FOR SOLENOID VALVE GR PTFE	JOINT POUR ELECTROVANNE GR PTFE	MAGNETVENTILDICHT.GR PTFE LV 2030
5	12153	GUARNIZIONE CU 1/4 17X13.3X1.5	1/4 17X13.3X1.5 COPPER SEAL	JOINT CUIVRE 1/4 17X13.3X1.5	KUPFERDICHTUNG 1/4 17X13.3X1.5
6	25716001	RACCORDO 3/8X1/4 SEDE TUBO 10	CONNECTOR 3/8X1/4	RACCORD 3/8X1/4	FITTING 3/8X1/4
7	25789	TAPPO GRUPPO EROGAZIONE	DISTRIBUTION GROUP CAP	BOUCHON GROUPE DEBIT	STOPFEN DER ABGABEGRUPPE
8	12303	GUARNIZIONE OR 119 HNBR TAPPO GRUPPO / V	CAP O RING GASKET 119	JOINT OR 119 POUR BOUCHON	OR DICHTUNG FUR STOPFEN 119
9	10252	FILTRO PER GRUPPO 10.5X13.5X11	GROUP FILTER 10.5X13.5X11	FILTRE POUR GROUPE 10.5X13.5X11	GRUPPENFILTER 10.5X13.5X11
10	10300001	GIGLER OTT. X GRUPPO D 0.7	BRASS GROUP JET D.0.7	GICLEUR LAITON POUR GROUPE D.0.7	VERMESSINGTE GRUPPEDUSE D 0.7
11	25369	CORPO GRUPPO EROGAZIONE COMPACT	DISTRIBUTION GROUP BODY COMPACT	CORPS GROUPE DEBIT COMPACT	KORPER DER COMPACT ABGABEGRUPPE
12	12155	GUARNIZIONE CU 8.5X5X1	COPPER GASKET 8.5X5X1	JOINT CU 8.5X5X1	CU DICHTUNG 8.5X5X1
13	23552	VITE TCEI INOX 5X10	STEEL SCREW TCCE 5X10	VIS INOX TCCE 5X10	STAHLSCHRAUBE TCCE 5X10
14	12304	GUARNIZIONE OR 4187 GRUP.ER HNBR NERO 70	DISTRIBUTION GR. O RING GASKET 4187	JOINT OR4187 GR DEBIT MC/482	OR DICHTUNG FUR AUSGABEGRUPPE 4187
15	25250	ANELLO AGGANCIATORE CROMATO	CHROMED CLAMPING RING	SABOT CHROME	CHROM GRUPPENRING
16	12215	GUARNIZIONE GOMMA S.COPPA 72X56X8.5 MAGG.	LARGER SIZED FILTER SUPPORT RUBBER	JOINT CAOUTCHOUC SOUCOUBE 72X56X8.5	FILTERHALTER-GUMMIDICHTUNG 72X56X8 GROSS
16	12217	GUARNIZIONE GOMMA S.COPPA 72X56X8 NORMALE	STANDARD SIZE FILTER SUPPORT RUBBER	JOINT CAOUTCHOUC SOUCOUBE 72X56X8 N	FILTERHALTER-GUMMIDICHTUNG 72X56X8 NORMA
17	25627	PORTADOCCHETTA GRUPPO EROGAZIONE	WATER SPOUT UNIT SUPPORT	PORTE-DOUCHETTE GROUPE DISTRIBUTION	DUSCHTRÄGER VERSORGUNGSEINHEIT
18	27100	DOCCHETTA GRUPPO ER 51.9	GROUP SHOWER PLATE 51.9	DOUCHETTE GROUPE ER 51.9	DUSCHE VERTEILEREINHEIT 51.9
19	23510	VITE TPS INOX 5X14 TAGLIO CACC.	5X14 STAINLESS STEEL FLATHEAD SCREW	VIS TPS INOX 5X14 DE TOURNEVIS	SCHRAUBE TPS ROSTFREI5X14 SCHRAUBEN
20	52000168	TBS.D-12 L.92 1-4GR RACCORDO SCARICO ELE	TUBE D-12 L.92 1-4GR	TUYAU D-12 L.92 1-4GR	ROHR D-12 L.92 1-4GR
21	56082100	GRUPPO SC.PASS.CMA NEUTRO	UNIT DISTRIBUTION GROUP	ENSEMBLE GROUPE	SATZ-ABGABEGRUPPE

**ELCK**

**INDICE - INDEX - SOMMAIRE - VERZEICHNIS**

**EPCK-01**

Impianto elettrico CK-CKE CKX-CKXE - Electrical system CK-CKE CKX-CKXE  
Circuit électrique CK-CKE CKX-CKXE - Strom anlage CK-CKE CKX-CKXE

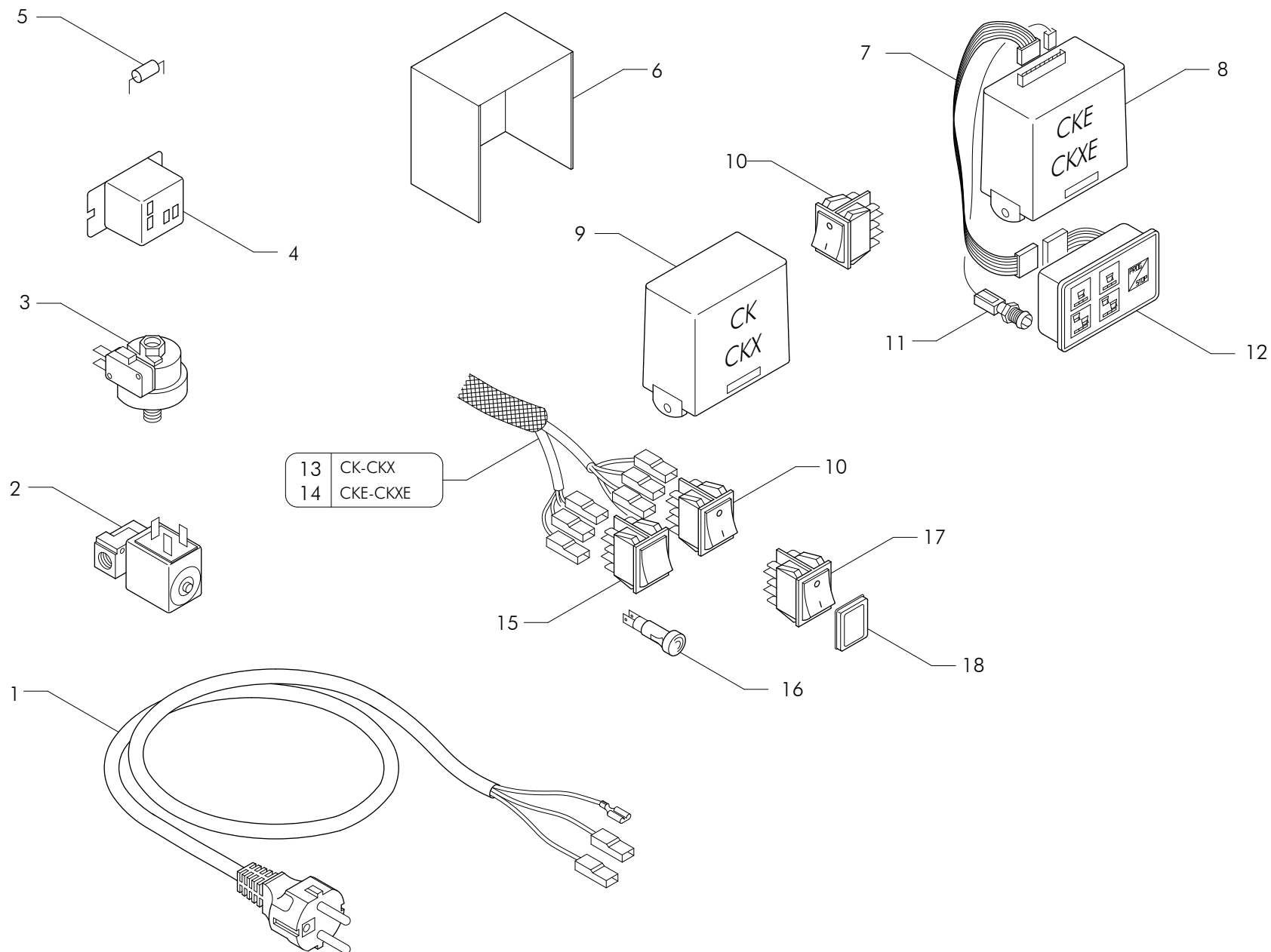
rev.

**02**

05/2009

Impianto elettrico  
Electrical system  
Circuit électrique  
Strom-anlage

**CK-CKE  
CKX-CKXE**



Pos	Cod.	Denominazione - IT -	Denomination - GB -	Denomination - FR -	Denomination - DE -
1	22030	CAVO H 0.5VV-F 3X1.5+SPINA258 L2500	CABLE H 0.5VV-F 3X1.5 + PLUG 258	CABLE H 0.5VV-F 3X1.5 + FICHE 258	KABEL H 0.5VV-F 3X1.5 + STECKER 258
1	22031	CAVO SJTO 14AWGX3C 105°+SPINA USA L2500	CABLE 14AWGX3C +PLUG USA L2500	CABLE 14AWGX3C +FICHE USA L2500	KABEL 14AWGX3C +STECKER USA
2	18162002	ELETTROVALVOLA 230V AEA VDE	SOL.VALVE WATER REFILL 230V PARKER	ELECTROVANNE REA 230V PARKER	ELEKTROVENTIL AWZ 230V PARKER
2	18195	ELETTROVALVOLA 120V VE140.2IR VDE/UL	SOL.VALVE 120V PARKER VE140.2IR	ELECTROVANNE 120V PARKER VE140.2IR	MAGNETVENTIL 120V PARKER VE140.2IR
3	20155	PRESSOSTATO XP79B921.010 T.1BAR 1/8GAS	PRESSURE SWITCH 1 BAR 1/8 GAS	PRESSOSTAT P79B921.010 1BAR 1/8 GAZ	DRUCKMESSER XP79B921.010 T.1BAR 1/8
4	18460001	RELAIS RESISTENZA 230V AZ2280-1C	RELAY HEAT.ELEMENT 230V	RELAIS RES. 230V AZ2280 - 1C	RELAIS HEIZKORPER 230V
4	18460002	RELAIS RESISTENZA 120V AZ2280-1C	RELAY HEAT.ELEMENT 120V	RELAIS RES.120V AZ2280 - 1C	RELAIS HEIZKORPER 120V
5	19080001	DIODO FR 306 3A 800V (DIX 02)	DIODE FR 306 3A 800V	DIODE FR 306 3A 800V	DIODE FR 306 3A 800V
6	77710001	SCATOLA CENTRALINA	GEARCASE BOX	BOITE POUR CENTRALE	GAHAUSE FUR STEUERUNG
7	22608	CAVO PULSANTIERA 2C F. CM90 892909	TOUCH PAD CABLE 2C F.CM80 891857	CABLE CLAVIER A TOUCHES 2C F.CM80	KABEL DER DRUCKKNOPFTAFEL 2CF CM80
8	18090067	CENTRALINA 953708G01 120V	GEARCASE 120V	CENTRALE 120V	STEUERUNG 120V
8	18090068	CENTRALINA 953707G01 230V	GEARCASE 230V	CENTRALE 230V	STEUERUNG 230V
9	18043	CENTRALINA MFC 2S 110V	GEARCASE MFC 2S 110V	CENTRALE MFC 2S 110V	STEUERUNG MFC 2S 110V
9	18045	CENTRALINA MFC 2S 220/240V	GEARCASE MFC 2S 220/240V	CENTRALE MFC 2S 220/240V	STEUERUNG MFC 2S 220/240V
10	18135	DEVIATORE BIP.ROSSO B41LC19210000	RED BIPOLAR SWITCH B41LC19210000	COMMUTATEUR BIP.ROUGE B41LC19210000	UMSCHALTER 2P. ROT B41LC19210000
11	22623	CAVO LED COMPACT SAE 60CM	LED CABLE ELECTRONIC MODEL 60CM	CAVET LED 60CM	KABEL LED COMPACT SAE 60CM
12	18371008	PULSANTIERA 5T	TOUCH PAD 5BUTTONS	CLAVIER A TOUCHES 5T	DRUCKKNOPFTAFEL 5T
13	22722001	CABLAGGIO VIB.	WIRING HARNESS	CABLAGE VIB.	VERDRAHTUNG VIB.
13	22722003	CABLAGGIO VIB.UL	WIRING HARNESS UL	CABLAGE VIB. UL	VERDRAHTUNG VIB. UL
13	22722004	CABLAGGIO M.I.	WIRING HARNESS M.I.	CABLAGE M.I.	VERDRAHTUNG M.I.
14	22722002	CABLAGGIO SAE VIB.UL	WIRING HARNESS ELECTRONIC MODEL	CABLAGE MOD. ELECTRONIQUE	VERDRAHTUNG COMPACT SAE VIB.
14	22722005	CABLAGGIO COMPACT SAE M.I. UL	WIRING HARNESS M.I. UL	CABLAGE M.I. UL	VERDRAHTUNG M.I. UL
15	18268	PULSANTE BIPOLARE ROSSO B417B19000000	RED BIPOLAR SWITCH B417B19000000	BOUTON BIP.ROUGE B417B19000000	ZWEIP.ROT DRUCKKNOPF B417B19000000
16	21004	LAMPADA SPIA UL/CSA 110V	WARNING LIGHT UL/CSA 110V	LAMPE TEMOIN UL/CSA 110V	KONTROLLAMPE UL/CSA 110V
16	21030	LAMPADA SPIA UL/CSA 250V 3322260179	WARNING LIGHT 250V *UL/CSA*	LAMPE TEMOIN 250V *UL/CSA*	KONTROLLAMPE 250V *UL/CSA*
17	18260	INTERRUTTORE BIPOLARE LUMINOSO ROSSO	SWITCH LUMINOUS RED BIPOLAR	INTERRUPTEUR BIP. LUMINEUX ROUGE	ZWEIPOLIGER ROTER LEUCHTSCHALTER B418C1
18	19049	COPERTURA INTERRUTTORE	SWITCH COVER	PROTECTION INTERRUPTEUR	SCHALTER ABD.



# IDCK

## INDICE - INDEX - SOMMAIRE - VERZEICHNIS

rev.

**IDCK-01**

Imp.idraulico CK-CKX - Hydraulic circuit CK-CKX  
Circuit hydraulique CK-CKX - Wasser anlage CK-CKX

**00**      **01**  
05/2002      11/2004

**IDCK-02**

Imp.idraulico CKE-CKXE - Hydraulic circuit CKE-CKXE  
Circuit hydraulique CKE-CKXE - Wasser anlage CKE-CKXE

**00**      **01**  
05/2002      11/2004

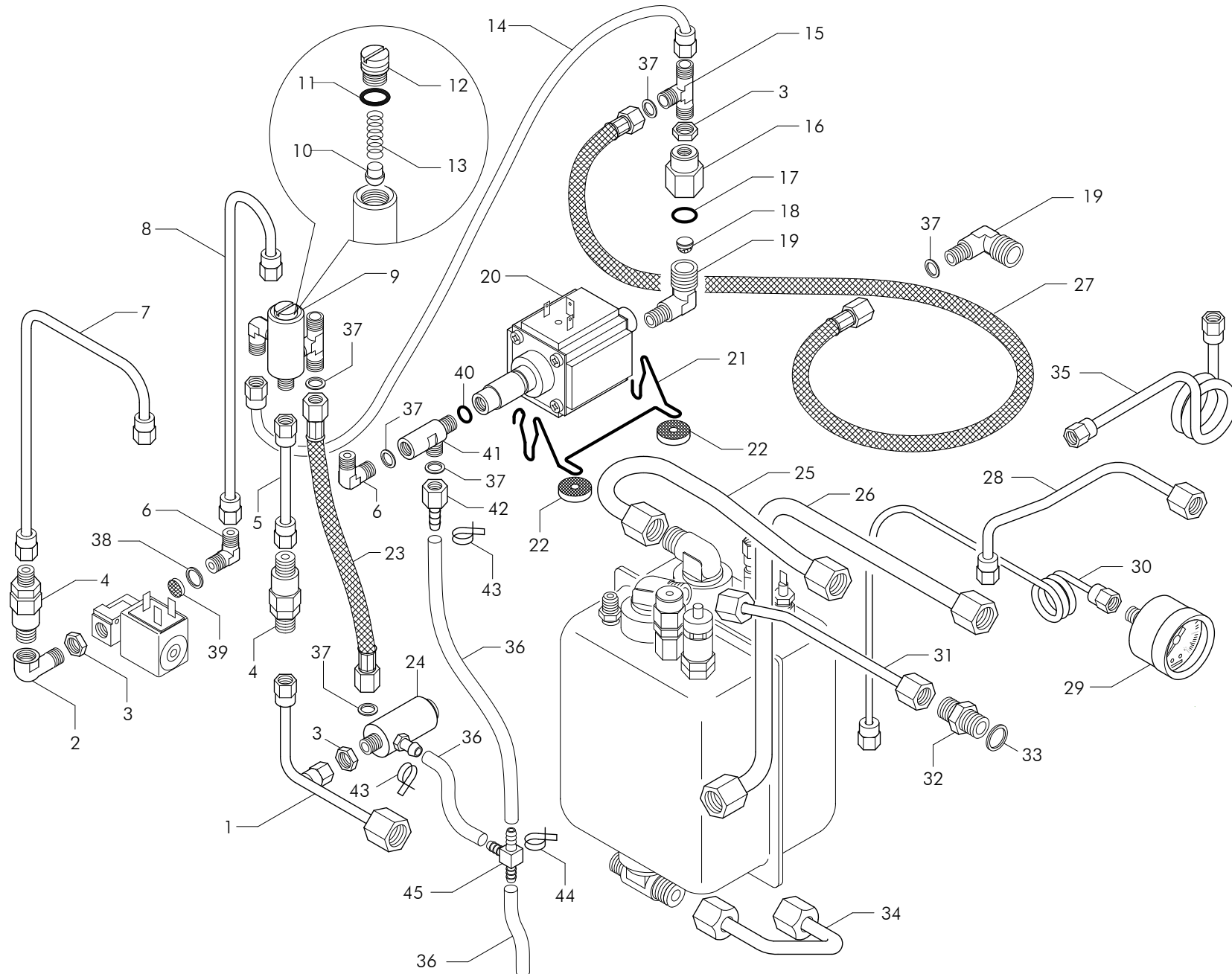
**IDCK-03**

Contentitore acqua - Water tray  
Cuve eau - Wasserbehälter

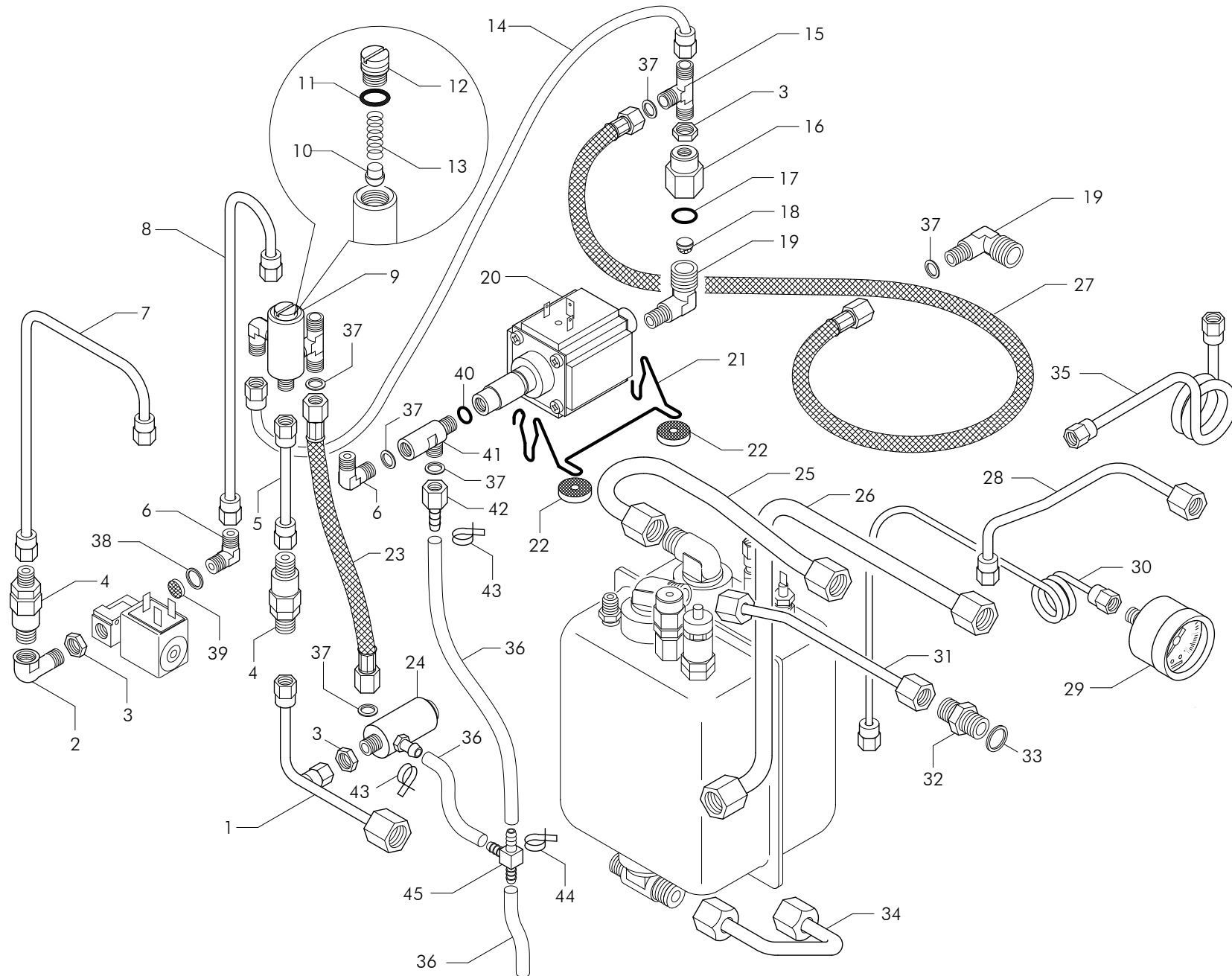
**00**  
05/2002

Impianto idraulico  
Hydraulic circuit  
Circuit hydraulique  
Wasser-anlage

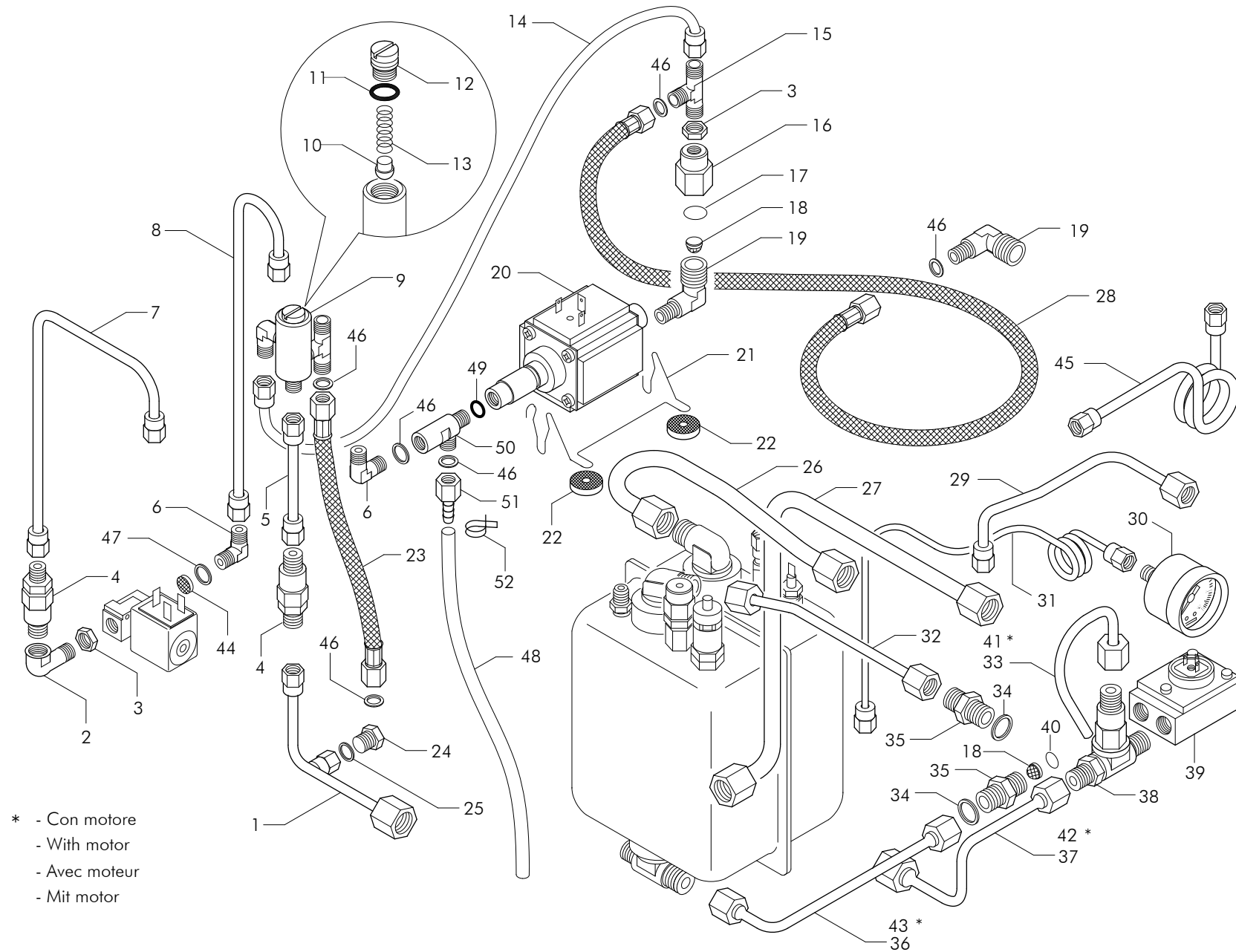
**CK-CKE**  
**CKX-CKXE**



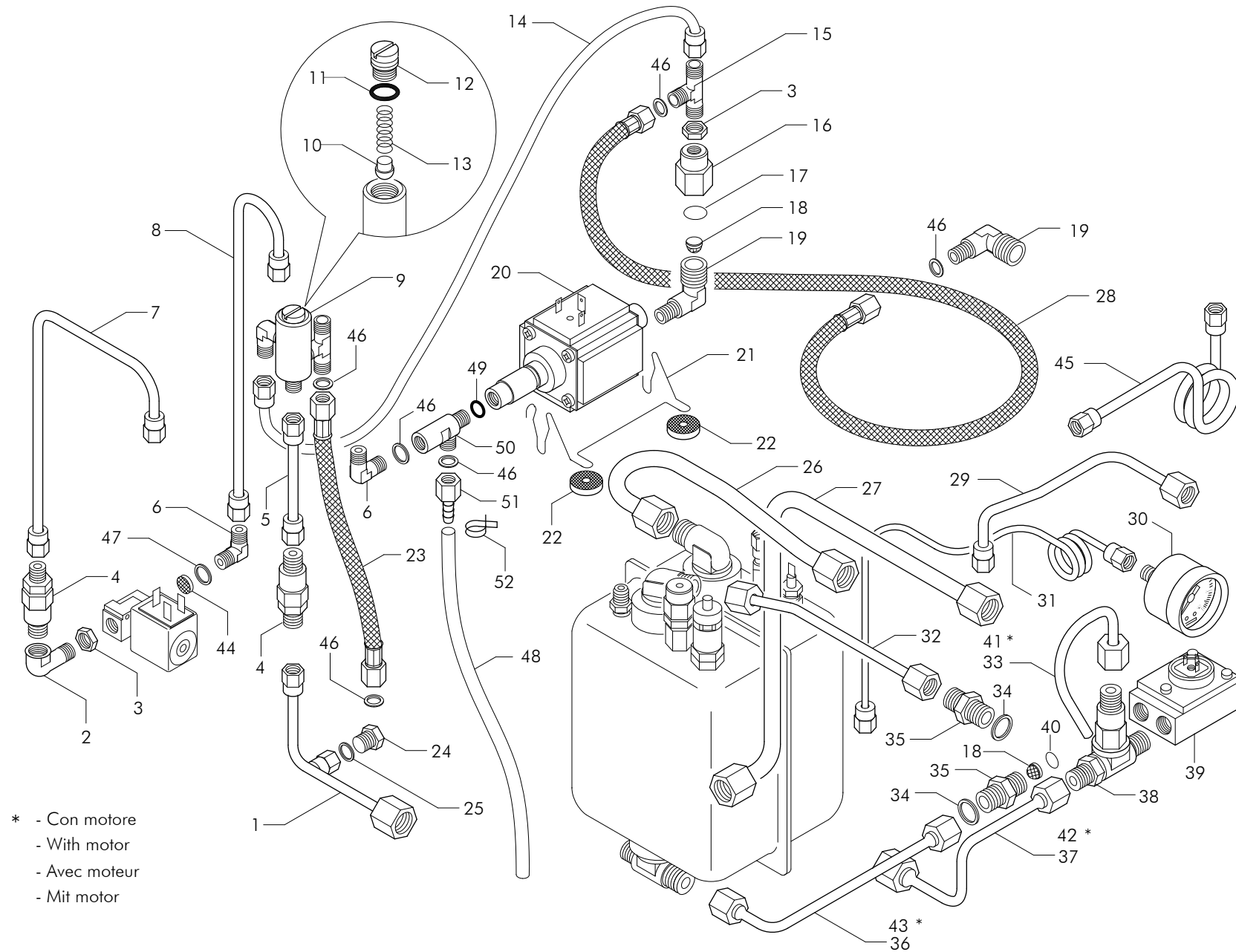
Pos	Cod.	Denominazione - IT -	Denomination - GB -	Denomination - FR -	Denomination - DE -
1	52902004	TBS.D-6 L.130 WE+COMPACT CO 21 NI	TUBE D-6 L 130 NI	TUYAU D-6 L.130	ROHR D-6 L.130
2	4523212	RACC.OTT.GOM.1/8FX1/8M COMPACT NI	BRASS CONNECTOR 1/8FX1/8M NI	RACCORD LAITON 1/8FX1/8M NI	MESSING 1/8FX1/8M NI
3	25395	DADO 1/8 MANOMETRO	1/8 NUT GAUGE	ECROU 1/8 MANOMETRE	MUTTER 1/8 MANOMETER
4	20358	VALVOLA NON RITORNO 1/8-1/8 MASCHIO	NON-RETURN VALVE 1/8 - 1/8 MALE	CLAPET ANTI-RETOUR 1/8 - 1/8 MALE	RUCKSCHLAGVENTIL 1/8-1/8
5	52002029	TUB.D-6 L.70 C031V.N.R. > VALV.ESP.	PIPE D-6 L.70	TUYAU D.6 L.70	KANN. D-6 L.70 COMPACT CO 31
6	4523207	RACC.OTT.GOM.D4 1/8X1/8 CON NI	ELBOW BRASS CONNECTOR D4 1/8X1/8	RACCORD COUDE LAITON D4 1/8X1/8	MESSING FITTING D4 1/8X1/8
7	52002027	TUB.D-6 L.295 C029EV.AEA > CALDAIA	PIPE D-6 L.295	TUYAU D.6 L.295	KANN. D-6 L.295 COMPACT CO 29
8	52002042	TUB.D-6 L.280 COMPACT C038VALV.ESP.	PIPE D-6 L.280	TUYAU D.6 L.280	KANN. D-6 L.280 COMPACT CO 38
9	4556210	VALVOLA ESPANSIONE POMPA COMPACT NI	EXPANSION VALVE NI	CLAPET EXPANSION NI	EXPANSIONSVENTIL NI
10	12600	FUNGHETTO GOMMA VALVOLA	VALVE RUBBER HEAD	TETE GOMME SOUPEPE	GUMMIVENTILKNOPF
11	12320	GUARNIZIONE OR 112 DI9.93X2.62 NBR	O RING 112 DI9.93X2.62 NBR SH 75	JOINT OR 112 DI9.93X2.62 NBR SH 75	OR DICHTUNG 112 DI9.93X2.62 NBR 75
12	4525786	TAPPO VALV.ESPANS.POMPA COMPACT NI	EXPANSION VALVE TAP NI	BOUCHON CLAPET EXPANSION NI	EXPANSIONSVENTIL STOPSEL NI
13	10470	MOLLA VALVOLA ESPANSIONE	EXPANSION VALVE SPRING	RESSORT CLAPET EXPANSION	EXPANSIONSVENTILFEDER
14	52002861	TUB.D-6 L.330 S.NOVA TEFLON WSN/6USC.	TUBE D-6 L.370 TEFLON WSN/6	TUBE D-G L.370 S. NOVA TEFLON	ROHR D-G L. 370 S.NOVA TEFLON WSN/G
15	4523211	RACCORDO OTT."T" 1/8X1/8X1/8 30006 NI	"T" CONNECTOR 1/8X1/8X1/8 NI	RACCORD LAITON "T" 1/8X1/8X1/8 NI	MESSING FITTING "T" 1/8X1/8X1/8 NI
16	4525744	RIDUZIONE 1/8F X 3/8F V.N.R. NI	REDUCTION 1/8FX3/8 NI ETL	REDUCTION 1/8X3/8F NI ETL	REDUKTION 1/8X3/8F NI ETL
17	12312	GUARNIZIONE OR FILTRO AEA 10X2	O RING FOR WATER REFILL FILTER 10X2	JOINT OR FILTRE AUT.REM.EAU 10X2	OR DICHTUNG FUR WASSERFULLUNGFILTER
18	10254	FILTRO ACCIAIO 160-200 MESH	STEEL FILTER 160-200 MESH	FILTRE EN ACIER 160-200 MESH	STAHLFILTER 160-200 MESH
19	4523206	RACC."L" D-10 3/8X1/8CON F3 NI	CONNECTOR "L" D-10 1/8X1/8CON F3 NI	RACCORD D-10 178X1/8CON F3 NI	MESSING D-10 1/8X1/8 F3 NI
20	26304	POMPA FLUID VIB.220/240V 1106PAI1M1N	FLUIDOTEC VIBRATION PUMP 220/240V	POMPE VIBRATION FLUIDOTEC 220/240V	VIBRATIONSPUMPE FLUIDOTEC 220/240V
20	26310	POMPA FLUID.VIB.110V 1106PAIFM1N	FLUIDOTEC VIBRATION PUMP 110V	POMPE VIBRATION FLUIDOTEC 110V	VIBRATIONSPUMPE FLUIDOTEC 110V
21	26306	SUPPORTO FISSO POMPA VIBRAZIONE	FIXING BEARING VIBRATION PUMP	SUPPORT POMPE VIBRATION	HALTER DER VIBRATIONSPUMPE
22	15313	PIEDINI NEOPRENE 20X4.5 ART.15151	NEOPRENE LEG 20X4.5	PIED NEOPRENE 20X4.5	NEOPRENEFUSSE 20X4.5
23	30400	TUBOFLEX 1/8FF P.GOMMA PIA. L37 NI	TUBOFLEX 1/8FF RUBBER-HOLDER L37	TUBOFLEX 1/8FF PORTE-GOMME L37	TUBOFLEX 1/8FF GUMMI-HALTER L37
24	4556200	VALVOLA ESPANSIONE COMPACT NI	EXPANSION VALVE NI	CLAPET EXPANSION NI	EXPANSIONSVENTIL NI
25	52902026	TBS.D-10 L.235 COMPACT'96 CO 28 NI	TUBE D-10 L.235 28 NI	TUYAU D-10 L.235 28 NI	ROHR D-10 L.235 28 NI
26	52902025	TBS.D-10 L.410 COMPACT'96 CO 27 NI	TUBE D-10 L.410 27 NI	TUYAU D-10 L.410 27 NI	ROHR D-10 L.410 27 NI
27	30406	TUBOFLEX 1/8FF P.GOMMA PIA. L100 NI	TUBOFLEX 1/8FF RUBBER-HOLDER L100	TUBOFLEX 1/8FF PORTE-GOMME L100	TUBOFLEX 1/8FFGUMMI-HALTER L100
28	52902049	TBS.D-6 L.210 CO 40 NI RICAVATO DA	TUBE D-6 L.210 40 NI	TUYAU D-6 L.210 40 NI	ROHR D-6 L.210 40 NI
29	21105	MANOMETRO 2.5 BAR 1/8 D 44 TUV	PRESSURE GAUGE 2.5 BAR 1/8 D44 TUV	MANOMETRE 2.5 BAR 1/8 D44 TUV	MANOMETER 2.5 BAR 1/8 D44 TUV
30	52002043	TUB.D-4 L.570 C039CALDAIA > MANOMETRO	PIPE D-4 L.570	TUYAU D.4 L.570	KANN. D-4 L.570 COMPACT CO 39
31	52902031	TBS.D-6 L.90 COMPACT'96 CO 33 NI	TUBE D-6 L.90 33 NI	TUYAU D-6 L.90 33 NI	ROHR D-6 L.90 33 NI
32	4525686	RACCORDO 1/4X1/4 FLANGIA NI	CONNECTOR 1/4 X 1/4 FLANGE NI ETL	RACCORD 1/4 X 1/4 BRIDE NI ETL	FITTING 1/4 X 1/4 FLANSCH NI ETL
33	12153	GUARNIZIONE CU 1/4 17X13.3X1.5	1/4 17X13.3X1.5 COPPER SEAL	JOINT CUIVRE 1/4 17X13.3X1.5	KUPFERDICHTUNG 1/4 17X13.3X1.5
34	52902030	TBS.D-6 L.125 COMPACT '96 CO 32	TUBE D-6 L.125 32 NI	TUYAU D-6 L.125 32 NI	ROHR D-6 L.125 32 NI
35	52002050	TUB.D-6 L.585 CO 41 RACC."T" 1/8	PIPE D-4 L.700	TUYAU D-4 L.700	KANN. D-4 L.700



Pos	Cod.	Denominazione - IT -	Denomination - GB -	Denomination - FR -	Denomination - DE -
36	15476	TUBO SILICONE 5X8 KGXMT 0.044	5X8 SILICONE PIPE	TUYAU SILICONE 5X8 KGXMT 0.04	SILIKONROHR 5X8 KGXMT 0.044
37	12012	GUARNIZIONE TEFLON 8.5X4X2	GASKET TEFLON 8.5X4X2	JOINT TEFLON 8.5X4X2	DICHTUNG TEFLON 8.5X4X2
38	12155	GUARNIZIONE CU 8.5X5X1	COPPER GASKET 8.5X5X1	JOINT CU 8.5X5X1	CU DICHTUNG 8.5X5X1
39	10251001	FILTRO IN ACCIAIO D-8 SP.0,3	STEEL FILTER D-8 - 0.3 THICK	FILTRE EN ACIER D-8 EP.0,3	STAHLFILTER D-8 SP.0,3
40	12329	GUARNIZIONE OR 2031 VITON 7.66XW1.78	O RING 2031 VITON 7.66XW1.78	JOINT OR 2031 VITON 7.66X1.78	OR DICHTUNG 2031 VITON 7.66XW1.78
41	20366	VALVOLA AUTO INNESCO S/PROF	SELF-PRIMER BRASS VALVE	VANNE SELF	MESSING ANHEIZENVENTIL
42	23065	DADO + PORTAGOMMA 1/8	NUT + 1/8 HOSE CONNECTION	ECROU + PORTE-CAOUTCHOUC 1/8	MUTTER + GUMMIHALTER 1/8
43	15056001	FASCETTA BIFILARE A MOLLA D.8,8-9,3	CLAMP D.8,8-9,3	COLLIER D.8,8-9,3	SHELLE D.8,8-9,3
44	15056000	FASCETTA BIFILARE A MOLLA D.7,8-8,3	CLAMP D.7,8-8,3	COLLIER D.7,8-8,3	SHELLE D.7,8-8,3
45	15422011	RACCORDO "T" POLIPROPILENE D-5 NERO	"Y" POLYPROPYLENE FITTING	RACCORD "Y" POLYPROPYLENE	ANSCHLUSS "Y" POLYPROPYLENE

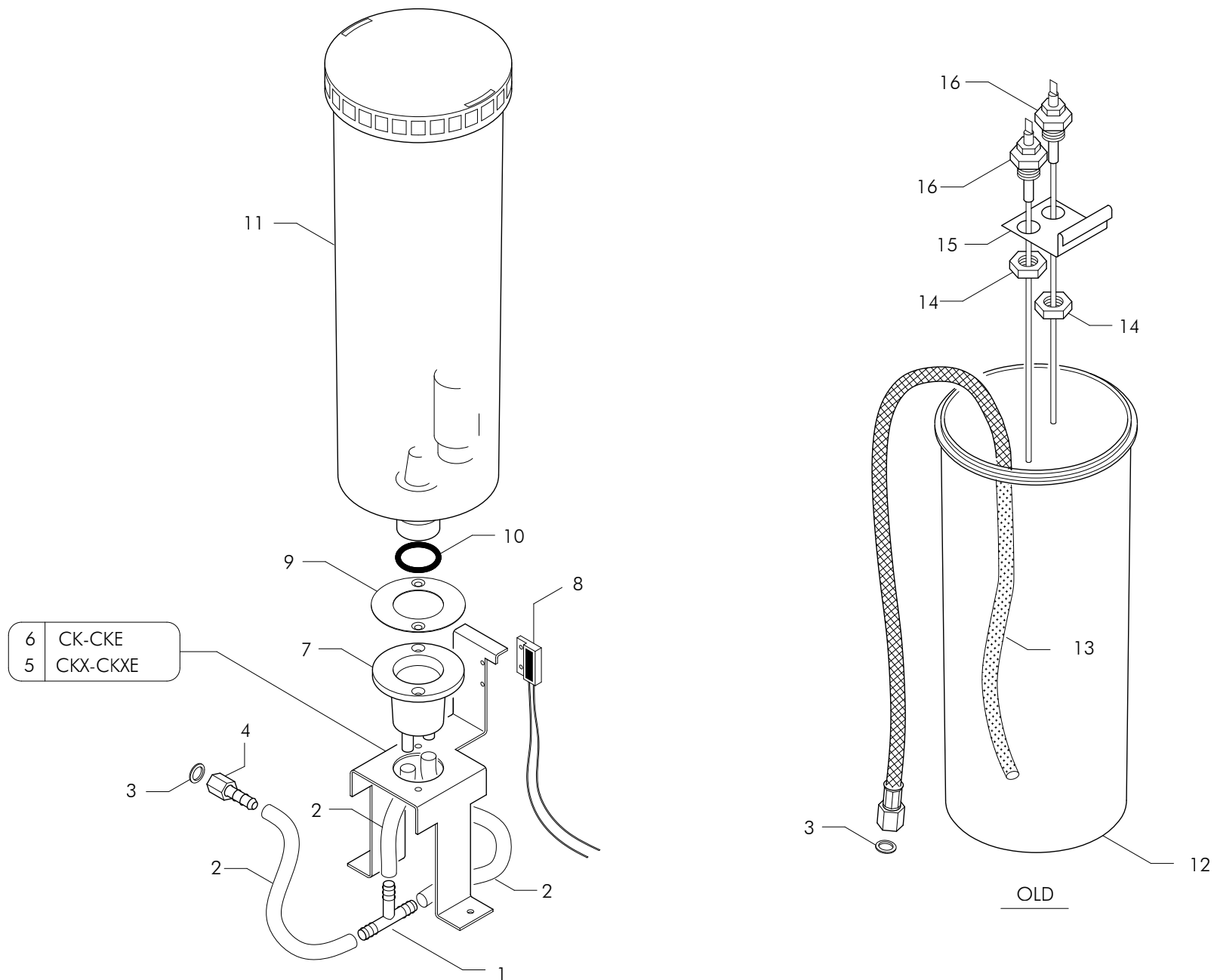


Pos	Cod.	Denominazione - IT -	Denomination - GB -	Denomination - FR -	Denomination - DE -
1	52902004	TBS.D-6 L.130 WE+COMPACT CO 21 NI	TUBE D-6 L 130 NI	TUYAU D-6 L.130	ROHR D-6 L.130
2	4523212	RACC.OTT.GOM.1/8FX1/8M COMPACT NI	BRASS CONNECTOR 1/8FX1/8M NI	RACCORD LAITON 1/8FX1/8M NI	MESSING 1/8FX1/8M NI
3	25395	DADO 1/8 MANOMETRO	1/8 NUT GAUGE	ECROU 1/8 MANOMETRE	MUTTER 1/8 MANOMETER
4	20358	VALVOLA NON RITORNO 1/8-1/8 MASCHIO	NON-RETURN VALVE 1/8 - 1/8 MALE	CLAPET ANTI-RETOUR 1/8 - 1/8 MALE	RUCKSCHLAGVENTIL 1/8-1/8
5	52002029	TUB.D-6 L.70 C031V.N.R. > VALV.ESP.	PIPE D-6 L.70	TUYAU D.6 L.70	KANN. D-6 L.70 COMPACT CO 31
6	4523207	RACC.OTT.GOM.D4 1/8X1/8 CON NI	ELBOW BRASS CONNECTOR D4 1/8X1/8	RACCORD COUDE LAITON D4 1/8X1/8	MESSING FITTING D4 1/8X1/8
7	52002027	TUB.D-6 L.295 C029EV.AEA > CALDAIA	PIPE D-6 L.295	TUYAU D.6 L.295	KANN. D-6 L.295 COMPACT CO 29
8	52002042	TUB.D-6 L.280 COMPACT C038VALV.ESP.	PIPE D-6 L.280	TUYAU D.6 L.280	KANN. D-6 L.280 COMPACT CO 38
9	4556210	VALVOLA ESPANSIONE POMPA COMPACT NI	EXPANSION VALVE NI	CLAPET EXPANSION NI	EXPANSIONSVENTIL NI
10	12600	FUNGHETTO GOMMA VALVOLA	VALVE RUBBER HEAD	TETE GOMME SOUPAPE	GUMMIVENTILKNOPF
11	12320	GUARNIZIONE OR 112 DI9.93X2.62 NBR	O RING 112 DI9.93X2.62 NBR SH 75	JOINT OR 112 DI9.93X2.62 NBR SH 75	OR DICHTUNG 112 DI9.93X2.62 NBR SH 75
12	4525786	TAPPO VALV.ESPANS.POMPA COMPACT NI	EXPANSION VALVE TAP NI	BOUCHON CLAPET EXPANSION NI	EXPANSIONSVENTIL STOPSEL NI
13	10470	MOLLA VALVOLA ESPANSIONE	EXPANSION VALVE SPRING	RESSORT CLAPET EXPANSION	EXPANSIONSVENTILFEDER
14	52002861	TUB.D-6 L.330 S.NOVA TEFLON WSN/6USC.	TUBE D-6 L.370 TEFLON WSN/6	TUBE D-G L.370 S. NOVA TEFLON	ROHR D-G L. 370 S.NOVA TEFLON WSN/G
15	4523211	RACCORDO OTT."T" 1/8X1/8X1/8 30006 NI	"T" CONNECTOR 1/8X1/8X1/8 NI	RACCORD LAITON "T" 1/8X1/8X1/8 NI	MESSING FITTING "T" 1/8X1/8X1/8 NI
16	4525744	RIDUZIONE 1/8F X 3/8F V.N.R. NI	REDUCTION 1/8FX3/8 NI ETL	REDUCTION 1/8X3/8F NI ETL	REDUKTION 1/8X3/8F NI ETL
17	12312	GUARNIZIONE OR FILTRO AEA 10X2	O RING FOR WATER REFILL FILTER 10X2	JOINT OR FILTRE AUT.REM.EAU 10X2	OR DICHTUNG FUR WASSERFULLUNGFILTER
18	10254	FILTRO ACCIAIO 160-200 MESH	STEEL FILTER 160-200 MESH	FILTRE EN ACIER 160-200 MESH	STAHLFILTER 160-200 MESH
19	4523206	RACC."L" D-10 3/8X1/8CON F3 NI	CONNECTOR "L" D-10 1/8X1/8CON F3 NI	RACCORD D-10 178X1/8CON F3 NI	MESSING D-10 1/8X1/8 F3 NI
20	26304	POMPA FLUID VIB.220/240V 1106PAI1M1N	FLUIDOTEC VIBRATION PUMP 220/240V	POMPE VIBRATION FLUIDOTEC 220/240V	VIBRATIONS PumPE FLUIDOTEC 220/240V
20	26310	POMPA FLUID.VIB.110V 1106PAIFM1N	FLUIDOTEC VIBRATION PUMP 110V	POMPE VIBRATION FLUIDOTEC 110V	VIBRATIONS PumPE FLUIDOTEC 110V
21	26306	SUPPORTO FISSO POMPA VIBRAZIONE	FIXING BEARING VIBRATION PUMP	SUPPORT POMPE VIBRATION	HALTER DER VIBRATIONS PumPE
22	15313	PIEDINI NEOPRENE 20X4.5 ART.15151	NEOPRENE LEG 20X4.5	PIED NEOPRENE 20X4.5	NEOPRENEFUSSE 20X4.5
23	30400	TUBOFLEX 1/8FF P.GOMMA PIA. L37 NI	TUBOFLEX 1/8FF RUBBER-HOLDER L37	TUBOFLEX 1/8FF PORTE-GOMME L37	TUBOFLEX 1/8FF GUMMI-HALTER L37
24	4525787	TAPPO MASCHIO 1/8 NI	TAP 1/8 NI	BOUCHON 1/8 NI	STOPFEN 1/8 NI
25	12151	GUARNIZIONE CU DOSATORE 13X10.2X1.5	CU GASKET FOR SAE DOSER 13X10.2X1.5	JOINT CU DE DOSEUR SAE 13X10.2X1.5	CU DICHTUNG FÜR SAE DOSIERANLAGE
26	52902026	TBS.D-10 L.235 COMPACT'96 CO 28 NI	TUBE D-10 L.235 28 NI	TUYAU D-10 L.235 28 NI	ROHR D-10 L.235 28 NI
27	52902025	TBS.D-10 L.410 COMPACT'96 CO 27 NI	TUBE D-10 L.410 27 NI	TUYAU D-10 L.410 27 NI	ROHR D-10 L.410 27 NI
28	30406	TUBOFLEX 1/8FF P.GOMMA PIA. L100 NI	TUBOFLEX 1/8FF RUBBER-HOLDER L100	TUBOFLEX 1/8FF PORTE-GOMME L100	TUBOFLEX 1/8FFGUMMI-HALTER L100
29	52902049	TBS.D-6 L.210 CO 40 NI RICAVATO	TUBE D-6 L.210 40 NI	TUYAU D-6 L.210 40 NI	ROHR D-6 L.210 40 NI
30	21105	MANOMETRO 2.5 BAR 1/8 D 44 TUV	PRESSURE GAUGE 2.5 BAR 1/8 D44 TUV	MANOMETRE 2.5 BAR 1/8 D44 TUV	MANOMETER 2.5 BAR 1/8 D44 TUV
31	52002043	TUB.D-4 L.570 C039CALDAIA > MANOMETRO	PIPE D-4 L.570	TUYAU D.4 L.570	KANN. D-4 L.570 COMPACT CO 39
32	52902031	TBS.D-6 L.90 COMPACT'96 CO 33 NI	TUBE D-6 L.90 33 NI	TUYAU D-6 L.90 33 NI	ROHR D-6 L.90 33 NI
33	52002041	TUB.D-6 L.140 C037VALVOLA SCNR	PIPE D-6 L.140	TUYAU D.6 L.140	KANN. D-6 L.140 COMPACT CO 37
34	12153	GUARNIZIONE CU 1/4 17X13.3X1.5	1/4 17X13.3X1.5 COPPER SEAL	JOINT CUIVRE 1/4 17X13.3X1.5	KUPFERDICHTUNG 1/4 17X13.3X1.5
35	4525686	RACCORDO 1/4X1/4 FLANGIA NI	CONNECTOR 1/4 X 1/4 FLANGE NI ETL	RACCORD 1/4 X 1/4 BRIDE NI ETL	FITTING 1/4 X 1/4 FLANSCH NI ETL

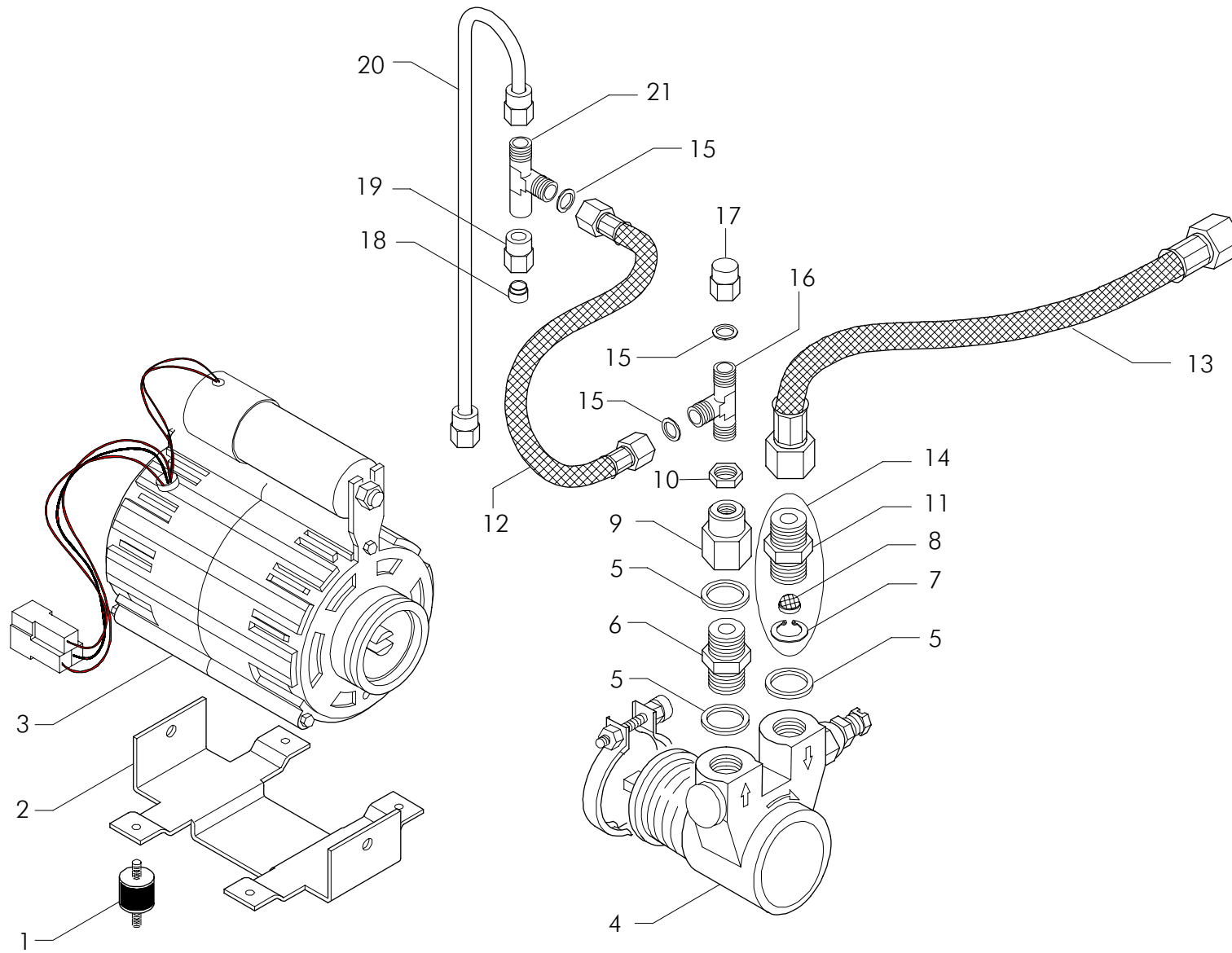




Pos	Cod.	Denominazione - IT -	Denomination - GB -	Denomination - FR -	Denomination - DE -
36	52902039	TBS.D-6 L.155 COMPACT'96 CO 35 NI	TUBE D-6 L.155 35 NI	TUYAU D-6 L.155 35 NI	ROHR D-6 L.155 35 NI
37	52902040	TBS.D-6 L.135 COMPACT'96 CO 36 NI	TUBE D-6 L.135 36 NI	TUYAU D-6 L.135 36 NI	ROHR D-6 L.135 36 NI
38	4556153	VALVOLA DOSATORE S.C.N.R. NI	S.C.N.R. DOSER VALVE NI ETL	VANNE DOSEUR S.C.N.R. NI ETL	DOSIERERVENTIL S.C.N.R. NI ETL
39	18126	DOSATORE FLOWMETER FH 12 909602	FH 12 907613 FLOWMETER DOSER	DOSEUR FLOWMETER FH 12 907613	DOSIERER FLOWMETER FH 12 907613
40	12329	GUARNIZIONE OR 2031 VITON 7.66XW1.78	O RING 2031 VITON 7.66XW1.78	JOINT OR 2031 VITON 7.66X1.78	OR DICHTUNG 2031 VITON 7.66XW1.78
41	52002054	TUB.D-6 L.130 CO 44 S.C.N.R.	TUBE D-6 L.130 CO 44	TUYAU D-6 L.130 CO 44	ROHR D-6 L.130 CO 44
42	52002057	TBS.D-6 L.325 CO 47 S.C.N.R.	TUBE D-6 L.325 CO 47	TUYAU D-6 L.325 CO 47	ROHR D-6 L.325 CO 47
43	52002056	TBS.D-6 L.285 CO 46 SCAMBIATORE H20	TUBE D-6 L.285 CO 46	TUYAU D-6 L.285 CO 46	ROHR D-6 L.285 CO 46
44	10251001	FILTRO IN ACCIAIO D-8 SP.0,3	STEEL FILTER D-8 - 0.3 THICK	FILTRE EN ACIER D-8 EP.0,3	STAHLFILTER D-8 SP.0,3
45	52002050	TUB.D-6 L.585 CO 41 RACC."T" 1/8	PIPE D-4 L.700	TUYAU D-4 L.700	KANN. D-4 L.700
46	12012	GUARNIZIONE TEFLON 8.5X4X2	GASKET TEFLON 8.5X4X2	JOINT TEFLON 8.5X4X2	DICHTUNG TEFLON 8.5X4X2
47	12155	GUARNIZIONE CU 8.5X5X1	COPPER GASKET 8.5X5X1	JOINT CU 8.5X5X1	CU DICHTUNG 8.5X5X1
48	15476	TUBO SILICONE 5X8 KGXMT 0.044	5X8 SILICONE PIPE	TUYAU SILICONE 5X8 KGXMT 0.04	SILIKONROHR 5X8 KGXMT 0.044
49	12329	GUARNIZIONE OR 2031 VITON 7.66XW1.78	O RING 2031 VITON 7.66XW1.78	JOINT OR 2031 VITON 7.66X1.78	OR DICHTUNG 2031 VITON 7.66XW1.78
50	20366	VALVOLA AUTO INNESCO S/PROF	SELF-PRIMER BRASS VALVE	VANNE SELF	MESSING ANHEIZENVENTIL
51	23065	DADO + PORTAGOMMA 1/8	NUT + 1/8 HOSE CONNECTION	ECROU + PORTE-CAOUTCHOUC 1/8	MUTTER + GUMMIHALTER 1/8
52	15056001	FASCETTA BIFILARE A MOLLA D.8,8-9,3	CLAMP D.8,8-9,3	COLLIER D.8,8-9,3	SHELLE D.8,8-9,3



Pos	Cod.	Denominazione - IT -	Denomination - GB -	Denomination - FR -	Denomination - DE -
1	15422004	RACCORDO "T" POLIPROPILENE D-8 ART.461	POLYPROPYLENE T CONNECTOR D-8	RACCORD T D-8 POLYPROPYLENE	T-ANSCHLUSS D-8 POLYPROPYLEN
2	15476	TUBO SILICONE 5X8 KGXMT 0.044	5X8 SILICONE PIPE	TUYAU SILICONE 5X8 KGXMT 0.04	SILIKONROHR 5X8 KGXMT 0.044
3	12012	GUARNIZIONE TEFLON 8.5X4X2	GASKET TEFLON 8.5X4X2	JOINT TEFLON 8.5X4X2	DICHTUNG TEFLON 8.5X4X2
4	23065	DADO + PORTAGOMMA 1/8	NUT + 1/8 HOSE CONNECTION	ECROU + PORTE-CAOUTCHOU 1/8	MUTTER + GUMMIHALTER 1/8
5	78077000	SUPPORTO CONTENITORE H2O	WATER TRAY SUPPORT	SUPPORT CUVE EAU	WASSERBEHALTER LAGER
6	78077002	SUPPORTO CONTENITORE H2O ESTRAIBILE	WATER TRAY SUPPORT	SUPPORT CUVE EAU	WASSERBEHALTER LAGER
7	15514102	ATTACCO CONTENITORE ACQUA	WATER TRAY CONNECTION	ATTELAGE CUVE EAU	WASSERBEHALTER ANSCHLUB
8	18255000	SENSORE MAGNETICO REED	REED SWITCH	CAPTEUR MAGNETIQUE	MAGNETFUHLER
9	77607025	RINFORZO ATTACCO CONTENITORE	REINFORCEMENT WATER TRAY CONNECTION	RENFORT ATTELAGE CUVE EAU	VERSTAEKUNG WASSERBEHALTER ANSCHLUB
10	12300021	GUARNIZIONE OR SERBATOIO ESTRAIBILE	GASKET O RING	JOINT OR	DICHTUNG OR
11	15514101	CONTENITORE ACQUA COMPLETO	WATER TANK CKX / CKXE	CUVE EAU COMPLET	WASSERBEHALTER
12	15020	CONTENITORE H2O COMPACT 1000152	COMPACT WATER TRAY 1000152	CUVE EAU COMPACT 1000152	COMPACT WASSERBEHALTER 1000152
13	15457	TUBO RETINATO BLU 1RACC.FF1/8 L=85	BLUE WIRED HOSE 1FIT. FF1/8 L=85	TUYAU GRILLE BLEU 1RAC. FF1/8 L=85	BLAUER RASTERROHR FF1/8 L=85
14	25396	DADO 1/4 SP.4	NUT 1/4 - 4 THICK	ECROU 1/4 SP.4	MUTTER 1/4
15	77582	SUPPORTO 3FORI SONDA COMPACT SAT	SUPPORT 3 HOLES COMPACT PROBE 70X40	SUPPORT 3 TROUS SONDE COMPACT 70X40	HALTER 3 LOCHER COMPACT SONDE 70X40
16	20252	SONDA LIVELLO COMPACT L255 908652	COMPACT WATER LEVEL PROBE L255	SONDE AUT.ENTREE D'EAU COMPACT L255	COMPACT SONDE A.W.F. L255



Motopompa - Motor pump  
Motopompe - Motor pump

## CK/CKE - CKX/CKXE

MOT-03

rev. 00  
05/2002

Pos	Cod.	Denominazione - IT -	Denomination - GB -	Denomination - FR -	Denomination - DE -
1	15105	GOMMA AMMORTIZZATORE MOTORE RAF.H2O	RUBBER FOR WATER COOLED MOTOR ZEC.	CAOUTCHOUC POUR MOTEUR REFROID.EAU	GUMMI X WASSERGEKÜHLTER MOTOR ZEC.
2	78174001	SUPPORTO MOTORE INC. RPM	MOTOR SUPPORT	SUPPORT MOTEUR	EINGEBAUTER MOTORHALTER
3	18303	MOTORE R.P.M. 230V 120W	MOTOR R.P.M. 230V 120W	MOTEUR R.P.M. 230V 120W	MOTOR R.P.M. 230V 120W
3	18304	MOTORE R.P.M. 110V 120W	MOTOR R.P.M. 110V 120W	MOTEUR R.P.M. 110V 120W	MOTOR R.P.M. 110V 120W
4	26303002	POMPA FLUID-O-TECH 50LT/H P0054	FLUID-O-TECH PUMP	POMPE FLUID-O-TECH 50 LT/H P005	PUMPE FLUID-O-TECH
5	12154	GUARNIZIONE CU 3/8 22X17X1.5	3/8 22X17X1.5 COPPER SEAL	JOINT CUIVRE 3/8 22X17X1.5	KUPFERDICHTUNG 3/8 22X17X1.5
6	25687	RACCORDO 3/8X3/8 GAS	3/8X3/8 GAS FITTING	RACCORD 3/8X3/8 GAZ	ANSCHLUSS 3/8X3/8 GAS
7	10005	ANELLO DI ARRESTO INOX DIN472 D11	DIN472 D11 STAINLESS STEEL STOP RING	ANNEAU DE BUTEE INOX DIN472 D11	DRAHTSPRENGRING ROSTFREI DIN472 D11
8	10254	FILTRO ACCIAIO 160-200 MESH	STEEL FILTER 160-200 MESH	FILTRE EN ACIER 160-200 MESH	STAHLFILTER 160-200 MESH
9	25744	RIDUZIONE 1/8FX3/8F V.N.R.	REDUCTION 1/8FX3/8F	REDUCTION 1/8FX3/8F	REDUKTION 1/8FX3/8F
10	25395	DADO 1/8 MANOMETRO	1/8 NUT GAUGE	ECROU 1/8 MANOMETRE	MUTTER 1/8 MANOMETER
11	25732	RACCORDO 3/8X3/8 + SEDE FILTRO	3/8X3/8 FITTING + FILTER HOUSING	RACCORD 3/8X3/8 + LOG. FILTRE	ANSCHLUSS 3/8X3/8 + FILTERSITZ
12	30405	TUBOFLEX 1/8FF P.GOMMA PIA. L19 NI	TUBOFLEX 1/8FF RUBBER-HOLDER L19	TUBOFLEX 1/8FF PORTE-TUYAU L19	TUBOFLEX 1/8FF GUMMI-HALTER L19
13	30408	TUBOFLEX 3/8FF P.GOMMA CON. L150 NI	3/8 FEMALE FLEX PIPE CONICAL HOSE F	TUYAU FLEX 3/8 FF PORTE-TUYAU	SCHLAUCH 3/8 AUFNAHMETÜR GUMMI KONI
14	56116	RACCORDO 3/8+3/8 MOTO Pompa ASSIEME	CONNECTOR 3/8+3/8 PUMP ASSEMBLY	RACCORD 3/8 + 3/8 ENS. MOTO Pompe	ANSCHLUSS 3/8 + 3/8 MOTORP. ZUSAMMEN
15	12012	GUARNIZIONE TEFLON 8.5X4X2	GASKET TEFLON 8.5X4X2	JOINT TEFLON 8.5X4X2	DICHTUNG TEFLON 8.5X4X2
16	23211	RACCORDO OTT."T" 1/8X1/8X1/8 30006	BRASS CONNECTOR 'T' 1/8X1/8X1/8	RACCORD LAITON "T" 1/8X1/8X1/8	MESSING FITTING "T" 1/8X1/8X1/8
17	25790	TAPPO 1/8 GAS FEMMINA	FEMALE CAP 1/8 GAS	BOUCHON FEMELLE 1/8 GAS	STOPFEN 1/8 GAS
18	25800	TERMINALE D6	TERMINAL D6	BORNE D6	ENDVERSCHLUSS D6
19	25701	RACC.MANOMETRO 1/8 FORO 6	MANOMETER CONNECTOR 1/8 HOLE 6	RACCORD MANOMETRE 1/8 TROU 6	MANOMETERFITTING 1/8 LOCH 6
20	52002053	TUB.D-6 L.200 CO 43 RACC."T" ORIENT.	TUBE D-6 L.200	TUYAU D-6 L.200	ROHR D-6 L.200
21	23195	RACCORDO OTT."T" ORIENT. S03600	BRASS FITTING 'T' S03600-A-6-6	RACCORD LAITON 'T' S03600-A-6-6	MESSING FITTING 'T' S03600-A-6-6