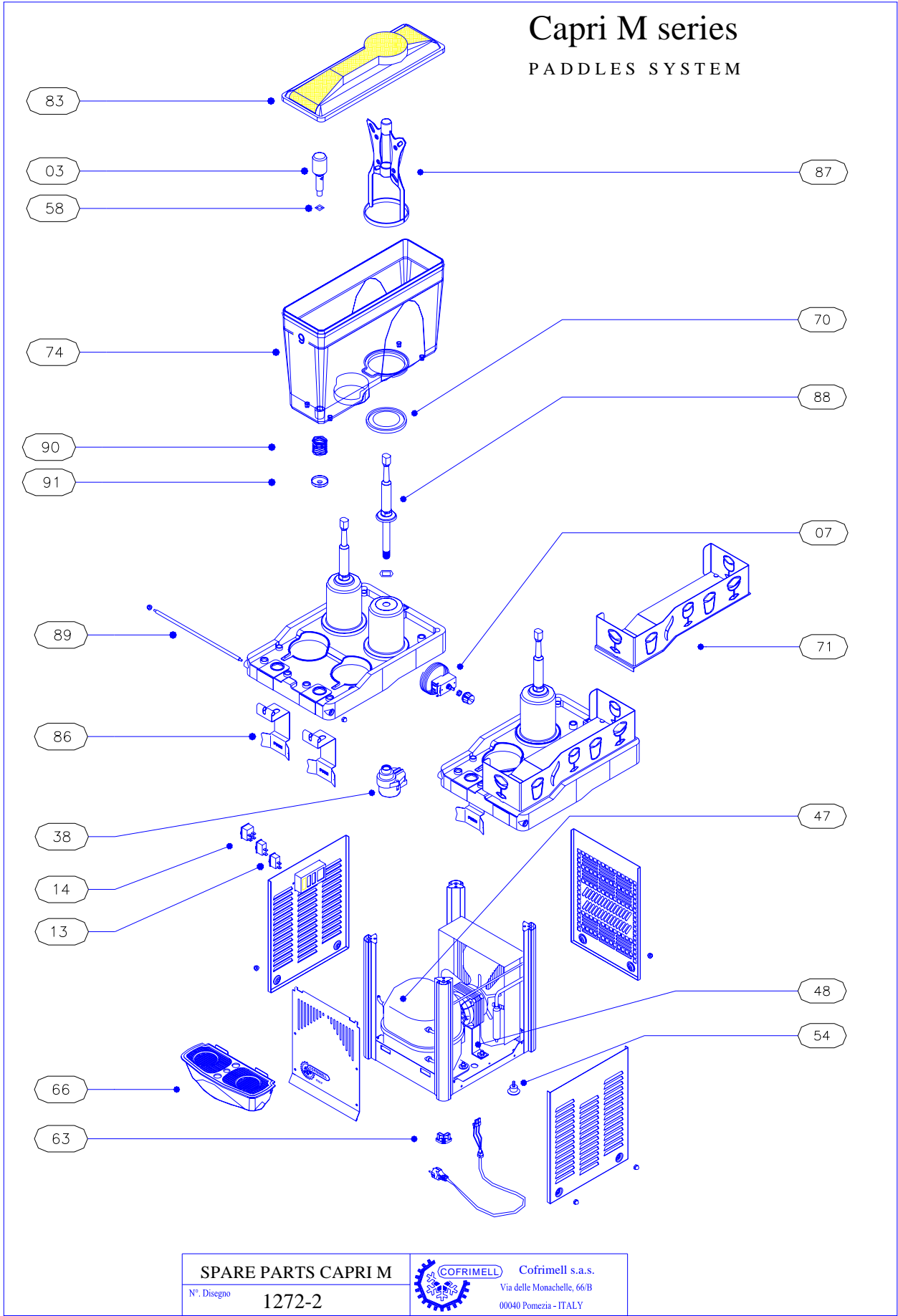



# Capri M series

## PADDLES SYSTEM



<b>SPARE PARTS CAPRI M</b> N°. Disegno <b>1272-2</b>	 <b>COFRIMELL</b> Cofrimell s.a.s. Via delle Monachelle, 66/B 00040 Pomezia - ITALY
--	--

$x^1$  = For model with 1 bowl  
 $x^2$  = For model with 2 bowl  
 $x^3$  = For model with 3 bowl  
 $x^4$  = For model with 4 bowl

**COFRIMELL Drink Dispenser Spare Partes PRICE LIST 2011-**

PLSP-2010  
 Rev. 03

Pos.	Cod.	RICAMBI Capri M	SPARE PARTS Capri M	REPUESTOS Capri M	RECHANGE Capri M	Capri M
3	<b>226</b>	Rubinetto inox con O-R	Stainless steel tap with O-R	Grifo en acero y O-R	Robinet en acier avec O-R	
7	<b>64,01</b>	Termostato (Liquid.1127)	Thermostat (Liquid.1127)	Termòstato (Liquid.1127)	Thermostat (Liquid.1127)	
13	<b>56</b>	Interruttore nero	Black switch	Interruptor negro	Interrupteur noir	
14	<b>57</b>	Interruttore rosso	Red switch	Interruptor rojo	Interrupteur rouge	
38	<b>296</b>	Motoriduttore 110V	Gearbox 110V	Motoreducente 110V	Motoreducteur 110V	
38	<b>295</b>	Motoriduttore 220V	Gearbox 220V	Motoreducente 220V	Motoreducteur 220V	
47	<b>85</b>	Compressore 24lt. 220V	Compressor 24lt.220V	Compressor 24lt.220V	Compresseur 24lt.220V	x <sup>12</sup>
47	<b>86</b>	Compressore 24lt. 110V	Compressor 24lt.110V	Compressor 24lt.110V	Compresseur 24lt.110V	x <sup>12</sup>
47	<b>820</b>	Compressore 30lt.220V	Compressor 30lt.220V	Compressor 30lt.220V	Compresseur 30lt.220V	x <sup>3</sup>
47	<b>821</b>	Compressore 30lt.110V	Compressor 30lt.110V	Compressor 30lt.110V	Compresseur 30lt.110V	x <sup>3</sup>
47	<b>67</b>	Compressore 36/40lt.220V	Compressor 36/40lt.220V	Compressor 36/40lt.220V	Compresseur 36/40lt.220V	x <sup>4</sup>
47	<b>81</b>	Compressore 36/40lt.110V	Compressor 36/40lt.110V	Compressor 36/40lt.110V	Compresseur 36/40lt.110V	x <sup>4</sup>
48	<b>404</b>	Motoreventilatore Comp. 220	Fan Motor Comp. 220	Ventilador Comp. 220	Ventilateur Comp. 220	x <sup>1</sup>
48	<b>405</b>	Motoreventilatore Comp. 110	Fan Motor Comp. 110	Ventilador Comp. 110	Ventilateur Comp. 110	x <sup>1</sup>
48	<b>72,01</b>	Motoreventilatore 10W 220 (h84)	Fan motor 10W 220 (h84)	Ventilador 10W 220 (h84)	Ventilateur 10W 220 (h84)	x <sup>234</sup>
48	<b>71,01</b>	Motoreventilatore 10W 110 (h84)	Fan motor 10W 110 (h84)	Ventilador 10W 110 (h84)	Ventilateur 10W 110 (h84)	x <sup>234</sup>
54	<b>150</b>	Piedino livellatore	Rubber leg	Patita nivelador	Petit pied	
58	<b>775</b>	Or-rubinetto Inox Capri	Or for stainless steel tap Capri	Or por grifo en acero Capri	Joint robinet en acier Capri	
63	<b>234,01</b>	Tappo Montante New	Corner plug New	Tapon Negro New	Bouchon noir New	
66	<b>667</b>	Vaschetta Completa	Drip Tray	Caion gotero	Tiror egouttoir	
70	<b>642</b>	Guarnizione Vasca Capri	Bowl Gasket Capri	Guarnicion contenidor Capri	Jointe cuve Capri	
71	<b>724</b>	Cestello portabicchieri completo	Glasse Tray compl.	Bandeja vasos compl.	Corbeille porte-verre compl.	x <sup>13</sup>
74	<b>644</b>	Vasca Capri (pc)	Bowl Capri (pc)	Contenidor Capri (pc)	Cuvè Capri (pc)	
83	<b>764</b>	Coperchio Singolo Capri (pc)	Single Lid Capri (pc)	Tapa individual Capri (pc)	Couvercle individuelle Capri (pc)	
86	<b>696</b>	Leva inox Capri	S/S Push Level Capri	Barra en acero Capri	Levier inox Capri	
87	<b>778</b>	Pala agitatore Capri	Mixer Paddle Capri	Mezcladore Capri	Agitateur Capri	
88	<b>761</b>	Tubo asta Capri compl.	Mixer Guiding Shaft compl.	Tubo Flujo Capri ompl.Contenidor	Tige Capri Compl.	
89	<b>659,01</b>	Asta leva Capri 1-2	Shaft for Push Lever Capri 1-2	Barra por Palanca Capri 1-2	Tige Levier Capri 1-2	x <sup>12</sup>
89	<b>659,02</b>	Asta leva Capri 3-4	Shaft for Push Lever Capri 3-4	Barra por Palanca Capri 3-4	Tige Levier Capri 3-4	x <sup>34</sup>
90	<b>830,01</b>	Molla per rubinetto	Spring for tap	Muella por grifo	Ressort pour robinet	
91	<b>852</b>	Ghiera	Metal ring	Abrazadera	Frette	

x<sup>1</sup> = For model with 1 bowl  
x<sup>2</sup> = For model with 2 bowl  
x<sup>3</sup> = For model with 3 bowl  
x<sup>4</sup> = For model with 4 bowl

**COFRIMELL Drink Dispenser Spare Partes PRICE LIST 2011-**

PLSP-2010

Rev. 03

Page 7 of 29