

INSTRUCTION MANUAL

ROLLING MACHINE



EMISSION: 2014

The manufacturer is not under any obligation to notify of any future modifications of the product.

All rights of this document are reserved and no alteration or re-productions can be made without permission of the manufacturer.

INTRODUCTION

This manual is specifically for the installation, use and maintenance of Rolling machines, so you are able to use the product in the best way.

It is important that the manual is kept in good condition and should stay with the machine at all times, including sale to another person, for security in the use of the machine.

The manual is divided in the following chapters:

CHAPTER 1:

General information.

CHAPTER 2:

Installation.

CHAPTER 3:

Functioning.

CHAPTER 4:

Usage.

CHAPTER 5:

Regulations.

CHAPTER 6:

Maintenance.

CHAPTER 7:

Demolition of the machine.

CHAPTER 8:

After sales service.

CHAPTER 1

GENERAL INFORMATION

1.1 WARRANTY

Guaranteed for one year from date of purchase. The date must be stamped on the guarantee on the day of purchase.

Parts of the machine found to be a production defect except electrical components or parts worn out, will be changed and serviced free by us in our company but only ex -works within this period.

Delivery expenses and costs of labor are excluded from the warranty.

The warranty will not be valid when the damage is due to: transportation, mistaken or insufficient maintenance, unskilled operators, damaging, repairs made by un-authorized personnel, non-observance of the instructions of the manual.

All reimbursements from the manufacturer are excluded for direct and indirect damages caused in the time the machine is inactive for the following reasons: breakdown, waiting to be repaired, or anyway the non-presence of the machine.

1.2 CHARACTERISTICS OF THE MACHINE

Rolling machines was made with the intention for food usage only to make dough for baking and for cakes, to help make easier the creation of disk shapes for : pizza, bread, buns, cakes etc. maintaining the essential characteristics of the mixture.

1.2.1.ROLLING MACHINES' MODELS 310 - 420 NEW e 310 - 420 TOUCH&GO NEW

The models 310-420 & 310-420 TG are composed of: a steel structure, by two groups of rollers, with relating guards, which are driven by belts, by an electric geared motor, controlled by a start switch fed through cable with mains voltage, by a sling, two slides and an optional, that is the foot pedal **start-stop** connected to the socket. The latter option is exclusive for the models 310-420, NOT touch & go.

1.2.2 ROLLING MACHINES' MODELS 420 – 500 RP

The models 420-500 RP are composed of: a metal structure, by two steel slides, two pairs of rollers with relative guards, which are driven by belts, by an electric geared motor, controlled by a start switch, powered through cable with mains voltage. supplemented by a foot control of start-stop connected to the socket.

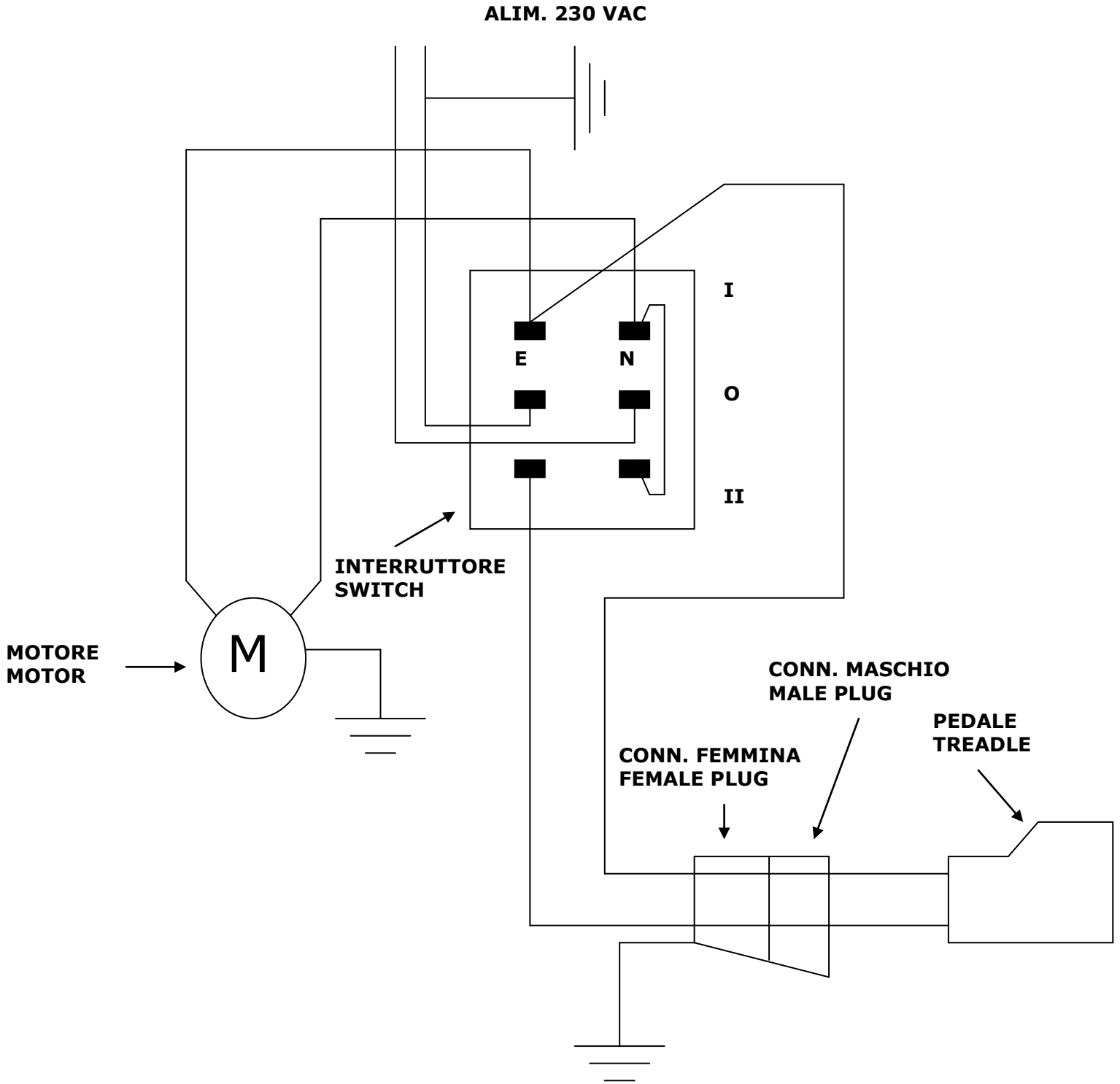
1.2.3 ROLLING MACHINES' MODELS 310/1 – 500/1 – 310/2

The models 310/1 - 500/1 – 310/2 are composed of: a metal structure of steel, by a pair of rollers, with relating guards, which are actuated by an electric gearmotor, controlled by a start switch fed through cable with mains voltage, a slide and a pedal control start-stop connected to the socket. With the exception of the model 310/2, the only composed of a pair of rollers to different diameters.

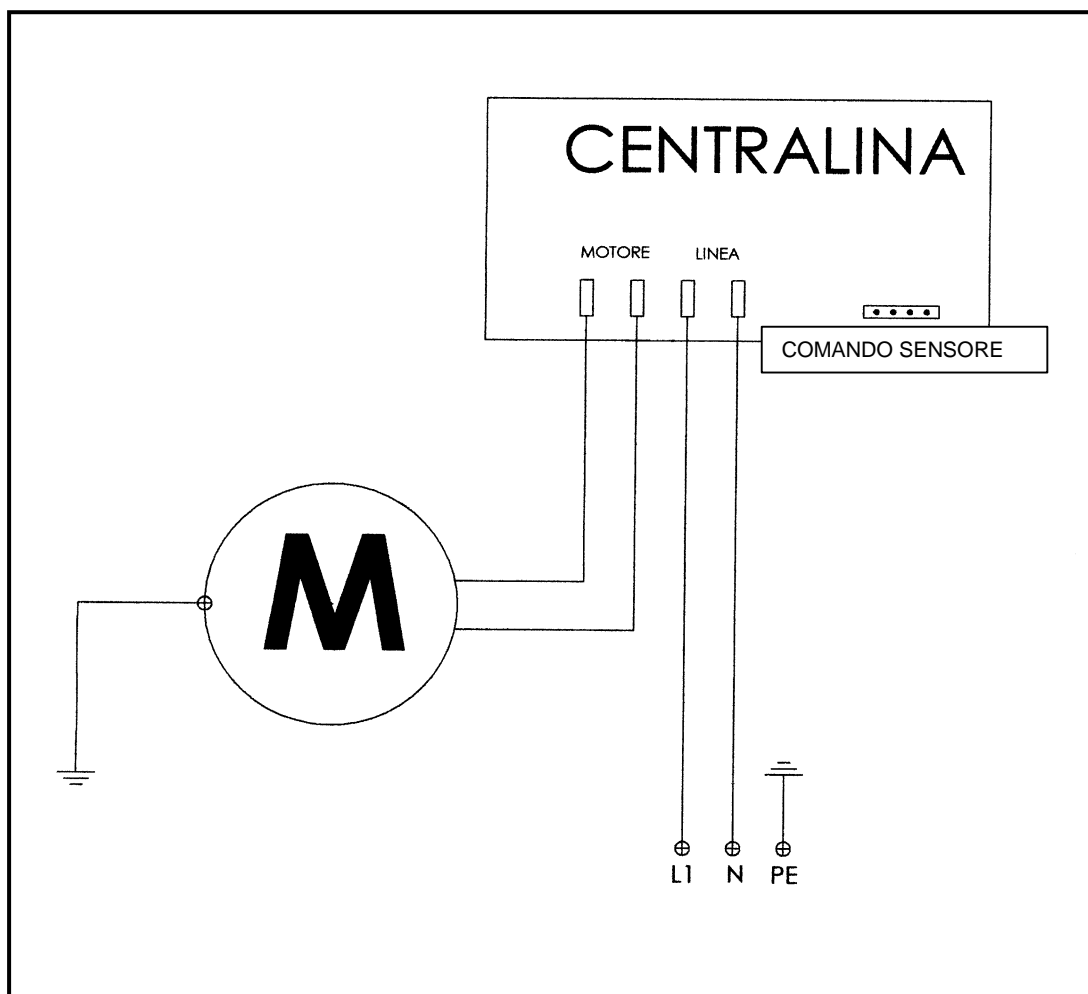
1.3 TECHNICAL CHARACTERISTICS

| Descrizione <i>Description</i> | U.M. | 310 NEW 310 T.GO NEW | 420 NEW 420 T.GO NEW | 420 RP NEW | 500 RP NEW | 310/1 | 500/1 | 310/2 |
|---|------|----------------------------------|----------------------------------|--------------------------|--------------------------|-------------------|-------------------|-------------------|
| Dimensioni macchina <i>Machine dimension</i> | cm | 47,5 x 37,5 x 66 | 58,5 x 43,5 x 79 | 58,5 x 43,5 x 71,5 | 66,5 x 43,5 x 71,5 | 48 x 33,5 x 43 | 65 x 34,5 x 43 | 65 x 34,5 x 43 |
| Peso netto <i>Net weight</i> | Kg | 30 | 36 | 38 | 41 | 18 | 27 | 22 |
| Temperatura d'esercizio <i>Operatine temperature</i> | °C | +15 ÷ +45 | | | | | | |
| Peso pasta <i>Dough weight</i> | gr | 80 ÷ 210 | 210 ÷ 700 | 220 ÷ 1000 | 220 ÷ 1000 | 80 ÷ 210 | 210 ÷ 700 | 80 ÷ 210 |
| Diametro pizza <i>Pizza diameter</i> | cm | 14 ÷ 29 | 26 ÷ 40 | 26 ÷ 40 | 26 ÷ 45 | 14 ÷ 29 | 26 ÷ 40 | 14 ÷ 29 |
| Tensione d'alimentazione <i>Alimentation tension</i> | Vac | 230 (1 Ph + N + T) 50 Hz | | | | | | |
| Potenza assorbita <i>Absorbed power</i> | W | 250 | | | | | | |
| Potenza motore <i>Motor power</i> | W | 240 | | | | | | |

1.4 ELECTRICAL SCHEME ABOUT MODELS: 310-420 NEW; 420-500 RP; 310/1; 500/1; 310/2



1.4.1 ELECTRICAL SCHEME ABOUT MODELS: 310-420 TG NEW



1.5 INFORMATION REGARDING ACOUSTIC NOISES

The acoustic pressure level well-pondered A measured on an equal machine, turned out to be steady and lower than 70 dB (A).

1.6 GENERAL SECURITY INDICATIONS

Although the machine is built in conformity to the required security rules regarding electrical, mechanical and hygienic regulations it can be dangerous if:

- used in cases and conditions different to those described by the manufacturer.

- **Modifications of the proportionate covers.**

- Inattention to the instructions of:

Installation - functioning - usage - Maintenance.

IMPORTANT

Installation and maintenance must be done by qualified personnel authorized by the manufacturer who is not responsible for any mistaken installation or manumission.

1.7 SECURITY INDICATIONS

IMPORTANT Carefully read the instructions before using the machine.

WARNING

To avoid dangerous conditions and/or possible injuries caused by: electric current, mechanical parts, fire or hygiene problems, you must follow the safety warnings step by step.

- A. KEEP IN ORDER YOUR WORKING AREA. Disorder can cause dangerous accidents.
- B. CONSIDER ENVIRONMENTAL CONDITIONS. Do not use the machine in humid, wet or badly lit environments, close to inflammable liquids or gas.
- C. KEEP AWAY FROM CHILDREN AND NON AUTHORISED PERSONNEL. Do not permit them to go near the machine or the working area.
- D. ONLY UTILISE THE MACHINE WITH THE CORRECT VOLTAGE. Normal usage gives better results.
- E. DRESS IN ADEQUATE WAY. Do not wear hanging clothes or any items which can be caught in the machine. Use non-slip shoes. For hygiene and safety keep your hair tied back and wear protective gloves.
- F. PROTECT THE CABLE. Do not pull the cable to extract the plug. Do not leave the cable near high temperatures, sharp object, water or solvents.
- G. AVOID INSECURE POSITIONS. Find the best surface to ensure the machine is balanced.
- H. ALWAYS PAY MAXIMUM ATTENTION. Do not be distracted when using the machine.
- I. TAKE THE PLUG OUT. When the machine is not in use, before cleaning, maintenance and moving it.
- J. DO NOT USE FURTHER EXTENSIONS.
- K. CHECK THAT THE MACHINE IS NOT DAMAGED. Before using the machine, carefully check that all security devices are working. Check that: the mobile parts are not blocked, there are not any parts damaged, all the parts have been set-up correctly and all the conditions that could influence the regular functioning of the machine, are in working order.
- L. REPAIRING THE MACHINE BY QUALIFIED PERSONNEL. The repairs can only be done by qualified people, using original spare parts. The non-compliance with these rules can represent danger for the user.

CHAPTER 2

INSTALLATION

2.1 INSTRUCTIONS FOR THE USER

The environmental conditions in which the machine must be installed must follow these characteristics:

- be dry
- water and heat sources at safe distance
- adequate ventilation and lighting (corresponding to hygiene and security rules following the existing laws).

The surface must be horizontal, for normal ventilation of the machine no objects should obstruct.

IMPORTANT

The electric net must be provided with an auto-matic differential switch and this has to be suitable to the machine and have a distance between the contacts of at least 3 mm. It is particularly important to have a good ground system.

Verify that the electrical set-up corresponds with the numbers of the **technical characteristics** (1.3) and on the small plate at the back of the machine.

2.2 INSTALLATION METHODS

The machine is supplied in a closed package.

After taking out the two covers, the higher slide and the machine proceed as follows:

- Position the machine in the corresponding location.
- Remove protection, avoid contact with utensils that can damage the surfaces.

NOTE

All the material belonging to the packaging, must be disposed in conformity of the law.

2.3 ELECTRICAL CONNECTION

The connection of the machine to the electrical network is made through a cable provided with a plug.

2.4 POSITIONING OF THE MACHINE

The plug must be accessible, does not have to require any kind of movement.

The cable from the machine to the wall plug must not be pulled tightly, also do not rest the machine on the cable.

CHAPTER 3

FUNCTIONING

3.1 CONTROL DEVICES

The machine is provided with the following control devices:

SWITCH 1-0-2:

Position 1 – START

Position 0 – STOP

Position 2 – THE FOOT FUNCTION

on the front panel for 310 – 420 TG:

- Black switch Set time (setting the working time);
- Red switch stoppage;
- Green light Machine starts.

3.2 FUNCTIONAL VERIFICATION

After you have inserted the line cord into the socket, the machine is ready for the functional verification.

START: press the button (1), the machine will start.

STOP: press the button (0), the machine will stop.

EXCEPT FOR MODELS 420/500 RP

START TO PEDAL:

Pressing the switch in position 2, the machine does not start, but waits. Applying light pressure to the foot control, the rollers start spinning and the machine is ready for use.

STOP TO PEDAL:

Lifting his foot from the foot pedal the machine stops.

Finally, **START THE MACHINE WITHOUT USING IT, LET IT RUN FOR 1 MINUTE AND MAKE SURE IT IS FUNCTIONING PERFECTLY.**

CHAPTER 4

USAGE

Before every work-cycle always make sure the machine is perfectly clean, in particular those surfaces that get in touch with the dough. If necessary clean the machine following point:

4.1 USAGE OF THE MACHINE

4.1.1 MODELS 310 - 420 NEW

TO START: Press the button (1); the machine starts the two rollers and it is now ready to be used.

Before you introduce in the opening of the highest cover the small ball of dough made with flour and left to rise (at least from 6 to 8 hours) squash the sides slightly so it can easily go through the highest rollers.

When the dough comes out you will see a reduction of thickness, with an oval shape, then sliding along the scale it will make a turn of about 90° ready to go under the lowest rollers out of which it will have a disk shape. This shape is not perfect so it needs the finishing touches by hand.

TO STOP: Press the button (0).

USAGE OF THE FOOT PEDAL

The foot pedal will only be installed by request of customer.

The foot pedal is a convenient alternative to the start and stop button and it makes possible to keep the machine on during the time needed.

This device is connected to the machine by introducing the plug on the side of the machine.

TO START: Pressing the button (2), the machine doesn't start but it is on hold. Pressing slowly the foot pedal, rollers start moving and the machine is ready for use

TO STOP: Taking your foot of the foot pedal the machine will stop working.

4.1.2 MODELS 310 - 420 TOUCH & GO NEW

TO START Press the switch at the side in position 1

Press the black switch of the unit "SET TIME" to set the working time from 10 to 35 seconds; the machine is ready for the operational phase.

Before you introduce in the opening of the highest cover the small ball of dough made with flour and left to rise (at least from 6 to 8 hours) squash the sides slightly so it can easily go through the highest rollers .**The rollers are automatically started with the contact of the dough with the top slide.**

When the dough comes out you will see a reduction of thickness, with an oval shape, then sliding along the scale it will make a turn of about 90° ready to go under the lowest rollers out of which it will have a disk shape. This shape is not perfect so it needs the finishing touches by hand. **The rollers turn will end automatically at the end of the time previously set.**

TO STOP: Press **the switch at the side** in position 0

4.1.3 models 420 - 500 RP

FUNCTIONS AND USAGE OF THE FOOT PEDAL. The foot control device controls the rollers to move depending on desired speed and keeping the machine on during the time needed.

This device is connected to the machine by plugging the foot pedal into the main machine.

USAGE FOR THE SHAPING OF THE DISKS. After turning on the machine with the toggle switch in position 1 or 2, and starting the movement of rollers with the foot pedal, you can start working.

Before introducing in opening of the highest cover the small ball of dough previously left to rise (at least 6 to 8 hours), squash the sides slightly so it can easily go through the highest rollers. When the dough comes out, you will see a reduction of thickness, with an oval shape. At the end of the trial, support on exit the dough with your hand letting it advance slowly till it comes out, at the end of this the rollers must be stopped. Turn the dough to 90° placing it in the lowest rollers ready for the next trial. Out of these rollers it will have a disk shape, this shape is not perfect so it needs the finishing touches by hand.

USAGE FOR THE SHAPING OF RECTANGLES. Position a baking pan under the machine clean and big enough to fit underneath.

Turn on the machine, start rollers, then introduce in the opening of the highest cover the small ball of dough previously left to rise (at least 6 to 8 hours), squash sides slightly to facilitate entrance in the rollers through which, on the first trial the dough becomes thinner.

At the end of trial, it is necessary for medium or big weights to proceed as follows: go forward step by step, for another constant manual widening of the dough, positioning for the next trial through the rollers, from here the shaped dough will fall down into the baking pan.

IMPORTANT TURN OFF THE MACHINE WHEN YOU HAVE FINISHED WORKING.

HOW TO REGULATE THE THICKNESS. Regulating the machine can only be recommended as there are different characteristics of: the dough, the weight, the thickness, the size and the shape of the disk.

Therefore the correct regulating of the machine must be made by experimenting.

The machine is provided with a medium size regulation for the shapes of pizza.

IMPORTANT ALL REGULATION MUST BE MADE WHEN MACHINE IS ON HOLD.

With this machine you can have different thickness' of dough to suit all requirements, just by turning and turning the knob. Pull the black knob in order to release the levers.

To obtain the best results, we recommend to change the regulations.

The thickness can be modified turning the knob:

-MINIMUM THICKNESS (0) turning counter-clockwise

-MAXIMUM THICKNESS (4) turning clockwise.

NOTE TO AVOID THE DOUGH BRAKING, IT MUST PASS THROUGH THE ROLLERS ONLY ONCE.

4.1.4 models 310/1 – 310/2 – 500/1

TO START Push the button in position 1; the machine starts the two rollers and it 's now ready to be used. Before introducing the dough previously left to rise (at least 6 to 8 hours) open the rollers using the handle (in position 3-4). The dough needs to be floured and squashed slightly to get through the rollers. When the dough comes out, it will be in an oval shape and you will notice reduction of thickness. Towards the end of this step, you need to support with your hand the dough until it come out completely. At this stage rotate the dough in a transversal way of about 90° and put it trough the rollers once more (in position 1-2). You will finally get an almost perfect disk shape dough that can be easily enhanced with few finishing touches by hand.

TO STOP Press the button 0.

USAGE OF THE FOOT PEDAL. The foot pedal will only be installed by request of customer.

The foot pedal is a convenient alternative to the start and stop button and it makes possible to keep the machine on during the time needed.

This device is connected to the machine by introducing the plug on the side if the machine.

TO START Pressing the button (2), the machine doesn't start but it is on hold. Pressing slowly the foot pedal, rollers start moving and the machine is ready for use.

TO STOP Taking your foot of the foot pedal the machine will stop working.

CHAPTER 5

REGULATIONS

Regulating the machine can only be recommended as there are different characteristics of: the dough, the weight, the thickness, the size and the shape of the disk.

Therefore the correct regulating of the machine must be made by experimenting.

The machine is provided with medium size regulation.

5.1 HOW TO REGULATE THE THICKNESS

IMPORTANT: ALL THE REGULATIONS HAVE TO BE DONE WHEN THE MACHINE IS OFF.

With this machine you can have different thickness' of dough to suit all requirements, just by turning Knob you can unblocked them pulling the black lever.

The thickness can be modified turning the knob:

-**MINIMUM THICKNESS** (0) turning counter-clockwise

-**MAXIMUM THICKNESS** (4) turning clockwise.

To obtain the best results we suggest you variegate the different regulations.

Ex.: Superior roller 3,5 mm

Lower roller 2 mm

NOTE: TO AVOID BREAKING THE DOUGH, LET IT PASS ONLY ONCE THROUGH THE ROLLERS.

5.2 HOW TO REGULATE THE SHAPE FOR ROLLING MACHINES 310/420 E TOUCH&GO

To obtain the right shape of the disk , it is necessary to readjust the scale to the alteration of the weight of the dough, to modify the position of the vertical perfectly to horizontal before entering the lowest rollers.

NOTE: MAKE SURE THAT THE SCALE IS IN THE HIGHEST POSITION WHEN NOT IN USE.

5.2.2 HOW TO REGULATE THE SMALL SCALE

This regulation gives the possibility to alter the rotation speed of the dough. Unscrewing the blocking screw it is possible to modify the position of the counterbalance and its sensibility depending on its positioning in one of the three holes in the small balance.

MAXIMUM BALANCE:

- position the counter-balance in the inside hole;
- this is recommended for lower weights.

MEDIUM BALANCE:

- position the counter-balance in the middle hole;
- this is recommended for medium weights.

MINIMUM BALANCE:

- position the counter-balance in the extreme hole;
- this is recommended for higher weights.

At the end of the regulation block the counterbalance screwing the screw.

CHAPTER 6

MAINTENANCE

WARNING

BEFORE DOING ANY KIND OF MAINTENANCE OR CLEANING YOU MUST TAKE OUT THE PLUG.

IN ANY CASE OF MALFUNCTIONING OR DAMAGES OF THE MACHINE YOU MUST APPLY FOR AUTHORISED ASSISTANCE FROM THE MANUFACTURER. (SEE CHAPTER 8).

6.1 CLEANING

Cleaning must be done every time the machine has been used **following all the rules to prevent malfunctioning of the machine and for hygienic purposes.**

Using a proper brush, first clean the residue of flour and dough.

Release the springs, loosen the dough scrapers then turn the regulating levers in position, maximum opening of the rollers.

Clean very carefully the machine and all the parts, also the disassembled parts, using a sponge or a cloth dampen with tepid water and detergent. Rinse out very well so to remove completely the detergent. Dry with blotting paper, then clean first the surface in contact with the dough and then all the machine with a clean and soft cloth soaked with a specific disinfectant for alimentary machines.

WARNING

IT IS IMPORTANT NOT TO USE CHEMICAL ABRASIVE OR CORROSIVE PRODUCTS. ABSOLUTELY AVOID TO USE RUNNING WATER, NON-SMOOTH TOOLS SUCH AS STEEL WOOL, SPONGES ETC... THESE CAN DAMAGE THE SURFACE AND COMPROMISE THE HYGIENICALLY SAFETY.

Mount everything in this order: the scrapingdough pieces, the springs, the slides and the protections.

VERIFY THAT ALL PIECES HAVE BEEN CORRECTLY POSITIONED AND FIXED.

6.2 LUBRICATION OF SHAFTS AND ROLLERS

It is necessary to grease shafts and rollers every year. Take off the protections, the slanted wall, the springs and the doughscrapers; unscrew the fixing screws and take off first the back-panel and then the stands and ; Take off the rollers and the joints . Clean all these parts accurately by means of a sponge, warm water and food detergent, rinse thoroughly and dry it with absorbing paper. Grease both the shafts and the Back on and fix all the parts, starting from the last taken-off piece.

6.3 POSSIBLE ANOMALIES

| ANOMALY | CAUSE | SOLUTION |
|---------------------------|--|---|
| The machine doesn't start | 1_ Electrical power is missing 2_ The foot - control is on. | 1_ Check the general contactor, the plug and the feeding cable. 2_ Push the foot pedal |

CHAPTER 7

DEMOLITION OF THE MACHINE

In cases of dismantling and/or demolition of the machine, the pieces which the machine is made of, do not present any kind of danger that necessitates any particular caution.

To facilitate the recycling process of the materials, you must separate all electrical and thermo-plastic components.

CHAPTER 8

AFTER-SALE SERVICE

8.1 SPARE PARTS

For a demand of spare parts:

EEC Countries: Contact exclusively place of purchase

8.1.2 SPARE PARTS FOR ROLLING MACHINES

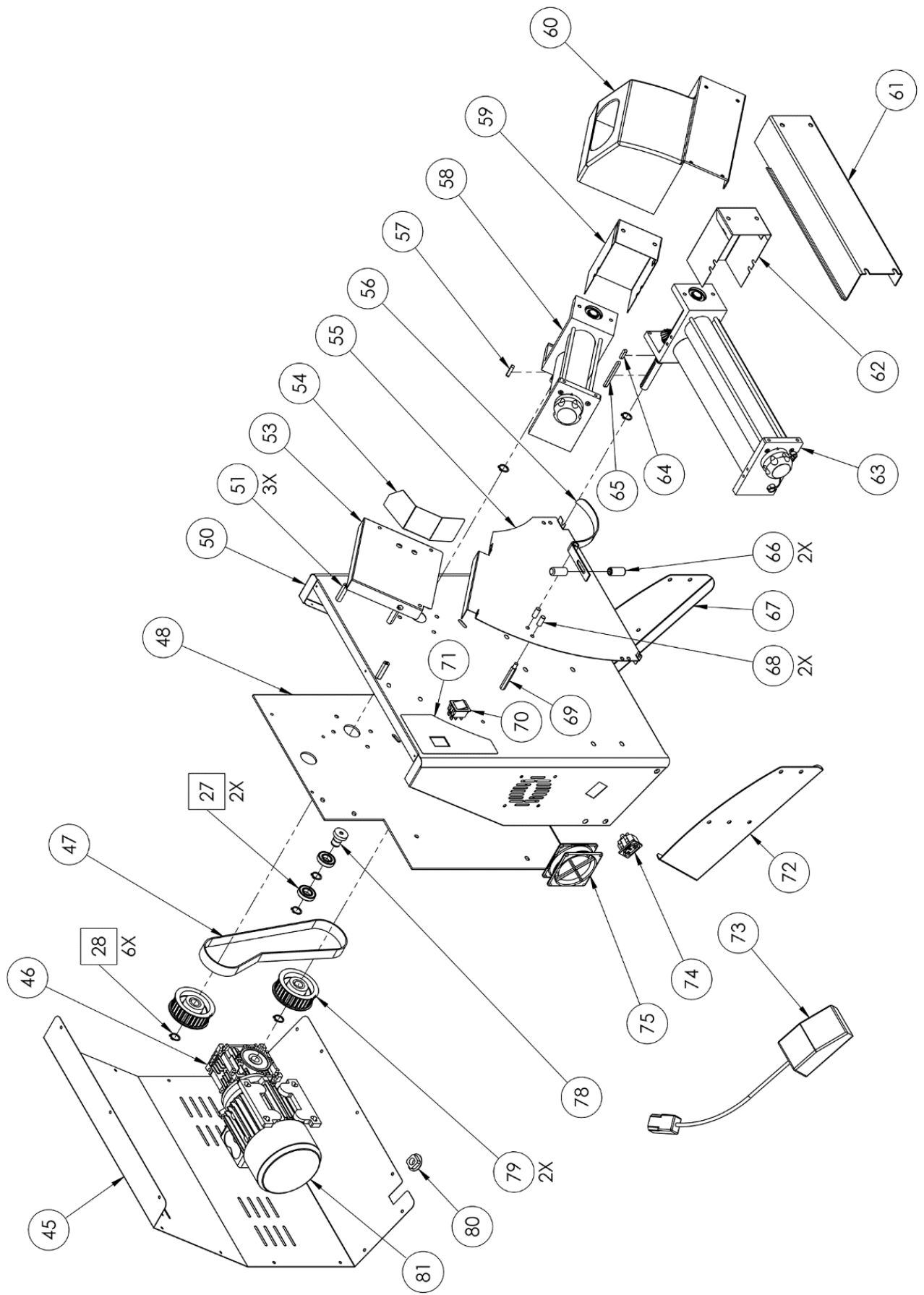
| 310 NEW ROLLING MACHINE | | | 420 NEW ROLLING MACHINE | | |
|-------------------------|----------|----------------------------|-------------------------|----------------------------|--|
| POS. | ART. | DESCRIPTION | ART. | DESCRIPTION | |
| 1 | 5T100001 | PLUG STRAP | 5T100001 | PLUG STRAP | |
| 2 | 5S500001 | SEEGER Ø10 UNI 7435 | 5S500001 | SEEGER Ø10 UNI 7435 | |
| 3 | 3P020001 | KNOB CONTROL | 3P020001 | KNOB CONTROL | |
| 5 | 5S510005 | CILINDRIC SHEET 3X14 | 5S510005 | CILINDRIC SHEET 3X14 | |
| 6 | 3S010032 | LOWER ROLLERS SUPPORT | 3S010032 | LOWER ROLLERS SUPPORT | |
| 7 | 3S010027 | UPPER ROLLERS SUPPORT | 3S010027 | UPPER ROLLERS SUPPORT | |
| 9 | 3A010042 | LOWER CILINDRIC SHAFT 310 | 3A010047 | LOWER CILINDRIC SHAFT 310 | |
| 10 | 3A010032 | UPPER CILINDRIC SHAFT 310 | 3A010037 | UPPER CILINDRIC SHAFT 310 | |
| 11 | 3R020005 | BACK DOUGH SCRAPER 310 | 3R020010 | BACK DOUGH SCRAPER 310 | |
| 12 | 3R010010 | LOWER CILINDRIC ROLLER 310 | 3R010020 | LOWER CILINDRIC ROLLER 310 | |
| 13 | 3R010001 | UPPER CILINDRIC ROLLER 310 | 3R010005 | UPPER CILINDRIC ROLLER 310 | |
| 17 | 5A010001 | ELASTIC RING | 5A010001 | ELASTIC RING | |
| 18 | 3A010072 | LOWER MOTOR SHAFT | 3A010072 | LOWER MOTOR SHAFT | |
| 19 | 3A010071 | UPPER MOTOR SHAFT | 3A010071 | UPPER MOTOR SHAFT | |
| 20 | 5C030000 | KBC 6202 ZZ BEARING | 5C030000 | KBC 6202 ZZ BEARING | |
| 21 | 5L500017 | UNI 6604-A 5X5X14 KEY | 5L500017 | UNI 6604-A 5X5X14 KEY | |
| 22 | 5I200005 | DRIVING GEAR | 5I200005 | DRIVING GEAR | |
| 25 | 3S010007 | LOWER GEARS SUPPORT | 3S010007 | LOWER GEARS SUPPORT | |
| 26 | 3S010003 | UPPER GEARS SUPPORT | 3S010003 | UPPER GEARS SUPPORT | |
| 27 | 5C030007 | 16002 2Z BEARING | 5C030007 | 16002 2Z BEARING | |
| 28 | 5S500010 | SEEGER Ø15 UNI 7435 | 5S500010 | SEEGER Ø15 UNI 7435 | |
| 31 | 5G010005 | MALE COUPLING | 5G010005 | MALE COUPLING | |
| 32 | 5G010001 | FEMALE COUPLING | 5G010001 | FEMALE COUPLING | |
| 33 | 3R010050 | LOWER ECCENTRIC ROLLER 310 | 3R010060 | LOWER ECCENTRIC ROLLER 310 | |
| 34 | 3R010040 | UPPER ECCENTRIC ROLLER 310 | 3R010045 | UPPER ECCENTRIC ROLLER 310 | |
| 35 | 3R020025 | FRONT DOUGH SCRAPER 310 | 3R020030 | FRONT DOUGH SCRAPER 310 | |
| 36 | 3T050035 | LOWER STAY ROD 310 | 3T050025 | LOWER STAY ROD 310 | |
| 37 | 3T050040 | UPPER STAY ROD 310 | 3T050030 | UPPER STAY ROD 310 | |
| 38 | 3A010011 | LOWER ECCENTRIC SHAFT 310 | 3A010016 | LOWER ECCENTRIC SHAFT 310 | |
| 39 | 3A010002 | UPPER ECCENTRIC SHAFT 310 | 3A010006 | UPPER ECCENTRIC SHAFT 310 | |
| 41 | 5M500005 | DOUGH SCRAPER SPRING | 5M500005 | DOUGH SCRAPER SPRING | |
| 42 | 5L500010 | UNI 6604-A 4X4X15 KEY | 5L500010 | UNI 6604-A 4X4X15 KEY | |
| 43 | 5M500001 | KNOB REGULATION SPRING | 5M500001 | KNOB REGULATION SPRING | |
| 45 | 4C010016 | BACK COVER 310 NEW | 4C010008 | BACK COVER 310 NEW | |
| 46 | 5R010001 | NMRV30 REDUCER | 5R010001 | NMRV30 REDUCER | |
| 47 | 5C020010 | 310 ROLL MACHINE BELT | 5C020015 | 310 ROLL MACHINE BELT | |
| 48 | 4P010007 | 310 NEW PLATE | 4P010012 | 310 NEW PLATE | |
| 50 | 4T010106 | 310 NEW CHASSIS | 4T010111 | 310 NEW CHASSIS | |
| 51 | 3D010005 | UPPER SLIDE SPACER | 3D010005 | UPPER SLIDE SPACER | |
| 53 | 4S010003 | 310 UPPER SLIDE | 4S010006 | 310 UPPER SLIDE | |
| 54 | 4D010001 | DEFLECTOR | 4D010001 | DEFLECTOR | |

| | | | | |
|----|----------|--------------------------------|----------|--------------------------------|
| 55 | 4S010071 | 310 NEW LOWER SLIDE | 4S010074 | 310 NEW LOWER SLIDE |
| 56 | 4B010001 | ROCKING 310 | 4B010005 | ROCKING 310 |
| 57 | 5L500031 | UNI6604-A 5X5X25 KEY | 5L500031 | UNI6604-A 5X5X25 KEY |
| 58 | 7G010066 | 310 NEW UPPER ROLLER GROUP | 7G010070 | 310 NEW UPPER ROLLER GROUP |
| 59 | 4C010070 | PROTECTION GEAR SUPPORT | 4C010070 | PROTECTION GEAR SUPPORT |
| 60 | 4P020026 | 310 UPPER PROTECTION | 4P020031 | 310 UPPER PROTECTION |
| 61 | 4P020006 | 310 LOWER PROTECTION | 4P020015 | 310 LOWER PROTECTION |
| 62 | 4C010070 | PROTECTION GEAR SUPPORT | 4C010070 | PROTECTION GEAR SUPPORT |
| 63 | 7G010068 | 310 NEW LOWER ROLLER GROUP | 7G010072 | 310 NEW LOWER ROLLER GROUP |
| 64 | 5L500020 | UNI 6604-A 5X5X20 KEY | 5L500020 | UNI 6604-A 5X5X20 KEY |
| 65 | 5L500024 | UNI 6604-A 5X5X60 KEY | 5L500024 | UNI 6604-A 5X5X60 KEY |
| 66 | 3C010001 | COUNTERBALANCE ROCKING | 3C010001 | COUNTERBALANCE ROCKING |
| 67 | 4P030016 | DX FOOT 310 NEW | 4P030021 | DX FOOT 310 NEW |
| 68 | 3P030001 | PIN ROCKING INOX D.8 | 3P030001 | PIN ROCKING INOX D.8 |
| 70 | 5I100001 | SWITCH | 5I100001 | SWITCH |
| 72 | 4P030017 | SX FOOT 310 NEW | 4P030022 | SX FOOT 310 NEW |
| 73 | 5P020001 | PEDAL | 5P020001 | PEDAL |
| 74 | 5P200001 | PEDAL POWER | 5P200001 | PEDAL POWER |
| 75 | 5V050005 | 230V FAN | 5V050005 | 230V FAN |
| 78 | 3T300010 | ROLL MACHINE HOLDING BELT | 3T300010 | ROLL MACHINE HOLDING BELT |
| 79 | 3P010010 | ROLL MACHINE PULLEY | 3P010010 | ROLL MACHINE PULLEY |
| 80 | 5P100015 | Ø 6-10,5 CABLE PRESS | 5P100015 | Ø 6-10,5 CABLE PRESS |
| 81 | 5M020010 | ROLL MACHINE MOTOR 0,25KW 230V | 5M020010 | ROLL MACHINE MOTOR 0,25KW 230V |

| | 71010002 | COMPLETE ECCENTRIC DUCT GEAR | 71010002 | COMPLETE ECCENTRIC DUCT GEAR |
|------------|-----------------|-------------------------------------|-----------------|-------------------------------------|
| 30 | 3I010002 | ECCENTRIC GEAR HUB | 3I010002 | ECCENTRIC GEAR HUB |
| 16 | 5I200006 | STEEL DUCT GEAR | 5I200006 | STEEL DUCT GEAR |
| 15 | 5B100010 | BUSH | 5B100010 | BUSH |
| 29 (2x) | 5L500015 | UNI 6604-A 5X5X10 KEY | 5L500015 | UNI 6604-A 5X5X10 KEY |

| | 71010001 | COMPLETE CYLINDRICAL DUCT GEAR | 71010001 | COMPLETE CYLINDRICAL DUCT GEAR |
|------------|-----------------|---------------------------------------|-----------------|---------------------------------------|
| 14 | 3I010006 | CYLINDRICAL GEAR HUB | 3I010006 | CYLINDRICAL GEAR HUB |
| 16 | 5I200006 | STEEL DUCT GEAR | 5I200006 | STEEL DUCT GEAR |
| 15 | 5B100010 | BUSH | 5B100010 | BUSH |
| 29 (2x) | 5L500015 | UNI 6604-A 5X5X10 KEY | 5L500015 | UNI 6604-A 5X5X10 KEY |

*** EXPLODED REFERENCE TO SPARE PARTS ABOUT THE ROLLER GROUP, AT THE END MANUAL.**



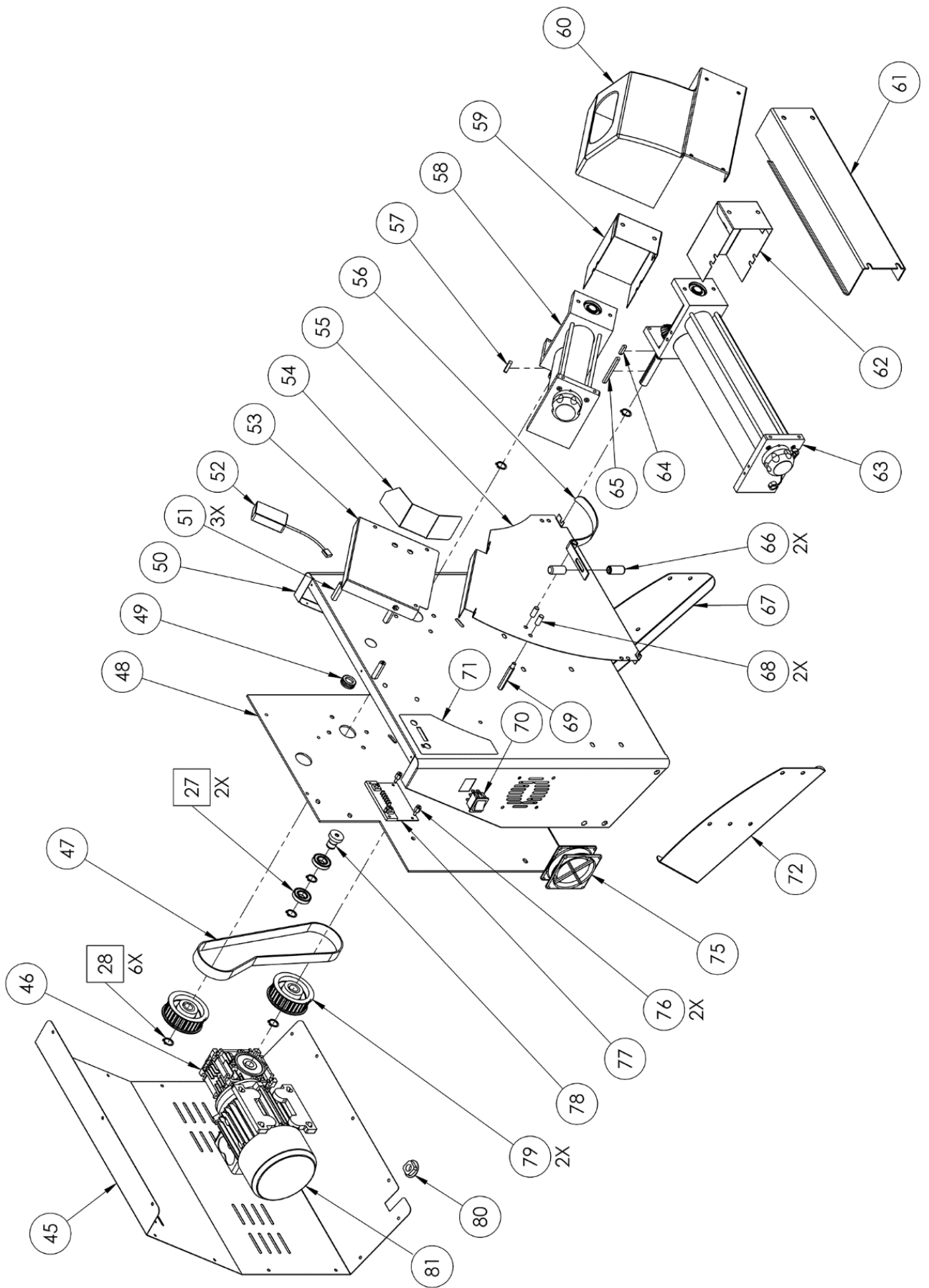
| 310 T&G NEW ROLLING MACHINE | | | 420 T&G NEW ROLLING MACHINE | | |
|-----------------------------|----------|--|-----------------------------|--|--|
| POS. | ART. | DESCRIPTION | ART. | DESCRIPTION | |
| 1 | 5T100001 | PLUG STRAP | 5T100001 | PLUG STRAP | |
| 2 | 5S500001 | SEEGER Ø10 UNI 7435 | 5S500001 | SEEGER Ø10 UNI 7435 | |
| 3 | 3P020001 | KNOB CONTROL | 3P020001 | KNOB CONTROL | |
| 5 | 5S510005 | CILINDRIC SHEET 3X14 | 5S510005 | CILINDRIC SHEET 3X14 | |
| 6 | 3S010032 | LOWER ROLLERS SUPPORT | 3S010032 | LOWER ROLLERS SUPPORT | |
| 7 | 3S010027 | UPPER ROLLERS SUPPORT | 3S010027 | UPPER ROLLERS SUPPORT | |
| 9 | 3A010042 | LOWER CILINDRIC SHAFT 310 | 3A010047 | LOWER CILINDRIC SHAFT 310 | |
| 10 | 3A010032 | UPPER CILINDRIC SHAFT 310 | 3A010037 | UPPER CILINDRIC SHAFT 310 | |
| 11 | 3R020005 | BACK DOUGH SCRAPER 310 | 3R020010 | BACK DOUGH SCRAPER 310 | |
| 12 | 3R010010 | LOWER CILINDRIC ROLLER 310 | 3R010020 | LOWER CILINDRIC ROLLER 310 | |
| 13 | 3R010001 | UPPER CILINDRIC ROLLER 310 | 3R010005 | UPPER CILINDRIC ROLLER 310 | |
| 17 | 5A010001 | ELASTIC RING | 5A010001 | ELASTIC RING | |
| 18 | 3A010072 | LOWER MOTOR SHAFT | 3A010072 | LOWER MOTOR SHAFT | |
| 19 | 3A010071 | UPPER MOTOR SHAFT | 3A010071 | UPPER MOTOR SHAFT | |
| 20 | 5C030000 | KBC 6202 ZZ BEARING | 5C030000 | KBC 6202 ZZ BEARING | |
| 21 | 5L500017 | UNI 6604-A 5X5X14 KEY | 5L500017 | UNI 6604-A 5X5X14 KEY | |
| 22 | 5I200005 | DRIVING GEAR | 5I200005 | DRIVING GEAR | |
| 25 | 3S010007 | LOWER GEARS SUPPORT | 3S010007 | LOWER GEARS SUPPORT | |
| 26 | 3S010003 | UPPER GEARS SUPPORT | 3S010003 | UPPER GEARS SUPPORT | |
| 27 | 5C030007 | 16002 2Z BEARING | 5C030007 | 16002 2Z BEARING | |
| 28 | 5S500010 | SEEGER Ø15 UNI 7435 | 5S500010 | SEEGER Ø15 UNI 7435 | |
| 31 | 5G010005 | MALE COUPLING | 5G010005 | MALE COUPLING | |
| 32 | 5G010001 | FEMALE COUPLING | 5G010001 | FEMALE COUPLING | |
| 33 | 3R010050 | LOWER ECCENTRIC ROLLER 310 | 3R010060 | LOWER ECCENTRIC ROLLER 310 | |
| 34 | 3R010040 | UPPER ECCENTRIC ROLLER 310 | 3R010045 | UPPER ECCENTRIC ROLLER 310 | |
| 35 | 3R020025 | FRONT DOUGH SCRAPER 310 | 3R020030 | FRONT DOUGH SCRAPER 310 | |
| 36 | 3T050035 | LOWER STAY ROD 310 | 3T050025 | LOWER STAY ROD 310 | |
| 37 | 3T050040 | UPPER STAY ROD 310 | 3T050030 | UPPER STAY ROD 310 | |
| 38 | 3A010011 | LOWER ECCENTRIC SHAFT 310 | 3A010016 | LOWER ECCENTRIC SHAFT 310 | |
| 39 | 3A010002 | UPPER ECCENTRIC SHAFT 310 | 3A010006 | UPPER ECCENTRIC SHAFT 310 | |
| 41 | 5M500005 | DOUGH SCRAPER SPRING | 5M500005 | DOUGH SCRAPER SPRING | |
| 42 | 5L500010 | UNI 6604-A 4X4X15 KEY | 5L500010 | UNI 6604-A 4X4X15 KEY | |
| 43 | 5M500001 | KNOB REGULATION SPRING | 5M500001 | KNOB REGULATION SPRING | |
| 45 | 4C010016 | BACK COVER 310 NEW | 4C010008 | BACK COVER 310 NEW | |
| 46 | 5R010001 | NMRV30 REDUCER | 5R010001 | NMRV30 REDUCER | |
| 47 | 5C020010 | 310 ROLL MACHINE BELT | 5C020015 | 310 ROLL MACHINE BELT | |
| 48 | 4P010007 | 310 NEW PLATE | 4P010012 | 310 NEW PLATE | |
| 50 | 4T010108 | 310 T&G NEW CHASSIS | 4T010113 | 310 T&G NEW CHASSIS | |
| 51 | 3D010005 | UPPER SLIDE SPACER | 3D010005 | UPPER SLIDE SPACER | |
| 52 | 5S010070 | CAPACITIVE SENSOR T&G ROLLING MACHINES | 5S010070 | CAPACITIVE SENSOR T&G ROLLING MACHINES | |
| 53 | 4S010002 | 310 T&G UPPER SLIDE | 4S010007 | 310 T&G UPPER SLIDE | |
| 54 | 4D010001 | DEFLECTOR | 4D010001 | DEFLECTOR | |

| | | | | |
|----|----------|--------------------------------|----------|--------------------------------|
| 55 | 4S010071 | 310 NEW LOWER SLIDE | 4S010074 | 310 NEW LOWER SLIDE |
| 56 | 4B010001 | ROCKING 310 | 4B010005 | ROCKING 310 |
| 57 | 5L500031 | UNI6604-A 5X5X25 KEY | 5L500031 | UNI6604-A 5X5X25 KEY |
| 58 | 7G010066 | 310 NEW UPPER ROLLER GROUP | 7G010070 | 310 NEW UPPER ROLLER GROUP |
| 59 | 4C010070 | PROTECTION GEAR SUPPORT | 4C010070 | PROTECTION GEAR SUPPORT |
| 60 | 4P020026 | 310 UPPER PROTECTION | 4P020031 | 310 UPPER PROTECTION |
| 61 | 4P020006 | 310 LOWER PROTECTION | 4P020015 | 310 LOWER PROTECTION |
| 62 | 4C010070 | PROTECTION GEAR SUPPORT | 4C010070 | PROTECTION GEAR SUPPORT |
| 63 | 7G010068 | 310 NEW LOWER ROLLER GROUP | 7G010072 | 310 NEW LOWER ROLLER GROUP |
| 64 | 5L500020 | UNI 6604-A 5X5X20 KEY | 5L500020 | UNI 6604-A 5X5X20 KEY |
| 65 | 5L500024 | UNI 6604-A 5X5X60 KEY | 5L500024 | UNI 6604-A 5X5X60 KEY |
| 66 | 3C010001 | COUNTERBALANCE ROCKING | 3C010001 | COUNTERBALANCE ROCKING |
| 67 | 4P030016 | DX FOOT 310 NEW | 4P030021 | DX FOOT 310 NEW |
| 68 | 3P030001 | PIN ROCKING INOX D.8 | 3P030001 | PIN ROCKING INOX D.8 |
| 70 | 5I100001 | SWITCH | 5I100001 | SWITCH |
| 72 | 4P030017 | SX FOOT 310 NEW | 4P030022 | SX FOOT 310 NEW |
| 75 | 5V050005 | 230V FAN | 5V050005 | 230V FAN |
| 77 | 5C150030 | CONTROL UNIT | 5C150030 | CONTROL UNIT |
| 78 | 3T300010 | ROLL MACHINE HOLDING BELT | 3T300010 | ROLL MACHINE HOLDING BELT |
| 79 | 3P010010 | ROLL MACHINE PULLEY | 3P010010 | ROLL MACHINE PULLEY |
| 80 | 5P100015 | Ø 6-10,5 CABLE PRESS | 5P100015 | Ø 6-10,5 CABLE PRESS |
| 81 | 5M020010 | ROLL MACHINE MOTOR 0,25KW 230V | 5M020010 | ROLL MACHINE MOTOR 0,25KW 230V |

| | 71010002 | COMPLETE ECCENTRIC DUCT GEAR | 71010002 | COMPLETE ECCENTRIC DUCT GEAR |
|------------|-----------------|-------------------------------------|-----------------|-------------------------------------|
| 30 | 3I010002 | ECCENTRIC GEAR HUB | 3I010002 | ECCENTRIC GEAR HUB |
| 16 | 5I200006 | STEEL DUCT GEAR | 5I200006 | STEEL DUCT GEAR |
| 15 | 5B100010 | BUSH | 5B100010 | BUSH |
| 29 (2x) | 5L500015 | UNI 6604-A 5X5X10 KEY | 5L500015 | UNI 6604-A 5X5X10 KEY |

| | 71010001 | COMPLETE CYLINDRICAL DUCT GEAR | 71010001 | COMPLETE CYLINDRICAL DUCT GEAR |
|------------|-----------------|---------------------------------------|-----------------|---------------------------------------|
| 14 | 3I010006 | CYLINDRICAL GEAR HUB | 3I010006 | CYLINDRICAL GEAR HUB |
| 16 | 5I200006 | STEEL DUCT GEAR | 5I200006 | STEEL DUCT GEAR |
| 15 | 5B100010 | BUSH | 5B100010 | BUSH |
| 29 (2x) | 5L500015 | UNI 6604-A 5X5X10 KEY | 5L500015 | UNI 6604-A 5X5X10 KEY |

*** EXPLODED REFERENCE TO SPARE PARTS ABOUT THE ROLLER GROUP, AT THE END MANUAL.**



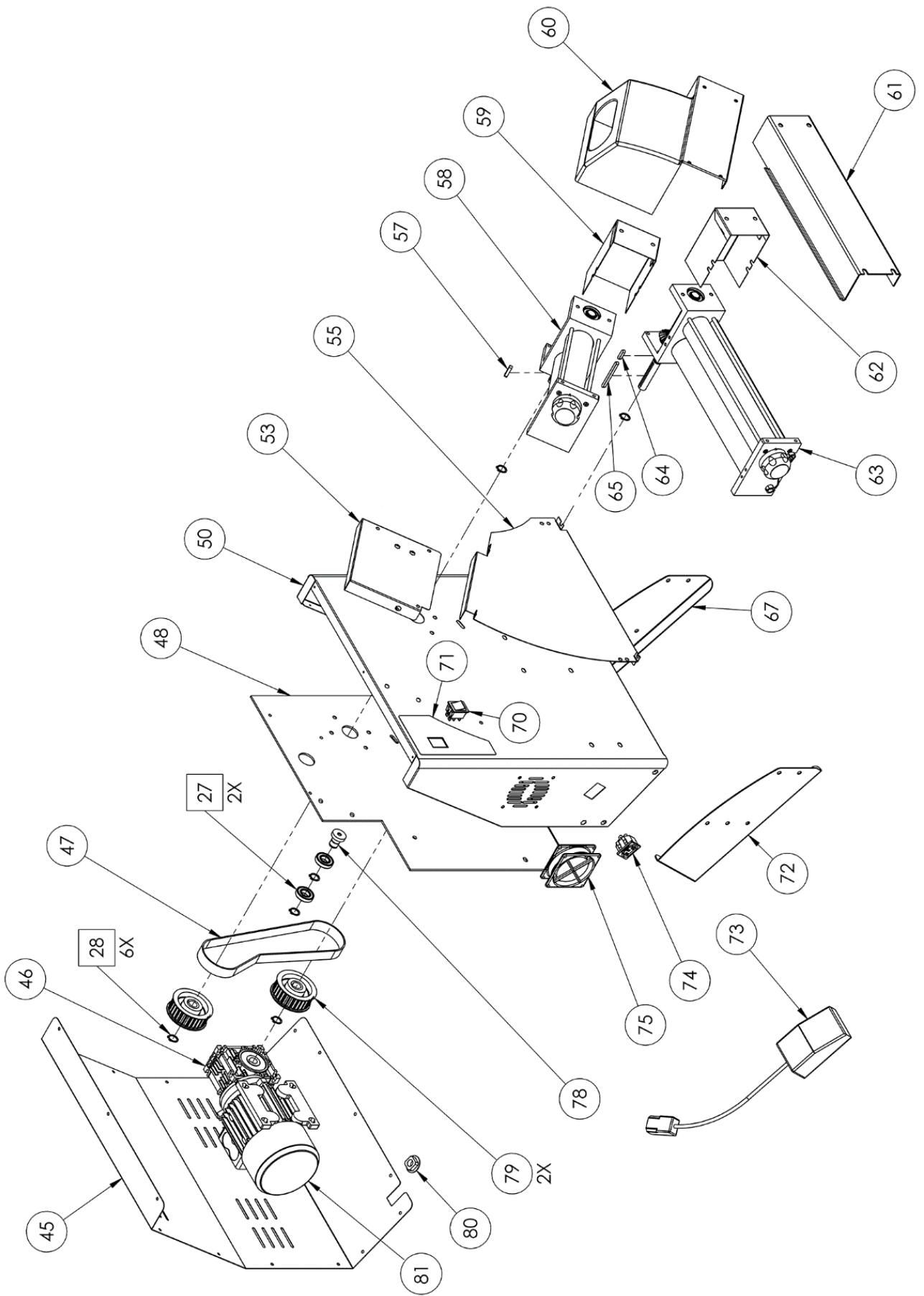
| 420 RP NEW ROLLING MACHINE | | | 500 RP NEW ROLLING MACHINE | | |
|----------------------------|----------|-------------------------------|----------------------------|-------------------------------|--|
| POS. | ART. | DESCRIPTION | ART. | DESCRIPTION | |
| 1 | 5T100001 | PLUG STRAP | 5T100001 | PLUG STRAP | |
| 2 | 5S500001 | SEEGER Ø10 UNI 7435 | 5S500001 | SEEGER Ø10 UNI 7435 | |
| 3 | 3P020001 | KNOB CONTROL | 3P020001 | KNOB CONTROL | |
| 5 | 5S510005 | CILINDRIC SHEET 3X14 | 5S510005 | CILINDRIC SHEET 3X14 | |
| 6 | 3S010032 | LOWER ROLLERS SUPPORT | 3S010032 | LOWER ROLLERS SUPPORT | |
| 7 | 3S010038 | UPPER ROLLERS SUPPORT | 3S010038 | UPPER ROLLERS SUPPORT | |
| 9 | 3A010047 | LOWER CILINDRIC SHAFT 420 | 3A010054 | LOWER CILINDRIC SHAFT 420 | |
| 10 | 3A010042 | LOWER CILINDRIC SHAFT 310 | 3A010042 | LOWER CILINDRIC SHAFT 310 | |
| 11 | 3R020010 | BACK DOUGH SCRAPER 420 | 3R020003 | BACK DOUGH SCRAPER 420 | |
| 12 | 3R010020 | LOWER CILINDRIC ROLLER 420 | 3R010030 | LOWER CILINDRIC ROLLER 420 | |
| 13 | 3R010005 | UPPER CILINDRIC ROLLER 420 | 3R010015 | UPPER CILINDRIC ROLLER 420 | |
| 17 | 5A010001 | ELASTIC RING | 5A010001 | ELASTIC RING | |
| 18 | 3A010072 | LOWER MOTOR SHAFT | 3A010072 | LOWER MOTOR SHAFT | |
| 19 | 3A010081 | UPPER MOTOR SHAFT RP | 3A010081 | UPPER MOTOR SHAFT RP | |
| 20 | 5C030000 | KBC 6202 ZZ BEARING | 5C030000 | KBC 6202 ZZ BEARING | |
| 21 | 5L500017 | UNI 6604-A 5X5X14 KEY | 5L500017 | UNI 6604-A 5X5X14 KEY | |
| 22 | 5I200005 | DRIVING GEAR | 5I200005 | DRIVING GEAR | |
| 25 | 3S010007 | LOWER GEARS SUPPORT | 3S010007 | LOWER GEARS SUPPORT | |
| 26 | 3S010013 | UPPER GEARS SUPPORT RP | 3S010013 | UPPER GEARS SUPPORT RP | |
| 27 | 5C030007 | 16002 ZZ BEARING | 5C030007 | 16002 ZZ BEARING | |
| 28 | 5S500010 | SEEGER Ø15 UNI 7435 | 5S500010 | SEEGER Ø15 UNI 7435 | |
| 31 | 5G010005 | MALE COUPLING | 5G010005 | MALE COUPLING | |
| 32 | 5G010001 | FEMALE COUPLING | 5G010001 | FEMALE COUPLING | |
| 33 | 3R010060 | LOWER ECCENTRIC ROLLER 420 | 3R010070 | LOWER ECCENTRIC ROLLER 420 | |
| 34 | 3R010055 | UPPER ECCENTRIC ROLLER 310 RP | 3R010055 | UPPER ECCENTRIC ROLLER 310 RP | |
| 35 | 3R020030 | FRONT DOUGH SCRAPER 420 | 3R020023 | FRONT DOUGH SCRAPER 420 | |
| 36 | 3T050025 | LOWER STAY ROD 420 | 3T050020 | LOWER STAY ROD 420 | |
| 37 | 3T050035 | LOWER STAY ROD 310 | 3T050035 | LOWER STAY ROD 310 | |
| 38 | 3A010016 | LOWER ECCENTRIC SHAFT 420 | 3A010024 | LOWER ECCENTRIC SHAFT 420 | |
| 39 | 3A010011 | LOWER ECCENTRIC SHAFT 310 | 3A010011 | LOWER ECCENTRIC SHAFT 310 | |
| 41 | 5M500005 | DOUGH SCRAPER SPRING | 5M500005 | DOUGH SCRAPER SPRING | |
| 42 | 5L500010 | UNI 6604-A 4X4X15 KEY | 5L500010 | UNI 6604-A 4X4X15 KEY | |
| 43 | 5M500001 | KNOB REGULATION SPRING | 5M500001 | KNOB REGULATION SPRING | |
| 45 | 4C010008 | BACK COVER 420 NEW | 4C010019 | BACK COVER 420 NEW | |
| 46 | 5R010001 | NMRV30 REDUCER | 5R010001 | NMRV30 REDUCER | |
| 47 | 5C020015 | 310 ROLL MACHINE BELT | 5C020015 | 310 ROLL MACHINE BELT | |
| 48 | 4P010017 | 420 RP NEW PLATE | 4P010026 | 420 RP NEW PLATE | |
| 50 | 4T010116 | 420 RP NEW CHASSIS | 4T010119 | 420 RP NEW CHASSIS | |
| 53 | 4S010010 | 420 RP UPPER SLIDE | 4S010010 | 420 RP UPPER SLIDE | |
| 55 | 4S010070 | 420 RP NEW LOWER SLIDE | 4S010045 | 420 RP NEW LOWER SLIDE | |
| 57 | 5L500020 | UNI 6604-A 5X5X20 KEY | 5L500020 | UNI 6604-A 5X5X20 KEY | |
| 58 | 7G010074 | 420 RP NEW UPPER ROLLER GROUP | 7G010074 | 420 RP NEW UPPER ROLLER GROUP | |

| | | | | |
|----|----------|----------------------------------|----------|----------------------------------|
| 59 | 4C010075 | UPPER PROTECTION GEAR SUPPORT RP | 4C010075 | UPPER PROTECTION GEAR SUPPORT RP |
| 60 | 4P020036 | 420 RP UPPER PROTECTION | 4P020036 | 420 RP UPPER PROTECTION |
| 61 | 4P020015 | 420 LOWER PROTECTION | 4P020045 | 420 LOWER PROTECTION |
| 62 | 4C010070 | PROTECTION GEAR SUPPORT | 4C010070 | PROTECTION GEAR SUPPORT |
| 63 | 7G010072 | 420 NEW LOWER ROLLER GROUP | 7G010076 | 420 NEW LOWER ROLLER GROUP |
| 64 | 5L500020 | UNI 6604-A 5X5X20 KEY | 5L500020 | UNI 6604-A 5X5X20 KEY |
| 65 | 5L500024 | UNI 6604-A 5X5X60 KEY | 5L500024 | UNI 6604-A 5X5X60 KEY |
| 67 | 4P030021 | DX FOOT 420 NEW | 4P030021 | DX FOOT 420 NEW |
| 70 | 5I100001 | SWITCH | 5I100001 | SWITCH |
| 72 | 4P030022 | SX FOOT 420 NEW | 4P030022 | SX FOOT 420 NEW |
| 73 | 5P020001 | PEDAL | 5P020001 | PEDAL |
| 74 | 5P200001 | PEDAL POWER | 5P200001 | PEDAL POWER |
| 75 | 5V050005 | 230V FAN | 5V050005 | 230V FAN |
| 78 | 3T300010 | ROLL MACHINE HOLDING BELT | 3T300010 | ROLL MACHINE HOLDING BELT |
| 79 | 3P010010 | ROLL MACHINE PULLEY | 3P010010 | ROLL MACHINE PULLEY |
| 80 | 5P100015 | Ø 6-10,5 CABLE PRESS | 5P100015 | Ø 6-10,5 CABLE PRESS |
| 81 | 5M020010 | ROLL MACHINE MOTOR 0,25KW 230V | 5M020010 | ROLL MACHINE MOTOR 0,25KW 230V |

| | 7I010002 | COMPLETE ECCENTRIC DUCT GEAR | 7I010002 | COMPLETE ECCENTRIC DUCT GEAR |
|------------|-----------------|-------------------------------------|-----------------|-------------------------------------|
| 30 | 3I010002 | ECCENTRIC GEAR HUB | 3I010002 | ECCENTRIC GEAR HUB |
| 16 | 5I200006 | STEEL DUCT GEAR | 5I200006 | STEEL DUCT GEAR |
| 15 | 5B100010 | BUSH | 5B100010 | BUSH |
| 29 (2x) | 5L500015 | UNI 6604-A 5X5X10 KEY | 5L500015 | UNI 6604-A 5X5X10 KEY |

| | 7I010001 | COMPLETE CYLINDRICAL DUCT GEAR | 7I010001 | COMPLETE CYLINDRICAL DUCT GEAR |
|------------|-----------------|---------------------------------------|-----------------|---------------------------------------|
| 14 | 3I010006 | CYLINDRICAL GEAR HUB | 3I010006 | CYLINDRICAL GEAR HUB |
| 16 | 5I200006 | STEEL DUCT GEAR | 5I200006 | STEEL DUCT GEAR |
| 15 | 5B100010 | BUSH | 5B100010 | BUSH |
| 29 (2x) | 5L500015 | UNI 6604-A 5X5X10 KEY | 5L500015 | UNI 6604-A 5X5X10 KEY |

*** EXPLODED REFERENCE TO SPARE PARTS ABOUT THE ROLLER GROUP, AT THE END MANUAL.**



| 310/1 ROLLING MACHINE | | |
|-----------------------|----------|----------------------------|
| POS. | ART. | DESCRIPTION |
| 1 | 5T100001 | PLUG STRAP |
| 2 | 5S500001 | SEEGER Ø10 UNI 7435 |
| 3 | 3P020001 | KNOB CONTROL |
| 5 | 5S510005 | CILINDRIC SHEET 3X14 |
| 6 | 3S010032 | LOWER ROLLERS SUPPORT |
| 9 | 3A010042 | CILINDRIC SHAFT 310 |
| 11 | 3R020005 | BACK DOUGH SCRAPER 310 |
| 12 | 3R010010 | LOWER CILINDRIC ROLLER 310 |
| 17 | 5A010001 | ELASTIC RING |
| 18 | 3A010076 | MOTOR SHAFT |
| 20 | 5C030000 | KBC 6202 ZZ BEARING |
| 21 | 5L500017 | UNI 6604-A 5X5X14 KEY |
| 22 | 5I200005 | DRIVING GEAR |
| 25 | 3S010007 | LOWER GEARS SUPPORT |
| 27 | 5C030007 | 16002 ZZ BEARING |
| 28 | 5S500010 | SEEGER Ø15 UNI 7435 |
| 31 | 5G010005 | MALE COUPLING |
| 32 | 5G010001 | FEMALE COUPLING |
| 33 | 3R010050 | LOWER ECCENTRIC ROLLER 310 |
| 35 | 3R020025 | FRONT DOUGH SCRAPER 310 |
| 36 | 3T050035 | LOWER STAY ROD 310 |
| 38 | 3A010011 | LOWER ECCENTRIC SHAFT 310 |
| 41 | 5M500005 | DOUGH SCRAPER SPRING |
| 42 | 5L500010 | UNI 6604-A 4X4X15 KEY |
| 43 | 5M500001 | KNOB REGULATION SPRING |
| 45 | 4C010004 | BACK COVER 310 |
| 46 | 5R010001 | NMRV30 REDUCER |
| 48 | 4P010004 | 310 PLATE |
| 50 | 4T010004 | 310 CHASSIS |
| 53 | 4S010020 | 310 UPPER SLIDE |
| 61 | 4P020037 | 310 LOWER PROTECTION |
| 62 | 4C010070 | PROTECTION GEAR SUPPORT |
| 63 | 7G010060 | 310/1 NEW ROLLER GROUP |
| 65 | 5L500024 | UNI 6604-A 5X5X60 KEY |
| 67 | 4P030002 | DX FOOT |
| 70 | 5I100001 | SWITCH |

| 500/1 ROLLING MACHINE | | |
|-----------------------|----------|----------------------------|
| POS. | ART. | DESCRIPTION |
| 1 | 5T100001 | PLUG STRAP |
| 2 | 5S500001 | SEEGER Ø10 UNI 7435 |
| 3 | 3P020001 | KNOB CONTROL |
| 5 | 5S510005 | CILINDRIC SHEET 3X14 |
| 6 | 3S010032 | LOWER ROLLERS SUPPORT |
| 9 | 3A010054 | CILINDRIC SHAFT 500 |
| 11 | 3R020003 | BACK DOUGH SCRAPER 420 |
| 12 | 3R010030 | LOWER CILINDRIC ROLLER 500 |
| 17 | 5A010001 | ELASTIC RING |
| 18 | 3A010076 | MOTOR SHAFT |
| 20 | 5C030000 | KBC 6202 ZZ BEARING |
| 21 | 5L500017 | UNI 6604-A 5X5X14 KEY |
| 22 | 5I200005 | DRIVING GEAR |
| 25 | 3S010007 | LOWER GEARS SUPPORT |
| 27 | 5C030007 | 16002 ZZ BEARING |
| 28 | 5S500010 | SEEGER Ø15 UNI 7435 |
| 31 | 5G010005 | MALE COUPLING |
| 32 | 5G010001 | FEMALE COUPLING |
| 33 | 3R010070 | LOWER ECCENTRIC ROLLER 500 |
| 35 | 3R020023 | FRONT DOUGH SCRAPER 500 |
| 36 | 3T050020 | LOWER STAY ROD 500 |
| 38 | 3A010024 | LOWER ECCENTRIC SHAFT 500 |
| 41 | 5M500005 | DOUGH SCRAPER SPRING |
| 42 | 5L500010 | UNI 6604-A 4X4X15 KEY |
| 43 | 5M500001 | KNOB REGULATION SPRING |
| 45 | 4C010015 | BACK COVER 500 |
| 46 | 5R010001 | NMRV30 REDUCER |
| 48 | 4P010020 | 500 PLATE |
| 50 | 4T010030 | 500 CHASSIS |
| 53 | 4S010050 | 500 UPPER SLIDE |
| 61 | 4P020044 | 500 LOWER PROTECTION |
| 62 | 4C010070 | PROTECTION GEAR SUPPORT |
| 63 | 7G010064 | 500 NEW ROLLER GROUP |
| 65 | 5L500001 | UNI 6604-A 6X6X60 KEY |
| 67 | 4P030002 | DX FOOT |
| 70 | 5I100001 | SWITCH |

| | | |
|----|----------|--------------------------------|
| 72 | 4P030006 | SX FOOT |
| 73 | 5P020001 | PEDAL |
| 74 | 5P200001 | PEDAL POWER |
| 75 | 5V050005 | 230V FAN |
| 80 | 5P100015 | Ø 6-10,5 CABLE PRESS |
| 81 | 5M020010 | ROLL MACHINE MOTOR 0,25KW 230V |

| | | |
|----|----------|--------------------------------|
| 72 | 4P030006 | SX FOOT |
| 73 | 5P020001 | PEDAL |
| 74 | 5P200001 | PEDAL POWER |
| 75 | 5V050005 | 230V FAN |
| 80 | 5P100015 | Ø 6-10,5 CABLE PRESS |
| 81 | 5M020010 | ROLL MACHINE MOTOR 0,25KW 230V |

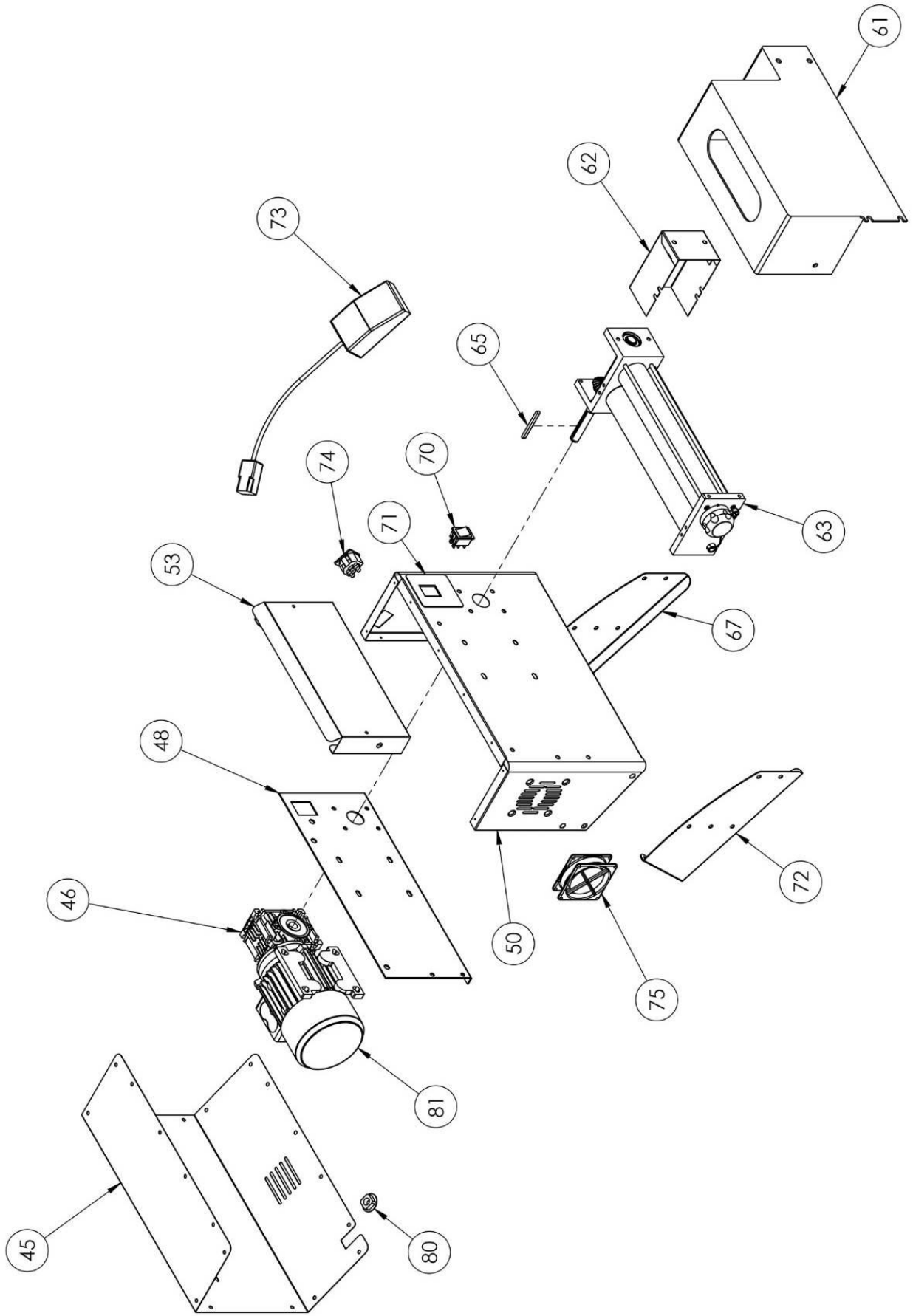
| | 71010001 | COMPLETE CYLINDRICAL DUCT GEAR |
|------------|-----------------|---------------------------------------|
| 14 | 3I010006 | CYLINDRICAL GEAR HUB |
| 15 | 5B100010 | BUSH |
| 16 | 5I200006 | STEEL DUCT GEAR |
| 29 (2x) | 5L500015 | UNI 6604-A 5X5X10 KEY |

| | 71010001 | COMPLETE CYLINDRICAL DUCT GEAR |
|------------|-----------------|---------------------------------------|
| 14 | 3I010006 | CYLINDRICAL GEAR HUB |
| 15 | 5B100010 | BUSH |
| 16 | 5I200006 | STEEL DUCT GEAR |
| 29 (2x) | 5L500015 | UNI 6604-A 5X5X10 KEY |

| | 71010002 | COMPLETE ECCENTRIC DUCT GEAR |
|------------|-----------------|-------------------------------------|
| 15 | 5B100010 | BUSH |
| 16 | 5I200006 | STEEL DUCT GEAR |
| 29 (2x) | 5L500015 | UNI 6604-A 5X5X10 KEY |
| 30 | 3I010002 | ECCENTRIC GEAR HUB |

| | 71010002 | COMPLETE ECCENTRIC DUCT GEAR |
|------------|-----------------|-------------------------------------|
| 15 | 5B100010 | BUSH |
| 16 | 5I200006 | STEEL DUCT GEAR |
| 29 (2x) | 5L500015 | UNI 6604-A 5X5X10 KEY |
| 30 | 3I010002 | ECCENTRIC GEAR HUB |

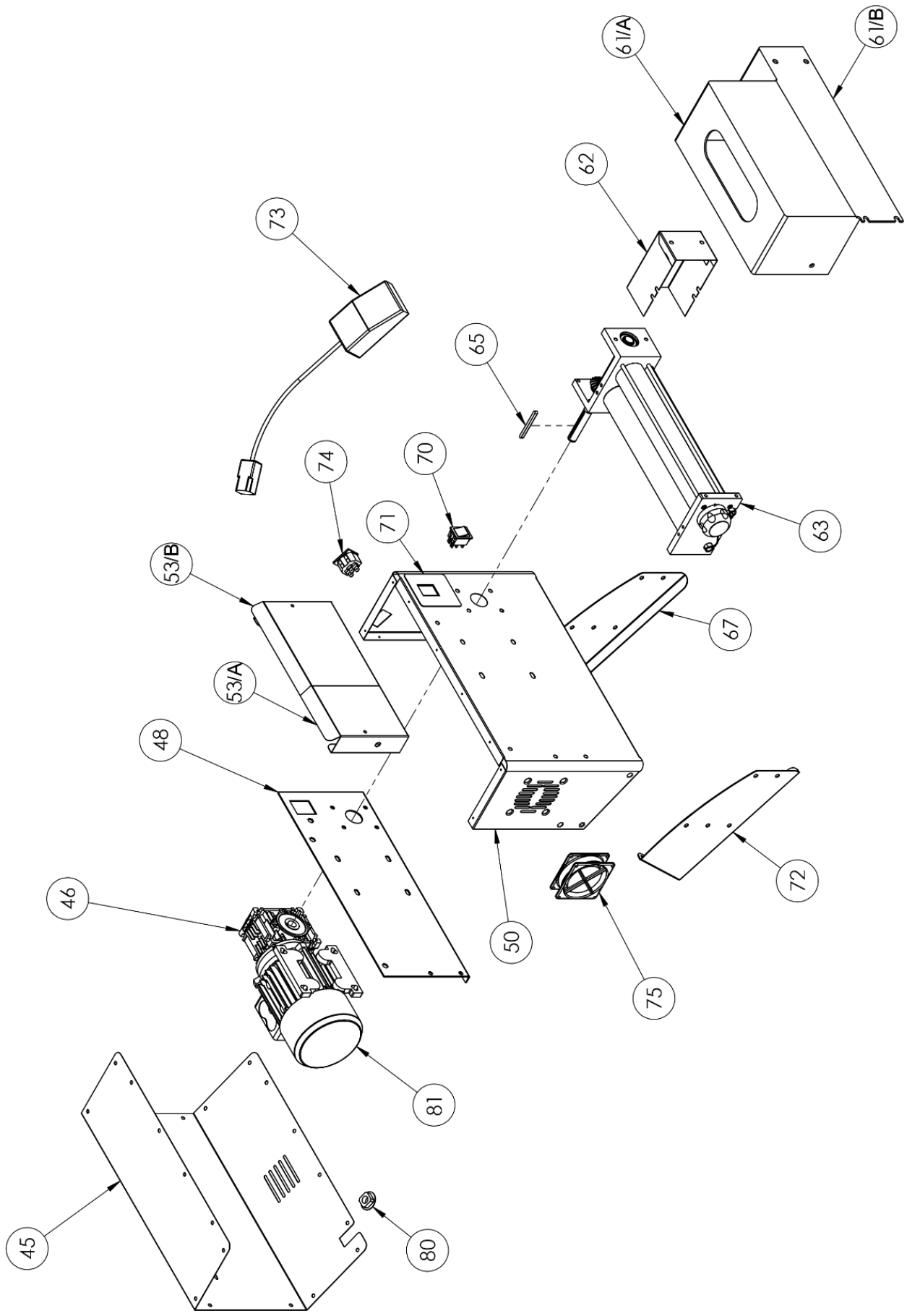
*** EXPLODED REFERENCE TO SPARE PARTS ABOUT THE ROLLER GROUP, AT THE END MANUAL.**



310/2 ROLLING MACHINE

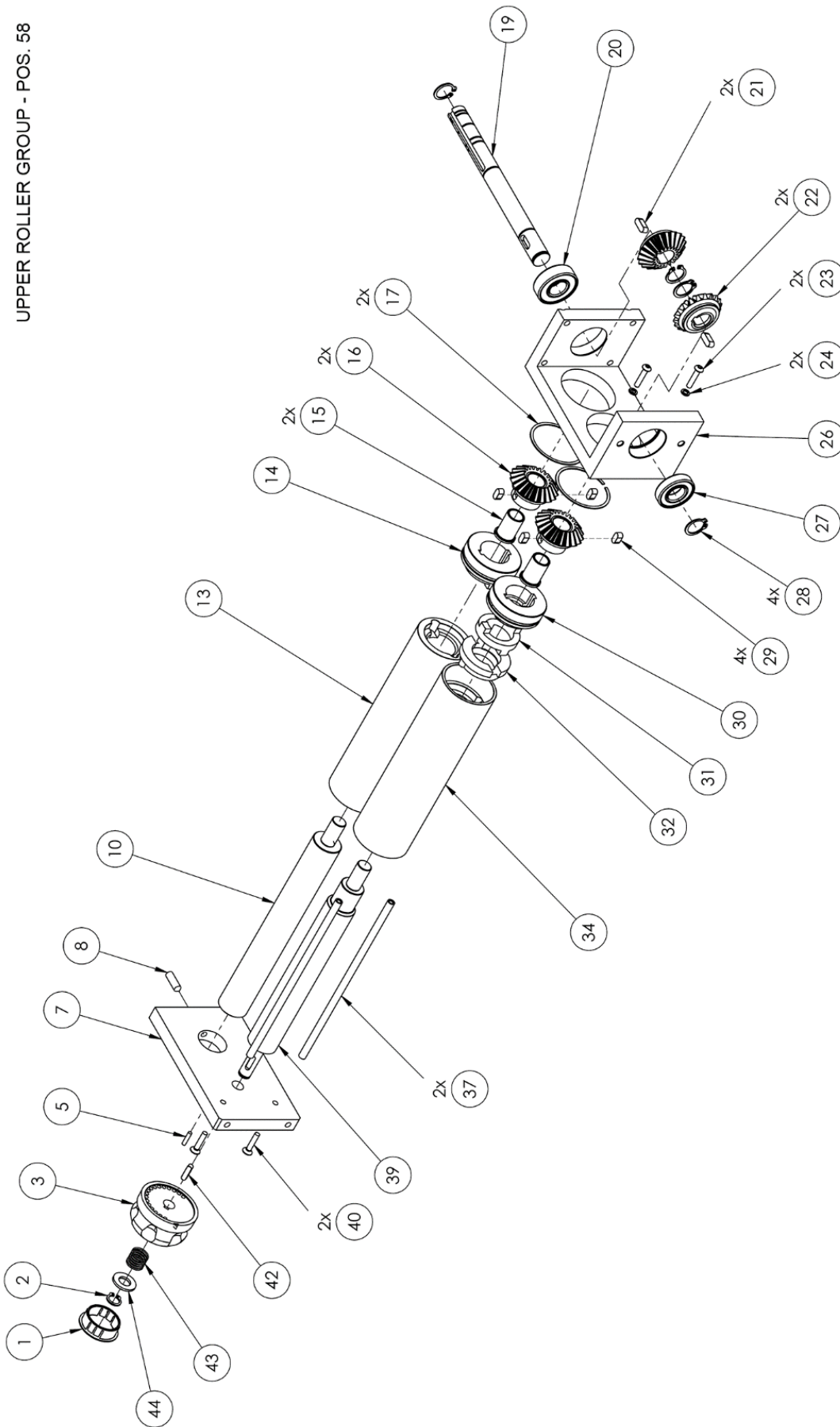
| POS. | ART. | DESCRIPTION | | | |
|------|----------|--------------------------------|------------|----------|--------------------------------|
| 1 | 5T100001 | PLUG STRAP | | 71010001 | COMPLETE CYLINDRICAL DUCT GEAR |
| 2 | 5S500001 | SEEGER Ø10 UNI 7435 | 14 | 3I010006 | CYLINDRICAL GEAR HUB |
| 3 | 3P020001 | KNOB CONTROL | 15 | 5B100010 | BUSH |
| 5 | 5S510005 | CILINDRIC SHEET 3X14 | 16 | 5I200006 | STEEL DUCT GEAR |
| 6 | 3S010032 | LOWER ROLLERS SUPPORT | 29 (2x) | 5L500015 | UNI 6604-A 5X5X10 KEY |
| 9 | 3A010051 | 310/2 CILINDRIC SHAFT | | | |
| 11 | 3R020001 | 310/2 BACK DOUGH SCRAPER | | 71010002 | COMPLETE ECCENTRIC DUCT GEAR |
| 12 | 3R010025 | 310/2 LOWER CILINDRIC ROLLER | 15 | 5B100010 | BUSH |
| 17 | 5A010001 | ELASTIC RING | 16 | 5I200006 | STEEL DUCT GEAR |
| 18 | 3A010076 | MOTOR SHAFT | 29 (2x) | 5L500015 | UNI 6604-A 5X5X10 KEY |
| 20 | 5C030000 | KBC 6202 ZZ BEARING | 30 | 3I010002 | ECCENTRIC GEAR HUB |
| 21 | 5L500017 | UNI 6604-A 5X5X14 KEY | | | |
| 22 | 5I200005 | DRIVING GEAR | | | |
| 25 | 3S010007 | LOWER GEARS SUPPORT | | | |
| 27 | 5C030007 | 16002 2Z BEARING | | | |
| 28 | 5S500010 | SEEGER Ø15 UNI 7435 | | | |
| 31 | 5G010005 | MALE COUPLING | | | |
| 32 | 5G010001 | FEMALE COUPLING | | | |
| 33 | 3R010065 | 310/2 LOWER ECCENTRIC ROLLER | | | |
| 35 | 3R020020 | 310/2 FRONT DOUGH SCRAPER | | | |
| 36 | 3T050045 | 310/2 LOWER STAY ROD | | | |
| 38 | 3A010021 | 310/2 LOWER ECCENTRIC SHAFT | | | |
| 41 | 5M500005 | DOUGH SCRAPER SPRING | | | |
| 42 | 5L500010 | UNI 6604-A 4X4X15 KEY | | | |
| 43 | 5M500001 | KNOB REGULATION SPRING | | | |
| 45 | 4C010003 | 310/2 BACK COVER | | | |
| 46 | 5R010001 | NMRV30 REDUCER | | | |
| 48 | 4P010003 | 310/2 PLATE | | | |
| 50 | 4T010003 | 310/2 CHASSIS | | | |
| 53/A | 4S010010 | - 420 RP / 310/2 UPPER SLIDE | | | |
| 53/B | 4S010001 | 310/2 UPPER SLIDE | | | |
| 61/A | 4P020040 | 310/2 UPPER PROTECTION | | | |
| 61/B | 4P020041 | 310/2 LOWER PROTECTION | | | |
| 62 | 4C010070 | PROTECTION GEAR SUPPORT | | | |
| 63 | 7G010062 | 310/2 NEW ROLLER GROUP | | | |
| 65 | 5L500024 | UNI 6604-A 5X5X60 KEY | | | |
| 67 | 4P030002 | DX FOOT | | | |
| 70 | 5I100001 | SWITCH | | | |
| 72 | 4P030006 | SX FOOT | | | |
| 73 | 5P020001 | PEDAL | | | |
| 74 | 5P200001 | PEDAL POWER | | | |
| 75 | 5V050005 | 230V FAN | | | |
| 80 | 5P100015 | Ø 6-10,5 CABLE PRESS | | | |
| 81 | 5M020010 | ROLL MACHINE MOTOR 0,25KW 230V | | | |

*** EXPLODED REFERENCE TO SPARE PARTS ABOUT THE ROLLER GROUP, AT THE END MANUAL.**



**EXPLODED ROLLER GROUP
UPPER FOR 310-420 NEW; 310-420 TG NEW; 420-500 RP NEW**

UPPER ROLLER GROUP - POS. 58



LOWER FOR ALL ROLLING MACHINES

LOWER ROLLER GROUP - POS. 63

