

Ersatzteilzeichnung Außengehäuse Tischgeräte P3  
Spare part drawing outer casing tabletop units P3

ETZ A - AG 1234 P3 1 / 1

**A**

6.10  
6.20  
10.10  
10.20



Art. Nr. 9825276\_00 | 14.7.2009 | Änderungen vorbehalten! Changes excepted!

gültig ab / valid from:  
gültig bis / valid to:

Vorgängerversion / previous version:  
Nachfolgeversion / follow-up version:

Enodis  
Talstraße 35  
D- 82436 Egfling | Germany

Tel. +49(0)8847/67-0  
Fax +49(0)8847/414  
info@hotairsteamer.com



# Ersatzteilzeichnung Tür Tischgeräte P3 Spare part drawing door tabletop units P3

ETZ B - Tür 1234 P3 1 / 1

# B

6.10  
6.20  
10.10  
10.20



Art. Nr. 9825280\_00 | 14.7.2009 | Änderungen vorbehalten! Changes excepted!

|                         |                                       |
|-------------------------|---------------------------------------|
| gültig ab / valid from: | Vorgängerversion / previous version:  |
| gültig bis / valid to:  | Nachfolgeversion / follow-up version: |

Enodis  
Talstraße 35  
D- 82436 Egfling | Germany

Tel. +49(0)8847/67-0  
Fax +49(0)8847/414  
info@hotairsteamer.com



# Ersatzteilzeichnung Bedienblende P3 Spare part drawing operating panel P3

ETZ C - BM P3 1 / 1

# C

6.10  
6.20  
10.10  
10.20  
12.20  
20.10  
20.20



Art. Nr. 9825283\_00 | 14.7.2009 | Änderungen vorbehalten! Changes excepted!

|                         |                                       |
|-------------------------|---------------------------------------|
| gültig ab / valid from: | Vorgängerversion / previous version:  |
| gültig bis / valid to:  | Nachfolgeversion / follow-up version: |

Enodis  
Talstraße 35  
D- 82436 Egfling | Germany

Tel. +49(0)8847/67-0  
Fax +49(0)8847/414  
info@hotairsteamer.com

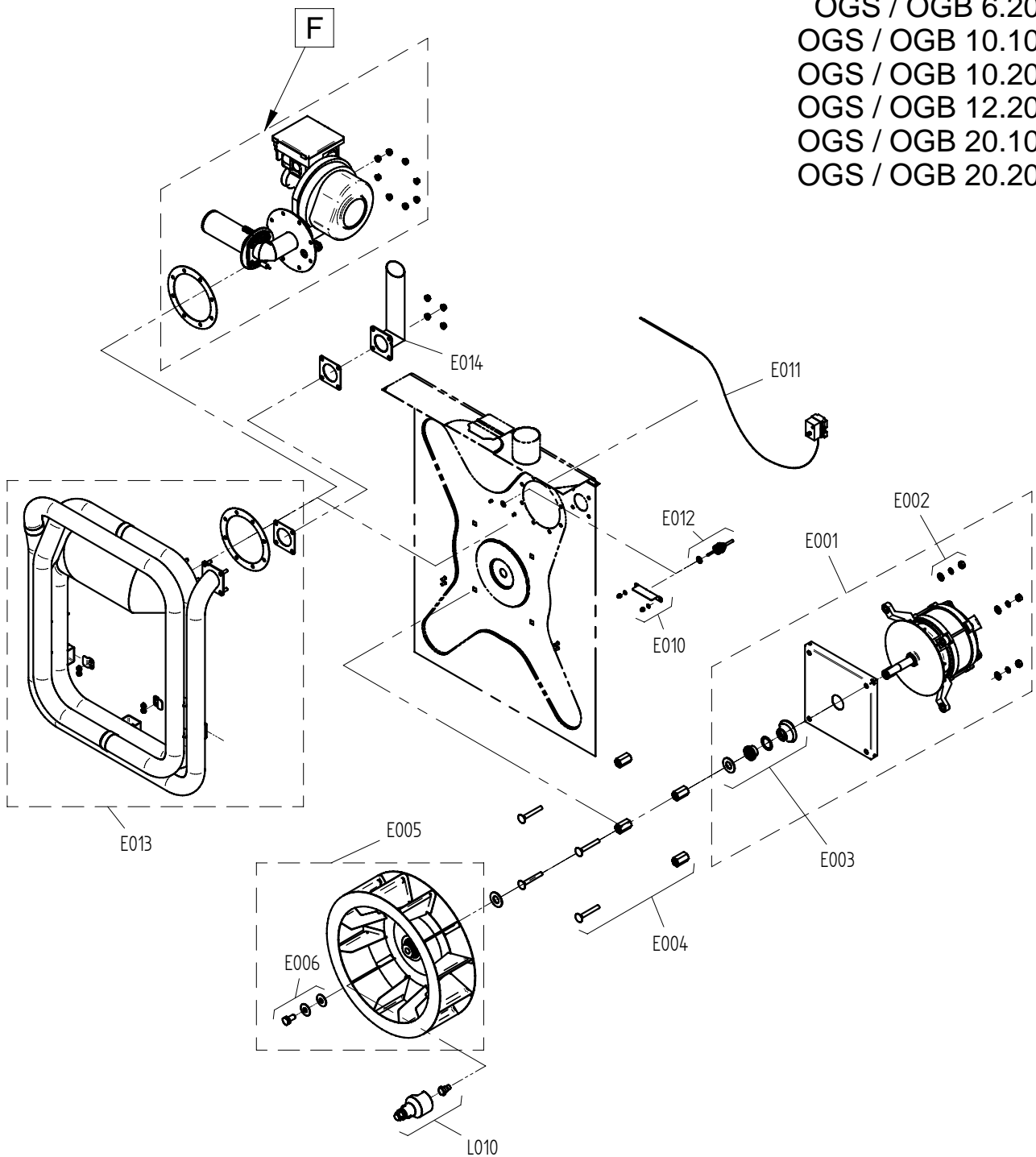


Ersatzteilzeichnung Heissluffterzeugung Gas P3  
Spare part drawing gas heating system P3

ETZ E - HL-Heizung GAS P3 1 / 1

**E**

OGS / OGB 6.10  
OGS / OGB 6.20  
OGS / OGB 10.10  
OGS / OGB 10.20  
OGS / OGB 12.20  
OGS / OGB 20.10  
OGS / OGB 20.20



Art. Nr. 9825297\_00 | 14.7.2009 | Änderungen vorbehalten! Changes excepted!

gültig ab / valid from:  
gültig bis / valid to:

Vorgängerversion / previous version:  
Nachfolgeversion / follow-up version:

Enodis  
Talstraße 35  
D- 82436 Egfling | Germany

Tel. +49(0)8847/67-0  
Fax +49(0)8847/414  
info@hotairsteamer.com

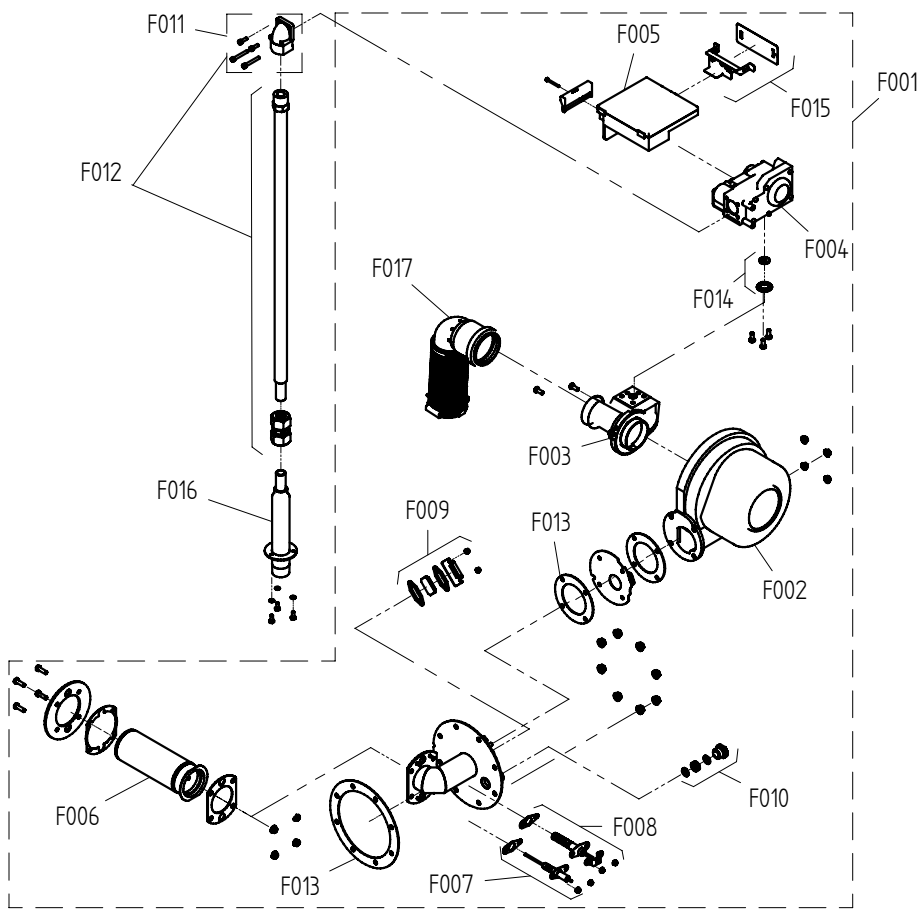


# Ersatzteilzeichnung Gas Brenneinheit P3 Spare part drawing gas burner unit P3

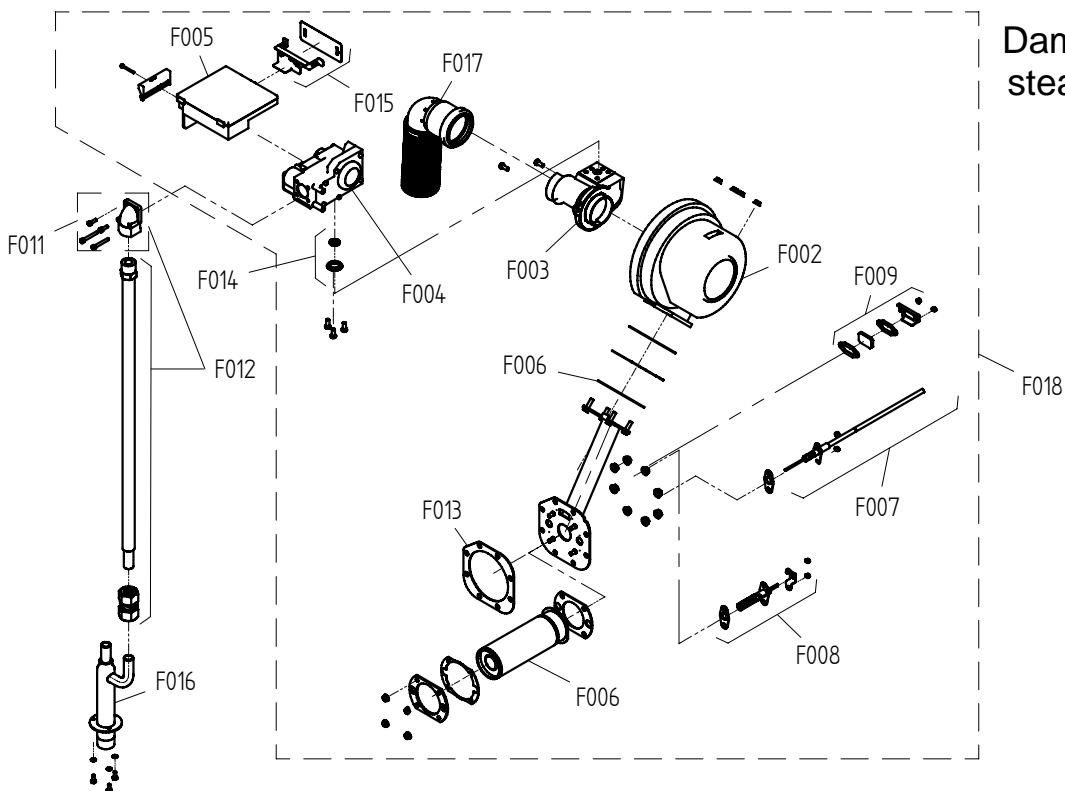
ETZ F - Brenneinheit GAS P3 1 / 1

# F

Heissluftheizung /  
hot air heating  
OGS / OGB 6.10  
OGS / OGB 6.20  
OGS / OGB 10.10  
OGS / OGB 10.20  
OGS / OGB 12.20  
OGS / OGB 20.10  
OGS / OGB 20.20



Dampferzeuger /  
steam generator  
OGB 6.10  
OGB 6.20  
OGB 10.10  
OGB 10.20  
OGB 12.20  
OGB 20.10  
OGB 20.20



gültig ab / valid from:  
gültig bis / valid to:

Vorgängerversion / previous version:  
Nachfolgeverson / follow-up version:

Enodis  
Talstraße 35  
D- 82436 Egfling | Germany

Tel. +49(0)8847/67-0  
Fax +49(0)8847/414  
info@hotairsteamer.com

**Manitowoc**

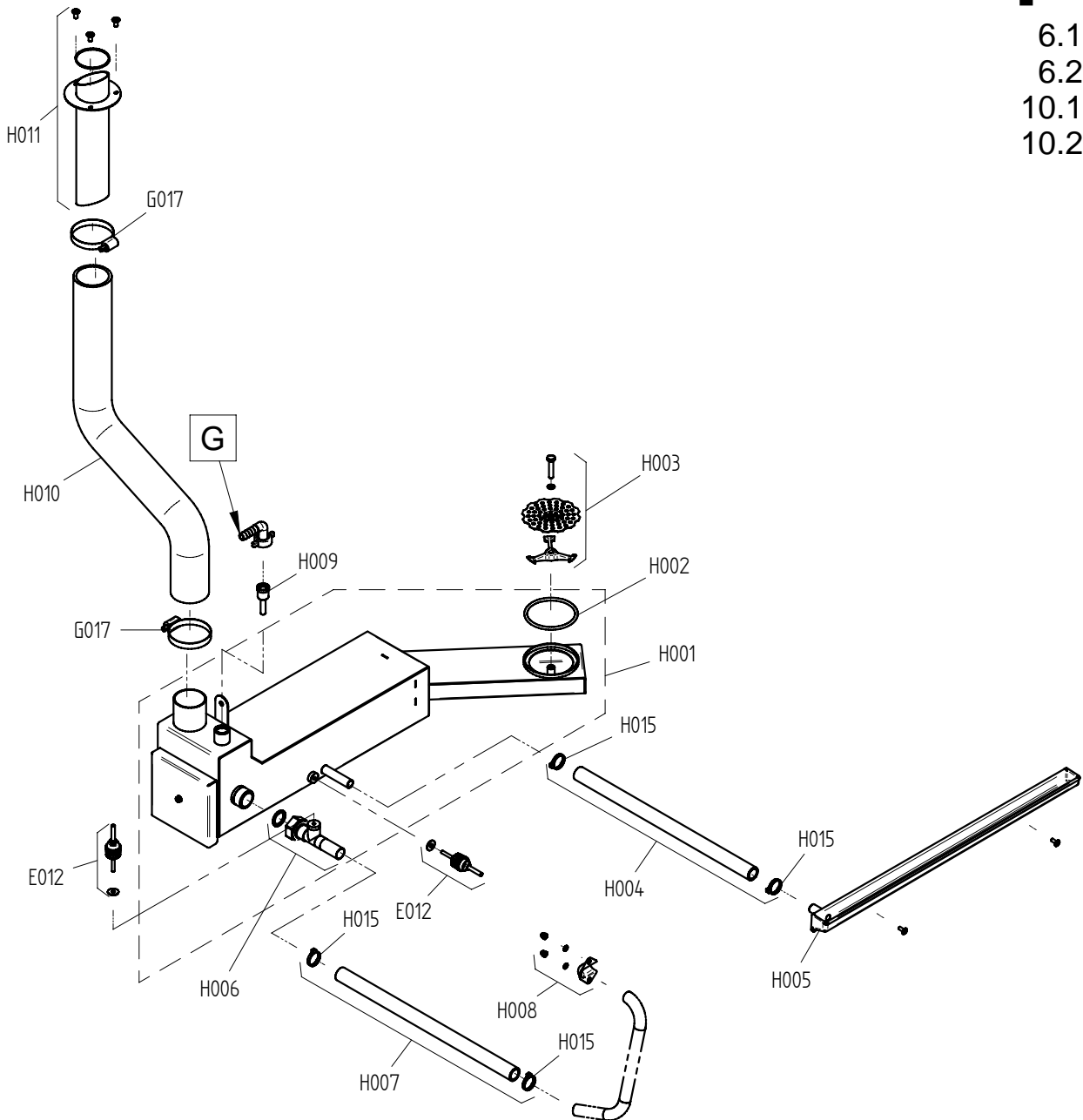
Art. Nr. 9825300\_00 | 14.7.2009 | Änderungen vorbehalten! Changes excepted!



# Ersatzteilzeichnung Abwasserentsorgung Tischgeräte P3 Spare part drawing sewage disposal tabletop units P3

ETZ H - Abwasser 1234 P3 1 / 1

**H**  
6.10  
6.20  
10.10  
10.20



Art. Nr. 9825307\_00 | 14.7.2009 | Änderungen vorbehalten! Changes excepted!

|                         |                                       |
|-------------------------|---------------------------------------|
| gültig ab / valid from: | Vorgängerversion / previous version:  |
| gültig bis / valid to:  | Nachfolgeversion / follow-up version: |

Enodis  
Talstraße 35  
D- 82436 Egfling | Germany

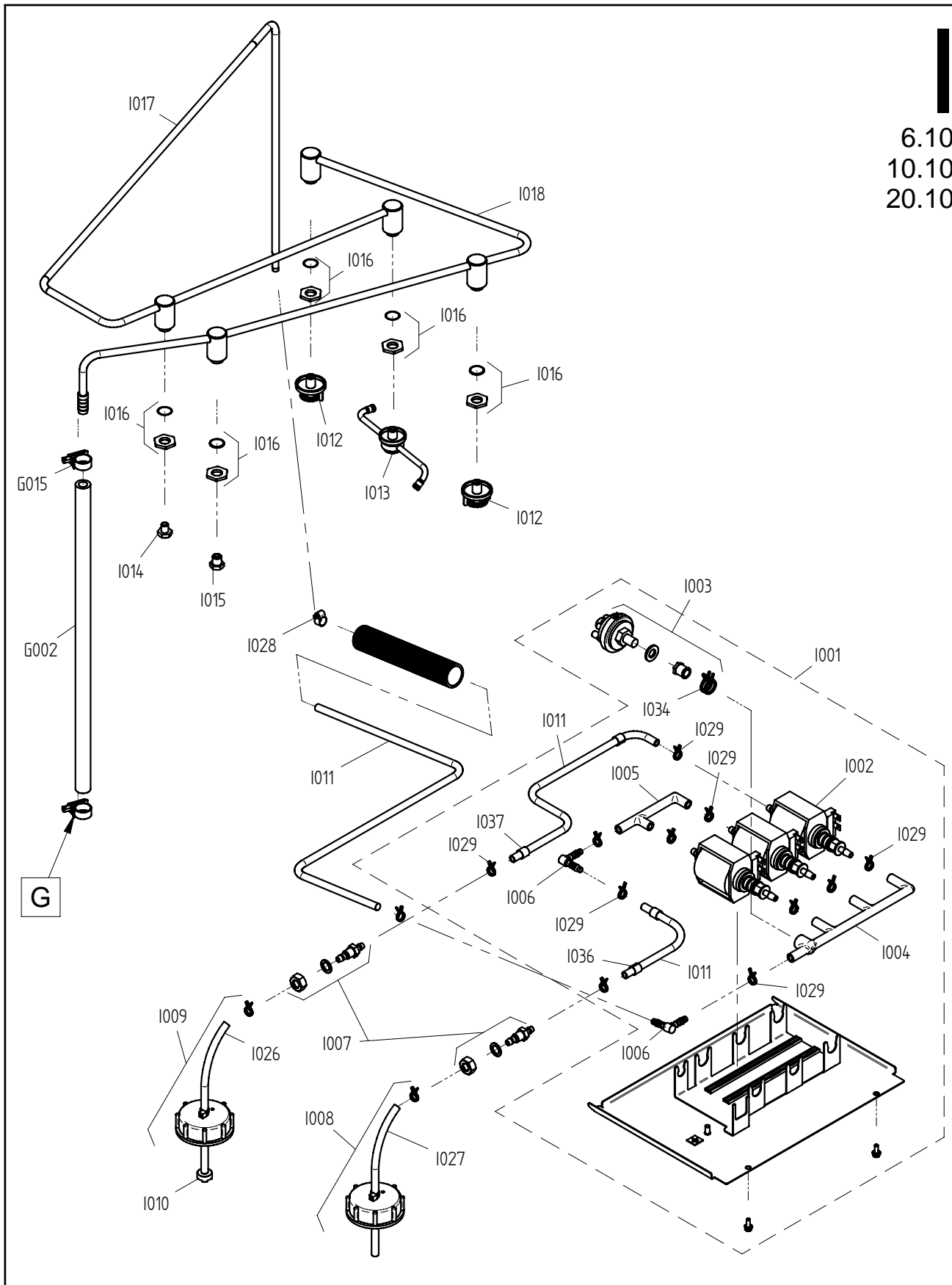
Tel. +49(0)8847/67-0  
Fax +49(0)8847/414  
info@hotairsteamer.com



# Ersatzteilzeichnung CONVOClean system P3 Spare part drawing CONVOClean system P3

ETZ I - CC 136 P3 1 / 1

6.10  
10.10  
20.10



Art. Nr. 9825311\_00 | 14.7.2009 | Änderungen vorbehalten! Changes excepted!

|                         |                                       |
|-------------------------|---------------------------------------|
| gültig ab / valid from: | Vorgängerversion / previous version:  |
| gültig bis / valid to:  | Nachfolgeversion / follow-up version: |

Enodis  
Talstraße 35  
D- 82436 Egfling | Germany

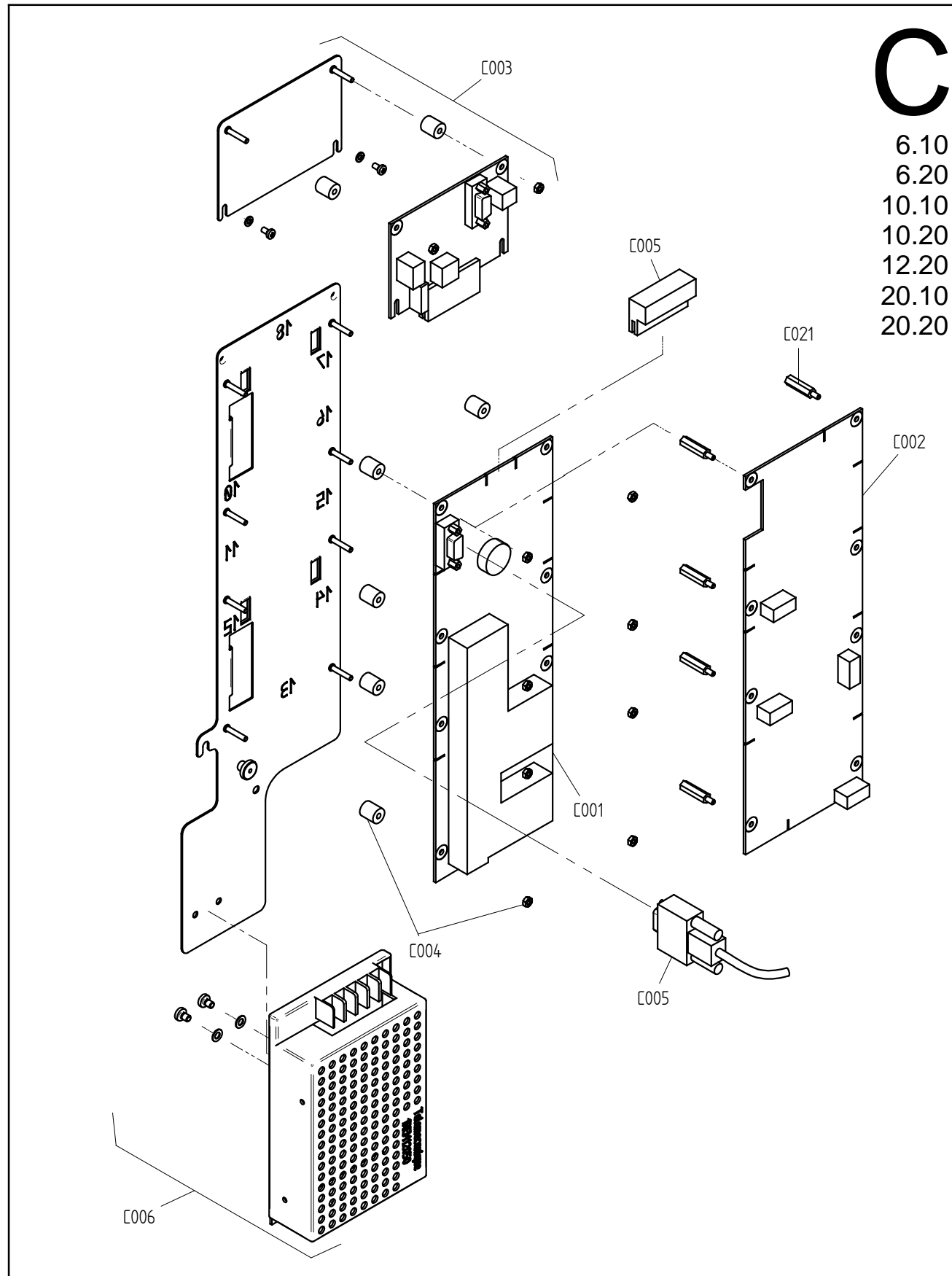
Tel. +49(0)8847/67-0  
Fax +49(0)8847/414  
info@hotairsteamer.com





# Ersatzteilzeichnung Steuerung P3 Spare part drawing control boards P3

ETZ C - SM GM NT kpl P3 1 / 1



Art. Nr. 9825326\_00 | 09.03.2010 | Änderungen vorbehalten! Changes excepted!

gültig ab / valid from: 12.02.2010

Vorgängerversion / previous version: 9825282

gültig bis / valid to:

Nachfolgeversion / follow-up version:

Enodis  
Talstraße 35  
D- 82436 Eglfing | Germany

Tel. +49(0)8847/67-0  
Fax +49(0)8847/414  
info@hotairsteamer.com

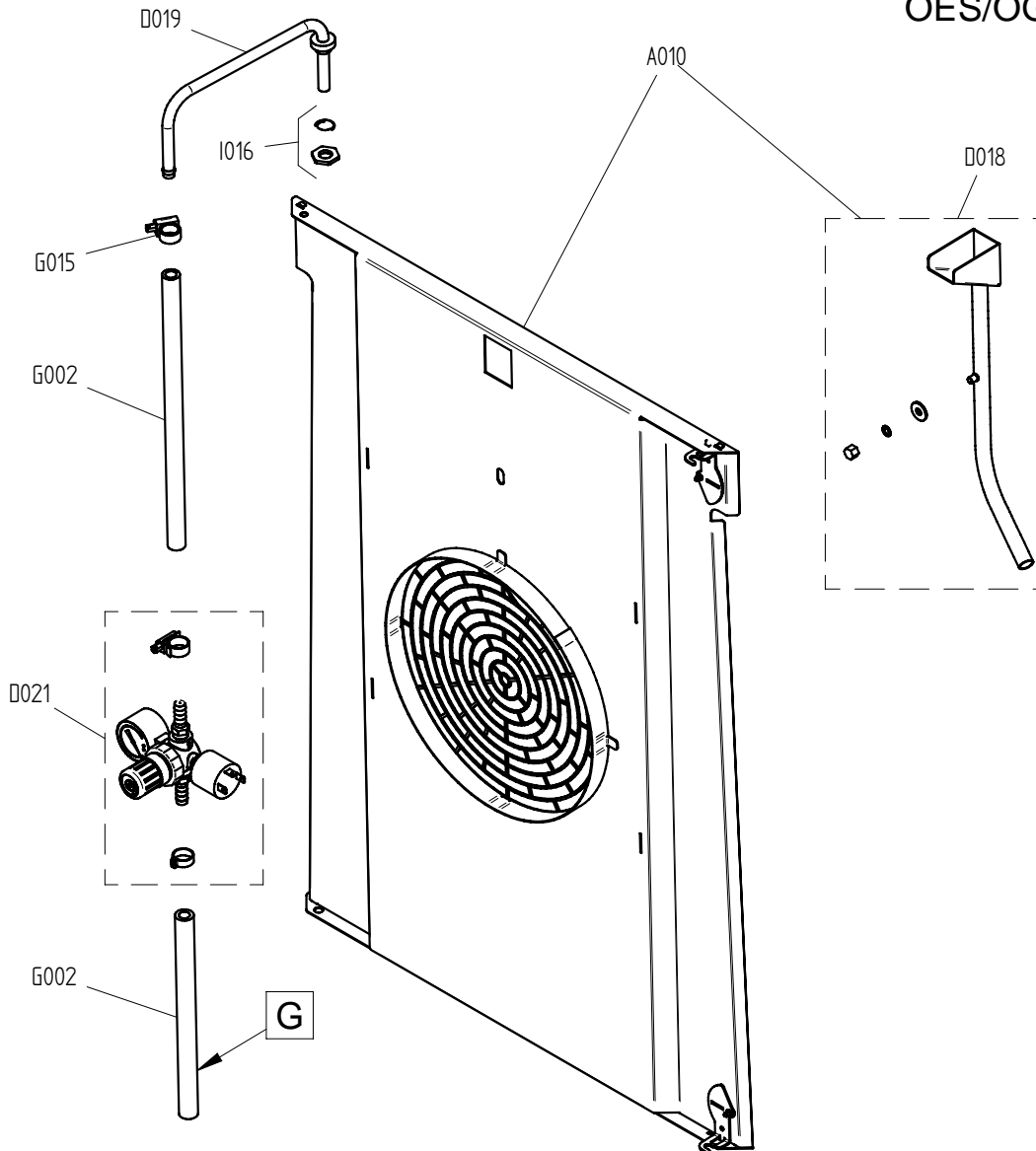


Ersatzteilzeichnung Einspritzung einfach P3  
Spare part drawing single injection P3

ETZ D - IN einfach P3 1 / 1

**D**

OES/OGS 6.10  
OES/OGS 6.20  
OES/OGS 10.10  
OES/OGS 10.20  
OES/OGS 12.20



Art. Nr. 9826500\_01 | 3.2.2010 | Änderungen vorbehalten! Changes excepted!

gültig ab / valid from: 03.09.2009  
gültig bis / valid to:

Vorgängerversion / previous version: 9825292  
Nachfolgeversion / follow-up version:

Enodis  
Talstraße 35  
D- 82436 Egfling | Germany

Tel. +49(0)8847/67-0  
Fax +49(0)8847/414  
info@hotairsteamer.com



|      |            |  |
|------|------------|--|
| A001 | - 2117413  | - Left side panel 10.10 P3   |
| A002 | - 2117433  | - Rear panel OES/OEB/OGS 10.10   |
| A003 | - 2115443  | - Front section 10.10 P3   |
| A004 | - 2114634  | - Rear left corner section 10.10/10.20 P3                                      |
| A005 | - 2118230  | - Cover OGS 10.10  |
| A006 | - 2119228  | - Condenser cover P3   |
| A007 | - 2618779  | - 230V 25W light bulb set with seal  |
| A008 | - 2618780  | - Oven-compartment light set including reflector                               |
| A009 | - 7011002  | - Door hygienic plug-in gasket 10.10 P3  |
| A010 | - 2223650  | - Suction panel OES/OGS 10.10  |
| A011 | - 2217004  | - Left shelf rack 10.10 for CONVOClean system P3                               |
| A012 | - 2217067  | - Right shelf rack 10.10 for CONVOClean system P3                              |
| A013 | - 5013001  | - Multipoint core temperature sensor with screw connection P3                  |
| A014 | - 6015026  | - Seal for core temperature sensor P3  |
| A016 | - 2608962  | - Low pressure cutout P3   |
| A017 | - 2216090  | - Secondary fan P3 with fixing accessories                                     |
| A018 | - 5018040  | - Secondary fan P3   |
| A019 | - 6004044  | - Appliance foot for P3 table-top appliances, adjustable height                |
| A029 | - 7003066  | - Gasket 9x3mm   |
| A030 | - 5016001K | - Cable gland M25  |
| A031 | - 6005068  | - 44x5 mm seal for low pressure cutout P3                                      |
| A032 | - 6005427  | - Grommet, diameter 83 (DG 60)   |
| B001 | - 2520410  | - Door assembly 10.10 P3   |
| B002 | - 2518481  | - Interior door 10.10 P3 with fixing accessories                               |
| B003 | - 2525040  | - Door handle P3 Hygienic antibacterial w.fixing accessories                   |
| B004 | - 6015248  | - Catch for interior door of table-top appliances P3                           |
| B005 | - 2014005  | - Silicon door clip P3   |
| B006 | - 6015200  | - Door spacer P3   |
| B007 | - 2517292  | - Set of top and bottom interior-door hinges P3 with fixing accessories        |
| B009 | - 2014007  | - Hinge plate for top of door P3   |
| B010 | - 2014003  | - Hinge plate for bottom of door P3  |
| B011 | - 2616469  | - Door drip tray 6.10/10.10 P3   |
| B012 | - 2618219  | - Slide panel assembly for disappearing door 10.10 P3                          |
| B013 | - 2123272  | - Slide panel cover for disappearing door 10.10/10.20 P3                       |
| B014 | - 2619152  | - Catch block on slide panel for disappearing door P3 with fixing accessories  |
| B015 | - 2523667  | - Top and bottom hinge arm P3 with fixing accessories                          |
| B016 | - 2619141  | - Guide roller for disappearing door P3 with fixing accessories                |
| B017 | - 2619156  | - Retaining block for disappearing door P3 with fixing accessories             |
| B018 | - 2619153  | - Door stop for disappearing door P3 with fixing accessories                   |
| B019 | - 2619154  | - Support bar for disappearing door P3 with fixing accessories                 |
| B020 | - 2619138  | - Guide rail for disappearing door 6.10/10.10 P3 with fixing accessories       |
| B021 | - 2619155  | - Guide strip for disappearing door P3 with fixing accessories                 |
| B022 | - 2117280  | - Buffer for disappearing door P3 with fixing accessories                      |
| B023 | - 2614740  | - Guide fixing bracket for door on table-top appliances P3                     |
| B024 | - 2216070  | - Door catch block P3 with fixing accessories                                  |
| B025 | - 2518798  | - Door contact switch OES mini   |
| B030 | - 2619144  | - slide panel 10.10 P3 including guide rail and fixing accessories             |
| B033 | - 6002056  | - Plastic plug for door latch  |
| C001 | - 5019406  | - 5010 controller for SM control module P3                                     |
| C004 | - 2618785  | - Fixing accessories for controller P2 P3 OES mini                             |
| C005 | - 5009304  | - Connecting cable between control module and operating module P2 P3           |
| C006 | - 2619973  | - Retrofit kit for supply module (P2, P3, OES mini)                            |
| C007 | - 5019300  | - 5010 controller for BM operating module P3                                   |
| C008 | - 5019304  | - 5010 controller for PG Press&Go module P3                                    |
| C009 | - 2117302  | - Press&Go CONVOTHERM front panel OES/OGS                                      |
| C010 | - 5009320  | - Adjusting switch assembly for operating module P2 P3 OES mini                |
| D018 | - 2224792  | - Injector J-distributor OES/OGS 10.10 with fixing accessories                 |
| D019 | - 2016305  | - Injection pipe OES/OGS 6.10/10.10/20.10                                      |
| D021 | - 2226366  | - pr.regulator w. nozzle 0.6mm, pr.switch and pr.gage OES/OGS 6.20/10.10/20.10 |
| E001 | - 2617286  | - Motor 6.10/6.20/10.10/20.10 P3 all voltages                                  |
| E002 | - 2617294  | - Set of fixing parts for motor and fan P3                                     |
| E003 | - 2617295  | - Set of seals for motor shaft P3  |
| E004 | - 2625109  | - Set of motor pins P3   |
| E005 | - 2619958  | - Fan wheel, diameter 350 mm P3  |
| E006 | - 2617293  | - Set of fan fixing parts P3   |
| E010 | - 2217278  | - Shielding plate for oven sensor OGS 6.10/ OES/OGS 10.10/20.10                |
| E011 | - 5001041  | - Oven thermal cutout (340°C)  |
| E012 | - 5016014K | - Thermocouple sensor P3 / OES mini  |
| E013 | - 2623208  | - ConvectorheatexchangerOGS20.10 ex. burner unit, with fixing accessories      |
| E014 | - 2012202  | - Gas flue pipe for convector OGS/OGB 10.10 insulated                          |
| F001 | - 2625982  | - Burnerunit assembly for convectorOGS/OGB10.10/20.10with fixing accessories   |
| F002 | - 5018000  | - Burner fan RG128 230V P3   |
| F003 | - 6016000  | - Venturi 40kW P3  |
| F004 | - 6016010  | - Gas valve 230V P3  |

F005 - 6016021 - Automatic firing device 230V (S4575B 3066)  
 F006 - 2010014 - Burner Ø50M150 20kW P3  
 F007 - 2617320 - Monitoring electrode OGS/OGB with fixing accessories  
 F008 - 2617321 - Incandescence ignition electrode, short, OGS/OGB with fixing accessories  
 F009 - 2617323 - Burner inspection window P3 with fixing accessories  
 F010 - 2625120 - Burner cable gland with seal OGS/OGB  
 F011 - 2625121 - Gas pipe connecting bracket P3 with fixing accessories  
 F012 - 2616517 - Gas pipe 780mm long P3 with fixing accessories  
 F013 - 2618161 - Set of gaskets for burner 12-20kW P3  
 F014 - 2615312 - Natural gas conversion set E/G20 P3  
 F014 - 2615313 - Butane-propane gas conversion set G30/G31 P3  
 F014 - 2615315 - LPG P gas conversion set (Japan) P3  
 F015 - 2618140K - Connector protective sheet f. automatic firing device P3 with mountg. bracket  
 F016 - 2010065 - Single gas connection R3/4" P3  
 F017 - 2615343 - Right-angle air intake pipe for burner P3  
 G001 - 5001059 - Single solenoid valve, straight 220/240V  
 G001 - 5011000 - Triple solenoid valve, straight 220/240V  
 G002 - 7002033 - Hot water pipe 3/8"  
 G003 - 5011003 - Water supply T-connector 2x3/4" 1x1/2" P3  
 G004 - 2013002 - Dehumidifier nozzle P3  
 G005 - 2216796 - Demoisturising tray cover P3  
 G006 - 6015215 - Right-angle pipe connector 3/8" with washer  
 G007 - 2016112 - Pipeline for hand-shower connection 10.10/10.20 P3  
 G008 - 6014003 - Angle valve for hand shower 1/2" P3  
 G009 - 6014006 - Rotary cap for angle valve 1/2" P3  
 G010 - 7012071 - Hand-shower hose 10.10/10.20 P3  
 G011 - 6011010 - Hand-shower hose, table-top appliances P3  
 G012 - 6011012 - Hand-shower holder, table-top appliances P3  
 G015 - 6006086 - Hose clip 12-22mm  
 G017 - 6006089 - Hose clip 40-60mm  
 G043 - 6015030 - Gasket chimney HL 6.10/6.20/10.10/20.10 P3  
 H001 - 2012115K - Condenser for table-top appliances P3 with fixing accessories  
 H002 - 6015000 - Condenser seal P3  
 H003 - 2425112 - Fixing parts for condenser P3  
 H004 - 7012300K - Drain pipe for appliance drip tray 6.10/10.10 P3  
 H005 - 2018006 - Appliance drip tray with 12mm drain 6.10/10.10 P3  
 H006 - 2016007K - Bypass measuring pipe P3 with fixing accessories  
 H007 - 2016000K - Bypass pipe 6.10/10.10 P3 with fixing accessories  
 H008 - 2217281 - Bypass cover P3 with fixing accessories  
 H009 - 2012103 - Condenser quenching nozzle P3  
 H010 - 7012002 - Air outlet tube 10.10 P3  
 H011 - 2124581K - Air-outlet pipe end20.10/20.20/OES/OGS6.10/6.20/10.10/10.20 +fix.access.  
 H015 - 4007087 - Heat-resistant cable tie, 140x3.6mm  
 I001 - 2114508 - Floor cover panel for appliances without CONVOClean system P3  
 I001 - 2619861 - Cleaner pump unit 230V table-top appliances P3  
 I002 - 5018028 - Cleaner pump CONVOClean system P3 / OES mini  
 I003 - 2619860 - Pressure switch CONVOClean system 6.10/6.20/10.10/10.20/OES mini  
 I004 - 6014000 - 3-way pipe connector CONVOClean system P3  
 I005 - 6014001 - 2-way pipe connector CONVOClean system cleaner P3  
 I006 - 6005414 - Right-angle pipe connector 6mm  
 I007 - 2619150 - Partition screw connection CONVOClean system P3 / OES mini, 2 off  
 I008 - 2617594 - Suction pipe, ConvoClean with suction lance P3  
 I009 - 2617598 - Suction pipe, ConvoCare with suction lance P3  
 I010 - 3007061 - Dirt filter for CONVOCare P3 / OES mini  
 I011 - 7012302 - EPDM pipe 6x2mm  
 I012 - 2611010 - Sprinkler nozzle, CONVOClean system P3 / OES mini  
 I013 - 2611184 - Armature nozzle, CONVOClean system P3  
 I014 - 2623282 - Set of cleaning nozzles, CONVOClean system P3 / OES mini  
 I015 - 6005413 - Water nozzle, CONVOClean system P3  
 I016 - 2625117 - Screw connection for pipes on cover (sealing washer and nut)  
 I017 - 2016018 - Cleaner pipe, CONVOClean system 6.10/10.10 P3  
 I018 - 2016020 - Water pipe, CONVOClean system 6.10/10.10/20.10 P3  
 I028 - 6006122 - Hose clip 7-11mm  
 I029 - 8009058 - Wire clip 10mm  
 I032 - 6019100 - Adhesive label, cleaner connection P3  
 I034 - 8019010 - Wire clip 16 mm  
 I036 - 6019109 - CONVOClean adhesive label  
 I037 - 6019111 - CONVOCare adhesive label  
 K002 - 5018027K - Fan safety grill 120 mm, with fixing accessories  
 L004 - 7004008 - Loctite type 243e threadlocker  
 L006 - 7004020 - Silicon adhesive E 43  
 L007 - 7014005 - Copper paste  
 L008 - 7014003 - Loctite 8001 lubricant spray can  
 L009 - 7014004 - Aluminum insulating adhesive tape P3  
 L010 - 7015200 - Fan removal tool P3 with accessories



|      |            |   |
|------|------------|---|
| A001 | - 2117413  | - Seitenwand links 10.10 P3   |
| A002 | - 2117433  | - Rückwand OES/OEB/OGS 10.10  |
| A003 | - 2115443  | - Frontteil 10.10 P3  |
| A004 | - 2114634  | - Eckteil hinten links 10.10/10.20 P3   |
| A005 | - 2118230  | - Decke OGS 10.10   |
| A006 | - 2119228  | - Abdeckung Kondensator P3  |
| A007 | - 2618779  | - Set Glühlampe 230V 25W mit Dichtung   |
| A008 | - 2618780  | - Set Garraumleuchte komplett mit Reflektor                                   |
| A009 | - 7011002  | - Hygienesteckdichtung Tür 10.10 P3   |
| A010 | - 2223650  | - Ansaugblech OES/OGS 10.10   |
| A011 | - 2217004  | - Einhängestell 10.10 links für CONVOClean system P3                          |
| A012 | - 2217067  | - Einhängestell 10.10 rechts für CONVOClean system P3                         |
| A013 | - 5013001  | - Mehrpunkt-Kerntemperaturfühler mit Verschraubung P3                         |
| A014 | - 6015026  | - Dichtung für Kerntemperaturfühler P3  |
| A016 | - 2608962  | - Unterdrucksicherung P3  |
| A017 | - 2216090  | - Zusatzlüfter P3 mit Montagematerial   |
| A018 | - 5018040  | - Zusatzlüfter P3   |
| A019 | - 6004044  | - Gerätefuß für P3 Tischgeräte, höhenverstellbar                              |
| A029 | - 7003066  | - Dichtungsband 9x3mm   |
| A030 | - 5016001K | - Kabelverschraubung M25  |
| A031 | - 6005068  | - Dichtung 44x5 mm für Unterdrucksicherung P3                                 |
| A032 | - 6005427  | - Membrantülle Durchm. 83 (DG 60)   |
| B001 | - 2520410  | - Tür 10.10 kompl. P3   |
| B002 | - 2518481  | - Innentür 10.10 P3 mit Montagematerial                                       |
| B003 | - 2525040  | - Türgriff P3 Hygienisch Antibakteriel m.Montageteile                         |
| B004 | - 6015248  | - Verschlussklammer Innentür Tischgeräte P3                                   |
| B005 | - 2014005  | - Silikonfeder Tür P3   |
| B006 | - 6015200  | - Abstandhalter Tür P3  |
| B007 | - 2517292  | - Set Innentürscharnier oben und unten P3 mit Montagematerial                 |
| B009 | - 2014007  | - Scharnierplatte für Türoberseite P3   |
| B010 | - 2014003  | - Scharnier-Rastplatte für Türunterseite P3                                   |
| B011 | - 2616469  | - Türtropfwanne 6.10/10.10 P3   |
| B012 | - 2618219  | - Schlittenplatte Verschwindetür 10.10 kompl. P3                              |
| B013 | - 2123272  | - Verkleidung Schlittenplatte Verschwindetür 10.10/10.20 P3                   |
| B014 | - 2619152  | - Rasterklotz Schlittenplatte Verschwindetür P3 mit Montagematerial           |
| B015 | - 2523667  | - Scharnierarm oben und unten P3 mit Montagematerial                          |
| B016 | - 2619141  | - Führungsrolle Verschwindetür P3 mit Montagematerial                         |
| B017 | - 2619156  | - Sicherungsklotz Verschwindetür P3 mit Montagematerial                       |
| B018 | - 2619153  | - Türanschlag Verschwindetür P3 mit Montagematerial                           |
| B019 | - 2619154  | - Stützleiste Verschwindetür P3 mit Montagematerial                           |
| B020 | - 2619138  | - Führungsschiene Verschwindetür 6.10/10.10 P3 mit Montagematerial            |
| B021 | - 2619155  | - Führungsleiste Verschwindetür P3 mit Montagematerial                        |
| B022 | - 2117280  | - Anschlagpuffer Verschwindetür P3 mit Montagematerial                        |
| B023 | - 2614740  | - Führungsbügel Tür Tischgeräte P3  |
| B024 | - 2216070  | - Türkloben P3 mit Montagematerial  |
| B025 | - 2518798  | - Türkontaktschalter OES mini   |
| B030 | - 2619144  | - Schlittenplatte 10.10 P3 mit Führungsschiene und Montagematerial            |
| B033 | - 6002056  | - Abdeckkappe für Drehhebelverschluß  |
| C001 | - 5019406  | - Steuerung 5010 Steuermodul SM P3  |
| C004 | - 2618785  | - Montagezubehör für Steuerung P2 P3 OES mini                                 |
| C005 | - 5009304  | - Verbindungskabel Steuermodul - Bedienmodul P2 P3                            |
| C006 | - 2619973  | - Nachrüstset Versorgungsmodul (P2, P3, OES mini)                             |
| C007 | - 5019300  | - Steuerung 5010 Bedienmodul BM P3  |
| C008 | - 5019304  | - Steuerung 5010 Press&Go-Modul PG P3   |
| C009 | - 2117302  | - Frontblende OES/OGS Press&Go CONVOTHERM                                     |
| C010 | - 5009320  | - Einstellwippe Bedienmodul komplett P2 P3 OES mini                           |
| D018 | - 2224792  | - J-Einspritzverteiler OES/OGS 10.10 mit Montagematerial                      |
| D019 | - 2016305  | - Einspritzrohr OES/OGS 6.10/10.10/20.10                                      |
| D021 | - 2226366  | - Druckregler m. Düse 0,6mm Druckschalter und Manometer O_S 6.20, 10.10 10.20 |
| E001 | - 2617286  | - Motor 6.10/6.20/10.10/20.10 P3 alle Spannungen                              |
| E002 | - 2617294  | - Set Motorbefestigung und Lüfterradbefestigung P3                            |
| E003 | - 2617295  | - Set Motorwellendichtung P3  |
| E004 | - 2625109  | - Set Motorbolzen P3  |
| E005 | - 2619958  | - Lüfterrad Durchm. 350 mm P3   |
| E006 | - 2617293  | - Set Lüfterradbefestigung P3   |
| E010 | - 2217278  | - Abschirmblech für Garraumfühler OGS 6.10/ OES/OGS 10.10/20.10               |
| E011 | - 5001041  | - Garraum-Sicherheitstemperaturbegrenzer (340°C)                              |
| E012 | - 5016014K | - Thermoelementfühler P3 / OES mini   |
| E013 | - 2623208  | - Heißluft-Wärmetauscher OGS 10.10/20.10 ohne Brennereinheit, mit             |
| E014 | - 2012202  | - Abgasstutzen Heißluft OGS/OGB 10.10 isoliert                                |
| F001 | - 2625982  | - Brennereinheit Heißluft OGS/OGB 10.10/20.10 kompl. mit Montagematerial      |
| F002 | - 5018000  | - Brennergebläse RG128 230V P3  |
| F003 | - 6016000  | - Venturi 40kW P3   |
| F004 | - 6016010  | - Gasventil 230V P3   |

F005 - 6016021 - Feuerungsautomat 230V (S4575B 3066)  
 F006 - 2010014 - Brenner Ø50M150 20kW P3  
 F007 - 2617320 - Überwachungselektrode OGS/OGB mit Montagematerial  
 F008 - 2617321 - Glühzündelektrode kurz OGS/OGB mit Montagematerial  
 F009 - 2617323 - Schauglas Brenner P3 mit Montagematerial  
 F010 - 2625120 - Kabeldurchführung Brenner mit Dichtung OGS/OGB  
 F011 - 2625121 - Anschlusswinkel Gasschlauch P3 mit Montagematerial  
 F012 - 2616517 - Gasschlauch 780mm lang P3 mit Montagematerial  
 F013 - 2618161 - Dichtungssatz für Brenner 12-20kW P3  
 F014 - 2615315 - Gas-Umrüstset auf LPG P (Japan) P3  
 F014 - 2615312 - Gas-Umrüstset auf Erdgas E/G20 P3  
 F014 - 2615313 - Gas-Umrüstset auf Butan-Propan G30/G31 P3  
 F015 - 2618140K - Steckerschutzfolie für Feuerungsautomat P3 mit Montagebügel  
 F016 - 2010065 - Einzelgasanschluß R3/4" P3  
 F017 - 2615343 - Luftansaugstrecke Brenner gewinkelt P3  
 G001 - 5001059 - Einfachmagnetventil gerade 220/240V  
 G001 - 5011000 - Dreifachmagnetventil gerade 220/240V  
 G002 - 7002033 - Heisswasserschlauch 3/8"  
 G003 - 5011003 - T-Verbindungsstück WA 2x3/4" 1x1/2" P3  
 G004 - 2013002 - Entfeuchtungsdüse P3  
 G005 - 2216796 - Entfeuchtungswannen-Abdeckung P3  
 G006 - 6015215 - Winkel-Schlauchanschluss 3/8" m. Dichtung  
 G007 - 2016112 - Rohrleitung für Handbrauseanschluss 10.10/10.20 P3  
 G008 - 6014003 - Eckventil für Handbrause 1/2" P3  
 G009 - 6014006 - Drehkappe für Eckventil 1/2" P3  
 G010 - 7012071 - Handbrauseschlauch 10.10/10.20 P3  
 G011 - 6011010 - Handbrause Tischgeräte P3  
 G012 - 6011012 - Aufhängung Handbrause Tischgeräte P3  
 G015 - 6006086 - Schlauchbinder 12-22mm  
 G017 - 6006089 - Schlauchbinder 40-60mm  
 G043 - 6015030 - Dichtung Kamin HL 6.10/6.20/10.10/20.10 P3  
 H001 - 2012115K - Kondensator Tischgeräte P3 mit Montagematerial  
 H002 - 6015000 - Dichtung Kondensator P3  
 H003 - 2425112 - Befestigungsmaterial für Kondensator P3  
 H004 - 7012300K - Ablaufschlauch für Gerätetropfwanne 6.10/10.10 P3  
 H005 - 2018006 - Gerätetropfwanne m. Ablauf 12mm 6.10/10.10 P3  
 H006 - 2016007K - Bypassmeßrohr P3 mit Montagematerial  
 H007 - 2016000K - Bypassleitung 6.10/10.10 P3 mit Montagematerial  
 H008 - 2217281 - Bypassabdeckung P3 mit Montagematerial  
 H009 - 2012103 - Ablöschdüse Kondensator P3  
 H010 - 7012002 - Abluftschlauch 10.10 P3  
 H011 - 2124581K - Abluftstutzen20.10/20.20/OES/OGS6.10/6.20/10.10/10.20 mit Montagematerial  
 H015 - 4007087 - Kabelbinder hitzebeständig, 140x3,6mm  
 I001 - 2114508 - Bodenabdeckung für Geräte ohne CONVOClean system P3  
 I001 - 2619861 - Reinigerpumpeneinheit 230V Tischgeräte P3  
 I002 - 5018028 - Reinigerpumpe CONVOClean system P3 / OES mini  
 I003 - 2619860 - Druckschalter CONVOClean system 6.10/6.20/10.10/10.20/OES mini  
 I004 - 6014000 - Schlauchanschluss CONVOClean system 3fach P3  
 I005 - 6014001 - Schlauchanschluss CONVOClean system Reiniger 2fach P3  
 I006 - 6005414 - Winkel-Schlauchverbindungsstutzen 6mm  
 I007 - 2619150 - Schottverschraubung CONVOClean system P3 / OES mini, 2 Stück  
 I008 - 2617594 - Saugschlauch ConvoClean mit Ansauglanze P3  
 I009 - 2617598 - Saugschlauch ConvoCare mit Ansauglanze P3  
 I010 - 3007061 - Schmutzsieb für CONVOCare P3 / OES mini  
 I011 - 7012302 - EPDM-Schlauch 6x2mm  
 I012 - 2611010 - Sprinklerdüse CONVOClean system P3 / OES mini  
 I013 - 2611184 - Rotordüse CONVOClean system P3  
 I014 - 2623282 - Set Reinigerdüsen CONVOClean system P3 / OES mini  
 I015 - 6005413 - Wasserdüse CONVOClean system P3  
 I016 - 2625117 - Verschraubung für Rohrleitungen an Decke (Dichtung und Mutter)  
 I017 - 2016018 - Rohrleitung Reiniger CONVOClean system 6.10/10.10 P3  
 I018 - 2016020 - Rohrleitung Wasser CONVOClean system 6.10/10.10/20.10 P3  
 I028 - 6006122 - Schlauchbinder 7-11mm  
 I029 - 8009058 - Drahtschelle 10mm  
 I032 - 6019100 - Aufkleber Reinigeranschluss P3  
 I034 - 8019010 - Drahtschelle 16 mm  
 I036 - 6019109 - Kennzeichnungsaufkleber CONVOClean  
 I037 - 6019111 - Kennzeichnungsaufkleber CONVOCare  
 K002 - 5018027K - Lüfterschutzgitter 120 mm mit Montagematerial  
 L004 - 7004008 - Sicherungsmittel Loctite Typ 243e  
 L006 - 7004020 - Silikonkleber E 43  
 L007 - 7014005 - Kupferpaste  
 L008 - 7014003 - Schmiermittel Loctite 8001 Sprühdose  
 L009 - 7014004 - Alu-Klebeband für Isolierung P3  
 L010 - 7015200 - Abzieher für Lüfterrad P3 mit Zubehör





|      |            |   |
|------|------------|---|
| A001 | - 2117413  | - Paroi latérale gauche 10.10 P3  |
| A002 | - 2117433  | - Panneau arrière OES/OEB/OGS 10.10   |
| A003 | - 2115443  | - Partie avant 10.10 P3   |
| A004 | - 2114634  | - Angle arrière gauche 10.10/10.20 P3   |
| A005 | - 2118230  | - Plafond OGS 10.10   |
| A006 | - 2119228  | - Capot Condenseur P3   |
| A007 | - 2618779  | - Kit lampe à incandescence 230V 25W avec joint                               |
| A008 | - 2618780  | - Kit voyant d'enceinte de cuisson complet avec réflecteur                    |
| A009 | - 7011002  | - Joint d'étanchéité emboîté porte 10.10 P3                                   |
| A010 | - 2223650  | - Tôle d'aspiration OES/OGS 10.10   |
| A011 | - 2217004  | - Glissière 10.10 gauche pour système CONVOClean P3                           |
| A012 | - 2217067  | - Glissière 10.10 droite pour système CONVOClean P3                           |
| A013 | - 5013001  | - Capteur de température à cœur multipoint avec presse-étoupe P3              |
| A014 | - 6015026  | - Joint pour capteur de température à cœur P3                                 |
| A016 | - 2608962  | - Limiteur de dépression P3   |
| A017 | - 2216090  | - Ventilateur d'appoint P3 avec sujétions de montage                          |
| A018 | - 5018040  | - Ventilateur d'appoint P3  |
| A019 | - 6004044  | - Pied d'appareil pour appareils de table P3, réglable en hauteur             |
| A029 | - 7003066  | - Joint-ruban 9x3 mm  |
| A030 | - 5016001K | - Presse-étoupe M25   |
| A031 | - 6005068  | - Joint 44x5 mm pour limiteur de dépression P3                                |
| A032 | - 6005427  | - Diam. passe-tube 83 (DG 60)   |
| B001 | - 2520410  | - Porte 10.10 compl. P3   |
| B002 | - 2518481  | - Porte intérieure 10.10 P3 avec sujétions de montage                         |
| B003 | - 2525040  | - Poignée de porte P3 avec sujétions de montage                               |
| B004 | - 6015248  | - Loquet de fermeture porte intérieure appareils de table P3                  |
| B005 | - 2014005  | - Amortisseur silicone porte P3   |
| B006 | - 6015200  | - Ecarteur porte P3   |
| B007 | - 2517292  | - Kit charnière porte int.en haut et en bas P3 avec sujétions de montage      |
| B009 | - 2014007  | - Plaque de charnière pour face supérieure porte P3                           |
| B010 | - 2014003  | - Plaque de charnière à encliqueter pour face inférieure porte P3             |
| B011 | - 2616469  | - Egouttoir de porte 6.10/10.10 P3  |
| B012 | - 2618219  | - Plaque glissière porte escamotable 10.10 compl. P3                          |
| B013 | - 2123272  | - Habillage plaque glissière porte escamotable 10.10/10.20 P3                 |
| B014 | - 2619152  | - Cale d'encliquetage plaque glissière porte escamot.P3 +sujétions de montage |
| B015 | - 2523667  | - Bras de charnière haut et bas P3 avec sujétions de montage                  |
| B016 | - 2619141  | - Galet de guidage porte escamotable P3 avec sujétions de montage             |
| B017 | - 2619156  | - Cale de sécurité Porte escamotable P3 avec sujétions de montage             |
| B018 | - 2619153  | - Butée de porte Porte escamotable P3 avec sujétions de montage               |
| B019 | - 2619154  | - Baguette d'appui Porte escamotable P3 avec sujétions de montage             |
| B020 | - 2619138  | - Rail de guidage Porte escamotable 6.10/10.10 P3 avec sujétions de montage   |
| B021 | - 2619155  | - Barrette de guidage Porte escamotable P3 avec sujétions de montage          |
| B022 | - 2117280  | - Tampon de butée Porte escamotable P3 avec sujétions de montage              |
| B023 | - 2614740  | - Etrier de guidage Porte Appareils de table P3                               |
| B024 | - 2216070  | - Gâche de porte P3 avec sujétions de montage                                 |
| B025 | - 2518798  | - Contact porte OES mini  |
| B030 | - 2619144  | - plaque glissière 10.10 P3 avec rail de guidage et sujétions de mont.        |
| B033 | - 6002056  | - Chape pour poignée béquille   |
| C001 | - 5019406  | - Commande 5010 Module de commande SM P3                                      |
| C004 | - 2618785  | - Accessoires de montage pour commande P2 P3 OES mini                         |
| C005 | - 5009304  | - Câble de liaison Module de commande - Module de service P2 P3               |
| C006 | - 2619973  | - Kit d'adaptation Module d'alimentation (P2, P3, OES mini)                   |
| C007 | - 5019300  | - Commande 5010 Module de service BM P3                                       |
| C008 | - 5019304  | - Commande 5010 Module Press&Go PG P3   |
| C009 | - 2117302  | - Face avant OES/OGS Press&Go CONVOTHERM                                      |
| C010 | - 5009320  | - Touche de réglage à bascule Module de service complet P2 P3 OES mini        |
| D018 | - 2224792  | - Distributeur d'injection en J OES/OGS 10.10 avec accessoires de montage     |
| D019 | - 2016305  | - Tuyau d'injection OES/OGS 6.10/10.10/20.10                                  |
| D021 | - 2226366  | - régulateur de pr. +buse 0,6mm, interrupt. et manomètre O_S 6.20/10.10/10.20 |
| E001 | - 2617286  | - Moteur 6.10/6.20/10.10/20.10 P3 toutes tensions                             |
| E002 | - 2617294  | - Kit fixation moteur et fixation ventilateur P3                              |
| E003 | - 2617295  | - Kit garniture d'arbre moteur P3   |
| E004 | - 2625109  | - Jeu de boulons moteur P3  |
| E005 | - 2619958  | - Diam. ventilateur 350 mm P3   |
| E006 | - 2617293  | - Kit fixation ventilateur P3   |
| E010 | - 2217278  | - Tôle de protect.pour capteurd'enceinte de cuissonOGS6.10/OES/OGS10.10/20.10 |
| E011 | - 5001041  | - Limiteur de température de sécurité de l'enceinte de cuisson (340°C)        |
| E012 | - 5016014K | - Capteur thermocouple P3 / OES mini  |
| E013 | - 2623208  | - Echangeur thermique air pulsé OGS20.10 ss unité brûleur,+ access.de montage |
| E014 | - 2012202  | - Conduite d'échappement d'air pulsé OGS/OGB 10.10 isolée                     |
| F001 | - 2625982  | - Unité brûleur air pulsé OGS/OGB 10.10/20.10 compl. +accessoires de montage  |
| F002 | - 5018000  | - Ventilateur brûleur RG128 230V P3   |
| F003 | - 6016000  | - Venturi 40 kW P3  |
| F004 | - 6016010  | - Vanne gaz 230V P3   |

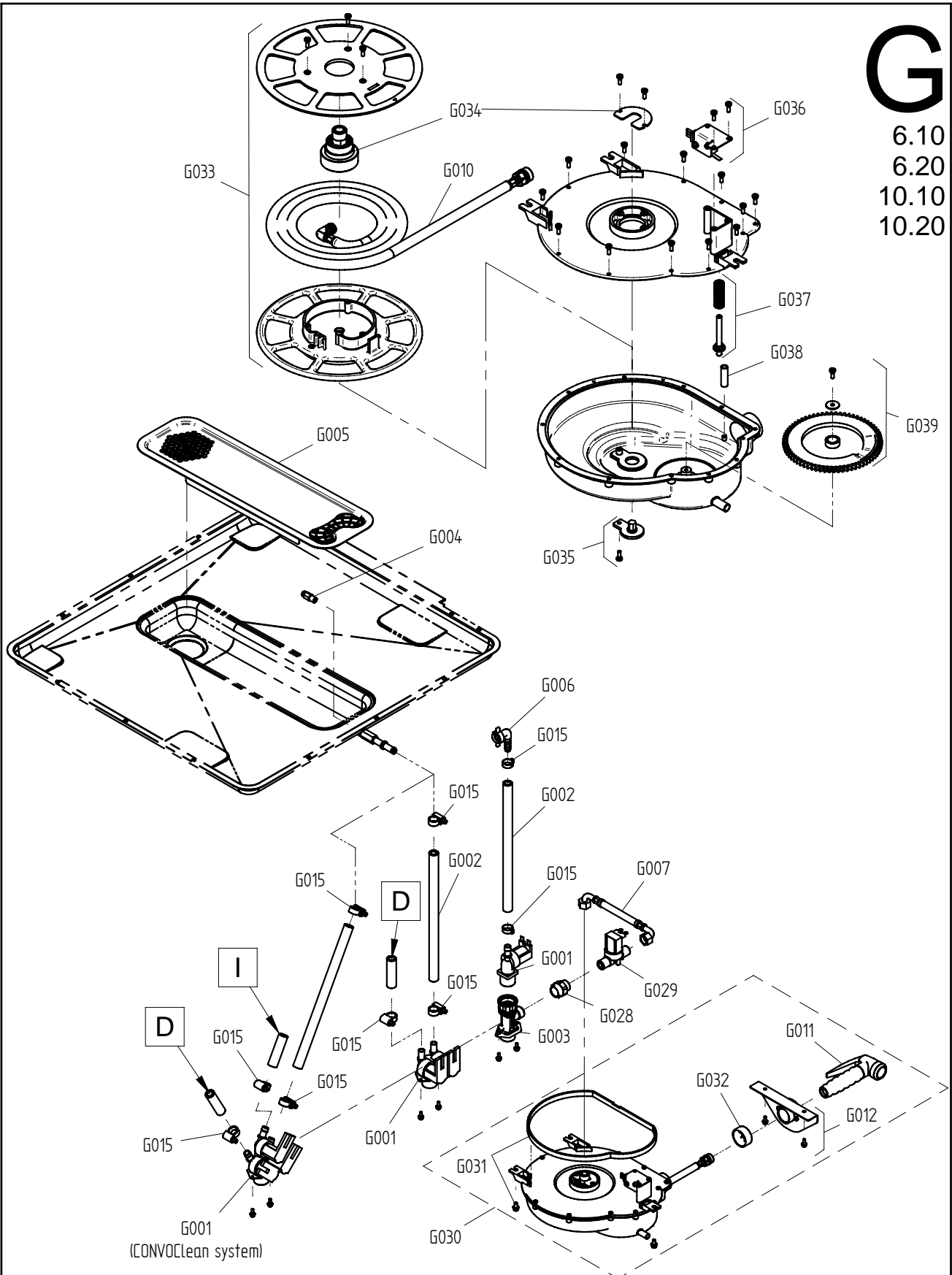
F005 - 6016021 - Automatisme d'allumage 230V (S4575B 3066)  
F006 - 2010014 - Brûleur Ø50M150 20 kW P3  
F007 - 2617320 - Electrode de surveillance OGS/OGB avec accessoires de montage  
F008 - 2617321 - Electrode d'auto-allumage courte OGS/OGB avec accessoires de montage  
F009 - 2617323 - Voyant brûleur P3 avec accessoires de montage  
F010 - 2625120 - Passe-fil brûleur avec joint OGS/OGB  
F011 - 2625121 - Coude de raccordement tuyau gaz P3 avec accessoires de montage  
F012 - 2616517 - Tuyau de gaz longueur 780 mm P3 avec accessoires de montage  
F013 - 2618161 - Garniture d'étanchéité pour brûleur 12-20 kW P3  
F014 - 2615312 - Kit d'adaptation gaz à gaz naturel E/G20 P3  
F014 - 2615313 - Kit d'adaptation gaz à butane-propane G30/G31 P3  
F014 - 2615315 - Kit d'adaptation gaz à GPL P (Japon) P3  
F015 - 2618140K - Film de protec.de connecteur p.automatisme d'allumageP3 +étrier de montage  
F016 - 2010065 - Raccordement gaz individuel R3/4" P3  
F017 - 2615343 - Tube d'admission d'air brûleur coudé P3  
G001 - 5001059 - Electrovanne simple droite 220/240V  
G001 - 5011000 - Electrovanne triple droite 220/240V  
G002 - 7002033 - Tuyau d'eau chaude 3/8"  
G003 - 5011003 - Raccord en T alimentation eau 2x3/4" 1x1/2" P3  
G004 - 2013002 - Buse de déshumidification P3  
G005 - 2216796 - Couvercle pour bacs de déshumidification P3  
G006 - 6015215 - Raccord coudé pour tuyau 3/8" avec joint  
G007 - 2016112 - Tuyau pour raccordement douchette 10.10/10.20 P3  
G008 - 6014003 - Vanne d'angle pour douchette 1/2" P3  
G009 - 6014006 - Capot pivotant pour vanne d'angle 1/2" P3  
G010 - 7012071 - Tuyau pour douchette 10.10/10.20 P3  
G011 - 6011010 - Douchette appareils de table P3  
G012 - 6011012 - Accroche douchette appareils de table P3  
G015 - 6006086 - Collier de tube 12-22 mm  
G017 - 6006089 - Collier de tube 40-60 mm  
G043 - 6015030 - Joint cheminée HL 6.10/6.20/10.10/20.10 P3  
H001 - 2012115K - Condenseur appareils de table P3 avec accessoires de montage  
H002 - 6015000 - Joint condenseur P3  
H003 - 2425112 - Matériel de fixation pour condenseur P3  
H004 - 7012300K - Tuyau d'écoulement pour égouttoir de l'appareil 6.10/10.10 P3  
H005 - 2018006 - Egouttoir de l'appareil avec écoulement 12mm 6.10/10.10 P3  
H006 - 2016007K - Tube de mesurage en dérivation P3 avec accessoires de montage  
H007 - 2016000K - Ligne de dérivation 6.10/10.10 P3 avec accessoires de montage  
H008 - 2217281 - Capot pour dérivation P3 avec accessoires de montage  
H009 - 2012103 - Buse d'extinction condenseur P3  
H010 - 7012002 - Tuyau d'extraction d'air 10.10 P3  
H011 - 2124581K - Manchon d'évac.d'air20.10/20.20/OES/OGS6.10/6.20/10.10/10.20 +access.mont.  
H015 - 4007087 - Collier de câble résistant à la chaleur, 140x3,6mm  
I001 - 2114508 - Couvre-sol pour appareils sans système CONVOClean P3  
I001 - 2619861 - Unité pompe à nettoyant 230V appareils de table P3  
I002 - 5018028 - Pompe à nettoyant système CONVOClean P3 / OES mini  
I003 - 2619860 - Pressostat système CONVOClean 6.10/6.20/10.10/10.20/OES mini  
I004 - 6014000 - Raccord pour tuyau système CONVOClean triple P3  
I005 - 6014001 - Raccord pour tuyau Nettoyant système CONVOClean double P3  
I006 - 6005414 - Manchon de raccordement de tube, coudé 6 mm  
I007 - 2619150 - Traversée de cloison système CONVOClean P3 / OES mini, 2 unités  
I008 - 2617594 - Tuyau d'aspiration ConvoClean avec lance d'aspiration P3  
I009 - 2617598 - Tuyau d'aspiration ConvoClean avec lance d'aspiration P3  
I010 - 3007061 - Crépine à impuretés pour CONVOCare P3 / OES mini  
I011 - 7012302 - Tuyau EPDM 6x2 mm  
I012 - 2611010 - Bec d'arroseur système CONVOClean P3 / OES mini  
I013 - 2611184 - Buse du rotor système CONVOClean P3  
I014 - 2623282 - Kit buses de nettoyage système CONVOClean P3 / OES mini  
I015 - 6005413 - Buse à eau système CONVOClean P3  
I016 - 2625117 - Raccord pour tuyaux au plafond (joint et écrou)  
I017 - 2016018 - Tuyau de nettoyant système CONVOClean 6.10/10.10 P3  
I018 - 2016020 - Tuyau d'eau système CONVOClean 6.10/10.10/20.10 P3  
I028 - 6006122 - Collier pour tuyau 7-11 mm  
I029 - 8009058 - Collier de câble 10 mm  
I032 - 6019100 - Autocollant raccordement pour nettoyant P3  
I034 - 8019010 - Collier de câble 16 mm  
I036 - 6019109 - Autocollant d'identification CONVOClean  
I037 - 6019111 - Autocollant d'identification CONVOCare  
K002 - 5018027K - Grille de protection de ventilateur 120 mm avec matériel de fixation  
L004 - 7004008 - Produit de protection Loctite Type 243e  
L006 - 7004020 - Colle silicone E 43  
L007 - 7014005 - Pâte à cuivre  
L008 - 7014003 - Lubrifiant Loctite 8001 Bombe aérosol  
L009 - 7014004 - Ruban adhésif alu pour isolation P3  
L010 - 7015200 - Arrache-moyeux pour roue de ventilateur P3 avec accessoires



# Ersatzteilzeichnung Wasserversorgung Tischgeräte P3 Spare part drawing water supply tabletop units P3

ETZ G - WV 1234 RHB P3 1 / 1

**G**  
6.10  
6.20  
10.10  
10.20



Art. Nr. 9825324\_00 | 3.2.2010 | Änderungen vorbehalten! Changes excepted!

|                                    |  |
|------------------------------------|--|
| gültig ab / valid from: 01.02.2010 | Vorgängerversion / previous version: 9825301 |
| gültig bis / valid to:             | Nachfolgeverson / follow-up version:         |

Enodis  
Talstraße 35  
D- 82436 Egfling | Germany

Tel. +49(0)8847/67-0  
Fax +49(0)8847/414  
info@hotairsteamer.com



## English | Spare part list for model number 9825324

## Deutsch | Ersatzteilliste für Artikelnummer 9825324

| Pos. | Item no. | name  | Pos. | Art.Nr.  | Bezeichnung  |
|------|----------|---|------|----------|--|
| G001 | 5001080  | Dual solenoid valve, straight 220/240V                                    | G001 | 5001059  | Einfachmagnetventil gerade 220/240V                            |
| G001 | 5011000  | Triple solenoid valve, straight 220/240V                                  | G001 | 5011000  | Dreifachmagnetventil gerade 220/240V                           |
| G001 | 5001059  | Single solenoid valve, straight 220/240V                                  | G001 | 5001080  | Doppelmagnetventil gerade 220/240V                             |
| G002 | 7002033  | Hot water pipe 3/8"   | G002 | 7002033  | Heisswasserschlauch 3/8"                                       |
| G003 | 5011003  | Water supply T-connector 2x3/4" 1x1/2" P3                                 | G003 | 5011003  | T-Verbindungsstück WA 2x3/4" 1x1/2" P3                         |
| G004 | 2013002  | Dehumidifier nozzle P3  | G004 | 2013002  | Entfeuchtungsdüse P3   |
| G005 | 2216796  | Demoisturising tray cover P3  | G005 | 2216796  | Entfeuchtungswannen-Abdeckung P3                               |
| G006 | 6015215  | Right-angle pipe connector 3/8" with washer                               | G006 | 6015215  | Winkel-Schlauchanschluss 3/8" m. Dichtung                      |
| G007 | 7012307  | Connecting pipe for retractable hand shower 6.10/6.20/10.10/10.20 P3      | G007 | 7012307  | Anschlusschlauch für Rollhandbrause 6.10/6.20/10.10/10.20 P3   |
| G010 | 6011019K | Hand-shower hose for retractable hand shower P3                           | G010 | 6011019K | Brauseschlauch für Rollhandbrause P3                           |
| G011 | 6011005  | Hand-shower for retractable hand shower P3                                | G011 | 6011005  | Handbrause für Rollhandbrause P3                               |
| G012 | 2625196  | Hand-shower holder for retractable hand shower 6.10/6.20/10.10/10.20 P3   | G012 | 2625196  | Handbrausehalter für Rollhandbrause 6.10/6.20/10.10/10.20 P3   |
| G015 | 6006086  | Hose clip 12-22mm   | G015 | 6006086  | Schlauchbinder 12-22mm   |
| G028 | 6015420  | Reducing socket 1/2"-3/8" for retractable hand shower                     | G028 | 6015420  | Reduziermuffe 1/2"-3/8" für Rollhandbrause P3                  |
| G029 | 5011013  | Single solenoid valve 220/240V 3/8"-3/8" for retractable hand shower P3   | G029 | 5011013  | Einfachmagnetventil 220/240V 3/8"-3/8" für Rollhandbrause P3   |
| G030 | 6011028K | Retractable hand shower 6.10/6.20/10.10/10.20 P3 incl. fixing accessories | G030 | 6011028K | Rollhandbrause 6.10/6.20/10.10/10.20 P3 mit Montagematerial    |
| G031 | 2625192  | Fixing accessories for retractable hand shower 6.10/6.20/10.10/10.20 P3   | G031 | 2625192  | Montageset für Rollhandbrause 6.10/6.20/10.10/10.20 kpl P3     |
| G032 | 6013063  | Protective cap for retractable hand shower 6.10/6.20/10.10/10.20 P3       | G032 | 6013063  | Schutzkappe für Rollhandbrause 6.10/6.20/10.10/10.20 P3        |
| G033 | 2625194  | Hose reel for retractable hand shower P3 incl. fixing accessories         | G033 | 2625194  | Schlauchtrommel kpl. für Rollhandbrause P3 mit Montagematerial |
| G034 | 6011017K | Rotor for retractable hand shower P3 incl. fixing accessories             | G034 | 6011017K | Drehdurchführung für Rollhandbrause P3 mit Montagematerial     |
| G035 | 6011037K | Spring rewinder for retractable hand shower P3                            | G035 | 6011037K | Federspanner für Rollhandbrause P3                             |
| G036 | 2625195  | Micro switch for retractable hand shower P3                               | G036 | 2625195  | Mikroschalter für Rollhandbrause P3                            |
| G037 | 6011038K | Switch plunger for retractable hand shower P3                             | G037 | 6011038K | Schaltstößel für Rollhandbrause P3                             |
| G038 | 6011041  | Guide roller for retractable hand shower P3                               | G038 | 6011041  | Umlenkrolle für Rollhandbrause P3                              |
| G039 | 6011035K | Switch wafer for retractable hand shower P3                               | G039 | 6011035K | Schaltzscheibe für Rollhandbrause P3                           |
| G040 | 7012311K | Downpipe for retractable hand shower P3                                   | G040 | 7012311K | Ablaufschlauch für Rollhandbrause P3                           |

Druckdatum/print date 24-2-2010

Convotherm  
 Talstr. 35  
 D-82436 Egfling | Germany

Tel: +49(0)8847/67-0  
 Fax: +49(0)8847/414  
 info@hotairsteamer.com

**Espanol | lista de piezas de recambio del N° model 9825324**

| Pos. | Item no. | denominación   |
|------|----------|--|
| G001 | 5001059  | Válvula electromagnética sencilla recta 220/240 V                          |
| G001 | 5011000  | Válvula electromagnética triple recta 220/240 V                            |
| G001 | 5001080  | Válvula electromagnética doble recta 220/240 V                             |
| G002 | 7002033  | Manguera para agua caliente 3/8"   |
| G003 | 5011003  | Pieza de unión en T Conexión de agua 2x3/4" 1x1/2" P3                      |
| G004 | 2013002  | Boquilla deshumidificadora P3  |
| G005 | 2216796  | Cubierta de la bandeja de deshumidificación P3                             |
| G006 | 6015215  | Conexión de manguera acodada 3/8" con junta                                |
| G007 | 7012307  | Tubería de conexión p. ducha de mano enrollable 6.10/6.20/10.10/10.20 P3   |
| G010 | 6011019K | Manguera de ducha de mano para ducha de mano enrollable P3                 |
| G011 | 6011005  | Ducha de mano para ducha de mano enrollable P3                             |
| G012 | 2625196  | Soporte de ducha de mano p. ducha de mano enroll. 6.10/6.20/10.10/10.20 P3 |
| G015 | 6006086  | Brida de manguera 12-22 mm   |
| G028 | 6015420  | Pasatabiques 1/2"-3/8" para ducha de mano enrollable P3                    |
| G029 | 5011013  | Válvula electromagnética 220/240V 3/8"-3/8" p. ducha de mano enrollable P3 |
| G030 | 6011028K | Ducha de mano enroll. 6.10/6.20/10.10/10.20 P3 con accesorios de montaje   |
| G031 | 2625192  | Accesorios de montaje p. ducha de mano enroll. 6.10/6.20/10.10/10.20 P3    |
| G032 | 6013063  | Tapa protectora para ducha de mano enrollable 6.10/6.20/10.10/10.20 P3     |
| G033 | 2625194  | Tambor de manguera p. ducha de mano enroll. P3 con accesorios de montaje   |
| G034 | 6011017K | Junta giratoria p. ducha de mano enrollable P3 con accesorios de montaje   |
| G035 | 6011037K | Tensor de muelle para ducha de mano enrollable P3                          |
| G036 | 2625195  | Microinterruptor para ducha de mano enrollable P3                          |
| G037 | 6011038K | Empujador para ducha de mano enrollable P3                                 |
| G038 | 6011041  | Rodillo de guía para ducha de mano enrollable P3                           |
| G039 | 6011035K | Disco de leva para ducha de mano enrollable P3                             |
| G040 | 7012311K | Manguera vertedor para ducha de mano enrollable P3                         |

Druckdatum/print date 24-2-2010

