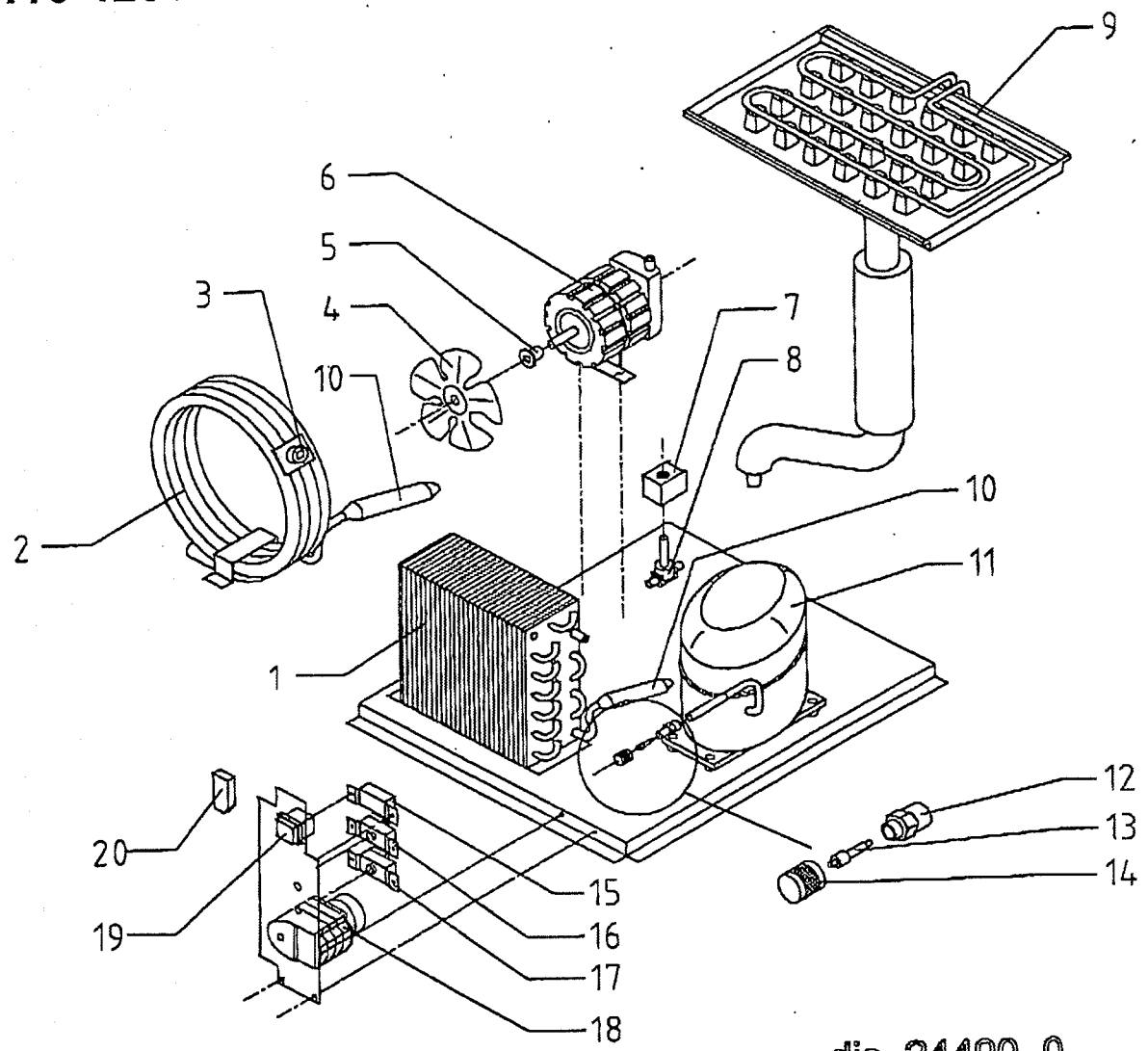


Cooling system assembly Mod. CB246-249-316-416-425 A/W



dis. 24490_0

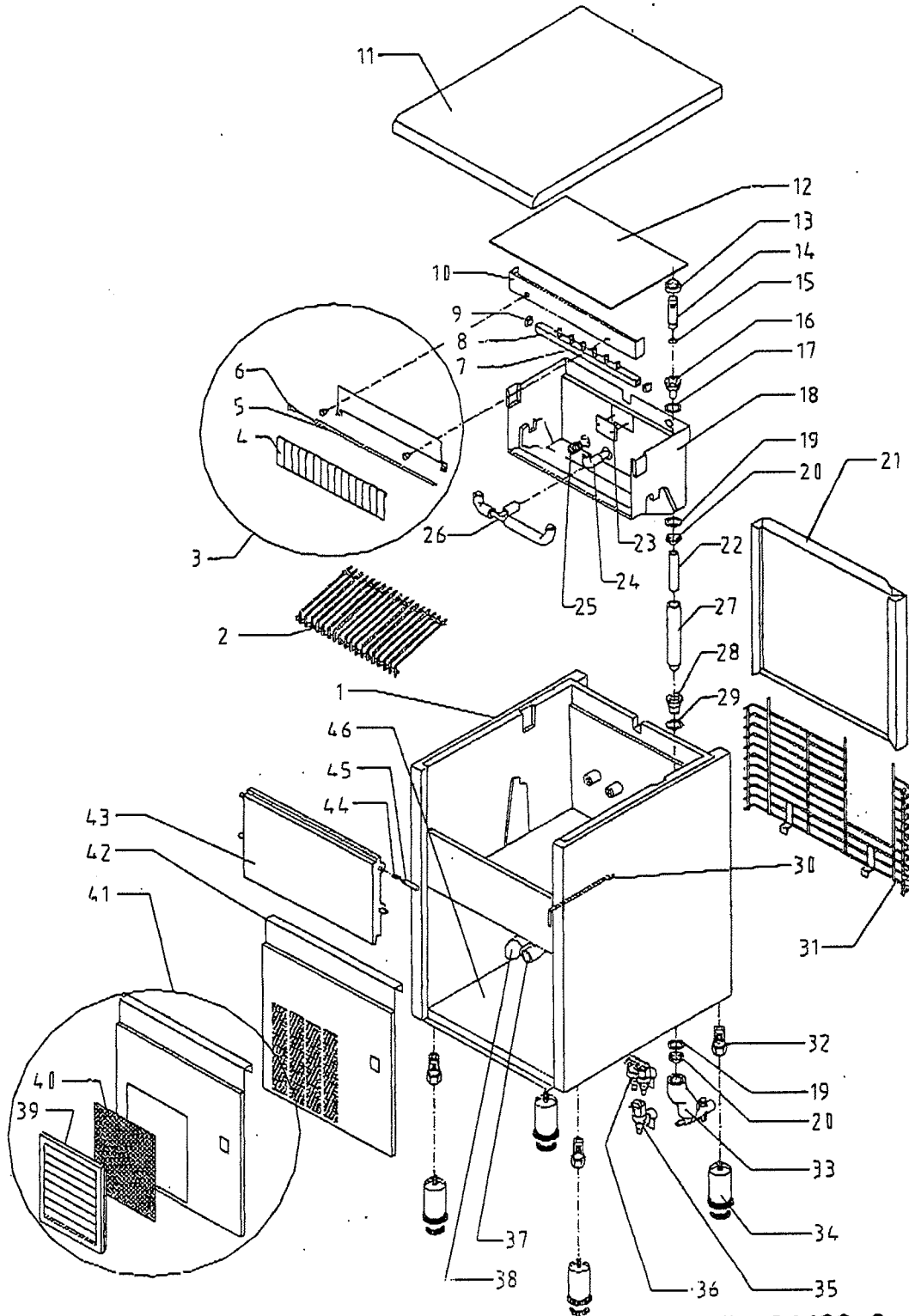
Cooling system assembly Mod. CB246 A/W - (TAB. 13)

Ref.	Description	Refrigerant	A/W	Tension	Code	Code
1	Air condenser		A			20534
2	Water condenser		W			14057
3	Safety thermostat		W			C23114
4	Suction impeller					10213
5	Hub+washer+screw					10014
6	Pump			1-2		23002
6	Pump			3		23264
7	Hot gas coil			1-2		23091
7	Hot gas coil			3		23256
8	Hot gas valve body					20410
9	Evaporator				A	D10045
9	Evaporator				C	D10320
9	Evaporator				D	D10171
10	Molecular drier					14009
11	Compressor	R404A		1		23436
11	Compressor	R404A		2		23494
11	Compressor	R404A		3		23446
11	Compressor	R22		1		23197
11	Compressor	R22		2		23346
11	Compressor	R22		3		23368
12	Vacuum- charge valve body					14007
13	Vacuum-charge valve device					14005
14	Vacuum-charge valve plug					14006
15	Condenser pressure switch		W			23175
16	Bin thermostat					23005
17	Evaporator thermostat					23591
18	Timer			1	A	23222
18	Timer			1	C	23248
18	Timer			1-2	D	23247
18	Timer			2	A	23248
18	Timer			2	C	23396
18	Timer			3	A	23259
18	Timer			3	C	23397
18	Timer			3	D	23258
19	Green light switch					23327
20	Anti radio interference filter		W	1		23457

Note: 1. Code 20069 (A) until number 104676. Code 20534 (A) from number 104677.
 2. Code 14002 (W) until number 28525. Code 14057 (W) from number 28526.
 18. Code 23222 from September 1992. Before Code 23003.

ZU HD. HERR WEINSTEIN
FROM: BREHA ICE MACHINES SPA

Shell assembly + Hydraulic circuit Mod. CB246- 249-316-416-425-640-840-955-1265-1565 A/W



dis. 24489_2

Shell assembly + Hydraulic circuit Mod. CB246 A/W - (TAB. 4)

Ref.	Description	Refrigerant	A/W	Len. (mm)	Cube	Code
1	Foamed cabinet assy				A-C	C11002/E
1	Foamed cabinet assy				D	C11002/ED
2	Ice cubes slide				A	D12001
2	Ice cubes slide				C	D12066
2	Ice cubes slide				D	D12046
3	Flags support assy					C22034
4	Flag					10005
5	Flags rod					12003
6	Flags rod clip					10010
7	Sprayers bar assembly				A	C20028
7	Sprayers bar assembly				C	C20530
7	Sprayers bar assembly				D	C20289
8	Sprayer					D20002
9	Sprayers bar plug					10012
10	Evaporator holder				A-C	22005
10	Evaporator holder				D	22228
11	Top assembly					C22693
12	Evaporator cover					10008
13	Overflow cap					10305
14	Overflow pipe					10133
15	Or gasket for overflow pipe					20233
18	Inner basin					10252
19	Semirigid polyethylene gasket					13007
20	Bin discharge nut					10096
21	Back panel assembly					C22146
22	Overflow pipe					13105
23	Slide keep plate					10009
24	Sprayers feeding pipe					13005
25	Pump suction filter					20005
28	Plastic nipple water outlet					10007
29	Silicone gasket					13006
30	Bulba thermostat tube					20520
31	Rear grid					D12002
32	Foot					10017
33	Discharges manifold		A			C10006
33	Discharges manifold		W			C26452
35	Inlet water valve 1 way		A	1-2		23497
35	Inlet water valve 1 way		A	3		23499
36	Inlet water valve 2 ways		W	1-2		23542
36	Inlet water valve 2 ways		W	3		23592
37	Pump suction pipe					13003
38	Pump delivery pipe					13002
39	Grid+frame					C10205
40	Filtering panel					18106
41	Front grid panel					C22502
43	Door					10303
44	Door pin spring					20499
45	Door pin					10269
46	Base plate					21001

Note: 13. Code 10305 from number 65043.
 14. Code 13001 until number 65042. Code 10133 from number 65043.
 15. Code 20233 from number 65043.
 22. Code 13001 until number 65042. Code 13105 from number 65043.
 30. Code 20008 until number 94517. Code 20520 from number 94518.
 41. Code 22004 until number 28877. Code C22502 from number 28878.