

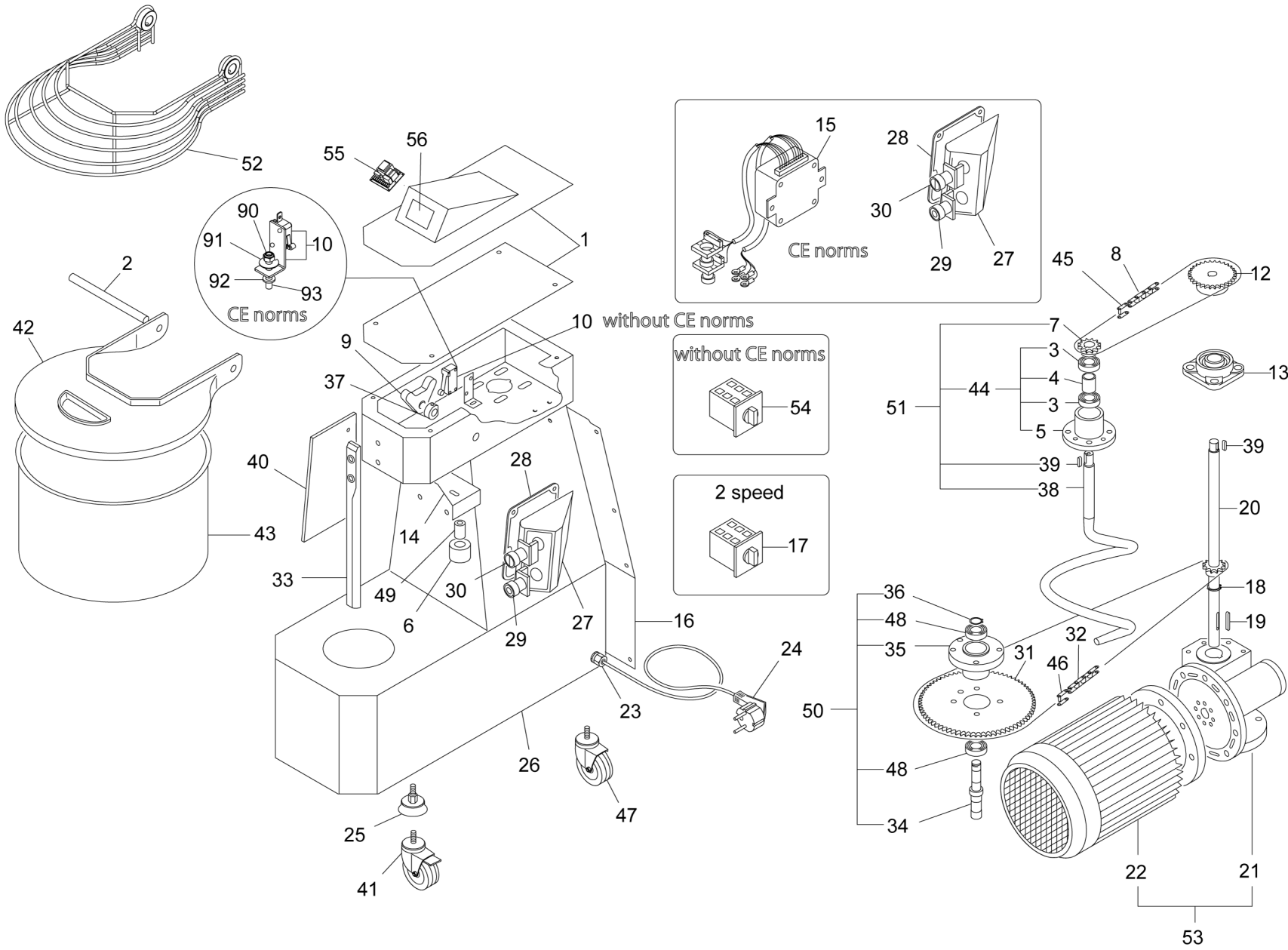


SPARE PARTS TAVOLA RICAMBI

im7-12-18sn
0

SPEC.	N.	CODE	DENOMINAZIONE - DENOMINATION	PRICE
(12-18SN)	1	SL0002	Cover - Coperchio	€ 9.50
(7SN)	1	SL3250	Cover - Coperchio	
Timer digitale (12-18SN)	1	SL4143	Cover - Coperchio	€ 36.00
(12-18SN)	2	SL0021	Pivot - Perno	€ 4.50
(7SN)	2	SL1110	Pivot - Perno	
6203 2RS	3	SL0131	Bearing - Cuscinetto	€ 6.00
	4	SL0020	Spacer - Distanziale	€ 2.80
	5	SL0022	Support - Supporto	€ 22.75
(12-18SN)	* 6	SL2655	Wheel - Ruota	€ 1.80
3/8"x7/32" Z=15	7	SL0024	Pinion - Pignone	€ 4.00
3/8"x7/32" (12SN)	* 8	SL0025	Chain - Catena	€ 4.50
3/8"x7/32" (18SN)	* 8	SL0026	Chain - Catena	€ 5.00
3/8"x7/32" (7SN)	* 8	SL1111	Chain - Catena	€ 3.50
(18SN)	9	SA1062	Stop - Battuta	€ 13.00
(7-12SN)	9	SL0035	Stop - Battuta	€ 5.00
CE norms (12-18SN) da matr.190503100	* 10	SA1157	Microswitch - Microinterruttore	€ 14.00
CE norms (7SN) da matr.190503100	* 10	SA1158	Microswitch - Microinterruttore	€ 14.00
EXCE norms, 1Ph	10	SL2701	Microswitch - Microinterruttore	€ 18.50
EXCE norms, 3Ph da matr.191105456	10	SL4409	Microswitch - Microinterruttore	€ 19.50
3/8"x7/32" Z=29	12	SL0030	Pinion - Pignone	€ 6.00
UCF204	13	SL0032	Support - Supporto	€ 8.40
(12SN)	14	SL2602	Bracket - Staffa	€ 15.00
(18SN)	14	SL2603	Bracket - Staffa	€ 10.50
400V/3Ph/50Hz	* 15	SA1210	Electric installation - Impianto elettrico	€ 55.00
230V/1Ph/50Hz	* 15	SA1220	Electric installation - Impianto elettrico	€ 56.00
230V/1Ph/50Hz timer digitale (12-18)	* 15	SL0987	Electric installation - Impianto elettrico	
400V/3Ph/50Hz timer digitale (12-18)	* 15	SL0988	Electric installation - Impianto elettrico	€ 52.40
(12-18SN)	16	SL2845	Cover - Coperchio	
(7SN)	16	SL3251	Cover - Coperchio	
2 speed - CE norms (12-18SN)	17	SL2743	Speed changeover switch - Commutatore di velocità	€ 49.00
2 speed - without CE norms (12-18SN)	17	SL3760	Speed changeover switch - Commutatore di velocità	€ 40.00
ø25 (12-18SN)	18	SL1616	Seeger - Seeger	€ 0.50
ø18 (7SN)	18	SL3486	Seeger - Seeger	€ 0.50
6x6x30 (7SN)	19	SL3130	Key - Linguetta	€ 1.00
8x7x40 (12-18SN)	19	SL3410	Key - Linguetta	€ 1.50

*Ricambio consigliato - Advised spare parts



POS. CODE

1	SL0002
1	SL3250
1	SL4143
2	SL0021
2	SL1110
3	SL0131
4	SL0020
5	SL0022
6	SL2655
7	SL0024
8	SL0025
8	SL0026
8	SL1111
9	SA1062
9	SL0035
10	SA1157
10	SA1158
10	SL2701
10	SL4409
12	SL0030
13	SL0032
14	SL2602
14	SL2603
15	SA1210
15	SA1220
15	SL0987
15	SL0988
16	SL2845
16	SL3251
17	SL2743
17	SL3760
18	SL1616
18	SL3486
19	SL3130
19	SL3410



**SPARE PARTS
TAVOLA RICAMBI**

**im7-12-18sn
0**

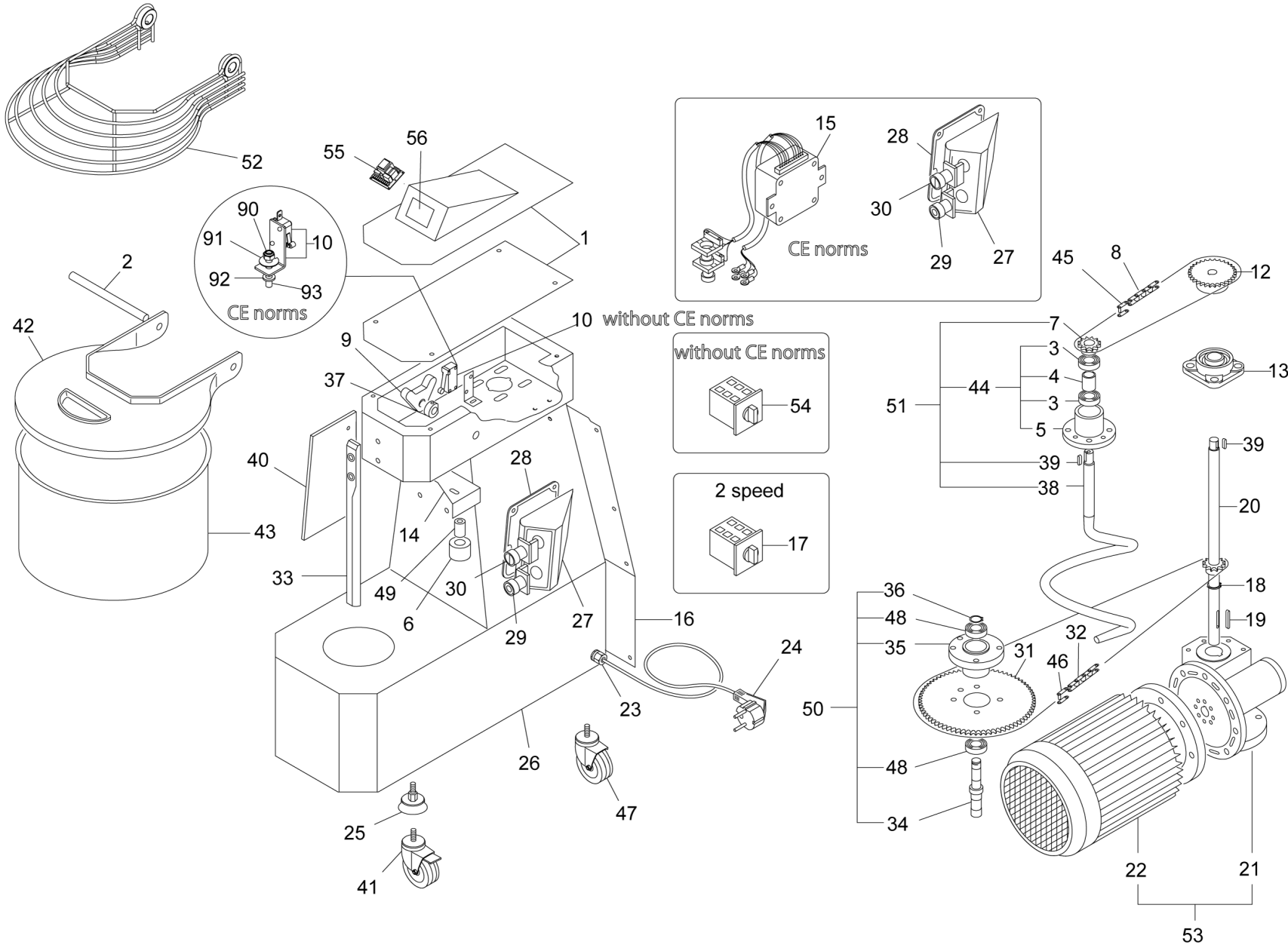


SPARE PARTS TAVOLA RICAMBI

im7-12-18sn
0

SPEC.	N.	CODE	DENOMINAZIONE - DENOMINATION	PRICE
(7SN)	20	SA1018	Shaft - Albero	€ 21.60
(12-18SN)	20	SA1019	Shaft - Albero	€ 28.00
(7SN)	21	SL3185	Gear box - Riduttore	€ 125.00
(12-18SN)	21	SL3186	Gear box - Riduttore	€ 97.00
230V/1Ph/50Hz (7SN)	22	SL3211	Motor - Motore	€ 100.00
230V/1Ph/50Hz(12-18SN)	22	SL3212	Motor - Motore	€ 110.00
400V/3Ph/50Hz(12-18SN)	22	SL3309	Motor - Motore	€ 100.00
400V/3Ph/50Hz (2 speed - 12-18SN)	22	SL3313	Motor - Motore	€ 180.00
400V/3Ph/50Hz (7SN)	22	SL3336	Motor - Motore	€ 100.00
PG11	23	SL1668	Cable clamp - Pressacavo	€ 1.00
1Ph+N+Gnd	24	SL1671	Electric cable - Cavo elettrico	€ 6.50
3Ph+Gnd	24	SL1841	Electric cable - Cavo elettrico	€ 12.00
	* 25	SL3361	Foot - Piedino	€ 4.25
(7SN)	26	SL3249	Base - Base	
(12SN)	26	SL3354	Base - Base	
(18SN)	26	SL3355	Base - Base	
(12-18SN)	27	SL0937	Box - Scatola	€ 3.50
(12-18SN)	28	SL0396	Gasket - Guarnizione	€ 4.80
Stop	* 29	SL0807	Push button - Pulsante	€ 12.00
Start	* 30	SL1049	Push button - Pulsante	€ 12.00
8x3 Z=85 (12-18SN)	31	SL0057	Crown - Corona	€ 14.00
8x3 Z=76 (7SN)	31	SL1117	Crown - Corona	
8x3 (12-18SN)	* 32	SL0058	Chain - Catena	€ 9.00
8x3 (7SN)	* 32	SL3364	Chain - Catena	€ 7.00
	33	SL3370	Rod - Asta	€ 20.85
	34	SL0014	Shaft - Albero	€ 6.00
	35	SL0016	Support - Supporto	
ø17	36	SL0017	Seeger - Seeger	€ 0.50
	37	SL0036	Cam - Camma	€ 3.00
(12-18SN)	38	SL0011	Spiral - Spirale	€ 54.00
(7SN)	38	SL1107	Spiral - Spirale	€ 49.00
5x5x20	39	SL0010	Key - Linguetta	
(7SN)	40	SL4107	Protection - Protezione	€ 8.60
(12-18SN)	40	SL4108	Protection - Protezione	€ 11.60
ø95 M10x30	41	SL3483	Revolving wheel - Ruota girevole	€ 11.00
Plastic (12SN)	42	SA1004	Cover - Coperchio	€ 20.00
Plastic (18SN)	42	SA1005	Cover - Coperchio	€ 22.00
(12SN)	* 43	SL0008	Pan - Pentola	€ 80.00
(18SN)	* 43	SL0009	Pan - Pentola	€ 90.00
(7SN)	* 43	SL1106	Pan - Pentola	€ 64.00

*Ricambio consigliato - Advised spare parts



POS.	CODE
20	SA1018
20	SA1019
21	SL3185
21	SL3186
22	SL3211
22	SL3212
22	SL3309
22	SL3313
22	SL3336
23	SL1668
24	SL1671
24	SL1841
25	SL3361
26	SL3249
26	SL3354
26	SL3355
27	SL0937
28	SL0396
29	SL0807
30	SL1049
31	SL0057
31	SL1117
32	SL0058
32	SL3364
33	SL3370
34	SL0014
35	SL0016
36	SL0017
37	SL0036
38	SL0011
38	SL1107
39	SL0010
40	SL4107
40	SL4108
41	SL3483
42	SA1004
42	SA1005
43	SL0008
43	SL0009
43	SL1106



SPARE PARTS
TAVOLA RICAMBI

im7-12-18sn
0

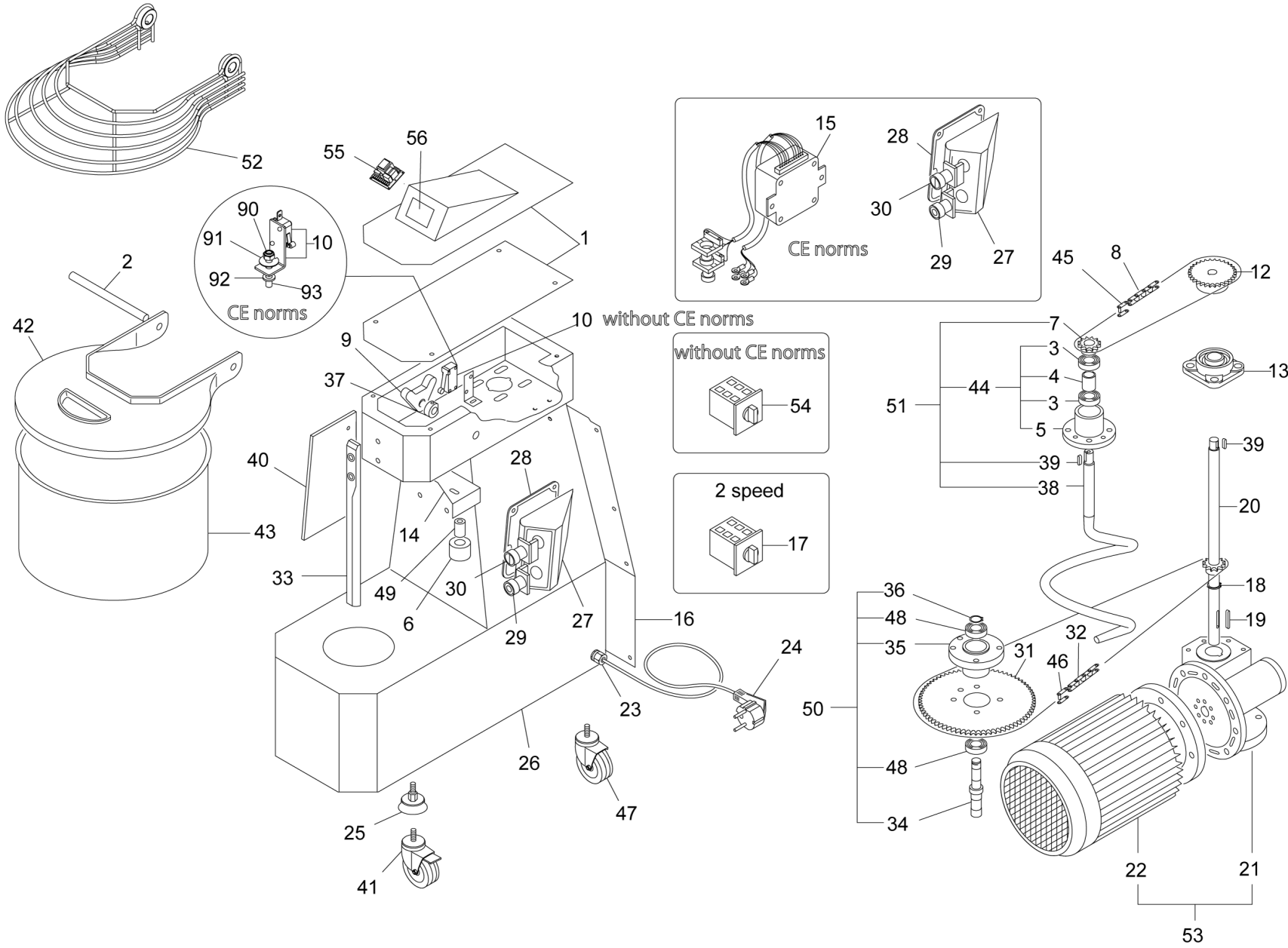


SPARE PARTS
TAVOLA RICAMBI

im7-12-18sn
0

SPEC.	N.	CODE	DENOMINAZIONE - DENOMINATION	PRICE
Assembly	44	SA4000	Support - Supporto	€ 24.00
3/8"x7/32"	* 45	SL1629	Joint - Giunto	€ 2.50
8x3	* 46	SL1545	Joint - Giunto	€ 2.00
ø95 M10x30	47	SL3482	Fixed wheel - Ruota fissa	€ 8.00
6203 2RS	48	SL0131	Bearing - Cuscinetto	€ 6.00
	49	SL1090	Spacer - Distanziale	€ 2.50
Assembly	50	SA1900	Support - Supporto	€ 29.00
Assembly (7SN)	51	SA1032	Support - Supporto	€ 70.00
Assembly (12-18SN)	51	SA1033	Support - Supporto	€ 62.00
Stainless steel (7SN)	52	SL3150	Cover - Coperchio	€ 35.00
Stainless steel (12SN)	52	SL3417	Cover - Coperchio	€ 38.00
Stainless steel (18SN)	52	SL3418	Cover - Coperchio	€ 40.00
230V/1Ph/50Hz (7SN)	53	SL3289	Geared motor - Motoriduttore	€ 170.00
400V/3Ph/50Hz (7SN)	53	SL3290	Geared motor - Motoriduttore	€ 119.00
230V/1Ph/50Hz(12-18SN)	53	SL3291	Geared motor - Motoriduttore	€ 195.00
400V/3Ph/50Hz(12-18SN)	53	SL3292	Geared motor - Motoriduttore	€ 244.00
400V/3Ph/50Hz (2 speed - 12-18SN)	53	SL3306	Geared motor - Motoriduttore	€ 214.00
	54	SL0054	Switch - Interruttore	€ 17.35
Timer digitale (12-18SN)	55	SL4116	Electronic card - Scheda elettronica	€ 27.30
Timer digitale (12-18SN)	56	SL4125	Label - Etichetta	
CE norms	90	3113200	NUT - DADO	
CE norms	91	SL6495	WASHER - ROSETTA	
CE norms fino a matr.190503100	92	SL2062	WASHER - ROSETTA	
CE norms fino a matr.190503100	93	SL6484	DOWEL - GRANO	

*Ricambio consigliato - Advised spare parts



POS. CODE

44	SA4000
45	SL1629
46	SL1545
47	SL3482
48	SL0131
49	SL1090
50	SA1900
51	SA1032
51	SA1033
52	SL3150
52	SL3417
52	SL3418
53	SL3289
53	SL3290
53	SL3291
53	SL3292
53	SL3306
54	SL0054
55	SL4116
56	SL4125
90	3113200
91	SL6495
92	SL2062
93	SL6484



**SPARE PARTS
TAVOLA RICAMBI**

im7-12-18sn
0