

Service part catalogue

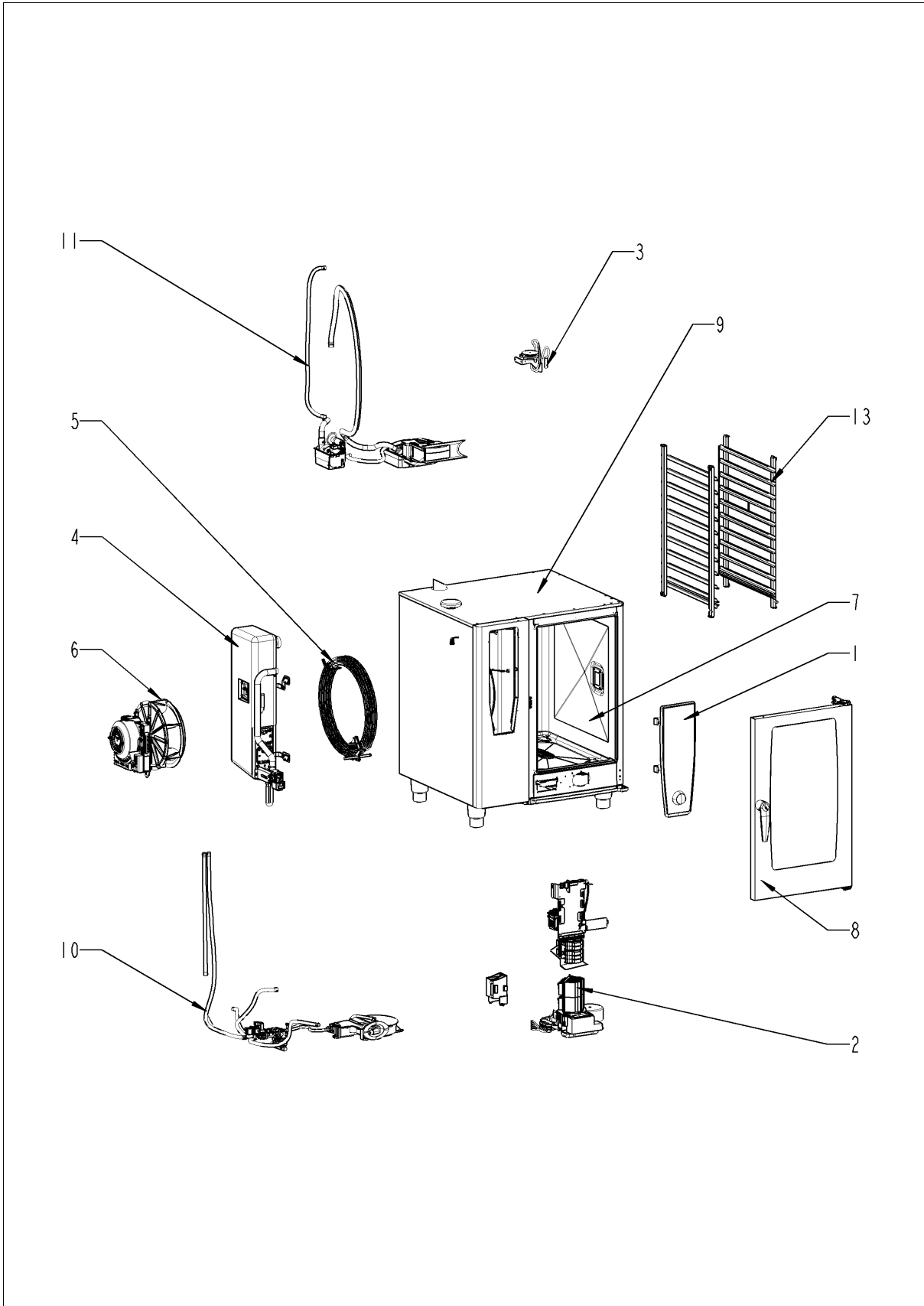
SelfCookingCenter® 5 Senses

SelfCooking Center 101 - 10 x 1/1 GastronormE

E11SH1408



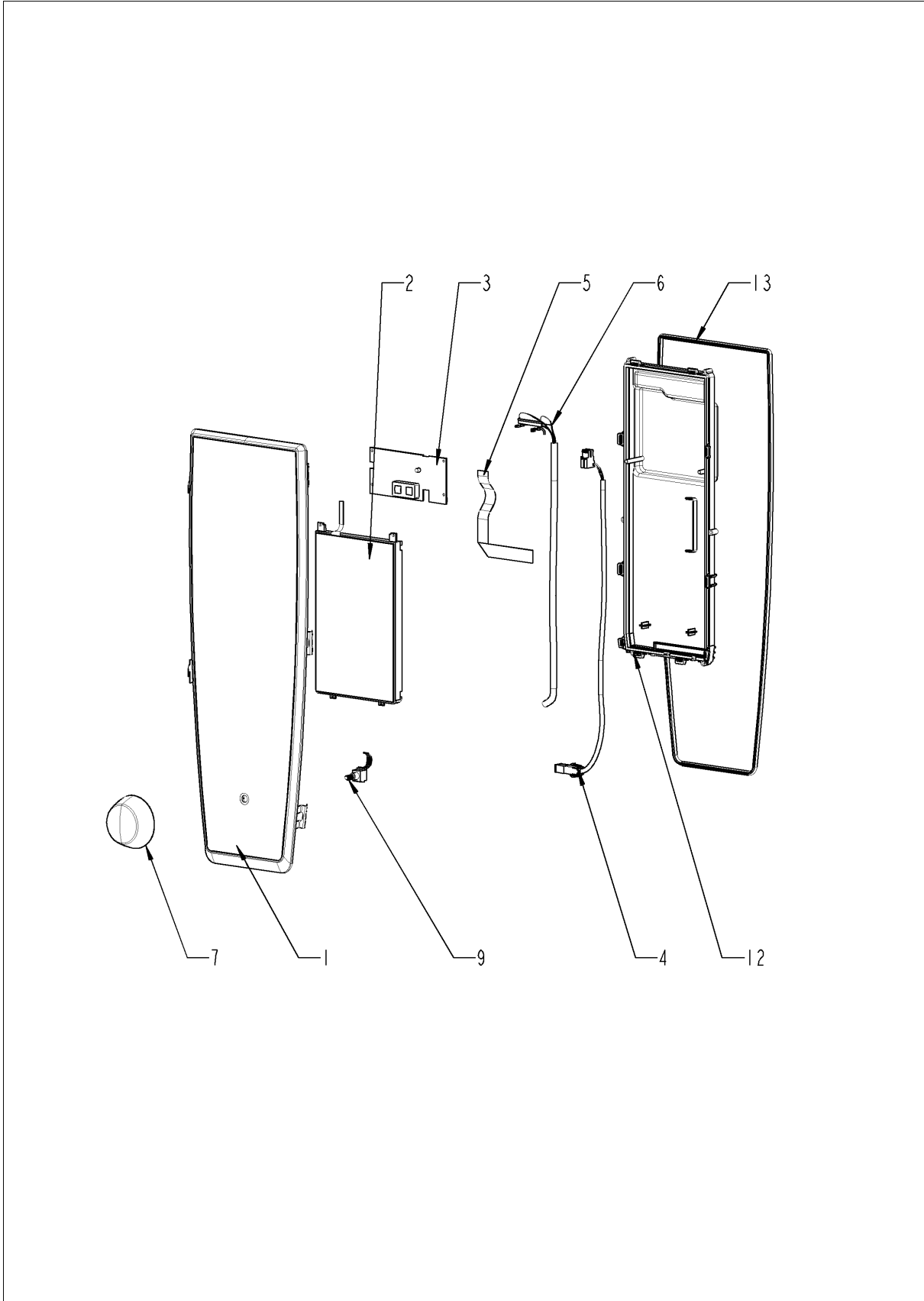
SelfCookingCenter® 5 Senses



SelfCookingCenter® 5 Senses

Pos.	Part No.	Description	Qty.
1		Control panel	1
2		Electrical installation	1
3		ClimaPlus	1
4		Steam generator	1
5		Hot air heating	1
6		Motor and fan wheel	1
7		Interior cabinet	1
8		Door	1
9		Exterior cabinet	1
10		Water	1
11		CleanJet + Care	1
13		Standard accessory	1

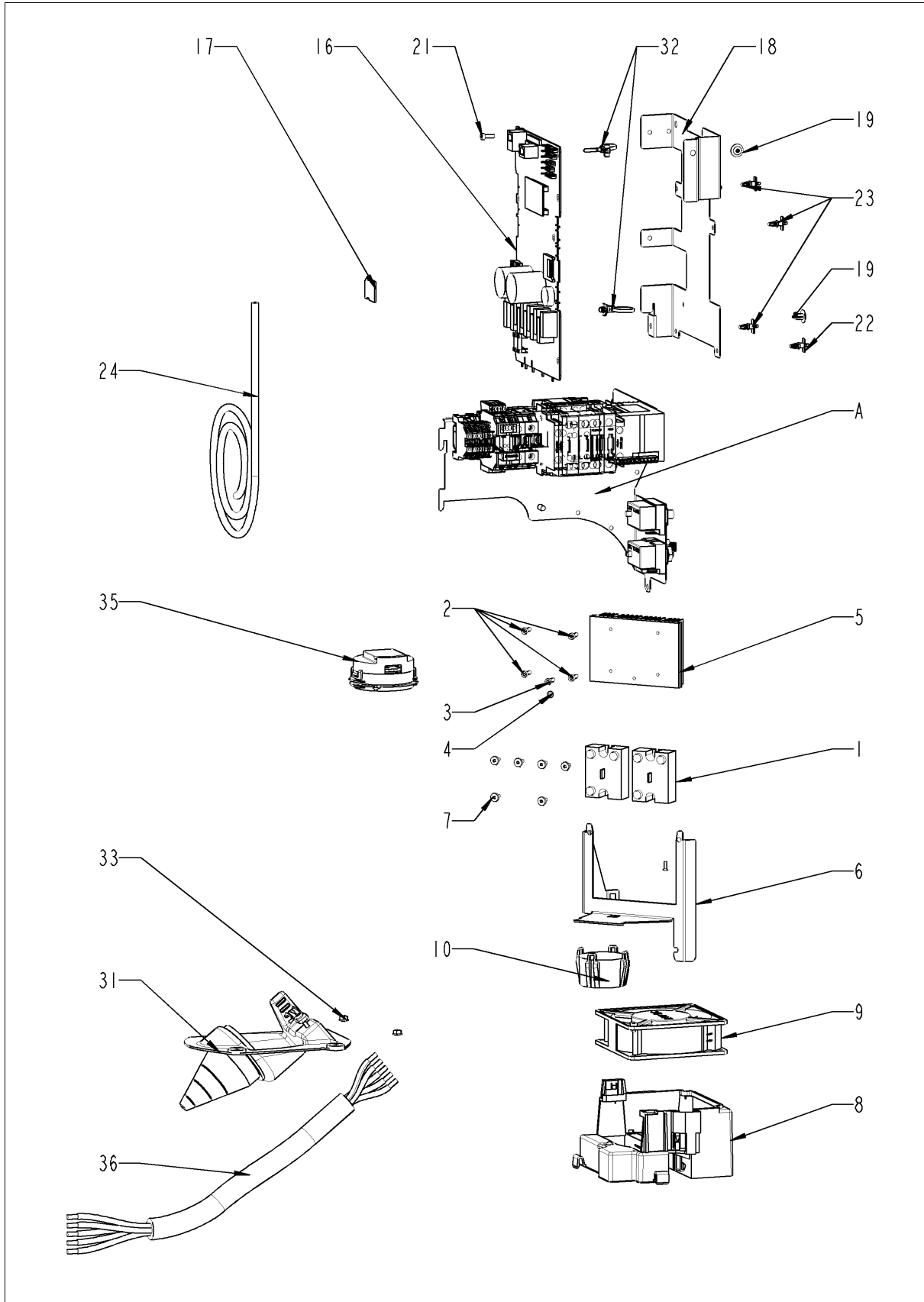
Control panel



Control panel

Pos.	Part No.	Description	Qty.
1	87.01.005	Control panel insert with overlay	1
2	42.00.112	Control pcb *TFT*	1
3	42.00.081	MMI pcb	1
4	40.03.467	Cable On-Off switch MMI	1
5	40.03.515	Cable MMI - TFT	1
6	40.03.516	Cable MMI - CPU	1
7	16.02.062	Dial f. pulse generator	1
9	40.00.404	Pulse generator	1
12	16.01.910	Cover f. control pcb w. gasket	1
13	16.01.908	Sealing f. panel insert	1

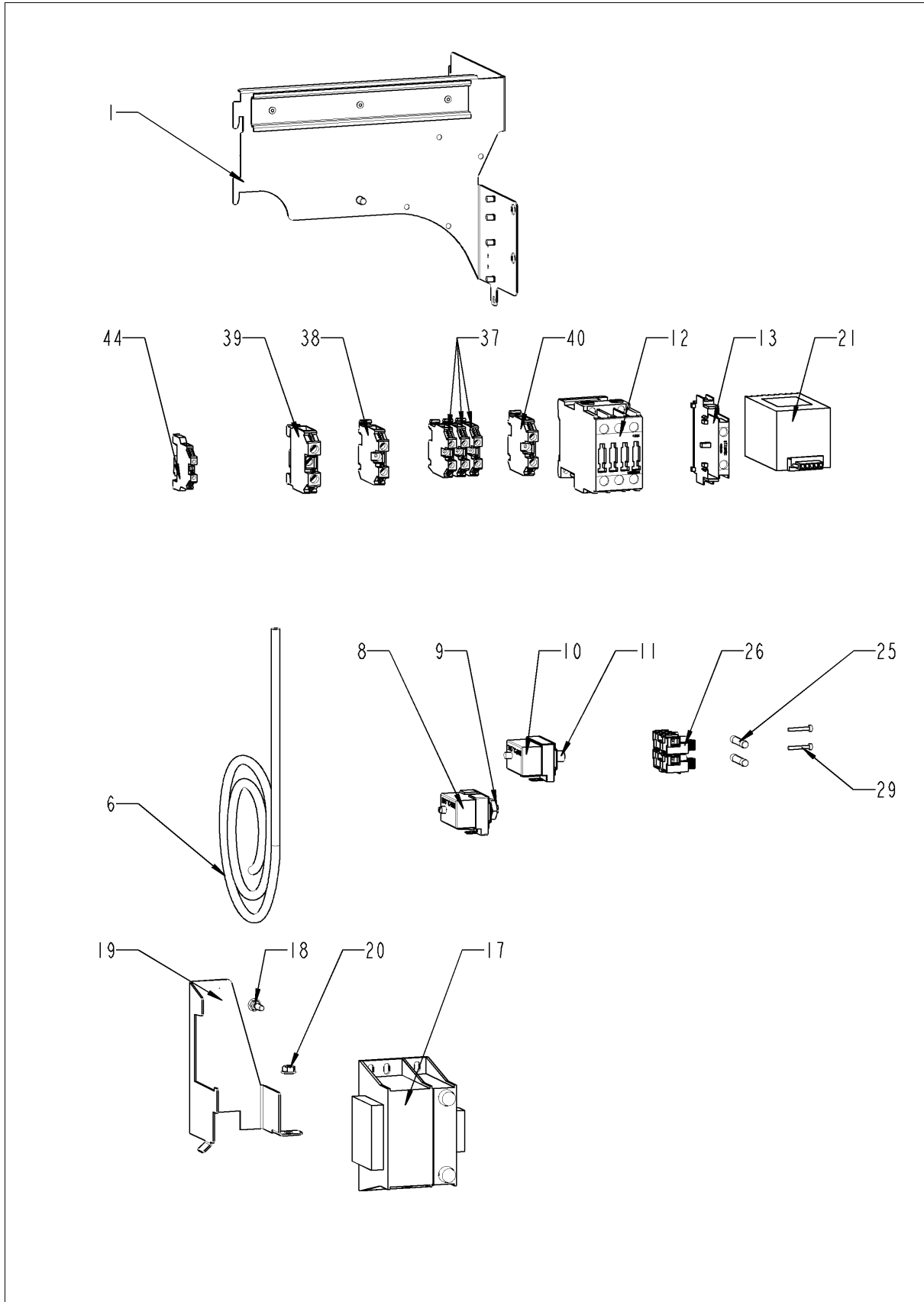
Electrical installation



Electrical installation

Pos.	Part No.	Description	Qty.
1	40.01.589	Solid state relais	2
2	10.00.061	Pan head screw Torx T20 M4x12	4
3	10.00.061	Pan head screw Torx T20 M4x12	1
4	1204.0120	Tooth lock washer A4,3	1
5	40.03.931	Heat sink small 2 SSR	1
6	40.03.372	Mounting device heat sink SSR	1
7	10.01.266	Pan head screw Torx T20 10,5mm	6
8	40.03.660	Fan housing	1
9	40.03.428	Cooling fan with NTC	1
10	40.03.257	Converter 230VAC 24VDC	1
16	42.00.160	Control pcb	1
17	42.00.128	SD-memory card 4GB	1
18	40.03.312	Mounting base for control pcb	1
19	10.00.989	Rivet with screw	2
21	10.00.061	Pan head screw Torx T20 M4x12	1
22	40.03.756	Fixing clip f. pcb	1
23	40.03.533	Fixing clip f. pcb	4
24	40.03.996	Bus cable 1.15m	1
31	40.00.306	Cable entry	1
32	40.03.732	Tie rap 160 mm	3
33	1105.0121	Hex combination nut M5 galv	2
35	40.03.928	Loudspeaker cpl.	1
36	8801.0136	Power supply cable 5x4mm ² 3m	1
A		Electrical installation	1

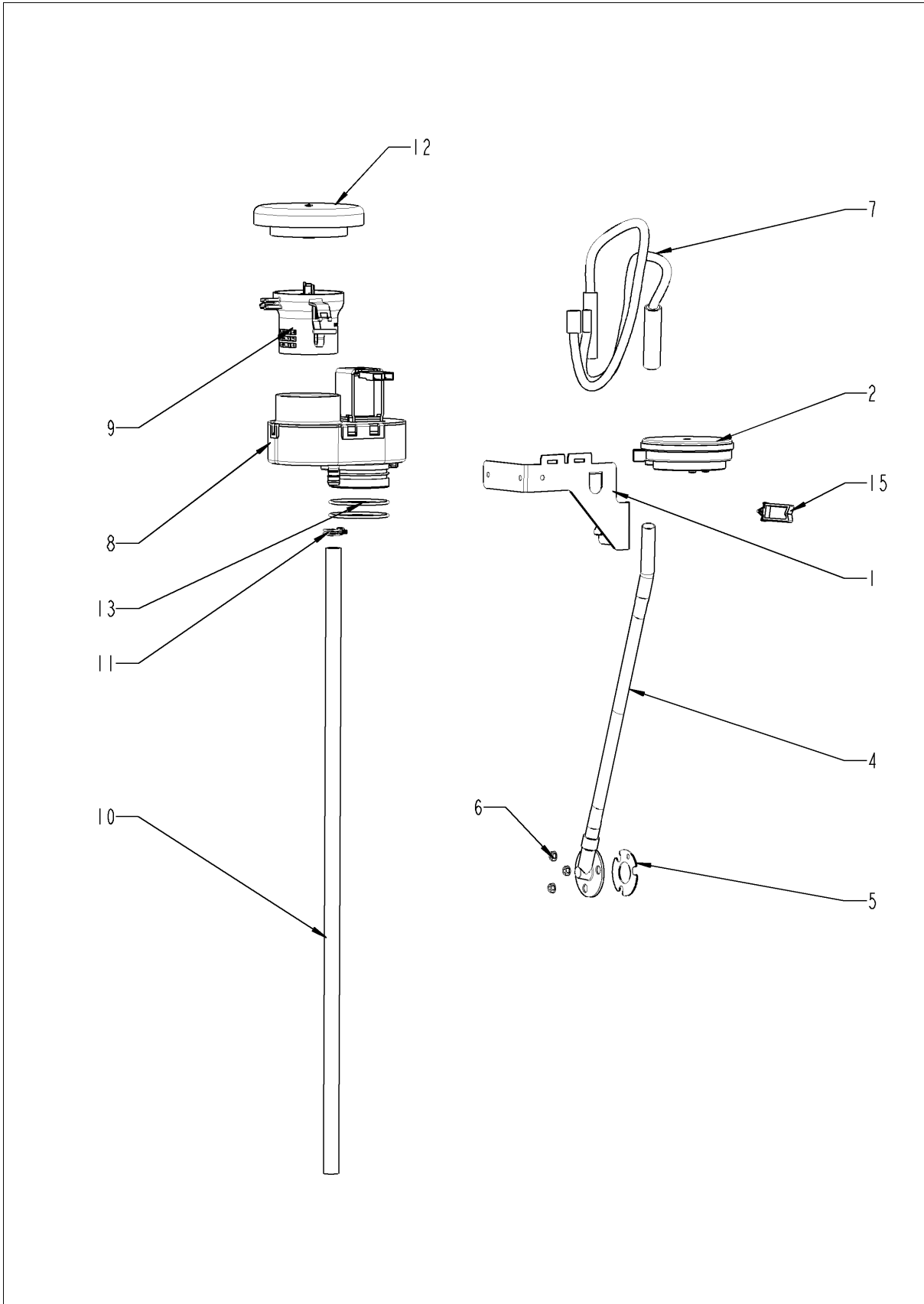
Electrical installation



Electrical installation

Pos.	Part No.	Description	Qty.
1	40.03.322	Contacteur assembly	1
3	40.04.331	Adaptor cable f. Ball valve drain	1
6	40.03.446	Cable control harness	1
8	40.01.329	Dry up protector 183°	1
9	3014.0302	Hex nut M10 for dry-up protector	1
10	40.01.482	Safety temperature limiter 365°C	1
11	3014.0327	Hex nut M10x1,0	1
12	40.03.696	Contacteur 3RT1023-1AM70-0KR0-ZW97	1
13	40.02.599	Auxiliary contact RH1921-1DA11	1
17	40.03.348	Control transformer T1	1
18	10.01.065	Hex nut M5	1
19	40.03.404	Mounting support transformer	1
20	10.01.065	Hex nut M5	1
21	40.02.424	Electronic noise filter	1
23	1108.0800	Cage nut M8	1
24	10.00.464	Tooth lock washer A20	1
25	4001.0224	Fuse 6.35x32mm	2
26	40.02.512	Fuse holder 2x6.3A	1
29	10.00.365	Pan head screw Torx M3x20	2
37	40.03.952	Terminal block grey WKN 6/U	3
38	40.04.118	Terminal block blue WKN10/U	1
39	40.03.728	Earth terminal WKN 16SL/U	1
40	40.03.726	Terminal block grey WKN 16/U	1

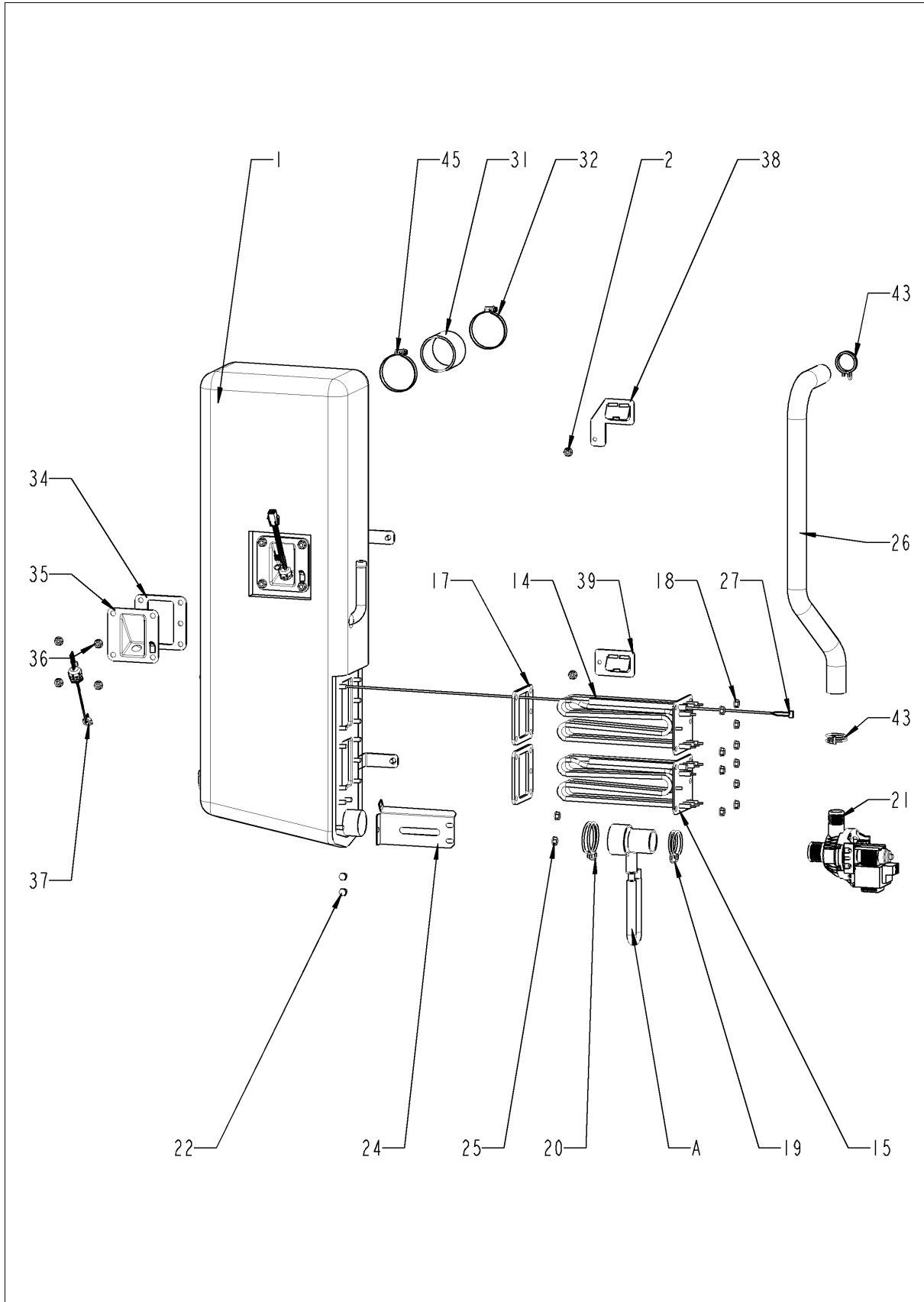
ClimaPlus



ClimaPlus

Pos.	Part No.	Description	Qty.
1	22.00.882	Mounting device f. pressure sensor	1
2	3017.1011	Pressure sensor for humidity control Huba 401	1
4	22.00.850	Outer humidity meas. Piece	1
5	22.00.881	Gasket f. hum. meas. Pipe	1
6	1104.0122	Hex combination nut M4 galv	3
7	22.00.525	Hose set f. humidity control	1
8	22.00.725	Humidity control cpl.	1
9	22.00.915	Air inlet pipe	1
10	22.00.960	Drain hose for humidity control	1
11	2066.0527	Hose clamp ø14mm	2
12	22.00.767	Vent cover	1
13	22.00.837	O-ring for humidity control	2
15	10.00.111	Cable clip long	2

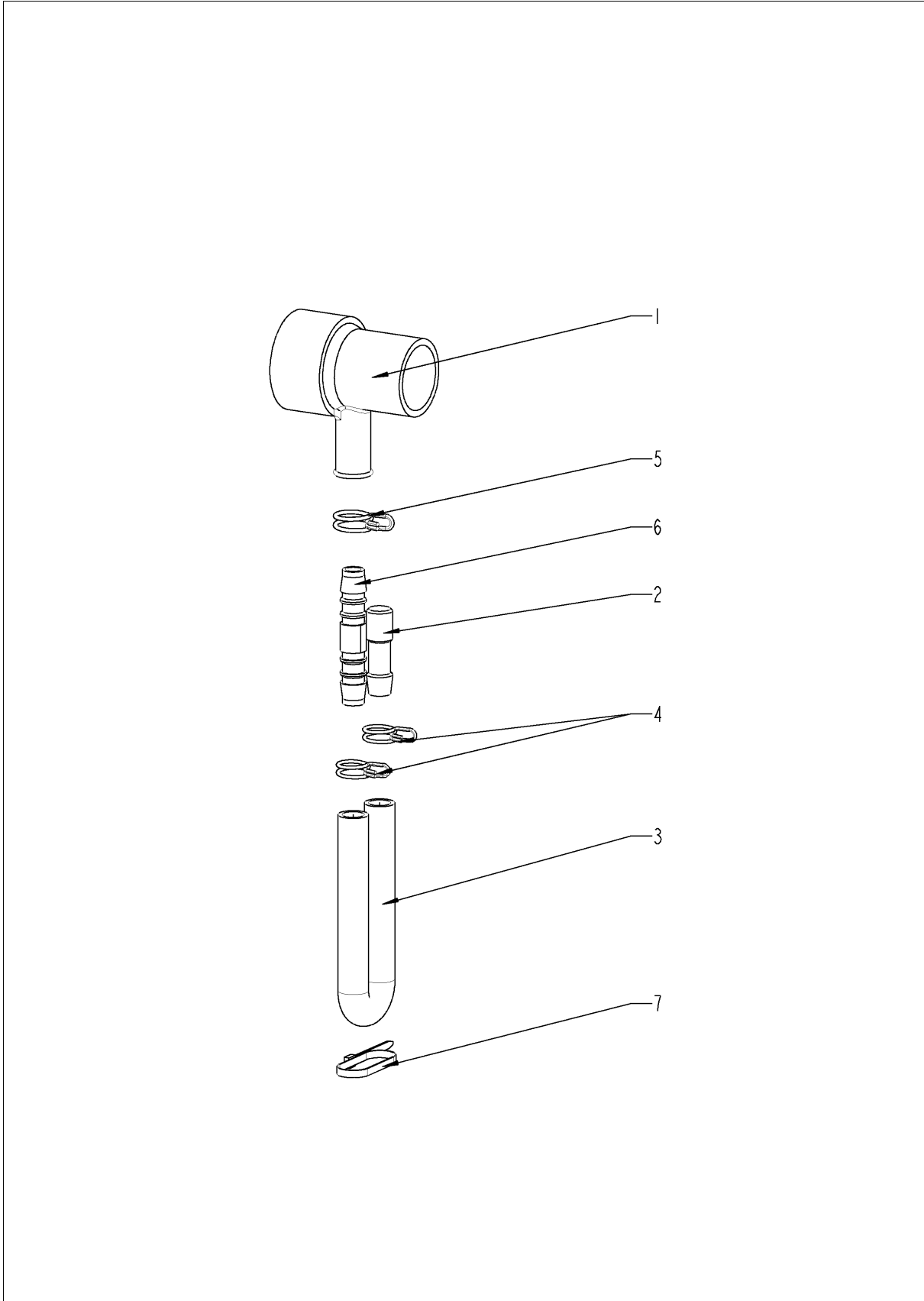
Steam generator



Steam generator

Pos.	Part No.	Description	Qty.
1	44.00.941	Steam generator insolated	1
2	10.00.709	Hex nut M6 w. locking	2
14	44.01.332	Heating element	1
15	44.01.337	Heating element w/o pipe	1
17	44.00.280	Gasket f. heating element+Level elektrode insert	2
18	10.00.709	Hex nut M6 w. locking	10
19	2066.0519	Hose clamp 35,6mm	1
20	2066.0526	Hose clamp ø46mm	1
21	44.00.207	Emptying pump	1
22	1006.0762	Hex screw M6x10	2
24	44.00.232	Fixing device f. pump steam generator	1
25	10.00.709	Hex nut M6 w. locking	2
26	44.01.221	Drain hose steam generator	1
27	40.04.106	Thermocouple steam generator *B5*	1
29	10.00.414	Cable strap black 120°	1
30	1104.0122	Hex combination nut M4 galv	1
31	2112.1006	Steam hose Ø50x50mm	1
32	2066.0504	Hose clamp 40-60mm	1
34	44.00.280	Gasket f. heating element+Level elektrode insert	1
35	2920.1300	Level elektrode insert	1
36	10.00.709	Hex nut M6 w. locking	4
37	44.01.417	Filling level electrode 90 mm	1
38	44.01.168	Fixing angle steam generator	1
39	44.01.181	Fixing angle steam generator	1
43	2066.0518	Hose clamp 30mm	2
45	2066.0504	Hose clamp 40-60mm	1
A	8354.1320	Pump connection spout cpl.	1

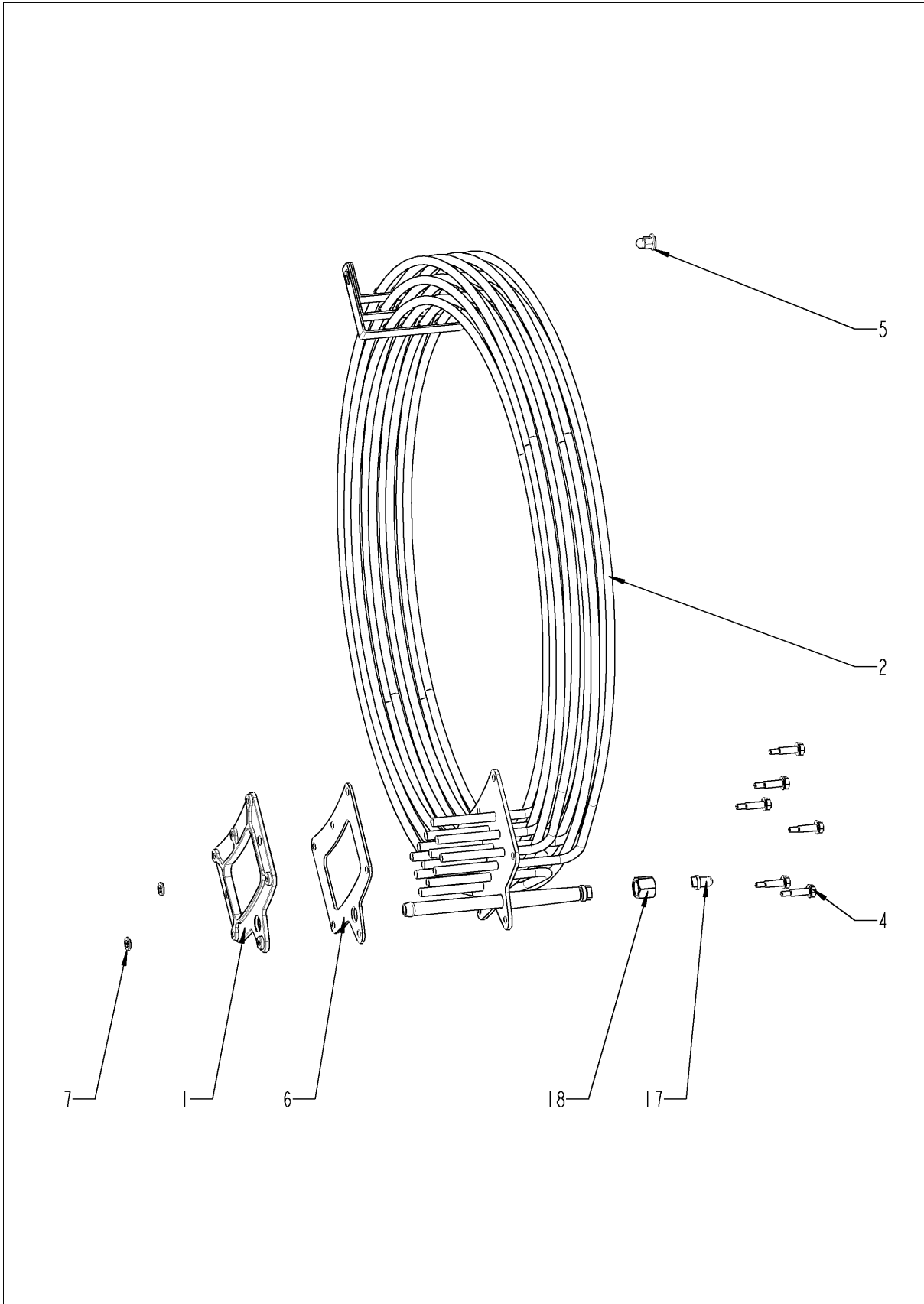
Pump connection spout



Pump connection spout

Pos.	Part No.	Description	Qty.
1	2118.1000	Pump connection spout	1
2	2120.1259	Stop plug 10mm	1
3	2110.1008	Silicon hose \varnothing 10x2mm	1
4	2066.0527	Hose clamp \varnothing 14mm	2
5	2066.0530	Hose clamp \varnothing 16.4mm	1
6	2062.0331	Junction pressure hose GS 10	1
7	4005.0101	Tie rap 145 mm	1

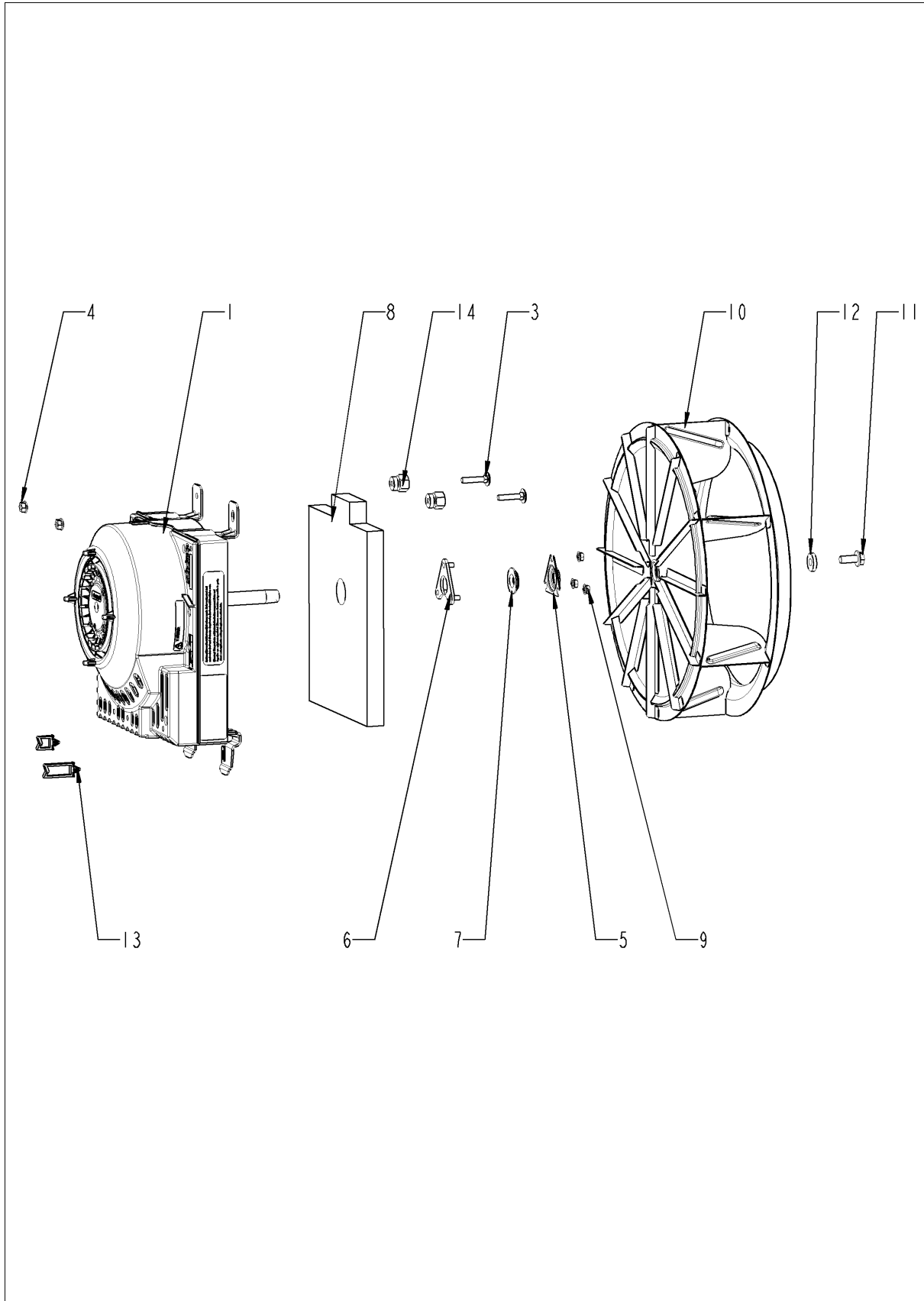
Hot air heating



Hot air heating

Pos.	Part No.	Description	Qty.
1	40.03.410	Mating flange f. heating assembly	1
2	40.03.294	Heating assembly	1
4	10.00.109	Hex screw M5x23	6
5	10.01.076	Cap nut M5*A2	1
6	40.03.415	Gasket f. heating assembly	1
7	1107.0103	Star lock ø3	2
17	50.00.844	Nozzle f. moistening	1
18	50.00.846	Union nut M12x13.2 N	1

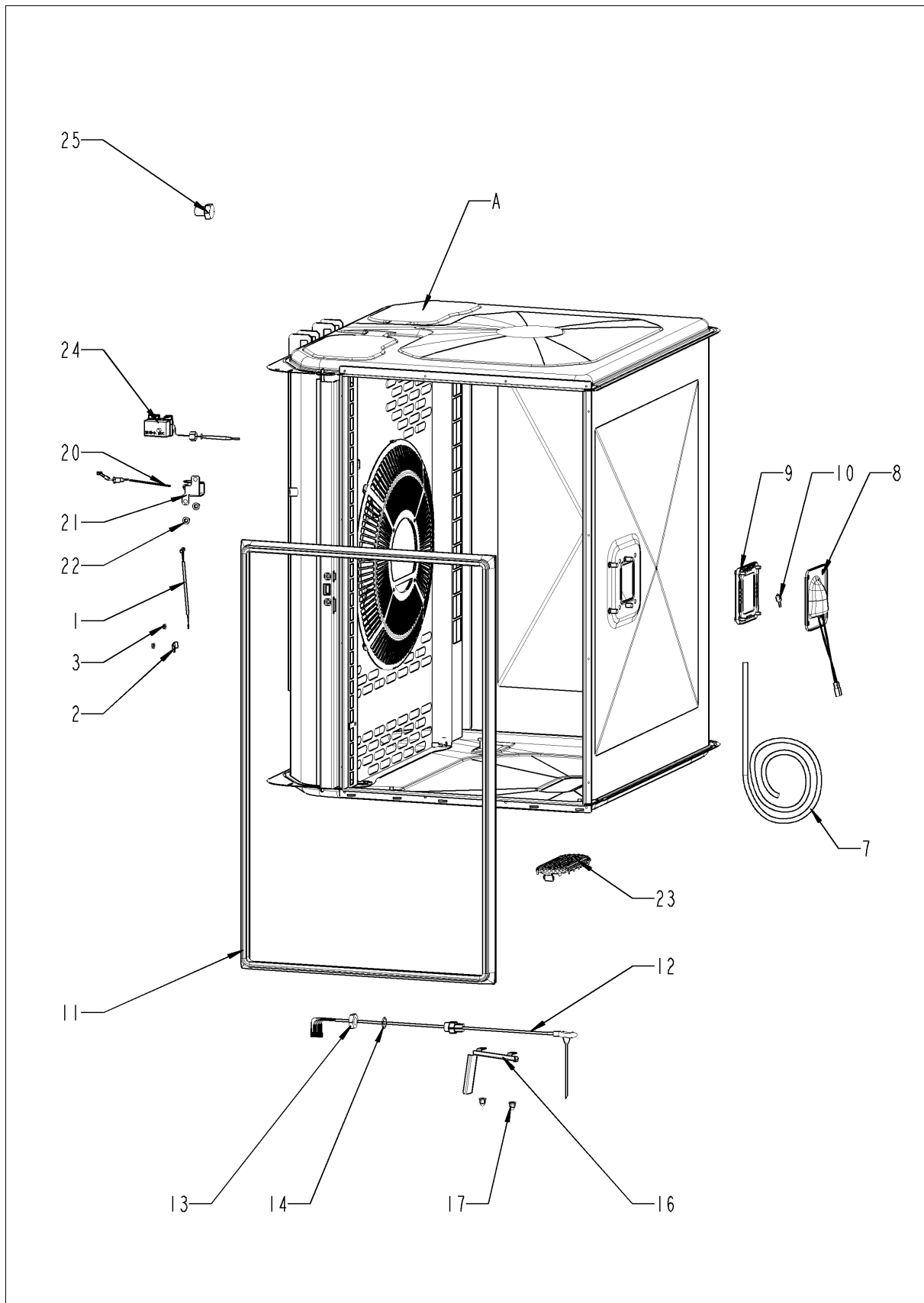
Motor and fan wheel



Motor and fan wheel

Pos.	Part No.	Description	Qty.
1	40.03.378	Fan motor with motor shaft gasket	1
3	10.01.049	Square necked mushroom head bolt 6x30	4
4	10.00.709	Hex nut M6 w. locking	2
5	22.00.721	Flange f. motor shaft gasket	1
6	22.00.722	Mounting support f. gasket flange	1
7	22.00.985	Motor shaft gasket D15	1
8	20.01.755	Isolation for mounting plate for motor	1
9	10.01.065	Hex nut M5	3
10	22.00.828	Fan wheel	1
11	10.00.936	Hex screw M8x20	1
12	1308.0162	Washer A8,4	1
13	10.00.111	Cable clip long	3
14	20.01.411	Bushing for motor mounting bar	4

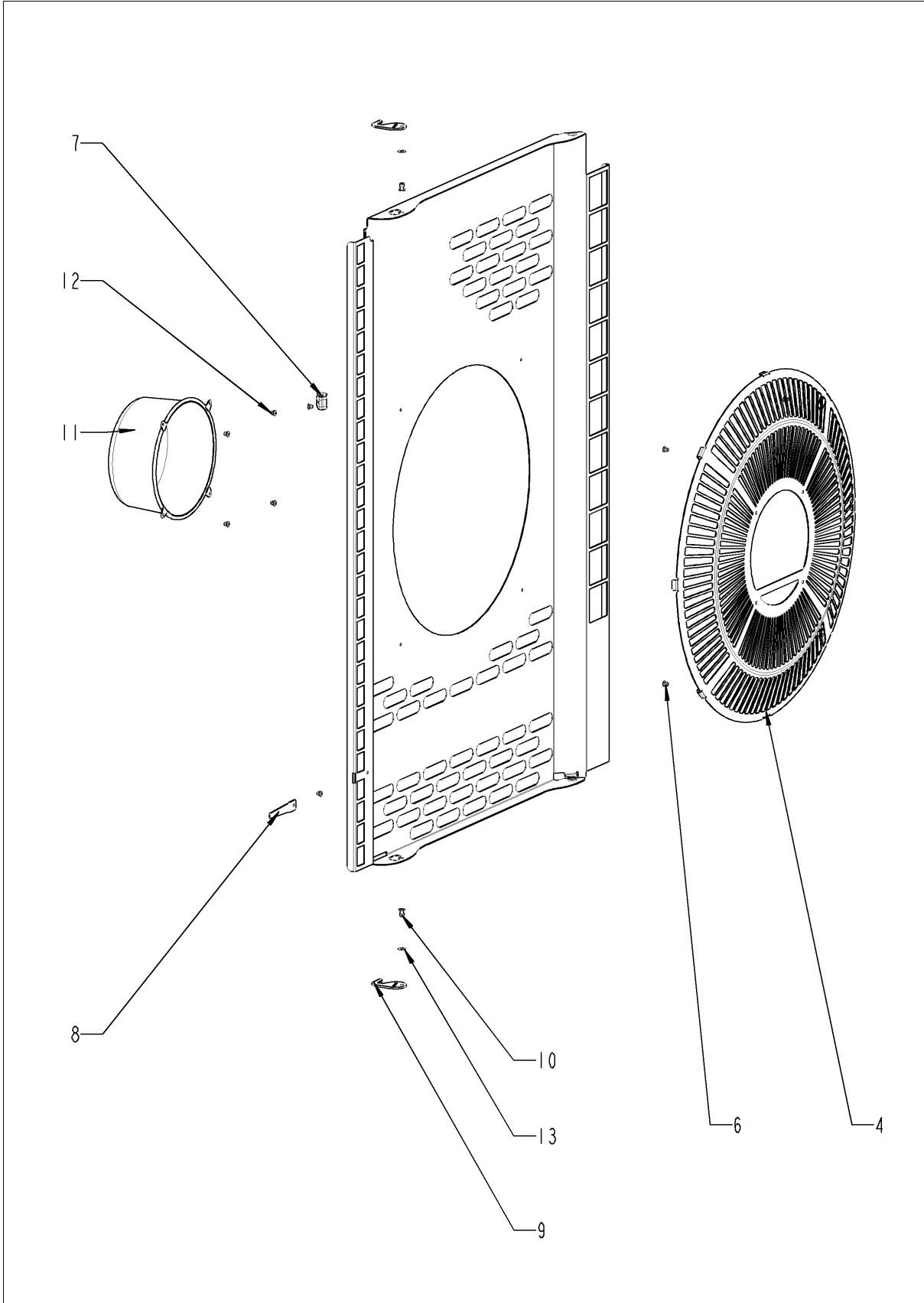
Interior cabinet



Interior cabinet

Pos.	Part No.	Description	Qty.
1	40.00.290	Thermocouple humidity *B4*	1
2	10.00.087	Clamp strap f. sensor	1
3	10.00.100	Hex nut M4, self-locking	1
7	40.04.362	Wiring interior light	1
8	40.00.098	Reflector f. interior light	1
9	40.00.091	Gasket frame w. glass a. gaskets	1
10	3024.0201	Halogen bulb 300°C	1
11	20.01.802	Door gasket	1
12	40.01.604	Meat probe sensor	1
13	10.00.612	Hex nut M16 flat	1
14	1315.0104	Copper washer 16x20x1,5	1
16	40.04.373	Screen core temperature sensor	1
17	10.01.076	Cap nut M5*A2	2
20	40.04.096	Thermocouple interior cabinet B1	1
21	40.03.782	Screen interior cabinet sensor	1
22	10.01.076	Cap nut M5*A2	2
23	54.01.117	Outlet sieve	1
24	40.01.482	Safety temperature limiter 365°C	1
25	3014.0327	Hex nut M10x1,0	1
A	22.00.744	Air baffle	1

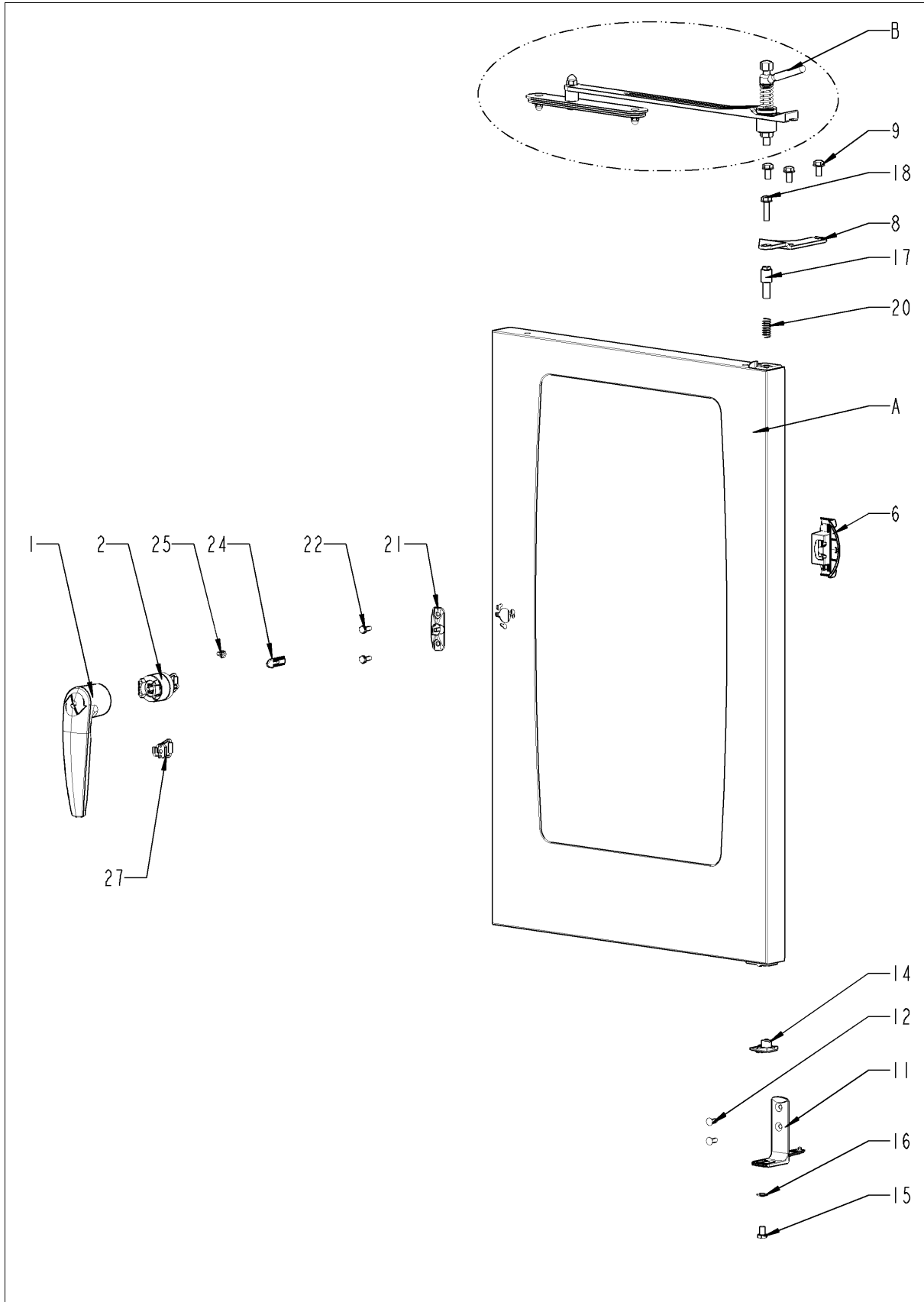
Air baffle



Air baffle

Pos.	Part No.	Description	Qty.
4	22.00.730	Hand protection	1
6	10.00.515	Rivet 3,2x5 A4	4
7	40.03.780	Fixing clip core temp. cable	1
8	22.00.491	Surge guard for Meat probe sensor	1
9	2760.1370	Latch hook for air baffle	2
10	1604.0167	Rivet 4x10	3
11	22.00.361	Deep-draw f. air baffle	1
12	10.00.515	Rivet 3,2x5 A4	4
13	10.00.744	Washer A4,3 *A4	1

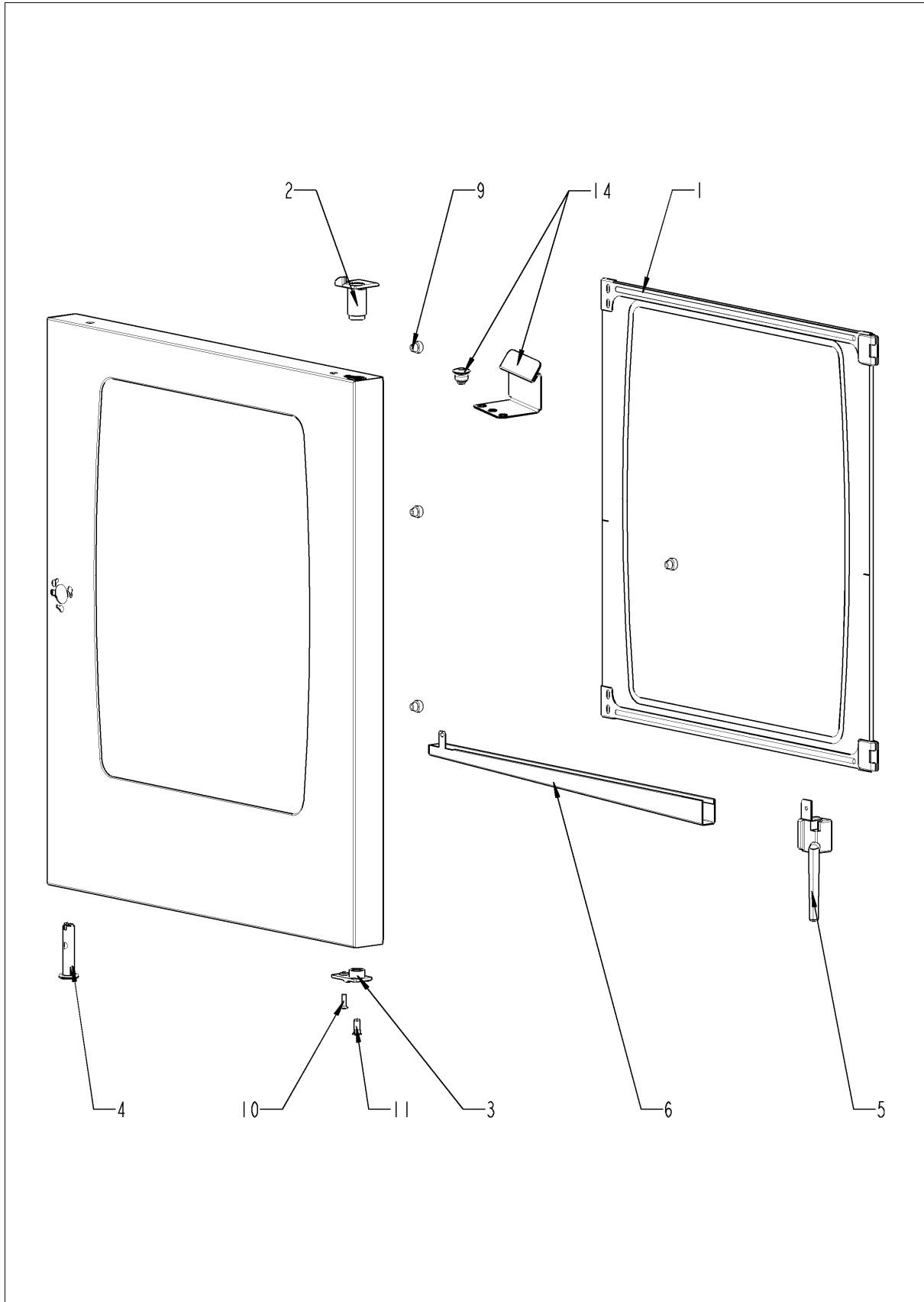
Door



Door

Pos.	Part No.	Description	Qty.
1	24.00.152	Door handle	1
2	24.00.176	Door lock with spring U-bolt	1
6	24.00.504	Lock cover	1
8	24.00.133	Door mounting support top	1
9	1008.0768	Ornamental screw M8x16	3
11	24.00.223	Door mounting support bottom	1
12	1006.1962	Countersunk screw Torx M6x16	2
14	24.00.137	Door bolt	1
15	10.01.162	Hex screw M8x10	1
17	24.00.048	Door bolt	1
18	1008.0769	Ornamental screw M8x30	1
20	2001.0109	Compression spring	1
21	24.00.141	Holding bracket f. door catch	1
22	1006.0760	Hex screw M6x16	2
24	24.00.142	Door catch	1
25	1005.2000	Interlocking tooth screw M5x8	1
27	24.01.100	Spring U-bolt for door lock	1
A	24.00.093	Door	1

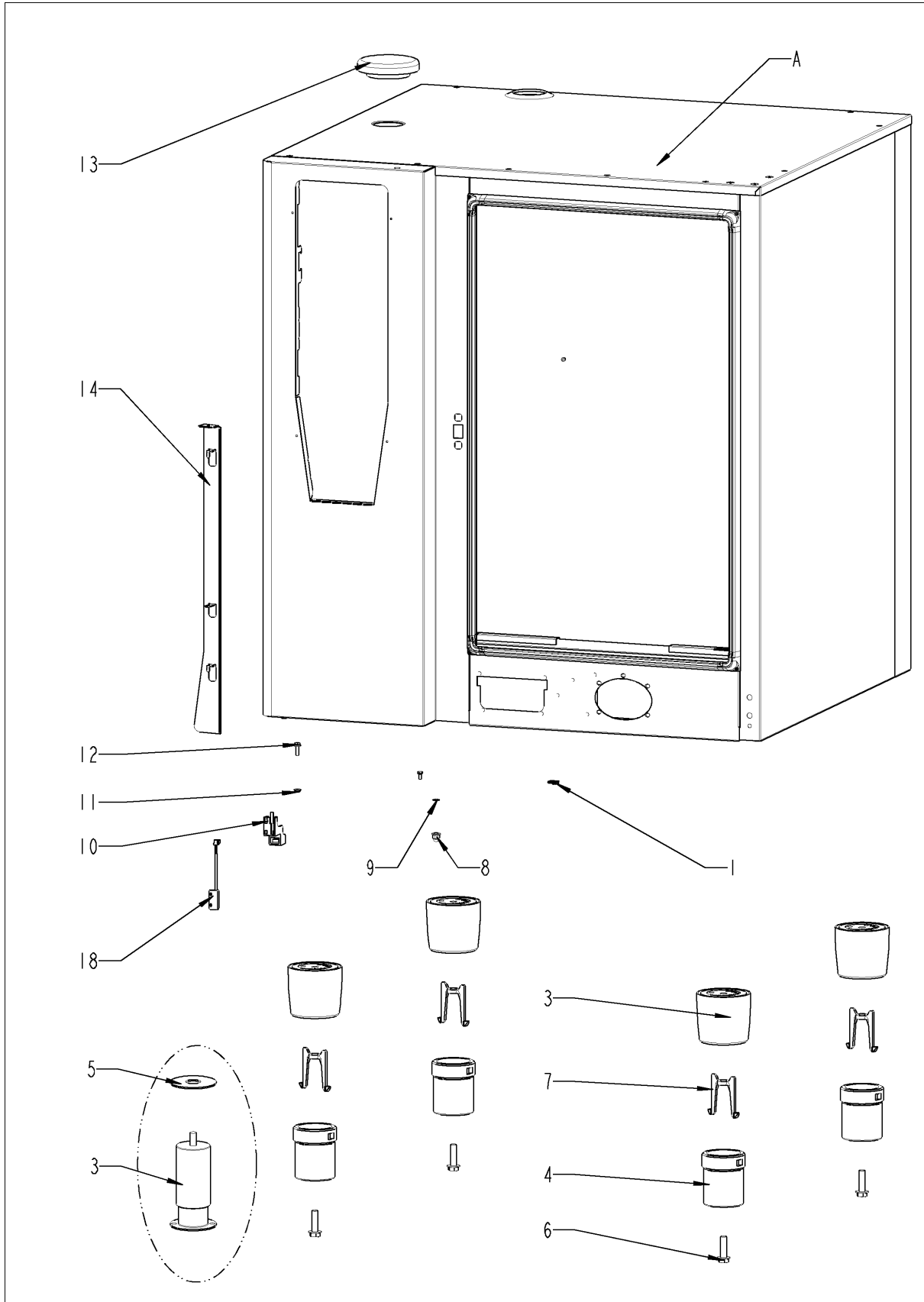
Door



Door

Pos.	Part No.	Description	Qty.
1	24.00.164	Inner glass pane	1
2	24.00.147	Sleeve for door bolt top	1
3	24.00.146	Door setting bolt	1
4	24.00.502	Fixing device f. magnet with magnet	1
5	24.01.188	Drain door drip collector	1
6	24.01.800	Door drip collector	1
9	24.00.171	Silicone buffer 7mm for door	1
10	1005.1966	Countersunk screw Torx M5x16	2
11	10.00.041	Rivet nut M5 hexagon closed	2
14	87.00.077	Fixing bracket kit for interior glass pane	1

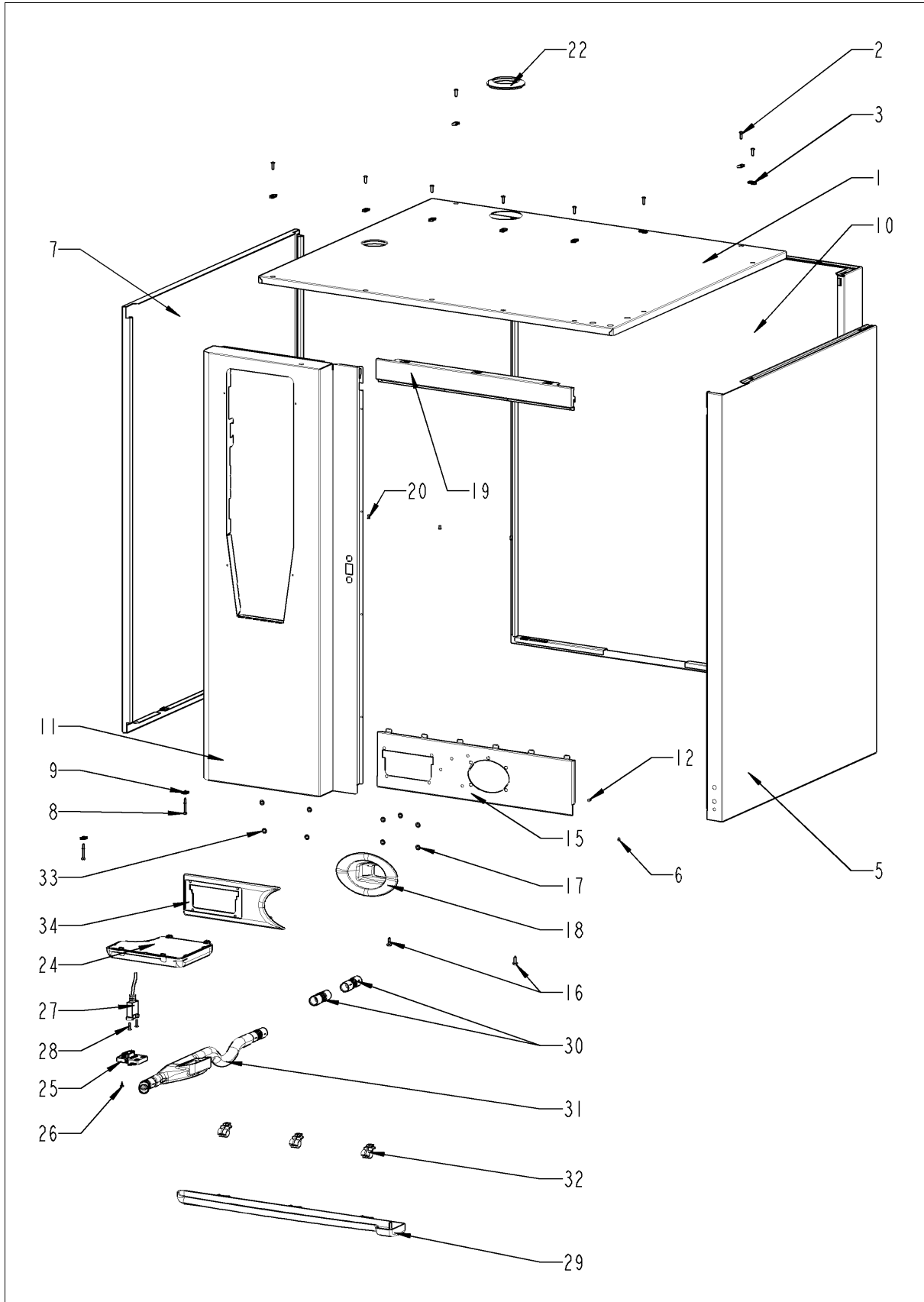
Exterior cabinet



Exterior cabinet

Pos.	Part No.	Description	Qty.
1	1104.0820	Snap nut 4,2mm	2
3	12.00.205	Upper part of pedestal	1
4	12.01.133	Lower part of pedestal	4
6	10.00.975	Hex screw M10x35	1
7	12.00.516	Turning lock f. lower part of pedestal	1
10	16.01.146	Bracket for door contact switch	1
12	10.01.214	Interlocking tooth screw M5x10	1
13	22.00.767	Vent cover	1
14	16.01.965	Opening mechanism for panel insert	1
18	40.04.342	Door switch 0.45m	1
A		Exterior cabinet	1

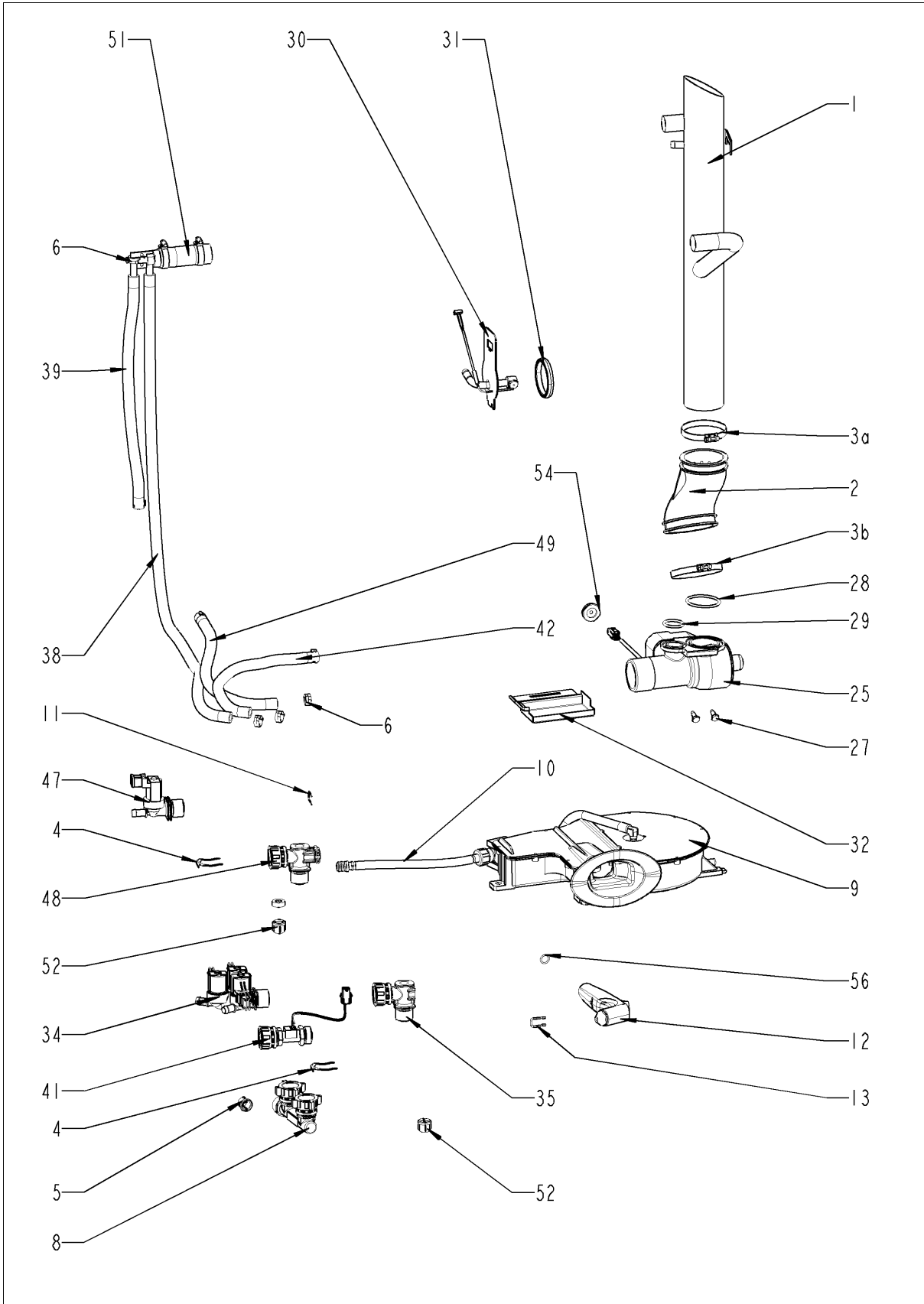
Exterior cabinet



Exterior cabinet

Pos.	Part No.	Description	Qty.
1	16.02.152	Top cover	1
2	1003.2265	Countersunk self tapping screw 4,2x16	9
3	1104.0820	Snap nut 4,2mm	9
5	16.00.127	Side panel right	1
6	1603.0166	Rivet 3,2x7,9 CNS closed	4
7	16.00.128	Side panel left	1
8	10.00.992	Hex self tapping screw B4,2x32	2
9	1104.0820	Snap nut 4,2mm	2
10	16.01.926	Back panel	1
11	16.01.857	Front panel	1
12	1603.0166	Rivet 3,2x7,9 CNS closed	4
15	16.02.623		1
16	1004.2160	Hex self tapping screw 4,2x16	2
19	16.00.180	Crossbar top	1
20	1603.0166	Rivet 3,2x7,9 CNS closed	4
22	16.01.748	Gasket f. breather tube d=63mm	1
24	40.02.684	Air inlet filter cpl.	1
25	16.00.329	Cover f. USB interface	1
26	10.00.103	EJOT PT-screw KA 3.5x10	1
27	40.04.046	Interface cable USB 1.0m	1
28	10.00.460	EJOT PT-Screw Torx 3,5x14	2
29	50.00.286	Drip collector	1
30	50.00.303	Bushing drip collector	2
31	50.01.191	Drain pipe with bushings	1
32	50.00.296	Clip f. drip collector	3

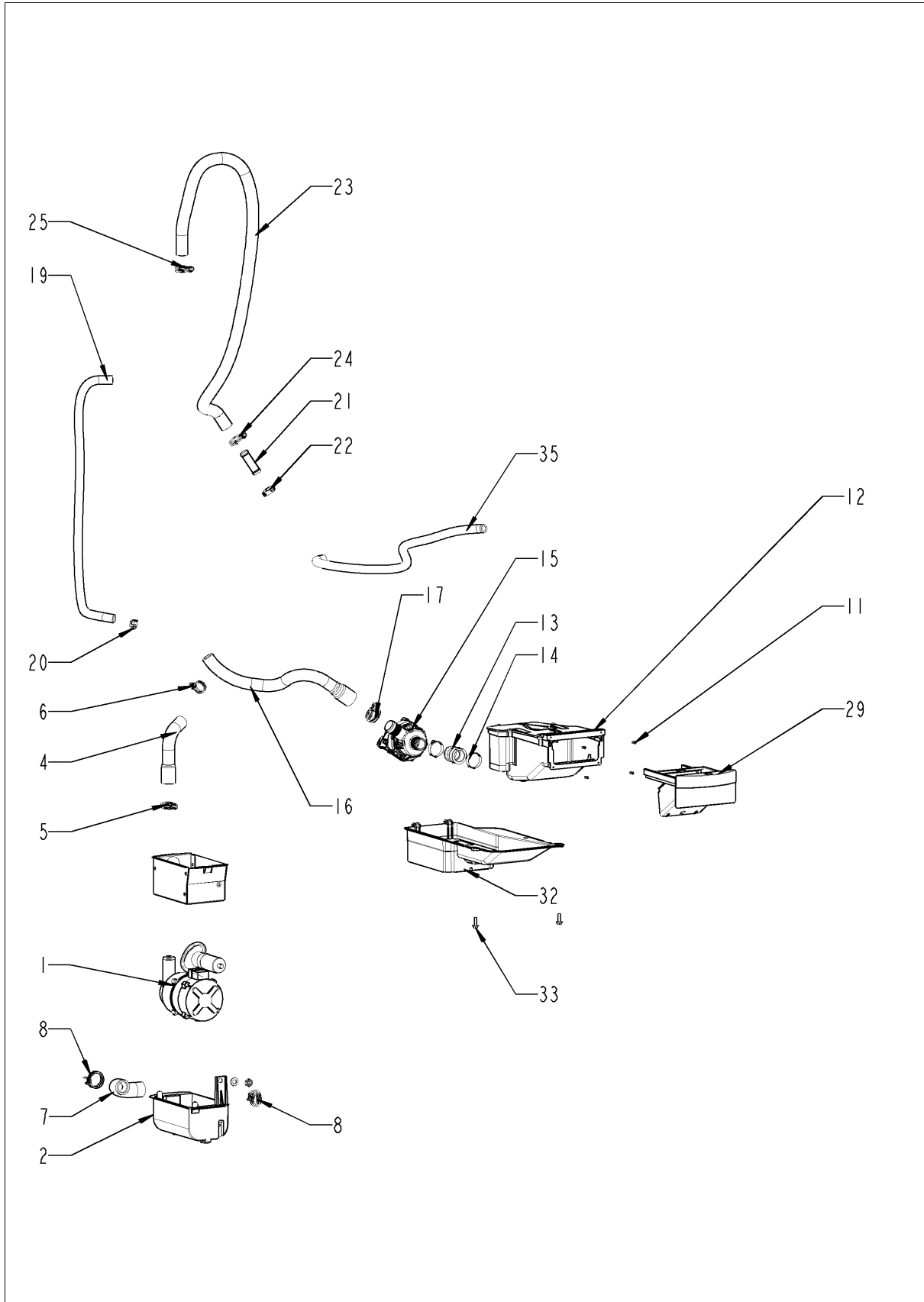
Water



Water

Pos.	Part No.	Description	Qty.
1	54.00.738	Ventilation pipe	1
2	54.01.141	Rubber form piece venting pipe	1
3a	10.01.261	Hose clamp 66 mm	1
3b	10.01.262	Hose clamp 76 mm	1
4	50.00.086	Locking plate f. water distribution	1
5	1900.0202	Water filter	1
6	2066.0205	Hose clamp 8-16x9 mm SW 7mm	2
8	50.00.313	T-fitting water connection	1
9	50.00.140	Hand shower roll guide	1
10	50.01.213	Connect. hose f. hand shower roll guide	1
11	50.00.085	Plug-in spring f. hand shower roll guide	1
12	50.00.130	Hand shower	1
13	50.00.156	Clamp f. hand shower roll guide	1
14	10.01.004	Truss head screw with flange MLF A2 M6x20	1
15	10.00.745	Cap nut M6*A2	1
25	56.00.618	Ball valve drain SCC cpl.	1
27	10.00.449	Pan head screw M6x16	2
28	10.00.511	O-ring for ball valve drain 46x3.5	1
29	10.00.512	O-ring for ball valve drain 26x3.5	1
30	54.01.148	Inspection lid, quenching nozzle, B2	1
31	54.01.168	Gasket f. inspection lid quenching	1
32	54.01.191	Collecting pan	1
33	10.00.745	Cap nut M6*A2	1
34	50.01.050	Triple solenoid valve	1
35	50.00.071	Water distribution hor. w/o roll guide con.	1
38	2067.0050	Pressure hose d10mm	1.15
39	2067.0050	Pressure hose d10mm	.65
41	50.01.640	Water volume sensor	1
42	2067.0050	Pressure hose d10mm	.52
47	50.01.146	Single solenoid valve Y2	1
48	50.00.070	Water distribution hor roll guide con.	1
49	2067.0050	Pressure hose d10mm	.31
51	8354.1304	Venting valve for steam generator	1
52	1900.0202	Water filter	2
54	2022.0101	Grommet d8mm	1
56	50.00.554	O-ring for hand shower 11x2mm	2

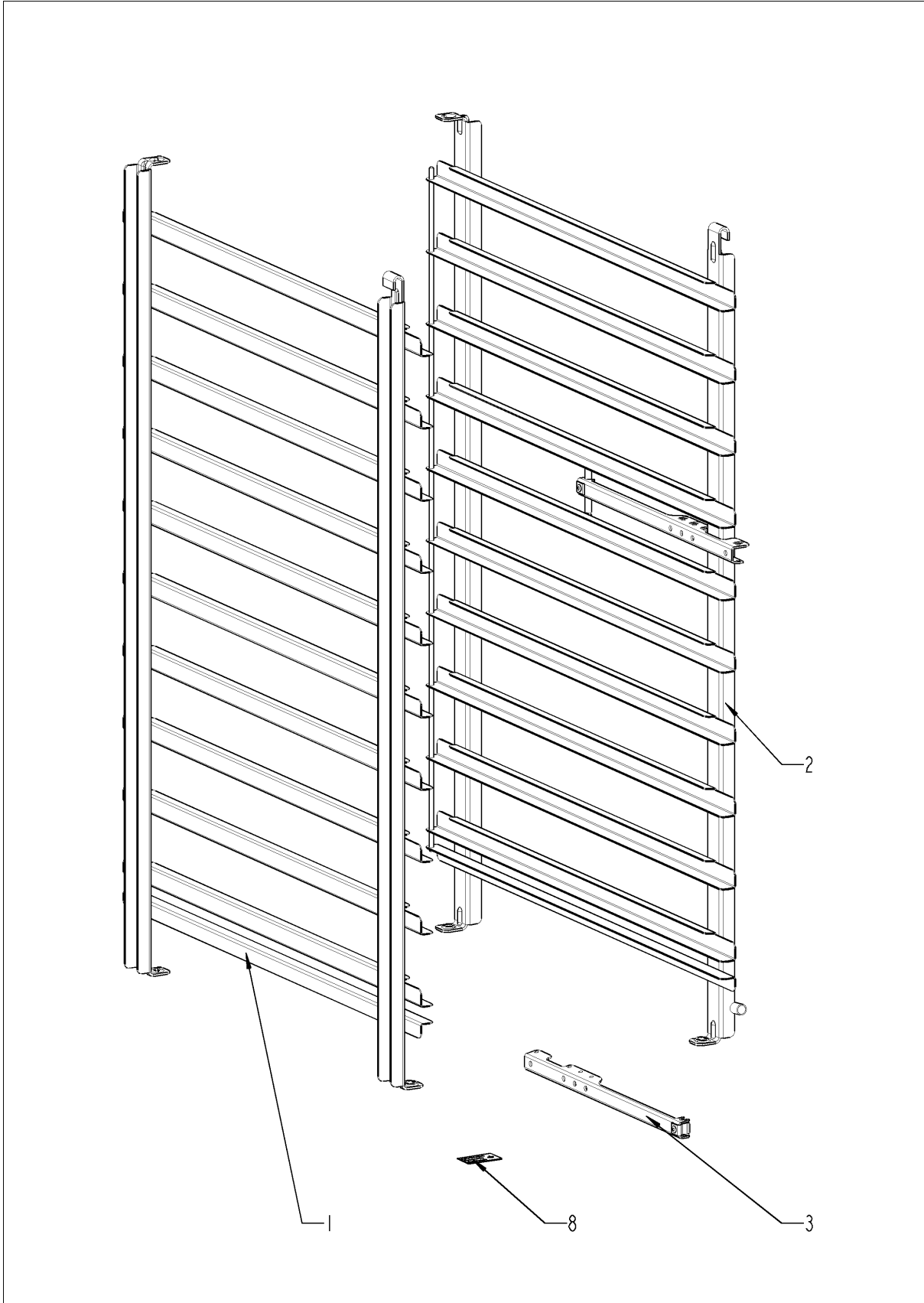
CleanJet + Care



CleanJet + Care

Pos.	Part No.	Description	Qty.
1	56.00.153	Pump f. cleaning UP30	1
2	12.00.319	Housing f. Cleaning pump	1
4	56.00.166	Pressure hose f. cleaning	1
5	2066.0518	Hose clamp 30mm	1
6	2066.0521	Hose clamp 27mm	1
7	56.00.605	Suction hose f. cleaning	1
8	2066.0518	Hose clamp 30mm	2
11	10.00.980	EJOT PT-Screw K30x10	4
12	56.00.492	Care container table unit	1
13	56.00.462	Bushing care container/pump	1
14	10.00.984	Hose clamp CLIC d=27.5mm	2
15	56.00.451	Pump f. CareControl DPS 35	1
16	56.00.534	Care hose 1	1
17	2066.0518	Hose clamp 30mm	1
18	40.02.965	Cable harness solenoid valve / SC-pump	1
19	2067.0164	Pressure hose ø10mm 650mm long	1
20	10.00.873	Hose clamp CLIC d=15.5mm	1
21	56.00.537	Pipe f. Care hose	1
22	10.00.983	Hose clamp CLIC d=23mm	1
23	56.00.428	Care hose 2	1
24	10.00.605	Hose clamp ø25.3	1
25	10.00.979	Cable clamp D=22	1
26	1005.2000	Interlocking tooth screw M5x8	1
29	56.00.488	Drawer Care container	1
32	56.00.375	Cover for pump	1
33	10.01.214	Interlocking tooth screw M5x10	2
35	2067.0050	Pressure hose d10mm	.86

Standard accessory



Standard accessory

Pos.	Part No.	Description	Qty.
1	60.11.364	Hinging rack left	1
2	60.11.365	Hinging rack right	1
3	60.71.022	Positioning support f. core sensor	1
8	10.01.193	Sticker set	1

Index

Part-no.	Description	Page
16.02.623	31
40.04.331	Adaptor cable f. Ball valve drain	9
22.00.744	Air baffle	21
40.02.684	Air inlet filter cpl.	31
22.00.915	Air inlet pipe	11
40.02.599	Auxiliary contact RH1921-1DA11	9
16.01.926	Back panel	31
56.00.618	Ball valve drain SCC cpl.	33
16.01.146	Bracket for door contact switch	29
40.03.996	Bus cable 1.15m	7
56.00.462	Bushing care container/pump	35
50.00.303	Bushing drip collector	31
20.01.411	Bushing for motor mounting bar	19
10.00.979	Cable clamp D=22	35
10.00.111	Cable clip long	11, 19
40.03.446	Cable control harness	9
40.00.306	Cable entry	7
40.02.965	Cable harness solenoid valve / SC-pump	35
40.03.516	Cable MMI - CPU	5
40.03.515	Cable MMI - TFT	5
40.03.467	Cable On-Off switch MMI	5
10.00.414	Cable strap black 120°	13
1108.0800	Cage nut M8	9
10.01.076	Cap nut M5*A2	17, 21
10.00.745	Cap nut M6*A2	33
56.00.492	Care container table unit	35
56.00.534	Care hose 1	35
56.00.428	Care hose 2	35
50.00.156	Clamp f. hand shower roll guide	33
10.00.087	Clamp strap f. sensor	21
50.00.296	Clip f. drip collector	31
54.01.191	Collecting pan	33

Index

Part-no.	Description	Page
2001.0109	Compression spring	25
50.01.213	Connect. hose f. hand shower roll guide	33
40.03.696	Contacto 3RT1023-1AM70-0KR0-ZW97	9
40.03.322	Contacto assembly	9
87.01.005	Control panel insert with overlay	5
42.00.160	Control pcb	7
42.00.112	Control pcb *TFT*	5
40.03.348	Control transformer T1	9
40.03.257	Converter 230VAC 24VDC	7
40.03.428	Cooling fan with NTC	7
1315.0104	Copper washer 16x20x1,5	21
1005.1966	Countersunk screw Torx M5x16	27
1006.1962	Countersunk screw Torx M6x16	25
1003.2265	Countersunk self tapping screw 4,2x16	31
16.01.910	Cover f. control pcb w. gasket	5
16.00.329	Cover f. USB interface	31
56.00.375	Cover for pump	35
16.00.180	Crossbar top	31
22.00.361	Deep-draw f. air baffle	23
16.02.062	Dial f. pulse generator	5
24.00.093	Door	25
24.00.137	Door bolt	25
24.00.048	Door bolt	25
24.00.142	Door catch	25
24.01.800	Door drip collector	27
20.01.802	Door gasket	21
24.00.152	Door handle	25
24.00.176	Door lock with spring U-bolt	25
24.00.223	Door mounting support bottom	25
24.00.133	Door mounting support top	25
24.00.146	Door setting bolt	27
40.04.342	Door switch 0.45m	29

Index

Part-no.	Description	Page
24.01.188	Drain door drip collector	27
22.00.960	Drain hose for humidity control	11
44.01.221	Drain hose steam generator	13
50.01.191	Drain pipe with bushings	31
56.00.488	Drawer Care container	35
50.00.286	Drip collector	31
40.01.329	Dry up protector 183°	9
40.03.728	Earth terminal WKN 16SL/U	9
10.00.980	EJOT PT-Screw K30x10	35
10.00.103	EJOT PT-screw KA 3.5x10	31
10.00.460	EJOT PT-Screw Torx 3,5x14	31
40.02.424	Electronic noise filter	9
44.00.207	Emptying pump	13
40.03.660	Fan housing	7
40.03.378	Fan motor with motor shaft gasket	19
22.00.828	Fan wheel	19
44.01.417	Filling level electrode 90 mm	13
44.01.168	Fixing angle steam generator	13
44.01.181	Fixing angle steam generator	13
87.00.077	Fixing bracket kit for interior glass pane	27
40.03.780	Fixing clip core temp. cable	23
40.03.756	Fixing clip f. pcb	7
40.03.533	Fixing clip f. pcb	7
24.00.502	Fixing device f. magnet with magnet	27
44.00.232	Fixing device f. pump steam generator	13
22.00.721	Flange f. motor shaft gasket	19
16.01.857	Front panel	31
4001.0224	Fuse 6.35x32mm	9
40.02.512	Fuse holder 2x6.3A	9
16.01.748	Gasket f. breather tube d=63mm	31
40.03.415	Gasket f. heating assembly	17
44.00.280	Gasket f. heating element+Level elektrode insert	13

Index

Part-no.	Description	Page
22.00.881	Gasket f. hum. meas. Pipe	11
54.01.168	Gasket f. inspection lid quenching	33
40.00.091	Gasket frame w. glass a. gaskets	21
2022.0101	Grommet d8mm	33
3024.0201	Halogen bulb 300°C	21
22.00.730	Hand protection	23
50.00.130	Hand shower	33
50.00.140	Hand shower roll guide	33
40.03.931	Heat sink small 2 SSR	7
40.03.294	Heating assembly	17
44.01.332	Heating element	13
44.01.337	Heating element w/o pipe	13
1104.0122	Hex combination nut M4 galv	11, 13
1105.0121	Hex combination nut M5 galv	7
10.00.100	Hex nut M4, self-locking	21
10.01.065	Hex nut M5	9, 19
10.00.709	Hex nut M6 w. locking	13, 19
3014.0302	Hex nut M10 for dry-up protector	9
3014.0327	Hex nut M10x1,0	9, 21
10.00.612	Hex nut M16 flat	21
10.00.109	Hex screw M5x23	17
1006.0762	Hex screw M6x10	13
1006.0760	Hex screw M6x16	25
10.01.162	Hex screw M8x10	25
10.00.936	Hex screw M8x20	19
10.00.975	Hex screw M10x35	29
1004.2160	Hex self tapping screw 4,2x16	31
10.00.992	Hex self tapping screw B4,2x32	31
60.11.364	Hinging rack left	37
60.11.365	Hinging rack right	37
24.00.141	Holding bracket f. door catch	25
2066.0205	Hose clamp 8-16x9 mm SW 7mm	33

Index

Part-no.	Description	Page
2066.0521	Hose clamp 27mm	35
2066.0518	Hose clamp 30mm	13, 35
2066.0519	Hose clamp 35,6mm	13
2066.0504	Hose clamp 40-60mm	13
10.01.261	Hose clamp 66 mm	33
10.01.262	Hose clamp 76 mm	33
10.00.873	Hose clamp CLIC d=15.5mm	35
10.00.983	Hose clamp CLIC d=23mm	35
10.00.984	Hose clamp CLIC d=27.5mm	35
2066.0527	Hose clamp ø14mm	11, 15
2066.0530	Hose clamp ø16.4mm	15
10.00.605	Hose clamp ø25.3	35
2066.0526	Hose clamp ø46mm	13
22.00.525	Hose set f. humidity control	11
12.00.319	Housing f. Cleaning pump	35
22.00.725	Humidity control cpl.	11
24.00.164	Inner glass pane	27
54.01.148	Inspection lid, quenching nozzle, B2	33
40.04.046	Interface cable USB 1.0m	31
1005.2000	Interlocking tooth screw M5x8	25, 35
10.01.214	Interlocking tooth screw M5x10	29, 35
20.01.755	Isolation for mounting plate for motor	19
2062.0331	Junction pressure hose GS 10	15
2760.1370	Latch hook for air baffle	23
2920.1300	Level elektrode insert	13
24.00.504	Lock cover	25
50.00.086	Locking plate f. water distribution	33
40.03.928	Loudspeaker cpl.	7
12.01.133	Lower part of pedestal	29
40.03.410	Mating flange f. heating assembly	17
40.01.604	Meat probe sensor	21
42.00.081	MMI pcb	5

Index

Part-no.	Description	Page
22.00.985	Motor shaft gasket D15	19
40.03.312	Mounting base for control pcb	7
22.00.882	Mounting device f. pressure sensor	11
40.03.372	Mounting device heat sink SSR	7
22.00.722	Mounting support f. gasket flange	19
40.03.404	Mounting support transformer	9
50.00.844	Nozzle f. moistening	17
10.00.512	O-ring for ball valve drain 26x3.5	33
10.00.511	O-ring for ball valve drain 46x3.5	33
50.00.554	O-ring for hand shower 11x2mm	33
22.00.837	O-ring for humidity control	11
16.01.965	Opening mechanism for panel insert	29
1008.0768	Ornamental screw M8x16	25
1008.0769	Ornamental screw M8x30	25
22.00.850	Outer humidity meas. Piece	11
54.01.117	Outlet sieve	21
10.00.449	Pan head screw M6x16	33
10.00.365	Pan head screw Torx M3x20	9
10.01.266	Pan head screw Torx T20 10,5mm	7
10.00.061	Pan head screw Torx T20 M4x12	7
56.00.537	Pipe f. Care hose	35
50.00.085	Plug-in spring f. hand shower roll guide	33
60.71.022	Positioning support f. core sensor	37
8801.0136	Power supply cable 5x4mm ² 3m	7
2067.0050	Pressure hose d10mm	33, 35
56.00.166	Pressure hose f. cleaning	35
2067.0164	Pressure hose ø10mm 650mm long	35
3017.1011	Pressure sensor for humidity control Huba 401	11
40.00.404	Pulse generator	5
2118.1000	Pump connection spout	15
8354.1320	Pump connection spout cpl.	13
56.00.451	Pump f. CareControl DPS 35	35

Index

Part-no.	Description	Page
56.00.153	Pump f. cleaning UP30	35
40.00.098	Reflector f. interior light	21
10.00.515	Rivet 3,2x5 A4	23
1603.0166	Rivet 3,2x7,9 CNS closed	31
1604.0167	Rivet 4x10	23
10.00.041	Rivet nut M5 hexagon closed	27
10.00.989	Rivet with screw	7
54.01.141	Rubber form piece venting pipe	33
40.01.482	Safety temperature limiter 365°C	9, 21
40.04.373	Screen core temperature sensor	21
40.03.782	Screen interior cabinet sensor	21
42.00.128	SD-memory card 4GB	7
16.01.908	Sealing f. panel insert	5
16.00.128	Side panel left	31
16.00.127	Side panel right	31
2110.1008	Silicon hose ø10x2mm	15
24.00.171	Silicone buffer 7mm for door	27
50.01.146	Single solenoid valve Y2	33
24.00.147	Sleeve for door bolt top	27
1104.0820	Snap nut 4,2mm	29, 31
40.01.589	Solid state relais	7
24.01.100	Spring U-bolt for door lock	25
10.01.049	Square necked mushroom head bolt 6x30	19
1107.0103	Star lock ø3	17
44.00.941	Steam generator insolated	13
2112.1006	Steam hose Ø50x50mm	13
10.01.193	Sticker set	37
2120.1259	Stop plug 10mm	15
56.00.605	Suction hose f. cleaning	35
22.00.491	Surge guard for Meat probe sensor	23
50.00.313	T-fitting water connection	33
40.04.118	Terminal block blue WKN10/U	9

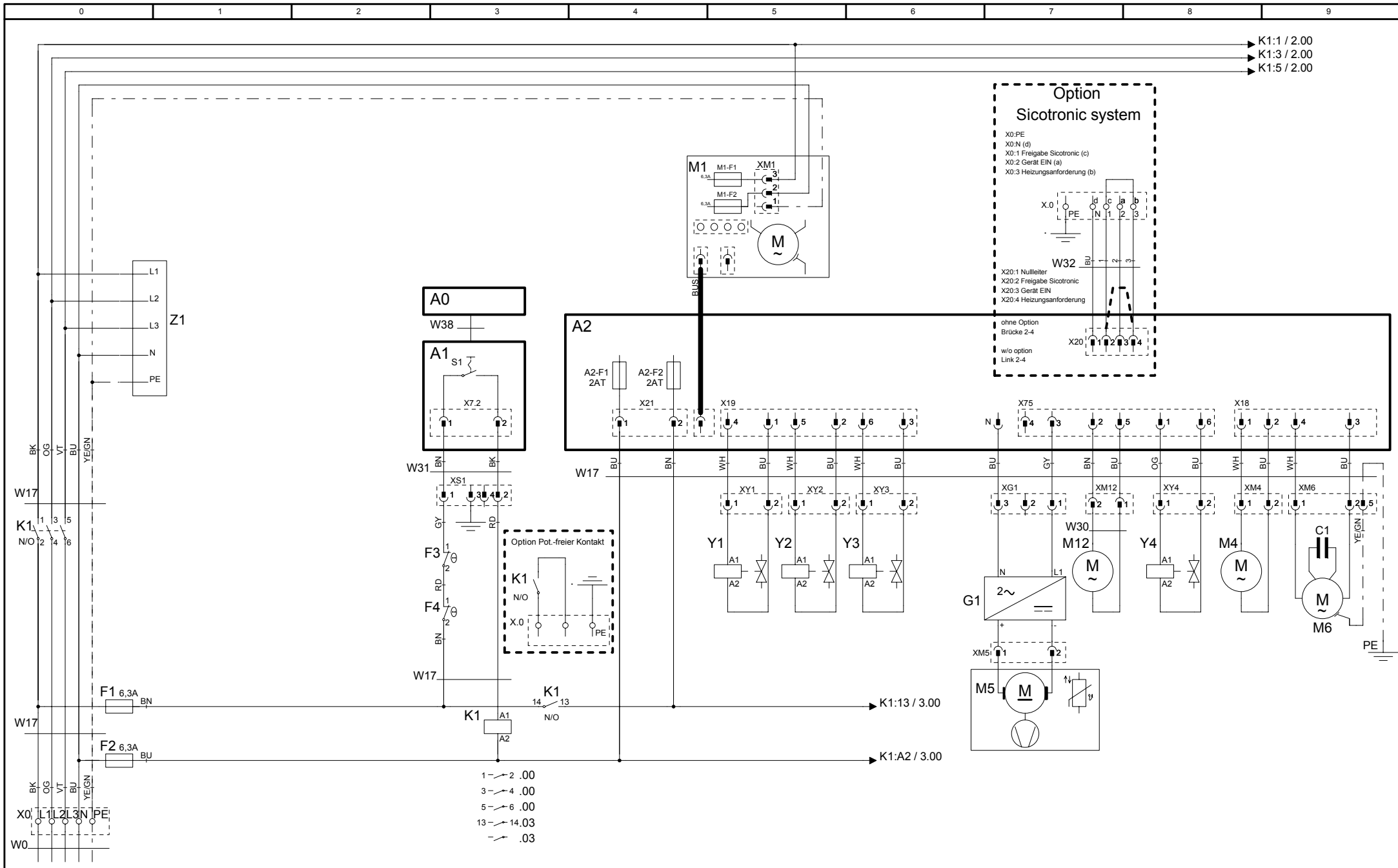
Index

Part-no.	Description	Page
40.03.952	Terminal block grey WKN 6/U	9
40.03.726	Terminal block grey WKN 16/U	9
40.00.290	Thermocouple humidity *B4*	21
40.04.096	Thermocouple interior cabinet B1	21
40.04.106	Thermocouple steam generator *B5*	13
4005.0101	Tie rap 145 mm	15
40.03.732	Tie rap 160 mm	7
1204.0120	Tooth lock washer A4,3	7
10.00.464	Tooth lock washer A20	9
16.02.152	Top cover	31
50.01.050	Triple solenoid valve	33
10.01.004	Truss head screw with flange MLF A2 M6x20	33
12.00.516	Turning lock f. lower part of pedestal	29
50.00.846	Union nut M12x13.2 N	17
12.00.205	Upper part of pedestal	29
22.00.767	Vent cover	11, 29
54.00.738	Ventilation pipe	33
8354.1304	Venting valve for steam generator	33
10.00.744	Washer A4,3 *A4	23
1308.0162	Washer A8,4	19
50.00.070	Water distribution hor roll guide con.	33
50.00.071	Water distribution hor. w/o roll guide con.	33
1900.0202	Water filter	33
50.01.640	Water volume sensor	33
40.04.362	Wiring interior light	21

Deckblatt Elektrische Dokumentation, Cover sheet electrical Documentation

Die Elektrische Dokumentation besteht aus: 1. diesem Deckblatt, 2. dem Schaltplan und 3. der Legende der elektrischen Bauteile
The electric documentation contains: 1. this cover sheet, 2. the wiring diagram and 3. the bill of material (BOM)

Typ Type	SCC WE 101E		
Spannung (SPL) Voltage	3NAC400 V 50/60 Hz		
Deckblatt-Nr. Front Page No.	75-21775	Version	2
Schaltplan Wiring diagram	76-00697	Version	2
Legende Legend electr. components	78-00722	Version	7
Geräteserialnr. Serial number	E11SH1102	Version	1102
Erstellt am Created at	30.08.2013	Ersteller Creator	SCHD
Gültig ab Valid from	15.09.2014	Änderung Modification	20140080

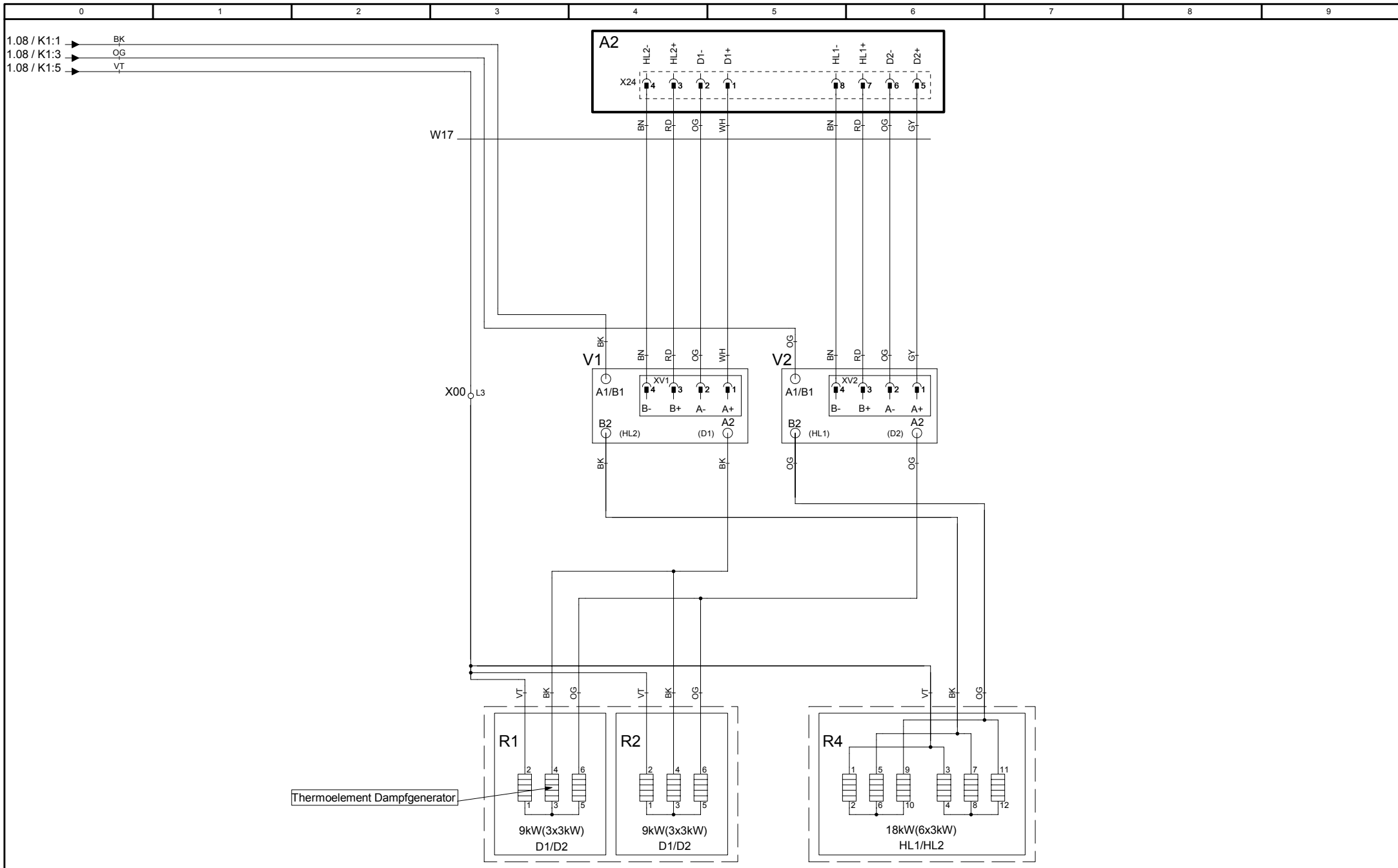


76-00697	2
Version	2

MODUL 1 Leistung/Power

SCC WE 101E 3NAC400 V 50/60 Hz
--

Erstellt von	SCHD
Datum	15.09.2014
Blatt	1

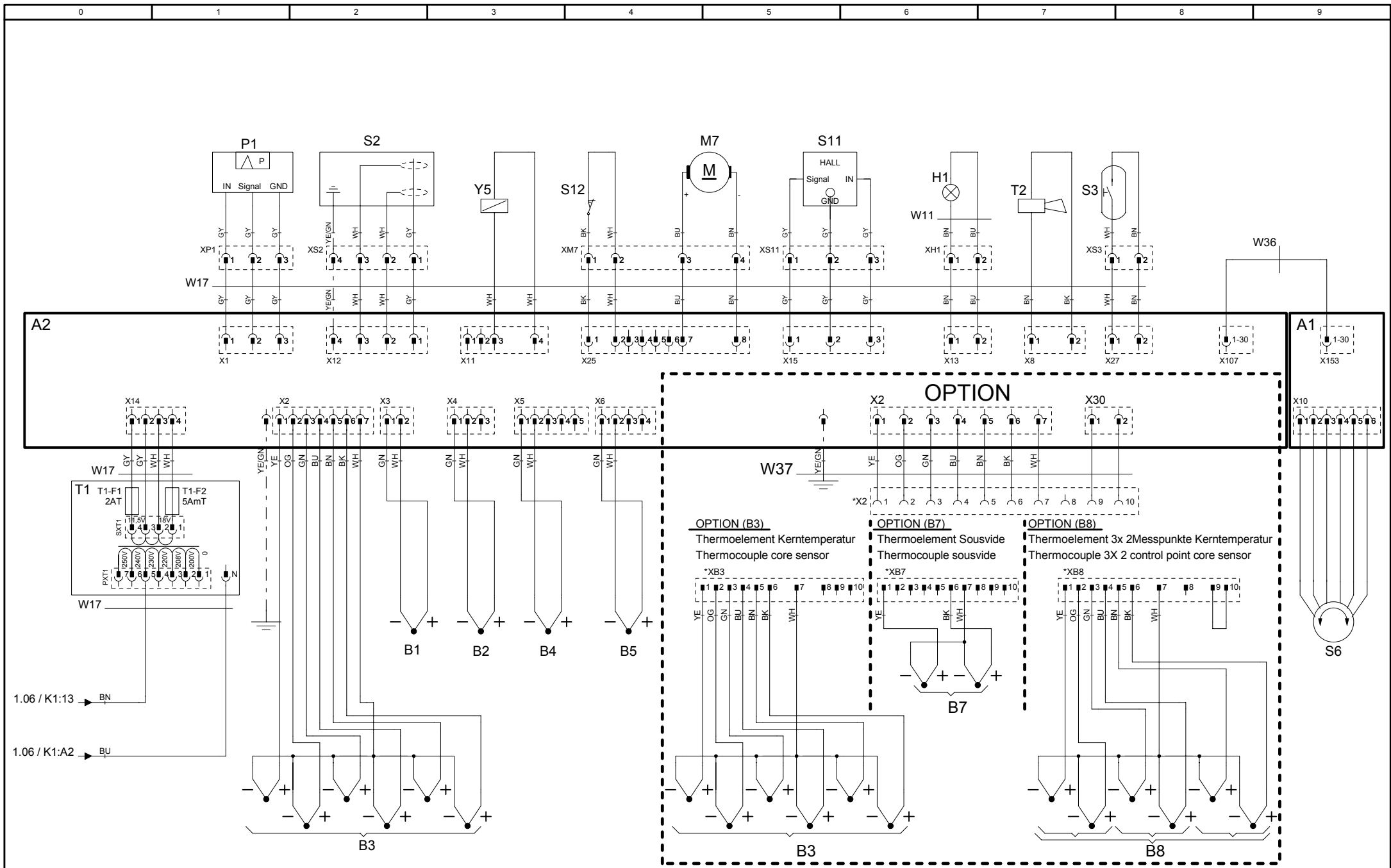


76-00697
Version 2

MODUL 2 Heizung/Heating

SCC WE 101E 3NAC400 V 50/60 Hz
--

Erstellt von	SCHD
Datum	15.09.2014
Blatt	2



76-00697

MODUL 3
Sensoren/Sensors

SCC WE 101E

3NAC400 V 50/60 Hz

Erstellt von SCHD

Datum 15.09.2014

Blatt 3

Version

2

Positionsliste
Bill of material

Name Name	Artikelnr. Item number	Artikelbezeichnung	Item description		
-A0	42.00.112	TFT Touch	TFT Touch		
-A1	42.00.081	Interface Platine	Interface PCB		
-A2	42.00.160	CPU SCC WE	CPU SCC WE		
-A2-F1/F2	3019.0120	Sicherung A2 - 2AT	Fuse A2 - 2AT		
-B1	40.04.096	Thermoelement Garraum	Thermocouple interior cabinet		
-B2	54.01.148	Thermoelement Ablöschung	Thermocouple quenching		
-B3	40.01.604	Thermoelement Kerntemperatur	Thermocouple core sensor		
-B4	40.00.290	Thermoelement Feuchte	Thermocouple humidity		
-B5	40.04.106	Thermoelement Dampfgenerator	Thermocouple steam generator		
-F1/F2	4001.0224	Steuersicherung	Control fuse		
-F3	40.01.329	Sicherheitstemperaturbegrenzer DG	Safety thermostat steam generator SG		
-F4	40.01.482	Sicherheitstemperaturbegrenzer 360°C/680°F	Safety thermostat interior cabinet 360°C/680°F		
-G1	40.03.257	Gleichrichter Kühlblüfer	DC converter cooling fan		
-H1	3024.0201	Garraumbeleuchtung	Interior cabinet light		
-K1	40.03.696	Hauptschütz	Main contactor		
-M1	40.03.378	Lüftermotor	Fan motor		
-M12	56.00.451	Pumpe Pflegemittel	Care pump		
-M4	44.00.207	SC-Pumpe	SC-pump		
-M5	40.03.428	Kühlblüfer	Cooling fan		
-M6	56.00.153	CleanJet Pumpe SCC WE	CleanJet pump SCC WE		
-M7	56.00.618	Kugelhahn Ablauf	Drain valve		
-P1	3017.1011	Differenzdrucksensor	Differential pressure sensor		
-R1	44.01.332	Dampfheizkörper	Heating element steam		
-R2	44.01.337	Dampfheizkörper	Heating element steam		
-R4	40.03.294	Heißluftheizkörper	Heating element hot air		
-S1	TEXT	Ein/Aus Schalter	ON/OFF switch		
-S11	50.01.640	CDS-Sensor	CDS-sensor		
-S2	44.01.417	Niveauelektrode	Water level electrode		
-S3	40.04.342	Türkontaktschalter	Door contact switch		
-S6	40.00.404	Zentrales Einstellrad	Central dial		
-T1	40.03.348	Steuertrafo	Control transformer		
Änderungsdatum	22.04.2014	Name	SCC WE 101E	Dokument-Nr.	78-00722
Erzeuger	SCHD	Spannung	3NAC400 V 50/60 Hz	Version	7

Positionsliste
Bill of material

Name Name	Artikelnr. Item number	Artikelbezeichnung	Item description
-T1-F1	3019.0120	Sicherung Steuertrafo T1 2AT	Fuse control transformer T1 2AT
-T1-F2	3019.0114	Sicherung Steuertrafo T1 5AmT	Fuse control transformer T1 5AmT
-T2	40.03.928	SCC WE: Lautsprecher / CMP: Alarmsummer	SCC WE: Speaker / CMP: Buzzer
-V1-V12	40.01.589	Leistungshalbleiter	Solid state relais
-W0	8801.0136	Anschlusskabel	Cable: power supply
-W11	40.04.362	Kabel: Garraumbeleuchtung	Cable: interior cabinet light
-W17	40.03.446	Kabel: Steuerstamm	Cable: control harness
-W30	40.02.965	Kabel: Adapterkabel Pumpe Pflegemittel 61-102	Cable: adapter care pump 61-102
-W31	40.03.467	Kabel: Ein/Aus Schalter	Cable: ON/OFF switch
-W36	40.03.516	Kabel: Interface Platine - CPU SCC WE	Cable: Interface PCB - CPU SCC WE
-W38	40.03.515	Kabel: Interface Platine-TFT Touch	Cable: Interface PCB-TFT Touch
-Y1/Y3/Y4	50.01.050	Y1: Magnetventil Füllen / SCC WE Y3: Beschwadung / Y4: Pflegemittel	Y1: Solenoid valve filling / SCC WE Y3: moistening / Y4: care
-Y2	50.01.146	Magnetventil Ablöschung	Solenoid valve quenching
-Y5	22.00.725	Klimaventil	Clima valve
-Z1	40.02.424	Entstörfilter/Varistor	Electronic noise filter

Änderungsdatum	22.04.2014	Name	SCC WE 101E	Dokument-Nr.	78-00722
Erzeuger	SCHD	Spannung	3NAC400 V 50/60 Hz	Version	7