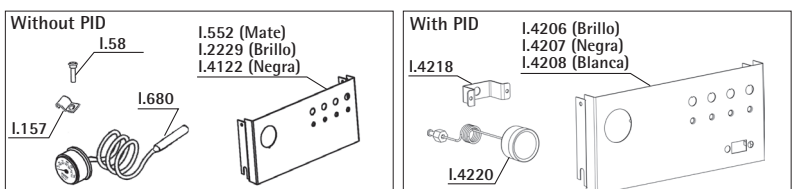


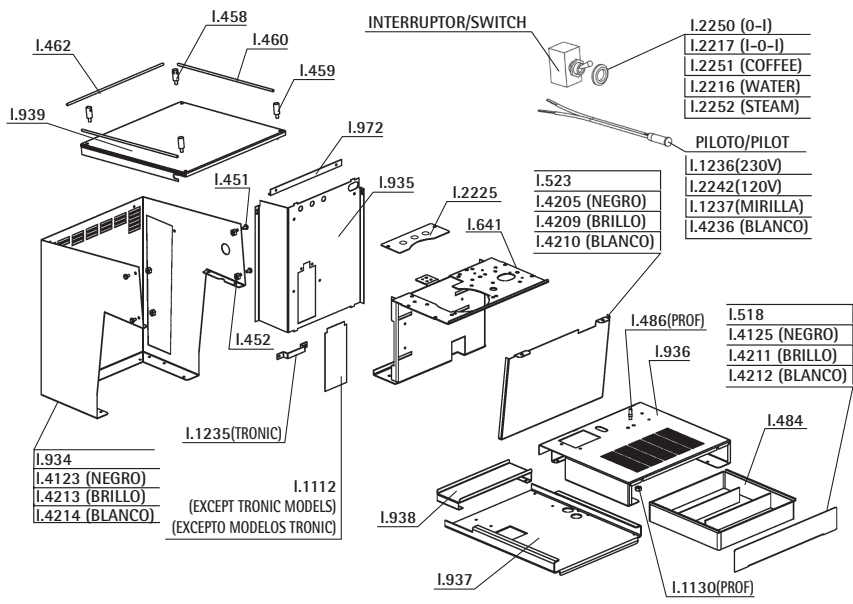


# Steel Pid Duo

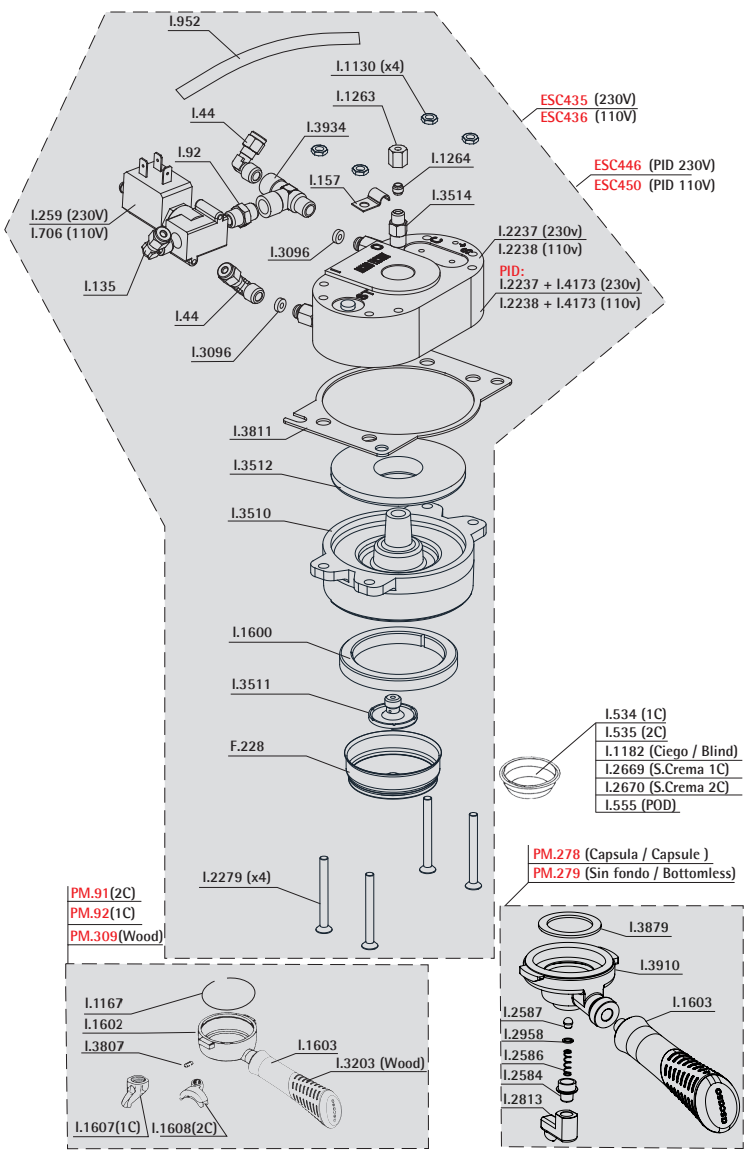
REF.	DESCRIPCIÓN	DESCRIPTION
I..58	TORNILLO BRIDA FUSIBLE	SCREW SPRING
I..157	MUELLE FIJACION FUSIBLE PF	ON-OFF BIP. SWITCH
I..158	INTERRUPTOR DREAM BIPOLAR ON-OFF	DREAM ON-ON SWITCH
I..163	INTERRUPTOR DREAM ON-ON	FRONTAL SCREW
I..451	TORNILLO SUJECION CARATULA	FRONTAL NUT
I..452	TUERCA SUJECION CARATULA	CORNER SUPPORT
I..458	SOPORTE BARANDILLA ESQUINA	SUPPORT
I..459	SOPORTE BARANDILLA LINEA	LATERAL BAR (257mm)
I..460	VARILLA LATERAL 257mm	BACK ROD DUO
I..462	VARILLA FONDO DUO 250mm	WATER DRAWER
I..484	CAJON AGUA	PROF STEM
I..486	BOQUILLA DESCARGA UNO	FRONTAL
I..518	FRONTAL CAJON UNO-DUO	EMBELLISH DUO
I..523	FRONTAL INTER. UNO DUO	MASK UNO DUO PROF
I..552	CARATULA UNO DUO PROF	DUO PROF.MECHANISME BASE
I..641	BASE MECANISMOS UNO DUO	STEEL TERMOMETER
I..680	TERMOMETRO STEEL	UNO DUO DL ENVELOPING
I..934	CARROCERIA UNO DUO	PLATE TANK (RIGHT)
I..935	COMPARTIMENTO DEPOSITO DRCH	BASE UNO DUO DL
I..936	BASE UNO DUO	BOTTOM BASE DUO DL
I..937	BASE FONDO UNO DUO	TANK BASE DL
I..938	BASE DEPOSITO DL	UNO DUO UPPER LID
I..939	TAPA SUPERIOR UNO DUO	GUIDE
I..972	GUIA COMPARTIMENTO	PLATE
I.1112	PLETINA COMPARTIMENTO	NUT M5
I.1130	TUERCA CON ARANDELA M5	LEVEL DETECTOR FIXATION
I.1235	CHAPA FIJACION DETECTOR NIVEL	230V BLUE PILOT
I.1236	PILOTO AZUL 230V	STEEL/STEELBAR SUPPORT PILOT
I.1237	MIRILLA PILOTO STEEL/STEELBAR	3 POSITION SWITCH - STEEL
I.2213	CONMUTADOR 3 POSICIONES STEEL	DREAM SWITCH NUT - WATER
I.2216	TUERCA INTERRUPTOR DREAM WATER	DREAM SWITCH NUT - ON/OFF/ON
I.2217	TUERCA INTERRUPTOR DREAM I-O-I	MASK UNO DUO PROF SHINE
I.2225	CIERRE BASE MECANISMOS STEEL P	120V BLUE PILOT
I.2242	PILOTO AZUL 120V STEEL/STEELB	SWITCH DREAM NUT ON/OFF
I.2250	TUERCA INTERRUPTOR DREAM ON/OF	SWITCH DREAM NUT COFFEE
I.2251	TUERCA INTERRUPTOR DREAM COFFE	SWITCH DREAM NUT STEAM
I.2252	TUERCA INTERRUPTOR DREAM STEAM	MASK UNO DUO PROF
I.2229	CARATULA UNO - DUO PM/PF/PROF BRILLO	COFFEE SWITCH STEEL TRONIC '16
I.3920	INTERRUPTOR CAFE STEEL TRONIC 2016	MASK UNO DUO PROF BLACK
I.4122	CARATULA UNO-DUO PM/PF/PROF NEGRA	UNO DUO ENVELOPING BLACK
I.4123	ENVOLVENTE UNO DUO NEGRO	DRAWER FRONTAL UNO DUO BLACK
I.4125	FRONTAL CAJON UNO DUO NEGRO	INTERMEDIAT FRONT UNO DUO BLACK
I.4205	FRONTAL INERT UNO DUO PM/PF NEGRO	FRONTAL UNO DUO PID 2017 SHINE
I.4206	CARATULA UNO DUO PID 2017 AISI304 BRILLO	FRONTAL UNO DUO PID 2017 BLACK
I.4207	CARATULA UNO DUO PID 2017 NEGRO	FRONTAL UNO DUO PID 2017 BLANCA
I.4208	CARATULA UNO DUO PID 2017 BLANCA	FRONTAL INTERMEDIO UNO DUO AISI304 BRILLO
I.4209	FRONTAL INTERMEDIO UNO DUO AISI304 BRILLO	FRONTAL INTERMEDIO UNO DUO BLANCO
I.4210	FRONTAL INTERMEDIO UNO DUO BLANCO	FRONTAL CAJON UNO DUO AISI 304 BRILLO
I.4211	FRONTAL CAJON UNO DUO AISI 304 BRILLO	FRONTAL CAJON UNO DUO BLANCO
I.4212	FRONTAL CAJON UNO DUO BLANCO	ENVOLVENTE UNO DUO AISI304 BRILLO
I.4213	ENVOLVENTE UNO DUO AISI304 BRILLO	ENVOLVENTE UNO DUO BLANCO
I.4214	ENVOLVENTE UNO DUO BLANCO	SOPORTE MANOMETRO STEEL PID 2017
I.4218	SOPORTE MANOMETRO STEEL PID 2017	MANOMETRO DREAM/STEEL
I.4220	MANOMETRO DREAM/STEEL	PILOTO BLANCO STEEL 230V
I.4236	PILOTO BLANCO STEEL 230V	

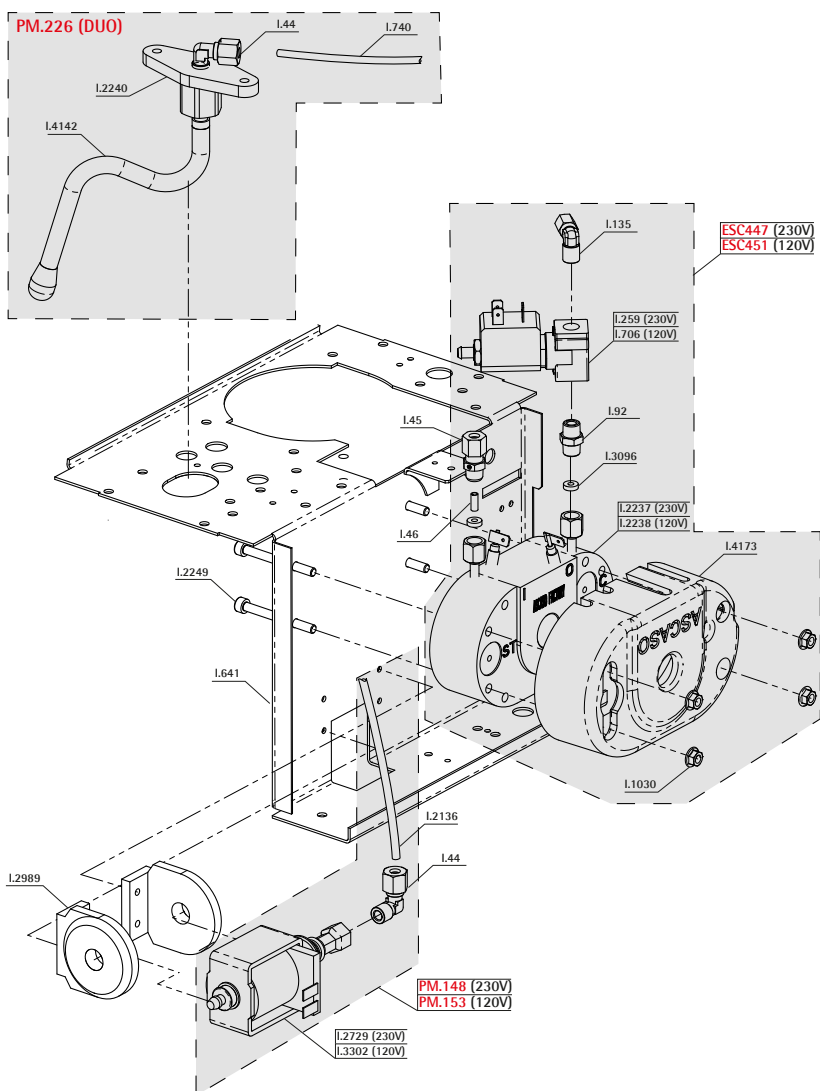


MODELO/MODEL	CARÁTULA/ FONT PANEL	INTERRUPTORES/SWITCHES			
		ON/OFF	COFFEE	WATER	STEAM
UNO PROF	i.552	i.163	i.163	i.158	i.158
DUO PROF	i.552	i.2213	i.163	i.158	i.158
UNO PID	i.4206 / i.4207	i.163	i.3920	i.163	i.163
DUO PID	i.4208	i.2213	i.3920	i.158	i.158



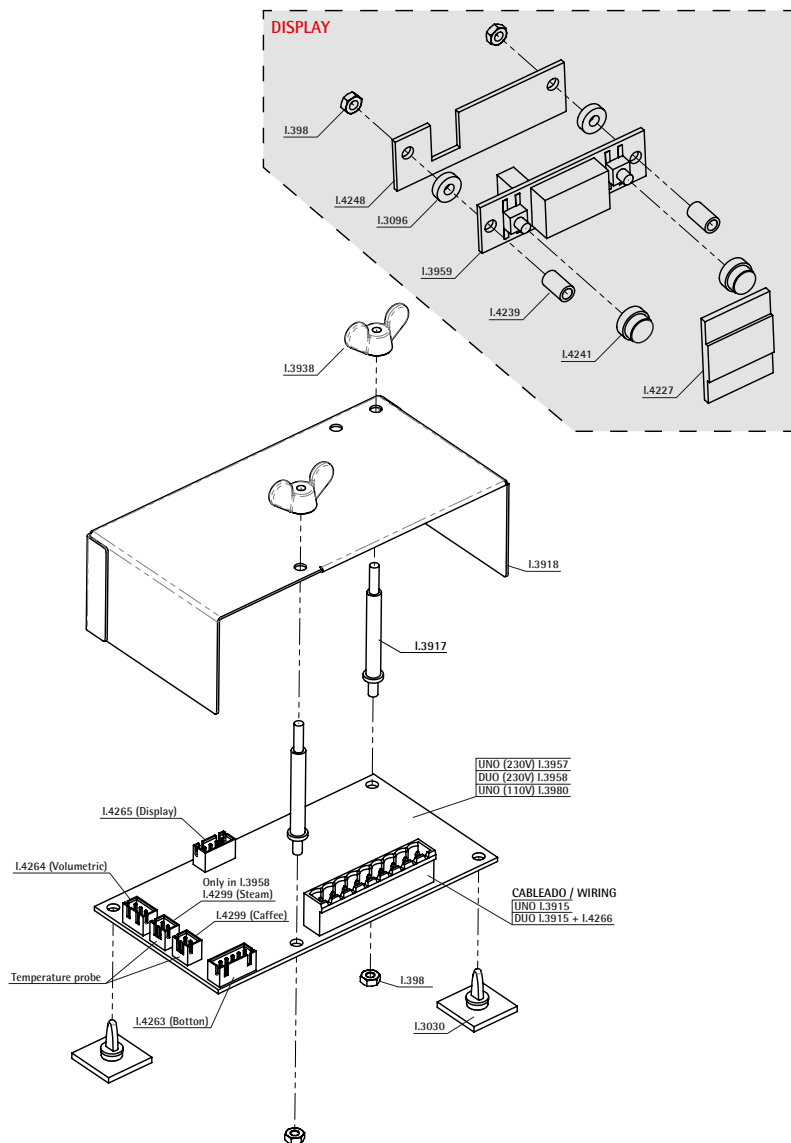
REF.	DESCRIPCIÓN	DESCRIPTION
ESC435	GRUPO INTERC. INOX DUO PROF 2016 (230V)	GROUP INOX PROF DUO 2016 (230V)
ESC436	GRUPO INTERC. INOX DUO PROF 2016 (110V)	GROUP INOX PROF DUO 2016 (110V)
ESC446	GRUPO INTERC. INOX STEEL DUO PID 230V 2017	GROUP INOX PROF DUO PID 2017 (230V)
ESC450	GRUPO INTERC. INOX STEEL DUO PID 110V 2017	GROUP INOX PROF DUO PID 2017 (110V)
F.228	DUCHA 60MM	SHOWER 60MM
I..44	RACORD CODO	RL BOX FITTING
I..92	RACOR 1/8"	FITTING MALE
I..135	RACOR CODO 13280 4 1/8	FITTING
I..157	BRIDA FIJACION FUSIBLE/TERMOMETRO	SPRING
I..259	ELECTROV. 3 VIAS 230V	3 WAY SOLENOID 230V
I..534	FILTRO 1 CAFE PROFESIONAL	PROFESSIONAL 1 COFFEE FILTER
I..535	FILTRO 2 CAFES PROFESIONAL	PROFESSIONAL 2 COFFEE FILTER
I..555	CACILLO POD PROF.	POD PROF. FILTER
I..706	ELECTROV. 3 VIAS 120V	3 WAY SOLENOID 110V
I..952	TUBO TEFLON 2X4 (140mm)	TEFLON PIPE 2X4 (140mm)
I.1130	TUERCA CON ARANDELA M5 INOX	NUT M5
I.1167	ARO RETENCION FILTRO PROF.	PROF. SPRING FILTER
I.1182	CACILLO CIEGO PROF / BARISTA	PROF. BLIND FILTER
I.1263	TUERCA BICONO 4	BICONE NUT 4
I.1264	BICONO 4mm	BICONE 4
I.1600	JUNTA PORTAFILTROS 8 mm	FILTERHOLDER GASKET 8MM
I.1602	CUERPO PORTAFILTRO M12 INCLINADO	M12 FILTERHOLDER BODY
I.1603	MANGO PORTAFILTRO BARISTA	FILTERHOLDER HANDLE
I.1607	SALIDA 1 CAFE ABIERTA	1 COFFEE SPOUT
I.1608	SALIDA 2 CAFES ABIERTA	2 WAYS COFFEE SPOUT
I.2237	CJTO INTERCAMBIADOR INOX. 230V	THERMOBLOCK INOX. 230V
I.2238	CJTO INTERCAMBIADOR INOX. 110V	THERMOBLOCK INOX. 110V
I.2279	TORNILLO M5X50 DIN7991 A-4 80 INOX	SCREW M5X50 DIN7991 A-2 SS
I.2584	CIERRE S.CREMA KAP	EXTRA CREAM STOP KAP
I.2586	MUELLE S.CREMA BAR KAP	BAR KAP S.CREAM SPRING
I.2587	VALVULA S.CREMA KAP	KAP S.CREAM VALVE
I.2669	CACILLO 1C SC PROF.	FILTER 1C SC PROF.
I.2670	CACILLO 2C SC PROF.	FILTER 2C SC PROF.
I.2813	SALIDA CAFE KAP/BAR KAP	COFFE EXIT KAP/BAR KAP
I.2958	ARANDELA APOYO	WASHER
I.3203	MANGO PORTA MADERA BARISTA	HANDLE WOOD BARISTA
I.3096	JUNTA INTERCAMBIADOR	HEAT EXCHANGER GASKET
I.3510	CAMPANA PROF. 2016	BELL PROF. 2016
I.3511	ROCIADOR GRUPO PROF. 2016	SPRAY GROUP PROF. 2016
I.3512	POSTIZO CAMPANA PROF. 2016	BELL PROF. 2016 SUPPLEMENT
I.3514	RACORD CONEXION SOLO CAFE	FITTING
I.3807	ESPARRAGO ALLEN DIN 914 INOX M4x4	SOCKET SCREW DIN914 M4x4 INOX
I.3811	CHAPA SOPORTE GRUPO PROF 2016	GROUP PROF 2016 SUPPORT SHEET
I.3879	JUNTA PLANA PORTA CAPSULAS 36.5x50x2	SILICONE WASHER
I.3910	CUERPO PORTAFILTRO CAPS. FAP BARISTA-BAR-STEEL 016	FILTERHOLDER CAPS. FAP BARISTA-BAR-STEEL 016
I.3934	RACOR T 1/8 H-H-M	FITTING T 1/8 H-H-M
I.4173	FUNDA TERMICA INTECAMBIADOR INOX.	THERMAL COVER
PM..91	PORTAFILTRO PROF 2 CAFES	2 COFFEES PROF FILTERHOLDER WHOLE
PM..92	PORTAFILTRO PROF 1 CAFE	1 COFFEE PROF FILTERHOLDER WHOLE
PM.278	PORTAFILTRO COMPLETO CAPSULA 2016	COMPLETE CAPSULE FILTERHOLDER 2016
PM.279	PORTAFILTRO BARISTA SIN FONDO	BOTTOMLESS FILTERHOLDER
PM.309	PORTAFILTRO PROF 2 CAFES MADERA	2 COFFEES PROF FILTERH. WHOLE WOOD





REF.	DESCRIPCIÓN	DESCRIPTION
ESC447	GRUPO INTER. INOX VAPOR DUO PID 230V	GROUP INTER. INOX STEAM DUO PID 230V
ESC451	GRUPO INTER. INOX VAPOR DUO PID 110V	GROUP INTER. INOX STEAM DUO PID 110V
I...44	RACORD CODO	RL BOIX FITTING
I...45	RACOR RECTO	STRAIGHT FITTING
I...46	REFUERZO TUBO	PIPE REINFORCEMENT
I...92	RACOR 1/8"	FITTING MALE
I.135	RACOR CODO 13280 4 1/8	FITTING
I.259	ELECTROV. 3 VIAS PASO 1.2 230V 1/8-1/8	230V 3 WAY SOLENOID
I.641	BASE MECANISMOS UNO DUO	DUO PROF.MECHANISME BASE
I.706	ELECTROV. 3 VIAS PASO 1.5 120V 1/8-1/8	120V 3 WAYS SOLENOID
I...740	TUBO TEFLON 4X6 (80MM)	TEFLON PIPE 4X6 (80MM)
I.1030	ELECTROV. GRUPO PROF. C 230V NSF	GROUP PROF. SOLENOID 230V
I.2136	TUBO TEFLON 4x6 (220mm)	TEFLON PIPE 4X6 (220MM)
I.2237	CJTO INTERCAMBIADOR INOX. 230V	THERMOBLOCK INOX. 230V
I.2238	CJTO. INTERCAMBIADOR INOX. 1000W 120V	WHOLE THERMOBLOCK INOX. 1000W 120V
I.2240	SOPORTE TUBO VAPOR MD STEEL	STEEL MD STEAM PIPE SUPPORT
I.2249	TORNILLO ALLEN 5x50mm DIN912 INOX	INOX DIN912 M5x50 SCREW
I.2729	BOMBA CP SMART 20bar 230-240V 50W	PUMP CP SMART 20bar 230-240V 50W
I.2989	SILENT BLOCK BOMBA	PUMP SILENT BLOCK
I.3096	JUNTA INTERCAMBIADOR	HEAT EXCHANGER GASKET
I.3302	BOMBA CP SMART 20bar 120V	PUMP CP SMART 20bar 120V
I.4142	TUBO VAPOR MD STEEL UNO/DUO PROF PTFE	UNO/DUO PROF PIPE PTFE
I.4173	FUNDA TERMICA INTECAMBIADOR INOX.	THERMAL COVER
PM.148	CJTO BOMBA UNO/DUO PROF/TRONIC 230V	W.PUMP UNO/DUO PROF/TRONIC 230V
PM.153	CJTO BOMBA UNO/DUO PROF/TRONIC 110V	W.PUMP UNO/DUO PROF/TRONIC 110V
PM.226	CJTO LANZA VAPOR TRIO/DUO PROF 2015	ASSY. HEAT PIPE TRIO/DUO PROF 2015

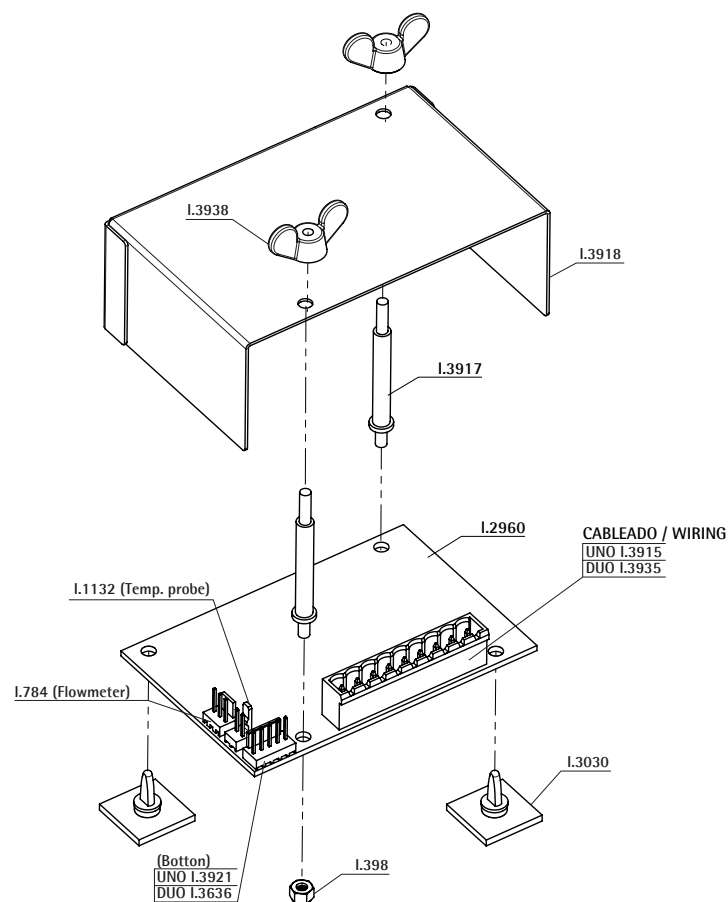
Control electrónico / Display Steel PID UNO / DUO (+07/2017) ■ Steel PID UNO / DUO Electronic Control / Display (+07/2017)



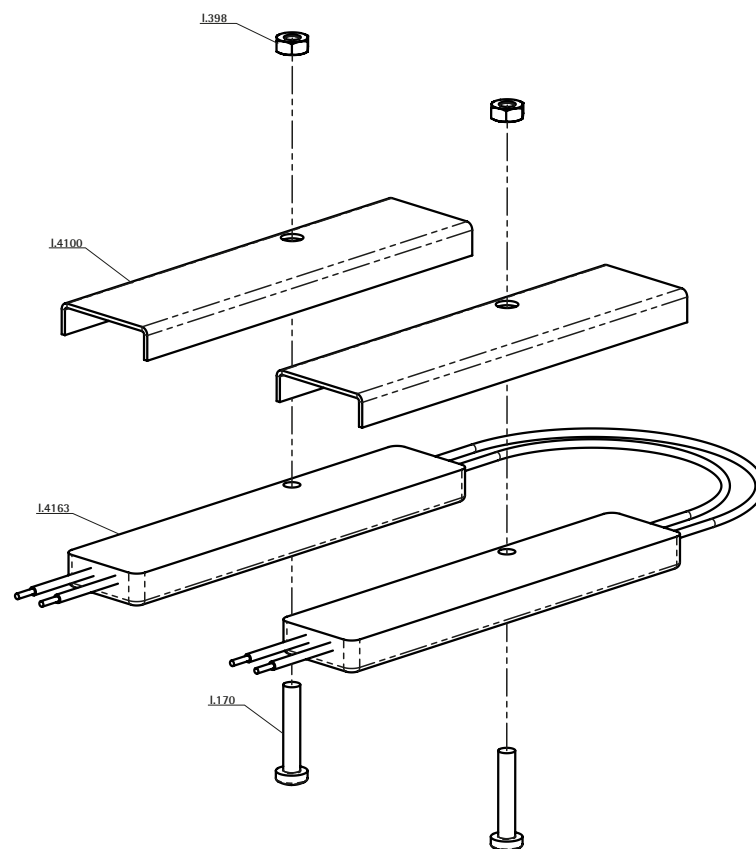
REF.	DESCRIPCIÓN	DESCRIPTION
I...398	TORNILLO INOX APRIETE PF	TUERCA AUTOBLOCANTE M3 INOX
I.3030	FIJACION CIRCUITO TERMOSTATO ELECTR. BAR KAP	ELECT. THERM. CIRCUIT FIXATION BAR KAP.
I.3096	JUNTA INTERCAMBIADOR	HEAT EXCHANGER GASKET
I.3915	CABLEADO GRUPO UNO PROF 2016 C.ELECT.	GROUP WIRING UNO PROF 2016 ELECT. C.
I.3917	SEPARADOR TAPA CIRCUITO ELECTR. STEEL	ELECTRONIC CIRCUIT SUPPORT STEEL
I.3918	TAPA CIRCUITO TERMOSTATO ELECT. STEEL	ELECT. THERM. CIRCUIT COVER STEEL
I.3938	TUERCA CON ALAS M3	WING NUT M3
I.3957	CIRCUITO MULTIFUNCION+DISPLAY 230V	MULTIFUNCTION+DISPLAY PCB 230V
I.3958	CIRCUITO MULTIFUNCION DUO+DISPLAY	STEEL DUO MULTIFUNCTION+DISPLAY PCB
I.3959	DISPLAY DREAM/STEEL PID	DREAM DISPLAY MULTIFUN. CIRCUIT
I.3980	CIRCUITO MULTIFUNCION+DISPLAY 110V	MULTIFUNCTION+DISPLAY PCB 110V
I.4227	MIRILLA PANTALLA STEEL PID	SCREEN STEEL PID
I.4239	CASQUILLO MONTAJE DISPLAY STEEL PID	DISPLAY MOUNTING BRACKET STEEL PID
I.4241	TECLA DISPLAY STEEL PID	DISPLAY KEY STEEL PID
I.4248	SOPORTE DISPLAY DREAM/STEEL PID	DISPLAY BRACKET DREAM/STEEL PID
I.4263	CABLE BOTONERA DREAM / STEEL PID	BUTTON PANEL WIRE DREAM / STEEL PID
I.4264	CABLE VOLUMETRICO DREAM / STEEL PID	FLOWMETER WIRE DREAM / STEEL PID
I.4265	CABLE DISPLAY DREAM / STEEL PID	WIRING DISPLAY DREAM / STEEL PID
I.4266	CABLEADO DUO PID	WIRING DUO PID
I.4299	SONDA TEMPERATURA INOX PID (M4) 2017	TEMPERATURE PROBE. INOX PID (M4) 2017

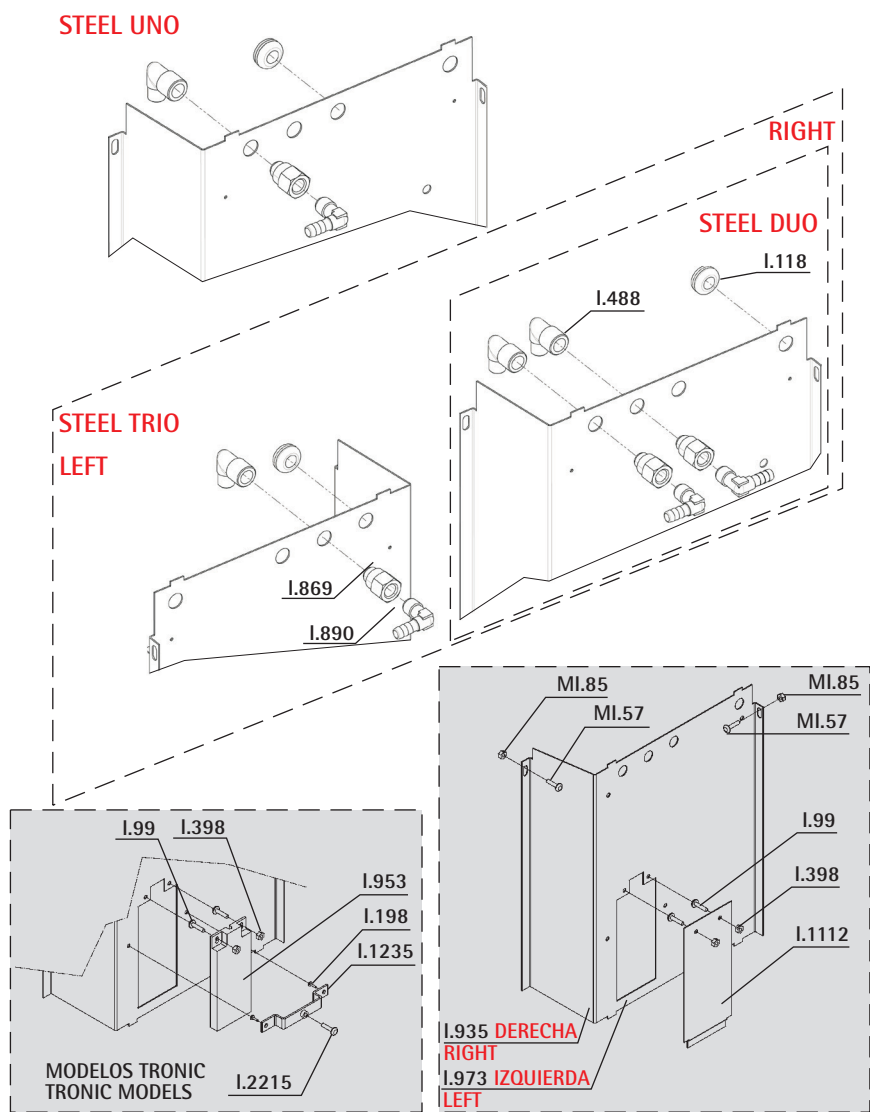


REF.	DESCRIPCIÓN	DESCRIPTION
I.398	TORNILLO INOX APRIETE PF	TUERCA AUTOBLOCANTE M3 INOX
I.784	CABLE CONT. VOLUMETRICO 300MM	FLOWMETER WIRE
I.1132	SONDA TEMPERATURA NTC MF58	NTC TEMPERATURE PROBE MF58
I.2960	CIRCUITO MULTIFUNCION	MULTIFUNCTION CIRCUIT
I.3030	FIJACION CIRCUITO TERMOSTATO ELEC. BAR KAP	ELEC. THERM. CIRCUIT FIXATION BAR KAP
I.3915	CABLEADO GRUPO UNO PROF 2016 C.ELEC.	GROUP WIRING UNO PROF 2016 ELEC. C.
I.3917	SEPARADOR TAPA CIRCUITO	CIRCUIT SUPPORT STEEL
I.3918	TAPA CIRCUITO TERMOSTATO ELEC. STEEL	ELEC. THERMOSTAT CIRCUIT COVER STEEL
I.3921	CABLEADO BOTONERA UNO PROF 2016 CNTRL ELEC.	BUTTON WIRING UNO PROF 16 ELEC. CNTRL
I.3935	CABLEADO GRUPO DUO PROF 2016 C.ELEC.	WIRING GROUP DUO PROF 2016 ELEC. C.
I.3936	CABLEADO BOTONERA DUO PROF 2016 C. ELEC.	BUTTON PANEL WIRING DUO PROF 2016
I.3938	TUERCA CON ALAS M3	WING NUT M3



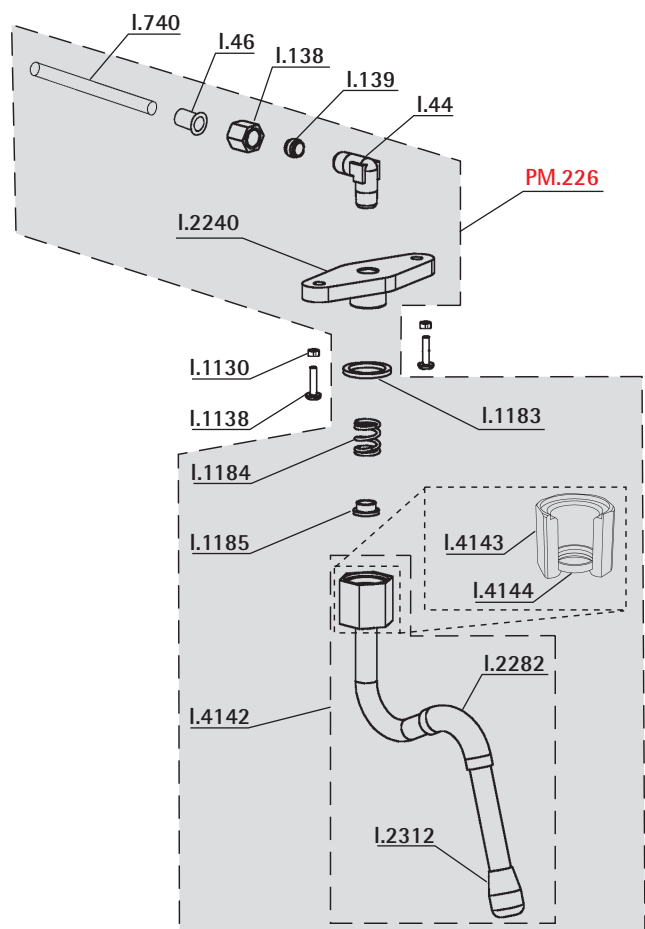
REF.	DESCRIPCIÓN	DESCRIPTION
I.398	TUERCA AUTOBLOCANTE M3 INOX	NUT
I.170	TORNILLO FIJACION MICRO INOX	SCREW
I.4100	TAPA LED BAR/BARISTA RAISED 2017	LED CAP BARISTA RAISED 2017
I.4163	ILUMINACION DREAM/STEEL	LIGHTING DREAM/STEEL





REF.	DESCRIPCIÓN	DESCRIPTION
I...99	TORNILLO M3x8 INOX	SCREW
I.118	PASACABLE	WIRINGPIN
I..198	REMACHE CORTO (3.2x6)	HEADLEM SCREW
I..398	TUERCA AUTOBLOCANTE M3 INOX	NUT
I..488	RACOR CODO 1/8 M-H	1/8 M-H ELBOW FITTING
I..869	RACORD BASIC 2070 1/8" 1/8" 22	BASIC FITTING 2070 1/8" 1/8" 22
I..890	DESCARGA 3055 6 1/8" NIQUEL QUIMICO	OUTLET 3055 6 1/8"
I..935	COMPARTIMENTO DEPOSITO DRCH.	PLATE TANK (RIGHT)
I..953	DETECTOR+CONTADOR	DETECTOR+COUNTER
I..973	COMPARTIMENTO DEPOSITO IZQ.	COMPARTMENT LEFT TANK
I.1112	PLETINA COMPARTIMENTO	PLATE
I.1235	CHAPA FIJACION DETECTOR NIVEL	LEVEL DETECTOR FIXATION
I.2215	TORNILLO DIN 933 M4X15 A4-80 INOX	SCREW M4X15 INOX
MI..57	TORNILLO M4X12	SCREW
MI..85	TUERCA DIN 934 M4 INOX	NUT

Grifo Vapor DUO / TRIO - PROF / PF (+07/2017) ■ DUO / TRIO - PROF / PF Steam Knob (+07/2017)



REF.	DESCRIPCIÓN	DESCRIPTION
I...44	RACORD CODO	RL BOIX FITTING
I...46	REFUERZO TUBO	PIPE REINFORCEMENT
I..138	TUERCA BICONO	NUT
I..139	BICONO DIAMETRO 6MM	BICONE
I..740	TUBO TEFLON 4X6 80MM	4X6 (80MM) TEFLON PIPE
I.1130	TUERCA CON ARANDELA M5 INOX	NUT M5
I.1138	TORNILLO DIN 7985 M5X15 INOX	SCREW DIN 7985 M5X15 INOX
I.1183	ARANDELA GRIFO AGUA	WATER TAP WASHER
I.1184	MUELLE GRIFO SALIDA VAPOR-AGUA	STEAM-WATER OUTLET SPRING
I.1185	GUIA MUELLE GRIFO AGUA	SPRING GUIDE WATER TAP
I.2240	SOPORTE TUBO VAPOR MD STEEL	STEEL MD STEAM PIPE SUPPORT
I.2282	PROTECTOR TUBO VAPOR BARISTA	STEAM PIPE PROTECTOR BARISTA
I.2312	SALIDA TUBO VAPOR 1 AGUJERO	STEAM PIPE OUTLET
I.4142	TUBO VAPOR MD STEEL UNO/DUO PROF PTFE	UNO/DUO PROF PIPE PTFE
I.4143	TUERCA TUBO VAPOR/AGUA PTFE	NUT STEAM/ WATER PTFE
I.4144	JUNTA TEFLON TUBO VAPOR/AGUA PTFE	TEFLON GASKET STEAM/ WATER PTFE
PM.226	CJTO LANZA VAPOR TRIO/DUO PROF 2015	ASSY. HEAT PIPE TRIO/DUO PROF 2015

REF.	DESCRIPCIÓN	DESCRIPTION
I..728	TUBO TEFLÓN 4x6x90 MM	4x6 (90MM) TEFLON PIPE
I..732	TUBO TEFLÓN 4x6x130 MM	4x6 (130MM) TEFLON PIPE
I..952	TUBO TEFLÓN 2x4x140 MM	2x4 (140MM) TEFLON PIPE
I.1080	TUBO SILICONA 5x8x500 MM	5x8 (500MM) SILICONE PIPE
I.1086	TUBO SILICONA 5x8x150 MM	5x8 (150MM) SILICONE PIPE
I.1087	TUBO SILICONA 5x8x300 MM	5x8 (300MM) SILICONE PIPE
I.1652	TUBO TEFLÓN 4x6x195 MM	4x6 (195MM) TEFLON PIPE
I.2105	TUBO SILICONA 4x7x140 MM	4x7 (140MM) SILICONE PIPE
I.2107	TUBO SILICONA 5x8x400 MM	5x8 (400MM) SILICONE PIPE
I.2112	TUBO SILICONA 4x7x160 MM	4x7 (160MM) SILICONE PIPE
I.2114	TUBO SILICONA 4x7x320 MM	4x7 (320MM) SILICONE PIPE
I.2136	TUBO TEFLÓN 4x6x220 MM	4x6 (220MM) TEFLON PIPE
I.2826	TUBO FLEXIBLE 250MM 1/8"Hx1/8"H	FLEXIBLE 250MM
I.2639	BY-PASS ASCASO	BY-PASS ASCASO
I.2903	TUBO TEFLÓN 2x4x170 MM	2x4 (170MM) TEFLON PIPE

