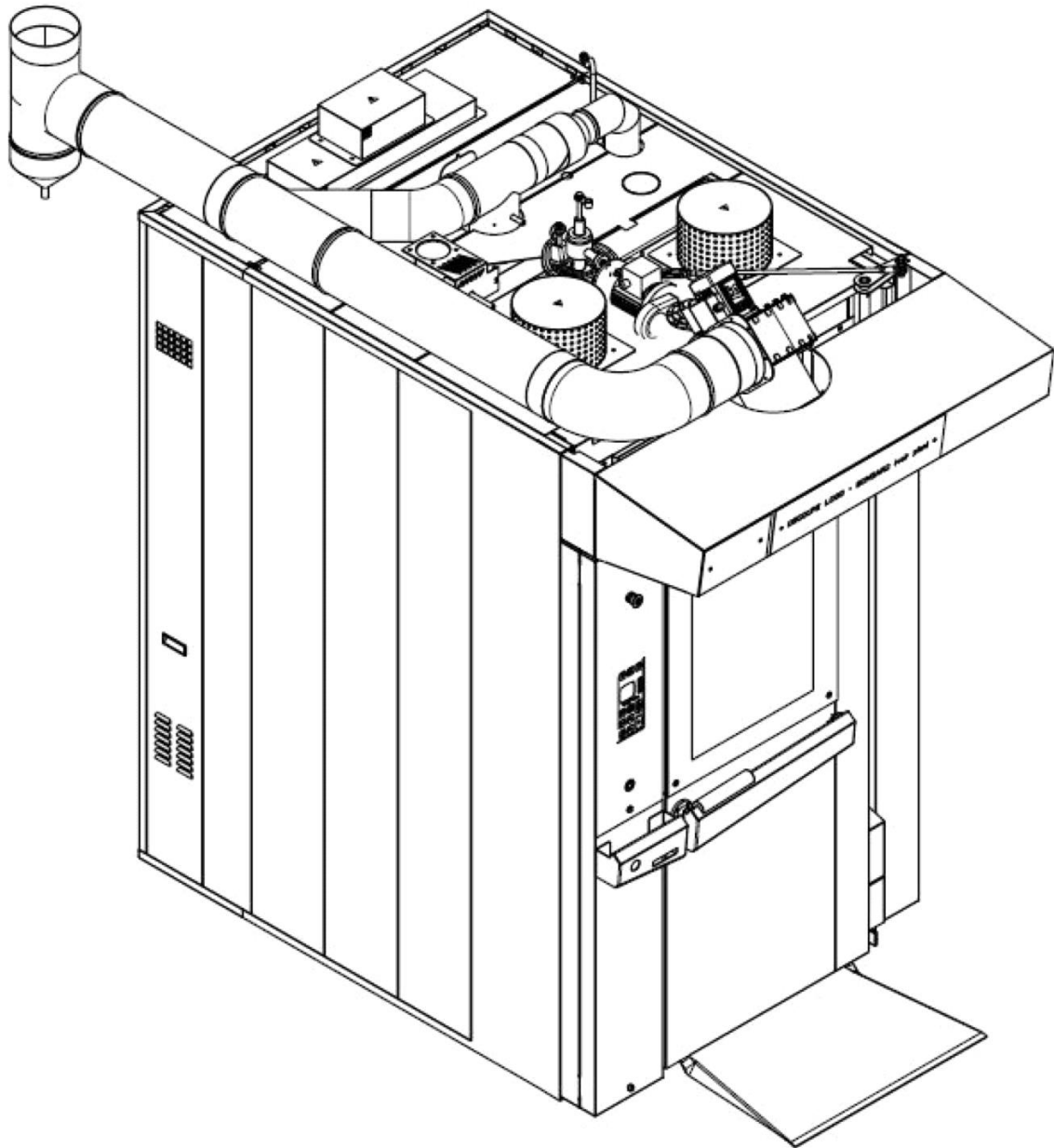
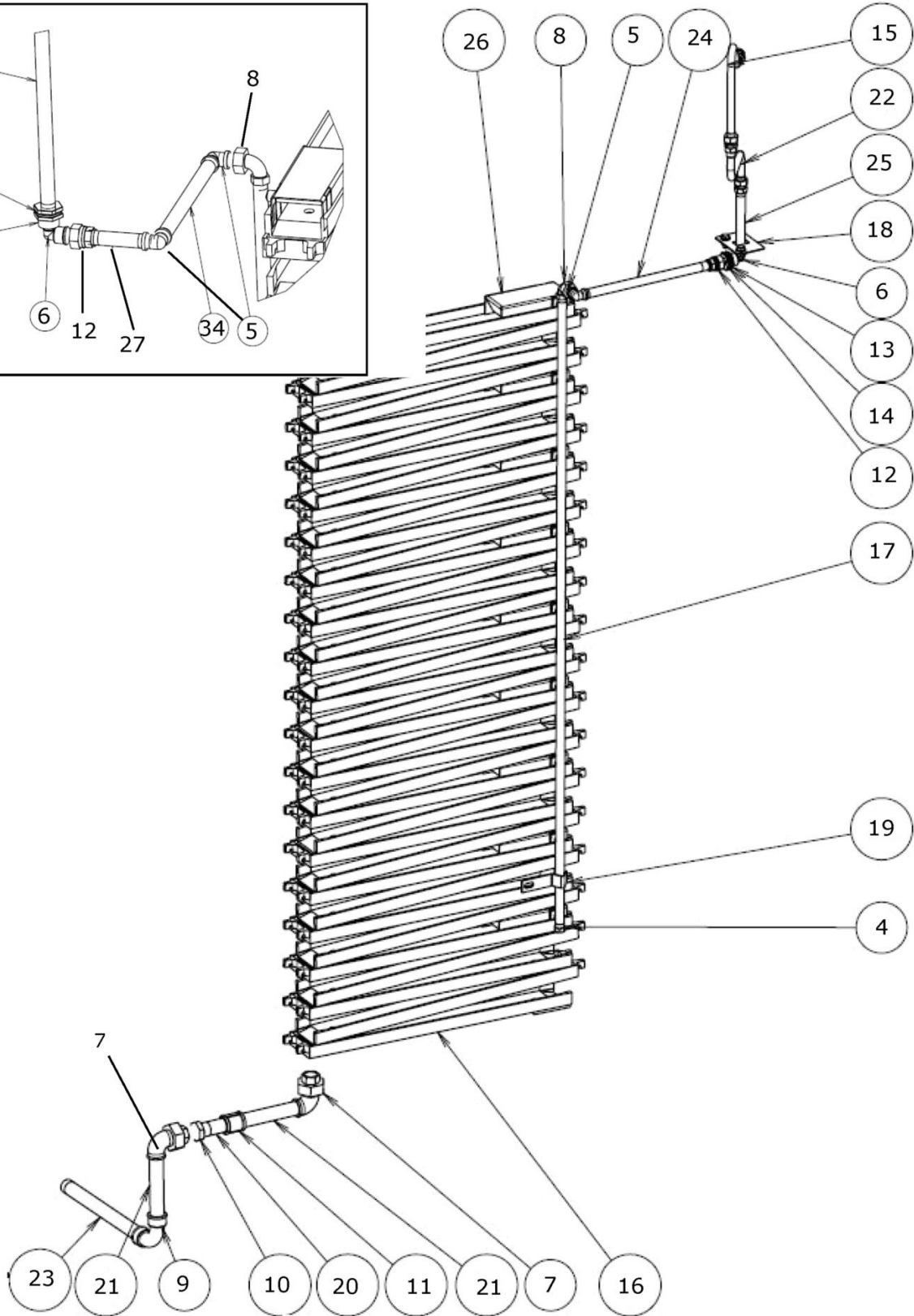
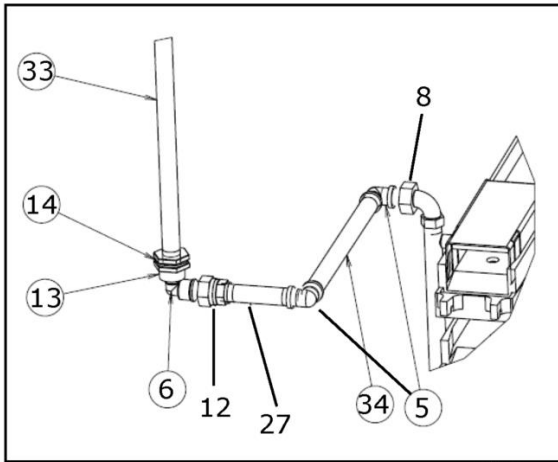


01 General view of the oven with hood

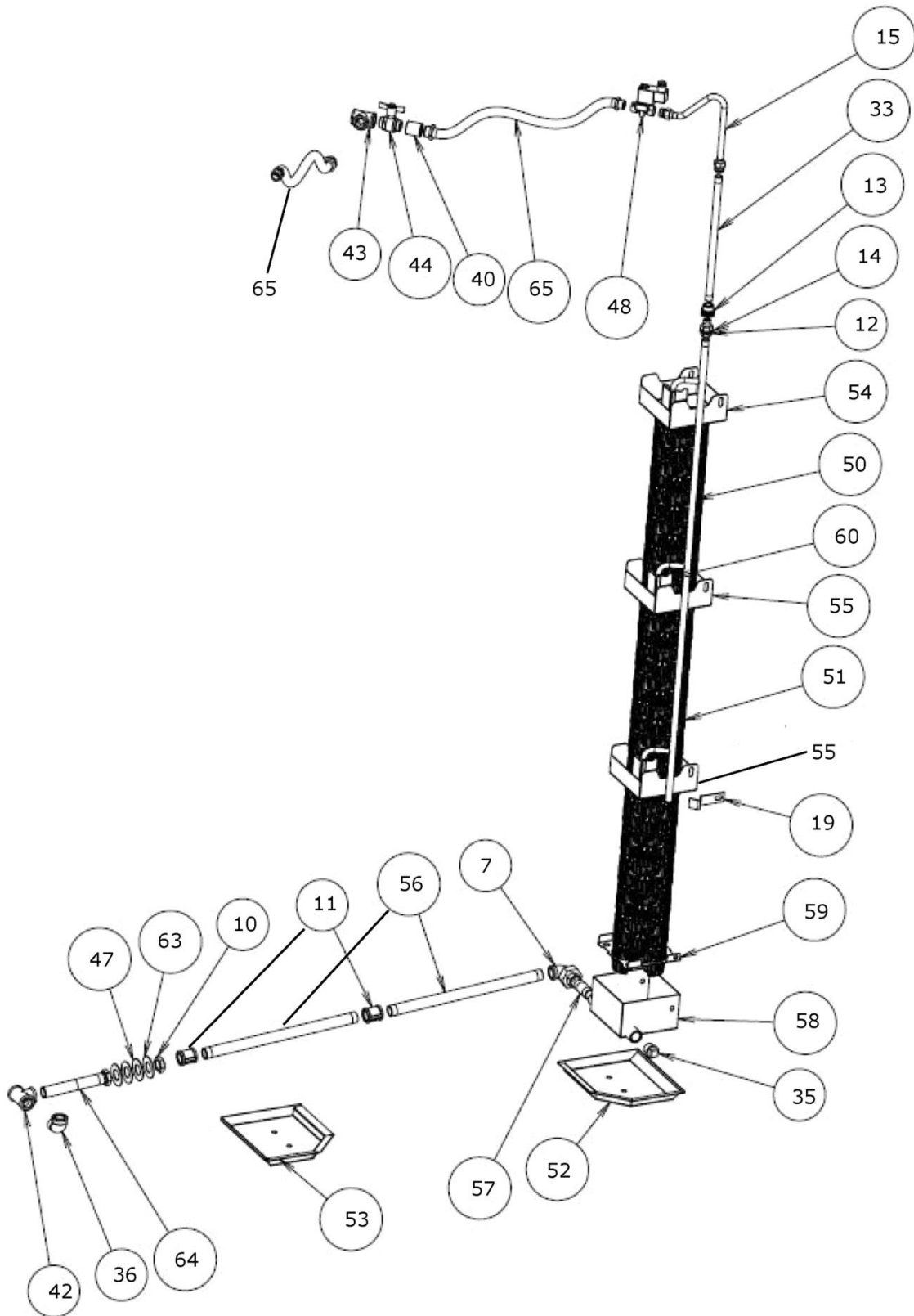


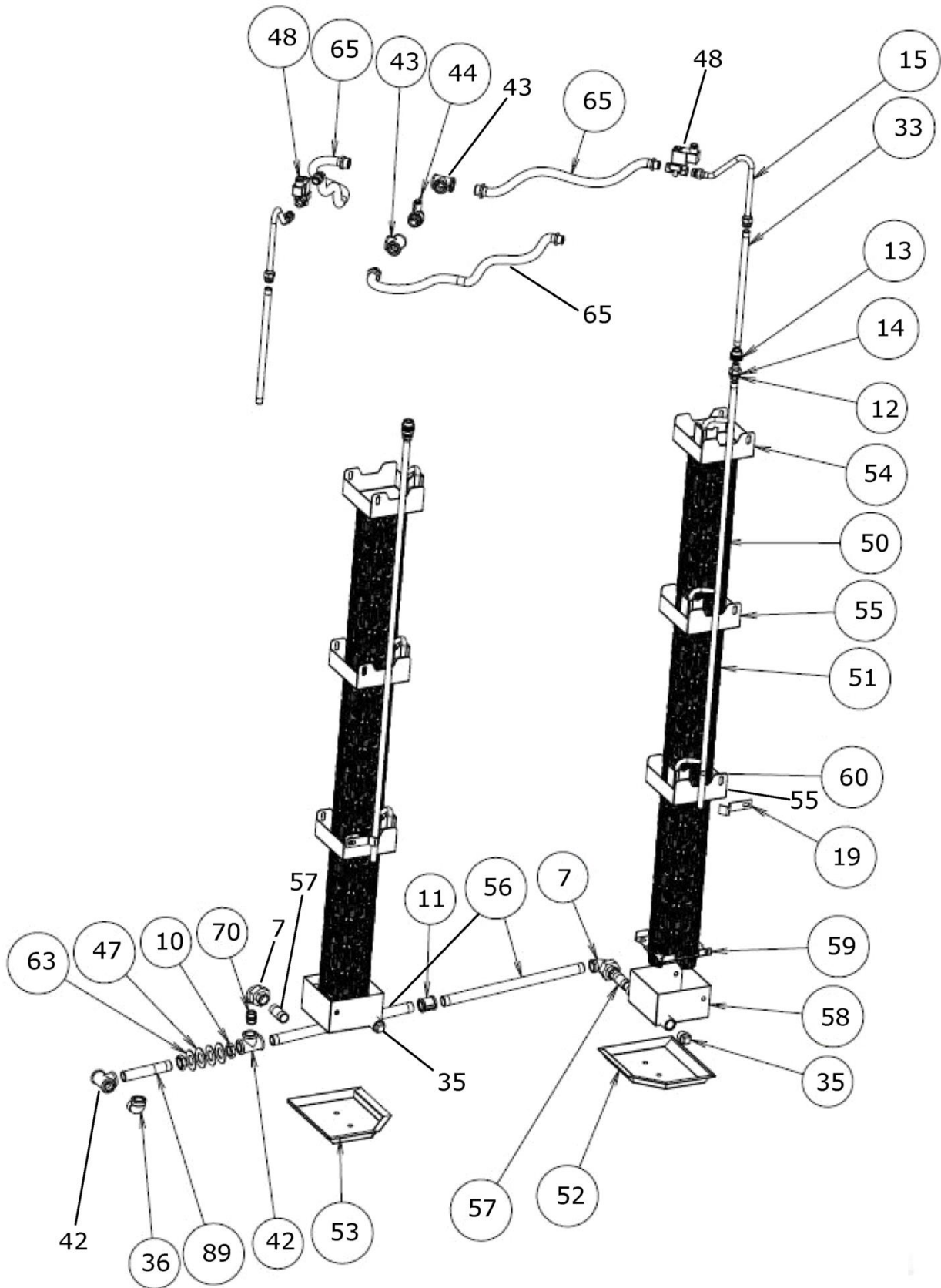
02 Steam generator (gutters)

Arrivée eau alternative / Alternative water inlet

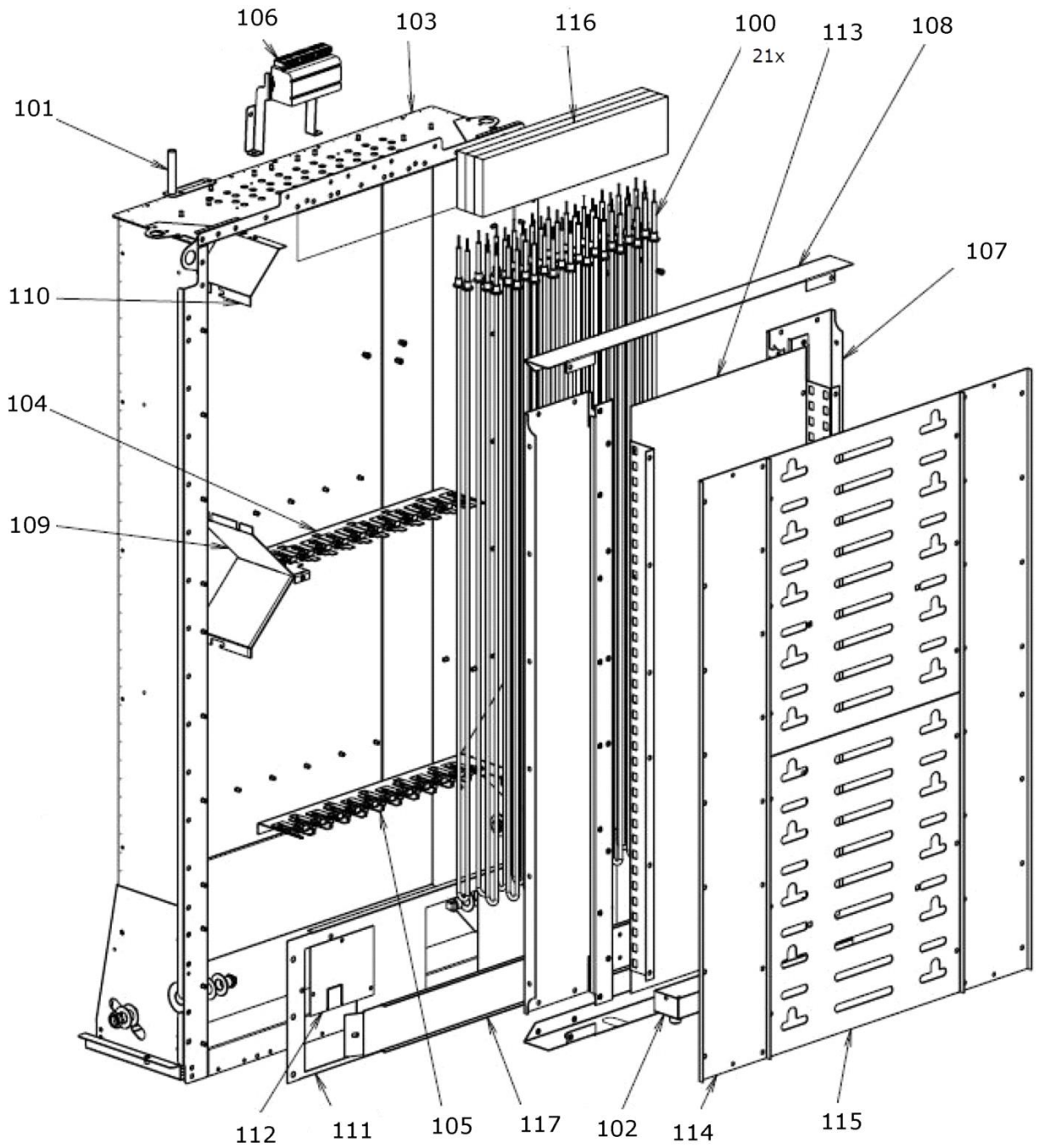


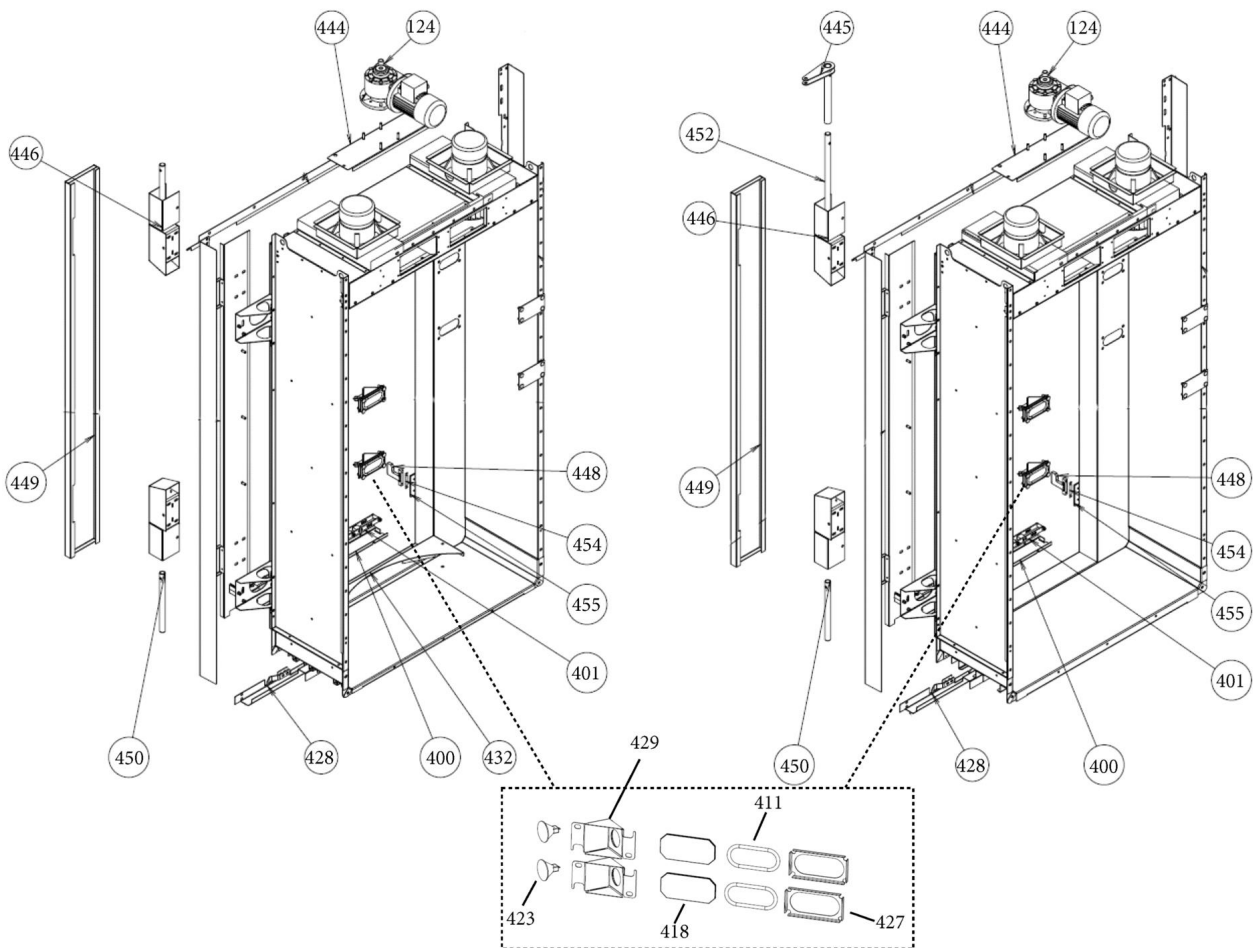
03 Steamer (single reinforced)



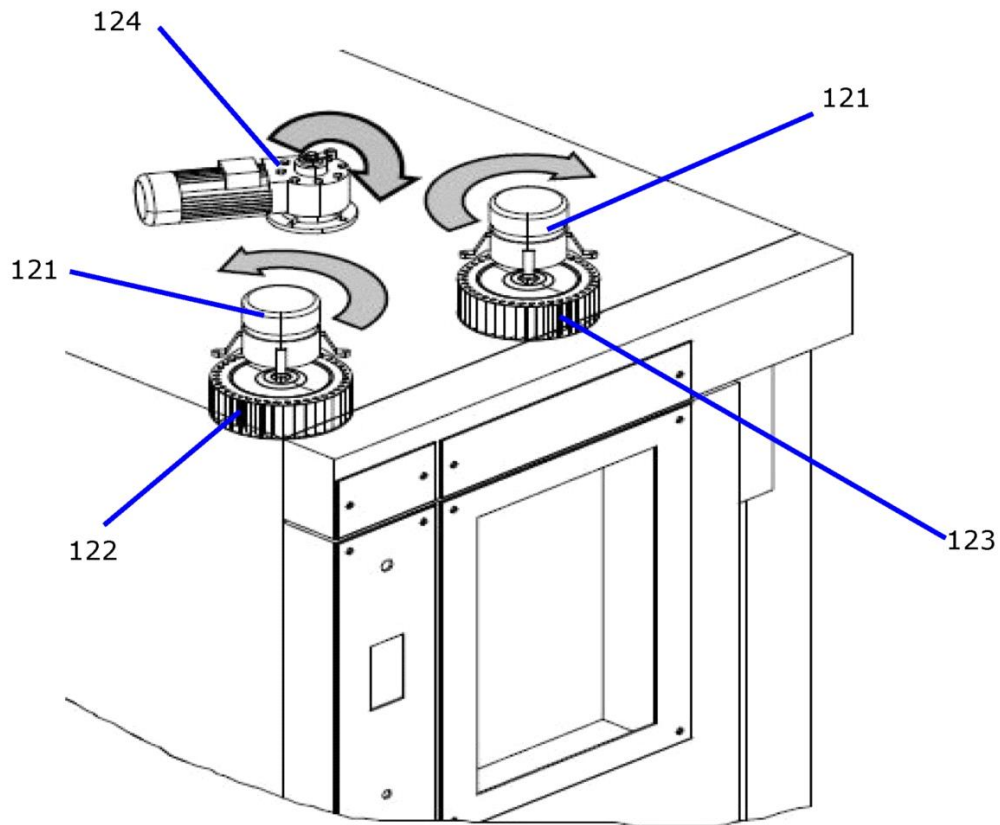
04 Steam generator (double reinforced)


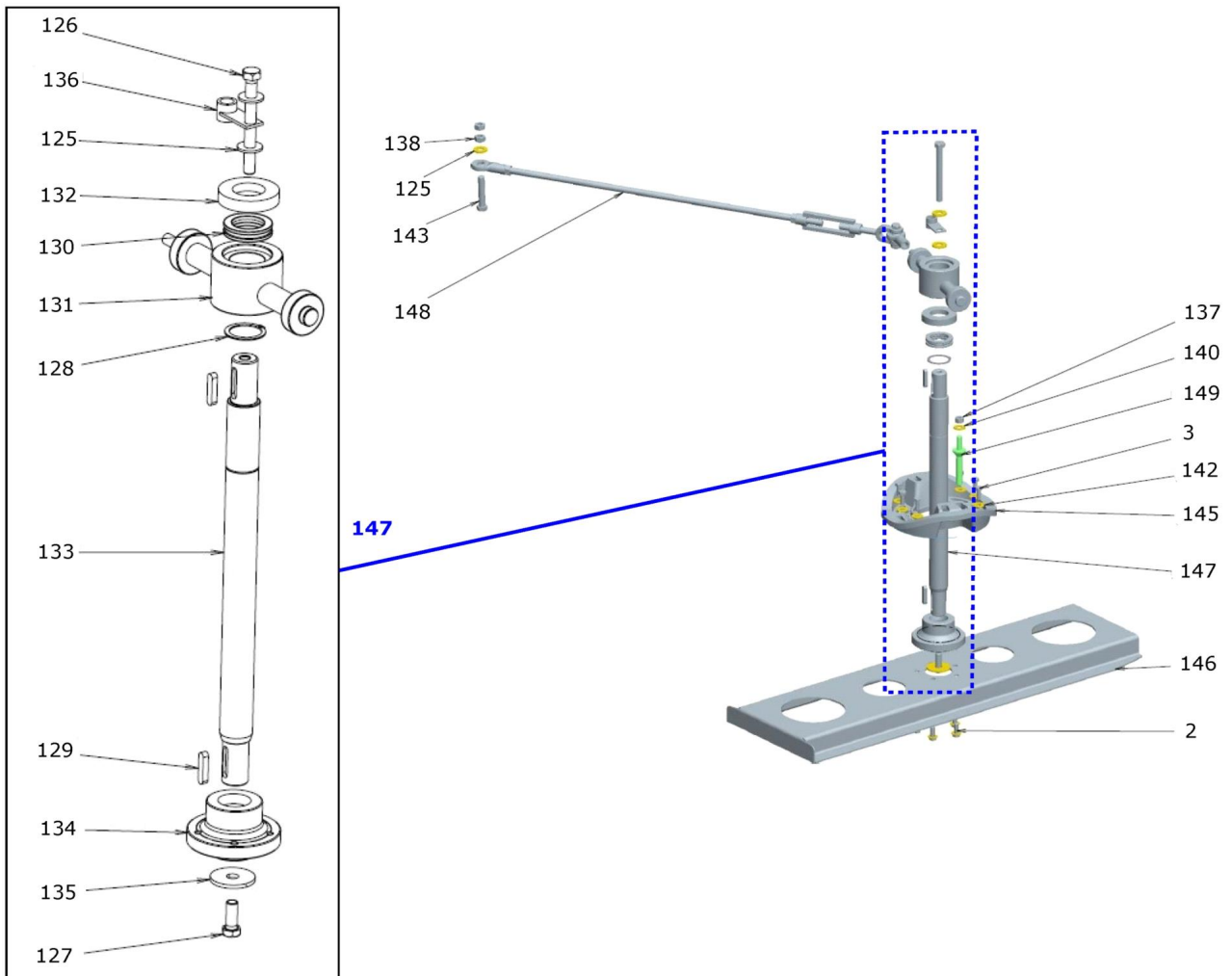
05 Electric heater module



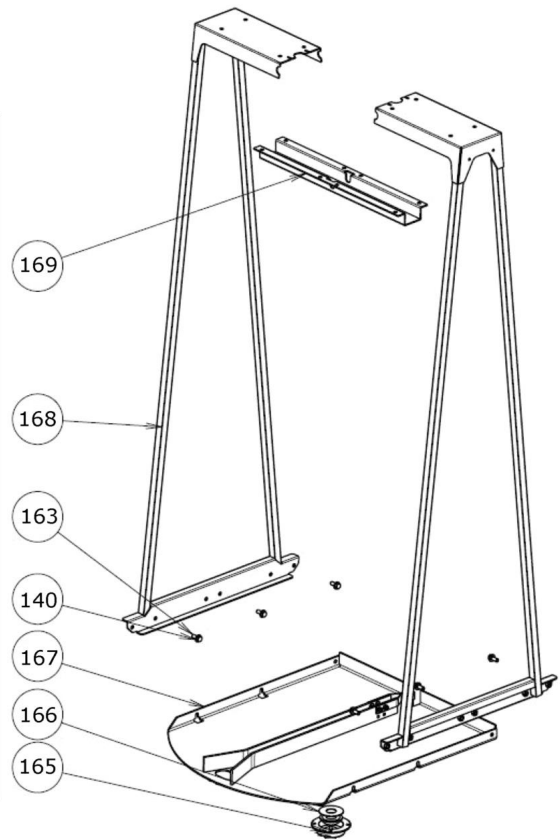
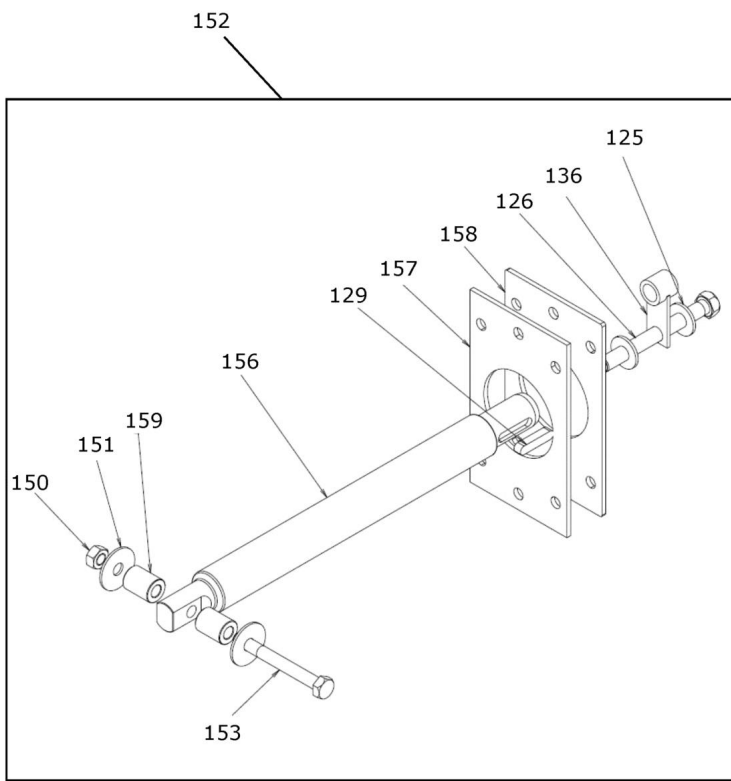
05b Front half chamber
Plateau tournant / Turntable
Levage / Lifting


06 Fan motors

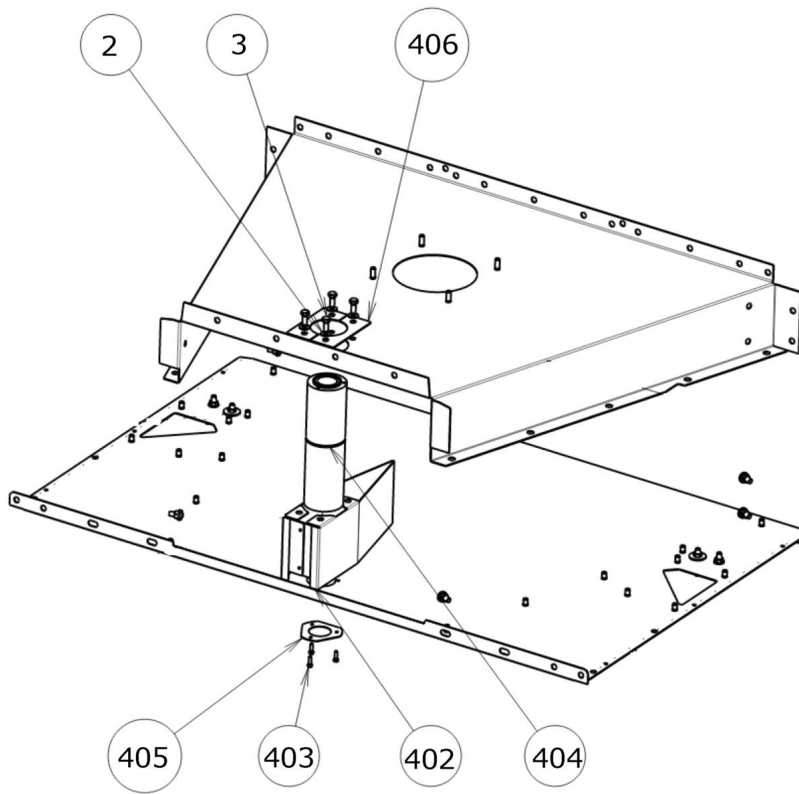


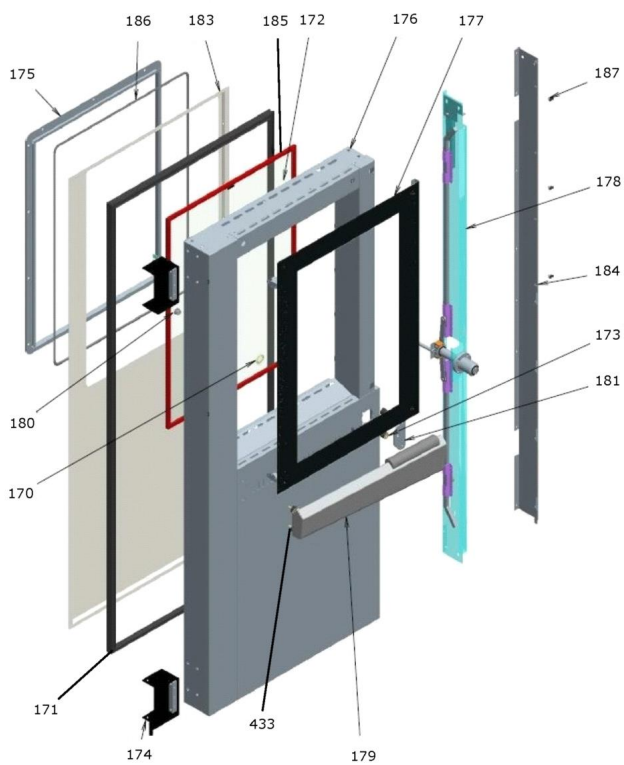
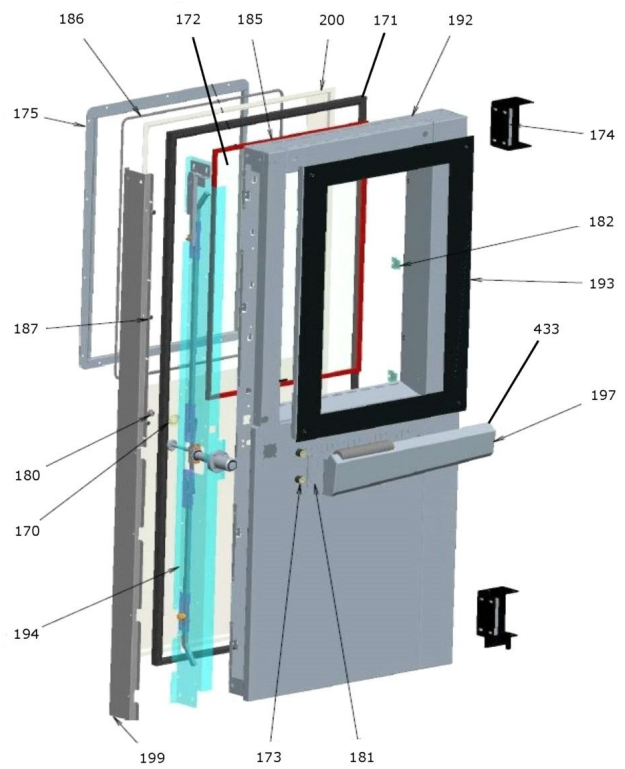
07 Trolley drive (lifting)


08 Trolley drive (swing)

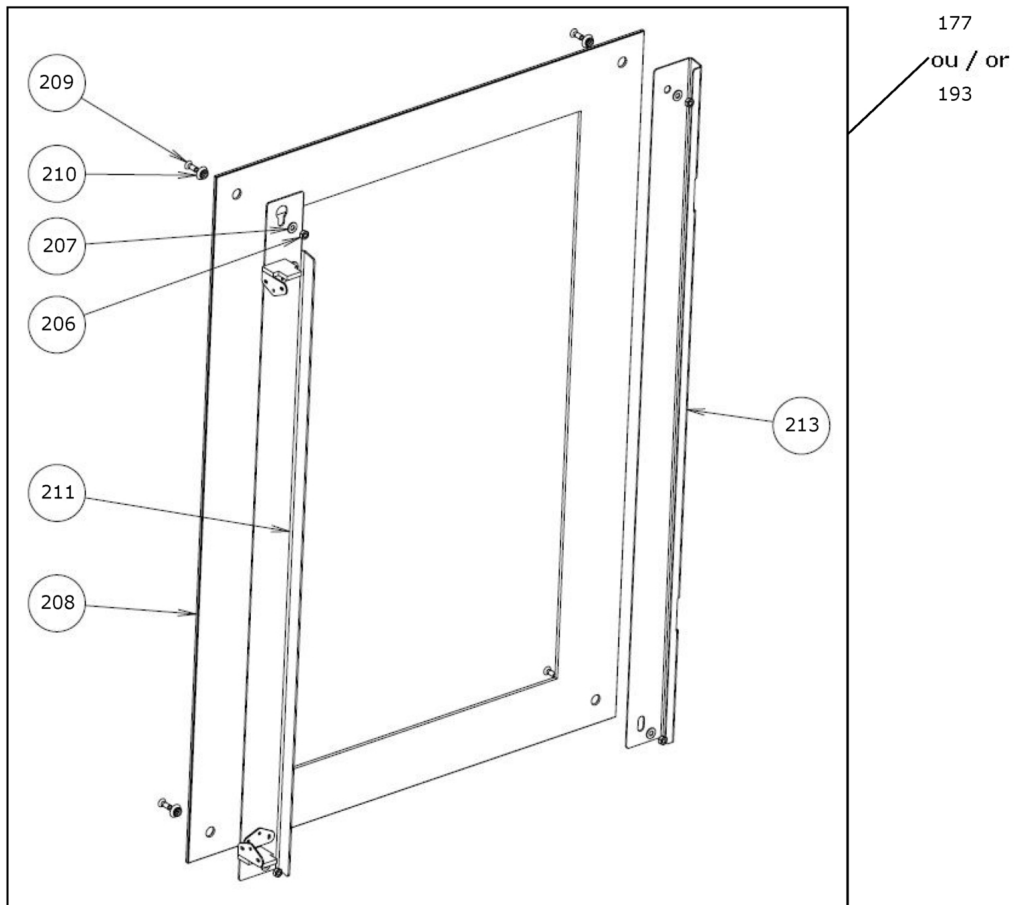


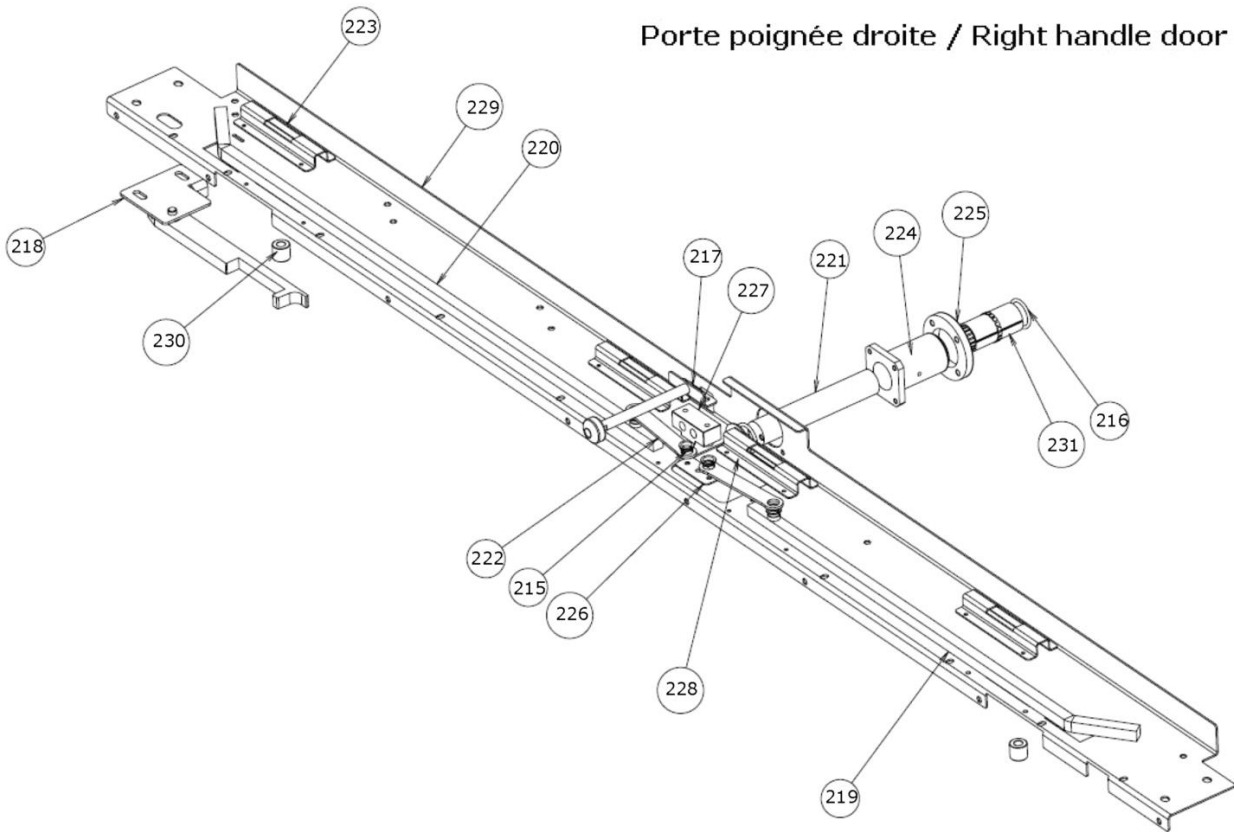
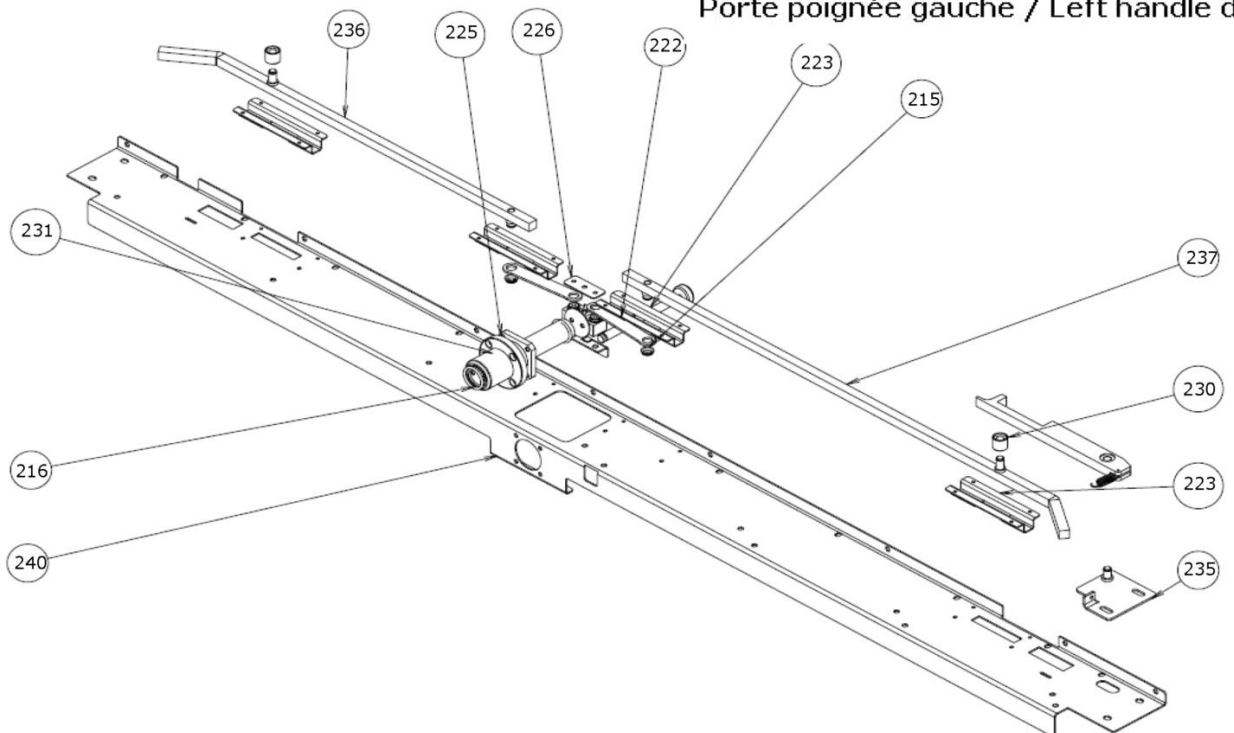
08b Sheath driving



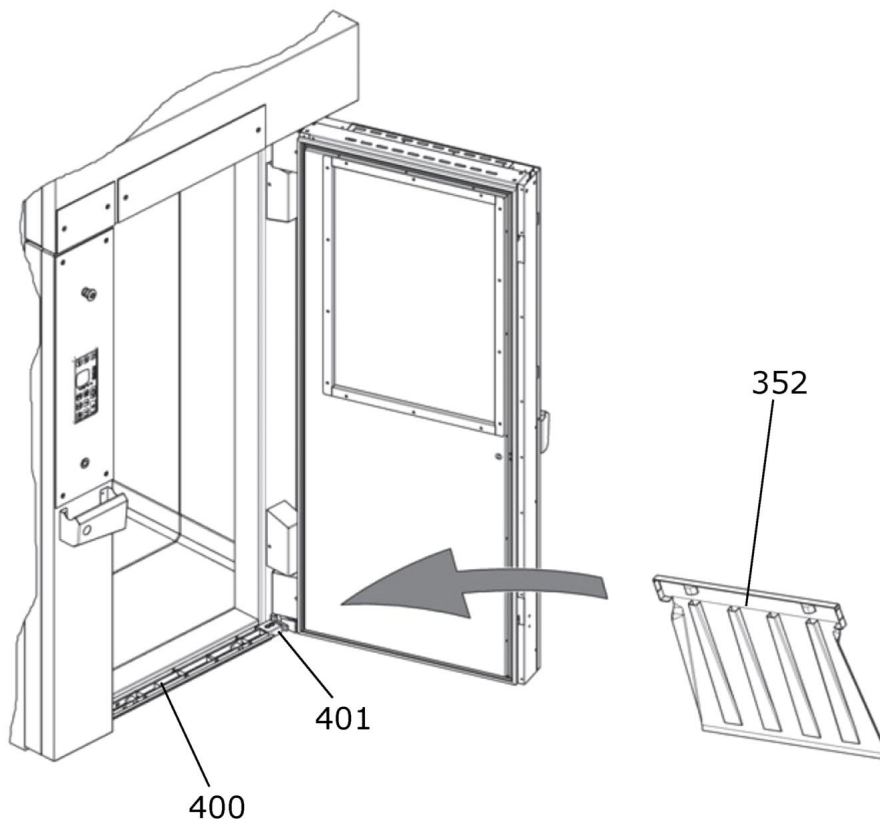
Poignée à droite / Right handle

Poignée à gauche / Left handle


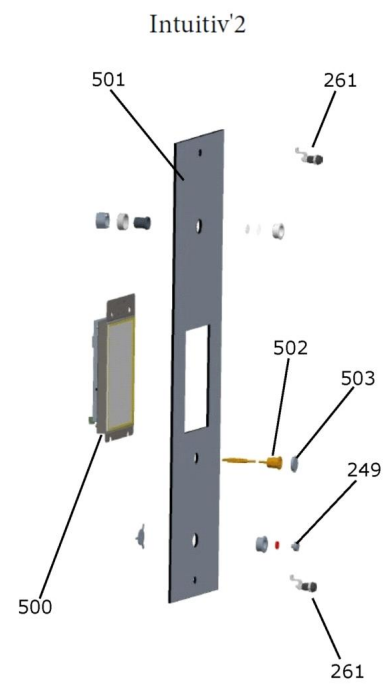
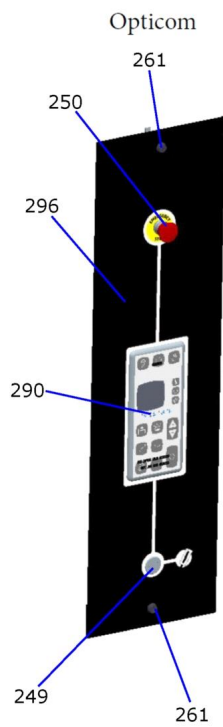
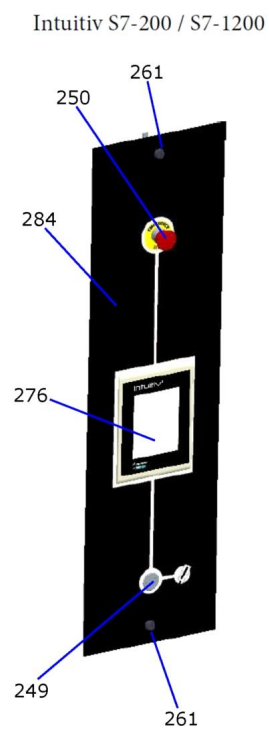
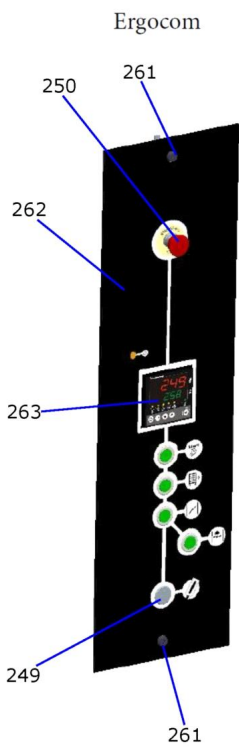
10 Door - front glass detail

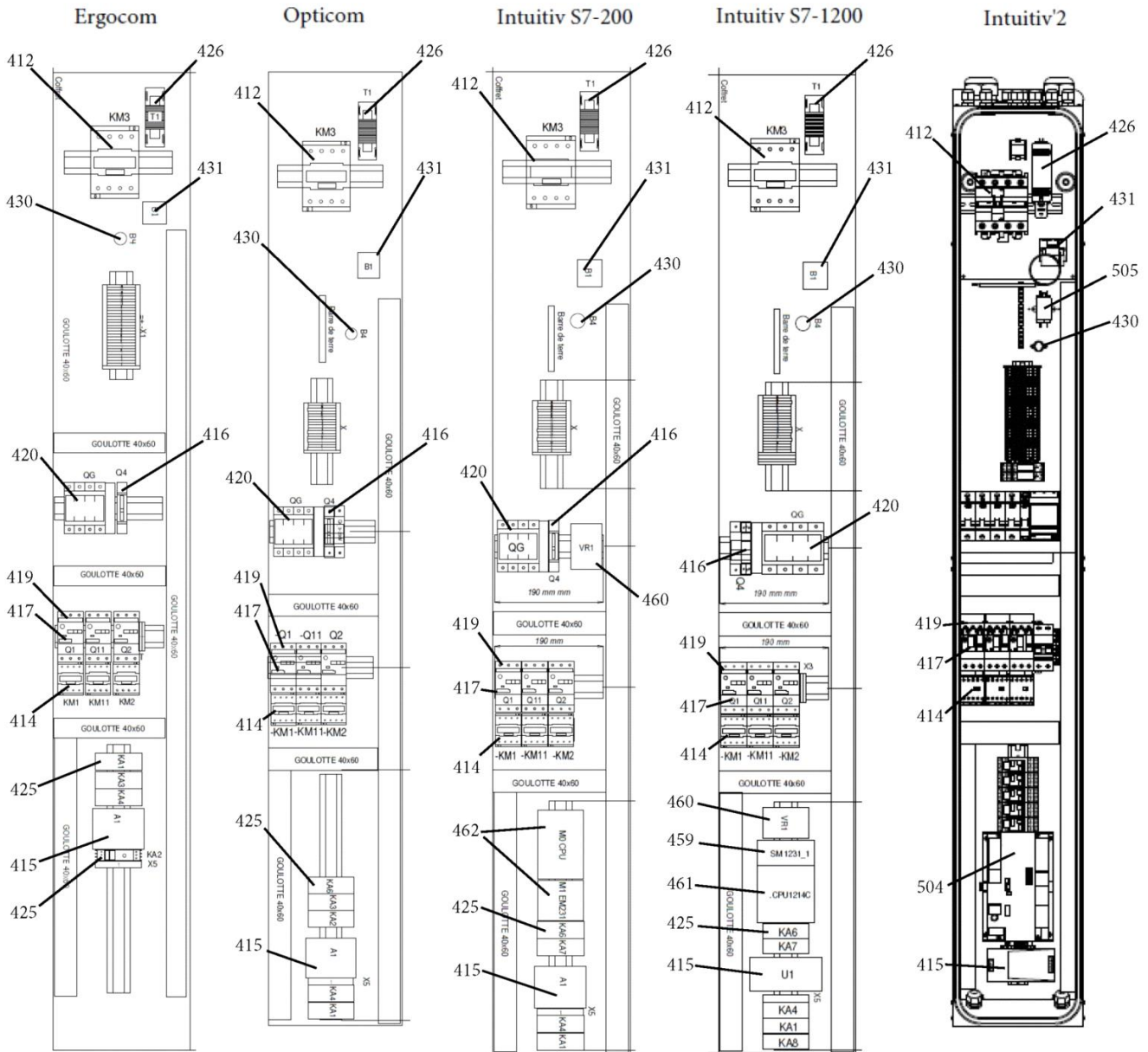


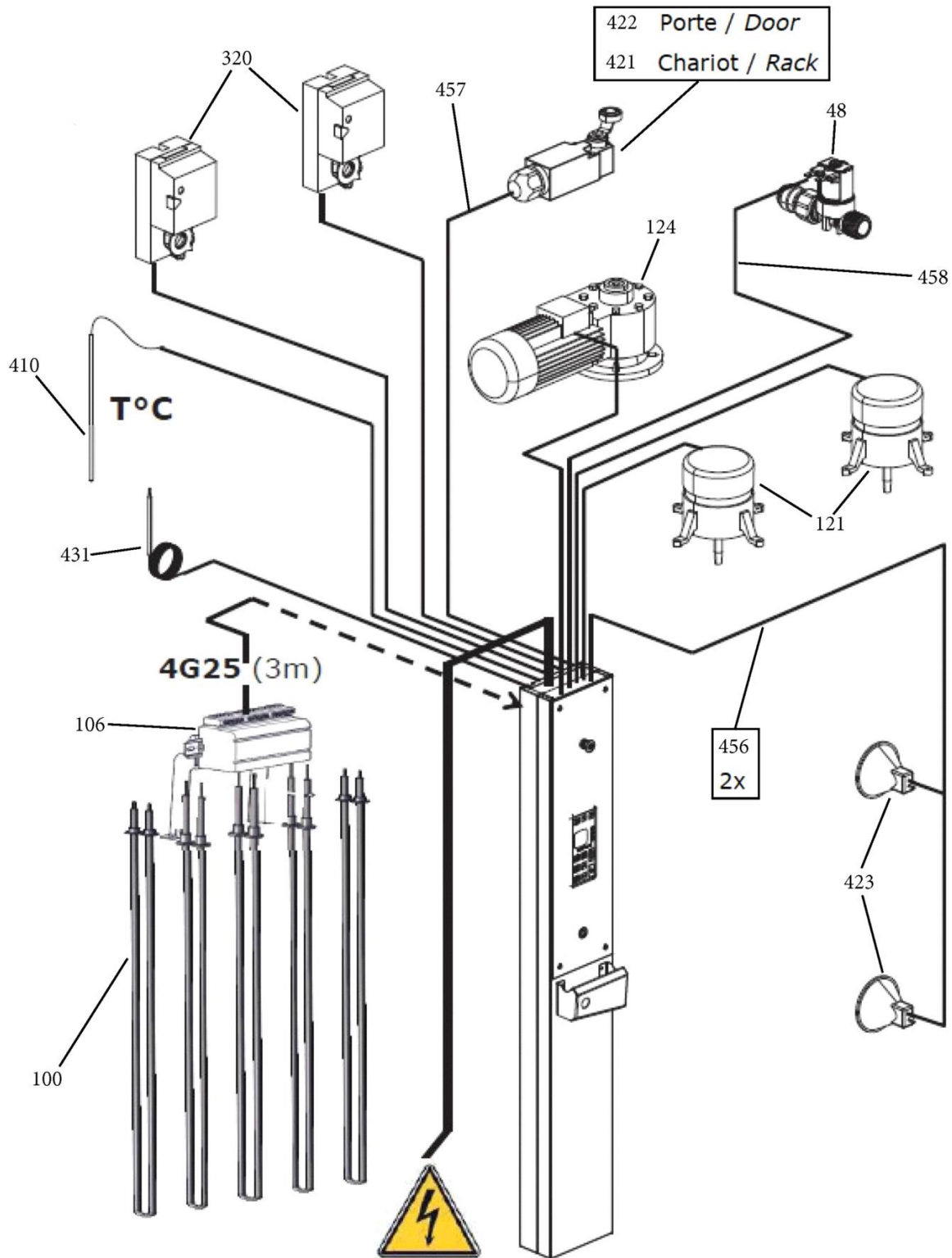
11 Door - locking detail
Porte poignée droite / Right handle door

Porte poignée gauche / Left handle door


11b Access ramp

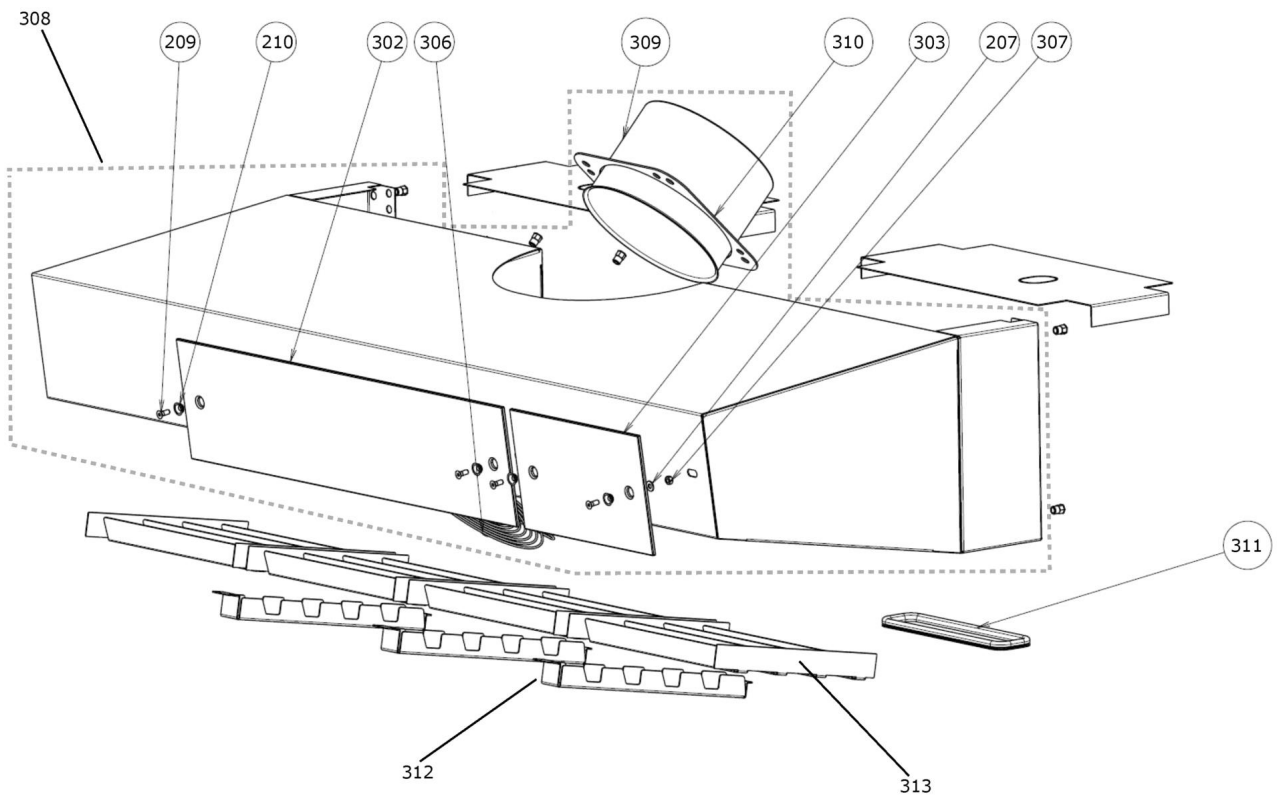


12 Ergocom, Intuitiv, Opticom boards


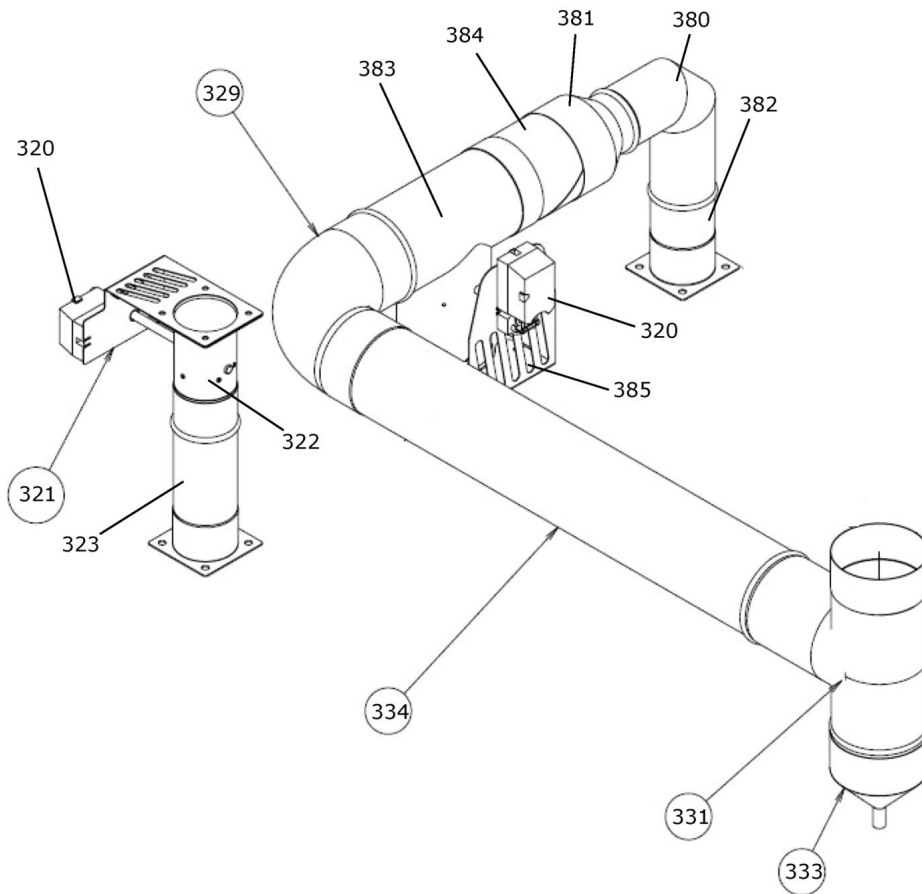
12b Power modules


12c Electrical connections


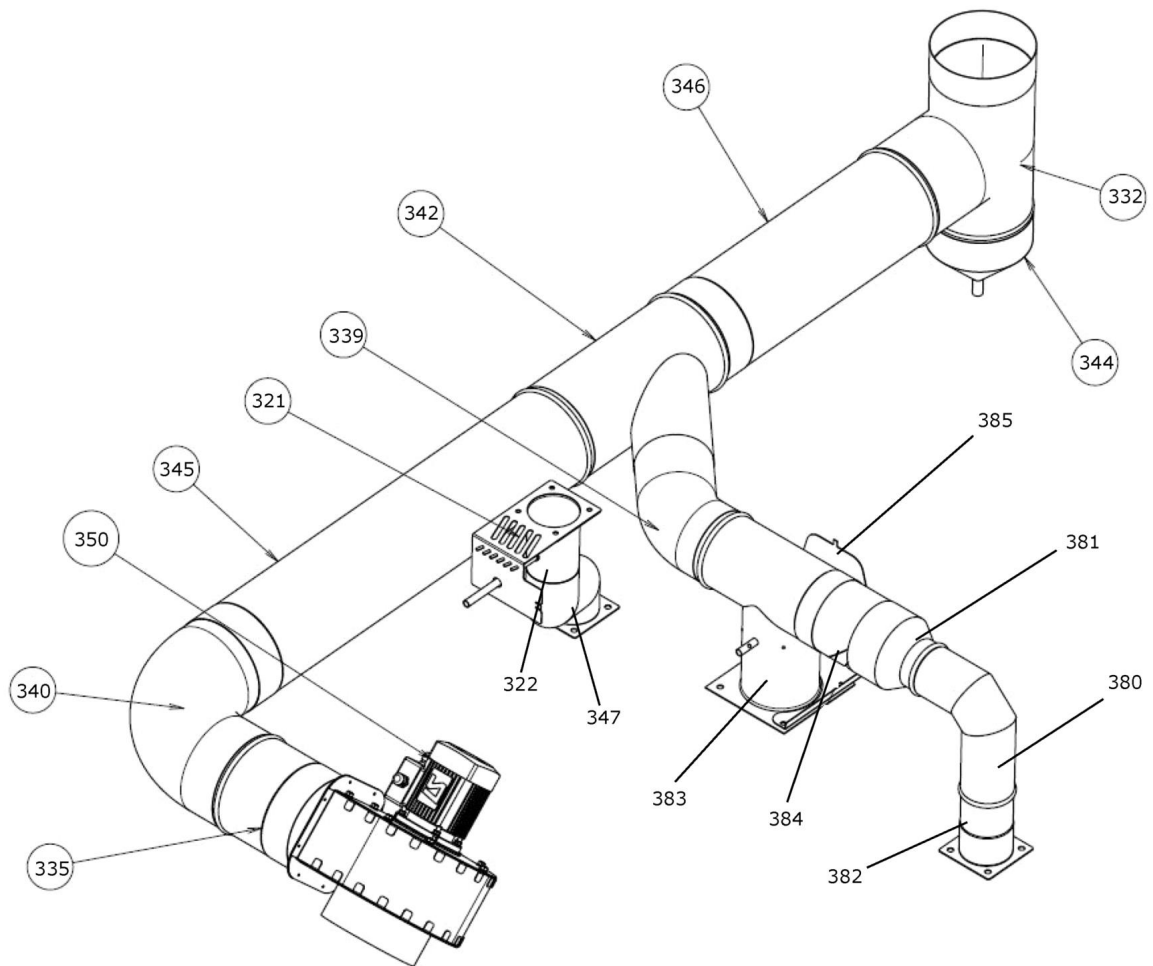
13 Hood



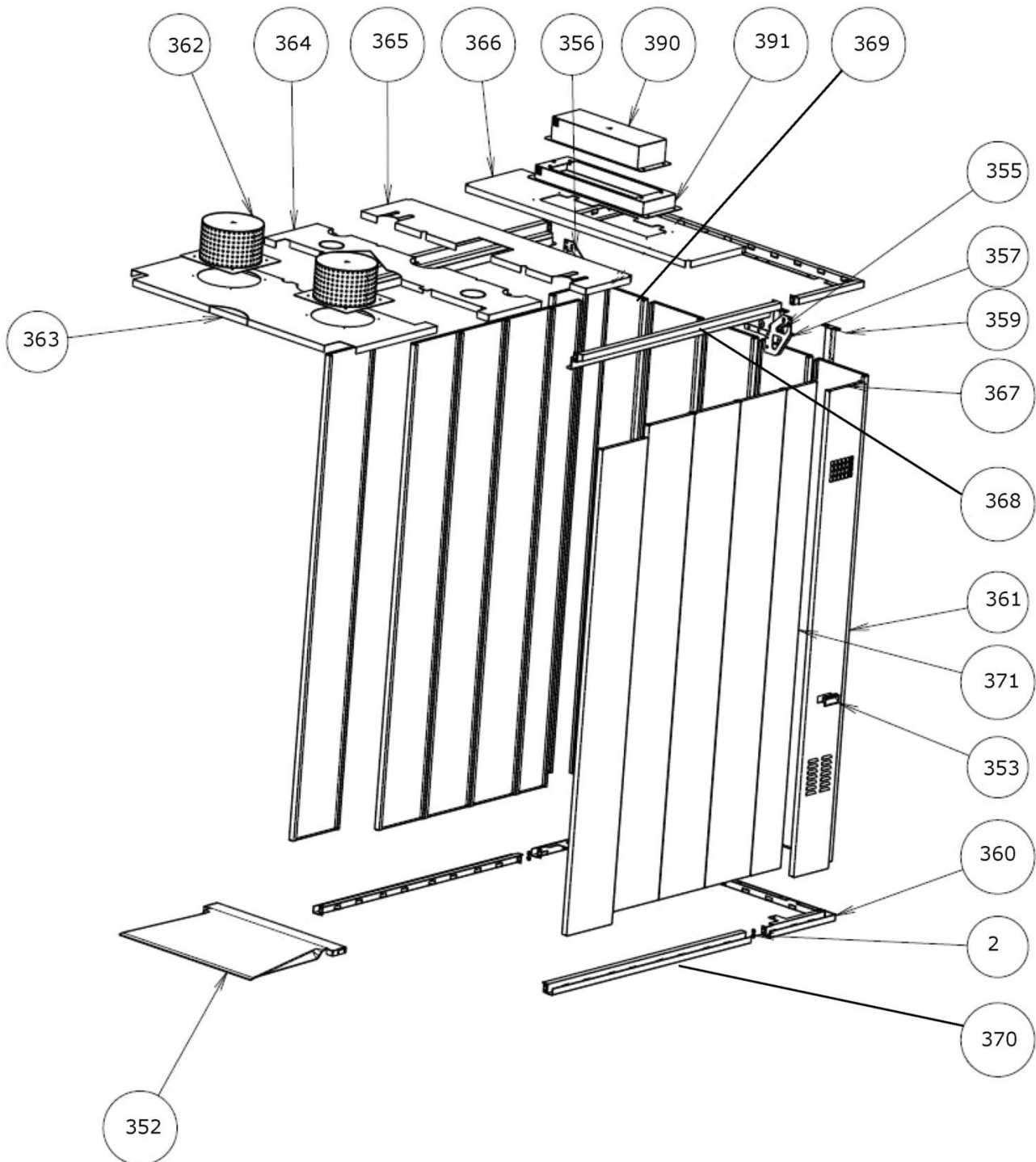
14 Banner smokehouse



15 Hood smokehouse



16 Carcass



Pos	Code	Description	From	To	Recommended
00000	AF101045601	T male key screw HCM4			<input type="checkbox"/>
00000	AF101174461	Round magnet #43 threaded M4			<input type="checkbox"/>
00000	AF102001161	Set of plugs for OPTICOM FULL			<input type="checkbox"/>
00000	AF102001211	Corner plate 31,8x16,2x84,8 for OPTICOM			<input type="checkbox"/>
00000	AF102001261	Grey seal for Opticom			<input type="checkbox"/>
00000	AF102001271	Silicone protection 130x250x0,5 OPTICOM			<input type="checkbox"/>
00000	AF102001551	Ground fixation OPTICOM 30x0,5x35			<input type="checkbox"/>
00000	AF102001711	Control panel OPTICOM2 grey for ovens			<input checked="" type="checkbox"/>
00000	AF102010921	Junction block 6mm ² porcelain			<input type="checkbox"/>
00000	AF102011401	Junction block 2.5mm ²			<input type="checkbox"/>
00000	AF102011412	Junction block 2.5mm ² V/J ZPE 2.5/3AN			<input type="checkbox"/>
00000	AF102011821	Stopper ZEW35 954000			<input type="checkbox"/>
00000	AF102014011	Auxiliary contact NC ZBE 102			<input type="checkbox"/>
00000	AF102014071	Body + contact NO ZB4-BZ101 métal			<input type="checkbox"/>
00000	AF102020070	Versilic stopper T12B grey silicone			<input type="checkbox"/>
00000	AF102020883	Silicone cable 2x0.75mm ² 180°C			<input type="checkbox"/>
00000	AF102021204	Silicone cable 3G0.75mm ² 180°C			<input type="checkbox"/>
00000	AF102021214	Silicone cable 4G0.75mm ² 180°C			<input type="checkbox"/>
00000	AF102021263	Silicone cable 2x1.5mm ² 180°C			<input type="checkbox"/>
00000	AF102040024	Buzzer 24V			<input type="checkbox"/>
00000	AF102043421	Halogen lamp socket P59MD15 0,15 meter			<input type="checkbox"/>
00000	AF102043441	Halogen lamp socket P59MD120 1,20 meter			<input checked="" type="checkbox"/>
00000	AF102164311	Cable gland ISO 20 polyamide CAP422002			<input type="checkbox"/>
00000	AF102164315	Nut ISO 20 polyamide CAP262073			<input type="checkbox"/>
00000	AF102164341	Cable gland ISO 40 polyamide CAP424002			<input type="checkbox"/>
00000	AF102164345	Nut ISO 40 polyamide CAP264073			<input type="checkbox"/>
00000	AF102164371	Cable gland ISO 16 polyamide			<input type="checkbox"/>
00000	AF102164375	Nut ISO 16 polyamide CAP261673			<input type="checkbox"/>
00000	AF103004702	Aluminium tape AT 500 100mmx50m			<input type="checkbox"/>
00000	AF103109221	Panel rockwool 30x600x1350 1panel			<input type="checkbox"/>
00000	AF103109231	Panel rockwool 50x600x1350 1panel			<input type="checkbox"/>
00000	AF103300307	Fluor grease high temperature box 50gr			<input checked="" type="checkbox"/>
00000	AF103601082	S/steel tube #150x190			<input type="checkbox"/>
00000	AF103801971	Rockwool bag of 10kgs			<input type="checkbox"/>
00000	AF104004300	Black nut H M8			<input type="checkbox"/>
00000	AF104004400	Black nut H M10			<input type="checkbox"/>
00000	AF104004500	Black nut H M12			<input type="checkbox"/>
00000	AF104004890	Brass blind nut H M8 DIN1587			<input type="checkbox"/>
00000	AF104006250	S/steel insert M8 hexagonal head			<input type="checkbox"/>
00000	AF104006490	Cage nut M8 1,2-1,6			<input type="checkbox"/>
00000	AF104008511	S/steel nut M6 self locking			<input type="checkbox"/>
00000	AF104008521	S/steel nut M8 self locking			<input type="checkbox"/>
00000	AF104009400	Brass nut H M8			<input type="checkbox"/>
00000	AF104011300	Threaded shaft M8x12			<input type="checkbox"/>
00000	AF104014330	S/steel rivet TP 4x10 multiserrate			<input type="checkbox"/>
00000	AF104017420	Zing plated washer 8/30 thick:2mm			<input type="checkbox"/>
00000	AF104018240	Washer zing grower 8 NFE 25515			<input type="checkbox"/>
00000	AF104020601	Washer COVISIL # 8X16 ép.2			<input type="checkbox"/>
00000	AF104024110	S/steel screw H M5x50			<input type="checkbox"/>
00000	AF104024900	Black screw H M8X20			<input type="checkbox"/>

Pos	Code	Description	From	To	Recommended
00000	AF104034040	S/steel screw H M6X25			<input type="checkbox"/>
00000	AF104034100	S/steel screw H M8X12			<input type="checkbox"/>
00000	AF104034250	S/steel screw H M8X30			<input type="checkbox"/>
00000	AF104038140	Zinc-plated screw H ST5,5x16			<input type="checkbox"/>
00000	AF104050290	S/steel screw RLX M5-12			<input type="checkbox"/>
00000	AF104051460	S/steel screw BHC M8X20			<input type="checkbox"/>
00000	AF104051540	S/steel screw BHC M8X16			<input type="checkbox"/>
00000	AF104051570	S/steel screw CHC M8X12 low head			<input type="checkbox"/>
00000	AF104054600	Black screw AHC PT M6X16			<input type="checkbox"/>
00000	AF104056200	Brass screw H M8X16			<input type="checkbox"/>
00000	AF104060300	Snap ring outside #10			<input type="checkbox"/>
00000	AF104060400	Snap ring outside #12			<input type="checkbox"/>
00000	AF104064030	Snap ring DCI #3/#38			<input type="checkbox"/>
00000	AF104064100	Snap ring outside #10-14			<input type="checkbox"/>
00000	AF104111701	Fluted tip #19 1/2 Male			<input type="checkbox"/>
00000	AF104184931	Brass reduction 3/4-1/2FF			<input type="checkbox"/>
00000	AF104220301	Double cone connection 14x1/2 Male			<input type="checkbox"/>
00000	AF104220561	Welded connection #14x1/2M+filter seal			<input type="checkbox"/>
00000	AF104303683	Graphited seal 8x8			<input type="checkbox"/>
00000	AF104307001	Tight band roller PTFE 12m width12mm			<input type="checkbox"/>
00000	AF104308011	Sealing dough 5972 200 mL			<input type="checkbox"/>
00000	AF105010751	Bronze ring #44X35X22			<input type="checkbox"/>
00000	AF105098003	Adhesive foam band 15x4			<input type="checkbox"/>
00000	AF105098003	Adhesive foam band 15x4 roll of 10m L			<input type="checkbox"/>
00000	AF105122791	Motor HT29/50 550-800W T200-480V50-60HZ K			<input checked="" type="checkbox"/>
00000	AF105126445	Metallic cover motor BN71			<input type="checkbox"/>
00000	AF105126601	Breather for motor gearbox			<input type="checkbox"/>
00000	AF105153221	Silicone high temperature KODITEC			<input type="checkbox"/>
00000	AF105158153	Covisil profile 178 QUAL 9750 roll of 25 L			<input type="checkbox"/>
00000	AF105158371	Seal 11x11 EPDM for electrical box			<input type="checkbox"/>
00000	AF105171061	Flat spring 160x25x2,5			<input type="checkbox"/>
00000	AF105173101	Bearing GXD 30 SA			<input type="checkbox"/>
00000	AF105192861	Inferior olive f/probe #4			<input checked="" type="checkbox"/>
00000	AF105199174	Tube EPDM 1013S MPH #19			<input type="checkbox"/>
00000	AF105330011	Set of water pressure reducer			<input type="checkbox"/>
00000	AF105910772	Invisible hinge 3627			<input type="checkbox"/>
00000	AF105910782	Invisible hinge 3628			<input type="checkbox"/>
00000	AF121030690	Zing-plated screw CHC M6X16 8.8 ISO4762			<input type="checkbox"/>
00000	AF137029231	Insulating connection shaft #14x70			<input type="checkbox"/>
00000	AF137030011	Cast iron gutter lg 600 600x75x26			<input type="checkbox"/>
00000	AF138012371	Washer BA55 #34X4			<input type="checkbox"/>
00000	AF151519021	Light closing sheet OMEGA 86x1,2x156			<input type="checkbox"/>
00000	AF152810081	Magnet support plate #56			<input type="checkbox"/>
00000	AF152810141	Magnet support ring			<input type="checkbox"/>
00000	AF156010011	Slide 100% 250mm ACCURIDE DZ3832-002			<input type="checkbox"/>
00000	AF156214011	Hood 8.64 left handle 597x300x1440			<input type="checkbox"/>
00000	AF156222132	Bumper left handle L280 147x116x280			<input type="checkbox"/>
00000	AF156240191	To pivot part front stud 76x14x120			<input type="checkbox"/>

Pos	Code	Description	From	To	Recommended
00000	AF156255073	Repartitor + support 160A 4G25 L3.5ML			<input type="checkbox"/>
00000	AF156280481	Door handle #45x220			<input type="checkbox"/>
00000	AF156282591	Stainless steel ring C25/12x6			<input type="checkbox"/>
00000	AF156282601	Seal BA55 40x2x40			<input type="checkbox"/>
00000	AF156282851	Frame steam generator bracket			<input type="checkbox"/>
00000	AF156284751	Front roof panel 8.64 with hood			<input type="checkbox"/>
00000	AF160840001	Frame fixation 32x30x52			<input type="checkbox"/>
00000	AF172103121	Traction spring #10x38x1,5 for door			<input type="checkbox"/>
00000	AF174301421	Flask for modular valve 128x2x128			<input type="checkbox"/>
00000	AF175060041	Bearing stopper #75/30x23			<input type="checkbox"/>
00000	AF175097901	Unloading hook RACK OVEN			<input type="checkbox"/>
00000	AF175327611	Insulating connection #20x#14,5x48			<input type="checkbox"/>
00000	AF175345601	Centring ramp #21,25x20			<input type="checkbox"/>
00000	AF175393311	Wiring kit solenoid valve 3G0,75x3200			<input type="checkbox"/>
00000	AF175517901	Washer #6.2/#35 thickness 3mm			<input type="checkbox"/>
00000	AF175784121	Safety switch and cam support 72x2x147			<input type="checkbox"/>
00000	AF176280281	Flange #100x30 6.43			<input type="checkbox"/>
00000	AF176770581	Sensor closing plate 39x1,5x60			<input type="checkbox"/>
00000	AF1SPE22961	Set of setting tools S4			<input type="checkbox"/>
00000	AF1W0001426	Fan 9956 9956 7			<input checked="" type="checkbox"/>
00000	AF1W0001427	Cable + plug D 1.5ml			<input type="checkbox"/>
00000	AF1W0001428	Square fan grid LZ30PE			<input type="checkbox"/>
00001	AF104009190	S/steel nut H M8			<input type="checkbox"/>
00002	AF104017410	S/steel washer 8/18 M			<input type="checkbox"/>
00003	AF104034200	S/steel screw H M8X20			<input type="checkbox"/>
00004	AF104103141	Brass cap 3/8 F			<input type="checkbox"/>
00005	AF104105321	Brass elbow 3/8 F			<input type="checkbox"/>
00006	AF104106321	Brass elbow 3/8 MF			<input type="checkbox"/>
00007	AF104108301	Galvanized union elbow 96 3/4			<input type="checkbox"/>
00008	AF104108701	Brass union elbow 3/8 conical			<input type="checkbox"/>
00009	AF104109401	Galvanised elbow N02 3/4 FF			<input type="checkbox"/>
00010	AF104130151	Galvanized nut 310 3/4			<input type="checkbox"/>
00011	AF104182061	Coupling sleeve 270 galvanized 3/4			<input type="checkbox"/>
00012	AF104187011	Brass connector 3/8 MF RU12			<input type="checkbox"/>
00013	AF104600001	Crossing muff 3/8 BSP F			<input type="checkbox"/>
00014	AF104600051	Copper seal #26,3/#31x2			<input type="checkbox"/>
00015	AF136411094	Drain tube 176x24x205 for brass valve			<input type="checkbox"/>
00016	AF137030051	Set of 37 iron gutters lg600			<input type="checkbox"/>
00017	AF156206611	Injection pipe 8.64 9 holes			<input type="checkbox"/>
00019	AF156282831	Holder for injection S4 25x22x97			<input type="checkbox"/>
00020	AF156283281	Galvanized connection f/steam 3/4 Lg 115			<input type="checkbox"/>
00021	AF156283801	Galvanized connection f/steam 3/4 Lg 150			<input type="checkbox"/>
00022	AF156284351	Bent copper tube #14 3/8M 3/8F			<input type="checkbox"/>
00023	AF156284711	Galvanized connection f/steam 3/4 Lg 300			<input type="checkbox"/>
00024	AF137025151	High water input #17x280			<input type="checkbox"/>
00025	AF156285251	Water inlet #17.2 Lg 135			<input type="checkbox"/>
00026	AF175055902	Cover for gutter (cast iron) 65X40X150			<input type="checkbox"/>
00033	AF156283661	High water input #17,2x340			<input type="checkbox"/>
00035	AF104101501	Cap 290 galvanized 3/4"			<input type="checkbox"/>
00036	AF104106061	Galvanised elbow 92 3/4 MF			<input type="checkbox"/>

Pos	Code	Description	From	To	Recommended
00040	AF104182075	Stainless steel sleeve 316L 3/4			<input type="checkbox"/>
00042	AF104240301	Tee 130 galvanised 3/4			<input type="checkbox"/>
00043	AF104241511	Brass Tee 3/4 F			<input type="checkbox"/>
00047	AF105096611	Flat seal BA55 #55x28x2			<input type="checkbox"/>
00048	AF105180491	Brass solenoid valve 1/2 NF 24V DC 12W			<input type="checkbox"/>
00050	AF156206712	Injection tube 3 pipes #4,5 #17x85x1270			<input type="checkbox"/>
00051	AF156206741	Set of 36 cast iron modules S4			<input type="checkbox"/>
00052	AF156206771	Right drain tray			<input type="checkbox"/>
00053	AF156206781	Left drain tray			<input type="checkbox"/>
00054	AF156210211	Drain tray (top) 160x75x160			<input type="checkbox"/>
00055	AF156210221	Drain tray (intermediate) 160x75x160			<input type="checkbox"/>
00056	AF156280753	Galvanized connection f/steam 3/4 lg 420			<input type="checkbox"/>
00057	AF156280763	Galvanized connection f/steam 3/4 Lg 60			<input type="checkbox"/>
00058	AF156281251	Drain tray (bottom) 160x95x225			<input type="checkbox"/>
00059	AF156281681	Plate f/steam generator position			<input type="checkbox"/>
00060	AF156282461	Anti-splash plate 46x46x100mm			<input type="checkbox"/>
00063	AF156283791	Drain tightening washer #55/#28 ép.2			<input type="checkbox"/>
00065	AF156010021	Flexible tricoclair Ø19 LG.1M 3/4M 1/2M			<input type="checkbox"/>
00070	AF104180431	Brass nipple 3/4"			<input type="checkbox"/>
00089	AF156280772	Galvanized connection f/steam 3/4 lg 140			<input type="checkbox"/>
00100	AF102193551	Heating element 2715W 230V E30 L1700			<input checked="" type="checkbox"/>
00101	AF156251081	Safety thermostat bracket S4			<input type="checkbox"/>
00102	AF156251261	Steam tray 8.64 E 83x58x639			<input type="checkbox"/>
00104	AF156255051	Assembled intermediate deflector			<input type="checkbox"/>
00105	AF156255061	Assembled low deflector			<input type="checkbox"/>
00106	AF102010653	Deck distributor 160A ERICO 12 holes			<input checked="" type="checkbox"/>
00106	AF102010654	Neutral junction block 160A			<input type="checkbox"/>
00107	AF156255181	Side gutter support 8.64 247x99x1563			<input type="checkbox"/>
00108	AF156255191	Low and top closing sheet 87x30x1058			<input type="checkbox"/>
00109	AF156283111	Side deflector 195x152x200			<input type="checkbox"/>
00110	AF156283122	Top left angle deflector V2 125x125x195			<input type="checkbox"/>
00111	AF156283152	Battery collector separating sheet			<input type="checkbox"/>
00112	AF156283902	Drain access plate V2 180x1,2x220			<input type="checkbox"/>
00113	AF156284281	Elements partitioning 8.64 670x84,7x1530			<input type="checkbox"/>
00114	AF156284291	Battery module side reinforcement sheet			<input type="checkbox"/>
00115	AF156284301	Perforated battery closing sheet			<input type="checkbox"/>
00116	AF156284741	Battery elements insulation 8.64			<input type="checkbox"/>
00117	AF156281061	Diverging partition 292x121x740			<input type="checkbox"/>
00121	AF105122791 K	Motor HT29/50 550-800W T200-480V50-60HZ			<input type="checkbox"/>
00122	AF105198131	Fan clockwise 40 blades #280x100			<input type="checkbox"/>
00123	AF105198121	Fan c/clockwise 40 blades #280x100			<input type="checkbox"/>
00124	AF105126441	Gearmotor 3,5rpm 50/60hz			<input checked="" type="checkbox"/>
00125	AF104017610	S/steel washer 12/27 M			<input type="checkbox"/>
00126	AF104031120	Zinc-plated screw H M12x110			<input type="checkbox"/>
00129	AF105022201	Key A8x7x36			<input type="checkbox"/>
00136	AF175345801	Cam for plate limit switch 22x22x61			<input type="checkbox"/>
00140	AF104017510	S/steel washer 10/22 M			<input type="checkbox"/>
00150	AF104009360	Brass nut H M10			<input type="checkbox"/>
00151	AF104017530	S/steel washer 10/36 LL			<input type="checkbox"/>

Pos	Code	Description	From	To	Recommended
00152	AF156211291	Frame shaft mounted for rack oven			<input type="checkbox"/>
00153	AF104030630	Zinc-plated screw H M10x90/26			<input type="checkbox"/>
00156	AF137021021	Driving shaft #35x392,5			<input type="checkbox"/>
00157	AF156282861	Seal BA55 105x4x180			<input type="checkbox"/>
00158	AF156283911	Motor spacer S4 105x4x180			<input type="checkbox"/>
00159	AF175341581	Crossbar spacer #20x26			<input type="checkbox"/>
00163	AF104034450	S/steel screw H M10x25			<input type="checkbox"/>
00165	AF137055131	Turntable bearing #120x32 8.63			<input checked="" type="checkbox"/>
00166	AF137055231	Rising turntable washer #75/#31 EP2			<input type="checkbox"/>
00167	AF156266011	Turntable 8.64 708x87x861			<input type="checkbox"/>
00168	AF156266051	Driving shaft s/s 8.64 716x385x1978			<input type="checkbox"/>
00169	AF156284121	Head reinforcement sheet 8.64 s/steel			<input type="checkbox"/>
00170	AF104018870	Starlock washer 19mm 6828.1190 BV			<input type="checkbox"/>
00171	AF105055232	Door seal 800X1900 8.64			<input type="checkbox"/>
00172	AF105156341	Glass door 623x885x5			<input type="checkbox"/>
00173	AF105910821	Elastic holder Female/Female #25 L22 M8			<input type="checkbox"/>
00174	AF156220102	Door pivot set 8.64 shaft #25			<input type="checkbox"/>
00175	AF156220152	Internal glass frame 664x20x935			<input type="checkbox"/>
00180	AF156280561	Ring #25x16 for safety handle			<input type="checkbox"/>
00181	AF156281971	Plate f/fixation silenbloc 54x4x122			<input type="checkbox"/>
00185	AF105158153	Covisil profile 178 QUAL 9750			<input type="checkbox"/>
00186	AF105158242	Seal P4440 02 grey COVISIL 9661 RAL7015			<input type="checkbox"/>
00187	AF1W0001987	Round magnet #16x4 M6			<input type="checkbox"/>
00193	AF156220031	Front glass equipped 8.64 L/H 702x982x56			<input type="checkbox"/>
00194	AF156220082	Locking set for left handle			<input type="checkbox"/>
00197	AF056020021	Left handle set S4			<input type="checkbox"/>
00199	AF156281751	Mechanism cover left handle 114x22x1950			<input type="checkbox"/>
00200	AF156281862	Back cover 8.64 left handle 782x18x1909			<input type="checkbox"/>
00206	AF104004320	Zinc-plated nut HM6 with base CL8			<input type="checkbox"/>
00207	AF104017290	S/steel washer 6/14 M			<input type="checkbox"/>
00208	AF105154901	External glass door S4 982x700x5			<input type="checkbox"/>
00209	AF104051740	S/steel screw FHC M6x20 black			<input type="checkbox"/>
00209	AF104051740	S/steel screw FHC M6x20 black			<input type="checkbox"/>
00210	AF105154991	Insert f/glass fixing #17,3x6,5			<input type="checkbox"/>
00211	AF156220071	Right hinges with support f/left handle S			<input checked="" type="checkbox"/>
00213	AF156281871	Plate 60x25x971 f/glass door			<input type="checkbox"/>
00215	AF105910712	Plastic ring #12			<input type="checkbox"/>
00216	AF121002140	O-Ring #29,3X3,6			<input type="checkbox"/>
00217	AF156220041	Door emergency pusher			<input checked="" type="checkbox"/>
00221	AF156280471	Handle shaft #30x165			<input type="checkbox"/>
00222	AF156280821	Toggle joint connecting rod 22x3x129			<input type="checkbox"/>
00223	AF156281921	Guide 44x17,5x135			<input type="checkbox"/>
00224	AF156281931	Door handle bushing			<input type="checkbox"/>
00225	AF156281941	Flange for door handle #80x10			<input type="checkbox"/>
00226	AF156281961	Toggle joint cap 24x1,5x58			<input type="checkbox"/>
00227	AF156281981	Toggle joint head 25x25x58			<input type="checkbox"/>
00228	AF156282611	Handle stopper #45x1,5			<input type="checkbox"/>
00230	AF175352471	Brass roller #20/10x18			<input type="checkbox"/>
00231	AF105910731	Film for IGUS socket JUM-01-30			<input type="checkbox"/>

Pos	Code	Description	From	To	Recommended
00235	AF156220051	Locking door left handle			<input type="checkbox"/>
00236	AF156220181	Lower rod left handle			<input type="checkbox"/>
00237	AF156220191	Upper rod left handle			<input type="checkbox"/>
00249	AF101174451	Round magnet #20 threaded			<input type="checkbox"/>
00250	AF102014201	Safety stop button #22 ZB4			<input type="checkbox"/>
00261	AF105145011	Compression latch E3.56.25			<input type="checkbox"/>
00290	AF102001711	Control panel OPTICOM2 grey for ovens			<input type="checkbox"/>
00296	AF105154862	Glass for OPTICOM panel 276x982x5			<input type="checkbox"/>
00299	AF104006200	Embedded nut BOLLHOFF M8 tenue 400H			<input type="checkbox"/>
00300	AF104006270	Insert zinc-plated nut M5 hexagonal			<input type="checkbox"/>
00302	AF105154801	Glass for headband S4/OMEGA 700x170x5			<input type="checkbox"/>
00303	AF105154812	Glass screenprinted S4 170x276x6			<input type="checkbox"/>
00306	AF105210661	Ventilator grid W2E200HK3801			<input type="checkbox"/>
00307	AF121030220	Nut H M6 CL8 ISO4032			<input type="checkbox"/>
00308	AF156214011	Hood 8.64 left handle 597x300x1440			<input type="checkbox"/>
00309	AF170406601	Flange #200 without holes			<input type="checkbox"/>
00310	AF170408601	Tube support flange 200 230x2x230			<input type="checkbox"/>
00311	AF105158381	Seal 9x9 EPDM for electrical box			<input type="checkbox"/>
00312	AF152631001	Grid support 40x30x362			<input type="checkbox"/>
00313	AF156282052	Hood grid 8.64 317x283x38			<input type="checkbox"/>
00320	AF105128201	Minimotor 225S-024T-03 35s #6 24VDC			<input type="checkbox"/>
00321	AF156282171	Air inlet valve holder 177x121x220 S4			<input type="checkbox"/>
00322	AF174301432	S/steel valve #100x128x160x128			<input type="checkbox"/>
00332	AF103600732	S/steel tee #200			<input type="checkbox"/>
00335	AF103601102	S/steel tube #200x250			<input type="checkbox"/>
00339	AF103600082	S/steel elbow 1/8 #150			<input type="checkbox"/>
00340	AF103600132	S/steel elbow 1/4 #200			<input type="checkbox"/>
00342	AF103600521	Y connection #200x150			<input type="checkbox"/>
00344	AF103600871	S/steel bleeding #200			<input type="checkbox"/>
00345	AF103600932	S/steel tube #200x1000			<input type="checkbox"/>
00346	AF103601092	S/steel tube #200x650			<input type="checkbox"/>
00347	AF103601301	Stainless steel connection #100x260-200			<input type="checkbox"/>
00350	AF199982003	Hood extractor #200 mono 230V 50/60Hz			<input type="checkbox"/>
00352	AF175345061	Access ramp 2007 8.63 L635 777x26x635			<input type="checkbox"/>
00353	AF101230801	Black plastic handle ABS			<input type="checkbox"/>
00355	AF105096771	Insulating washer EP2 #30#9 S4			<input type="checkbox"/>
00356	AF156282201	Left plate f/exchanger frame 198x17x273			<input type="checkbox"/>
00357	AF156282211	Right fixation carcass sheet 198x172x273			<input type="checkbox"/>
00359	AF156282231	Exchanger carcass post 91x30x2209			<input type="checkbox"/>
00360	AF156283212	Carcass side sheet 428x44x1434			<input type="checkbox"/>
00361	AF156282261	Frame panel L 300 300x29x2265			<input type="checkbox"/>
00362	AF156282331	Welded motor protection S4 320x320x169,5			<input type="checkbox"/>
00363	AF156282341	Front cover sheet 8.64 632x32x1350			<input type="checkbox"/>
00364	AF156282351	Cover sheet 8.64 back damper 376x32x1350			<input type="checkbox"/>
00365	AF156282362	Cover sheet 8.64 back damper 315x32x1350			<input type="checkbox"/>
00366	AF156283192	Back cover sheet 8.64E 380x32x1350			<input type="checkbox"/>
00367	AF156282791	Frame panel L230 230x29x2265			<input type="checkbox"/>
00368	AF156282821	Frame support S4 L1304 with chute			<input type="checkbox"/>
00369	AF156282991	Back frame panel L230 ass			<input type="checkbox"/>
00370	AF156283671	Panel frame 65x44x1304			<input type="checkbox"/>

Pos	Code	Description	From	To	Recommended
00371	AF156283691	Frame panel L200 200x29x2265			<input type="checkbox"/>
00380	AF103600092	S/steel elbow 1/4 #100 F-F S4			<input type="checkbox"/>
00381	AF103600351	S/steel reduction #150 F /#100 M			<input type="checkbox"/>
00382	AF103600962	S/steel tube #100x215			<input type="checkbox"/>
00383	AF104260501	S/steel valve #150 AV06 export			<input type="checkbox"/>
00384	AF137028211	Integrated valve D/A #150x190			<input type="checkbox"/>
00385	AF156282181	Holder 240x190x265 for valve motor S4			<input type="checkbox"/>
00390	AF156283252	Enlarged distributor cover			<input type="checkbox"/>
00391	AF156283222	Enlarged elements cover 8.64			<input type="checkbox"/>
00400	AF175310192	Ramp guide 2007 98x22x770 8.63			<input type="checkbox"/>
00401	AF156264011	Lifting system (left handle) 95x33x968 S			<input type="checkbox"/>
00402	AF104017190	S/steel washer 5/12 M			<input type="checkbox"/>
00403	AF104033950	S/steel screw H M5X16			<input type="checkbox"/>
00404	AF156210091	Bushes and tube set			<input type="checkbox"/>
00405	AF156281071	Sheath flange 72x1.2x79			<input type="checkbox"/>
00406	AF156281081	Sheath sealing 50x1,5x125			<input type="checkbox"/>
00410	AF102000095	Probe PT100 2 wires 5ml 180mm #4			<input checked="" type="checkbox"/>
00411	AF105096301	Lighting seal #95/8 grey			<input checked="" type="checkbox"/>
00412	AF102036191	Contacto 125A(AC1)230V50/60LC1D80004P7			<input checked="" type="checkbox"/>
00413	AF102036202	Auxiliary contact GV2AF01			<input type="checkbox"/>
00414	AF102036557	Contacto 20A(AC1)24VDC LP4K0910BW3			<input type="checkbox"/>
00415	AF102036782	Power supply DC 120-230VAC 24VDC 2,5A			<input checked="" type="checkbox"/>
00417	AF102042001	Circuit breaker 1-1,6A GV2ME06			<input type="checkbox"/>
00417	AF102042011	Circuit breaker 1,6-2,5A GV2ME07			<input type="checkbox"/>
00418	AF105155111	Glass protection 63x133x5 for lighting			<input type="checkbox"/>
00419	AF102042111	Auxiliary contact 10+1C GVAE11			<input type="checkbox"/>
00420	AF102042631	Electrical safety shut-off MX+OF 230V			<input type="checkbox"/>
00420	AF102091491	Switch 4x125A SIEMENS 5TE2814-0			<input checked="" type="checkbox"/>
00421	AF102064581	Limit switch XCKN2118P20 IDP 1F1ORBPE			<input checked="" type="checkbox"/>
00422	AF102064591	Limit switch XCKP2119P16 PE ISO 16			<input checked="" type="checkbox"/>
00423	AF102120311	Light bulb 35W 12V halogen SUPERIA			<input checked="" type="checkbox"/>
00425	AF102187891	Relay 4RT 24VDC RXM4AB1BD			<input type="checkbox"/>
00425	AF102190971	Holder for relay 4RT RXZE2M114M			<input type="checkbox"/>
00426	AF102204641	Light transformer TE EL 20 105 VA			<input type="checkbox"/>
00427	AF151519011	Lighting frame 70x13,5x140			<input type="checkbox"/>
00428	AF105171111	Flat spring 25x25x135			<input type="checkbox"/>
00429	AF151544002	Plate f/light fixing 75x47x155			<input type="checkbox"/>
00430	AF105191381	Klixon 40°C flat flange 4903EK03010CL6M			<input checked="" type="checkbox"/>
00431	AF105191491	Safety thermostat 355°C NU bulb 4			<input checked="" type="checkbox"/>
00432	AF156211141	Mounted platform			<input type="checkbox"/>
00433	AF105910791	Elastic holder Male/Female #25 L22 M8			<input type="checkbox"/>
00444	AF156211251	Gearbox support			<input type="checkbox"/>
00448	AF156280501	Lower door hook 95x12x80			<input type="checkbox"/>
00448	AF156282581	Upper door hook			<input type="checkbox"/>
00449	AF156280921	Front hubcap 180x37x1980			<input type="checkbox"/>
00450	AF156282142	Shaft for door 8.64 #25 Lg 310			<input type="checkbox"/>
00454	AF175339201	Spacer 12x80			<input type="checkbox"/>
00455	AF175339301	Tightening flat 40x6x110			<input type="checkbox"/>
00458	AF175088921	Wiring kit solenoid valve 3x0,75x5700			<input type="checkbox"/>