

Tumble Dryer

680 Liters (35 Kilograms) Capacity

Refer to Page 3 for Model Numbers

Parts

Table of Contents

Title	Page
Parts Ordering Information.....	2
Serial Plate Location	2
Model Identification	3
Front Panel Assembly	4
Full Control Components	6
Easy Control Components With Coin Meter	8
Easy Control Coin Meter (Drawing 1 of 3)	10
Easy Control Coin Meter (Drawing 2 of 3)	12
Easy Control Coin Meter (Drawing 3 of 3)	14
Easy Control Components Without Coin Meter	16
Easy Control with External Payment System.....	18
Cabinet.....	20
Drum Assembly.....	22
Door Assembly.....	24
Electric Heat Components	26
Gas Heat Components - Models Through Serial No. 35T007384QB (Drawing 1 of 2).....	28
Gas Heat Components - Models Through Serial No. 35T007384QB (Drawing 2 of 2).....	30
Gas Heat Components - Models Starting Serial No. 35T007385QB (Drawing 1 of 2).....	32
Gas Heat Components - Models Starting Serial No. 35T007385QB (Drawing 2 of 2).....	34
Steam Heat Components.....	36
Ventilator.....	38
Exhaust	40
Drive System.....	42
Electric Box Components - Electric Models	44
Electric Box Components - Gas and Steam Models	46
Under Pressure Clutch.....	48
Humidity Sensor.....	50
Parts Index.....	53

© Copyright 2020, Alliance Laundry Systems LLC

All rights reserved. No part of the contents of this book may be reproduced or transmitted in any form or by any means without the expressed written consent of the publisher.

Parts Ordering Information

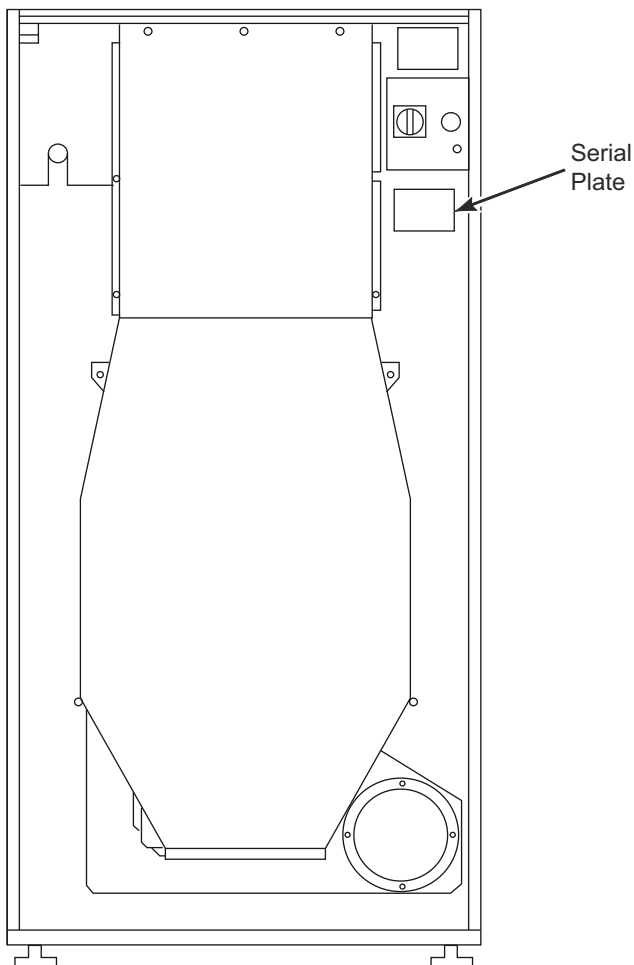
If literature or replacement parts are required, contact the source from whom the machine was purchased or contact Alliance Laundry Systems at (920) 748-3950 for the name and address of the nearest authorized parts distributor.

For technical assistance, call the number listed below:

(920) 748-3121 Ripon, Wisconsin

Serial Plate Location

When calling or writing about your product, be sure to mention model and serial numbers. Model and serial numbers are located on serial plate(s) as shown.



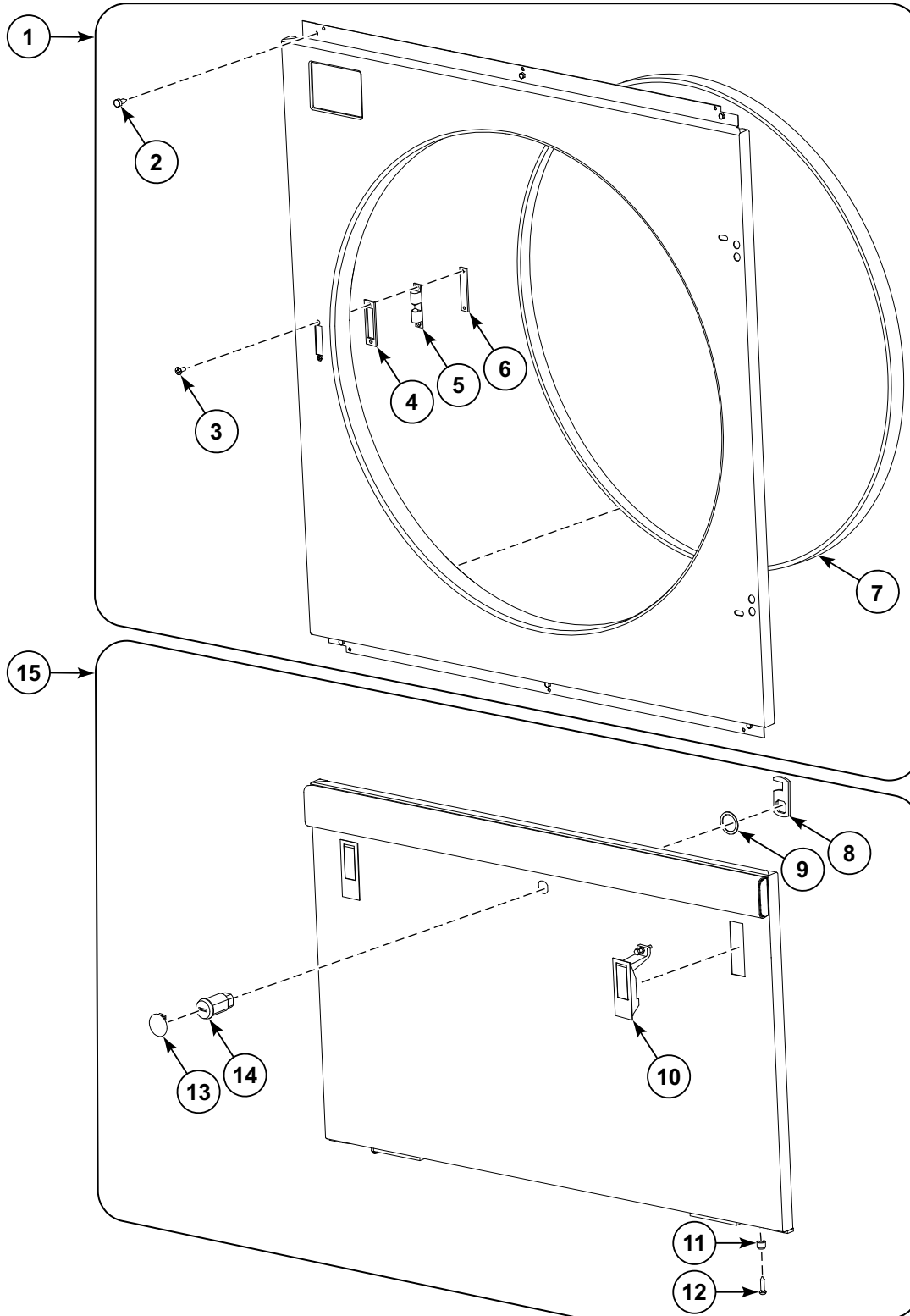
TMB2509N_D2572

Model Identification

Information in this manual is applicable to these tumbler models:

I680_EASY	IU680EE	LS680_EASY	NH680WE	PH680EE
I680_FLEX	IU680EF	LS680_FULL	NH680WF	PH680EF
IC680EE	IU680ME	LU680EE	NU680EE	PH680LE
IC680EF	IU680MF	LU680EF	NU680EF	PH680LF
IC680LE	IU680SE	LU680ME	NU680ME	PH680ME
IC680LF	IU680SF	LU680MF	NU680MF	PH680MF
IC680ME	IU680WE	LU680SE	NU680SE	PH680NE
IC680MF	IU680WF	LU680SF	NU680SF	PH680NF
IC680NE	IX680EE	LU680WE	NU680WE	PH680SE
IC680NF	IX680EF	LU680WF	NU680WF	PH680SF
IC680SE	IX680LE	LX680EE	NX680EE	PH680TE
IC680SF	IX680LF	LX680EF	NX680EF	PH680TF
IC680TE	IX680ME	LX680LE	NX680LE	PH680WE
IC680TF	IX680MF	LX680LF	NX680LF	PH680WF
IC680WE	IX680NE	LX680ME	NX680ME	PU680EE
IC680WF	IX680NF	LX680MF	NX680MF	PU680EF
IH680EE	IX680SE	LX680NE	NX680NE	PU680ME
IH680EF	IX680SF	LX680NF	NX680NF	PU680MF
IH680LE	IX680TE	LX680SE	NX680SE	PU680SE
IH680LF	IX680TF	LX680SF	NX680SF	PU680SF
IH680ME	IX680WE	LX680TE	NX680TE	PU680WE
IH680MF	IX680WF	LX680TF	NX680TF	PU680WF
IH680NE	LC680EE	LX680WE	NX680WE	PUDE680E
IH680NF	LC680EF	LX680WF	NX680WF	PUDE680F
IH680SE	LC680LE	NC680EE	PC680EE	PUDG680E
IH680SF	LC680LF	NC680EF	PC680EF	PUDG680F
IH680TE	LC680ME	NC680LE	PC680LE	PUDL680E
IH680TF	LC680MF	NC680LF	PC680LF	PUDL680F
IH680WE	LC680NE	NC680ME	PC680ME	PUDS680E
IH680WF	LC680NF	NC680MF	PC680MF	PUDS680F
IR680EE	LC680SE	NC680NE	PC680NE	PX680EE
IR680EF	LC680SF	NC680NF	PC680NF	PX680EF
IR680LE	LC680TE	NC680SE	PC680SE	PX680LE
IR680LF	LC680TF	NC680SF	PC680SF	PX680LF
IR680ME	LC680WE	NC680TE	PC680TE	PX680ME
IR680MF	LC680WF	NC680TF	PC680TF	PX680MF
IR680NE	LH680EE	NC680WE	PC680WE	PX680NE
IR680NF	LH680EF	NC680WF	PC680WF	PX680NF
IR680SE	LH680LE	NH680EE	PGDE680E	PX680SE
IR680SF	LH680LF	NH680EF	PGDE680F	PX680SF
IR680TE	LH680ME	NH680LE	PGDG680E	PX680TE
IR680TF	LH680MF	NH680LF	PGDG680F	PX680TF
IR680WE	LH680NE	NH680ME	PGDL680E	PX680WE
IR680WF	LH680NF	NH680MF	PGDL680F	PX680WF
	LH680SE	NH680NE	PGDS680E	T35_EASY
	LH680SF	NH680NF	PGDS680F	T35_FULL
	LH680TE	NH680SE		
	LH680TF	NH680SF		
	LH680WE	NH680TE		
	LH680WF	NH680TF		

Front Panel Assembly

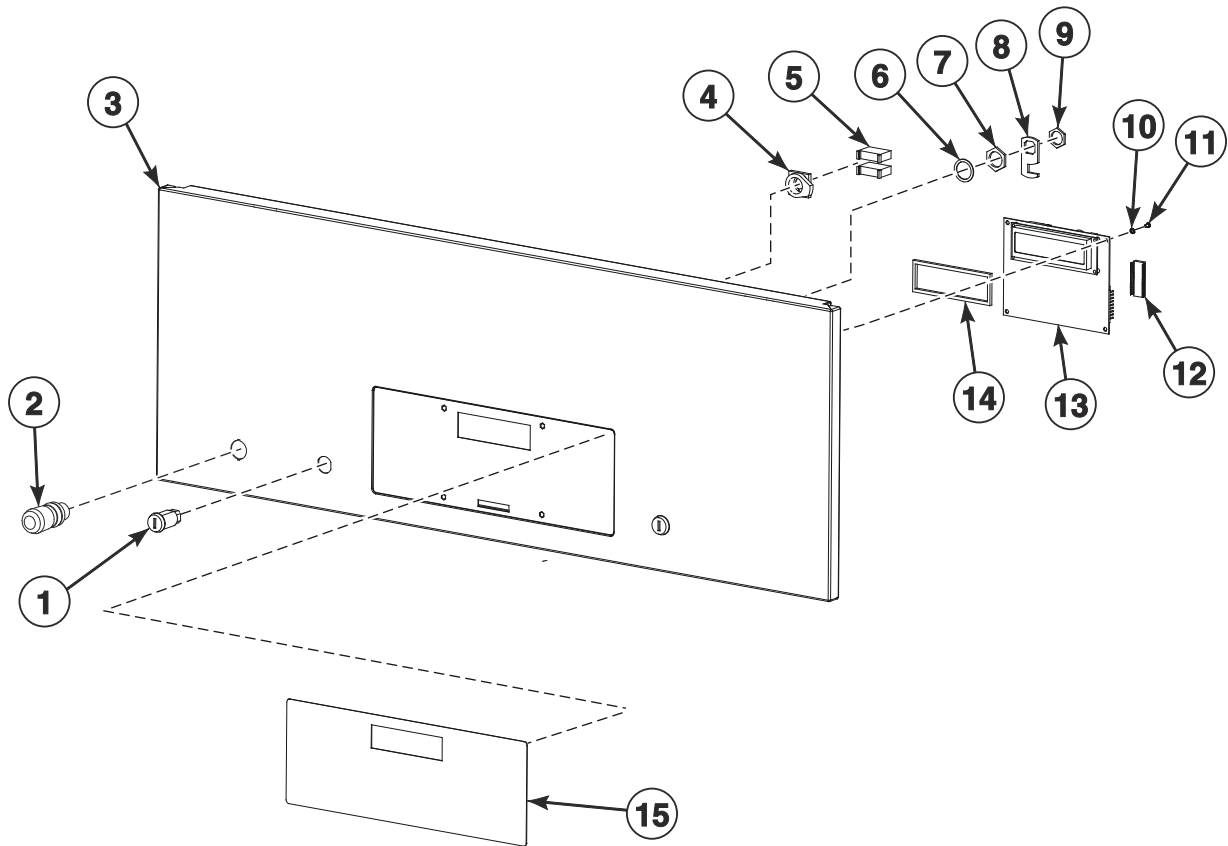


TMB3825P_D2572

Front Panel Assembly

REF	PART NO.	DESCRIPTION	COMMENTS
1	SP528972	Front Panel Assembly	Includes items 2-7; OPL; External payment system; Stainless steel
	SP528974	Front Panel Assembly	Includes items 2-7; Coin; External payment system; Right door; Stainless steel
	SP545548	Front Panel Assembly	Includes items 2-7; Coin; External payment system; Left door; Stainless steel
	528973	Front Panel Assembly	I models; Includes items 2-7; OPL; External payment system; Imitation stainless steel
	528975	Front Panel Assembly	I models; Includes items 2-7; Coin; Right door; Imitation stainless steel
	545549	Front Panel Assembly	I models; Includes items 2-7; Coin; Left door; Imitation stainless steel
	SP557169	Front Panel Assembly	L, N, P and T models; Includes items 2-7; OPL; External payment system; Gray
	SP557170	Front Panel Assembly	L, N, P and T models; Includes items 2-7; Coin; Right door; Gray
	SP557171	Front Panel Assembly	L, N, P and T models; Includes items 2-7; Coin; Left door; Gray
2	SP100218	Screw	
3	SP309966240410	Bolt	
4	SP524366	Washer	
5	SP514530	Latch	
6	SP514906	Washer	
7	519170	Sealing	4x30x2560 mm
8	SPPRI522000012	Washer	Coin
9	SPPRI610001007	Lock Hook	Coin
10	SP521221	Lock	
11	SP520407	Screw	
12	SP520408	Pin Insertion	
13	SP345900025012	Plug	OPL
14	SPPRI610000007	Lock	Coin
15	SP528967	Filter Panel Assembly	Includes items 8-14; Coin; Stainless steel
	528965	Filter Panel Assembly	I models; Includes items 8-14; OPL; Imitation stainless steel
	528968	Filter Panel Assembly	I models; Includes items 8-14; Coin; External payment system; Imitation stainless steel
	SP528964	Filter Panel Assembly	L, N, P and T models; Includes items 8-14; OPL; External payment system; Stainless steel
	SP557172	Filter Panel Assembly	L, N, P and T models; Includes items 8-14; OPL; Gray
	SP557173	Filter Panel Assembly	L, N, P and T models; Includes items 8-14; Coin; External payment system; Gray

Full Control Components

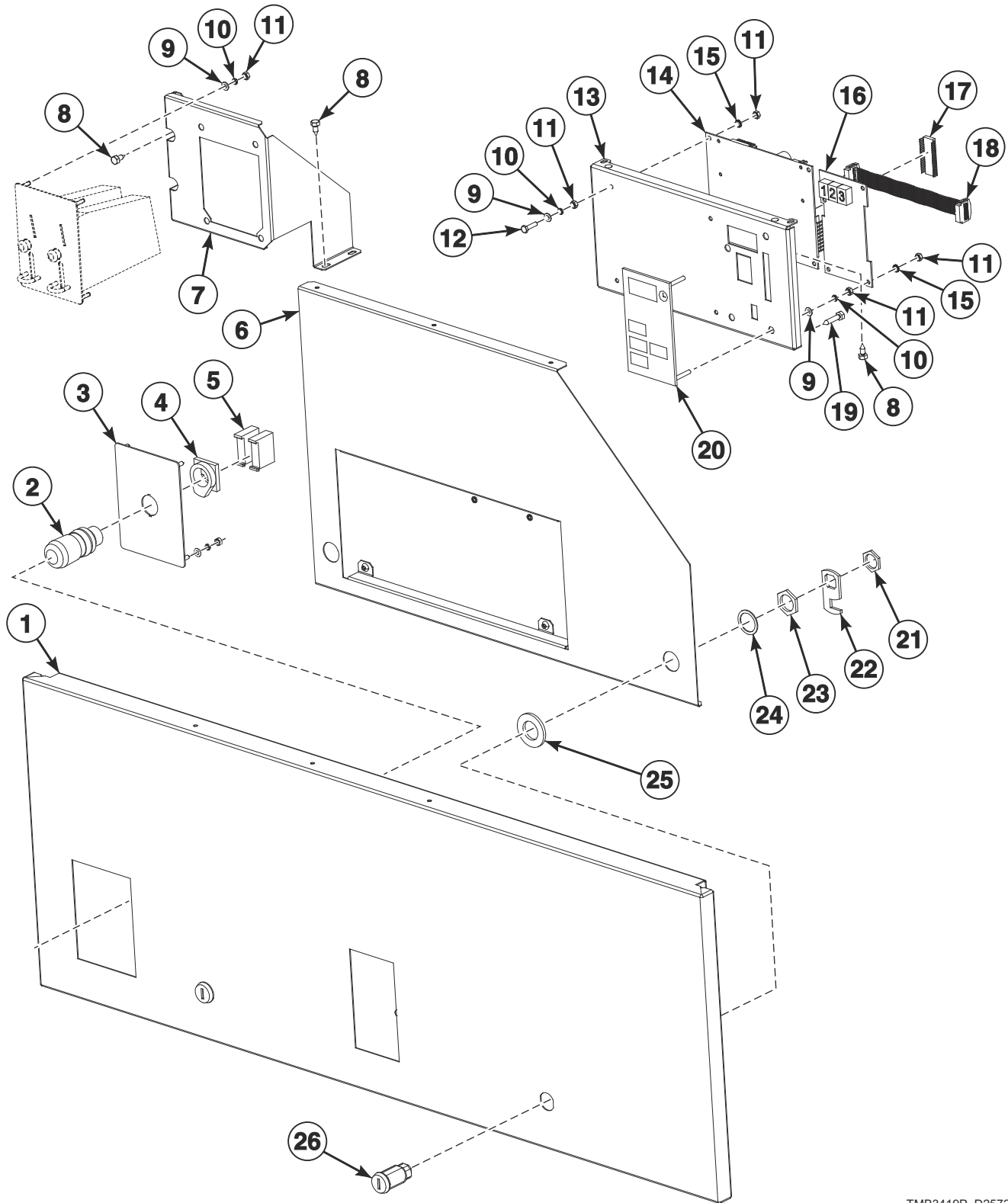


TMB3418P_D2572

Full Control Components

REF	PART NO.	DESCRIPTION	COMMENTS
	574530	Control Panel Assembly	I models; Includes items 1-15; Imitation stainless steel
	574531	Control Panel Assembly	I models; Includes items 1-15; Stainless steel
	571912	Control Panel Assembly	L and N models; Includes items 1-15; Gray; Starting January 1, 2020
	571931	Control Panel Assembly	L and N models; Includes items 1-15; Stainless steel; Starting January 1, 2020
	SP561152	Control Panel Assembly	P and T models; Includes items 1-15; Gray
	SP561180	Control Panel Assembly	P and T models; Includes items 1-15; Stainless steel
1	SP528310	Emergency Stop Knob	
2	SPPRI610000007	Lock	
3	574532	Control Panel	I models; Imitation stainless steel
	SP561147	Control Panel	L, N, P and T models; Gray
	SP561181	Control Panel	Stainless steel
4	SP528311	Emergency Stop Connector	
5	SP528312	Switching Unit	
6	SPPRI522000012	Washer	
7	SPPRI610005007	Nut	
8	SPPRI100010007	Hook	
9	SPPRI610006007	Nut	
10	SP311679800003	Washer	
11	SP309798500306	Bolt	
12	SP526001	Memory	Empty without software version
	102471	Memory	Includes SP526001 Memory and EN, CZ, DE, FR, NL, ES, IT, DK, NO software language version
	102472	Memory	Includes SP526001 Memory and EN, CZ, RU, SL, HR, HU, PL, BG, RO, TR language version
13	SP102457	Control Board	Through Serial No. 35T005510DS
	SP556608	Control Board	Starting Serial No. 35T005511DS
14	SP101275	Gasket	
15	SP559864	Overlay	I, L and N models; Starting January 1, 2020
	SP556100	Overlay	P and T models

Easy Control Components With Coin Meter

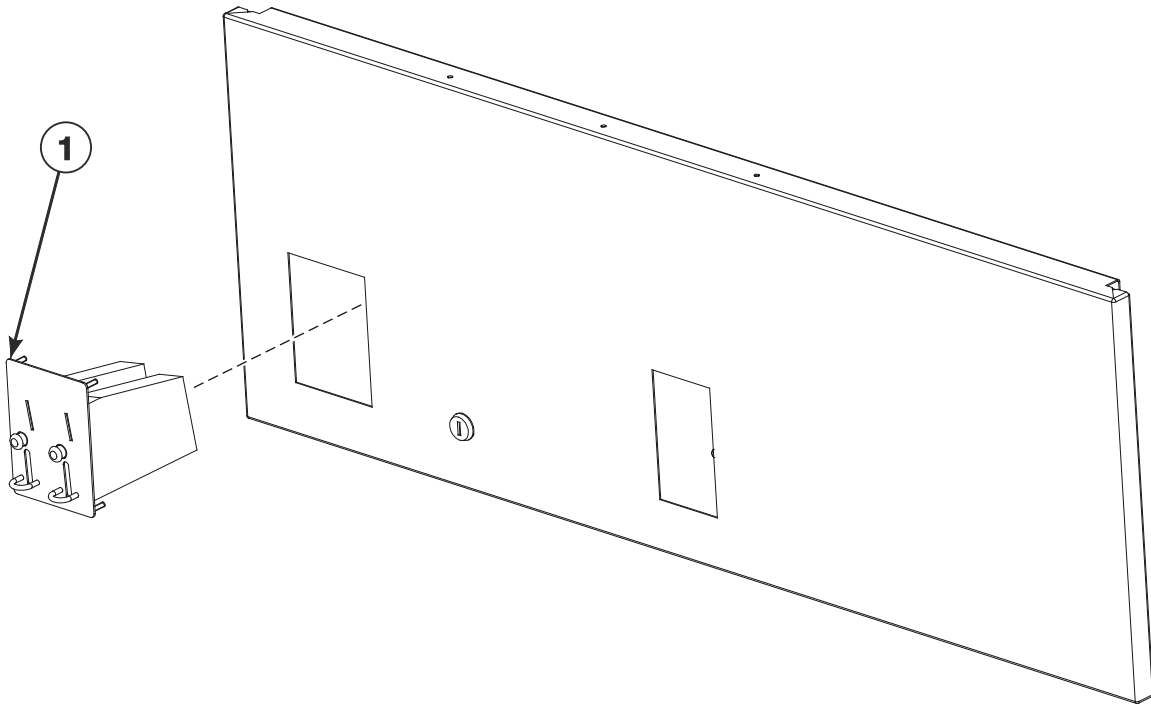


TMB3419P_D2572

Easy Control Components With Coin Meter

REF	PART NO.	DESCRIPTION	COMMENTS
	574525	Control Panel Assembly	I models; Includes items 1-26; Imitation stainless steel
	574528	Control Panel Assembly	I models; Includes items 1-26; Stainless steel
	574535	Control Panel Assembly	L and N models; Includes items 1-26; Gray; Starting January 1, 2020
	574536	Control Panel Assembly	L and N models; Includes items 1-26; Stainless steel; Starting January 1, 2020
	SP561149	Control Panel Assembly	P models; Includes items 1-26; Gray
	SP561183	Control Panel Assembly	P models; Includes items 1-26; Stainless steel
	SP557975	Extend Coin Wiring	
1	SP557167	Control Panel	Gray
	SP561162	Control Panel	Stainless steel
	574522	Control Panel	I models; Imitation stainless steel
2	SP528310	Emergency Stop Knob	
3	SP562956	Label	
4	SP528311	Emergency Stop Connector	
5	SP528312	Switching Unit	
6	SP561153	Control Bracket	
7	SP561154	Coin Meter Bracket	
8	SP100218	Screw	
9	SP311125000004	Washer	
10	SP311127000004	Washer	
11	SP310934000004	Nut	
12	SP309933000416	Bolt	
13	SP559819	Control Bracket	
14	SP102458	Control	
15	SP311679800004	Washer	
16	SP553416	Display Board	Blue
	SP560706	Display Board	I models; Red
17	SP526001	Memory	Empty without software version
	102460	Memory	Includes SP526001 Memory and software
	545264	Memory	Includes SP526001 Memory and software, export France
18	SP521061	Cable	
19	SP100306	Screw	
20	SP556099	Overlay	P and T models
	SP559900	Overlay	I models
	SP559871	Overlay	L and N models; Starting Serial No. starting January 1, 2020
21	SPPRI610006007	Nut	
22	SPPRI610001007	Lock Hook	
23	SPPRI610005007	Nut	
24	SPPRI522000012	Washer	
25	SP311125000020	Washer	
26	SPPRI610000007	Lock	

Easy Control Coin Meter (Drawing 1 of 3)

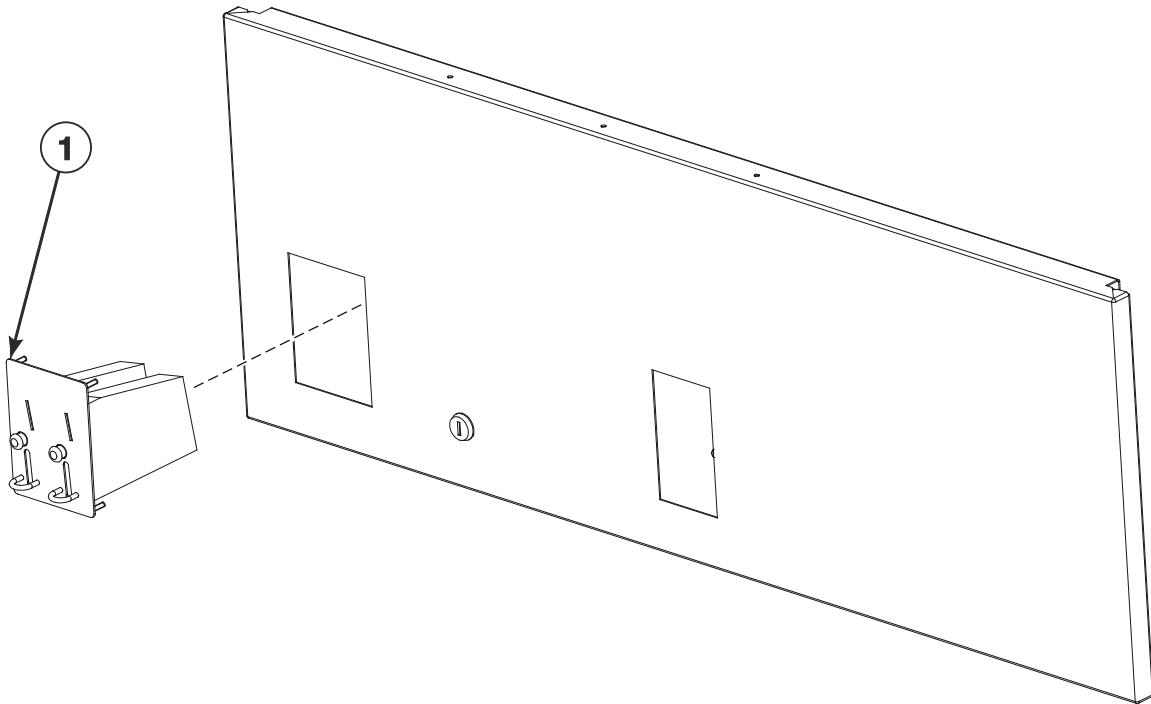


TMB3420P_D2572

Easy Control Coin Meter (Drawing 1 of 3)

REF	PART NO.	DESCRIPTION	COMMENTS
1	SP100642	Coin Meter	1AUD + 20C
	SP100866	Coin Meter	5K jeton
	SP100867	Coin Meter	7K jeton
	SP100868	Coin Meter	10K jeton
	SP100869	Coin Meter	12K jeton
	SP100870	Coin Meter	15K jeton
	SP100871	Coin Meter	D jeton
	SP100887	Coin Meter	1pound + 20PC
	SP100888	Coin Meter	1pound + 50PC
	SP100891	Coin Meter	100YEN
	SP100892	Coin Meter	500YEN + 100YEN
	SP100895	Coin Meter	5DKK
	SP100896	Coin Meter	20DKK
	SP100900	Coin Meter	5ILS + 1ILS
	SP100902	Coin Meter	1EUR
	SP101228	Coin Meter	1 MYR
	SP101535	Coin Meter	0.50EUR
	SP101536	Coin Meter	0.50EUR + 1EUR
	SP101797	Coin Meter	1DKK + 5DKK
	SP101612	Coin Meter	10NOK + 20NOK
	SP101450	Coin Meter	2DKK + 5DKK
	SP101499	Coin Meter	5NOK
	SP101293	Coin Meter	Jeton Blanco
	SP101632	Coin Meter	0.20EUR + 0.50EUR
	SP101586	Coin Meter	1NZD + 2NZD
	SP101155	Coin Meter	10NOK
	SP102084	Coin Meter	10NT + 50NT (dolar)
	SP516639	Coin Meter	2DKK
	SP516638	Coin Meter	Lucky Winner jeton
	SP102473	Coin Meter	10 Taiwan dollar
	SP516636	Coin Meter	10CZK + 20CZK
	SP516804	Coin Meter	7K Equipos Par Lavar jeton
	SP516737	Coin Meter	1EUR + 2EUR
	569923	Coin Meter	EMP 500.12 EUR+GBP
	SP516807	Coin Meter	F10.3-W2000-19,2, Groove jeton, jeton diameter 24.8 mm
	SP100898	Coin Meter	500WON
	SP101437	Coin Meter	0.25USD
	SP516875	Coin Meter	1AUD + 2AUD
	SP102371	Coin Meter	5DKK + 10DKK
	SP102407	Coin Meter	0.2EUR
	SP102452	Coin Meter	1EUR + 0.2 EUR
	SP102546	Coin Meter	SUN WASH jeton
	SP516632	Coin Meter	2DKK + 10DKK
	SP516921	Coin Meter	Unibel Tech 5K jeton
	SP100893	Coin Meter	1AUD
	SP516950	Coin Meter	1CHF
	SP516967	Coin Meter	5 NOK +10NOK
	SP516969	Coin Meter	1 TopMos jeton + 1BGN
	SP516977	Coin Meter	1 Vendo jeton
	SP516980	Coin Meter	2EUR
	SP516984	Coin Meter	0.05EUR
	SP516991	Coin Meter	1 jeton Token

Easy Control Coin Meter (Drawing 2 of 3)

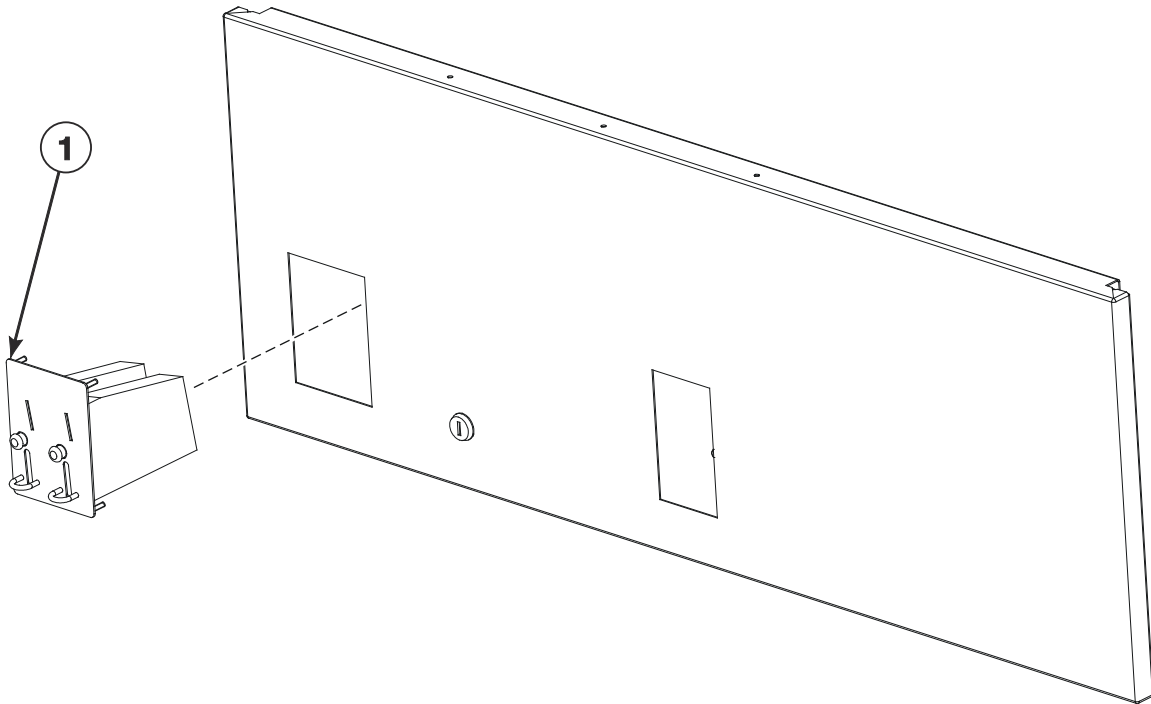


TMB3420P_D2572

Easy Control Coin Meter (Drawing 2 of 3)

REF	PART NO.	DESCRIPTION	COMMENTS
1	SP516992	Coin Meter	EMP 500.12v4, Moroccan currency
	SP516994	Coin Meter	20 pence
	SP516999	Coin Meter	Jetons 7K + D
	SP529106	Coin Meter	1 Wascator jeton diamater 22.2 mm
	SP529108	Coin Meter	1 Unibel jeton diamater 18.55 mm
	SP529114	Coin Meter	2EUR + 0.50EUR
	SP529115	Coin Meter	50HUF + 100HUF
	SP529119	Coin Meter	1 jeton, without coining, jeton diamater 20 mm
	SP529124	Coin Meter	1 Volund jeton, jeton diamater 22.5 mm
	SP534187	Coin Meter	1 Wascator jeton diamater 19 mm
	SP529113	Coin Meter	1 Miele jeton
	SP529110	Coin Meter	1 jeton without coining, jeton diamater 26 mm
	SP534289	Coin Meter	Three-groove jeton, jeton diamater 27 mm
	SP534297	Coin Meter	Three-groove jeton, jeton diamater 25 mm
	SP537775	Coin Meter	Jeton D + 2EUR
	SP537776	Coin Meter	Jeton 7K + 2EUR
	SP537778	Coin Meter	Jeton Milano Italy
	SP537779	Coin Meter	5PLN + 1 PLN
	SP537787	Coin Meter	Two-groove jeton, jeton diamater 27 mm
	SP537788	Coin Meter	A.S.A.R.D. jeton, jeton diamater 25.8 mm
	SP537825	Coin Meter	20CZK
	SP537828	Coin Meter	Jeton Electrolux ASARD, jeton diamater 22.3 mm
	SP537859	Coin Meter	Jeton Laundromatic Belgium, jeton diamater 22.3 mm
	SP537829	Coin Meter	Two-groove jeton Carsen, jeton diamater 22 mm
	SP537913	Coin Meter	Jeton Asard Wascator, jeton diamater 19.9 mm
	SP552901	Coin Meter	Eagle jeton, jeton diamater 25.98 mm
	SP552951	Coin Meter	1SGD
	SP552952	Coin Meter	200HUF
	SP552998	Coin Meter	1TRY
	SP553007	Coin Meter	0.5 MYR
	SP553008	Coin Meter	Butzi wash jeton
	SP556109	Coin Meter	1SGD (new Singapore dollar)
	SP556113	Coin Meter	Flash wash jeton
	SP556114	Coin Meter	2PLN
	SP556116	Coin Meter	EMP500.12 v5 (new/old Singapore dollar)
	SP555667	Coin Meter	50 + 50, Malaysian cents
	SP556153	Coin Meter	Symbol M jeton, jeton ROMAC
	569935	Coin Meter	EMP500.12v5, Euro+Token gettone
	SP559709	Coin Meter	1 NOK + 5 NOK
	SP560743	Coin Meter	EMP500.12v7 for CZK+jeton 7K
	SP560746	Coin Meter	Dobi Ekspress jeton
	SP560095	Coin Meter	5k IPSO jeton
	SP560096	Coin Meter	7k IPSO jeton
	SP560097	Coin Meter	10k IPSO jeton
	SP560098	Coin Meter	12k IPSO jeton
	SP560099	Coin Meter	15k IPSO jeton
	SP561379	Coin Meter	10 Morrocan Dirham
	SP560793	Coin Meter	AAW Lav-o-seul jeton
	SP564823	Coin Meter	EMP500.12v5 for new SGD + new MYR + teach mode
	SP553140	Coin Meter	20 CZK + 50 CZK

Easy Control Coin Meter (Drawing 3 of 3)

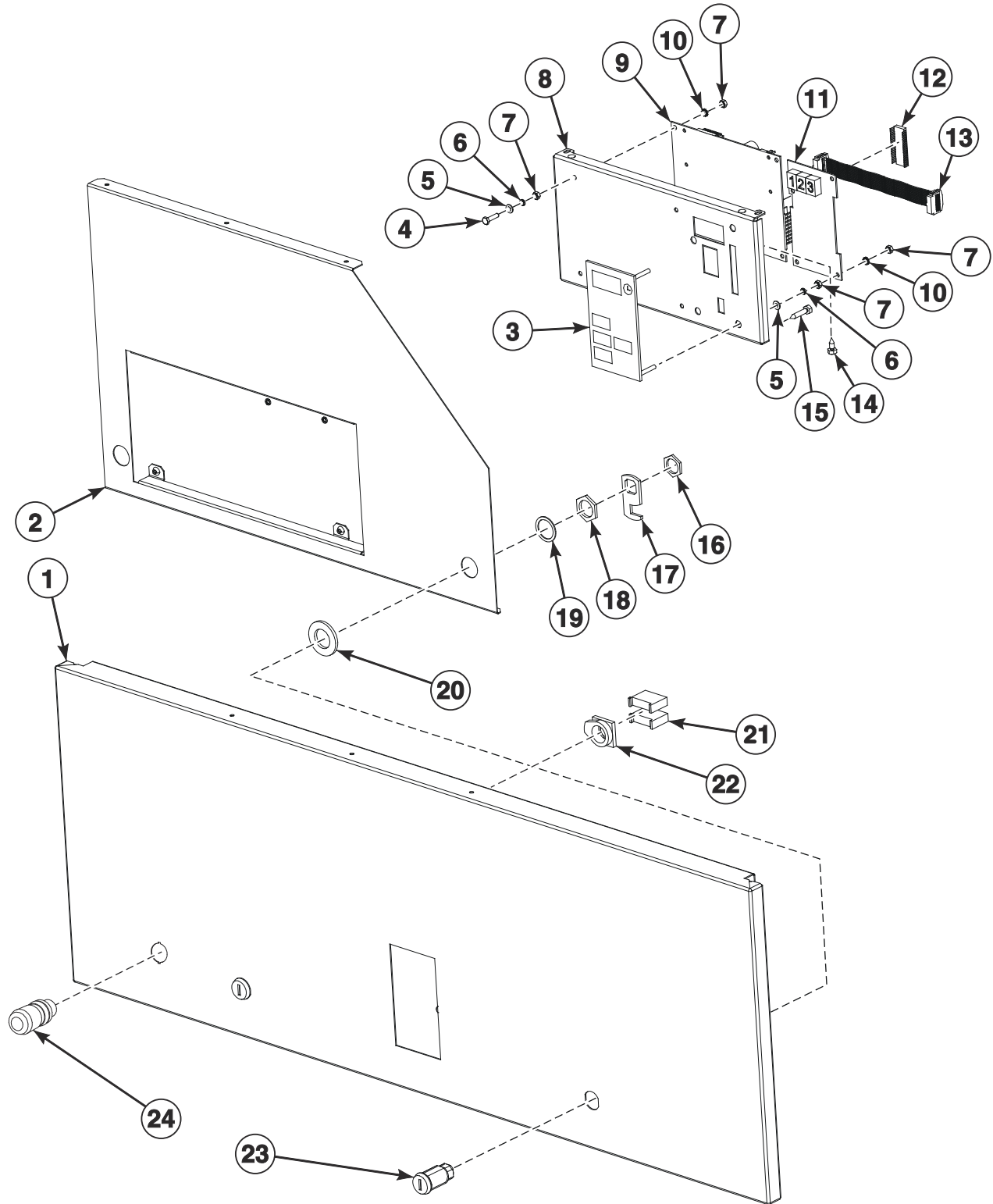


TMB3420P_D2572

Easy Control Coin Meter (Drawing 3 of 3)

REF	PART NO.	DESCRIPTION	COMMENTS
1	572337	Coin Meter	Getton Jeton (26mm diameter x 1.7mm)
	572338	Coin Meter	Getton Jeton (26mm diameter x 1.7mm)
	572340	Coin Meter	Getton Jeton (26mm diameter x 1.7mm)
	572319	Coin Meter	10TWD, 50TWD
	572309	Coin Meter	1ZAR, 2ZAR, 5ZAR
	572312	Coin Meter	5RUB, 10RUB
	572315	Coin Meter	50CLP, 100CLP, 500CLP
	572322	Coin Meter	0.5GEL, 1GEL, 2GEL
	572306	Coin Meter	1ILS, 2ILS, 5ILS, 10ILS
	572325	Coin Meter	0.2EUR, 0.5EUR, 1EUR, 2EUR
	572328	Coin Meter	20HUF, 50HUF, 100HUF, 200HUF
	572303	Coin Meter	Jeton 118-16
	572344	Coin Meter	TOKEN WH121
	572360	Coin Meter	1THB, 2THB, 5THB, 10THB/TK1+2; Electronic EMPv7
	572385	Coin Meter	0.2CHF, 0.5CHF, 1CHF, 2CHF/TK1+2; Electronic EMPv7

Easy Control Components Without Coin Meter

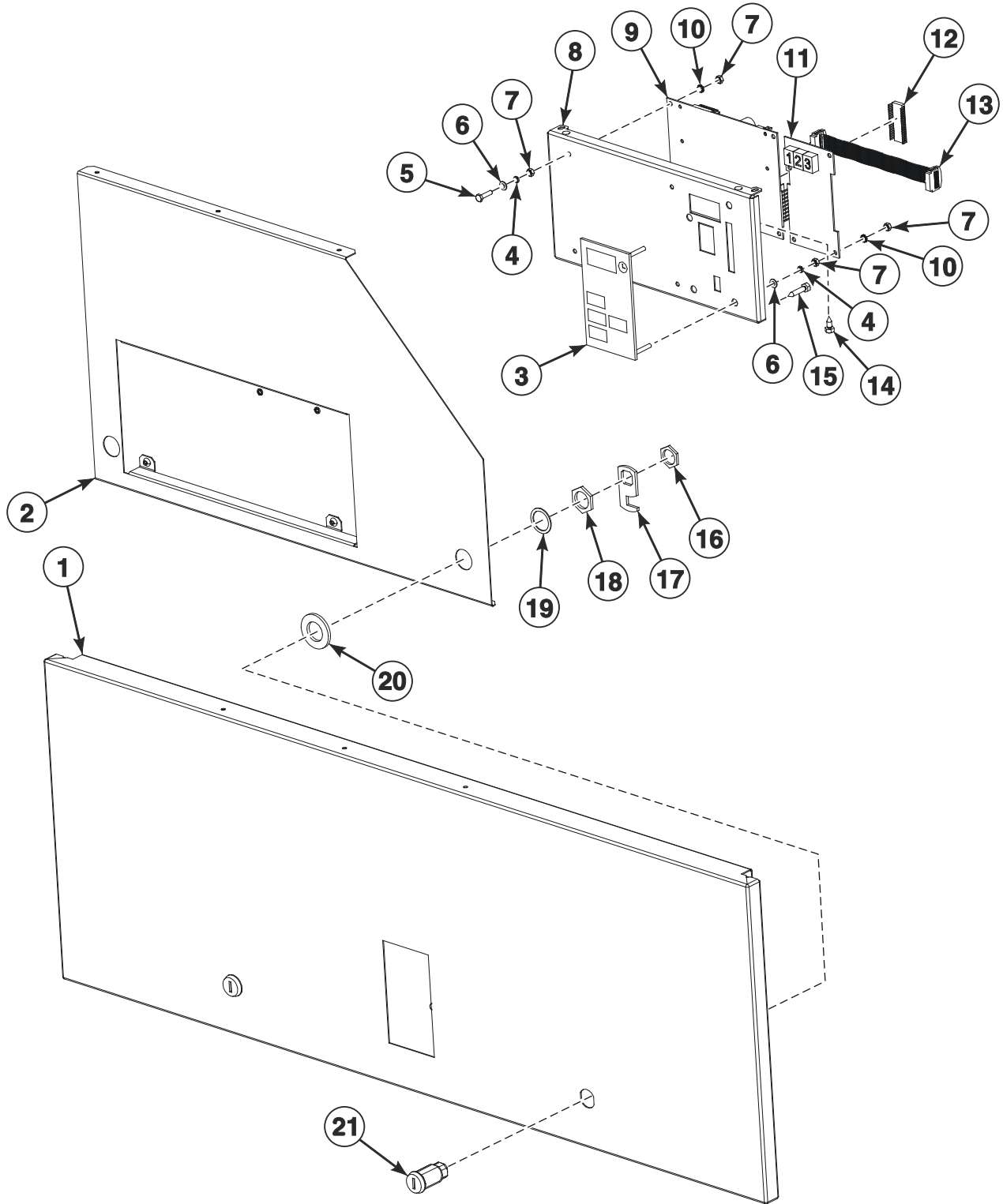


TMB3421P_D2572

Easy Control Components Without Coin Meter

REF	PART NO.	DESCRIPTION	COMMENTS
	574524	Control Panel Assembly	I models; Includes items 1-24; Imitation stainless steel
	574527	Control Panel Assembly	I models; Includes items 1-24; Stainless steel
	571905	Control Panel Assembly	L and N models; Includes items 1-24; Gray; Starting January 1, 2020
	571932	Control Panel Assembly	L and N models; Includes items 1-24; Stainless steel; Starting January 1, 2020
	SP561148	Control Panel Assembly	P and T models; Includes items 1-24; Gray
	SP561182	Control Panel Assembly	P and T models; Includes items 1-24; Stainless steel
1	SP557177	Control Panel	Gray
	SP561161	Control Panel	Stainless steel
	574521	Control Panel	I models; Imitation stainless steel
2	SP561153	Control Bracket	
3	SP559900	Overlay	I models
	SP559871	Overlay	L and N models; Starting Serial No. starting January1, 2020
	SP556099	Overlay	P and T models
4	SP309933000416	Bolt	
5	SP311125000004	Washer	
6	SP311127000004	Washer	
7	SP310934000004	Nut	
8	SP559819	Control Bracket	
9	SP102458	Control	
10	SP311679800004	Washer	
11	SP553416	Display Board	
	SP560706	Display Board	I models; Red
12	SP526001	Memory	Empty without software version
	102460	Memory	Includes SP526001 Memory and software
	545264	Memory	Includes SP526001 Memory and software, export France
13	SP521061	Cable	
14	SP100218	Screw	
15	SP100306	Screw	
16	SPPRI610006007	Nut	
17	SPPRI610001007	Lock Hook	
18	SPPRI610005007	Nut	
19	SPPRI522000012	Washer	
20	SP311125000020	Washer	
21	SP528312	Switching Unit	
22	SP528311	Emergency Stop Connector	
23	SPPRI610000007	Lock	
24	SP528310	Emergency Stop Knob	

Easy Control with External Payment System

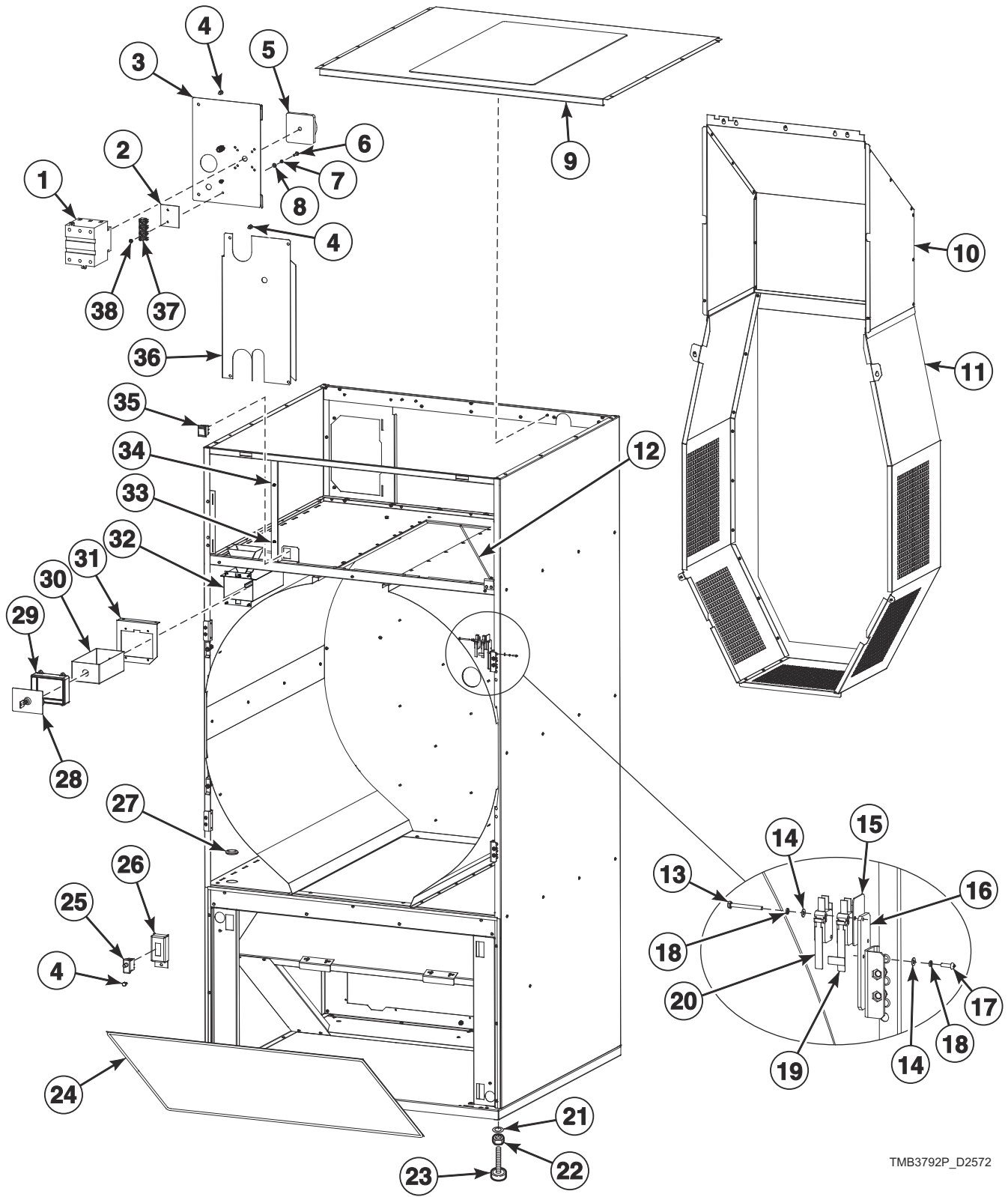


TMB3375P_D2572

Easy Control with External Payment System

REF	PART NO.	DESCRIPTION	COMMENTS
	574526	Control Panel Assembly	I models; Includes items 1-21; Imitation stainless steel
	574529	Control Panel Assembly	I models; Includes items 1-21; Stainless steel
	574537	Control Panel Assembly	L and N models; Includes items 1-21; Gray; Starting January 1, 2020
	574538	Control Panel Assembly	L and N models; Includes items 1-21; Stainless steel; Starting January 1, 2020
	SP561184	Control Panel Assembly	P and T models; Includes items 1-21; Stainless steel
	SP561151	Control Panel Assembly	P and T models; Includes items 1-21; Gray
1	SP561155	Control Panel	Gray
	SP561163	Control Panel	Stainless steel
	574523	Control Panel	I models; Imitation stainless steel
2	SP561153	Control Bracket	
3	SP556099	Overlay	P and T models
	SP559900	Overlay	I models
	SP559871	Overlay	L and N models; Starting Serial No. starting January1, 2020
4	SP311127000004	Washer	
5	SP309933000416	Bolt	
6	SP311125000004	Washer	
7	SP310934000004	Nut	
8	SP559819	Control Bracket	
9	SP102458	Control	
10	SP311679800004	Washer	
11	SP553416	Display Board	
	SP560706	Display Board	I models; Red
12	SP526001	Memory	Empty without software version
	102460	Memory	Includes SP526001 Memory and software
	545264	Memory	Includes SP526001 Memory and software, export France
13	SP521061	Cable	
14	SP100218	Screw	
15	SP100306	Screw	
16	SPPRI610006007	Nut	
17	SPPRI610001007	Lock Hook	
18	SPPRI610005007	Nut	
19	SPPRI522000012	Washer	
20	SP311125000020	Washer	
21	SPPRI610000007	Lock	

Cabinet

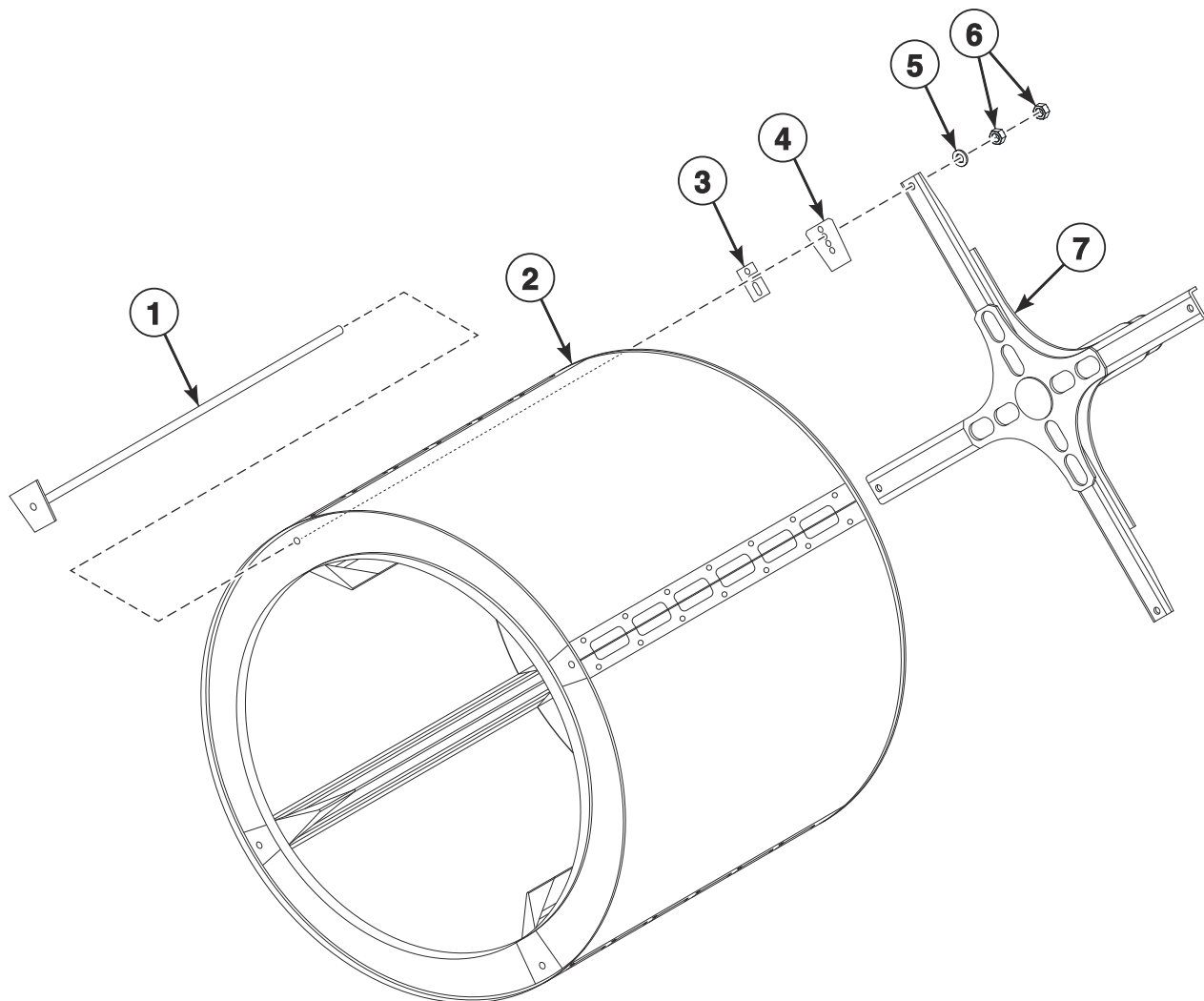


TMB3792P_D2572

Cabinet

REF	PART NO.	DESCRIPTION	COMMENTS
	SP522023	Coin Vault Assembly	Includes items 25-27, 29 and 30
	SP520404	Door Switch Assembly	Includes items 13-20
1	SPPRI404000097	Main Switch	Gas and steam models
	SPPRI404000099	Main Switch	Electric models; 30 kW 380-415V or 400V; 36 kW 380-415V or 400V
	SPPRI404000100	Main Switch	Electric models; 48 kW 380-415V or 440V
	SP347700100753	Main Switch	Electric models; 30 kW or 36 kW 208-240V
	SP506407	Main Switch	Gas models; 3ph; Neutral; 380-415V; Fourth pole
2	SPPRI350012007	Isolation Paper	
3	SP520561	Door Switch	Electric models
	SP521104	Door Switch	Gas and steam models
4	SP100218	Screw	
5	SPPRI404000095	Main Switch Knob	
6	SP309933000416	Bolt	
7	SP311127000004	Washer	
8	SP311125000004	Washer	
9	SP520563	Upper Cover	
10	SP520560	Upper Rear Cover Assembly	
11	SP520553	Rear Cover Assembly	
12	SP517486	Rod	
13	SP516693	Bolt	
14	SP311125000003	Washer	
15	SP101154	Isolation Plate	
16	SP520403	Door Switch Holder	
17	SP518719	Bolt	
18	SP311127000003	Washer	
19	SP517484	Microswitch	
20	SPPRI610011077	Microswitch	
21	SP311125000010	Washer	
22	SP310934000010	Nut	
23	SPPRI504000001	Adjustable Foot	
24	SP534810	Filter Assembly	
25	SP506045	Microswitch	
26	SP521028	Switch Bracket	
27	SPPRI501000071	Cable Bushing	
28	SP515291	Coin Vault Cover	
29	SP501514	Coin Vault Frame	
30	SP321848140028	Coin Vault	
31	SP514821	Coin Vault Support	
32	SP522022	Coin Vault Case	
33	SP561193	Cable Holder	
34	SP528313	Cable Holder	
35	SP100388	Switch	
36	SP521036	Upper Rear Cover	Electric models
	SP521132	Upper Rear Cover	Gas models
	SP521035	Upper Rear Cover	Steam models
37	SPPRI350000007	Terminal Board	
38	SP310934000004	Nut	

Drum Assembly

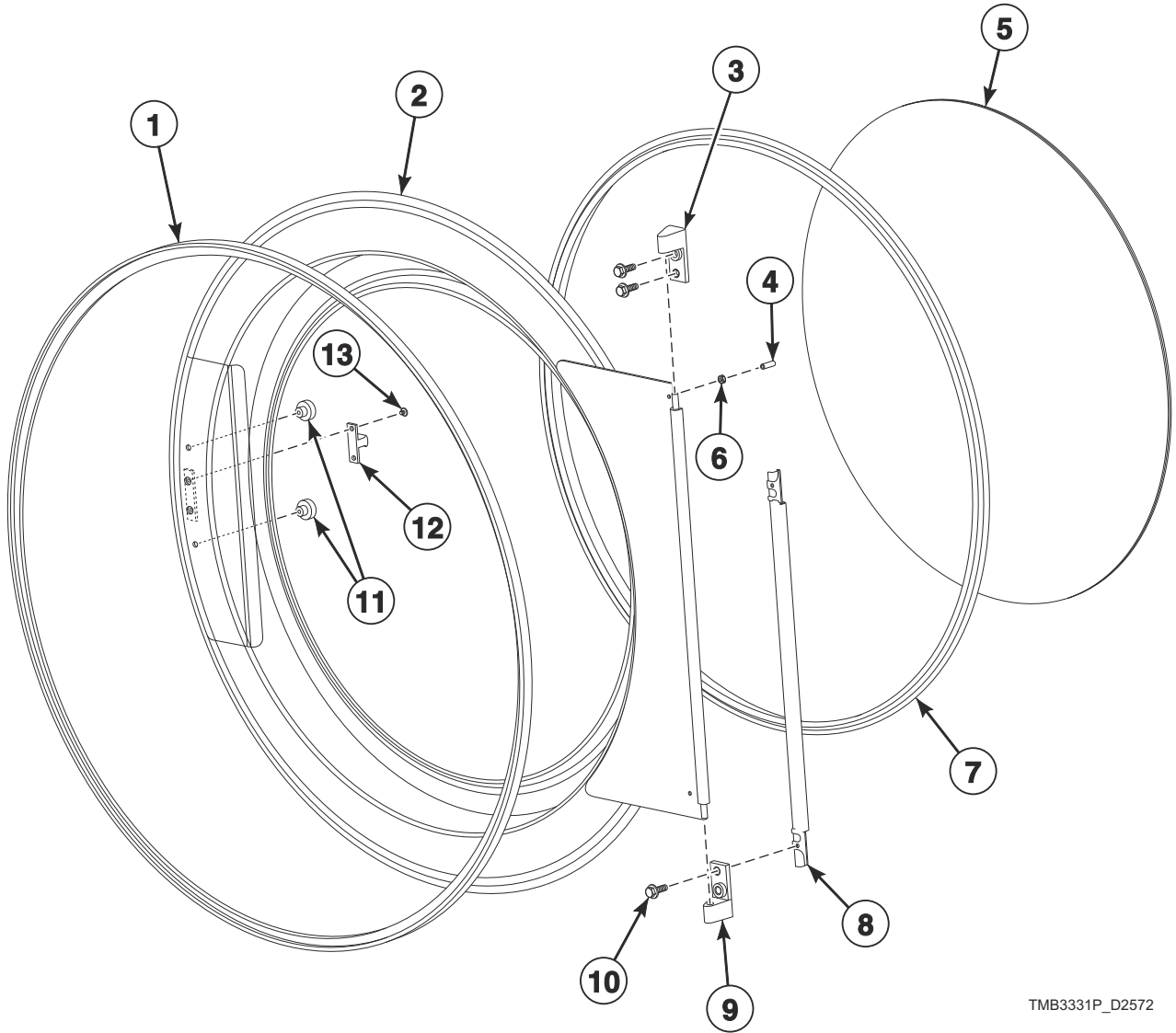


CZT10P_D2572

Drum Assembly

REF	PART NO.	DESCRIPTION	COMMENTS
	SP520530	Drum Assembly	Includes items 1-7
1	SP527892	Bolt	
2	SP520531	Drum	
3	SP518505	Front Seal	
4	SP527896	Washer	
5	SP311125000013	Washer	
6	SP310934240012	Nut	
7	SP525068	Trunnion	

Door Assembly



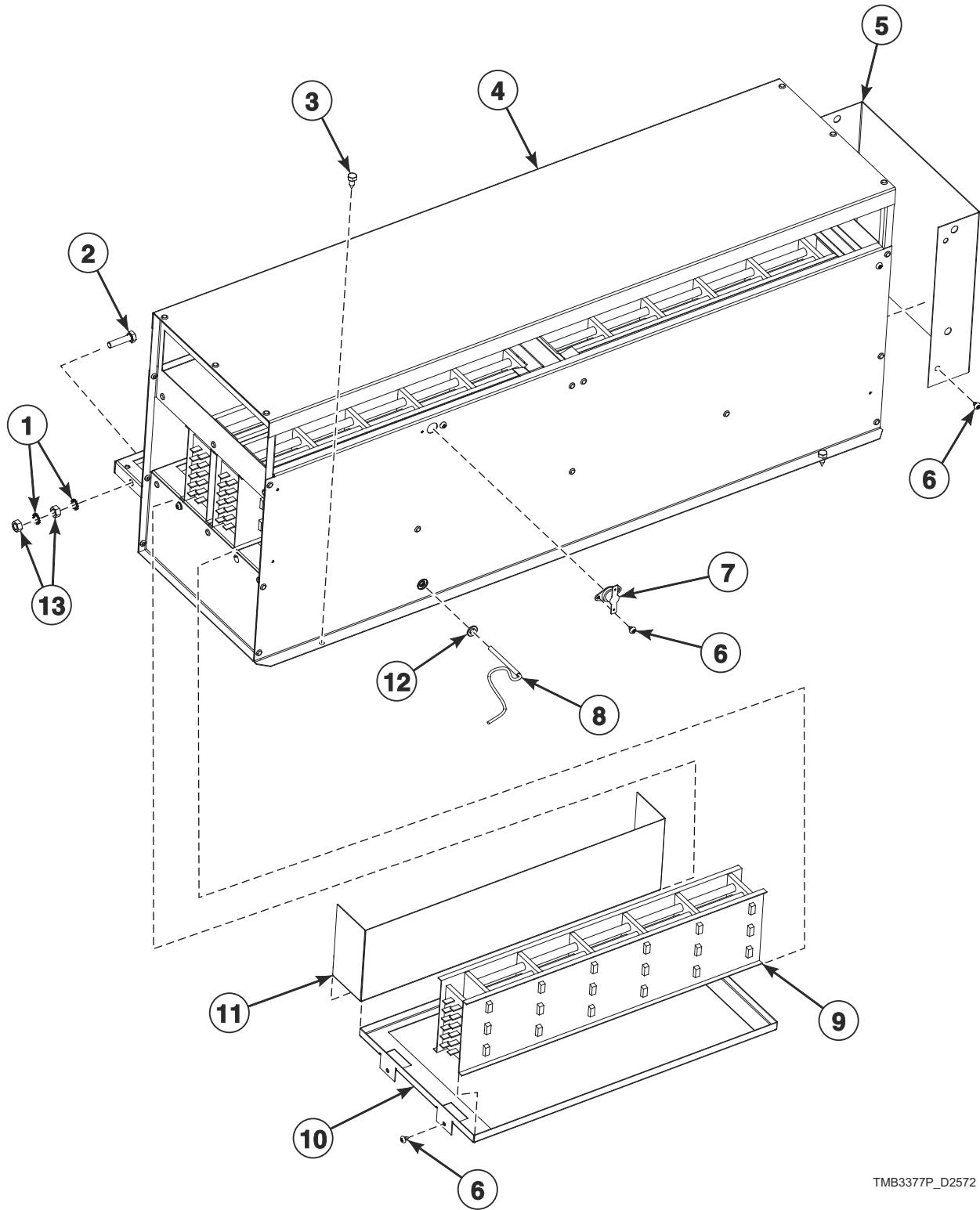
TMB3331P_D2572

Door Assembly

REF	PART NO.	DESCRIPTION	COMMENTS
	SP534969	Glue	Use with item 5
	SP245704003021	Adhesive	Use with item 4
	SP524360	Door Assembly	Black; Includes items 1-13
	SP556563	Door Assembly	Gray; Includes items 1-13; Through Serial No. 24T009534MQ
	572347	Door Assembly	Gray; Includes items 1-13; Starting Serial No. 35T007231MQ
1	SP534874	Door Ring	
2	SP524365	Door	Black
	SP556562	Door	Silver
3	SP534746	Upper Door Hinge	
4	SP520201	Stop Pin	
5	SP512052	Door Glass	
6	SP310934240004	Nut	
7	SP525107	Outer Door Gasket	
8	SP534749	Lath	
9	SP534747	Lower Door Hinge	
10	SP525101	Bolt	
11	SP556557	Magnet	
12	SP514530	Latch	
13	SP524367	Bolt	

Electric Heat Components

Electric Models



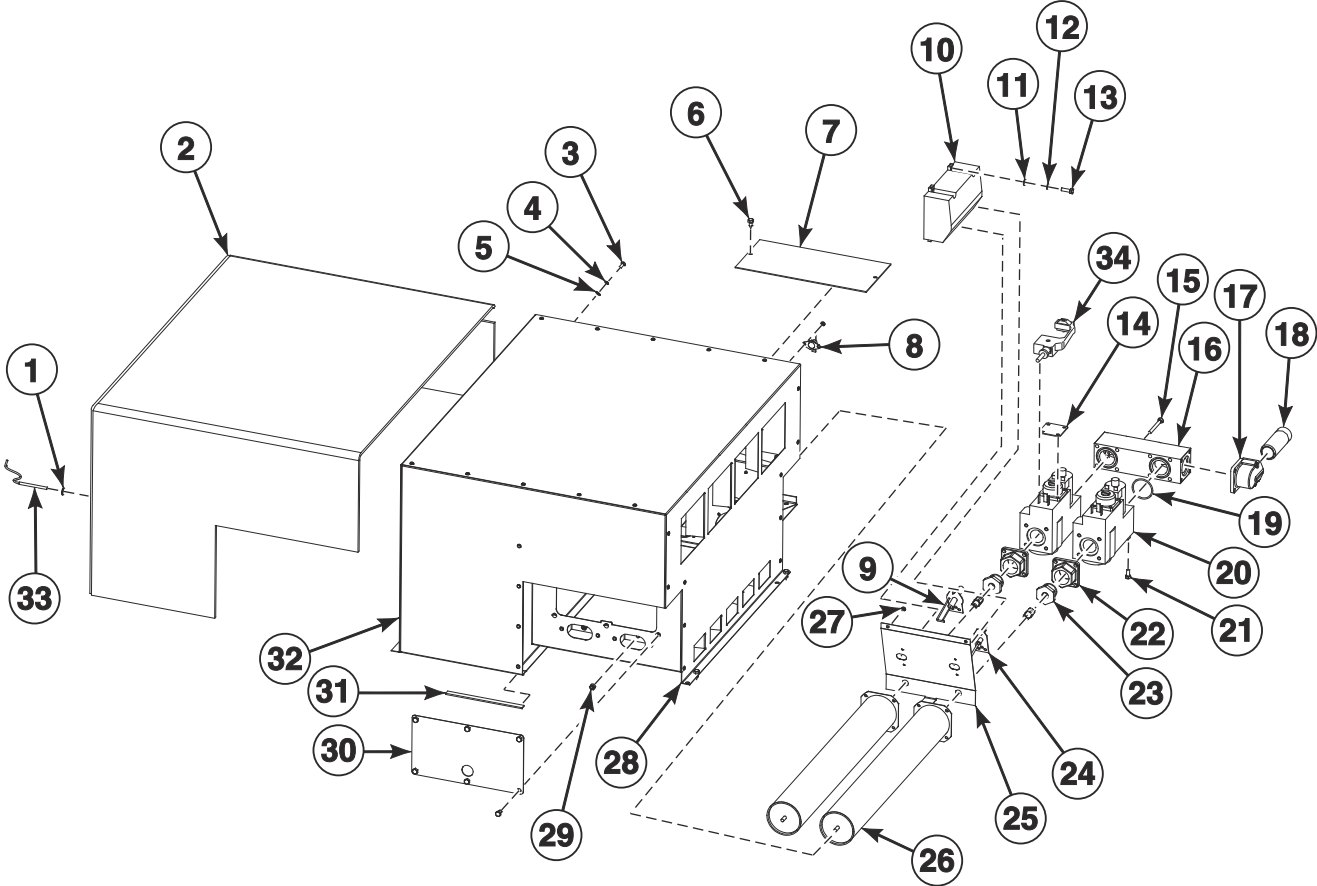
TMB3377P_D2572

Electric Heat Components

REF	PART NO.	DESCRIPTION	COMMENTS
1	SP311679824006	Washer	
2	SP309933100625	Bolt	
3	SP100218	Screw	
4	SP520290	Electric Heater Box	
5	SP521331	Cover	
6	SP517238	Screw	
7	SP514127	Safety Thermostat	
8	SP516092	Temperature Sensor	
9	SP510984	Heating Element	6 kW
	SP510985	Heating Element	4.5 kW
10	SP520298	Holder	
11	SP520297	Plug	
12	SP516669	Washer	
13	SP310934100006	Nut	

Gas Heat Components - Models Through Serial No. 35T007384QB (Drawing 1 of 2)

Gas Models



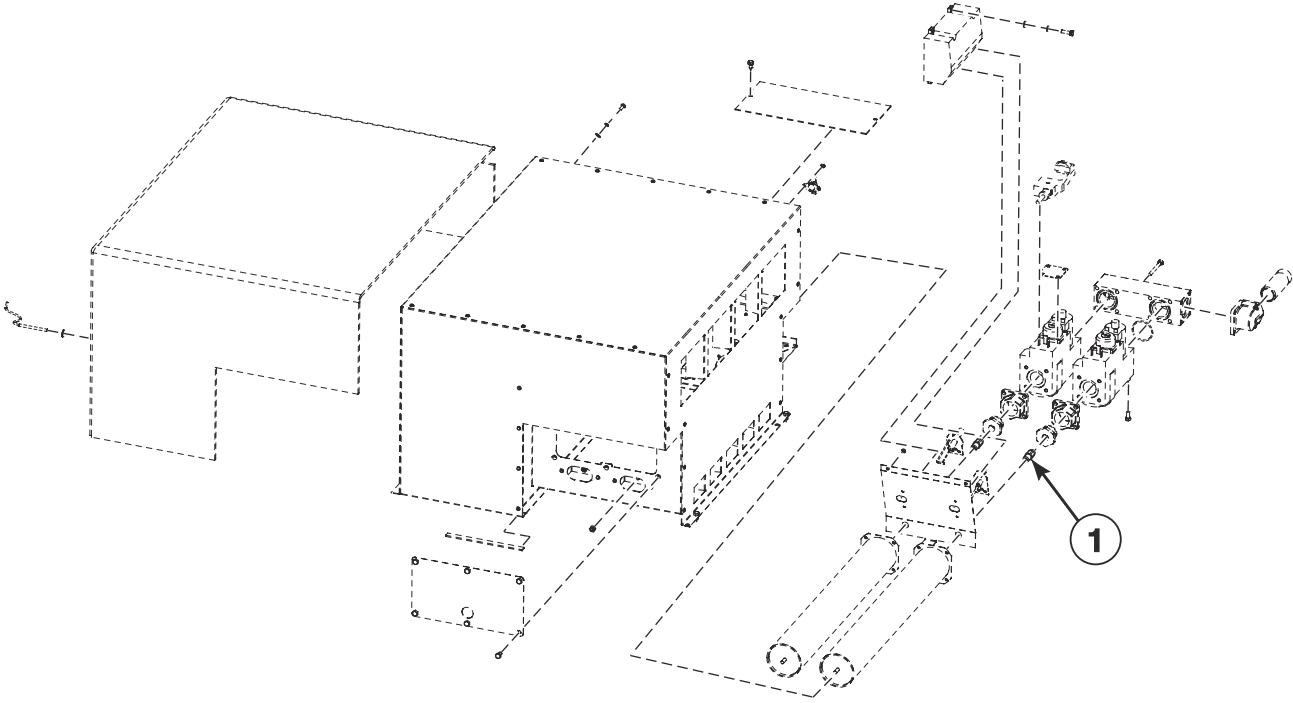
CZT4P_D2572

Gas Heat Components - Models Through Serial No. 35T007384QB (Drawing 1 of 2)

REF	PART NO.	DESCRIPTION	COMMENTS
	SP273454410020	Hose	
	SP516144	Flame Detection Cable	Use with item 24
	SP516143	Ignition Cable	Use with item 9
	520098	Gas Valve Wiring	60 Hertz; Use with item 20
1	SP516669	Washer	
2	SP522024	Gas Box Isolation	
3	SP309798524408	Bolt	
4	SP311127240004	Washer	
5	SP311125240004	Washer	
6	SP100218	Screw	
7	SP520382	Cover	
8	SP514127	Safety Thermostat	
9	SP357375100500	Ignition Electrode	
10	SP357456010080	Ignition Unit	
11	SP311125000005	Washer	
12	SP311127000005	Washer	
13	SP309933000516	Bolt	
14	SP102019	Blank Plate Kit	Without regulator
15	SP309966240550	Bolt	
16	SP520383	Block	
17	SP102018	Flange	
18	SP512142	Tube	
19	SP520395	O-Ring	
20	SP102000	Gas Valve	50 Hertz
	SP520281	Gas Valve	60 Hertz
21	SPPRI202001001	Bolt	
22	SP514062	Flange	
23	SP512067	Nozzle	
24	SP102002	Detection Electrode	
25	SP520279	Electrode Bracket	
26	SP552515	Burner Tube	
27	SP517238	Screw	
28	SP313250032006	Rivet	
29	SP310934240005	Nut	
30	SP541394	Burner Window	
31	SP517232	Seal	
32	SP541413	Heater Box	
33	SP516092	Temperature Sensor	
34	345000180901	Connector	50 Hertz; Use with item 20
	345000160645	Contact	50 Hertz; Use with item 20
	SP357500459412	Gas Valve Cable	50 Hertz; Use with item 20

Gas Heat Components - Models Through Serial No. 35T007384QB (Drawing 2 of 2)

Gas Models



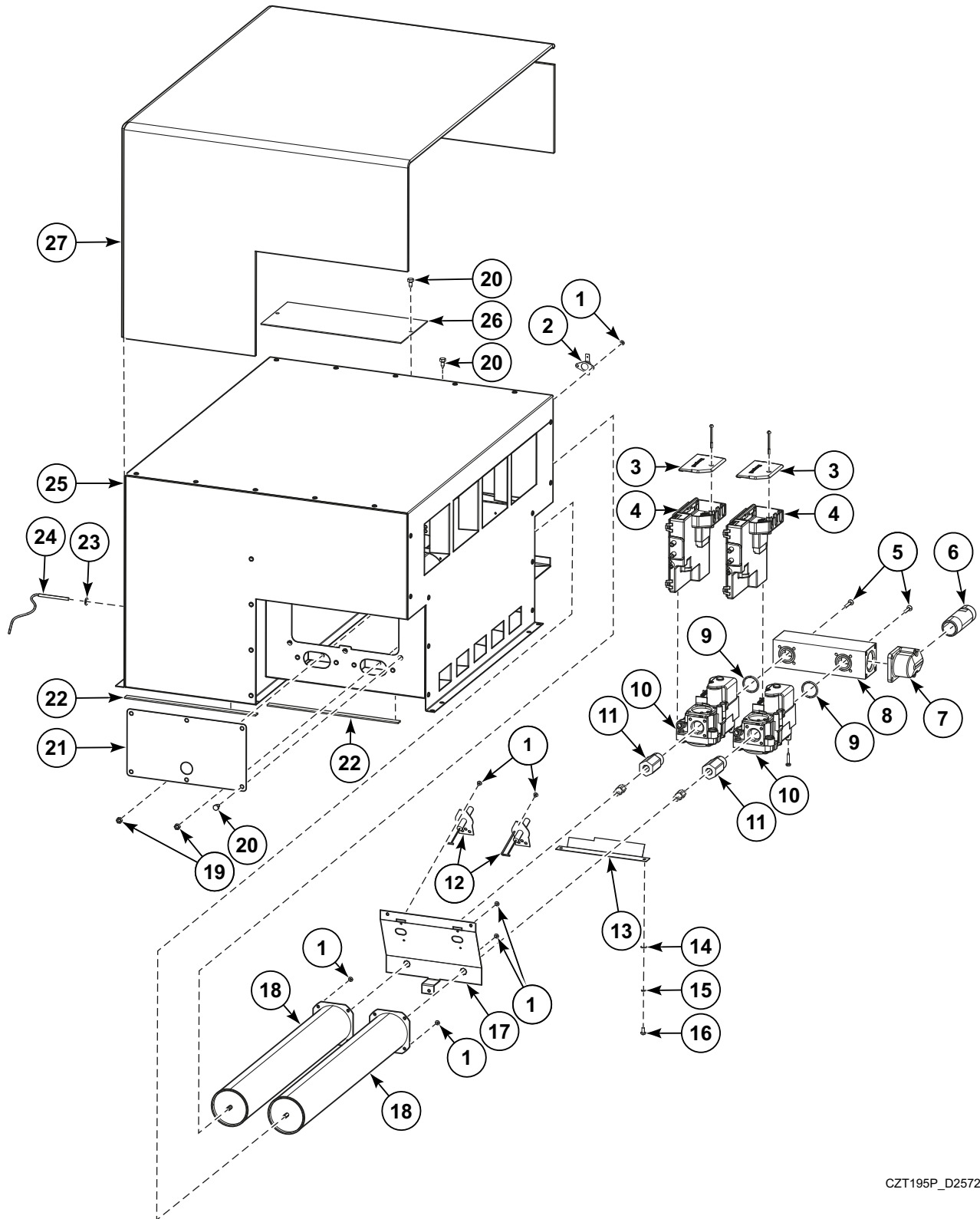
CZT4PA_D2572

Gas Heat Components - Models Through Serial No. 35T007384QB (Drawing 2 of 2)

REF	PART NO.	DESCRIPTION	COMMENTS
1	525466	Orifice	130
	525465	Orifice	165
	517241	Orifice	170
	517327	Orifice	175
	517328	Orifice	185
	517243	Orifice	190
	517222	Orifice	200
	520399	Orifice	210
	517223	Orifice	215
	517329	Orifice	220
	517224	Orifice	235
	517245	Orifice	245
	530819	Orifice	250
	517246	Orifice	260
	517250	Orifice	290
	517251	Orifice	300
	517252	Orifice	310
	517253	Orifice	325
	517225	Orifice	350
	517257	Orifice	360
	517258	Orifice	365
	517226	Orifice	380
	530820	Orifice	385
	517227	Orifice	420
	517330	Orifice	435
	517331	Orifice	445
	517337	Orifice	530
	520237	Orifice	650
	520236	Orifice	700

Gas Heat Components - Models Starting Serial No. 35T007385QB (Drawing 1 of 2)

Gas Models



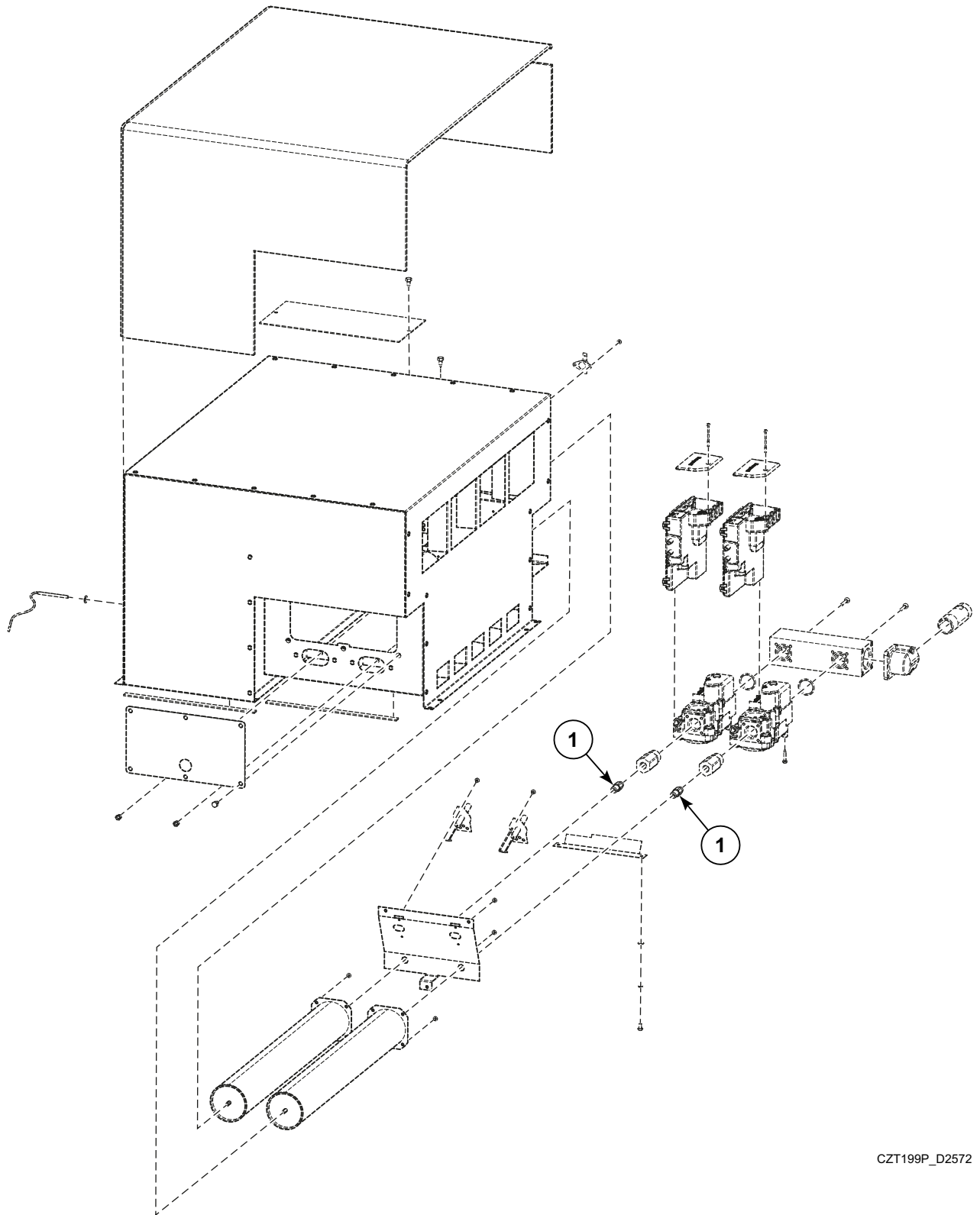
CZT195P_D2572

Gas Heat Components - Models Starting Serial No. 35T007385QB (Drawing 1 of 2)

REF	PART NO.	DESCRIPTION	COMMENTS
1	SP517238	Screw	ST 3.6x6.5
2	SP514127	Safety Thermostat	
3	SP537625	Terminal Board Cover	
4	571938	Control Unit	
5	571960	Bolt	M4x50
6	SP512142	Tube	3/4 inch
7	SP102018	Flange	
8	569432	Cube	
9	571961	Ring	22x2.5
10	572351	Gas Valve	
11	569433	Holder	
12	SP357375100500	Ignition Electrode	
13	541395	Primary Air Limitation	
14	SP311125240004	Washer	4.3
15	SP311127000004	Washer	M4
16	SP309798524408	Bolt	M4x8
17	571954	Electrodes Holder	
18	SP552515	Burner Tube	
19	SP310934000005	Nut	M5
20	SP100218	Screw	ST4.8x13
21	SP541394	Burner Window	
22	SP517232	Seal	
23	SP516669	Washer	2 pcs
24	SP516092	Temperature Sensor	
25	571927	Heater Box	
26	SP520382	Cover	
27	SP522024	Gas Box Isolation	

Gas Heat Components - Models Starting Serial No. 35T007385QB (Drawing 2 of 2)

Gas Models



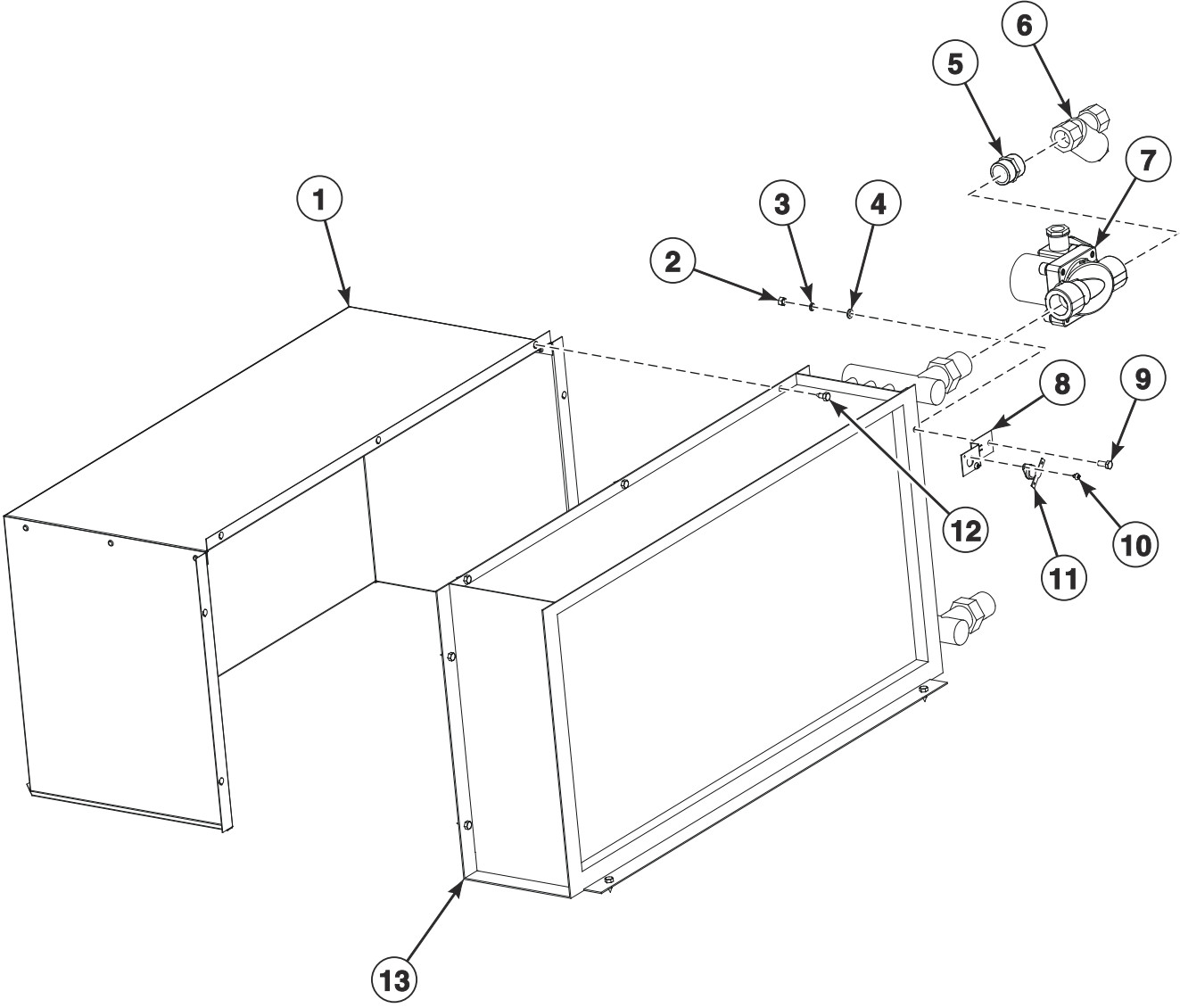
CZT199P_D2572

Gas Heat Components - Models Starting Serial No. 35T007385QB (Drawing 2 of 2)

REF	PART NO.	DESCRIPTION	COMMENTS
1	525466	Orifice	130
	525465	Orifice	165
	517241	Orifice	170
	517327	Orifice	175
	517328	Orifice	185
	517243	Orifice	190
	517222	Orifice	200
	520399	Orifice	210
	517223	Orifice	215
	517329	Orifice	220
	517224	Orifice	235
	517245	Orifice	245
	530819	Orifice	250
	517246	Orifice	260
	517250	Orifice	290
	517251	Orifice	300
	517252	Orifice	310
	517253	Orifice	325
	517225	Orifice	350
	517257	Orifice	360
	517258	Orifice	365
	517226	Orifice	380
	530820	Orifice	385
	517227	Orifice	420
	517330	Orifice	435
	517331	Orifice	445
	517337	Orifice	530
	520237	Orifice	650
	520236	Orifice	700

Steam Heat Components

Steam Models

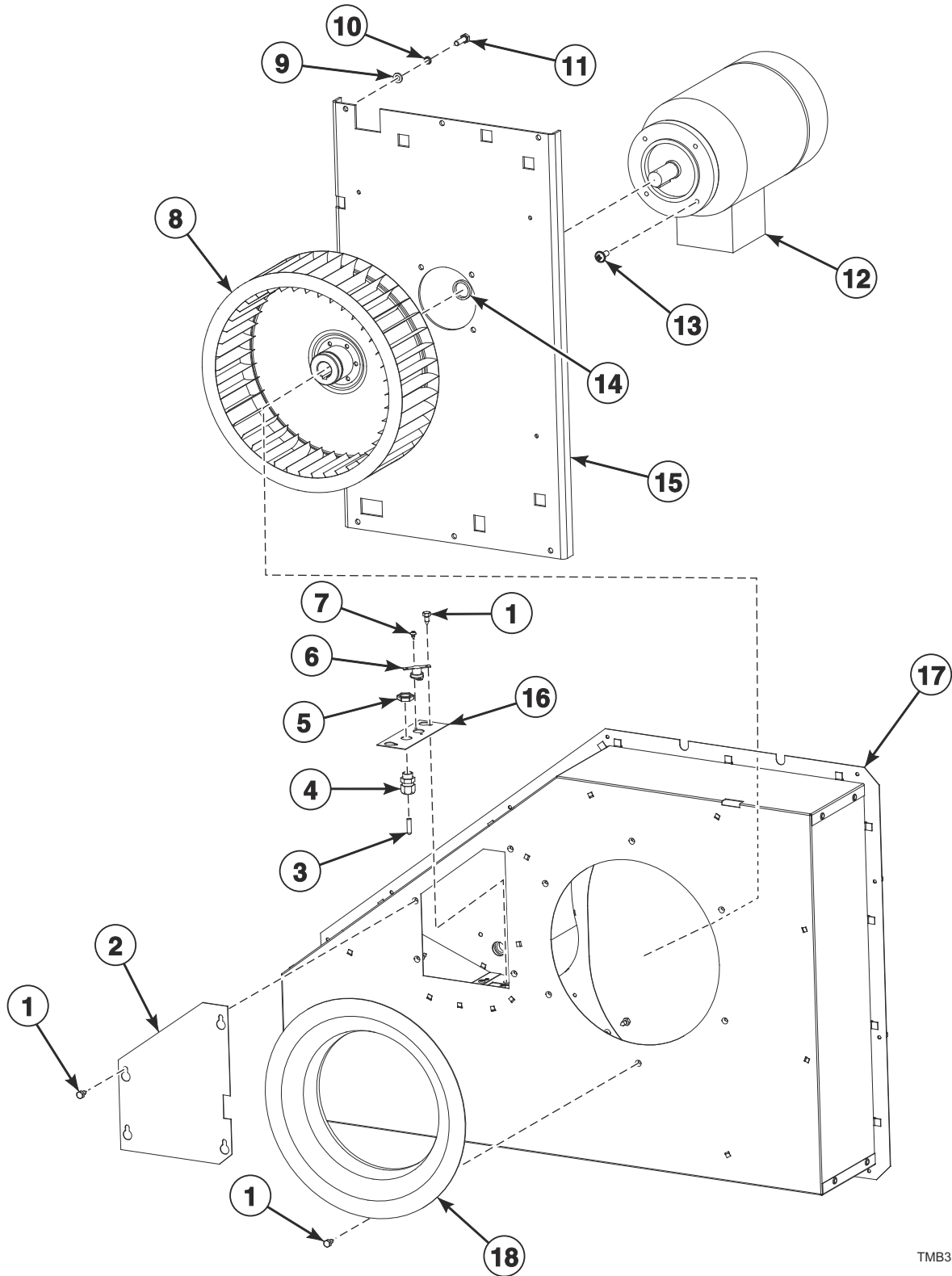


TMB3379P_D2572

Steam Heat Components

REF	PART NO.	DESCRIPTION	COMMENTS
	SP273454410020	Hose	
1	SP520390	Steam Heating Assembly	
2	SP310934240005	Nut	
3	SP311127000005	Washer	
4	SP311125000005	Washer	
5	SPPRI426001217	Pipe Nipple	
6	SP405054057006	Steam Filter	
7	SP516718	Steam Valve	50 Hertz; With coil
	SP514166	Steam Valve Body	60 Hertz; Without coil
	SP516717	Coil	60 Hertz
8	SP520227	Thermostat Bracket	
9	SPPRI202001001	Bolt	
10	SP517238	Screw	
11	SP514127	Safety Thermostat	
12	SP100218	Screw	
13	SP520286	Steam Exchanger	4 row

Ventilator

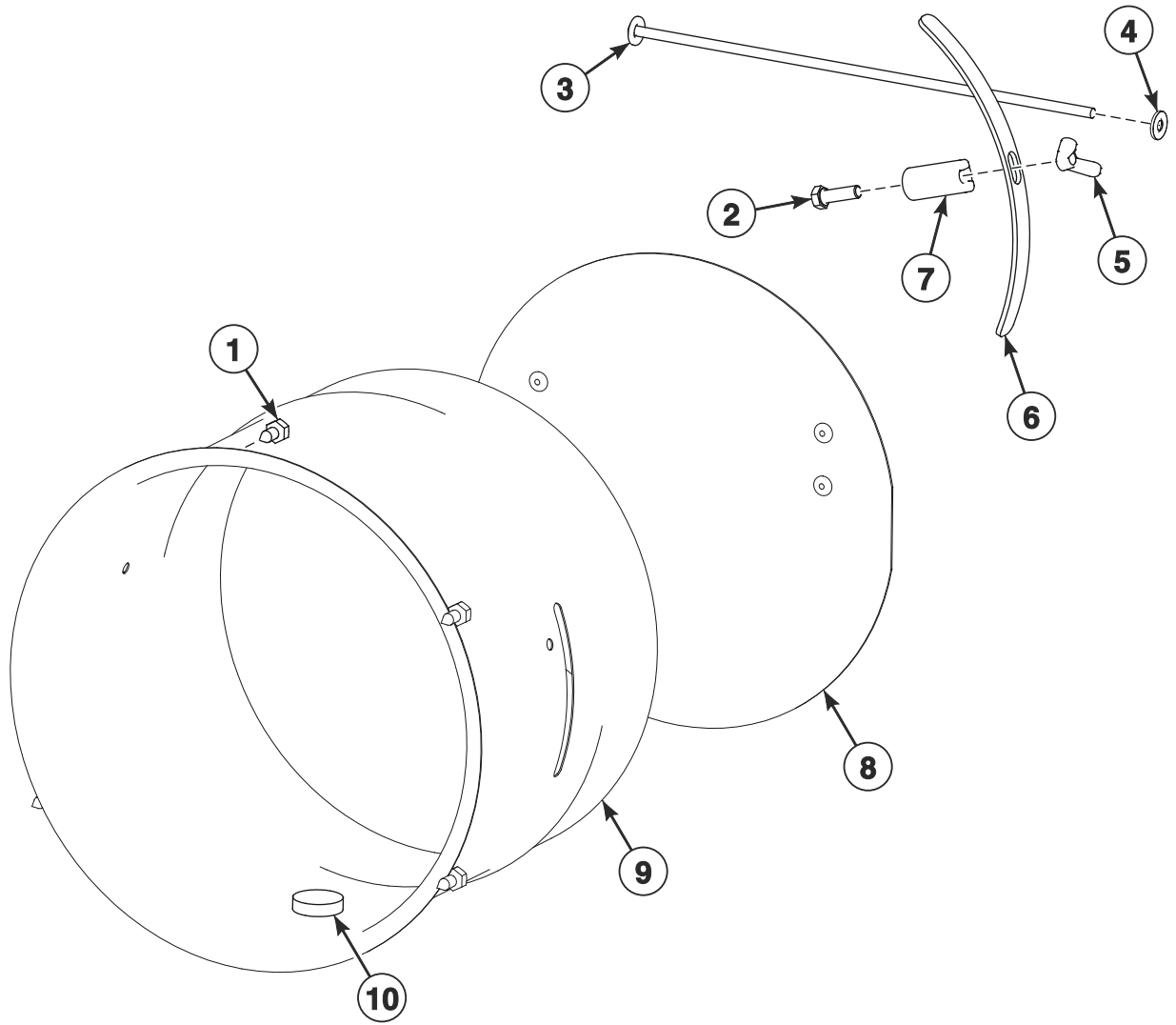


TMB3380P_D2572

Ventilator

REF	PART NO.	DESCRIPTION	COMMENTS
	SP551784	Ventilator Assembly	1 phase; Includes items 8-15
	SP551781	Ventilator Assembly	3 phase; Includes items 8-15
1	SP100218	Screw	
2	SP534808	Sensor Cover	
3	SP534930	Temperature Sensor	
4	SP101405	Bushing	
5	SP101415	Nut	
6	SP527728	Safety Thermostat	Electric and gas models
	SP514016	Safety Thermostat	Steam models
7	SP517238	Screw	
8	SP523632	Ventilator	
9	SP311127000006	Washer	
10	SP311125000006	Washer	
11	SP309933000620	Bolt	
12	SP551783	Motor	1 phase
	SP523622	Fan Motor	3 phase
13	SP510954	Bolt	
14	SP551782	Washer	
15	SP551779	Motor Plate	
16	SP534809	Sensor Bracket	
17	SP523689	Ventilator Cover	
18	SP101863	Inlet	

Exhaust

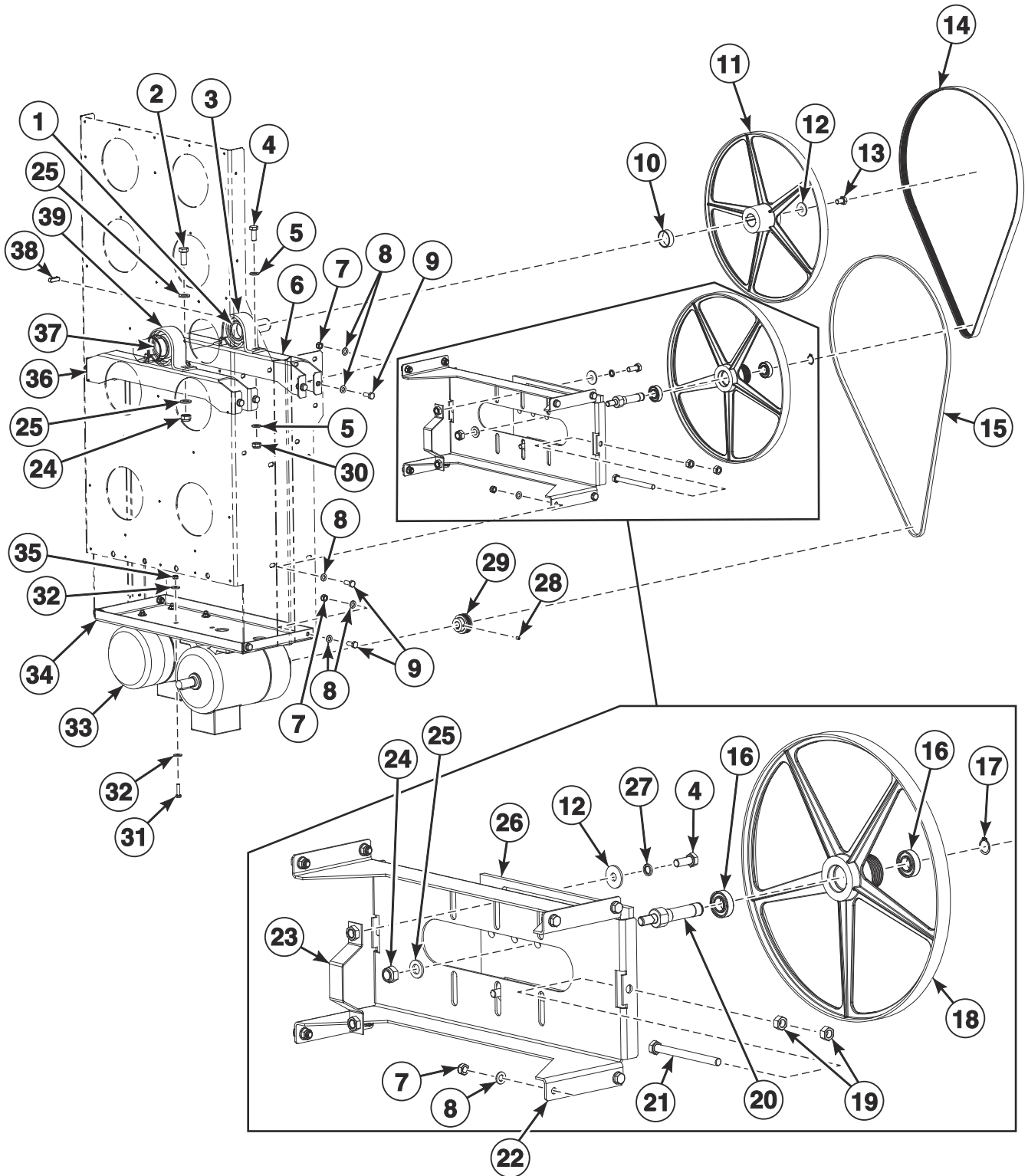


TMB3381P_D2572

Exhaust

REF	PART NO.	DESCRIPTION	COMMENTS
	SP534915	Exhaust Assembly	Includes items 1-10
1	SP100218	Screw	
2	SP309933000516	Bolt	
3	SP534921	Bar	
4	SP516669	Washer	
5	SP534929	Nut	
6	SP534919	Plug	
7	SP534900	Flap Stop	
8	SP534917	Flap Stop	
9	SP534920	Adapting Pipe	
10	SP273127001798	Plug	

Drive System

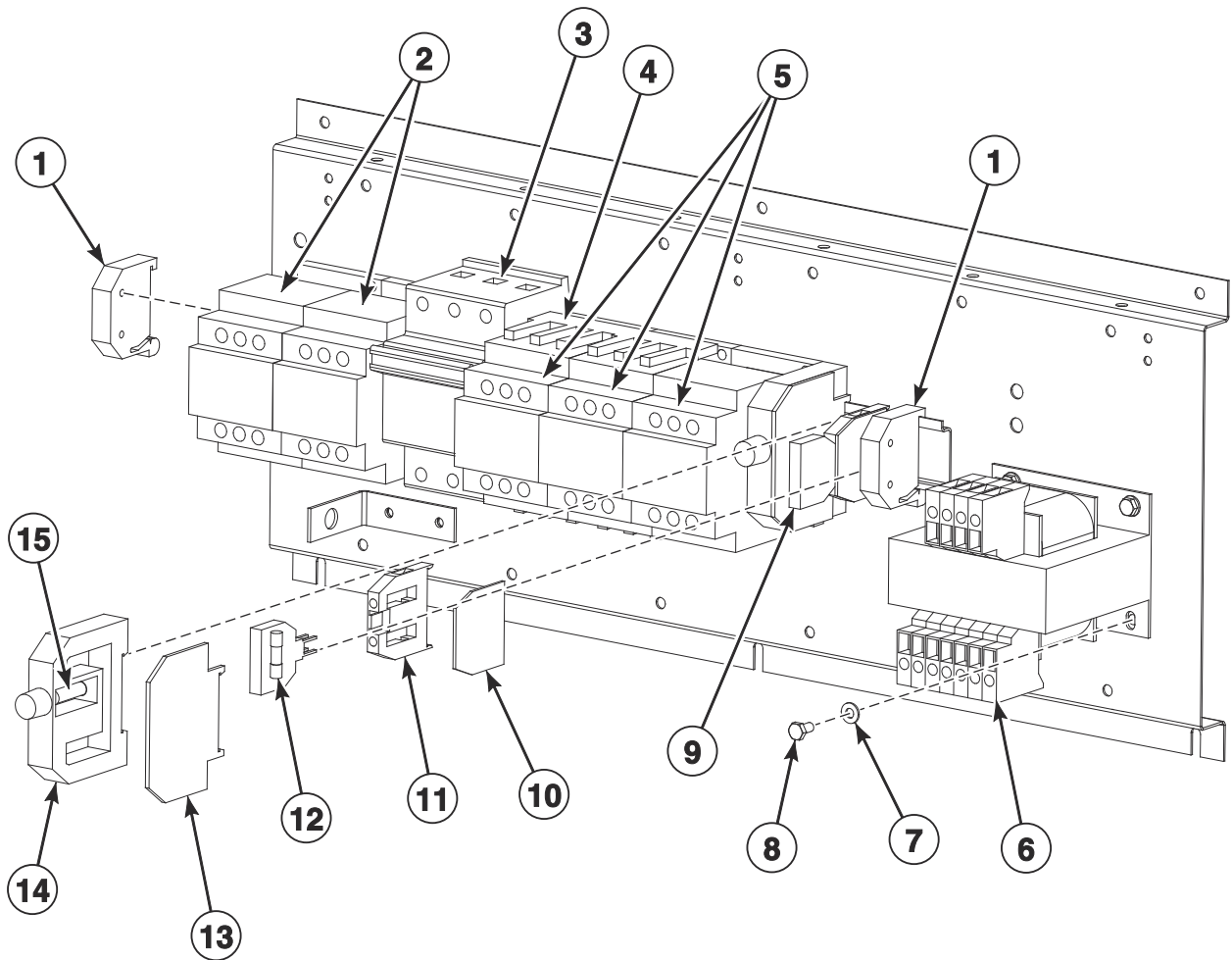


TMB3382P_D2572

Drive System

REF	PART NO.	DESCRIPTION	COMMENTS
	SP528929	Tension Assembly	Includes items 4, 7, 8, 12 and 16-27
1	SP514006	Bearing	
2	SP309933001230	Bolt	
3	SP515570	Bearing House	
4	SP309933001025	Bolt	
5	SP311125000010	Washer	
6	SP521126	Bearing Bracket	
7	SP310985000008	Nut	
8	SP311125000008	Washer	
9	SP309933000820	Bolt	
10	SP521103	Distance Ring	
11	SP530681	Double Drum Pulley	
12	SP311902100010	Washer	
13	SP309933001020	Bolt	
14	SP523732	Belt	
15	SP528925	Belt	
16	SP326000600300	Bearing	
17	SP515517	Retaining Ring	
18	SP534703	Double Pulley	
19	SP310934000010	Nut	
20	SP534704	Tension Rod	
21	SP309933001120	Bolt	
22	SP520461	Tensioning Bracket	
23	SP515514	Support Plate	
24	SP310985000012	Nut	
25	SP311125000013	Washer	
26	SP514480	Sliding Board	
27	SP311127000010	Washer	
28	SP309916000408	Bolt	
29	SP530690	Motor Pulley	50 Hertz; Reversing
	SP530719	Motor Pulley	60 Hertz; Reversing
	SP527724	Motor Pulley	50 Hertz; Nonreversing
	SP528924	Motor Pulley	60 Hertz; Nonreversing
30	SP310985000010	Nut	
31	SP309933000625	Bolt	
32	SP311902100006	Washer	
33	SP523724	Motor	208-240 Volt; 1 Phase; Reversing
	SP523725	Motor	3 Phase; Reversing
34	SP520419	Motor Bracket	
35	SP310985000006	Nut	
36	SP521119	Bearing Bracket	
37	SP514004	Bearing	
38	SP505449	Key	
39	SP520449	Bearing House	

Electric Box Components - Electric Models

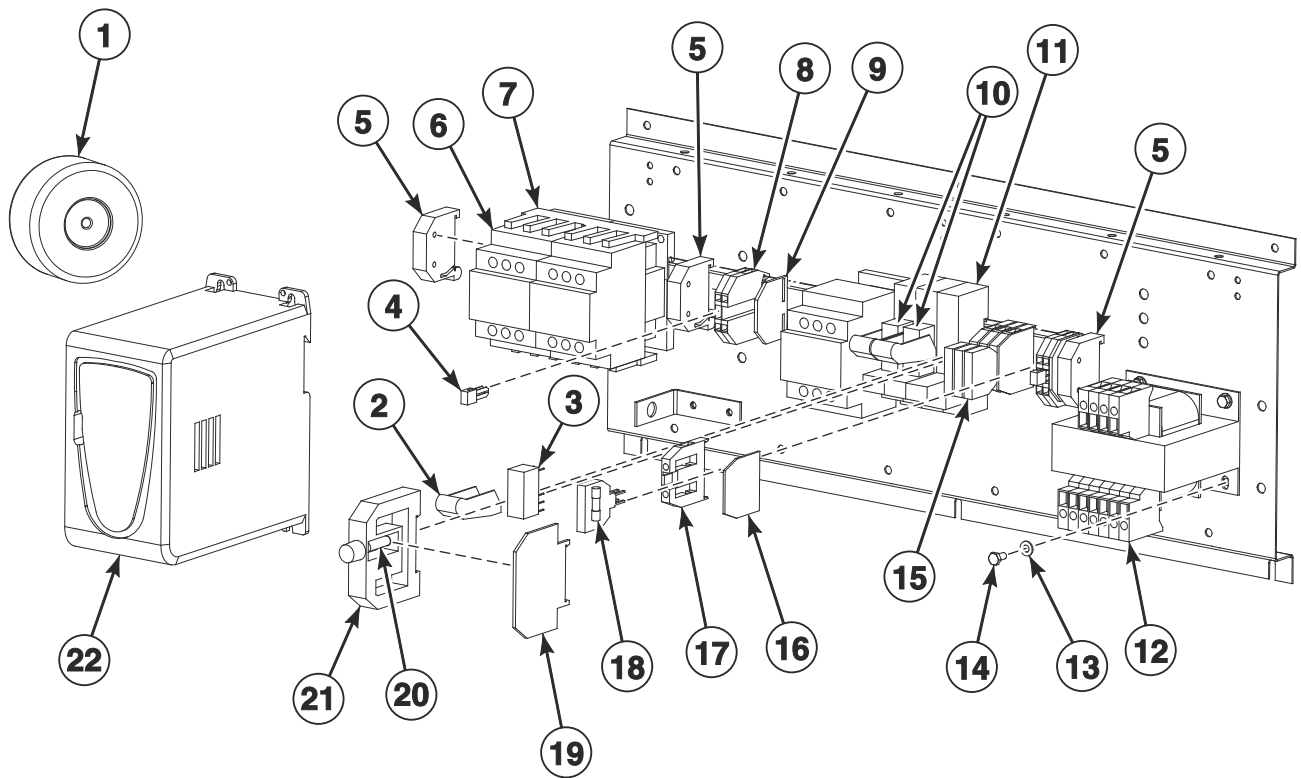


TMB3383P_D2572

Electric Box Components - Electric Models

REF	PART NO.	DESCRIPTION	COMMENTS
	SP552248	Autotransformer	
1	SP346000209101	End Stop	
2	SPPRI345022019	Contactora	30 kW 230V; 48 kW 380-440V
	SP516038	Contactora	30 or 60 kW; 380-440V
3	SP358251506220	Fuse	
	SP358251601312	Fuse Isolator	
4	SP514051	Contactora Block	
5	SP510993	Contactora	
6	SP514021	Transformer	
7	SP311125000004	Washer	
8	SP309933240408	Bolt	
9	SP524654	Fuse Plug	
10	SP524655	Cover	
11	SP524653	Fuse Clip	
12	SP345805005020	Fuse	250V T500mA
	SPPRI401001021	Fuse	250V F4A
13	SP346000014010	Cover	
14	SP346000004010	Fuse Case	
15	SP514133	Fuse	500V F500mA; 440V; 380-415V

Electric Box Components - Gas and Steam Models

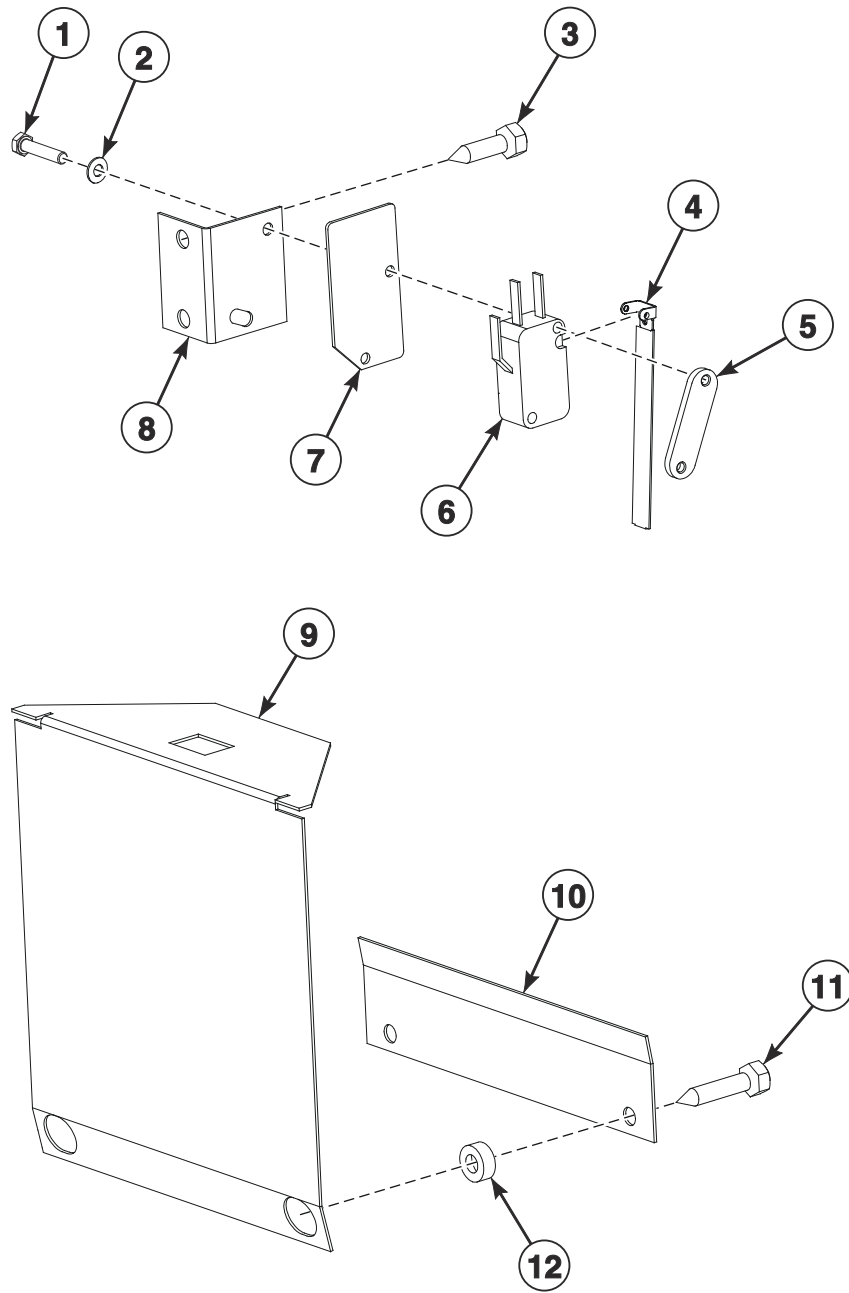


TMB3384P_D2572

Electric Box Components - Gas and Steam Models

REF	PART NO.	DESCRIPTION	COMMENTS
1	SP528391	Transformer	
2	SP514135	Relay Clamp	Gas models
3	SP514134	Relay	220VAC; Gas models
4	SP346000280402	Interconnection	
5	SP346000209101	End Stop	
6	SP510993	Contactactor	
	SP520195	Resistance Bleeder	
7	SP514051	Contactactor Block	
8	SP346000280101	Clamp	
9	SP346000280301	Cover	
10	SP514057	Relay	24VAC; Gas models
11	SP506586	Relay Case	Gas models
12	SP514021	Transformer	14.2V plus 24V; 208-440V
	SP516648	Transformer	380-415V without N
13	SP311125000004	Washer	
14	SP309933240408	Bolt	
15	SP524654	Fuse Plug	
16	SP524655	Cover	
17	SP524653	Fuse Clip	
18	SPPRI401001021	Fuse	250V F4A
	SP345805005020	Fuse	250V T500mA
	SPPRI401020021	Fuse	1.6A
19	SP346000014010	Cover	
20	SP514133	Fuse	500V F500mA; 440V; 380-415V
	SP345805163032	Fuse	Gas models
21	SP346000004010	Fuse Case	
22	SP557962	Frequency Inverter	

Under Pressure Clutch

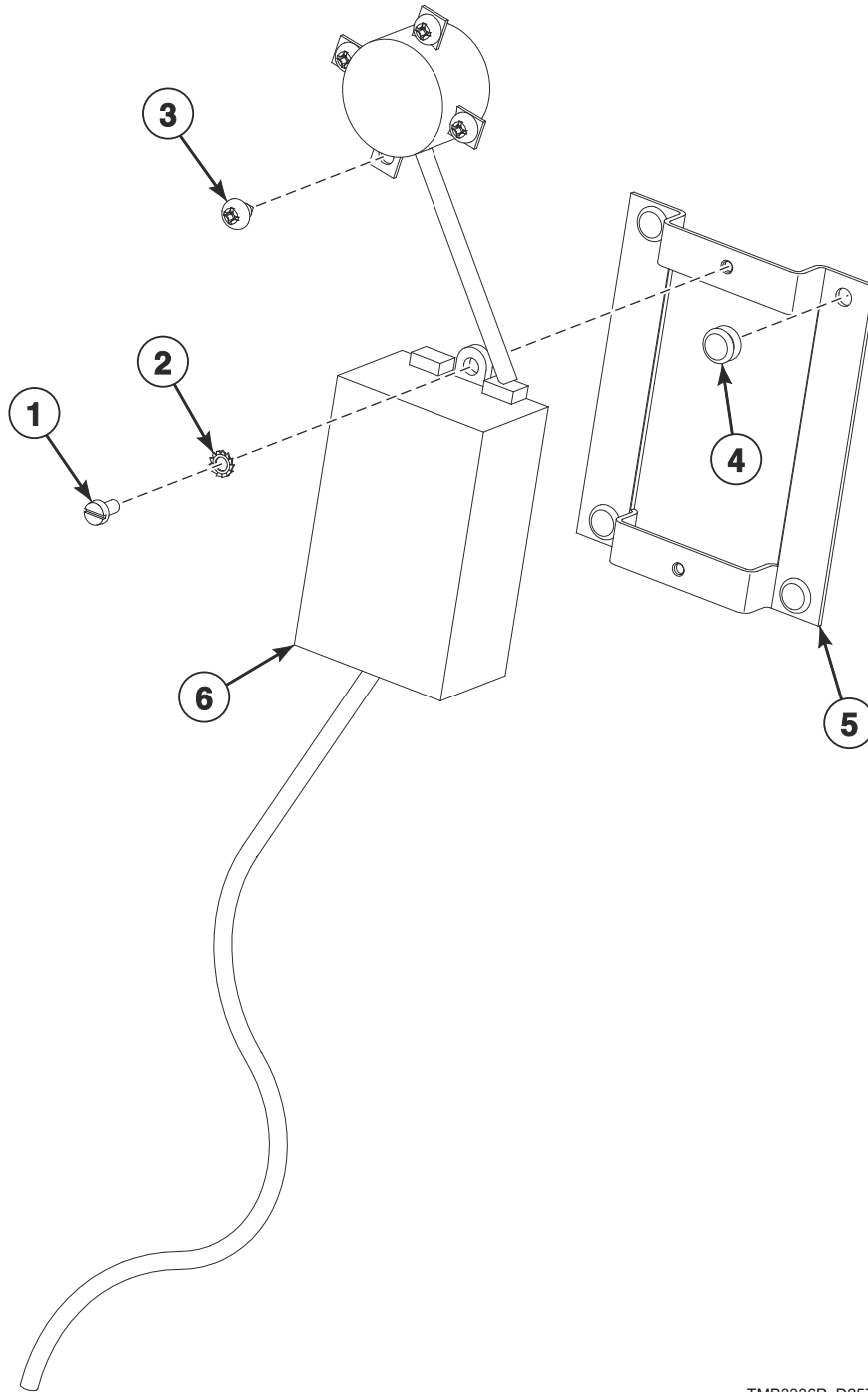


TMB3370P_D2572

Under Pressure Clutch

REF	PART NO.	DESCRIPTION	COMMENTS
	SP525467	Underpressure Clutch Assembly	Includes items 1-12
1	SP516623	Bolt	
2	SP311125000003	Washer	
3	SP518623	Bolt	
4	SP517441	Microswitch Lever Assembly	
5	SP235119001815	Nut	
6	SPPRI610028017	Microswitch	
7	SP101154	Isolation Plate	
8	SP520803	Microswitch Bracket	
9	SP525468	Clutch	
10	SP520808	Stop End	
11	SP520871	Screw	
12	SP520804	Distance Ring	

Humidity Sensor



TMB3336P_D2572

Humidity Sensor

REF	PART NO.	DESCRIPTION	COMMENTS
	SP532002	Dust Cap Humidity Sensor	
	SP518562	Humidity Sensor Assembly	Includes items 1-6
1	SP309084000306	Bolt	
2	SP311679800003	Washer	
3	SP517238	Screw	
4	SP313250004063	Rivet	
5	SP518563	Sensor Holder	
6	SP102456	Humidity Sensor	

Parts Index

A

Adapting Pipe SP534920	41
Adhesive SP245704003021	25
Adjustable Foot SPPRI504000001	21
Autotransformer SP552248	45

B

Bearing SP326000600300	43
SP514004	43
SP514006	43
Bearing Bracket SP521119	43
SP521126	43
Bearing House SP515570	43
SP520449	43
Belt SP523732	43
SP528925	43
Blank Plate Kit SP102019	29
Block SP520383	29
Bolt SPPRI202001001	29, 37
SP309084000306	51
SP309798500306	7
SP309798524408	29, 33
SP309916000408	43
SP309933000416	9, 17, 19, 21
SP309933000516	29, 41
SP309933000620	39
SP309933000625	43
SP309933000820	43
SP309933001020	43
SP309933001025	43
SP309933001120	43
SP309933001230	43
SP309933100625	27
SP309933240408	45, 47
SP309966240410	5
SP309966240550	29
SP510954	39
SP516623	49
SP516693	21
SP518623	49
SP518719	21
SP524367	25
SP525101	25
SP527892	23
SP534921	41
571960	33
Burner Tube SP552515	29, 33

Burner Window SP541394	33
Burner Window SP541394	29
Bushing SP101405	39

C

Cable SP521061	9, 17, 19
Cable Bushing SPPRI501000071	21
Cable Holder SP528313	21
SP561193	21
Clamp SP346000280101	47
Clutch SP525468	49
Coil SP516717	37
Coin Meter SP100642	11
SP100866	11
SP100867	11
SP100868	11
SP100869	11
SP100870	11
SP100871	11
SP100887	11
SP100888	11
SP100891	11
SP100892	11
SP100893	11
SP100895	11
SP100896	11
SP100898	11
SP100900	11
SP100902	11
SP101155	11
SP101228	11
SP101293	11
SP101437	11
SP101450	11
SP101499	11
SP101535	11
SP101536	11
SP101586	11
SP101612	11
SP101632	11
SP101797	11
SP102084	11
SP102371	11
SP102407	11
SP102452	11
SP102473	11
SP102546	11
SP516632	11
SP516636	11
SP516638	11
SP516639	11
SP516737	11

N/A items do not appear in index.

SP516804	11	572328	15
SP516807	11	572337	15
SP516875	11	572338	15
SP516921	11	572340	15
SP516950	11	572344	15
SP516967	11	572360	15
SP516969	11	572385	15
SP516977	11		
SP516980	11	Coin Meter Bracket	
SP516984	11	SP561154	9
SP516991	11	Coin Vault	
SP516992	13	SP321848140028	21
SP516994	13	Coin Vault Assembly	
SP516999	13	SP522023	21
SP529106	13	Coin Vault Case	
SP529108	13	SP522022	21
SP529110	13	Coin Vault Cover	
SP529113	13	SP515291	21
SP529114	13	Coin Vault Frame	
SP529115	13	SP501514	21
SP529119	13	Coin Vault Support	
SP529124	13	SP514821	21
SP534187	13	Connector	
SP534289	13	345000180901	29
SP534297	13	Contact	
SP537775	13	345000160645	29
SP537776	13	Contact	
SP537778	13	345000160645	29
SP537779	13	Contact	
SP537787	13	SPPRI345022019	45
SP537788	13	SP510993	45, 47
SP537825	13	SP516038	45
SP537828	13	Contact	
SP537829	13	SP514051	45, 47
SP537859	13	Control	
SP537913	13	SP102458	9, 17, 19
SP552901	13	Control Board	
SP552951	13	SP102457	7
SP552952	13	SP556608	7
SP552998	13	Control Bracket	
SP553007	13	SP559819	9, 17, 19
SP553008	13	SP561153	9, 17, 19
SP553140	13	Control Panel	
SP555667	13	SP557167	9
SP556109	13	SP557177	17
SP556113	13	SP561147	7
SP556114	13	SP561155	19
SP556116	13	SP561161	17
SP556153	13	SP561162	9
SP559709	13	SP561163	19
SP560095	13	SP561181	7
SP560096	13	574521	17
SP560097	13	574522	9
SP560098	13	574523	19
SP560099	13	574532	7
SP560743	13	Control Panel Assembly	
SP560746	13	SP561148	17
SP560793	13	SP561149	9
SP561379	13	SP561151	19
SP564823	13	SP561152	7
569923	11	SP561180	7
569935	13	SP561182	17
572303	15	SP561183	9
572306	15	SP561184	19
572309	15	571905	17
572312	15	571912	7
572315	15	571931	7
572319	15	571932	17
572322	15	574524	17

N/A items do not appear in index.

574525	9
574526	19
574527	17
574528	9
574529	19
574530	7
574531	7
574535	9
574536	9
574537	19
574538	19
Control Unit	
571938	33
Cover	
SP346000014010	45, 47
SP346000280301	47
SP520382	29, 33
SP521331	27
SP524655	45, 47
Cube	
569432	33

D

Detection Electrode	
SP102002	29
Display Board	
SP553416	9, 17, 19
SP560706	9, 17, 19
Distance Ring	
SP520804	49
SP521103	43
Door	
SP524365	25
SP556562	25
Door Assembly	
SP524360	25
572347	25
Door Glass	
SP512052	25
Door Ring	
SP534874	25
Door Switch	
SP520561	21
SP521104	21
Door Switch Assembly	
SP520404	21
Door Switch Holder	
SP520403	21
Double Drum Pulley	
SP530681	43
Double Pulley	
SP534703	43
Drum	
SP520531	23
Drum Assembly	
SP520530	23
Dust Cap Humidity Sensor	
SP532002	51

E

Electric Heater Box	
SP520290	27
Electrode Bracket	
SP520279	29
Electrodes Holder	
571954	33
Emergency Stop Connector	
SP528311	7, 9, 17
Emergency Stop Knob	
SP528310	7, 9, 17
End Stop	
SP346000209101	45, 47
Exhaust Assembly	
SP534915	41
Extend Coin Wiring	
SP557975	9

F

Fan Motor	
SP523622	39
Filter Assembly	
SP534810	21
Filter Panel Assembly	
SP528964	5
SP528967	5
SP557172	5
SP557173	5
528965	5
528968	5
Flame Detection Cable	
SP516144	29
Flange	
SP102018	29, 33
SP514062	29
Flap Stop	
SP534900	41
SP534917	41
Frequency Inverter	
SP557962	47
Front Panel Assembly	
SP528972	5
SP528974	5
SP545548	5
SP557169	5
SP557170	5
SP557171	5
528973	5
528975	5
545549	5
Front Seal	
SP518505	23
Fuse	
SPPRI401001021	45, 47
SPPRI401020021	47
SP345805005020	45, 47
SP345805163032	47
SP358251506220	45
SP514133	45, 47
Fuse Case	
SP346000004010	45, 47

N/A items do not appear in index.

Fuse Clip	
SP524653	45, 47
Fuse Isolator	
SP358251601312	45
Fuse Plug	
SP524654	45, 47

G

Gas Box Isolation	
SP522024	29, 33
Gas Valve	
SP102000	29
SP520281	29
572351	33
Gas Valve Cable	
SP357500459412	29
Gas Valve Wiring	
520098	29
Gasket	
SP101275	7
Glue	
SP534969	25

H

Heater Box	
SP541413	29
571927	33
Heating Element	
SP510984	27
SP510985	27
Holder	
569433	33
Hook	
SPPRI100010007	7
Hose	
SP273454410020	29, 37
Humidity Sensor	
SP102456	51
Humidity Sensor Assembly	
SP518562	51

I

Ignition Cable	
SP516143	29
Ignition Electrode	
SP357375100500	29, 33
Ignition Unit	
SP357456010080	29
Inlet	
SP101863	39
Interconnection	
SP346000280402	47
Isolation Paper	
SPPRI350012007	21
Isolation Plate	
SP101154	21, 49

K

Key	
SP505449	43

L

Label	
SP562956	9
Latch	
SP514530	5, 25
Lath	
SP534749	25
Lock	
SPPRI610000007	5, 7, 9, 17, 19
SP521221	5
Lock Hook	
SPPRI610001007	5, 9, 17, 19
Lower Door Hinge	
SP534747	25

M

Magnet	
SP556557	25
Main Switch	
SPPRI404000097	21
SPPRI404000099	21
SPPRI404000100	21
SP347700100753	21
SP506407	21
Main Switch Knob	
SPPRI404000095	21
Memory	
SP526001	7, 9, 17, 19
102460	9, 17, 19
102471	7
102472	7
545264	9, 17, 19
Microswitch	
SPPRI610011077	21
SPPRI610028017	49
SP506045	21
SP517484	21
Microswitch Bracket	
SP520803	49
Microswitch Lever Assembly	
SP517441	49
Motor	
SP523724	43
SP523725	43
SP551783	39
Motor Bracket	
SP520419	43
Motor Plate	
SP551779	39
Motor Pulley	
SP527724	43
SP528924	43
SP530690	43
SP530719	43

N/A items do not appear in index.

N

Nozzle	
SP512067	29
Nut	
SPPRI610005007	7, 9, 17, 19
SPPRI610006007	7, 9, 17, 19
SP101415	39
SP235119001815	49
SP310934000004	9, 17, 19, 21
SP310934000005	33
SP310934000010	21, 43
SP310934100006	27
SP310934240004	25
SP310934240005	29, 37
SP310934240012	23
SP310985000006	43
SP310985000008	43
SP310985000010	43
SP310985000012	43
SP534929	41

O

Orifice	
517222	31, 35
517223	31, 35
517224	31, 35
517225	31, 35
517226	31, 35
517227	31, 35
517241	31, 35
517243	31, 35
517245	31, 35
517246	31, 35
517250	31, 35
517251	31, 35
517252	31, 35
517253	31, 35
517257	31, 35
517258	31, 35
517327	31, 35
517328	31, 35
517329	31, 35
517330	31, 35
517331	31, 35
517337	31, 35
520236	31, 35
520237	31, 35
520399	31, 35
525465	31, 35
525466	31, 35
530819	31, 35
530820	31, 35
O-Ring	
SP520395	29
Outer Door Gasket	
SP525107	25
Overlay	
SP556099	9, 17, 19
SP556100	7
SP559864	7
SP559871	9, 17, 19
SP559900	9, 17, 19

P

Pin Insertion	
SP520408	5
Pipe Nipple	
SPPRI426001217	37
Plug	
SP273127001798	41
SP345900025012	5
SP520297	27
SP534919	41
Primary Air Limitation	
541395	33

R

Rear Cover Assembly	
SP520553	21
Relay	
SP514057	47
SP514134	47
Relay Case	
SP506586	47
Relay Clamp	
SP514135	47
Resistance Bleeder	
SP520195	47
Retaining Ring	
SP515517	43
Ring	
571961	33
Rivet	
SP313250004063	51
SP313250032006	29
Rod	
SP517486	21

S

Safety Thermostat	
SP514016	39
SP514127	27, 29, 33, 37
SP527728	39
Screw	
SP100218	5, 9, 17, 19, 21, 27, 29, 33, 37, 39, 41
SP100306	9, 17, 19
SP517238	27, 29, 33, 37, 39, 51
SP520407	5
SP520871	49
Seal	
SP517232	29, 33
Sealing	
519170	5
Sensor Bracket	
SP534809	39
Sensor Cover	
SP534808	39
Sensor Holder	
SP518563	51
Sliding Board	
SP514480	43

N/A items do not appear in index.

Steam Exchanger SP520286	37
Steam Filter SP405054057006	37
Steam Heating Assembly SP520390	37
Steam Valve SP516718	37
Steam Valve Body SP514166	37
Stop End SP520808	49
Stop Pin SP520201	25
Support Plate SP515514	43
Switch SP100388	21
Switch Bracket SP521028	21
Switching Unit SP528312	7, 9, 17

T

Temperature Sensor SP516092	27, 29, 33
SP534930	39
Tension Assembly SP528929	43
Tension Rod SP534704	43
Tensioning Bracket SP520461	43
Terminal Board SPPRI350000007	21
Terminal Board Cover SP537625	33
Thermostat Bracket SP520227	37
Transformer SP514021	45, 47
SP516648	47
SP528391	47
Trunnion SP525068	23
Tube SP512142	29, 33

U

Underpressure Clutch Assembly SP525467	49
Upper Cover SP520563	21
Upper Door Hinge SP534746	25
Upper Rear Cover SP521035	21
SP521036	21
SP521132	21

Upper Rear Cover Assembly SP520560	21
---	----

V

Ventilator SP523632	39
Ventilator Assembly SP551781	39
SP551784	39
Ventilator Cover SP523689	39

W

Washer SPPRI522000012	5, 7, 9, 17, 19
SP311125000003	21, 49
SP311125000004	9, 17, 19, 21, 45, 47
SP311125000005	29, 37
SP311125000006	39
SP311125000008	43
SP311125000010	21, 43
SP311125000013	23, 43
SP311125000020	9, 17, 19
SP311125240004	29, 33
SP311127000003	21
SP311127000004	9, 17, 19, 21, 33
SP311127000005	29, 37
SP311127000006	39
SP311127000010	43
SP311127240004	29
SP311679800003	7, 51
SP311679800004	9, 17, 19
SP311679824006	27
SP311902100006	43
SP311902100010	43
SP514906	5
SP516669	27, 29, 33, 41
SP520298	27
SP524366	5
SP527896	23
SP551782	39

N/A items do not appear in index.