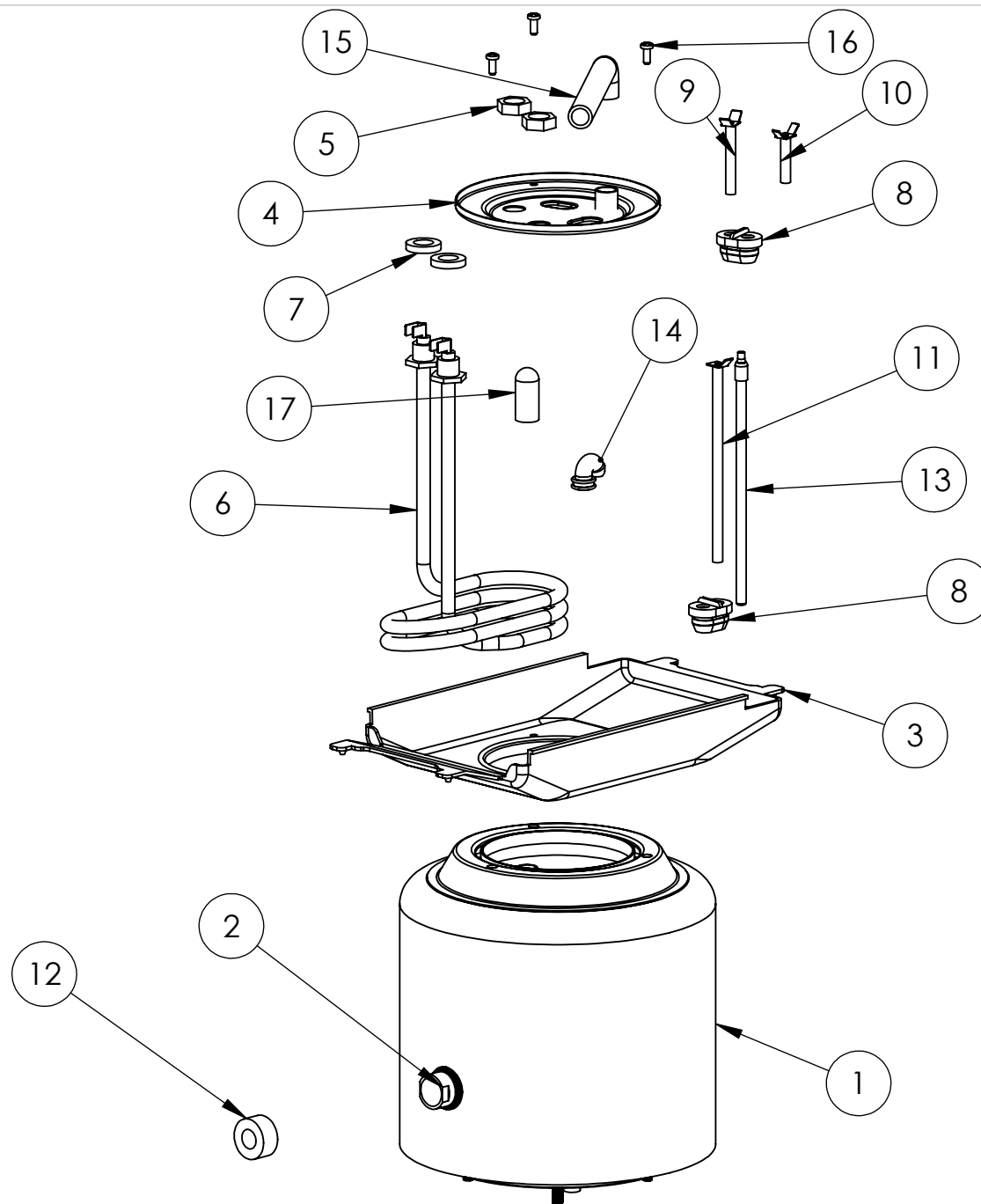


ITEM NO.	PART NUMBER	DESCRIPTION	QTY.
1	1860324	Mix Base - no Filter	1
2	1860307	Mix Rubber Foot	4
3	1860316	Mix Tank Support Assy	1
4	1860317	Mix Brace Assy	3
5	1860341	Mix Fascia Middle UC3	1
6	1860315	Mix Cup Well - No Filter	1
7	1860309	Mix Rear Panel PB3	1
8	1860318	Mix Side Panel PB3	2
9	1860304	Mix Fascia Upper	1
10	1860306	Mix Clear Screen	1
11	1860305	Mix Button	3
12	1860340	Mix Side UC3	2
13	1860302	Mix Top Lid	1
14	1860337	Mix Drain Plug	1
15	1600387	PCB Control Mix	1
16	1501156	Socket IEC C20	1
17	1501216	Dual Pole Rocker Switch	1
18	1400772	Elbow Barbed Connector - ATEB 0605	1
19	1800630	Silicone Hose 8mm ID x 12mm OD	200mm
20	1402162	Tailpiece Hose Elbow 1/4" BSP Fem x 12mm	1
21	1402160	Tailpiece Hose 1/4" Bsp X 12mm	1
22	1800630	Silicone Hose 8mm ID x 12mm OD	200mm
23	1400773	Barbed Connector - ATBC 0605	1
24	1400437	Bulkhead Connector 8mm (Legris)	1
25	1400436	Bulkhead Connector 1/4" (Legris)	1
26	1401658	Reducer Connector 3/8" - 1/4" - ARD 0406	1
27	1800637	Hose LDPE - 1/4"	350mm
28	1600455	Triac ST-BTA25	1
29	1502193	Valve Inlet Solenoid Dual - 3/8" Push Fit	1
30	1860342	Mix Deflector Shield - Front	1
31	1860343	Mix Deflector Shield - Rear	1
32	1601000	Power Supply 24V Dc	1
33	1501559	Pump Topsflo 24V DC	1
34	1401449	Plug Blanking Metal - 7604	1
35	1501121	Fuse Holder Snap Fit	1
36	-	Mix Vacc Tank 3L Assembly	1
37	1800690	Hose Water Inlet 3/4" WRC	1
	1800692	Hose Water Inlet 3/8 NPT	1
38	1501489	Cord set IEC C19 BS1363 UK	1
	1501488	Cord set IEC C19 CEE7 EU	1
	1501487	Cord set IEC C19 NEMA L6-20P US	1



UNLESS OTHERWISE SPECIFIED: DIMENSIONS ARE IN MILLIMETERS  
TOLERANCES: LINEAR: +/-0.2mm

DESCRIPTION:	Mix UC3 Exploded Diagram	DRAWN BY	JJ	30/05/17
DWG NO.:	TANG-003S	APPROVED BY	DW	30/05/17
MATERIAL:		REVISION	b	CO: 362
				SCALE:1:6



ITEM NO.	PART NUMBER	DESCRIPTION	QTY.
1	2300731	Vacuum Tank 3L	1
2	1401904	Spigot Stub Threaded 20mm for pump	1
3	1860310	Mix Tank Gasket	1
4	1860319	Mix Vacuum Tank Lid	1
5	1401000	LOCKNUT 1/4" BSP BRASS	2
6	1500991	Mix Element 3L	1
7	1801375	Silicone Washer 21x12x4mm	2
8	1860326	Mix Level Probe Grommet	2
9	2300455	Probe High Level - Mix	1
10	2300458	Probe Overflow - Mix	1
11	2300456	Probe Low Level 3L Tank - Mix	1
12	1502147	Valve Dispense Solenoid Plug M00849	1
13	1600693	Thermistor Assembly Mix 3L	1
14	1800672	Jet Basket Syphon	1
15	1800695	Hose Vent Mix UC	1
16	1401760	Screw M4 X 10mm Pozi Pan S/S	3
17	1800668	Silicone Closure	1



DESCRIPTION:	Mix UC3 Exploded Diagram	DRAWN BY	JJ	30/05/17	
DWG NO.:	TANG-003S	APPROVED BY	DW	30/05/17	
MATERIAL:		REVISION	b	CO:	362
					SCALE:1:6

UNLESS OTHERWISE SPECIFIED: DIMENSIONS ARE IN MILLIMETERS  
TOLERANCES: LINEAR: +/-0.2mm