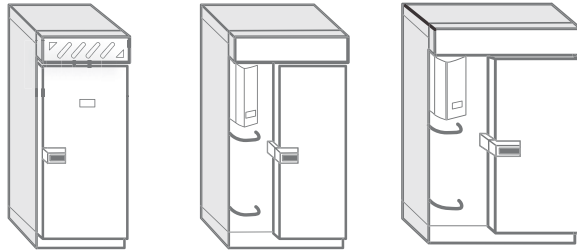


C20 · C02 · C40



IT **ABBATTITORI RAPIDI**
per gastronomia, pasticceria, gelateria

GB **BLAST CHILLER FREEZERS**
for gastronomy, pastry, ice-cream

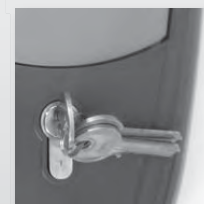
DE **SCHNELLABKÜHLER SCHOCKFR.**
für Gastronomy, Gebäck, Speiseeis

FR **CELLULES REFROIDISSEMENT**
pour gastronomie, pâtisserie, glacerie

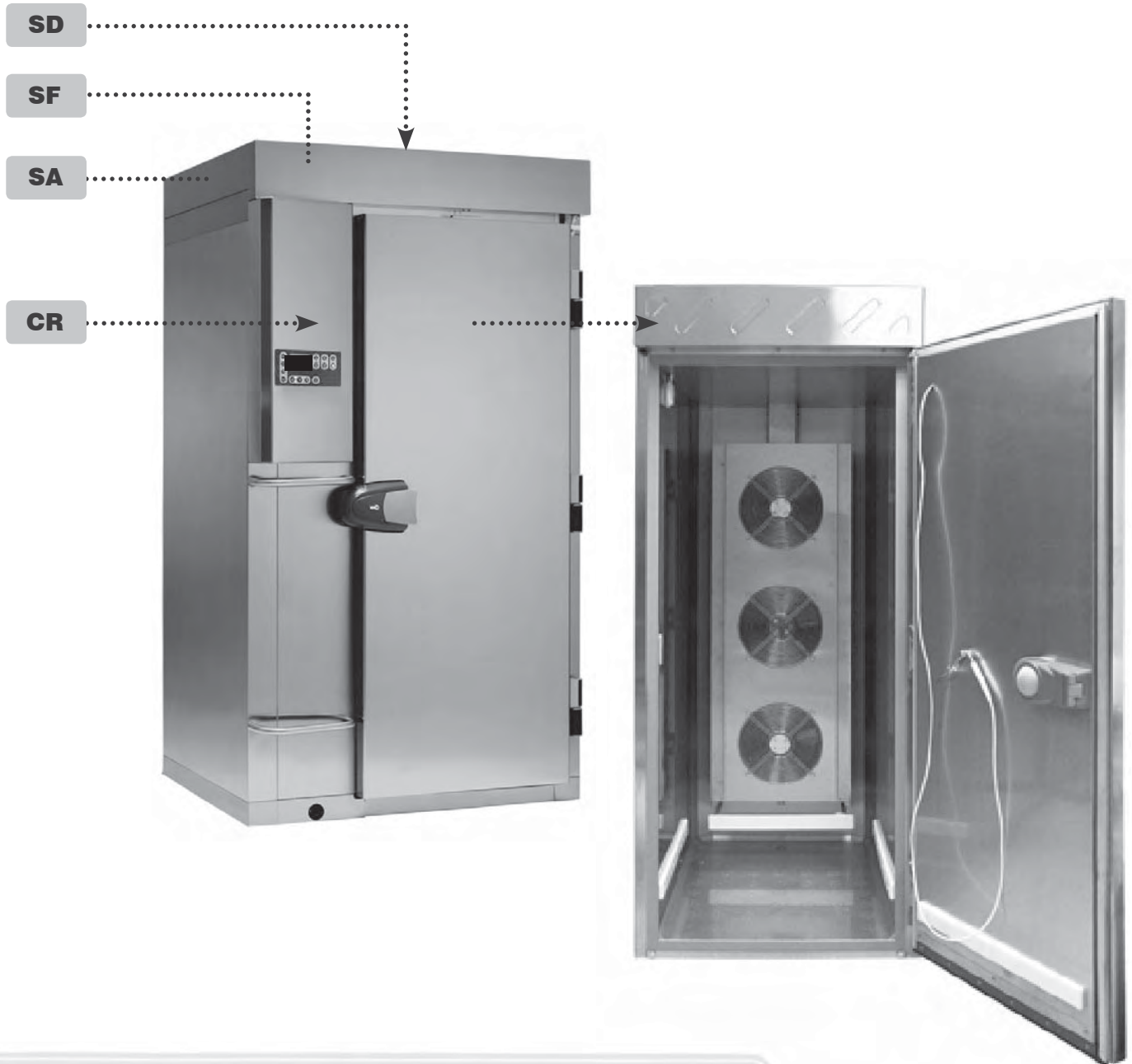
ES **ABATIDORES**
para gastronomia, pasteleria, heladeria

PT **EXPLUDA FREEZER**
para o gastronomia, pastelaria, geleira

GR **ΤΣΙΛΙ ΦΥΣΗΜΑΤΟΣ**
για τη γαστρονομία, ζύμη, παγωτό

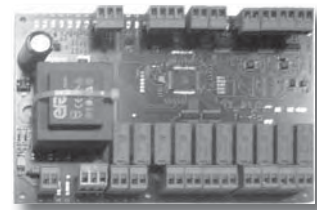


ESU0310HJ





CR - ST



G1T



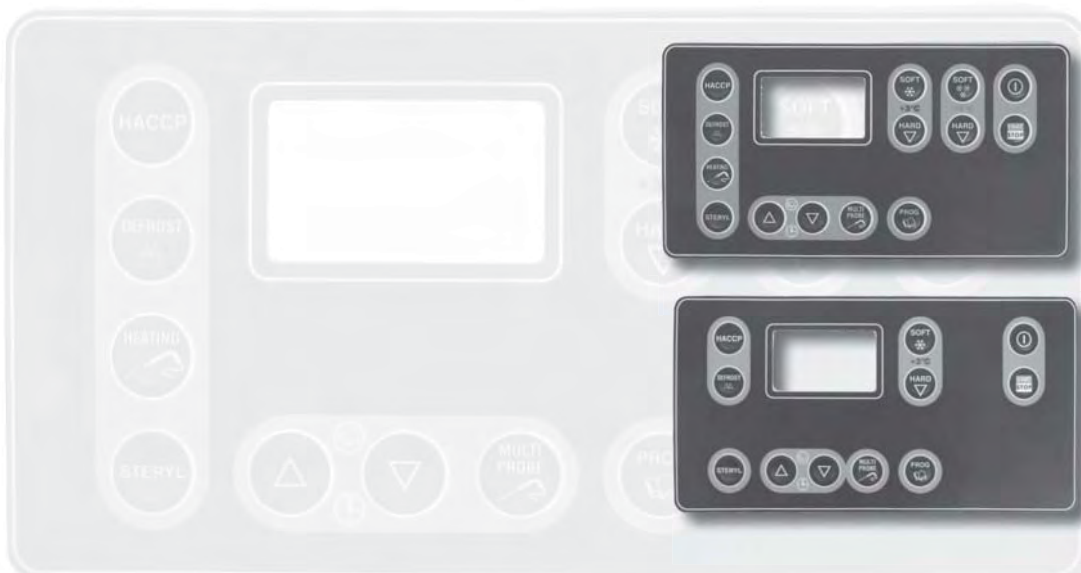
G2



G5

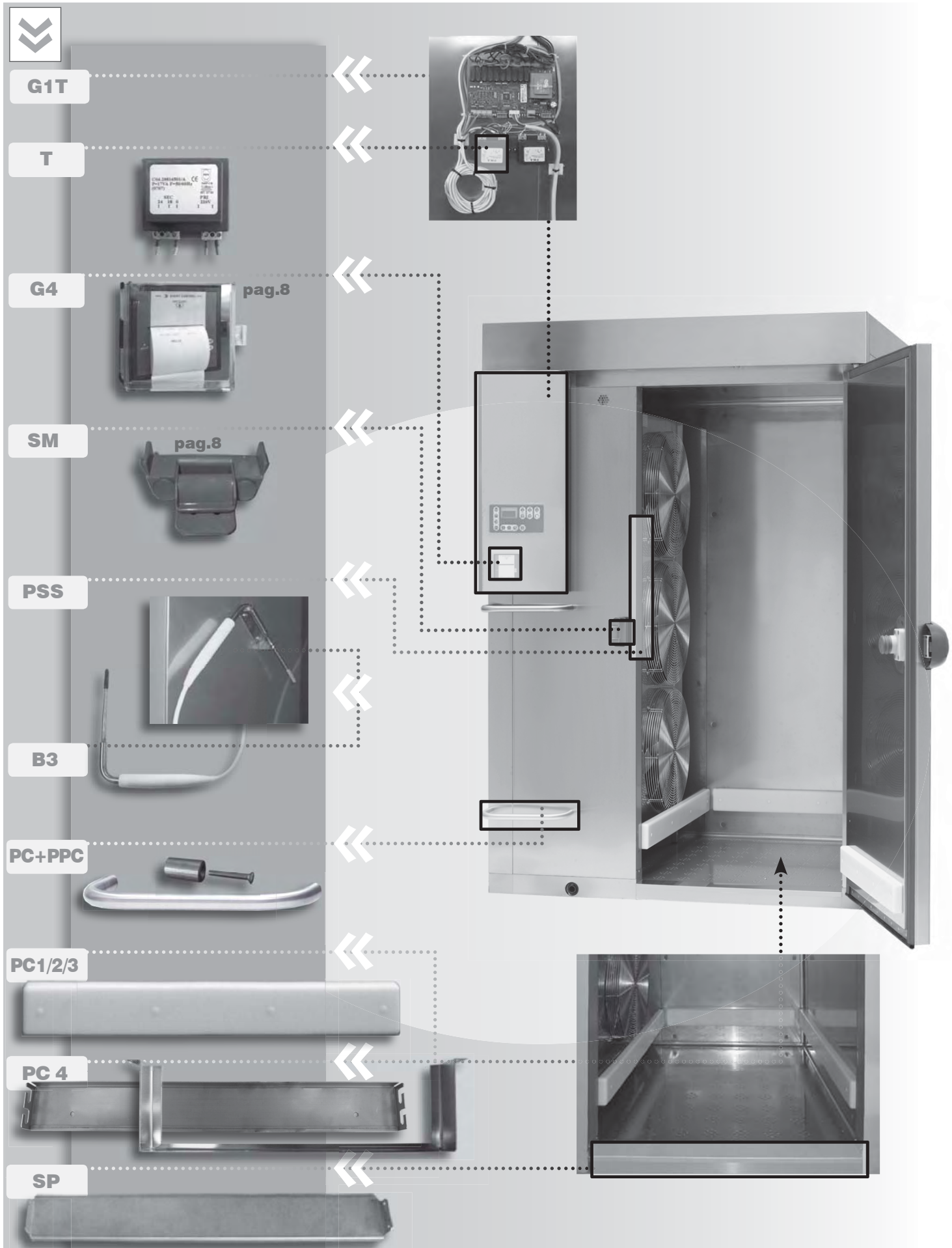


CK



MAS 3

MAS 4





SCE

Y3

K3

FU

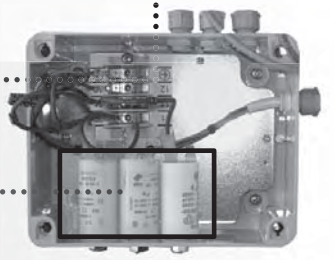
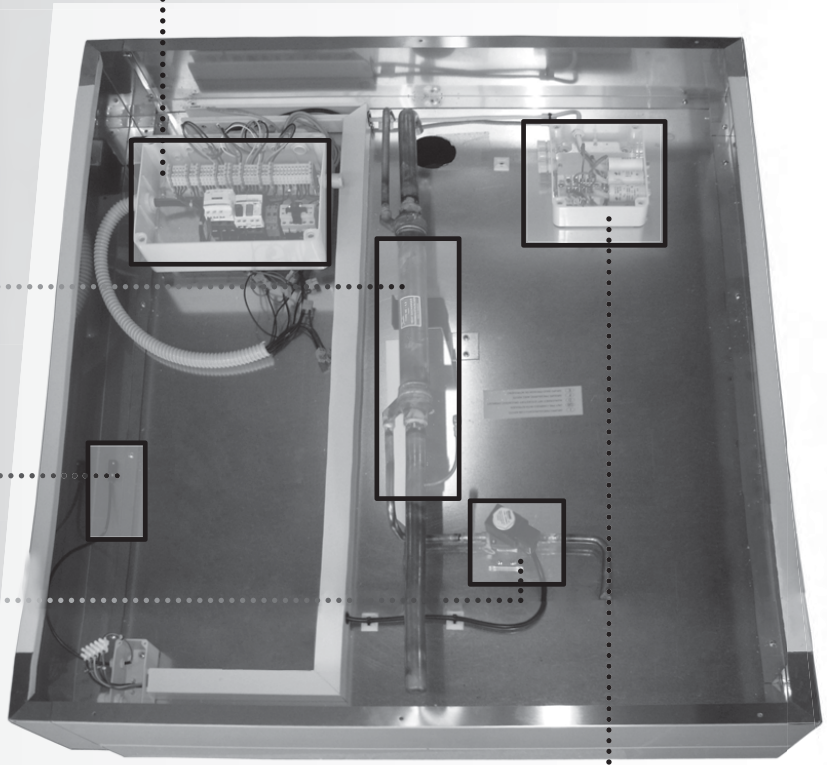
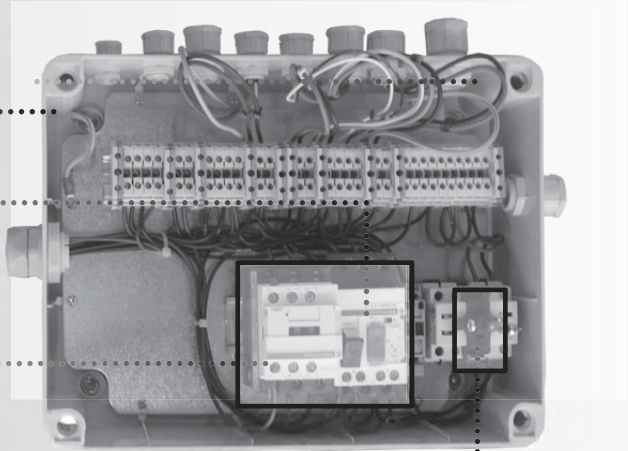
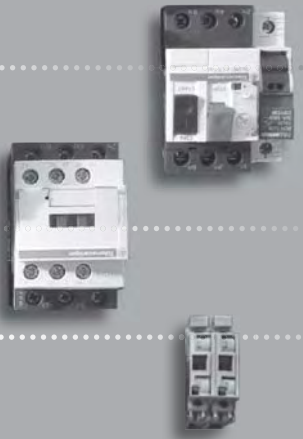
TS

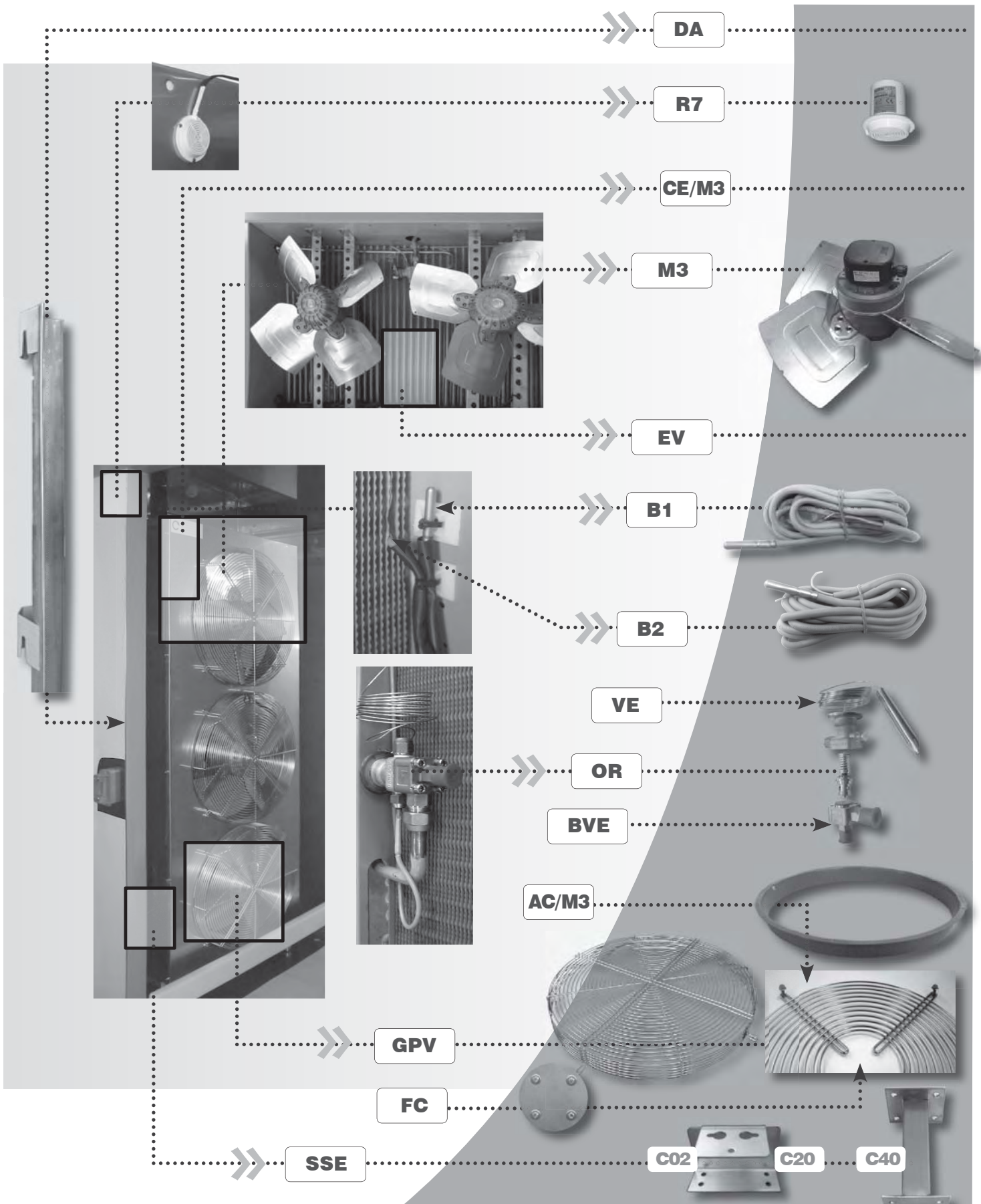
I3

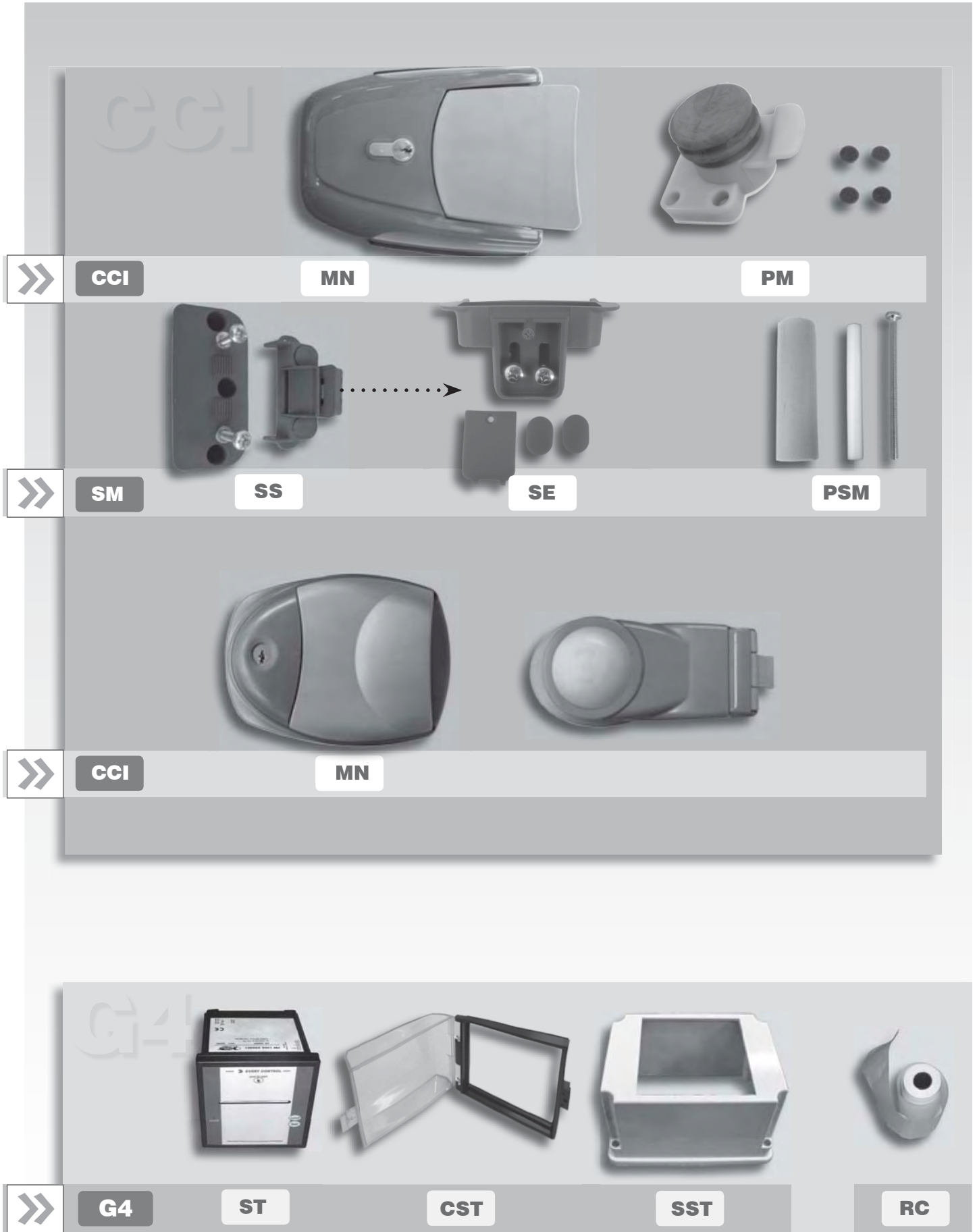
BV+V1

C1

C/M3









BO 8

BO 7

BO 6

BO 5

BO 4

BO 3

BO 2

BO 1



CH



TC1

TC2

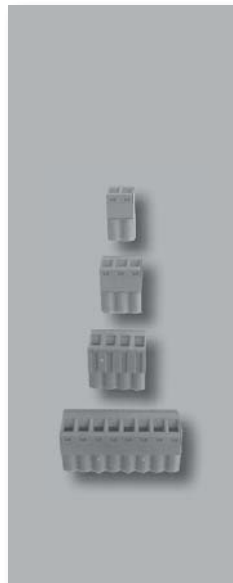


XA

XB

XC

XH




CA



riferim. reference	codice code	descrizione description	modello model	da...a from...to	ricambi cons. rec. spare part
AC/M3	965014	COLLARE CONVOGLIATORE D=500 VENT. ABB. CONVEYOR RING D=500 BC FAN	_C_C40	10/02/09 00/00/00	
AC/M3	965070	COLLARE CONVOGLIATORE D=400 VENTOLE AB CONVEYOR RING	_C_C02 / _D_C40	10/02/09 00/00/00	
AC/M3	965441	COLLARE IN PLASTICA X CONV. D=300 PLASTIC RING FOR CONVEYOR D=300	_D_C02 / C20 MNSC	09/01/08 00/00/00	
B1	995571	SONDA PTC GRIGIA SILIC.L=5000 CELLA PTC PROBE, GREY SILICONED L=5000 CABINET		01/01/95 00/00/00	●
B2	995547	SONDA PTC ROSSA SILIC.L=5000 EVAPOR PTC PROBE, RED SILICONED L=5000 EVAPORATOR		01/01/95 00/00/00	●
B3	965295	SONDA SPILL. PT1000 4 LIV 90° 5000 NON RISC. PIN PROBE PT1000 4 LIV 90° 5000 NO WARM	R_R__T	22/02/07 00/00/00	●
B3	965296	SONDA SPILONE PT1000 4 LIV 90° 5000 RISC. PIN PROBE PT1000 4 LIV 90° 5000 WARM	R_M__T	22/02/07 00/00/00	●
B3	996424	SONDA SPILL.PT1000 1 LIV.NO RIS 90°L=5 PIN PROBE PT1000 1 LIV. 90° 5000 NO WARM	R_R__S	17/11/06 00/00/00	●
B3	996452	SONDA SPILONE PT1000 1 LIV 90° 5000 RISC. PIN PROBE PT1000 1 LIV 90° 5000 WARM	R_M__S	16/01/07 00/00/00	●
BGO	965080	PROF. EST. BATT.GUAR. AB MNSC ORIZ. L806 HORIZ. PROFILE FOR DOOR RABBET BC MNCQ L806	C20 MNSC	01/01/08 00/00/00	
BGV	965081	PROF. EST. BATT.GUAR. AB MNSC VER. L1946 VERTICAL PROF. FOR DOOR RABBET BC MNCQ L1946	C20 MNSC	01/01/08 00/00/00	
BO 1	996533	BOCCOLA PASSACAPO D=08 BUSH D=08		_/_/_ 00/00/00	
BO 2	996534	BOCCOLA PASSACAPO D=12 BUSH D=12		_/_/_ 00/00/00	
BO 3	996535	BOCCOLA PASSACAPO D=14 BUSH D=14		_/_/_ 00/00/00	
BO 4	996536	BOCCOLA PASSACAPO D=19 BUSH D=19		_/_/_ 00/00/00	
BO 5	996588	BOCCOLA PASSACAPO D=23,8 BUSH D=23.8		_/_/_ 00/00/00	
BO 6	996537	BOCCOLA PASSACAPO D=24 BUSH D=24		_/_/_ 00/00/00	
BO 7	996589	BOCCOLA PASSACAPO D=27 BUSH D=27		_/_/_ 00/00/00	
BO 8	996538	BOCCOLA PASSACAPO D=42 BUSH D=42		_/_/_ 00/00/00	
BV	996182	BOBINA HM2 230V 50/60HZ X VALV. SOLENOIDE COIL HM2 230V 50/60HZ FOR SOLENOID VALVE		09/01/03 00/00/00	●
BVE	965752	CORPO VALVOLA TE5 1/2X5/8IN VALVE TE5 1/2X5/8IN		_/_/_ 27/07/09	
C/M3	965315	CONDENSATORE ELETTR. 2,5MF 400V ELECTRIC CONDENSER 2,5MF 400V	> 995870	26/02/07 00/00/00	
C/M3	996342	CONDENSATORE ELETTRICO 4MF/400 VOL ELECTRIC CONDENSER 4MF/400 VOL	> 995849	03/12/05 00/00/00	
C1	965071	KIT SCAT. 3 CONDEN. X VENT. D300-500 MON BOX OF 3 CONDENSER FOR FAN D300-500 MON	_DMC02 / _C_C20 MNSC	01/01/08 00/00/00	
C1	965574	KIT SCATOLA 4 CONDENSATORI X VENT. CE BOX OF 4 CONDENSER FOR FAN COLD ROOM	RDMC02	_/_/_ 00/00/00	
C1	965698	KIT SCATOLA 3 CONDENSATORI X VENT. CE BOX OF 3 CONDENSER FOR COLD ROOM FAN	RCRC02 / _D_C20 MNSC	_/_/_ 00/00/00	
C1	965709	KIT SCATOLA DERIVAZ.VENTIL.TRIFASE CE BRANCH BOX THREE-PHASE FAN COLD ROOM	RCRC40 / PCMC40	_/_/_ 00/00/00	
CA	995420	CAVO ALIMENTAZIONE AR-TR SCHUCO ELECTRIC SUPPLY CABLE AR-TR SCHUCO		01/01/95 00/00/00	
CCI	965180	CHIUSURA CELLE INTERTEC. INTERTECHNICAL LOCK FOR COLD ROOM		16/11/04 00/00/00	
CE/M3	945228	CONVOGLIATORE CELLA AB GN2/1 D=400 CONVEYOR COLD ROOM GN2/1 D=400	_D_C40	14/01/99 11/05/09	
	965075	CONVOGLIATORE CE AB 202DP D=400 R.C. COLD ROOM CONVEYOR 202DP D=400 R.C.		12/05/09 00/00/00	
CE/M3	965576	CONVOGLIATORE CE AB GN1/1 VE300 C/CERN CONVEYOR C.R. GN1/1 FAN 300 WITH SPRINGS	_C_C02	_/_/_ 30/09/09	
	965076	CONVOGLIATORE EVAP. D=400 201AP R.C. EVAPORATOR CONVEYOR D=400 201AP R.C.		01/10/09 00/00/00	

riferim. reference	codice code	descrizione description	modello model	da...a from...to	ricambi cons. rec. spare part
CE/M3	965576	CONVOGLIATORE CE AB GN1/1 VE300 C/CERN CONVEYOR C.R. GN1/1 FAN 300 WITH SPRINGS	_D_C02 / C20 MNSC	_/_/_ 09/01/08	
	965785	CONVOGLIAT.CEAB GN1/1 V300 S/COLL C/CE CONV. C.R. GN1/1 V300 WITHOUT/COLL W/SPR		10/01/08 00/00/00	
CE/M3	965577	CONVOGLIATORE CE AB GN2/1 C/CERNIERE CONVEYOR COLD ROOM GN2/1 WITH SPRINGS	_C_C40	_/_/_ 30/07/09	
	965077	CONVOGLIATORE EVAPOR. D=500 202A R.C. EVAPORATOR CONVEYOIR D=500 202A R.C.		01/08/09 00/00/00	
kit CE/M3	965577	CONVOGLIATORE CE AB GN2/1 C/CERNIERE CONVEYOR COLD ROOM GN2/1 WITH SPRINGS	C40	_/_/_ 16/07/09	
	965073	ASS. PUNT. CONVOGL. 202DP D=400 R.C CONVEYOR ASS. 202DP D=400 R.C.	_D_C40	17/07/09 00/00/00	
	965015	ASS. PUNT. CONV. BC-BF202AP D=500 R.C. CONVEYOIR ASS.. BC-BF202AP D=500 R.C.	_C_C40	17/07/09 00/00/00	
kit CE/M3	965786	KIT CONVOGLIATORE CEAB GN1/1 C/COLL/CE CONVEYOR KIT C.R. GN1/14 WITH COLL.+HINGE	_D_C02 / C20 MNSC	09/01/08 00/00/00	
kit CE/M3	945227	CONVOGLIATORE CELLA AB GN1/1 D=400 CONVEYOR COLD ROOM GN1/1 D=400	_C_C02	22/11/06 16/07/09	
	965074	ASS. PUNT. CONVOGL. 201AP D=400 R.C. CONVEYOR ASS. 201AP D=400 R.C.		17/07/09 00/00/00	
CH	940407	CHIAVE ESAGONALE X CELLE HEXAGONAL KEY FOR COLD ROOM		03/12/05 00/00/00	
CK	996496	BUZZER X SCHEDA EVCO ART.CT1ES00700 EVCO CARD BUZZER ART.CT1ES00700		03/12/05 00/00/00	
CR	945447	ASS. CRUSCOTTO ABB. C20 MNSC HIBER DX/SX RIGHT/LEFT CONTROL PANEL BC C20 MNCQ HIBER	C20 MNSC	_/_/_ 00/00/00	
CR	945448	ASS.CRUS.CE AB SX HIBER TOP STRETT.C/TES LEFT CONTROL PANEL CR BC TOP	C02 / C40	06/04/07 00/00/00	
CR	965748	ASS.CRUS.DX CE AB HIBER TOP STRETTO RIGHT CONTROL PANEL COLD ROOM TOP	C02 / C40	_/_/_ 00/00/00	
CR - ST	965749	ASS.CRUS.DX CE AB HIBER C/FORO X STP RIGHT CONTR. PANEL C.R. HIB WITH PRINT. HOLE	C02 / C40	_/_/_ 00/00/00	
CR - ST	945449	ASS. CRUS. SX CE AB HIBER C/FORO X STP LEFT CONTR. PANEL C.R. HIB WITH PRINT. HOLE	C02 / C40	06/04/07 00/00/00	
CRN	996757	CERNIERA DX CON RAMP M.2810RV4S GRIGIA RIGHT SPRING WITH RAMP M.2810RV4S GREY	C20 MNSC	01/01/08 00/00/00	
CRN 5	935139	SPESSORE MM.10 X CERNIERA MOD.2810RV4S SPRING BRAKE MM 10 MOD.2810RV4S	C20 MNSC	01/01/08 00/00/00	
CRN I	965179	CERNIERA CELLE COLD ROOM SPRING	C02 / C40	16/11/04 00/00/00	
CST	996492	COPERCHIO PLEX.PROTEZ.STP EVCO PLEXIGLASS COVER FOR EVCO PRINTER		02/03/07 00/00/00	
DA	965746	ASSIEME DEFLETTORE ANGOLO CE AB L=1680 CORNER BAFFLE COLD ROOM L=1680		_/_/_ 00/00/00	
EV	945189	EVAPORATORE CELLA AB GN1/1 5 RANGHI EVAPORATOR COLD ROOM GN1/1 5 ROWS	_C_C02 / _C_C20 MNSC	15/09/98 00/00/00	
EV	945189	EVAPORATORE CELLA AB GN1/1 5 RANGHI EVAPORATOR COLD ROOM GN1/1 5 ROWS	_DMC02	15/09/98 21/06/09	
	965589	EVAPORATORE 3 RANGHI CE AB GN1/1 EVAPORATOR COLD ROOM 3 ROWS GN1/1		22/06/09 00/00/00	
EV	945190	EVAPORATORE CELLA AB GN2/1 4 RANGHI EVAPORATOR COLD ROOM GN2/1 4 ROWS	_D_C40	15/09/98 00/00/00	
EV	945191	EVAPORATORE CELLA AB GN2/1 6 RANGHI EVAPORATOR COLD ROOM GN2/1 6 ROWS	_C_C40	15/09/98 19/07/09	
	965017	EVAPORATORE 6R/63T CE AB BC-BF202AP R.C. EVAPORATOR 6R/63T COLD ROOMS BC-BF202AP		20/07/09 00/00/00	
EV	965589	EVAPORATORE 3 RANGHI CE AB GN1/1 EVAPORATOR COLD ROOM 3 ROWS GN1/1	_DRC02 / _D_C20 MNSC	_/_/_ 00/00/00	
FC	996364	FONDELLO COPERTURA ROTORE VENT. D=300 BOTTOM COVERING ROTOR FAN D=300	_C_C02	27/03/06 00/00/00	
FG	936685	PROFILO FIX GUARNIZ.STR.L=730 C20 MNSC PROFILE FIXING GASKET GRAZ. L=730 C20 MNCQ	C20 MNSC	01/01/08 00/00/00	
FG	965591	PROFILO FIX GUARNIZ.STR. L=760 PROFILE FIXING GASKET STR. L=676	C02	_/_/_ 00/00/00	
FG	965592	PROFILO FIX GUARNIZ.STR. L=960 PROFILE FIXING GASKET STR. L=960	C40	_/_/_ 00/00/00	

referim. reference	codice code	descrizione description	modello model	da...a from...to	ricambi cons. rec. spare part
FTF	965593	FISSATUBO FISCHER SCH 16-23 FISHER CLIP SCH 16-23		//_ / 00/00/00	
FU	995897	FUSIBILE 3,153A 5X20 (CONF 10PZ) FUSE 3,153A 5X20	_DRC02 / _DMC02 / _CMC02	01/02/99 / 00/00/00	●
FU	-	FUSIBILE 1A FUSE 1A	_CRC02 / _DRC40 / _CRC40 / _DMC40 / RCMC40	//_ / 00/00/00	●
FU	-	FUSIBILE 4A FUSE 4A	_CRC02 / _DRC40 / _DMC40	//_ / 00/00/00	●
G1 T	996380	SCHEDA POTENZA TOP ABB/CONG. POWER CARD TOP BC/BF		26/05/06 / 12/09/07	●
	996595	SCHEDA POTENZA EVCO AB FRX-HIB C/PWM POWER CARD EVCO BC FRX-HIB C/PWM		13/09/07 / 00/00/00	●
G1 T + G2	996468	ASS.SCHEDA ELET.EVCO TOP HIBE 2°ED.AB/CO ELECTRIC CARD ASS. EVCO TOP HIBER 2ND ED.		06/02/07 / 12/09/07	●
	996597	ASS.SCHEDA ELET.EVCO TOP HIB 2°ED.128K ELECTRIC CARD ASS. EVCO TOP HIBER 2ND ED. 128K		13/09/07 / 00/00/00	●
G2	996385	SCHEDA TASTIERA TOP HIBER ABB/CONG. KEYBOARD CARD TOP HIBER BC/BF		26/05/06 / 12/09/07	●
	996596	SCHEDA TASTIERA EVCO TOP HIB 2°ED.128 KEYBOARD CARD EVCO TOP HIB 2ND EDITION 128K		13/09/07 / 00/00/00	●
G4	990584	KIT STAMPANTE ABB 051 PRINTER KIT BC 051		00/00/00 / 00/00/00	
G5	996606	SCHEDA ESPANSIONE TAGLIO FASE 600W 50H EXPANSION ENCODER CUTTING PHASE 600W 50H		//_ / 00/00/00	●
GPO	945261	GUARNIZIONE PORTA CELLE 860X1960 3LATI DOOR GASKET COLD ROOM 860X1960 3-LA	C40 GN	09/06/06 / 00/00/00	●
GPO	965185	GUARNIZIONE PORTA CE-AB 760*1920 3-LA DOOR GASKET COLD ROOM 760*1920 3-LA	C02 GN 	16/11/04 / 00/00/00	●
GPO	965306	GUAR.PORTA DX 960X2140 3-LAT CE AB RIGHT GASKET DOOR 960X2140 C.ROOM 3 SIDES	C40 EN	//_ / 00/00/00	●
GPO	965857	GUAR.PORTA DX 760X2135 3-LAT CE AB RIGHT GASKET DOOR 760X2135 C.ROOM 3 SIDES	C02 EN	//_ / 00/00/00	●
GPO	975011	NN22 GUARNIZIONE-TRAF.2450-MM.758X1863 NN22 GASKET DOOR 2450-MM.758X1863	C20 MNSC	01/01/08 / 00/00/00	●
GPV	995992	GRIGLIA PROT. VENTILATORE D=400 ABBATT FAN GRID PROTECTION D=400 BLAST CHILLER	_C_C02	14/01/99 / 00/00/00	
GPV	995993	GRIGLIA PROT. VENTILATORE D=500 ABBATT FAN GRID PROTECTION D=500 BLAST CHILLER	_C_C40	14/01/99 / 00/00/00	
GSN	936686	GUARNIZIONE MOD.3350 L=775 C20 MNSC GASKET MOD.3350 L=775 C20 MNCQ	C20 MNSC	01/01/08 / 00/00/00	●
GSN	965623	GUARNIZIONE 3350 PORTA'STR' L=800 GASKET MOD. 3350 NAVAL 'STR' DOOR L=800	C02	//_ / 00/00/00	●
GSN	965624	GUARNIZIONE 3350 PORTA'STR' L=1000 GASKET MOD. 3350 NAVAL 'STR' DOOR L=1000	C40	//_ / 00/00/00	●
I3	995405	MICROPORTA MAGNETICO STEM E510 MAGNETIC MICRO-SWITCH STEM E510		01/01/95 / 00/00/00	●
K3	996465	CONTATTORE LC1D09 TELEMECANIQUE 230V CONTACTOR LC1D09 TELEMECANIQUE 230V	_DRC02 / _DMC02 / _C_C40	//_ / 00/00/00	
M3	965858	VENT.ROTOMAT.D500 6P 230/1/50-60 EV. FAN ROTOMAT. D500 6P 230/1/50-60	_C_C40 EN	14/02/08 / 00/00/00	●
M3	995849	VENTILATORE EVAPORATORE D=400 MONOFASE EVAPORATOR FAN D=400 MONO-PHASIC	_C_C02 / _D_C40	20/03/01 / 00/00/00	●
M3	995870	VENTILATORE EVAPORATORE D=300 MONOFASE EVAPORATOR FAN D=300 MONO-PHASIC	_D_C02 / C20 MNSC	29/01/07 / 00/00/00	●
M3	996678	VENT.ROTO D500 6P400V R13R-5035A-6T-503 EVAPORATOR FAN D500 6P400V R13R-5035A-6T-503	_C_C40 GN	11/12/06 / 00/00/00	●
MAS 3	996445	MASCHERINA COMANDI "T" HBR 2 EDIZ. CONTROL PANEL "T" HBR 2ND EDITION	TOP mista	08/01/07 / 00/00/00	
MAS 4	965427	MASCHERINA COMANDI "T" POS. HBR CONTROL PANEL "T" POS. HBR	TOP positiva	//_ / 00/00/00	
MN	945624	MANIGLIA ESTERNA GRIGIA EXTERNAL HANDLE DOOR GREY	C02 / C40	//_ / 00/00/00	
MN	945810	SERRAT.S=61/80 MOD.5225AB C/SBLOCC.CEMI LOCK S=61/80 MOD.5225AB WITH LOCKING CEMI	C20 MNSC	01/01/08 / 00/00/00	
OR	995865	ORIFIZIO TES5 N°1 DANFOSS N°1 ORIFICE TES5 DANFOSS	_CRC02 / _MC02 / _RC40 / _DMC40	15/09/98 / 28/07/09	

referim. reference	codice code	descrizione description	modello model	da...a from...to	ricambi cons. rec. spare part
OR	995866	ORIFIZIO TES5 N°2 DANFOSS N°2 ORIFICE TES5 DANFOSS	_DMC40	15/09/98 28/07/09	
OR	996268	ORIFIZIO N°06 ODF DANFOSS N°6 ORIFICE ODF DANFOSS	_DRC02	07/09/04 23/07/09	
PC	965702	PARACOLPI EST.CRUSCOTTO CE AB HI EXT. BUMPER FOR CONTR. PANEL C.ROOM HIBER		_/_/_ 00/00/00	
PC 1	945549	PARACOLPI PORTA L=830 CE AB GN2/1 DOOR BUMPER L=830 COLD ROOM GN2/1	C40 EN	_/_/_ 00/00/00	
PC 1	965633	PARACOLPI PORTA L= 630 CE AB GN1/1 S= DOOR BUMPER L= 630 COLD ROOM GN1/1	C02	_/_/_ 00/00/00	
PC 1	965634	PARACOLPI PORTA L= 730 CE AB GN2/1 S= DOORBUMPER L= 730 COLD ROOM GN2/1	C40	_/_/_ 00/00/00	
PC 2	945550	PARACOLPI LATO L=1000 CE AB GN2/1 SIDE BUMPER L= 1000 COLD ROOM GN2/1	C40	14/06/06 00/00/00	
PC 2	965086	PARACOLPI LATERALE 670X60X15 C20 MNSC SIDE BUMPER 670X60X15 C20 MNSC	C20 MNSC	_/_/_ 00/00/00	
PC 2	965625	PARACOLPI LATO L= 800 CE AB GN1/1 SIDE BUMPER L= 800 COLD ROOM GN1/1	C02	_/_/_ 00/00/00	
PC 2	965765	PARACOLPI LATO L=1100 CE AB GN2/1 SIDE BUMPER L=1100 COLD ROOM GN2/1	C40 EN	_/_/_ 00/00/00	
PC 2	965766	PARACOLPI LATO L= 700 CE AB GN1/1 SIDE BUMPER L= 700 CE COLD ROOM GN1/1 S=	C02 EN	_/_/_ 00/00/00	
PC 3	965087	PARACOLPI POSTER. 570X60X15 C20 MNSC REAR BUMPER 570X60X15 C20 MNSC	C20 MNSC	_/_/_ 00/00/00	
PC 4	965088	SUPPORTO PARACOLPI C20 MNSC BUMPER HOLDER C20 MNCQ	C20 MNSC	_/_/_ 00/00/00	
PC 4	965626	TRAVERSA L= 840 FIX PARACOLPI AB GN1/1 CROSS FRAME L= 840 FIXING BUMPER C.R. GN1/1	C02	_/_/_ 00/00/00	
PC 4	965632	TRAVERSA L=1040 FIX PARACOLPI AB GN2/1 CROSS FRAME L= 1040 FIX. BUMPER C.R. GN2/1	C40	_/_/_ 00/00/00	
PC 4	965763	TRAVERSA L=1140 FIX PARACOLPI CE AB PC CROSS FRAME L=1140 FIX BUMPER C.ROOM PC	C40 EN	_/_/_ 00/00/00	
PC 4	965764	TRAVERSA L= 740 FIX PARACOLPI AB GN1/1 CROSS FRAME L= 740 FIX BUMPER BC GN1/1	C02 EN	_/_/_ 00/00/00	
PM	945561	PULSANTE INT. MANIGLIA SERIE 7000 FOSF INTERNAL HANDLE PUSH-BUTTON 7000 SERIES		04/08/06 00/00/00	
PO	965189	PORTA CELLA AB 760*1920 DX S=80 RIGHT DOOR COLD ROOM AB 760*1920 S=80	C02 GN SP	_/_/_ 00/00/00	
PO	965627	PANN AB-CE PORTA DX 860X1935 S=60 RIGHT DOOR COLD ROOM 860X1935 S=60	C40 GN CR	_/_/_ 00/00/00	
PO	965628	PANN AB-CE PORTA DX 860X1920 S=60 RIGHT DOOR COLD ROOM 860X1920 S=60	C40 GN SR	_/_/_ 00/00/00	
PO	965629	PANN AB-CE PORTA SX 760X1935 S=80 LEFT DOOR COLD ROOM 760X1935 S=80	C02 GN CR	_/_/_ 00/00/00	
PO	965859	PANN AB-CE PORTA 960X2140 PC40 DX RIGHT DOOR C.R. 960X2140 PC40	C40 EN CP	_/_/_ 00/00/00	
PO	965860	PANN AB-CE PORTA 960X2140 PC40 SX LEFT DOOR C.R. 960X2140 PC40	C40 EN CP	_/_/_ 00/00/00	
PO	965861	PANN PORTA 760X2140 S=80 PCMC02T DX RIGHT DOOR 760X2140 S=80 PCMC02T	C02 EN CP	_/_/_ 00/00/00	
PO	965862	PANN PORTA 760X2140 S=80 PCMC02T SX LEFT DOOR 760X2140 S=80 PCMC02T	C02 EN CP	_/_/_ 00/00/00	
PO	945451	ASS. PORTA 805X1905 DX C20 MNSC RIGHT DOOR 805X1905 C20 MNSC	C20 MNSC	_/_/_ 00/00/00	
PPC	996192	ASS.PERNO FIX. PARACOLPI CRUSCOTTO PIN FIXING CONTROL PANEL BUMPER		_/_/_ 00/00/00	
PSM	945605	PERNI SP.PORTA 80 INTERTECNICA S.70 SHIM PINS DOOR 80 INTERTECHNICAL S.70		03/03/03 00/00/00	
PSS	965065	SQUADRETTA SUPP.SONDA AL CUORE DX RIGHT BEARING HEARTH PROBE PLATE		18/03/02 00/00/00	
PSS	965066	SQUADRETTA SUPP. SONDA AL CUORE SX LEFT BEARING HEARTH PROBE PLATE		18/03/02 00/00/00	
Q1	-	RELE MATSUSHITA 60302M HE2AN AC240 V 25A RELAY MATSUSHITA 60302M HE2AN AC240 V 25A	_CRC02 / _DRC40 / _DMC40	_/_/_ 00/00/00	●
Q1	-	RELE FINDER 466182300020 1 NO 230 16A-FASTON RELAY FINDER 466182300020 1 NO 230 16A-FASTON	_CRC02 / _DRC40 / _DMC40	_/_/_ 00/00/00	●

riferim. reference	codice code	descrizione description	modello model	da...a from...to	ricambi cons. rec. spare part
R1	925294	RESISTENZA CORNICE TR 3/7 FRAME HEATER TR 3/7	C20 MNSC	01/01/08 00/00/00	●
R1	965181	RESISTENZA C.PORTA L=5160 CE ABB 12W FRAME HEATER DOOR COLD ROOM L=5160 12W	C02 GN	16/11/04 00/00/00	●
R1	965182	RESISTENZA C.PORTA L=5560 CE ABB 12W FRAME HEATER DOOR L=5560 COLD ROOM 12W	C02 EN / C40 EN SP	16/11/04 00/00/00	●
R1	965184	RESISTENZA C.PORTA L=5360 CE RAT 12W/M FRAME HEATER DOOR L=5360 RAT C. ROOM 12W/M	C40 GN	01/01/08 00/00/00	●
R1	995583	RESISTENZA ANTICOND.PORTE 2060X1060 ANTICOND. DOOR RESISTANCE 2060X1060	C40 EN CP	01/01/08 00/00/00	●
R7	995867	VALVOLA COMPENSAZIONE MINIELEBAR BT COMPENSATION VALVE MINIELEBAR BT	_M	_/_/_ 00/00/00	●
R7	995867	VALVOLA COMPENSAZIONE MINIELEBAR BT COMPENSATION VALVE MINIELEBAR BT	_R	_/_/_ 14/06/09	●
RC	996493	ROLOLO CARTA X STAMPANTE EVCO PM100AX9 ROLL OF PRINTER PAPER EVCO PM100AX9		_/_/_ 00/00/00	
SA	945547	SOPRALZO ANGOLO 1200X100 CE AB GN2/1 ANGULAR TOP-PANEL L=1200X100 C.ROOM GN2/1	C40 GN	31/05/06 00/00/00	
SA	965613	ASSIEME SOPRALZO ANGOLO L= 900*100 CEL ANGULAR TOP-PANEL L= 900X100 COLD ROOM	C02 EN	_/_/_ 00/00/00	
SA	965706	ASS.SOPRALZO ANGOLO L=1000X100 CE AB ANGULAR TOP-PANEL L=1000X100 COLD ROOM	C02 GN	_/_/_ 00/00/00	
SA	965759	ASS.SOPR.ANG.L=1300X100 CE AB PC40 ANGULAR TOP-PANEL L=1300X100 C.ROOM PC40	C40 EN	_/_/_ 00/00/00	
SCE	965610	QUADRO Elett.MONOFASE 1,6-2,5A EVCO 4V MONOPHASIC ELECTRIC BOARD 1,6-2,5A EVCO 4V	_D_C02 / C20 MNSC	_/_/_ 31/12/07	
	965960	QUADRO ELE.MONO.FU=4A+RELE 3X400-3X300 MONOPHASIC EL.BOARD FU=4A+RELAY 3X400-3X300		01/01/08 00/00/00	
SCE	965611	QUADRO Elett.TRIFASE 2,5-4 A THREE-PHASE ELECTRIC BOARD 2,5-4 A	_C_C40	_/_/_ 00/00/00	
SCE	965762	QUADRO Elett.MONOF.2,5-4A CE AB EVCO 3 MONOPHASIC ELECT. BOARD 2,5-4A CE AB EVCO 3	_C_C02	_/_/_ 31/03/09	
	965960	QUADRO ELE.MONO.FU=4A+RELE 3X400-3X300 MONOPHASIC EL.BOARD FU=4A+RELAY 3X400-3X300		01/04/09 00/00/00	
SCE	965952	QUADRO Elett.MONO.4-6,3A EVCO 3XVEN50 MONOPHASIC EL.BOARD 4-6,3A EVCO 3XVEN50	_D_C40	_/_/_ 10/08/09	
	965960	QUADRO ELE.MONO.FU=4A+RELE 3X400-3X300 MONOPHASIC EL.BOARD FU=4A+RELAY 3X400-3X300		11/08/09 00/00/00	
SD	965614	SOPRALZO DIRITTO L=1000 CELLE ABB. STRAIGHT TOP-PANEL L=1000 COLD ROOM	C02	_/_/_ 00/00/00	
SD	965615	SOPRALZO DIRITTO L=1400 CELLE ABB. STRAIGHT TOP-PANEL L=1400 COLD ROOM	C40 EN	_/_/_ 00/00/00	
SD	965711	SOPRALZO DIRITTO L=1300 MM CE AB STRAIGHT TOP-PANEL L=1300 MM COLD ROOM	C40 GN	_/_/_ 00/00/00	
SE	945559	SCROCCO ESTERNO CHIUSURA EXTERNAL SPRING LOCK		31/07/06 00/00/00	
SF	965616	ASSIEME SOPR.ANT.DX L=1600X190 CE AB FRONTAL RIGHT TOP-PANEL L=1600X190 C.ROOM	C40 EN	_/_/_ 00/00/00	
SF	965783	ASSIEME SOPRALZO ANT.DX L=1500X190 CE FRONTAL RIGHT TOP-PANEL L=1500X190 C.ROOM	C40 GN	_/_/_ 00/00/00	
SF	990490	ASSIEME SOPRALZO ANT.DX L=1200X190 CEL FRONTAL RIGHT TOP-PANEL L=1200X190 C.ROOM	C02	25/05/06 00/00/00	
SP	965223	SOGLIA PORTA DA 700 CELLE ABBA EXT. THRESHOLD DOOR 700 COLD ROOM	C02 GN	06/02/06 00/00/00	
SP	965760	SOGLIA SPECIALE L=900 S=80 EXT. THRESHOLD DOOR L=900 S=80 15/10	C40 EN	_/_/_ 00/00/00	
SP	965761	SOGLIA SPECIALE PORTA EST.S=80 L=700 EXT. THRESHOLD DOOR S=80 L=700	C02 EN	_/_/_ 00/00/00	
SP	996620	SOGLIA SPECIALE PORTA EST.S=80 L=800 EXT. THRESHOLD DOOR S=80 L=800	C40 GN	_/_/_ 00/00/00	
SS	945503	SPESSORE SCROCCO 30 INTERTECNICA S.70 SHIM SPRING LOCK 30 INTERTECHNICAL S.70		10/11/05 00/00/00	
SSE	965618	STAFFA SUPPORTO EVAPORAT.CELLA AB GN1/ RIGHT/LEFT FRAME EVAPORATOR B. CHILLER 051	C02	_/_/_ 22/07/09	
	965072	STAFFA SUPPORTO EVAPORATORE CE AB 201 FRAME EVAPORATOR SUPP. COLD ROOM 201		23/07/09 00/00/00	

referim. reference	codice code	descrizione description	modello model	da...a from...to	ricambi cons. rec. spare part
SSE	965091	STAFFA SUPPORTO EVAPORATORE C20 MNSC FRAME BEARING EVAPORATOR C20 MNCQ	C20 MNSC	01/01/08 00/00/00	
SSE	965619	SUPPORTO VENTILATORE EVAP.CELLA AB GN2 FRAME BEARING EVAPOR. FAN COLD ROOM GN2	C40	__/_/ 00/00/00	
SST	965568	SCATOLA PER STAMPANTE ABB051 PRINTER BOX BLAST CHILLER 051		__/_/ 00/00/00	
ST	996415	STAMPANTE PER SCHEDA EVCO PRINTER FOR EVCO ENCODER		03/11/06 00/00/00	
T	990319	TRASFORMATORE 230/24V 17VA 50/60HZ TRANSFORMER 230/24V 17VA 50/60HZ	__M	08/09/00 00/00/00	
TC1	945094	TAPPO CHIUDIFORO D=19 BIANCO PLUG COVERING CAP D=19 WHITE	C40	29/06/00 00/00/00	
TC1	965712	TAPPO CHIUDIFORO D=10 BIANCO PLUG COVERING CAP D=10 WHITE	C20 MNSC	__/_/ 00/00/00	
TC2	945283	TAPPO CHIUDIFORO D=19 GRIGIO PLUG COVERING CAP D=19 GREY	C02	29/06/00 14/06/09	
	945094	TAPPO CHIUDIFORO D=19 BIANCO PLUG COVERING CAP D=19 WHITE		15/06/09 00/00/00	
TS	965620	SCAMBIATORE HE 1.5 ASP18-MAN12 CELLA EXCHANGER HE 1.5 ASP18-MAN12 COLD ROOM	__MC02 / __RC20 MNSC	__/_/ 00/00/00	
TS	965620	SCAMBIATORE HE 1.5 ASP18-MAN12 CELLA EXCHANGER HE 1.5 ASP18-MAN12 COLD ROOM	__RC02	__/_/ 30/07/09	
TS	965621	SCAMBIATORE HE 4.0 ASP28-MAN12 CELLA A EXCHANGER HE 4.0 ASP28-MAN12 COLD ROOM	__MC40	__/_/ 00/00/00	
TS	965621	SCAMBIATORE HE 4.0 ASP28-MAN12 CELLA A EXCHANGER HE 4.0 ASP28-MAN12 COLD ROOM	__RC40	__/_/ 30/07/09	
V1	995868	VALVOLA SOLENOIDE 1/2' 1078/M12S 24V SOLENOID VALVE 1/2' 1078/M12S 24V		01/02/99 00/00/00	●
VE	995863	VALV.TERMOSTAT.'TES5'(-40-5) MOP0 R404 THERMOSTATIC VALVE 'TES5'(-40-5) MOP0 R404	RCRC02 / R_RC40 / PDRC40	15/09/98 27/07/09	
	996821	VALV.TERM.SPORLAN BBISE4SC 3/8-1/2 R404A THERM. VALVE SPORLAN BBISE4SC 3/8-1/2 R404A	RCRC02 / PDRC40 / __CRC20 MNSC	28/07/09 00/00/00	
	996823	VALV.TERM.SPORL BBISE6SC 1/2-5/8 R404A THERM. VALVE SPORL BBISE6SC 1/2-5/8 R404A	R_RC40	28/07/09 00/00/00	
VE	995864	VALV.TERMOST.'TES5'(-40-15) MOP-10 R40 THERMOSTATIC VALVE 'TES5'(-40-15) MOP-10 R40	__MC02 / R_MC40 / PDMC40 PCMC40	15/09/98 27/07/09	
	996820	VALV.TERM.SPORLA BBISE4SZP 3/8-1/2 R404A THERM. VALVE SPORLA BBISE4SZP 3/8-1/2 R404A	__MC02 / __MC20 MNSC	28/07/09 00/00/00	
	996822	VALV.TERM.SPORL BBISE6SZP 1/2-5/8 R404A THERM. VALVE SPORL BBISE6SZP 1/2-5/8 R404A	R_MC40 / PDMC40	28/07/09 00/00/00	
	996823	VALV.TERM.SPORL BBISE6SC 1/2-5/8 R404A THERM. VALVE SPORL BBISE6SC 1/2-5/8 R404A	PCMC40	28/07/09 00/00/00	
VE	996258	VALV.TES2 68Z3442 ODF -40-5 MOP 0 R4 VALVE TES2 68Z3442 ODF -40-5 MOP 0 R4	__DRC02 / __DRC20 MNSC	07/09/04 23/07/09	
	996819	VALV.TERM.SPORL BBISE3SC 3/8-1/2 R404A THERM. VALVE SPORL BBISE3SC 3/8-1/2 R404A		24/07/09 00/00/00	
XA	965525	MORSETTO PHOENIX MSTB 2,5/2-ST PAS=5 PHOENIX TERMINAL MSTB 2,5/2-ST PAS=5		__/_/ 00/00/00	
XB	965526	MORSETTO PHOENIX MSTB 2,5/3-ST PAS=5 PHOENIX TERMINAL MSTB 2,5/3-ST PAS=5		__/_/ 00/00/00	
XC	996591	MORSETTO PHOENIX MSTB 2,5/4-ST PAS=5 PHOENIX TERMINAL MSTB 2,5/4-ST PAS=5		__/_/ 00/00/00	
XH	965528	MORSETTO PHOENIX MSTB 2,5/8-ST PAS=5 PHOENIX TERMINAL MSTB 2,5/8-ST PAS=5		__/_/ 00/00/00	
Y3	965322	TERMICA MOELLER ZB12-12 THERMAL RELAY ZB12-12	C	26/02/07 00/00/00	●
Y3	996547	TERMICA MOELLER ZE 6,0 (4-6A) THERMAL RELAY ZE 6,0 (4-6A)	D	__/_/ 00/00/00	●

U.M.C

IT **UNITÀ di CONDENSAZIONE**
ad aria e ad acqua

GB **REMOTE UNITE**
to air and water

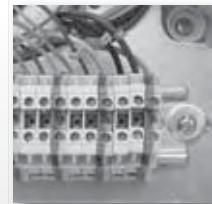
DE **FERNAGGREGAT**
an luft und an wasser

FR **GROUP à DISTANCE**
à l'air et à l'eau

ES **UNIDAD ALEJADA**
a aire y de agua

PT **UNIDADE REMOTA**
ao ar e à água

GR **ΜΑΚΡΙΝΗ ΟΜΑΔΑ**
στον αέρα και με νερό

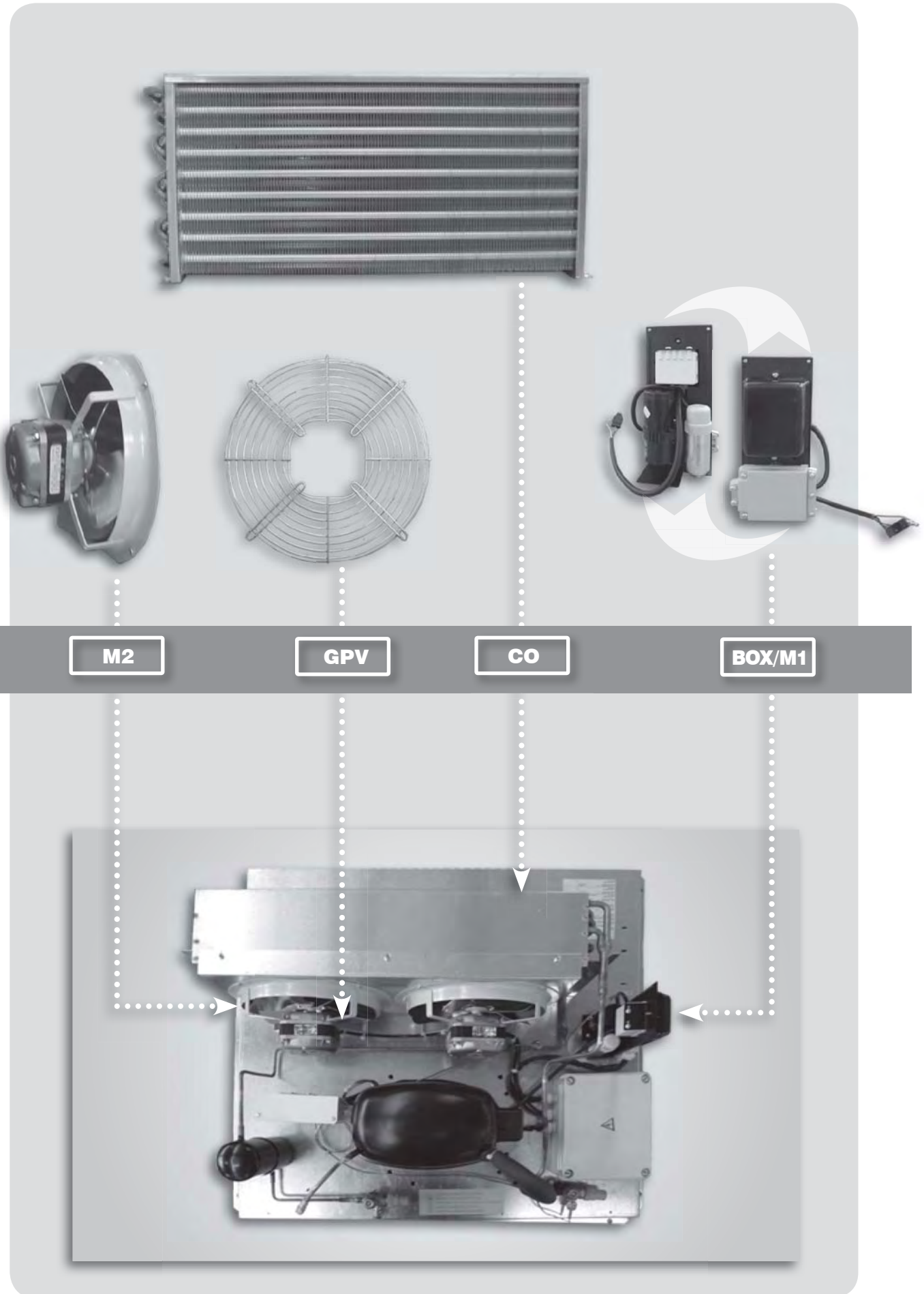


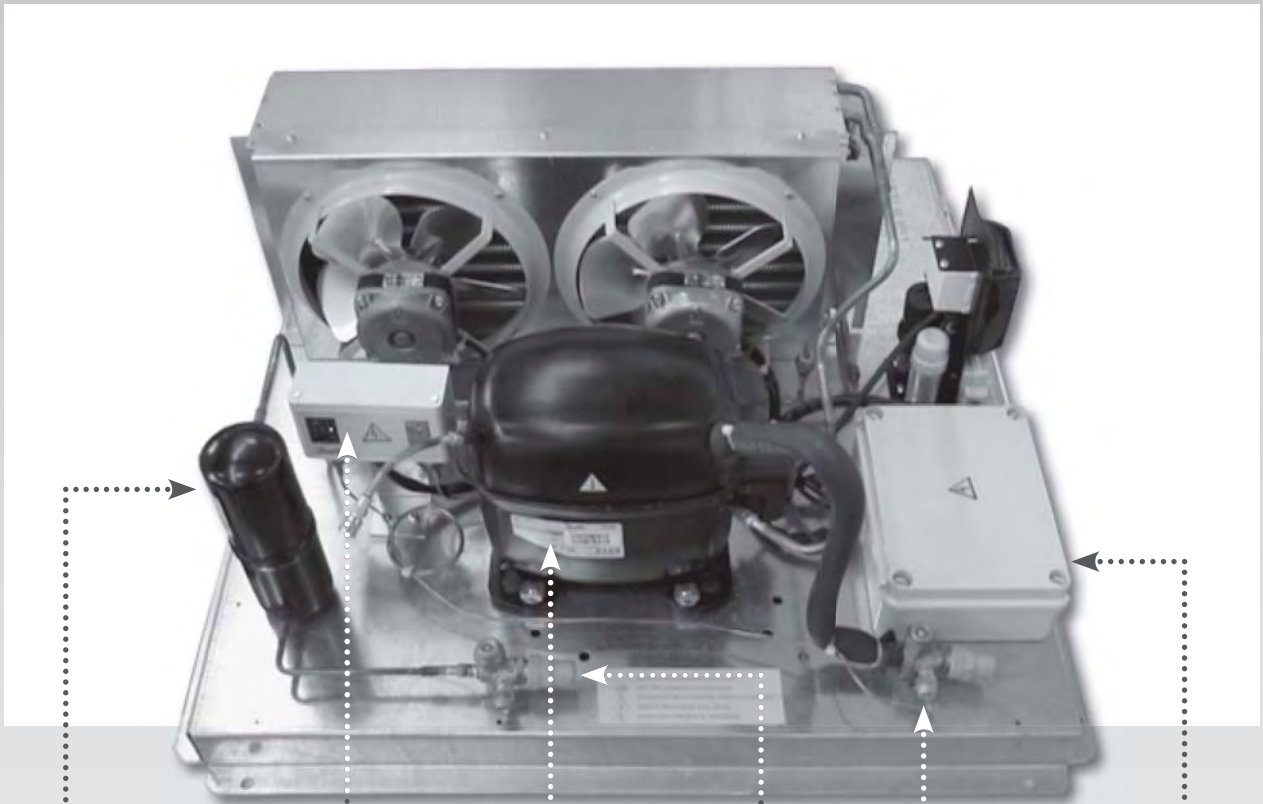
USCITA H₂O
OUTLET
SORTIE
AUSGANG



U.M.C.		CE
MODELLO	UNITA' MOTTO	
CODICE	330340	
MATRICE	FR0710000001	2007
ALIMENTAZIONE	V-170V	400/3/50 Hz
ABBONDIRMENTO	A max 3,2	W max 7,376
CLASSE CLIMATICA	II	PERIODO M
PIU' FRECCOPRESA	M	C. min. °C
REFRIGERANTE	R, 940	Temp. Min.
REFRIGERANTE	R502A	-25,0
PIU' FRECCOPRESA	M	C. min. °C
REFRIGERANTE		Temp. Min.

ESG0010BJ





RL



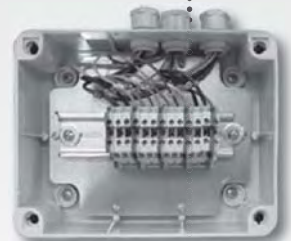
P



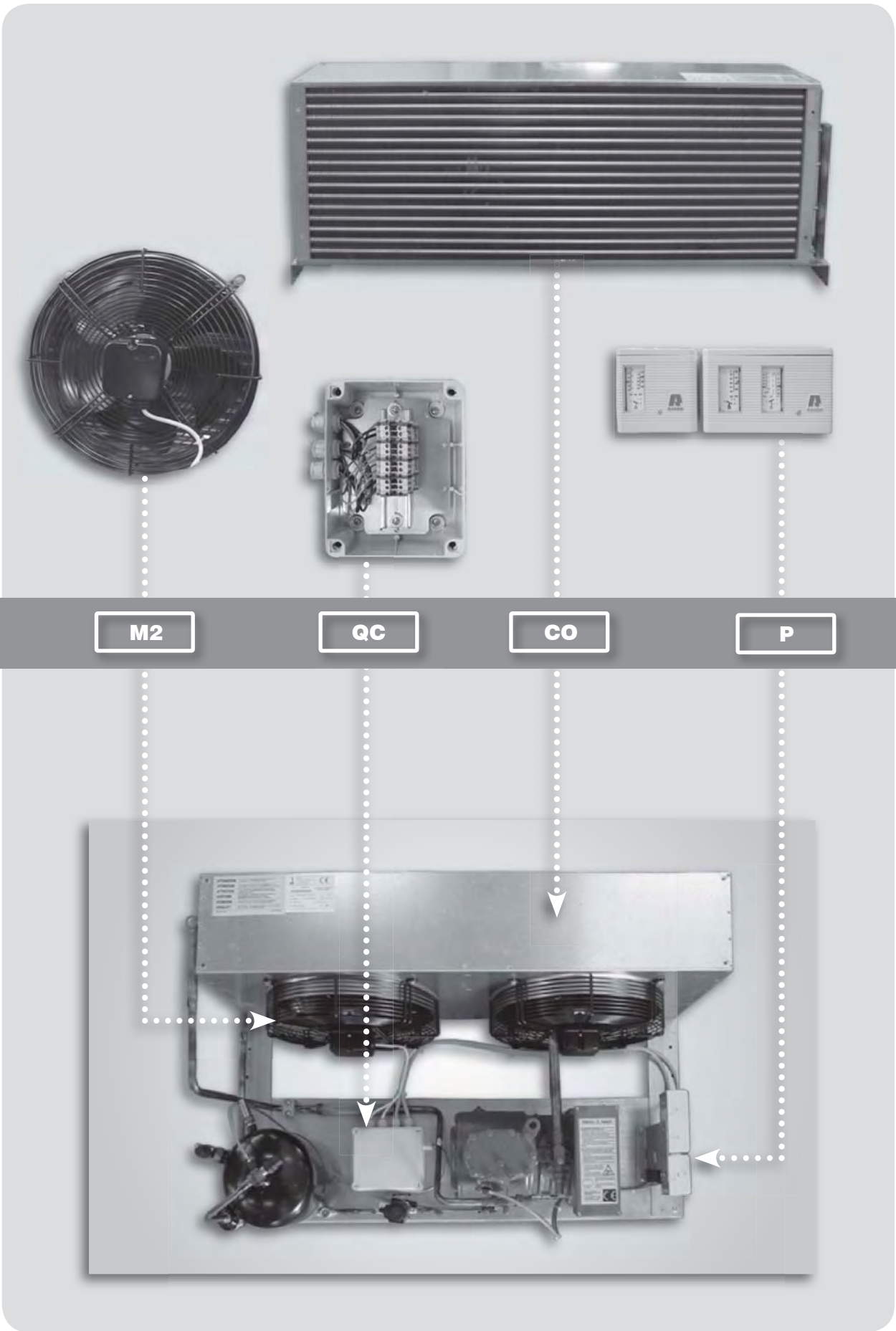
M1

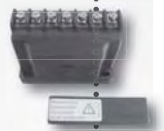
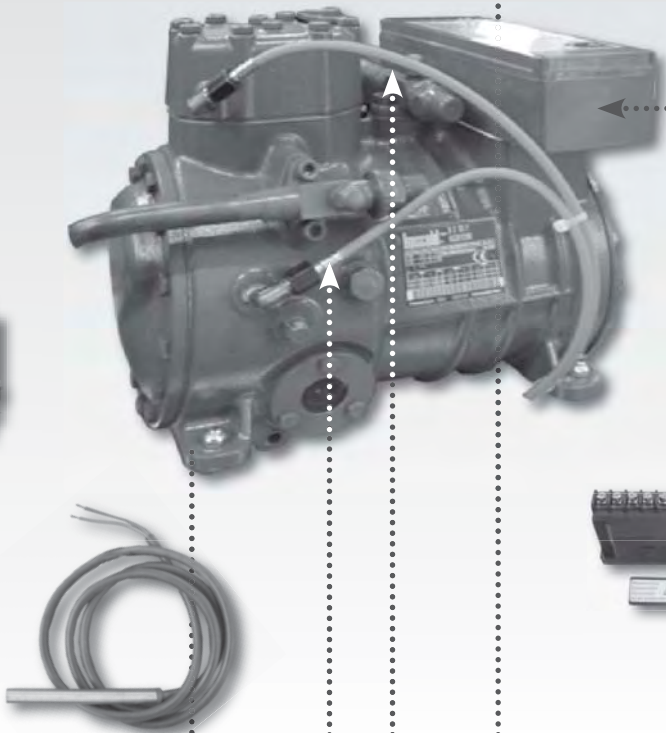
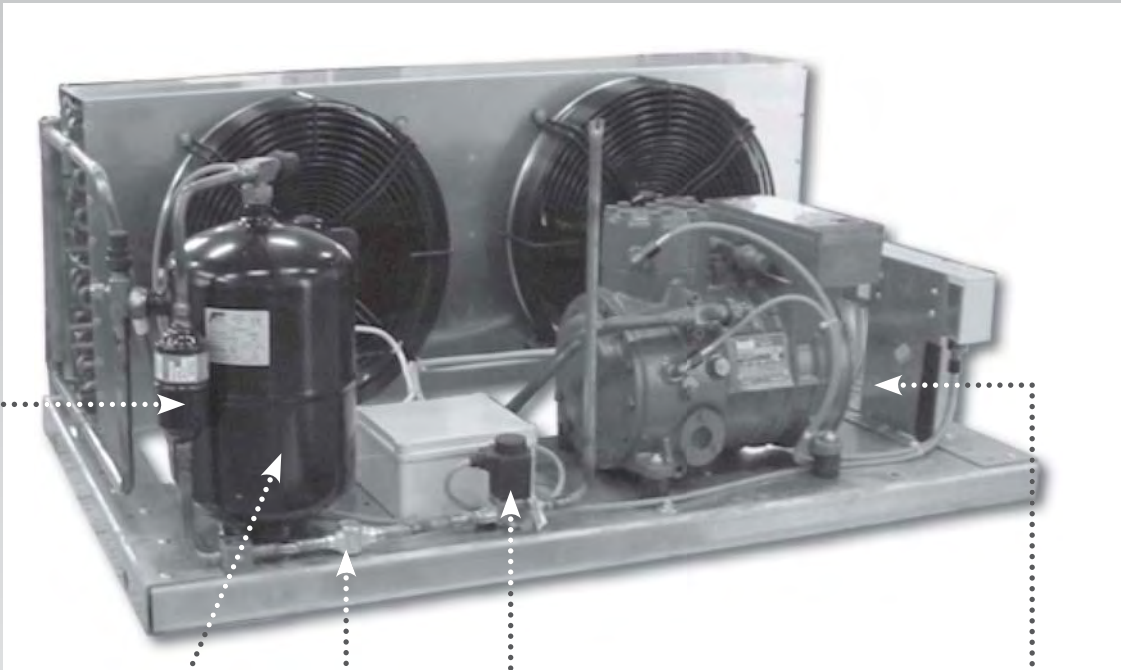


R



QC





F

RL

SPL

BV+V1

R5

TT

M1

Q3



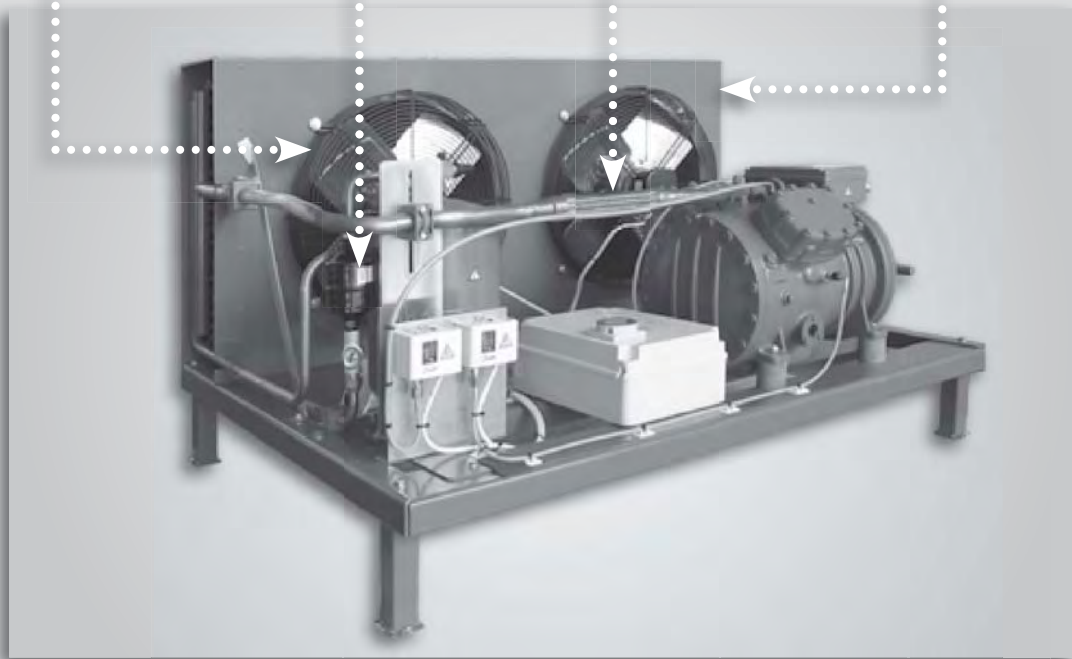
M2

SPL

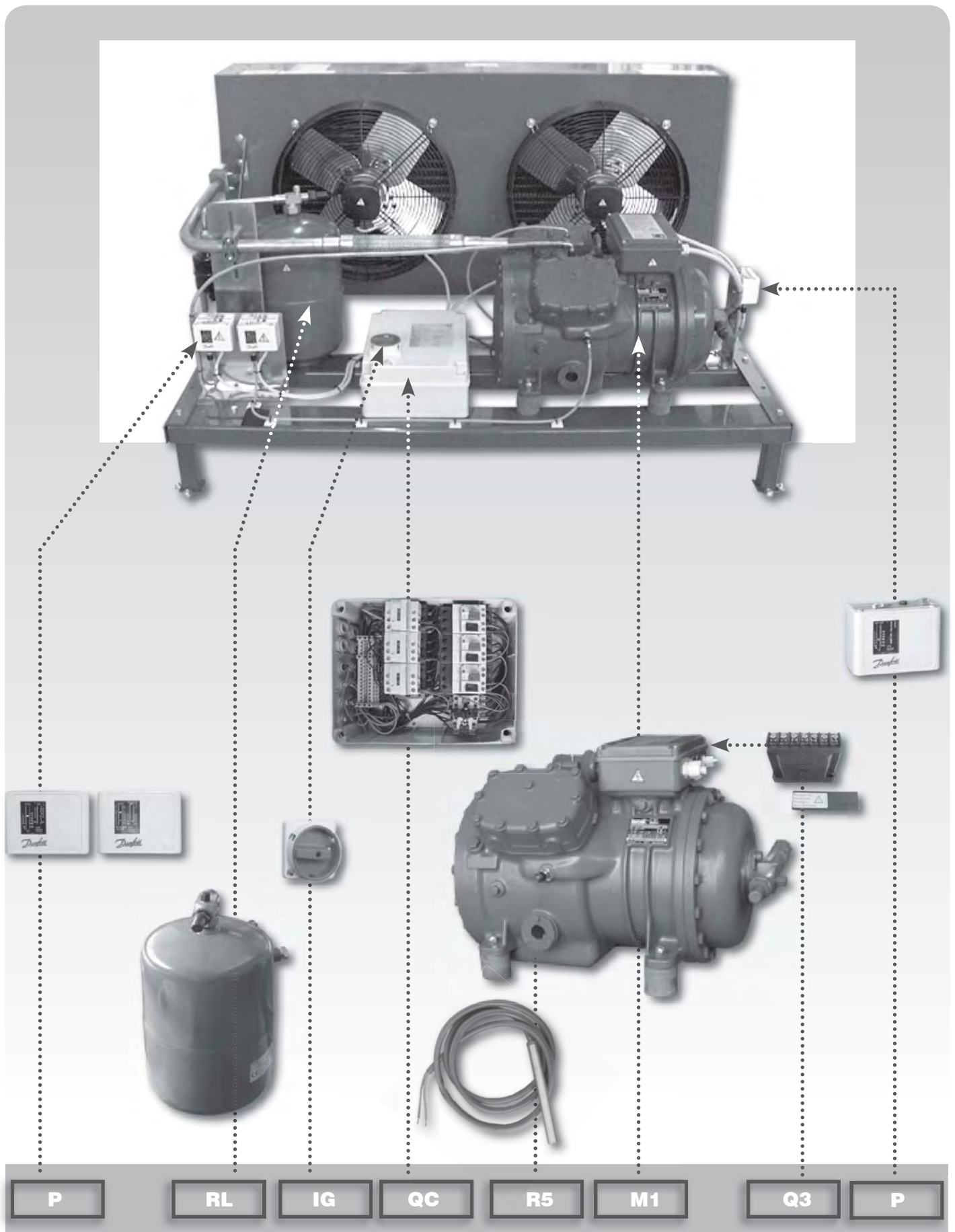
F

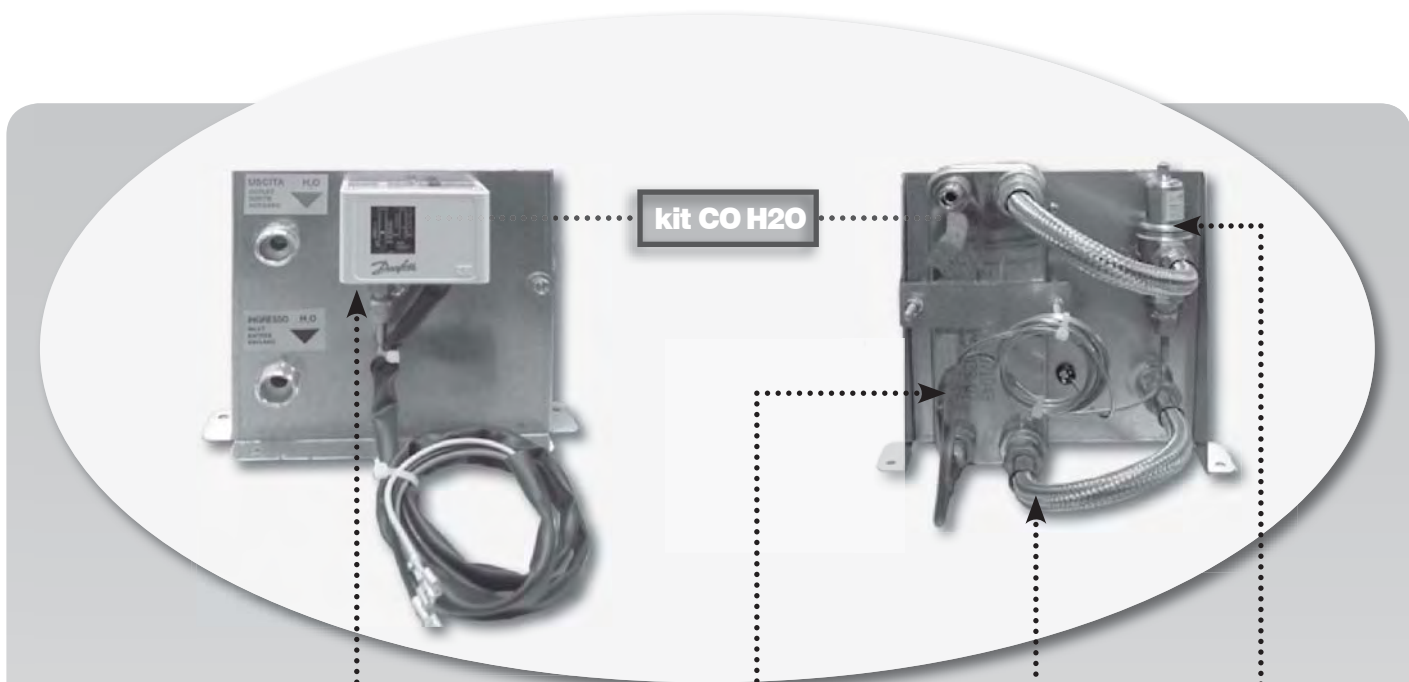
TA

CO



UMC semiermetico





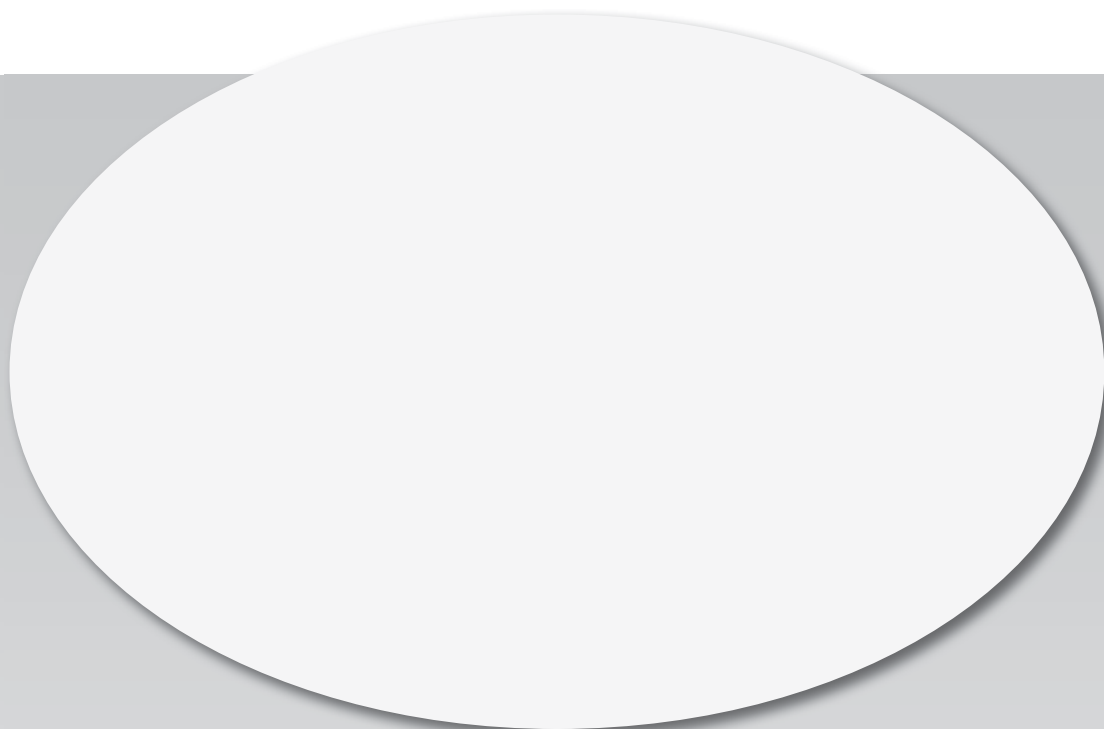
P

CO H2O

TFL

VP





P

kit CO
pag.11

PI
pag.14

kit M2
pag.15

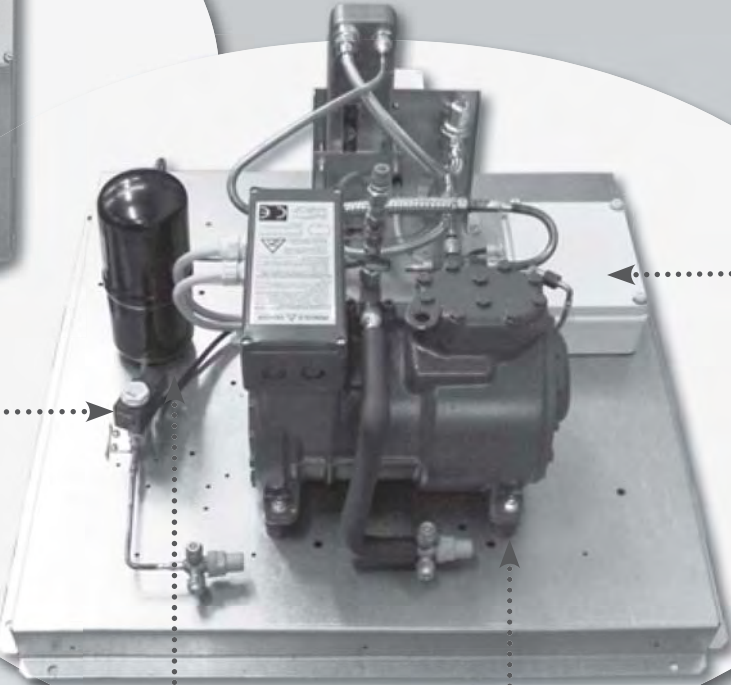
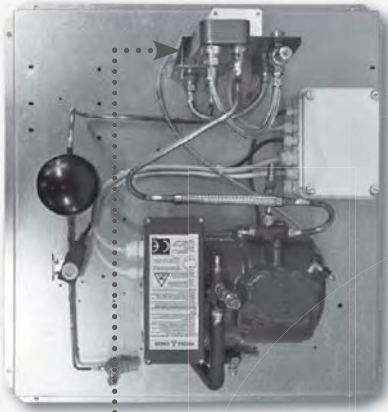
M1

RL

F

SPL

UMC semiermetico H₂O



P

kit CO

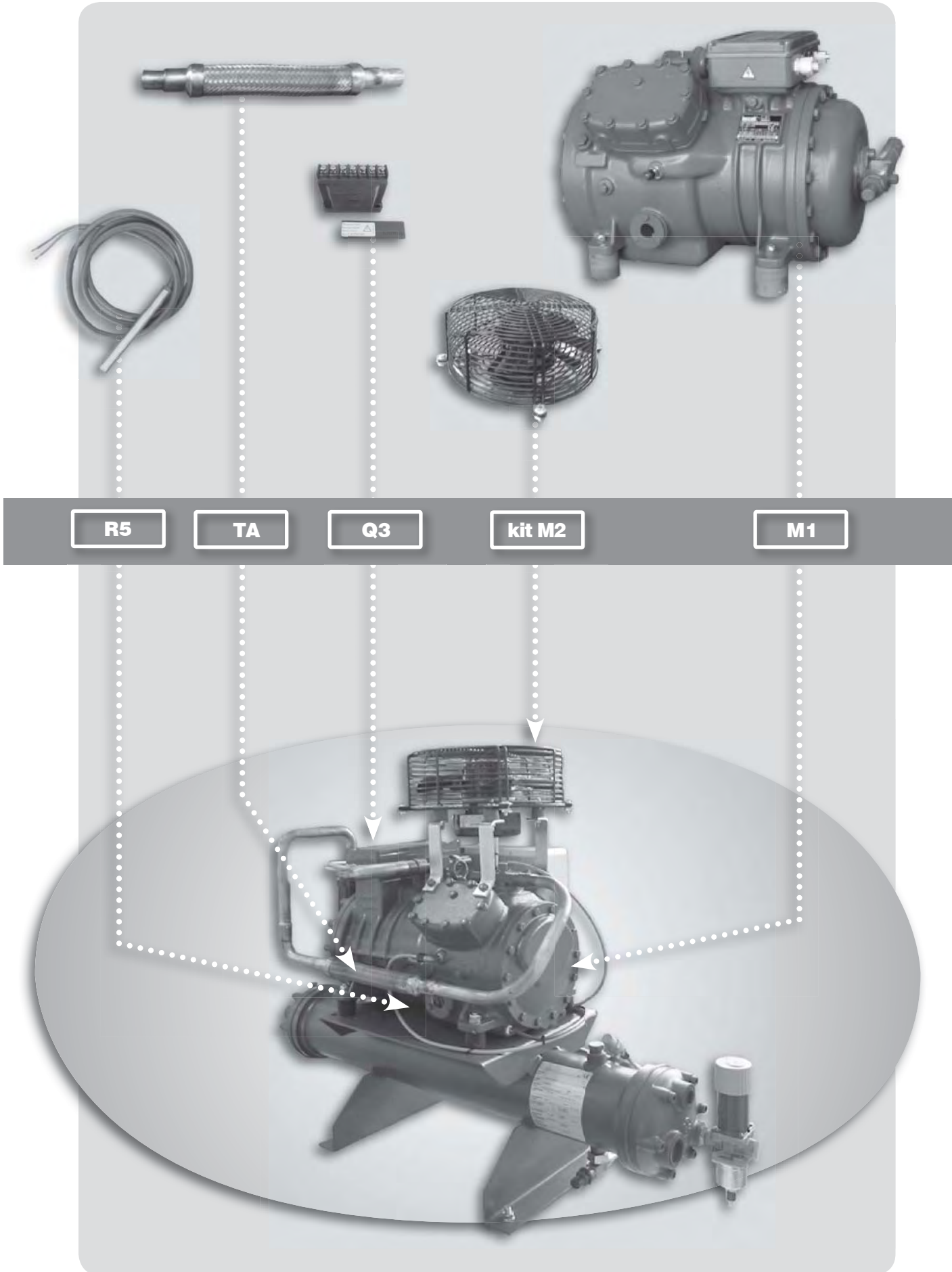
pag.11

BV+V1

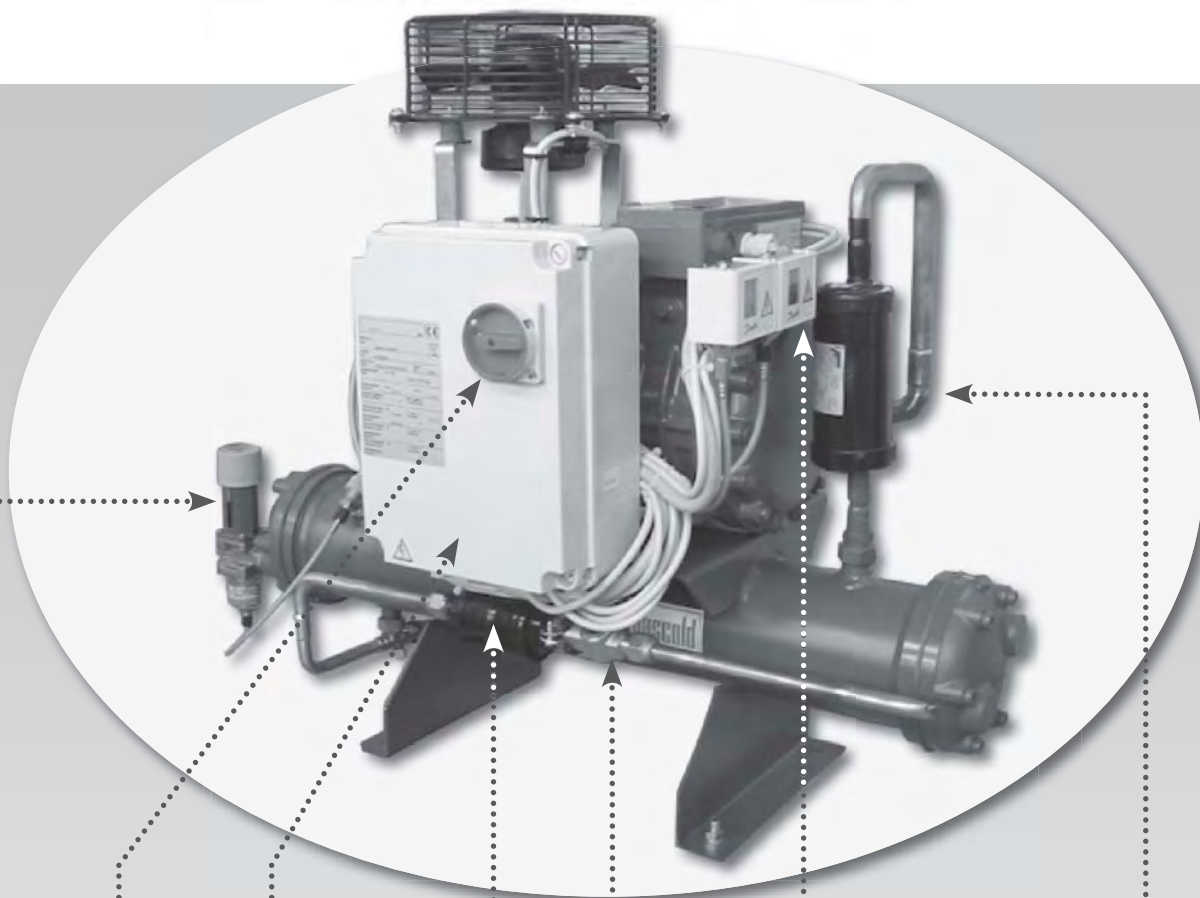
RL

M1

SCE

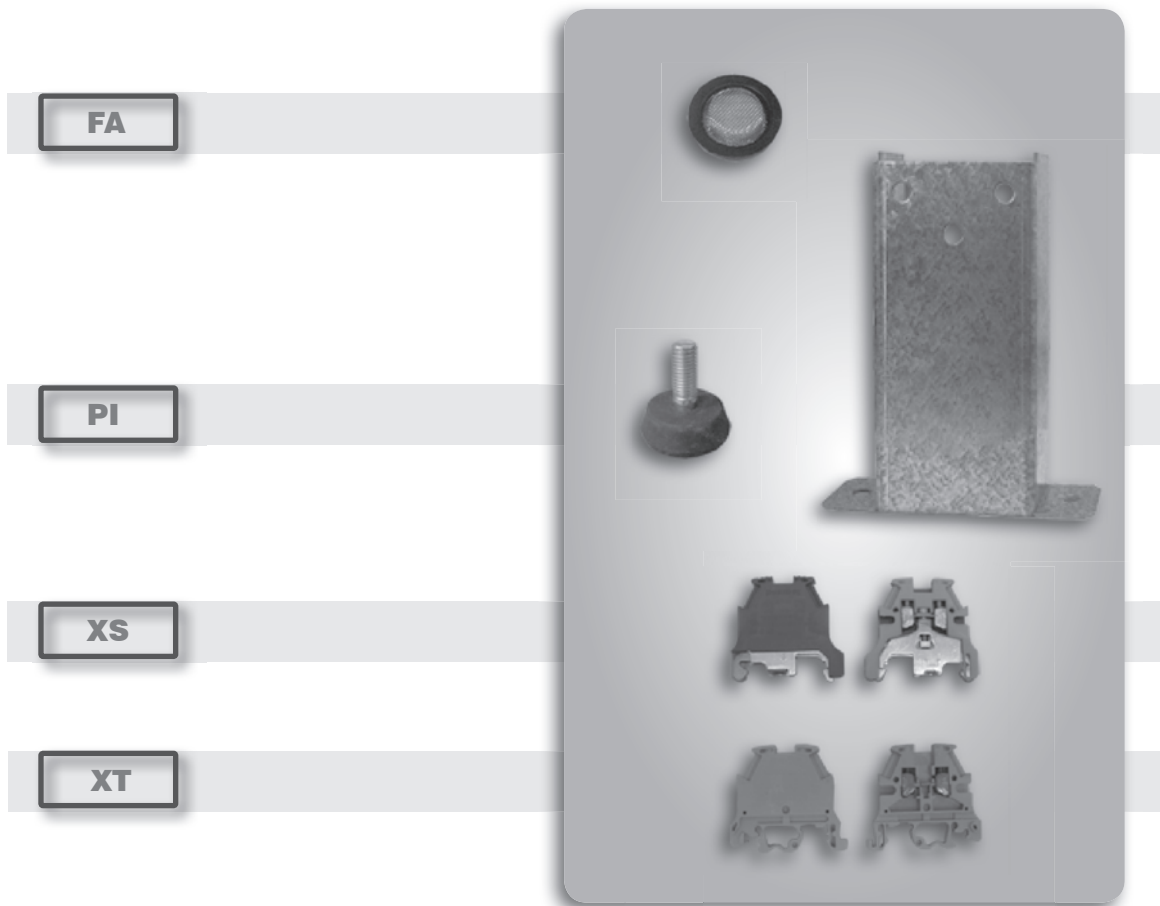
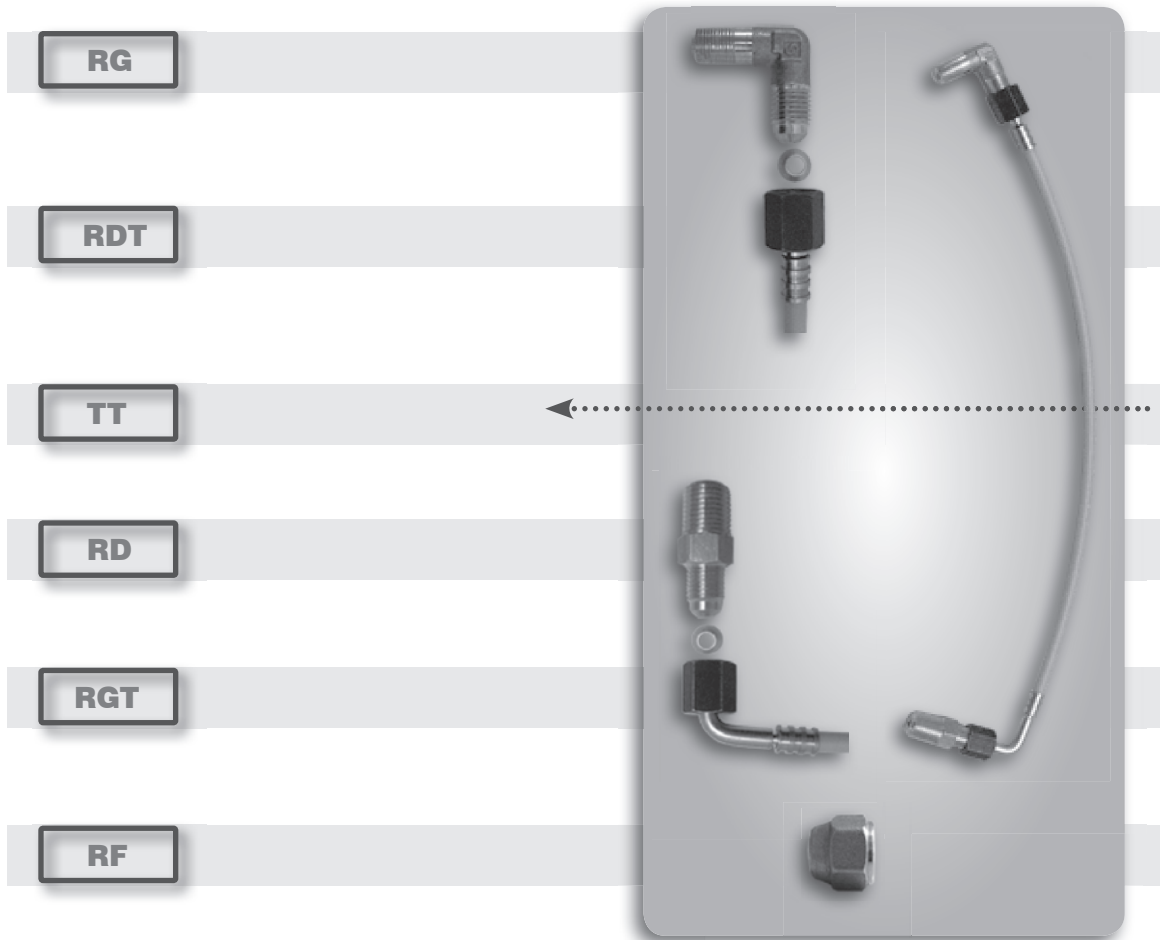


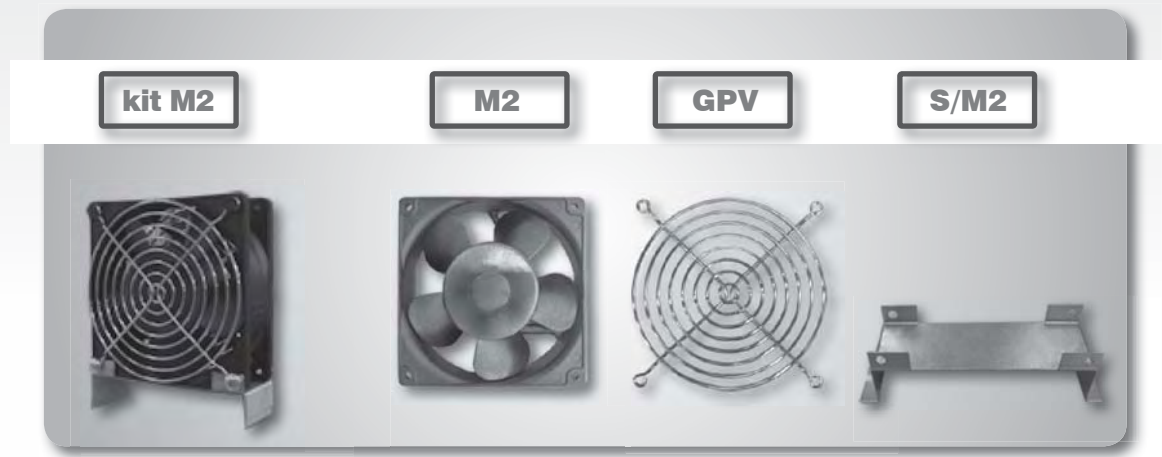
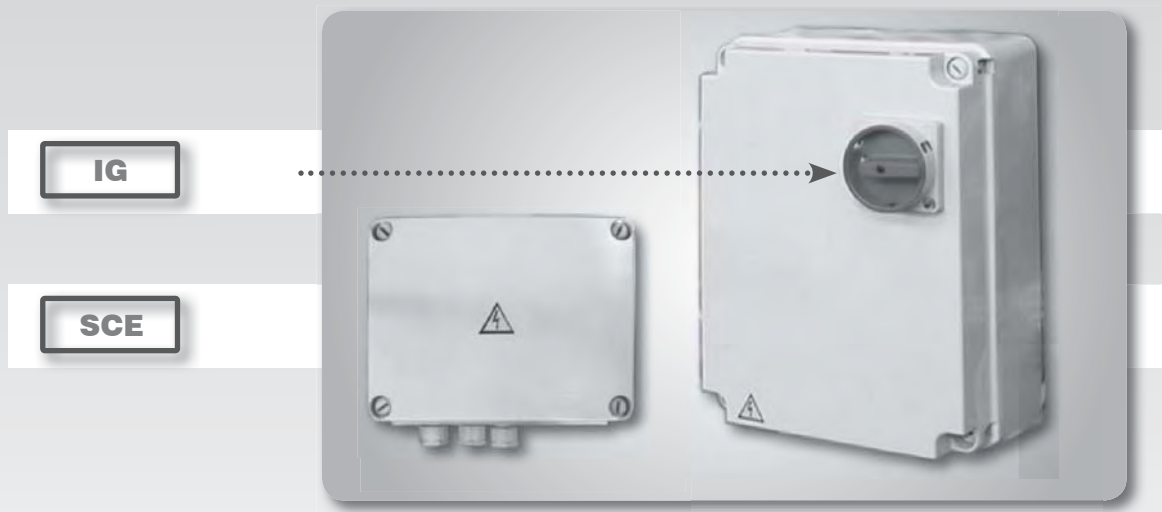
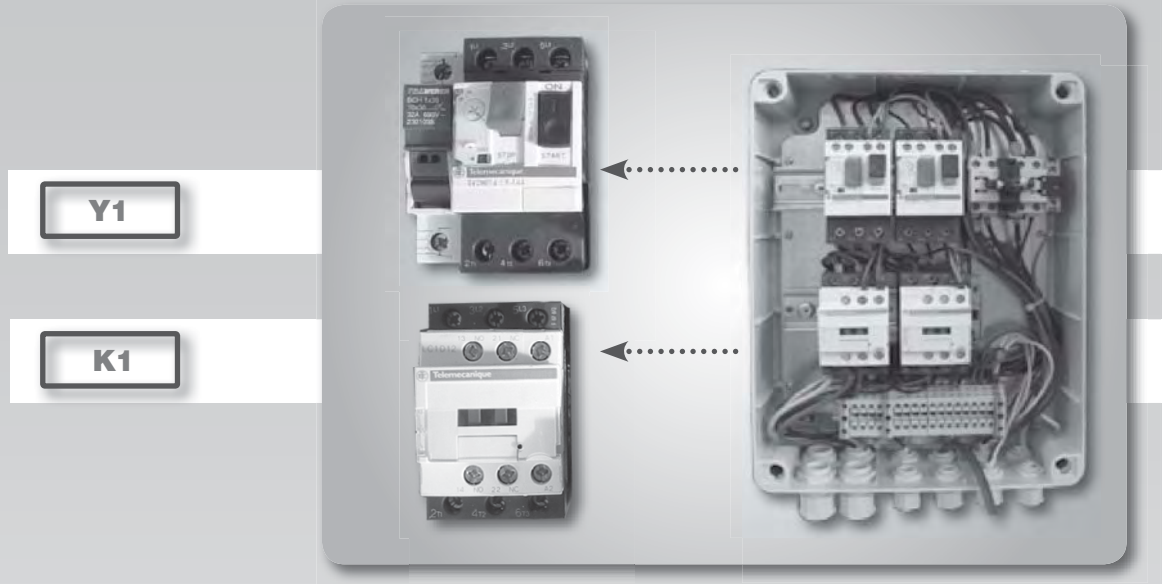
UMC semiermetico H₂O cella BC



P







riferime. reference	codice code	descrizione description	modello model	da...a from..to	ricambi cons. rec. spare part
BOX/M1	995933	BOX ELETTRICO ASPERA 'T6220GK' ELECTRIC BOX 'T6220GK' ASPERA	990360 / 990376	04/03/02 00/00/00	●
BOX/M1	995934	BOX ELETTRICO ASPERA 'J2192GK' ELECTRIC BOX 'J2192GK' ASPERA	990366 / 990382 / 990513	04/03/02 00/00/00	●
BOX/M1	995978	BOX ELETTRICO ASPERA 'J9226GK' ELECTRIC BOX 'J9226GK' ASPERA	990361 / 990377 / 990515 / 990651 / 990660	04/03/02 00/00/00	●
BOX/M1	995979	BOX ELETTRICO ASPERA 'J2212GK' ELECTRIC BOX 'J2212GK' ASPERA	990367 / 990383 / 990517 / 990597 / 990656	04/03/02 00/00/00	●
BOX/M1	996025	BOX ELETTRICO DANFOSS '117-7012' ELECTRIC BOX '117-7012' DANFOSS	990364 / 990365 / 990380 / 990381 / 990507 / 990595 / 990655	22/05/00 00/00/00	●
BOX/M1	996125	BOX ELETTRICO DANFOSS '117-7028' ELECTRIC BOX '117-7028' DANFOSS	990359 / 990375	15/11/01 00/00/00	●
BV	996182	BOBINA HM2 230V 50/60HZ X VALVOLA SOLE COIL HM2 230V 50/60HZ FOR SOLENOID VALVE	990212 / 990607 / 990613	09/01/03 00/00/00	●
C/M1	996023	CONDENSATORE EL. DANFOSS '117U5015' EL. CONDENSER DANFOSS '117U5015'	990353 / 990354 / 990355 / 990369 / 990370 / 990371	22/05/00 00/00/00	
C/M1	996024	CONDENSATORE EL. DANFOSS '117U5017' EL. CONDENSER DANFOSS '117U5017'	990315 / 990356 / 990357 / 990358 / 990362 / 990363 / 990373 / 990374 / 990378 / 990379 / 990503 / 990593 / 990653	22/05/00 00/00/00	
C/M1	996024	CONDENSATORE EL. DANFOSS '117U5017' EL. CONDENSER DANFOSS '117U5017'	990372	16/04/02 12/03/06	
	996550	CONDENSATORE EL. DANFOSS '117U5018' EL. CONDENSER DANFOSS '117U5018'		13/03/06 00/00/00	
C/M1	996633	CONDENS.AVV. 72-88 MF 330 V STARTING CONDENSER 72-88 MF 330 V	990492	_/_/_ 00/00/00	
C/M1	996749	CONDENSATORE EL.DANFOSS '117U5012' ELECTRIC CONDENSER DANFOSS '117U5012'	990594 / 990654	01/01/08 00/00/00	
C/M1	995052	CONDENSATORE EL. DANFOSS '117U5019' ELECTRIC CONDENSER DANFOSS '117U5019'	990592 / 990652	01/01/08 00/00/00	
CE/M2	965680	CONV.COND.BC/BF051(+/-)BC/BF081(-)2007 CONDENSER CONV. BC/BF051 BC/BF081(-)2007	990503 / 990507 / 990513	_/_/_ 00/00/00	
CE/M2	995759	CONVOGLIATORE CONDENS. STVF 124/194 CONDENSER CONVEYOR STVF 124/194	990355 / 990357 / 990358 / 990360 / 990363 / 990364 / 990366 / 990460 / 990593 / 990595 / 990598 / 990650 / 990653 / 990655	04/03/97 00/00/00	
CE/M2	995775	CONVOGLIATORE CONDENS. STVF 93/139 CONDENSER CONVEYOR STVF 93/139	990353 / 990354 / 990356 / 990362 / 990365 / 990592 / 990594 / 990599 / 990652 / 990654	02/10/02 00/00/00	
CE/M2	996162	CONVOGLIATORE CF33 COND.LUVE STVF273 LUVE CONDENSER CONV. CF33 STVF273	990359 / 990361 / 990367 / 990597 / 990607 / 990651 / 990656 / 990660	02/10/02 00/00/00	
CO	965354	CONDENSATORE AB BC/BF081+ BC/BF121- BC/BF081+ BC/BF121 CONDENSER	990515 / 990517	_/_/_ 00/00/00	
CO	965355	CONDENSAT BC161-2/3R BF161-2R BC/F121 BC161-2/3R BF161-2R BC/F1 CONDENSER	990500 / 990519 / 990525 / 990527	_/_/_ 00/00/00	
CO	965356	CONDENSATORE BF161- BF122 BF161- BF122 CONDENSER	990491 / 990492 / 990529	_/_/_ 00/00/00	
CO	965849	CONDENSATORE AD H2O FRASCOLD USWCR14 WATER CONDENSER FRASCOLD USWCR14	990278 / 990280 / 990282 / 990559 / 990560 / 990577	_/_/_ 00/00/00	

riferime. reference	codice code	descrizione description	modello model	da...a from..to	ricambi cons. rec. spare part
CO	965850	CONDENSATORE AD H2O FRASCOLD USWCR43 WATER CONDENSER FRASCOLD USWCR43	990565	_/_/_ 00/00/00	
CO	995117	CONDENSATORE 48 X 500 CONDENSER 48 X 500	990503 / 990507 / 990513	01/01/95 00/00/00	
CO	995521	CONDENSATORE STVF 124 CONV RINF C/CURV STVF 124 CONDENSER WITH CONVEYOR REINF.	990355 / 990363 / 990364 / 990460 / 990593 / 990598 / 990653	01/01/95 00/00/00	
CO	995522	CONDENSATORE STVF 139 CONV RINF C/CURV STVF 139 CONDENSER WITH CONVEYOR REINF.	990356 / 990365 / 990492 / 990594 / 990599 / 990654	01/01/95 00/00/00	
CO	995523	CONDENSATORE STVF 194 CONV RINF C/CURV STVF 194 CONDENSER WITH CONVEYOR REINF.	990315 / 990357 / 990358 / 990360 / 990366 / 990595 / 990650 / 990655	01/01/95 00/00/00	
CO	995524	CONDENSATORE STVF 93 CONV RINF C/CURV STVF 93 CONDENSER WITH CONVEYOR REINF.	990353 / 990354 / 990362 / 990469 / 990592 / 990652	01/01/95 00/00/00	
CO	995880	CONDENSATORE FRASCOLD 'USAC07M' 'USAC07M' CONDENSER FRASCOLD	990214 / 990260 / 990261 / 990262 / 990543	10/04/01 00/00/00	
CO	995881	CONDENSATORE FRASCOLD 'USAC08M' 'USAC08M' CONDENSER FRASCOLD	965667 / 965787 / 990215 / 990263 / 990264 / 990266 / 990465 / 990480 / 990544 / 990545 / 990546 / 990601 / 990608	26/03/01 00/00/00	
CO	995882	CONDENSATORE FRASCOLD 'USAC16M' 'USAC16M' CONDENSER FRASCOLD	990265 / 990268 / 990464 / 990467 / 990547 / 990549	10/04/01 00/00/00	
CO	995883	CONDENSATORE FRASCOLD 'USAC17M' 'USAC17M' CONDENSER FRASCOLD	990267 / 990270 / 990466 / 990548 / 990550	10/04/01 00/00/00	
CO	995908	CONDENSATORE STVF 273 CONV RINF STVF 273 CONDENSER	990359 / 990361 / 990367 / 990597 / 990607 / 990651 / 990656 / 990660	08/10/98 00/00/00	
CO	996056	CONDENSATORE FRASCOLD 'USAC14M' FRASCOLD 'USAC14M' CONDENSER	990275 / 990556	10/04/01 00/00/00	
CO	996057	CONDENSATORE FRASCOLD 'USAC18M' FRASCOLD 'USAC18M' CONDENSER	990269 / 990271 / 990272 / 990551 / 990553 / 990554 / 996392 / 996393	10/04/01 00/00/00	
CO	996058	CONDENSATORE FRASCOLD 'USAC19M' FRASCOLD 'USAC19M' CONDENSER	990273 / 990555	10/04/01 00/00/00	
CO	996586	BATTERIA CONDENSANTE USAC 07M 16-5-850 CONDENSATE BATTERY 07M 16-5-850	990531 / 990533	_/_/_ 00/00/00	
CO H2O	936054	CONDENSATORE ZC315 17C3151204 12PIAST	990526 / 990528 / 990532 / 990613	14/02/02 00/00/00	
CO H2O	995909	CONDENSATORE H2O SALDOBR. ZC207 10 PIA WATER CONDENSER B.WELDING ZC207 10 PL	990369 / 990370 / 990371 / 990372 / 990373 / 990374 / 990375 / 990378 / 990379 / 990380 / 990381	11/11/05 00/00/00	
CO H2O	995969	CONDENSATORE B8 SALDOBRASATO 10 PIASTR WATER CONDENSER B.WELDING B8 10 PL	990376 / 990377 / 990382 / 990383 / 990384	28/01/99 00/00/00	
F	995690	FILTRO DISIDRATORE ODF DML032S 023Z455 DEHYDRATOR FILTER ODF DML032S 023Z455	990315 / 990353 / 990354 / 990355 / 990356 / 990357 / 990358 / 990360 / 990362 / 990363 / 990364 / 990365 / 990366 / 990369 / 990370 / 990371 / 990372 / 990373 / 990374 / 990376 / 990378 / 990379 / 990380 / 990381 / 990382 / 990460 / 990469 / 990492 / 990652 / 990653 / 990654 / 990655	02/05/04 00/00/00	
F	996269	FILTRO DISIDRATORE ODF DML033S 023Z455 DEHYDRATOR FILTER ODF DML033S 023Z455	990212 / 990359 / 990361 / 990367 / 990368 / 990375 / 990377 / 990383 / 990384 / 990500 / 990519 / 990525 / 990607 / 990613 / 990656	07/09/04 00/00/00	
F	996673	FILTRO DISIDRATORE T00EC1410 PER UMC DEHYDRATOR FILTER T00EC1410 FOR UMC	965667 / 965787 / 990214 / 990215 / 990261 / 990262 / 990264 / 990465 / 990543 / 990545	_/_/_ 00/00/00	

riferime. reference	codice code	descrizione description	modello model	da...a from..to	ricambi cons. rec. spare part
F	996674	FILTRO DISIDRATORE T00EC1420 PER UMC DEHYDRATOR FILTER T00EC1420 FOR UMC	990265 / 990266 / 990267 / 990268 / 990269 / 990270 / 990278 / 990280 / 990282 / 990464 / 990466 / 990467 / 990480 / 990546 / 990547 / 990548 / 990550 / 990551 / 990559 / 990560 / 990565 / 990577 / 996392	/_/_ 00/00/00	
F	996675	FILTRO DISIDRATORE T00EC1401 PER UMC DEHYDRATOR FILTER T00EC1401 FOR UMC	990271 / 990272 / 990553 / 990554 / 996393	/_/_ 00/00/00	
FA	935681	FILTRO GOMMA ALIMENTAZ. IDR. 3/4 GAS WATER SUPPLY FILTER 3/4 GAS	990369 / 990370 / 990371 / 990372 / 990373 / 990374 / 990375 / 990376 / 990377 / 990378 / 990379 / 990380 / 990381 / 990382 / 990383 / 990384	12/06/02 00/00/00	
FA	935997	FILTRO X GOMMA ALIMENT.IDR.3/4' WATER SUPPLY FILTER 3/4'	990369 / 990370 / 990371 / 990372 / 990373 / 990374 / 990375 / 990376 / 990377 / 990378 / 990379 / 990380 / 990381 / 990382 / 990383 / 990384	/_/_ 00/00/00	
FU	995897	FUSIBILE 3A 5X20 3A 5X20 FUSE	990214 / 990215 / 990260 / 990261 / 990262 / 990263 / 990264 / 990265 / 990266 / 990267 / 990268 / 990269 / 990270 / 990271 / 990272 / 990273 / 990275 / 990278 / 990280 / 990282 / 990283 / 990464 / 990465 / 990466 / 990467 / 990480 / 990543 / 990544 / 990545 / 990546 / 990547 / 990548 / 990549 / 990550 / 990551 / 990552 / 990553 / 990554 / 990555 / 990556 / 990557 / 990558 / 990559 / 990560 / 990561 / 990562 / 990563 / 990564 / 990565 / 990566 / 990567 / 990568 / 990569 / 990570 / 990572 / 990601 / 990608 / 990609 / 990610 / 990661 / 996392 / 996393	01/02/99 00/00/00	
GPV	925527	GRIGLIA PROTEZIONE VENTILAT.4715FS FAN GRID PROTECTION 4715FS	990369 / 990370 / 990371 / 990372 / 990373 / 990374 / 990375 / 990376 / 990377 / 990378 / 990379 / 990380 / 990381 / 990382 / 990383 / 990384 / 990526 / 990528 / 990532	09/10/98 00/00/00	
GPV	965665	GRIGLIA PROTEZ.VENT.ELCO D=200 FAN GRID PROTECTION ELCO D=200	990503 / 990507 / 990513	/_/_ 00/00/00	
GPV	965666	GRIGLIA PROTEZ.VENT.ELCO D=254 FAN GRID PROTECTION ELCO D=254	990519 / 990525 / 990527	/_/_ 00/00/00	
GPV	965681	GRIGLIA PROT.VENT.CONDENS. D=254 H=33 CONDENSER FAN GRID D=254 H=33	990529	/_/_ 00/00/00	
GPV	965682	GRIGLIA PROT.VENT.CONDENS. D=200 H=37 CONDENSER FAN GRID D=200 H=37	990515 / 990517	/_/_ 00/00/00	
IG	965836	INTERRUTTORE QUADRIPOLORE 32A 3PH+N QUADRUPOLE SWITCH 32A 3PH+N	990547 / 990562 / 990564 / 990565 / 990556 / 990567	11/04/01 00/00/00	
IG	965837	INTERRUTTORE QUADRIPOLORE 63A 3PH+N QUADRUPOLE SWITCH 63A 3PH+N	990283 / 990552 / 990553 / 990554 / 990555 / 990556 / 990568 / 990569 / 990570	11/04/01 00/00/00	
IG	996062	INTERRUTT. QUADRIPOLORE 25A 3PH+N QUADRUPOLE SWITCH 5A 3PH+N	990464 / 990465 / 990466 / 990467 / 990543 / 990544 / 990545 / 990546 / 990548 / 990549 / 990550 / 990551 / 990557 / 990558 / 990559 / 990560	11/04/01 00/00/00	
IG	996063	INTERRUTT. PENTAPOLARE 25A 3PH+N PENTAPOLE SWITCH 25A 3PH+N	990214 / 990215 / 990260 / 990261 / 990262 / 990263 / 990264 / 990265 / 990266 / 990267 / 990268 / 990269 / 990270 / 990278 / 990279 / 990280 / 990282 / 996392 / 990561 / 990563	11/04/01 00/00/00	
IG	996064	INTERRUTT. PENTAPOLARE 40A 3PH+N+N 400V PENTAPOLE SWITCH 40A 3PH+N+N 400V	990271 / 990272 / 990480 / 996393	11/04/01 00/00/00	
IG	996065	INTERRUTT. PENTAPOLARE 63A 3PH+N+N 40 PENTAPOLE SWITCH 63A 3PH+N+N 400V	990273 / 990275	11/04/01 00/00/00	
K1	995903	CONTATTORE TELEMECANIQUE LC1D12 CONTACTOR TELEMECANIQUE LC1D12	990214 / 990215 / 990261 / 990262 / 990263 / 990264 / 990265 / 990266 / 990278 / 990279 / 990280 / 990282	01/02/99 00/00/00	●
K1	995904	CONTATTORE TELEMECANIQUE LC1D18 CONTACTOR TELEMECANIQUE LC1D18	990271 / 990272 / 996393	01/02/99 00/00/00	●
K1	996044	CONTATTORE TELEMECANIQUE LC1D38 CONTACTOR TELEMECANIQUE LC1D38	990480	21/02/01 00/00/00	●

riferime. reference	codice code	descrizione description	modello model	da...a from..to	ricambi cons. rec. spare part
K1	996403	CONTATTORE LC1D25B7 TELEMECANIQUE 24V CONTACTOR TELEMECANIQUE LC1D25B7 24V	990273 / 990275	12/09/06 00/00/00	●
K1	996466	CONTATTORE LC1D18 TELEMECANIQUE 230V CONTACTOR TELEMECANIQUE LC1D18 230V	990260 / 990267 / 990268 / 990269 / 990270 / 990271 / 990272 / 996392 / 996393	29/01/07 00/00/00	●
K1	996622	CONTATTORE LC1D18M7 TELEMEC.230V AC CONTACTOR TELEMEC. LC1D18M7 230V AC	990283 / 990464 / 990465 / 990466 / 990467 / 990543 / 990544 / 990545 / 990546 / 990547 / 990548 / 990549 / 990550 / 990551 / 990552 / 990553 / 990554 / 990557 / 990558 / 990559 / 990560 / 990561 / 990562 / 990563 / 990564 / 990565 / 990566 / 990567 / 990568 / 990569 / 990570 / 990601 / 990661 / 990662	_/_/_ 00/00/00	●
K1	996667	CONTATTORE LC1D25M7 TELEMECANIQUE 230V CONTACTOR TELEMECANIQUE LC1D25M7 230V	990555 / 990556 / 990568 / 990570 / 990608 / 990609 / 990610	_/_/_ 00/00/00	●
K2	996043	CONTATTORE LC1D09 TELEMECANIQUE 24V CONTACTOR TELEMECANIQUE LC1D09 24V	990480	21/02/01 00/00/00	
K2	996465	CONTATTORE LC1D09 TELEMECANIQUE 230V CONTACTOR TELEMEC. LC1D09 230V	990214 / 990215 / 990260 / 990261 / 990262 / 990263 / 990264 / 990265 / 990266 / 990267 / 990268 / 990269 / 990270 / 990271 / 990272 / 990273 / 990275 / 990278 / 990279 / 990280 / 990282 / 996392 / 996393 / 990283 / 990464 / 990465 / 990466 / 990467 / 990543 / 990544 / 990545 / 990546 / 990547 / 990548 / 990549 / 990550 / 990551 / 990552 / 990553 / 990554 / 990555 / 990556 / 990557 / 990558 / 990559 / 990560 / 990561 / 990562 / 990563 / 990564 / 990565 / 990566 / 990567 / 990568 / 990569 / 990570 / 990572 / 990601 / 990608 / 990609 / 990610 / 990661 / 990662	29/01/07 00/00/00	
kit CO H2O	996655	KIT CONDENS.ACQUA SALDOBRASATO B5 WATER CONDENSER KIT BRAZE WELDING B5	990369 / 990370 / 990371 / 990372 / 990373 / 990374 / 990375 / 990378 / 990379 / 990380 / 990381	_/_/_ 00/00/00	
kit CO H2O	996656	KIT CONDENS.ACQUA SALDOBRASATO B8 WATER CONDENSER KIT BRAZE WELDING B8	990376 / 990377 / 990382 / 990383 / 990384	_/_/_ 00/00/00	
kit CO H2O	996666	KIT CONDENSATORE SALDOBRASATO ZC315 WATER CONDENSER KIT BRAZE WELDING B8	990526 / 990532 / 990613	18/10/07 00/00/00	
M1	945433	COMP.FRASCOLD A 1,5 8 Y 400/3/50+KRIWA COMP.FRASCOLD A 1,5 8 Y 400/3/50+KRIWA	990607 / 990613	28/10/08 00/00/00	
M1	965323	COMPRESSORE ABB BF121+161-TEC TFH2511Z TEC TFH2511Z COMPRESSOR BC 121+161-	990500 / 990525 / 990526	_/_/_ 00/00/00	
M1	965326	COMPRESSORE ABB BF161+122-TEC TAG2516Z TAG2516Z COMPRESSOR FOR BC161+122-TEC	990491 / 990492 / 990529	_/_/_ 00/00/00	
M1	965362	COMPRESSORE U.H TFH4531Z R404A 400V COMPRESSOR U.H TFH4531Z R404A 400V	990527 / 990528	_/_/_ 00/00/00	
M1	965398	COMPRESSORE ASPERA T6217GK R404A COMPRESSOR ASPERA T6217GK R404A	990650	01/07/09 00/00/00	
M1	965603	COMPRESSORE FRASCOLD F4-24Y COMPRESSOR FRASCOLD F4-24Y	965667 / 965787 / 990215 / 990264 / 990280 / 990465 / 990533 / 990545 / 990559 / 990608 / 990610	_/_/_ 00/00/00	
M1	965833	COMPRESSORE DANFOSS TL 4 DL R404A DANFOSS COMPRESSOR TL 4 DL R404A	990469	_/_/_ 00/00/00	
M1	995037	COMPR. ASPERA NEK6210GK 220-240V 50H ASPERA COMPRESSOR NEK6210GK 220-240V 50H	990598	30/06/09 00/00/00	
M1	995485	COMPRESSORE 14,5 CC T2155GK/SC12CL R40 COMPRESSOR 14,5 CC T2155GK/SC12CL R40	990362 / 990378	01/03/98 00/00/00	
M1	995711	COMPRESSORE 34,37CC J2212GK CSR R404A COMPRESSOR 34,37CC J2212GK CSR R404A	990367 / 990383 / 990517 / 990597 / 990656	01/01/95 00/00/00	

referime. reference	codice code	descrizione description	modello model	da...a from..to	ricambi cons. rec. spare part
M1	995740	COMPRESSORE NL7.3MF FR8.5G/B6160Z R134 COMPRESSOR NL7.3MF FR8.5G/B6160Z R134	990354 / 990370	16/04/02 05/11/06	
M1	995741	COMPRESSORE DANFOSS NL6.1MF R134A COMPRESSOR DANFOSS NL6.1MF R134A	990353 / 990369	16/04/02 21/01/07	
M1	995742	COMPRESSORE 8,85 CC B6170Z/FR10G R13 COMPRESSOR 8,85 CC B6170Z/FR10G R13	990355 / 990371	01/03/98 00/00/00	
M1	995743	COMPRESSORE 12,00 CC E6187Z/SC12G R1 COMPRESSOR 2,00 CC E6187Z/SC12G R1	990356 / 990372	16/04/02 12/03/06	
M1	995745	COMPRESSORE 17,4 CC T2168GK/SC15CL R40 COMPRESSOR 17,4 CC T2168GK/SC15CL R40	990363 / 990379	01/03/98 00/00/00	
M1	995746	COMPRESSORE 20,4 CC T2178GK/SC18CL R40 COMPRESSOR 20,4 CC T2178GK/SC18CL R40	990364 / 990380 / 990507 / 990594 / 990654	16/02/99 00/00/00	
M1	995747	COMPRESSORE 17,4 CC T6213Z/SC18G R134A COMPRESSOR 17,4 CC T6213Z/SC18G R134A	990315 / 990358 / 990374	16/09/96 00/00/00	
M1	995767	COMPRESSORE 26,0CC J2192GK CSR R404A COMPRESSOR 26,0CC J2192GK CSR R404A	990366 / 990382 / 990513	06/03/97 00/00/00	
M1	995769	COMPRESSORE 25,80 CC J6220Z/SC21G R13 COMPRESSOR 25,80 CC J6220Z/SC21G R13	990359 / 990375	01/03/98 00/00/00	
M1	995770	COMPRESSORE 22,4 CC.T2180GK-SC21CL R40 COMPRESSOR 22,4 CC.T2180GK-SC21CL R40	990365 / 990381 / 990595 / 990655	30/04/97 00/00/00	
M1	995923	COMPRESSORE 17,4 CC T6220GK CSR R404A COMPRESSOR 17,4 CC T6220GK CSR R404A	990360 / 990376	23/10/98 00/00/00	
M1	995925	COMPRESSORE 21,7 CC J9226GK CSR R404A COMPRESSOR 21,7 CC J9226GK CSR R404A	990361 / 990377 / 990515 / 990651 / 990660	23/10/98 00/00/00	
M1	995926	COMPRESSORE J9238GS R404A COMPRESSOR J9238GS R404A	990519	25/01/99 00/00/00	
M1	995983	COMPRESSORE DANFOSS SC 15 G R134A DANFOSS COMPRESSOR SC 15 G R134A	990357 / 990373	20/11/00 00/00/00	
M1	996000	COMPRESSORE 2HP TN D211 COMPRESSOR 2HP TN D211	990260	10/04/01 00/00/00	
M1	996001	COMPRESSORE 3HP TN D313 FRASCOLD FRASCOLD COMPRESSOR 3HP TN D313	990214 / 990261 / 990278 / 990531 / 990532 / 990543 / 990557	10/04/01 00/00/00	
M1	996002	COMPRESSORE 3HP BT D318 FRASCOLD FRASCOLD COMPRESSOR 3HP BT D318	990262	10/04/01 00/00/00	
M1	996003	COMPRESSORE 4HP TN F419 FRASCOLD FRASCOLD COMPRESSOR 4HP TN F419	990263 / 990279 / 990544 / 990558	10/04/01 00/00/00	
M1	996005	COMPRESSORE 5HP TN Q521 FRASCOLD FRASCOLD COMPRESSOR 5HP TN Q521	990265 / 990467 / 990547	10/04/01 00/00/00	
M1	996007	COMPRESSORE 7HP TN S733 FRASCOLD FRASCOLD COMPRESSOR 7HP TN S733	990283 / 990562	10/04/01 01/02/02	
M1	996008	COMPRESSORE 7HP BT S739 FRASCOLD FRASCOLD COMPRESSOR 7HP BT S739	990268 / 990285 / 990464 / 990549 / 990564 / 990662	10/04/01 00/00/00	
M1	996009	COMPRESSORE 10HP BT S1051 FRASCOLD FRASCOLD COMPRESSOR 10HP BT S1051	990270 / 990466 / 990550 / 990567	10/04/01 00/00/00	

referime. reference	codice code	descrizione description	modello model	da...a from..to	ricambi cons. rec. spare part
M1	996050	COMPRESSORE 10HP TN S1039 FRASCOLD FRASCOLD COMPRESSOR 10HP TN S1039	990269 / 990551 / 990566 / 996392	10/04/01 00/00/00	
M1	996051	COMPRESSORE 15HP BT S1556 FRASCOLD FRASCOLD COMPRESSOR 15HP BT S1556	990271 / 990553 / 996393	10/04/01 00/00/00	
M1	996052	COMPRESSORE 20HP BT V2084 FRASCOLD FRASCOLD COMPRESSOR 20HP BT V2084	990272 / 990554 / 990572	10/04/01 00/00/00	
M1	996053	COMPRESSORE 25HP TN V2571 FRASCOLD FRASCOLD COMPRESSOR 25HP TN V2571	990273 / 990555	10/04/01 00/00/00	
M1	996054	COMPRESSORE 25HP BT Z25106 FRASCOLD FRASCOLD COMPRESSOR 25HP BT Z25106	990570	10/04/01 00/00/00	
M1	996055	COMPRESSORE 30HP BT Z30126 FRASCOLD FRASCOLD COMPRESSOR 30HP BT Z30126	990275 / 990556	10/04/01 00/00/00	
M1	996150	COMPRESSORE LTZ22JE5 230/1/50 COMPRESSOR LTZ22JE5 230/1/50	990368 / 990384	09/05/02 00/00/00	
M1	996261	COMPRESSORE U.H AEZ4425Y-H R134A 208/6 COMPRESSOR U.H AEZ4425Y-H R134A 208/6	990460	21/07/04 00/00/00	
M1	996352	COMPRESS.DANFOSS NL6.1MF R134A 230/50- DANFOSS COMPRESSOR NL6.1MF R134A 230/50	990353 / 990369	06/03/06 00/00/00	
M1	996353	COMPRESS.DANFOSS NL7.3MF R134A 230/50 DANFOSS COMPRESSOR NL7.3MF R134A 230/50	990354	06/03/06 00/00/00	
M1	996355	COMPRESS.DANFOSS NL10 MF R134A 230/50 DANFOSS COMPRESSOR NL10 MF R134A 230/50	990356 / 990372	06/03/06 00/00/00	
M1	996391	COMPRESSORE ASPERA NE9213 GK R404A ASPERA COMPRESSOR NE9213 GK R404A	990599	30/06/09 00/00/00	
M1	996634	COMPRESSORE ACC MP14FB 230/50 R404A COMPRESSOR MP14FB 230/50 R404A	990492	10/01/08 00/00/00	
M1	996637	COMPRESSORE FRASCOLD Q7 33 Y 400/3/50 FRASCOLD COMPRESSOR Q7 33 Y 400/3/50	990267 / 990283 / 990548 / 990562 / 990565	14/01/08 00/00/00	
M1	996638	COMPRESSORE FRASCOLD Q5 28 Y 400/3/50 FRASCOLD COMPRESSOR Q5 28 Y 400/3/50	990266 / 990480 / 990546	14/01/08 00/00/00	
M1	996639	COMPRESSORE FRASCOLD Q5 25 Y 400/3/50 FRASCOLD COMPRESSOR Q5 25 Y 400/3/50	990282 / 990560	14/01/08 00/00/00	
M1	996697	COMPRESSORE FRASCOLD F5 19 Y 400/3/50 FRASCOLD COMPRESSOR F5 19 Y 400/3/50	990561	_/_/_ 00/00/00	
M1	996698	COMPRESSORE FRASCOLD Q5 33 Y 400/3/50 FRASCOLD COMPRESSOR Q5 33 Y 400/3/50	990563	_/_/_ 00/00/00	
M1	996699	COMPRESSORE FRASCOLD V15 71 Y 400/3/50 FRASCOLD COMPRESSOR V15 71 Y 400/3/50	990568	_/_/_ 00/00/00	
M1	996705	COMPRESSORE FRASCOLD SA1551 S-Y/2 FRASCOLD COMPRESSOR SA1551 S-Y/2	990552 / 990661	_/_/_ 00/00/00	
M1	996713	COMPRESSORE FRASCOLD S20 56 Y 400/3/50 FRASCOLD COMPRESSOR S20 56 Y 400/3/50	990569	_/_/_ 00/00/00	
M1	996725	COMPRESSORE DANFOSS SC 15 CLX.2 R404A COMPRESSOR DANFOSS SC 15 CLX.2 R404A	990503 / 990593 / 990653	14/07/09 00/00/00	

riferime. reference	codice code	descrizione description	modello model	da...a from..to	ricambi cons. rec. spare part
M1	996741	COMPRESS.DANFOSS SC 12 CLX.2 R404A 50/60 COMPRESS.DANFOSS SC 12 CLX.2 R404A 50/60	990592 / 990652	14/07/09 00/00/00	
M1	-	COMPRESSORE FRASCOLD SA 528F - Y2 FRASCOLD COMPRESSOR SA 528F - Y2	990601 / 990610	_/_/_ 00/00/00	
M2	965318	ASS.VENTIL.ELCO D=200-34°-VNT10-20+CON ELCO FAN D=200-34°-VNT10-20+CON	990507 / 990513 / 990515 / 990517	26/02/07 00/00/00	●
M2	965319	ASS.VENTIL.ELCO D=254-34°-VNT35-45+CON ELCO FAN D=254-34°-VNT35-45+CON	990491 / 990492 / 990500 / 990519 / 990525 / 990527 / 990529	26/02/07 00/00/00	●
M2	965320	VENTIL+GRIGL+COND.EL. 5MF D=350 FAN+GRID+EL.COND. 5MF D=350	990531 / 990533	26/02/07 00/00/00	●
M2	995525	MOTORE+VENTOLA COND. STVF 93-139 FAN + CONDENSER STVF 93-139	990353 / 990354 / 990356 / 990362 / 990365 / 990469 / 990492 / 990592 / 990594 / 990599 / 990652 / 990654	21/11/05 00/00/00	●
M2	995635	VENTIL. PIATTO D=120 230V 4715MS-23T-B FLAT FAN D=120 230V 4715MS-23T-B	990369 / 990370 / 990371 / 990372 / 990373 / 990374 / 990375 / 990376 / 990377 / 990378 / 990379 / 990380 / 990381 / 990382 / 990383 / 990384 / 990526 / 990528 / 990532	01/01/95 00/00/00	●
M2	965782	MOTORE CONDENSATORE ELC PER VENT D=200 ELC FOR CONDENSER FAN D=200	990503	03/03/07 00/00/00	●
M2	995884	MOTOVENTILATORE FRASCOLD 'USAF02-350' FRASCOLD 'USAF02-350' CONDENSER FAN	990214 / 990260 / 990261 / 990262 / 990543	11/04/01 00/00/00	●
M2	995885	MOTOVENTILATORE FRASCOLD 'USAF03-400' FRASCOLD 'USAF03-400' CONDENSER FAN	965667 / 965787 / 990215 / 990263 / 990264 / 990266 / 990465 / 990480 / 990544 / 990545 / 990546 / 990601 / 990608	11/04/01 00/00/00	●
M2	995886	MOTOVENTILATORE FRASCOLD 'USAF04-450' FRASCOLD 'USAF04-450' CONDENSER FAN	990265 / 990267 / 990268 / 990270 / 990275 / 990464 / 990466 / 990467 / 990547 / 990548 / 990549 / 990550 / 990556	11/04/01 00/00/00	●
M2	996059	MOTOVENTILATORE FRASCOLD 'USAF10-500' FRASCOLD 'USAF10-500' CONDENSER FAN	990269 / 990271 / 990272 / 990273 / 990551 / 990553 / 990554 / 990555 / 996392 / 996393	11/04/01 00/00/00	●
M2	996161	MOTORE+VENTOLA COND. STVF 273 FAN + CONDENSER STVF 273	990359 / 990361 / 990367 / 990597 / 990607 / 990651 / 990656 / 990660	02/10/02 00/00/00	●
kit M2	965318	ASS.VENTIL.ELCO D=200-34°-VNT10-20+CON ELCO FAN ASSEMBLY D=200-34°-VNT10-20+CON	990503	08/03/07 00/00/00	●
kit M2	995526	MOTORE+VENTOLA COND. STVF 124/194 MOTOR + BLADE FOR CONDENSER STVF 124/194	990355 / 990357 / 990358 / 990360 / 990363 / 990364 / 990366 / 990460 / 990593 / 990595 / 990598 / 990650 / 990653 / 990655	02/10/02 00/00/00	●
kit M2	965800	VENTIL.D250 SZ-FM1 X UMC H2O SERIE A-B-D D250 SZ-FM1 FAN FOR WATER UMC A-B-D SER,	990278 / 990557	_/_/_ 00/00/00	●
kit M2	965810	VENTIL.D250 SZ-FM9 X UMC H2O SERIE Q D250 SZ-FM9 FAN FOR WATER UMC Q SERIES	990282 / 990560 / 990565	_/_/_ 00/00/00	●
kit M2	965820	VENTIL.D300 SZ-FM2 X UMC H2O SERIE S-V D300 SZ-FM2 FAN FOR WATER UMC S-V SERIES	990283 / 990562 / 990567	_/_/_ 00/00/00	●
kit M2	996676	KIT VENTILATORE PIATTO D=120 230V FLAT FAN KIT D=120 230V	990369 / 990370 / 990371 / 990372 / 990373 / 990374 / 990375 / 990376 / 990377 / 990378 / 990379 / 990380 / 990381 / 990382 / 990383 / 990384	_/_/_ 00/00/00	●
P	965300	PRESSOSTATO DOPPIO CONTR. HP-LP KP 17W DOUBLE CONTR. PRESS. SWITCH HP-LP KP 17W	990531 / 990533	23/02/07 00/00/00	

referime. reference	codice code	descrizione description	modello model	da...a from..to	ricambi cons. rec. spare part
P	995240	PRESSOSTATO KP 5 AUTOMATICO HP AUTOMATIC PRESSURE SWITCH KP 5 HP	990353 / 990354 / 990355 / 990356 / 990357 / 990358 / 990359 / 990360 / 990361 / 990362 / 990363 / 990364 / 990365 / 990366 / 990367 / 990369 / 990370 / 990371 / 990372 / 990373 / 990374 / 990375 / 990376 / 990377 / 990378 / 990379 / 990380 / 990381 / 990382 / 990383 / 990384 / 990460 / 990462 / 990464 / 990465 / 990466 / 990467 / 990469 / 990492 / 990526 / 990528 / 990543 / 990544 / 990545 / 990546 / 990547 / 990548 / 990549 / 990550 / 990551 / 990552 / 990553 / 990554 / 990555 / 990556 / 990572 / 990601 / 990607 / 990608 / 990609 / 990610 / 990613 / 990652 / 990653 / 990654 / 990655 / 990656 / 990660 / 990661 / 990662	01/01/95 00/00/00	
P	995241	PRESSOSTATO KP 15 AUTOMATICO AUTOMATIC PRESSURE KP 15	990212 / 990491 / 990492 / 990500 / 990503 / 990507 / 990513 / 990515 / 990517 / 990519 / 990525 / 990526 / 990527 / 990528 / 990529 / 990592 / 990593 / 990594 / 990595 / 990597 / 990598 / 990599 / 990650 / 990651	01/01/95 00/00/00	
P	996123	PRESSOSTATO KP 2 AUTOMATICO LP AUTOMATIC PRESSURE SWITCH KP 2 LP	990462 / 990464 / 990465 / 990466 / 990467 / 990543 / 990544 / 990545 / 990546 / 990547 / 990548 / 990549 / 990550 / 990551 / 990552 / 990553 / 990554 / 990555 / 990556 / 990561 / 990572 / 990601 / 990608 / 990609 / 990610 / 990661 / 990662	01/01/95 00/00/00	
P	996412	PRESSOSTATO HP KP 5 RIAR.MANUALE MANUAL PRESSURE SWITCH HP KP 5	965667 / 965787 / 990214 / 990215 / 990260 / 990261 / 990262 / 990263 / 990264 / 990265 / 990266 / 990267 / 990268 / 990269 / 990270 / 990271 / 990272 / 990273 / 990275 / 990278 / 990279 / 990280 / 990282 / 990283 / 990464 / 990465 / 990466 / 990467 / 990480 / 990543 / 990544 / 990545 / 990546 / 990547 / 990548 / 990549 / 990550 / 990551 / 990553 / 990554 / 990555 / 990556 / 990557 / 990558 / 990559 / 990560 / 990562 / 990565 / 990567 / 996392 / 996393	_/_/_ 00/00/00	
PI	965683	PIEDINO SUPPORTO UNITA' CONDENS. CE AB FOOT SUPPORT FOR REMOTE UNITE CR BC	990212 / 990213 / 990298 / 990299 / 990583	_/_/_ 00/00/00	
PI	996611	PIEDINO REGOLABILE M8 D40 ADJUSTABLE FOOT M8 D40	990353 / 990354 / 990355 / 990356 / 990357 / 990358 / 990359 / 990360 / 990361 / 990362 / 990363 / 990364 / 990365 / 990366 / 990367 / 990368 / 990369 / 990370 / 990371 / 990372 / 990373 / 990374 / 990375 / 990376 / 990377 / 990378 / 990379 / 990380 / 990381 / 990382 / 990383 / 990384 / 990460 / 990469 / 990492 / 990592 / 990593 / 990594 / 990595 / 990597 / 990598 / 990599 / 990650 / 990651 / 990652 / 990653 / 990654 / 990655 / 990656 / 990660	_/_/_ 00/00/00	
PQ	996632	PROTETT.TERM. MRP00AMK (ALT. T0425-22) THERMAL PROT. MRP00AMK (ALT. T0425-22)	990492	_/_/_ 00/00/00	
Q	996016	RELE' AVVIAMENTO DANFOSS '117U6000' STARTING RELAY DANFOSS '117U6000'	990353 / 990369	16/04/02 21/01/07	●
Q	996017	RELE' AVVIAMENTO DANFOSS '117U6003' STARTING RELAY DANFOSS '117U6003'	990356 / 990372	16/04/02 12/03/06	●
Q	996018	RELE' AVVIAMENTO DANFOSS '117U6005' STARTING RELAY DANFOSS '117U6005'	990357 / 990362 / 990373 / 990378	22/05/00 00/00/00	●
Q	996019	RELE' AVVIAMENTO DANFOSS '117U6010' STARTING RELAY DANFOSS '117U6010'	990355 / 990371	22/05/00 00/00/00	●
Q	996020	RELE' AVVIAMENTO DANFOSS '117U6015' STARTING RELAY DANFOSS '117U6015'	990353 / 990354 / 990369 / 990370	22/05/00 00/00/00	●
Q	996020	RELE' AVVIAMENTO DANFOSS '117U6015' STARTING RELAY DANFOSS '117U6015'	90354 / 990370	16/04/02 05/11/06	●
Q	996021	RELE' AVVIAMENTO DANFOSS '117U6019' STARTING RELAY DANFOSS '117U6019'	990315 / 990358 / 990363 / 990374 / 990379 / 990503 / 990592 / 990593 / 990652 / 990653	22/05/00 00/00/00	●
Q	996548	RELE' AVVIAMENTO DANFOSS '117U6016' STARTING RELAY DANFOSS '117U6016'	990354 / 990370	22/05/00 00/00/00	●

riferime. reference	codice code	descrizione description	modello model	da...a from..to	ricambi cons. rec. spare part
Q	996549	RELE' AVVIAMENTO DANFOSS '117U6022' STARTING RELAY DANFOSS '117U6022'	990372	_/_/_ 00/00/00	●
Q	996631	RELE AVV. 9660 A 158 (ALT. MTRP51-27) STARTING RELAY 9660 A 158 (ALT. MTRP51-27)	990492	_/_/_ 00/00/00	●
Q	996751	RELE' AVVIAMENTO DANFOSS '117U6013' STARTING RELAY DANFOSS '117U6013'	990594 / 990654	01/01/08 00/00/00	●
Q3	996405	MODULO CTRL TERM.KRIWAN INT69 FRASCOLD THERMICAL CONTROL KRIWAN MOD. INT69 FR.	965667 / 965787 / 990214 / 990215 / 990260 / 990261 / 990262 / 990263 / 990264 / 990265 / 990266 / 990267 / 990268 / 990269 / 990270 / 990271 / 990272 / 990273 / 990275 / 990278 / 990279 / 990280 / 990282 / 990283 / 990464 / 990465 / 990466 / 990467 / 990543 / 990544 / 990545 / 990546 / 990547 / 990480 / 990548 / 990549 / 990550 / 990551 / 990553 / 990554 / 990555 / 990556 / 990557 / 990558 / 990559 / 990560 / 990561 / 990562 / 990563 / 990564 / 990565 / 990566 / 990567 / 990568 / 990569 / 990570 / 990572 / 990601 / 990608 / 990609 / 990610 / 990661 / 990662 / 996392 / 996393	13/09/06 00/00/00	●
QC	965217	QUADRO EL. UMC TRIFASE 6-10 A CE AB THREE-PHASE UMC EL.BOARD 6-10 A C.ROOM	990260	10/06/05 00/00/00	
QC	965218	QUADRO EL. UMC TRIF-9-14A CE AB MONOFA THREE-PHASE UMC EL. BOARD CR BC MONOPH.	990214 / 990215 / 990261 / 990262 / 990263 / 990264 / 990266 / 990278 / 990279 / 990280 / 990282	10/06/05 00/00/00	
QC	965219	QUADRO EL. UMC TRIF-9-14A CE AB TRIFAS THREE-PHASE UMC 9-14A COLD ROOM	990265	10/06/05 00/00/00	
QC	965220	QUADRO EL. UMC TRIFASE 17-23 A CE AB THREE-PHASE UMC 17-23 A COLD ROOM	990267 / 990268 / 990269 / 990270 / 996392	10/06/05 00/00/00	
QC	965221	QUADRO EL. UMC TRIFASE 25-40 A CE AB THREE-PHASE UMC 25-40 A COLD ROOM	990271 / 990272 / 996393	10/06/05 00/00/00	
QC	965222	QUADRO EL. UMC TRIFASE 40-63 A CE AB THREE-PHASE UMC 40-63 A COLD ROOM	990273 / 990275	10/06/05 00/00/00	
QC	965668	QUADRO EL.UMC TRIFASE 9-14 A THREE-PHASE ELECTRIC BOARD UMC 9-14 A	990465 / 990467 / 990543 / 990544 / 990545 / 990546	_/_/_ 00/00/00	
QC	965669	QUADRO EL.UMC TRIFASE 9-14 A VENT TRI THREE-PHASE ELECTRIC BOARD UMC 9-14 A	990547	_/_/_ 00/00/00	
QC	965670	QUADRO EL.UMC TRIF.17-23 A CE AB DOL THREE-PH. UMC EL. BOARD 17-23 A CR BC D.	990464 / 990466 / 990548 / 990549 / 990550 / 990551	_/_/_ 00/00/00	
QC	965671	QUADRO EL.UMC H20 9-14A EVC DOL UMC ELECTRIC BOARD H20 9-14A EVC DOL	990557 / 990558 / 990559 / 990560	_/_/_ 00/00/00	
QC	965672	QUADRO EL.UMC H20 17-23 A DOL UMC ELECTRIC BOARD H20 17-23 A DOL	990562 / 990565 / 990567	_/_/_ 00/00/00	
QC	965684	QUADRO EL.UMC TRIF.25-40 A PWS THREE-PH. UMC EL. BOARD 25-40 A PWS	990554	_/_/_ 00/00/00	
QC	965685	QUADRO EL.UMC TRIF.40-63 A PWS THREE-PH. UMC EL. BOARD 40-63 A PWS	990555 / 990556	_/_/_ 00/00/00	
QC	965686	QUADRO EL.UMC TRIF.25-40A PWS S/POM THREE-PHASE UMC EL. BOARD 25-40A PWS S/P	990553	_/_/_ 00/00/00	
QC	965791	QUADRO EL. UMC TRIF 17-23 A CE AB(T) THREE-PHASE UMC EL. BOARD 17-23 A C.ROOM	990283	_/_/_ 00/00/00	
QC	965834	QUADRO EL.UMC 200/3/60 25 A 200/3/60 25 A UMC ELECTRIC BOARD	990480	24/05/06 00/00/00	

referime. reference	codice code	descrizione description	modello model	da...a from..to	ricambi cons. rec. spare part
QC	996291	KIT SCATOLA EL.COMPR. SERIE 'D' FR COMPRESSOR EL. BOX 'D' SERIES FRASCOLD	990278 / 990557	09/05/05 00/00/00	
QC	996292	KIT SCATOLA EL.COMPR. SERIE 'F' FR COMPRESSOR EL. BOX 'F' SERIES FRASCOLD	990279 / 990280 / 990558 / 990559	09/05/05 00/00/00	
QC	996293	KIT SCATOLA EL.COMPR. SERIE 'Q' FR COMPRESSOR EL. BOX 'Q' SERIES FRASCOLD	990282 / 990560 / 990565	09/05/05 00/00/00	
QC	996294	KIT SCATOLA EL.COMPR. SERIE 'S' FR COMPRESSOR EL. BOX 'S' SERIES FRASCOLD	990283 / 990562 / 990567	09/05/05 00/00/00	
R	995434	RUBINETTO 3 VIE 1/4' 1/4' 6 ODS 0 THREE-WAY COCK 1/4' 1/4' 6 ODS 0	990315 / 990353 / 990354 / 990355 / 990356 / 990357 / 990358 / 990360 / 990362 / 990363 / 990364 / 990365 / 990366 / 990369 / 990370 / 990371 / 990372 / 990373 / 990374 / 990376 / 990378 / 990379 / 990380 / 990381 / 990382 / 990460 / 990469 / 990492 / 990503 / 990507 / 990513 / 990515 / 990517 / 990592 / 990593 / 990594 / 990595 / 990598 / 990599 / 990607 / 990613 / 990650 / 990652 / 990653 / 990654 / 990655	01/01/95 00/00/00	
R	995435	RUBINETTO 3 VIE 1/4' 3/8' 10 ODS THREE-WAY COCK 1/4' 3/8' 10 ODS	990315 / 990355 / 990356 / 990357 / 990358 / 990360 / 990363 / 990364 / 990365 / 990366 / 990371 / 990372 / 990373 / 990374 / 990376 / 990379 / 990380 / 990381 / 990382 / 990460 / 990492 / 990517 / 990526 / 990593 / 990594 / 990595 / 990598 / 990599 / 990607 / 990613 / 990650 / 990653 / 990654 / 990655	01/01/95 00/00/00	
R	995675	RUBINETTO 3 VIE 1/4' 1/2' 12 ODS THREE-WAY COCK 1/4' 1/2' 12 ODS	990359 / 990361 / 990367 / 990368 / 990375 / 990377 / 990383 / 990384 / 990491 / 990492 / 990500 / 990519 / 990525 / 990526 / 990527 / 990528 / 990529 / 990531 / 990532 / 990533 / 990597 / 990651 / 990656 / 990660	01/01/95 00/00/00	
R	995676	RUBINETTO 3 VIE 5/8"RE 5,5 THREE-WAY COCK 5/8"RE 5,5	990531 / 990532 / 990533	01/01/95 00/00/00	
R	995677	RUBINETTO 3 VIE 1/4' 3/8' 8 ODS THREE-WAY COCK 1/4' 3/8' 8 ODS	990353 / 990354 / 990359 / 990361 / 990362 / 990367 / 990368 / 990369 / 990370 / 990375 / 990377 / 990378 / 990383 / 990384 / 990469 / 990491 / 990492 / 990500 / 990503 / 990507 / 990513 / 990515 / 990519 / 990525 / 990527 / 990528 / 990529 / 990592 / 990597 / 990651 / 990652 / 990656 / 990660	01/01/95 00/00/00	
R5	965790	RESISTENZA CARTER 150W PER UMC HEATER SUMP 150W	990271 / 990272 / 990273 / 990275 / 990553 / 990554 / 990555 / 990556 / 996393	_/_/_ 00/00/00	●
R5	995891	RESISTENZA CARTER 50W FRASCOLD HEATER SUMP 50W FRASCOLD	965667 / 965787 / 990214 / 990215 / 990260 / 990261 / 990262 / 99263 / 990264 / 990278 / 990465 / 990543 / 990544 / 990545 / 990557 / 990607 / 990608 / 990613	15/01/99 00/00/00	●
R5	995892	RESISTENZA CARTER 70W FRASCOLD HEATER SUMP 50W FRASCOLD	990265 / 990266 / 990267 / 990268 / 990269 / 990270 / 990279 / 990280 / 990282 / 990283 / 990464 / 990466 / 990467 / 990480 / 990546 / 990547 / 990548 / 990549 / 990550 / 990551 / 990558 / 990559 / 990560 / 990562 / 990565 / 990567 / 990601 / 996392	15/01/99 00/00/00	●
RD	965687	RACCORDO NIPPO DRITTO 1/4SAE-1/4NPT(C) STRIGHT NIPPLE JOINT 1/4SAE-1/4NPT	990549 / 990609 / 990662	_/_/_ 00/00/00	
RD	965688	RACCORDO NIPPO DRITTO 1/4SAE-1/8NPT STRIGHT NIPPLE JOINT 1/4SAE-1/8NPT	990543 / 990544 / 990545 / 990546 / 990547 / 990548 / 990550 / 990551 / 990552 / 990554 / 990556 / 990572 / 990601 / 990608 / 990609 / 990610 / 990662	_/_/_ 00/00/00	
RF	996140	RACCORDO FILETTATO OT 1/4' SAE D=6 NIPPLE OT 1/4' SAE D=6	990503 / 990526 / 990592 / 990593 / 990594 / 990595 / 990597 / 990598 / 990599 / 990607 / 990613 / 990650 / 990651 / 990652 / 990653 / 990654 / 990655 / 990656 / 990660	28/10/08 00/00/00	
RF	996142	RACCORDO FILETTATO OT 3/8' SAE D=8 NIPPLE OT 3/8' SAE D=8	990526 / 990592 / 990597 / 990603 / 990607 / 990613 / 990651 / 990652 / 990656 / 990660	28/10/08 00/00/00	
RF	996145	RACCORDO FILETTATO OT 1/2' SAE D=12 NIPPLE OT 1/2' SAE D=12	990526 / 990597 / 990651 / 990656 / 990660	14/07/09 00/00/00	

referime. reference	codice code	descrizione description	modello model	da...a from..to	ricambi cons. rec. spare part
RDT	996653	RACCORDO X TUBO TERMP. DRITTO 1/4SAE THERMOPL. TUBE JOINT - STRIGHT 1/4SAE	990543 / 990544 / 990545 / 990546 / 990547 / 990548 / 990549 / 990550 / 990551 / 990552 / 990553 / 990554 / 990555 / 990556 / 990561 / 990568 / 990572 / 990601 / 990607 / 990608 / 990609 / 990610 / 990613 / 990661 / 990662	__/_ 00/00/00	
RG	965689	RACCORDO A GOMITO 90° 1/4SAE-1/8NPT ELBOW NIPPLE JOINT 90° 1/4SAE-1/8NPT	990543 / 990544 / 990545 / 990546 / 990547 / 990548 / 990549 / 990550 / 990551 / 990552 / 990553 / 990554 / 990555 / 990556 / 990561 / 990572 / 990601 / 990608 / 990610	__/_ 00/00/00	
RG	965690	RACCORDO A GOMITO 90° 1/4SAE-1/4NPT ELBOW NIPPLE JOINT 90° 1/4SAE-1/4NPT	990464 / 990465 / 990467 / 990549 / 990550 / 990551 / 990552 / 990553 / 990554 / 990555 / 990556 / 990568 / 990572	__/_ 00/00/00	
RGT	996654	RACCORDO X TUBO TERMP. 90° 1/4SAE THERMOPL. TUBE JOINT - ELBOW 1/4SAE	990543 / 990544 / 990545 / 990546 / 990547 / 990548 / 990549 / 990550 / 990551 / 990552 / 990553 / 990554 / 990555 / 990556 / 990572 / 990601 / 990607 / 990608 / 990609 / 990610 / 990613 / 990661 / 990662	__/_ 00/00/00	
RL	965374	RICEVITORE LIQUIDO V=1,5 LIQUID RECEIVER V=1,5	990491 / 990492 / 990527 / 990528 / 990529 / 990607 / 990613 / 990651	__/_ 00/00/00	
RL	965612	RICEVITORE LIQUIDO 5,6 LITRI CAT.1 MOD LIQUID RECEIVER 5,6 LITERS	990531 / 990532 / 990533	__/_ 00/00/00	
RL	995128	RICEVITORE DI LIQUIDO 1,6 LITRI LIQUID RECEIVER 1,6 LITERS	990359 / 990361 / 990367 / 990375 / 990377 / 990383 / 990384 / 990526 / 990597 / 990656 / 990660	01/01/95 00/00/00	
RL	995161	RICEVITORE DI LIQUIDO 0,85 LITRI LIQUID RECEIVER 0,85 LITERS	990315 / 990355 / 990357 / 990358 / 990360 / 990363 / 990364 / 990366 / 990371 / 990373 / 990374 / 990376 / 990379 / 990380 / 990382 / 990460 / 990500 / 990515 / 990519 / 990525 / 990593 / 990594 / 990595 / 990598 / 990599 / 990650 / 990653 / 990654 / 990655	01/01/95 00/00/00	
RL	995887	RICEVITORE LIQUIDO FRASCOLD 'USLR06' LIQUID RECEIVER FRASCOLD 'USLR06'	990214 / 990260 / 990261 / 990262 / 990543	11/04/01 00/00/00	
RL	995888	RICEVITORE LIQUIDO FRASCOLD 'USLR07' LIQUID RECEIVER FRASCOLD 'USLR07'	965667 / 965787 / 990215 / 990263 / 990264 / 990266 / 990465 / 990480 / 990544 / 990545 / 990546 / 990601 / 990608	11/04/01 00/00/00	
RL	995889	RICEVITORE LIQUIDO FRASCOLD 'USLR12' LIQUID RECEIVER FRASCOLD 'USLR12'	990265 / 990267 / 990268 / 990270 / 990464 / 990466 / 990467 / 990547 / 990548 / 990549 / 990550	11/04/01 00/00/00	
RL	995906	RICEVITORE DI LIQUIDO 0,58 LITRI LIQUID RECEIVER 0,58 LITERS	990353 / 990354 / 990356 / 990362 / 990365 / 990369 / 990370 / 990372 / 990378 / 990381 / 990469 / 990492 / 990503 / 990507 / 990513 / 990517 / 990592 / 990652	08/10/98 00/00/00	
RL	996060	RICEVITORE LIQUIDO FRASCOLD 'USLR20' LIQUID RECEIVER 'USLR20 FRASCOLD	990269 / 990271 / 990272 / 990273 / 990275 / 990551 / 990553 / 990554 / 990555 / 990556 / 996392 / 996393	11/04/01 00/00/00	
S/M2	996662	STAFFA SUPPORTO VENTILATORE COND.ACQUA STIRRUP SUPPORT OF WATER COND. FAN	990369 / 990370 / 990371 / 990372 / 990373 / 990374 / 990375 / 990376 / 990526 / 990528	31/05/02 00/00/00	
SCE	965675	CASSETTA GEWISS GW44207 +PIASTRA GW446 GEWISS BOX GW44207 + GW446 PLATE	990212 / 990278 / 990279 / 990280 / 990282 / 990283 / 990298 / 990299 / 990491 / 990492 / 990500 / 990503 / 990507 / 990513 / 990515 / 990517 / 990519 / 990525 / 990526 / 990527 / 990528 / 990529 / 990531 / 990532 / 990533 / 990543 / 990557 / 990558 / 990559 / 990560 / 990562 / 990567 / 990607 / 990613	__/_ 00/00/00	
SCE	965789	CASSETTA GEWISS GW44004 GEWISS BOX GW44004	965667 / 965787 / 990214 / 990215 / 990260 / 990261 / 990262 / 990263 / 990264 / 990265 / 990266 / 990267 / 990268 / 990269 / 990270 / 990271 / 990272 / 990273 / 990275 / 990464 / 990465 / 990466 / 990467 / 990480	__/_ 00/00/00	
SCE	965789	CASSETTA GEWISS GW44004 GEWISS BOX GW44004	990543 / 990544 / 990545 / 990546 / 990547 / 990548 / 990549 / 990550 / 990551 / 990553 / 990554 / 990555 / 990556 / 990565 / 990601 / 990608 / 996392 / 996393	__/_ 00/00/00	
SCE	995053	CASSETTA GEWISS GW44205 120X80X50 GEWISS BOX GW44205 120X80X50	990650 / 990651 / 990592 / 990595 / 990597 / 990598 / 990595 / 990652 / 990653 / 990654 / 990655 / 990656 / 990660	26/01/05 00/00/00	
SPL	965846	SPIA LIQUIDO TOOSOS13 PER UMC LIQUID INDICATOR TOOSOS13 FOR UMC		__/_ 00/00/00	

riferime. reference	codice code	descrizione description	modello model	da...a from..to	ricambi cons. rec. spare part
SPL	965847	SPIA LIQUIDO T00S0S14 PER UMC LIQUID INDICATOR T00S0S14 FOR UMC	990266 / 990267 / 990268 / 990269 / 990270 / 990278 / 990280 / 990282 / 990464 / 990466 / 990480 / 990546 / 990548 / 990550 / 990551 / 990559 / 990560 / 990565 / 990577 / 996392	_/_/_ 00/00/00	
SPL	965848	SPIA LIQUIDO T00S0S10 PER UMC LIQUID INDICATOR T00S0S10 FOR UMC	990271 / 990272 / 990553 / 990554 / 996393	_/_/_ 00/00/00	
SPL	996270	INDICATORE LIQU. SGN 6S ODFXODM 014-02 LIQUID INDICATOR SGN 6S ODFXODM 014-02	990315 / 990353 / 990354 / 990355 / 990356 / 990357 / 990358 / 990360 / 990362 / 990363 / 990364 / 990365 / 990366 / 990369 / 990370 / 990371 / 990372 / 990373 / 990374 / 990376 / 990378 / 990379 / 990380 / 990381 / 990382 / 990460 / 990469 / 990492 / 990652 / 990653 / 990654 / 990655	07/09/04 00/00/00	
SPL	996271	INDICATORE LIQU. SGN10S ODFXODM 014-02 LIQUID INDICATOR SGN10S ODFXODM 014-02	990212 / 990359 / 990361 / 990367 / 990368 / 990375 / 990377 / 990383 / 990384 / 990607 / 990613 / 990656	07/09/04 00/00/00	
TA	996669	TUBO ANTIVIB.MAND. UFX0160 FEED PIPE ANTI-VIBRATING UFX0160	990214 / 990261 / 990262 / 990278 / 990543 / 990577	_/_/_ 00/00/00	
TA	996670	TUBO ANTIVIB.MAND. UFX0190 FEED PIPE ANTI-VIBRATING UFX0190	965667 / 965787 / 990215 / 990264 / 990265 / 990280 / 990465 / 990467 / 990545 / 990559	_/_/_ 00/00/00	
TA	996671	TUBO ANTIVIB.MAND. UFX0220 FEED PIPE ANTI-VIBRATING UFX0220	990266 / 990480 / 990282 / 990546 / 990560	_/_/_ 00/00/00	
TA	996672	TUBO ANTIVIB.MAND. UFX0280 FEED PIPE ANTI-VIBRATING UFX0280	990267 / 990268 / 990269 / 990270 / 990271 / 990272 / 990464 / 990466 / 990548 / 990550 / 990551 / 990553 / 990554 / 990565 / 996392 / 996393	_/_/_ 00/00/00	
TA	996719	TUBO ANTIVIB.MAND.D=10 MM RV-VTG010 FEED PIPE ANTI-VIBRATING D=10 MM RV-VTG010	990607 / 990613	06/11/08 00/00/00	
TF	996590	TAPPO FUSIBILE UL A-14059 FUSE PLUG UL A-14059	990531 / 990532 / 990533	_/_/_ 00/00/00	
TFL	996148	TUBO FLEX GOMMA+CALZA 3/8M-1/2F L=200 FLEX PLAST. TUBE+BRAIDING 3/8M-1/2F L=200	990369 / 990370 / 990371 / 990372 / 990373 / 990374 / 990375 / 990376 / 990377 / 990378 / 990379 / 990380 / 990381 / 990382 / 990383 / 990384 / 990526 / 990528 / 990532 / 990613	09/05/02 00/00/00	
TFL	996149	TUBO FLEX GOMMA+CALZA 3/8M-1/2F L=300 FLEX PLAST. TUBE+BRAIDING 3/8M-1/2F L=300	990376 / 990377 / 990382 / 990383 / 990384 / 990526 / 990528 / 990532 / 990613	09/05/02 00/00/00	
TT	965838	TUBO FX TERMOPL. PER PRESS.KP5-HP L0,78 THERMOPL. TUBE - PR. SWITCH KP5-HP L0,78	3 / 4 HP	21/01/08 00/00/00	
TT	965839	TUBO FX TERMOPL. PER PRESS.KP2-LP L0,65 THERMOPL. TUBE - PR. SWITCH KP2-LP M0,65	3 / 4 HP	21/01/08 00/00/00	
TT	965840	TUBO FX TERMOPL. PER PRESS. KP5-HP M1,25 THERMOPL. TUBE - PR. SWITCH KP5-HP M1,25	5 HP	28/11/07 00/00/00	
TT	965841	TUBO FX TERMOPL. PER PRESS. KP2-LP M1,2 THERMOPL. TUBE - PR. SWITCH KP2-LP M1,2	5 HP	28/11/07 00/00/00	
TT	965842	TUBO FX TERMOPL. PER PRESS. KP5-HP M1,05 THERMOPL. TUBE - PR. SWITCH KP5-HP M1,05	7 / 10 HP	15/12/07 00/00/00	
TT	965843	TUBO FX TERMOPL. PER PRESS. KP2-LP M1,18 THERMOPL. TUBE - PR. SWITCH KP2-LP M1,18	7 / 10 HP	15/12/07 00/00/00	
TT	965844	TUBO FX TERMOPL. PER PRESS.KP5-HP L1,3 THERMOPL. TUBE - PR. SWITCH KP5-HP M1,3	7,5 HP	07/12/07 00/00/00	
TT	965845	TUBO FX TERMOPL. PER PRESS.KP2-LP L0,65 THERMOPL. TUBE - PR. SWITCH KP2-LP M0,65	7,5 HP	07/12/07 00/00/00	
V1	995336	VALVOLA SOLENOIDE 1/4'A SALDARE 230V SOLENOID VALVE 1/4'A TO SOLD 230V	990607 / 990613	28/10/08 00/00/00	

referime. reference	codice code	descrizione description	modello model	da...a from..to	ricambi cons. rec. spare part
V1	995508	VALVOLA SOLENOIDE 3/8" A SILDARE 230V SOLENOID VALVE 3/8" TO SOLD 230V	990613	09/12/09 00/00/00	
V1	995868	VALVOLA SOLENOIDE 1/2' 1078/M12S 24V SOLENOID VALVE 1/2' 1078/M12S 24V	990212	01/02/99 00/00/00	
VP	965852	VALVOLA PRESSOSTATICA DA 3/4" ACQUA PRESSURE SWITCH VALVE 3/4" WATER	990565	_/_/_ 00/00/00	
VP	995492	VALVOLA PRESSOSTATICA DA 3/8 ACQUA PRESSURE SWITCH VALVE 3/8 WATER	990369 / 990370 / 990371 / 990372 / 990373 / 990374 / 990375 / 990376 / 990377 / 990378 / 990379 / 990380 / 990381 / 990382 / 990383 / 990384 / 990526 / 990528 / 990532 / 990613	01/01/95 00/00/00	
VP	995680	VALVOLA PRESSOSTATICA DA 1/2" ACQUA PRESSURE SWITCH VALVE 1/2" WATER	990278 / 990280 / 990282 / 990559 / 990560 / 990577	01/01/95 00/00/00	
XS	965673	MORSETTO STAND. 4,0 MMQ SERRAGGIO A VI STANDARD TERMINAL 4,0 MMQ VI CAMPING	990212 / 990298 / 990299 / 990491 / 990492 / 990500 / 990503 / 990507 / 990513 / 990515 / 990517 / 990519 / 990525 / 990526 / 990527 / 990528 / 990529 / 990531 / 990532 / 990533 / 990607 / 990613	_/_/_ 00/00/00	
XT	965674	MORSETTO TERRA 4,0 MMQ SERRAGGIO A VI EARTH TERMINAL 4,0 MMQ FIXING SCREW	990212 / 990298 / 990299 / 990491 / 990492 / 990500 / 990503 / 990507 / 990513 / 990515 / 990517 / 990519 / 990525 / 990526 / 990527 / 990528 / 990529 / 990531 / 990532 / 990533 / 990607 / 990613	_/_/_ 00/00/00	
XT	995054	MORSETTO TERRA 2,5 MMQ SERRAGGIO A VITE EARTH TERMINAL 2,5 MMQ FIXING SCREW	990525 / 990526	15/04/08 00/00/00	
Y1	996049	TERMICA TELEMECANIQUE GV3-ME63 TELEMECANIQUE THERMAL GV3-ME63	990273 / 990275 / 990555 / 990556	21/02/01 00/00/00	●
Y1	995899	TERMICA TELEMECANIQUE GW2-ME16 TELEMECANIQUE THERMAL GW2-ME16	990214 / 990215 / 990261 / 990262 / 990263 / 990264 / 990265 / 990266 / 990278 / 990279 / 990280 / 990282 / 990465 / 990467 / 990543 / 990544 / 990545 / 990546 / 990547 / 990557 / 990558 / 990559 / 990560 / 990561 / 990563 / 990601	01/02/99 00/00/00	●
Y1	995900	TERMICA TELEMECANIQUE GW2-ME21 TELEMECANIQUE THERMAL GW2-ME21	990267 / 990268 / 990269 / 990270 / 996392 / 990464 / 990466 / 990548 / 990549 / 990550 / 990551 / 990562 / 990564 / 990565 / 990566 / 990567 / 990610 / 990662	01/02/99 00/00/00	●
Y1	996048	TERMICA TELEMECANIQUE GV3-ME40 TELEMECANIQUE THERMAL GV3-ME40	990271 / 990272 / 990283 / 990480 / 990552 / 990553 / 990554 / 990568 / 990569 / 990570 / 990609 / 996393 / 990661	21/02/01 00/00/00	●
Y1/Y2	965835	TERMICA GV2-ME063 TELEMECANIQUE 1-1,6 TELEMECANIQUE THERMAL GV2-ME063 1-1,6	990260	_/_/_ 00/00/00	●
Y2	996401	TERMICA TELEMECANIQUE GV2-ME05 0,63-1 TELEMECANIQUE THERMAL GV2-ME05 0,63-1	990465 / 990467 / 990480 / 990543 / 990544 / 990545 / 990546 / 990547 / 990557 / 990558 / 990559 / 990560 / 990561 / 990562 / 990563 / 990564 / 990565 / 990566 / 990567 / 990568 / 990569 / 990570 / 990601 / 990608 / 990610	11/09/06 00/00/00	●
Y2	995900	TERMICA TELEMECANIQUE GW2-ME21 TELEMECANIQUE THERMAL GW2-ME21	990608	28/10/08 00/00/00	●
Y2	995901	TERMICA TELEMECANIQUE GW2-ME07 TELEMECANIQUE THERMAL GW2-ME07	990214 / 990215 / 990261 / 990262 / 990263 / 990264 / 990265 / 990266 / 990267 / 990268 / 990269 / 990270 / 990271 / 990272 / 990273 / 990275 / 990278 / 990279 / 990280 / 990282 / 990283 / 996392 / 996393 / 990464 / 990466 / 990548 / 990549 / 990550 / 990551 / 990552 / 990553 / 990554 / 990609 / 990661 / 990662	01/02/99 00/00/00	●
Y2	995902	TERMICA TELEMECANIQUE GW2-ME083 TELEMECANIQUE THERMAL GW2-ME083	990555 / 990556 / 990572	01/02/99 00/00/00	●