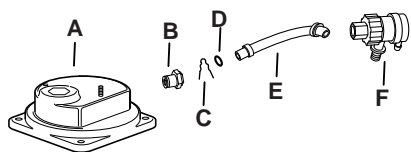


VERSIONE ELC.2

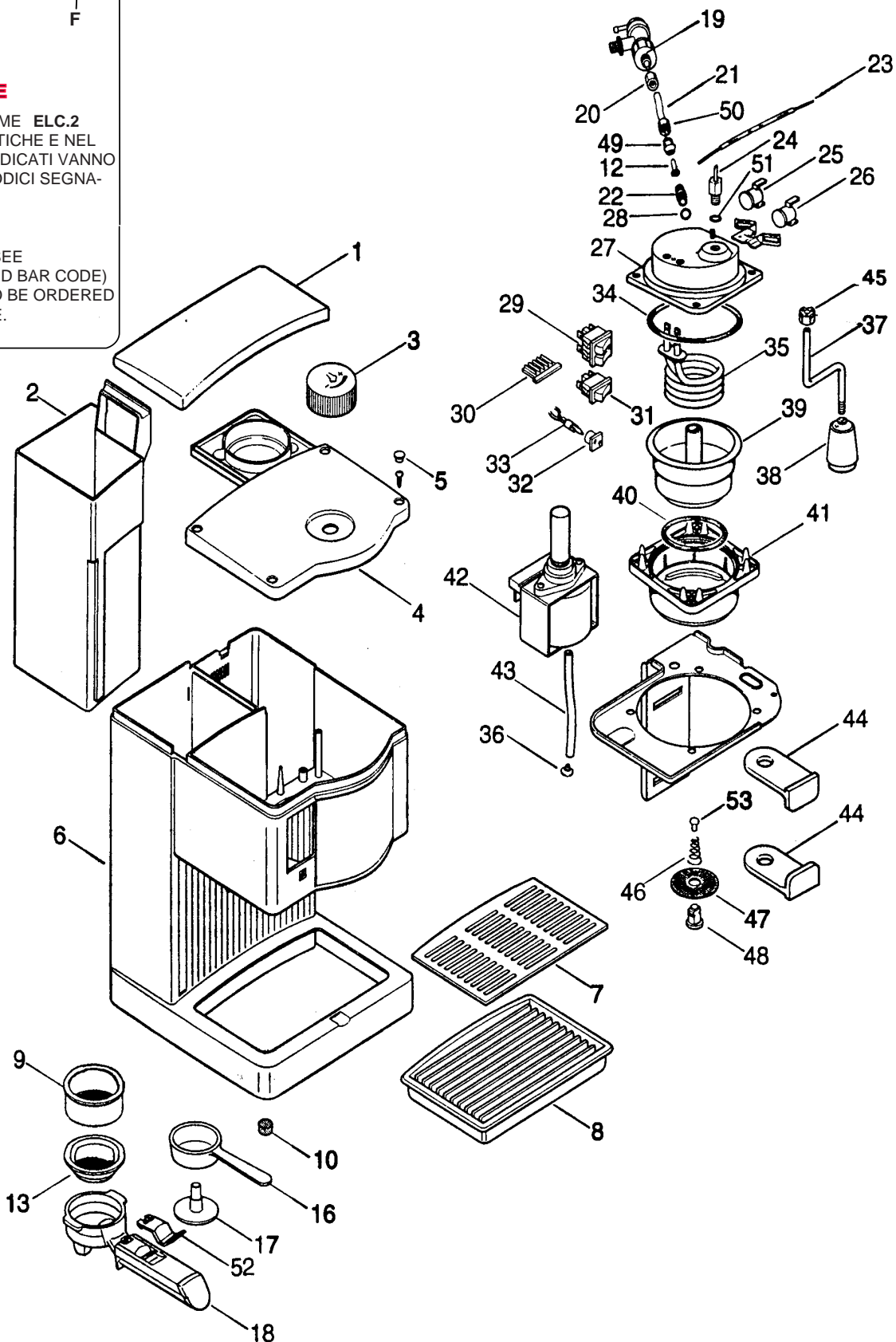


**ATTENZIONE**

PER I MODELLI INDICATI COME ELC.2 NELLA TARGA CARATTERISTICHE E NEL CODICE A BARRE: I PEZZI INDICATI VANNO ORDINATI UTILIZZANDO I CODICI SEGNALATI IN LETTERE

**ATTENTION**

FOR THE MODEL ELC.2 (SEE CHARACTERISTIC LABEL AND BAR CODE) THE SPARE PARTS HAVE TO BE ORDERED USING THE LETTERS ABOVE.



Position	Code	description
0	9811040850	SCREW
D	5313217701	O-RING D=3,85
C	6132101300	CLIP
F	7313286129	VALVE
	5313270059	HEATING ELEMENT SEAL
E	5532108300	TUBE L=240
	9815002850	INOX NUT M10 X 1.25 (BOILER/TAP)
B	6213210431	CONNECTION
	5332180400	SLIDING BLOCK BLACK(PA66)
0	9815003750	INOX NUT M8 X 1 (BOILER/JUNCTION)
001	535703	DOOR
002	5332111100	TANK
003	535704	KNOB
004	535701	COVER
005	535714	STOPPER
006	7332146200	BODY
007	7032100900	CUP PLATE
008	535705	CUP PLATE
009	607731	Large two-cup filter
010	535928	FOOT
012	621970	RING
013	607836	Small one-cup
016	5332169200	MEASURING SPOON
017	534381	PRESSING DEVICE
018	7332109900	SUMP
019	7313211921	VALVE
020	622189	NUT
021	535923	TUBE
022	7032103100	CONNECTION
023	511816	FUSE
024	7313281459	TAP
025	5232101300	THERMOSTAT 125°
026	5232100600	THERMOSTAT 105°
027	6813210411	BOILER UPPER
028	9850081500	WASHER
029	512770	SWITCH
030	535735	SPACER

031	5112610211	SWITCH
032	535929	LENS
033	513116	WARNING LIGHT
034	533216	GASKET
035	5513200799	HEATING Element ASSY
036	534632	FILTER
037	708847	TUBE
038	535708	FROTHER
039	6832101000	BOILER LOWER
040	533218	GASKET
041	707116	SUPPORT
042	5113211281	PUMP
043	5332107600	TUBE
044	534848	SUPPORT
045	535733	JOINT
046	6113211931	SPRING
047	611761	DIFFUSER
048	621964	DOWEL
049	621967	NOSE
050	621968	NUT
051	534710	GASKET
052	534714	LEVER
053	5332289700	VALVE