



**SPARE PARTS CATALOGUE
ERSATZTEILKATALOG
CATALOGUE PIECES DETACHEES
CATALOGO PARTI RICAMBIO
CATALOGO DE PIEZAS DE RECAMBIO
CATALOGO PEÇAS DE REPOSICAO**

AK 902

13-07-2012

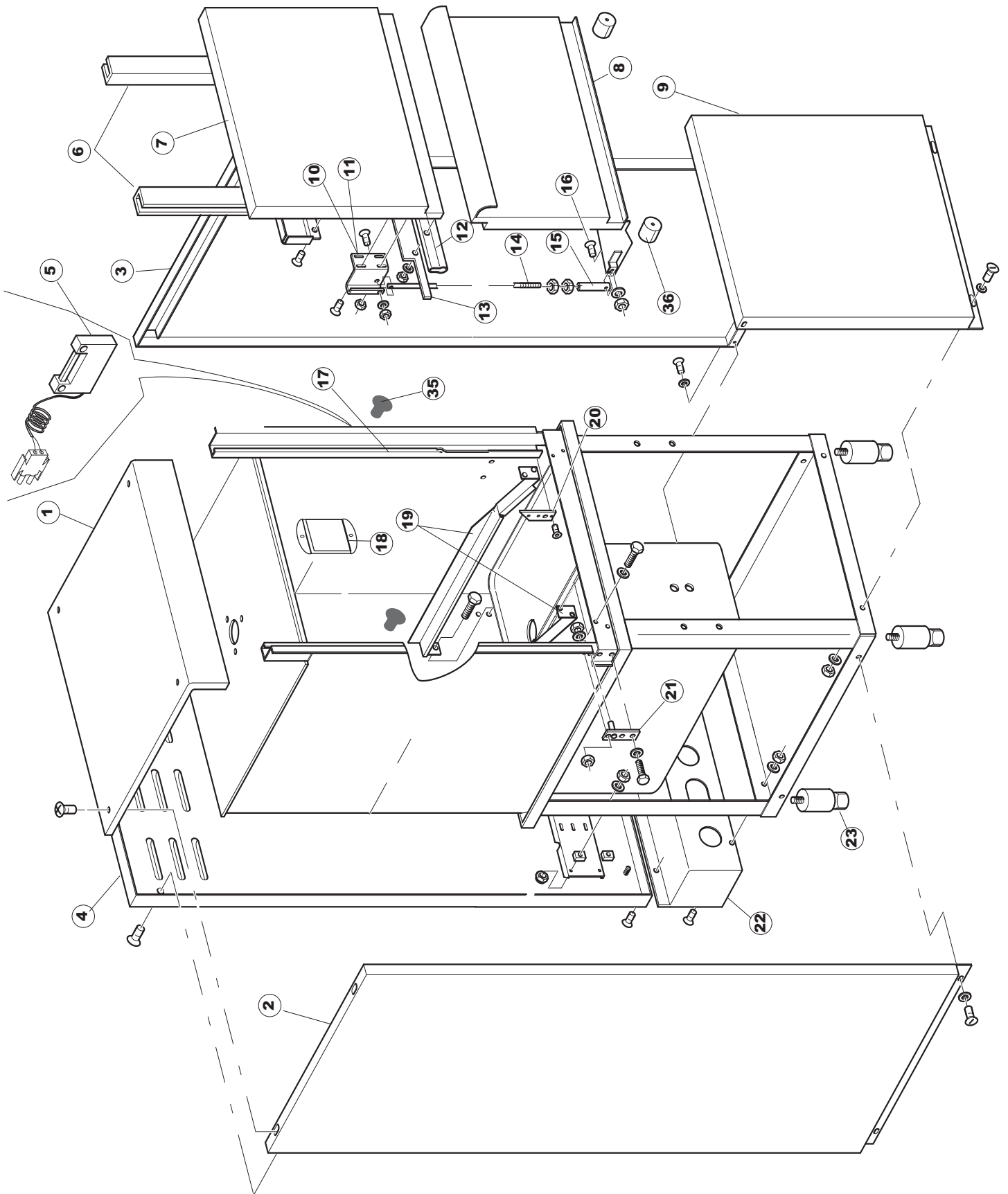
Tav.1: Carrozzeria
Tav.2: Impianto elettrico
Tav.3: Componenti in vasca
Tav.4: Circuito di lavaggio
Tav.5: Circuito di risciacquo
Tav.6: Lance di lavaggio
Tav.7: Pompa di lavaggio

Tav.1: Machine body
Tav.2: Electrical components
Tav.3: Components in the tank
Tav.4: Washing circuit
Tav.5: Rinsing circuit
Tav.6: Washing arms
Tav.7: Washing pump

Tab.1: Carrocería
Tab.2: Instalación eléctrica
Tab.3: Componentes en cuba
Tab.4: Circuito de lavado
Tab.5: Circuito d'enjuague
Tab.6: Brazos de lavado
Tab.7: Bomba de lavado

Tab.1: Carrosserie
Tab.2: Installation électrique
Tab.3: Composants de cuve
Tab.4: Circuit de lavage
Tab.5: Circuit de rinçage
Tab.6: Bras de lavage
Tab.7: Pompe de lavage

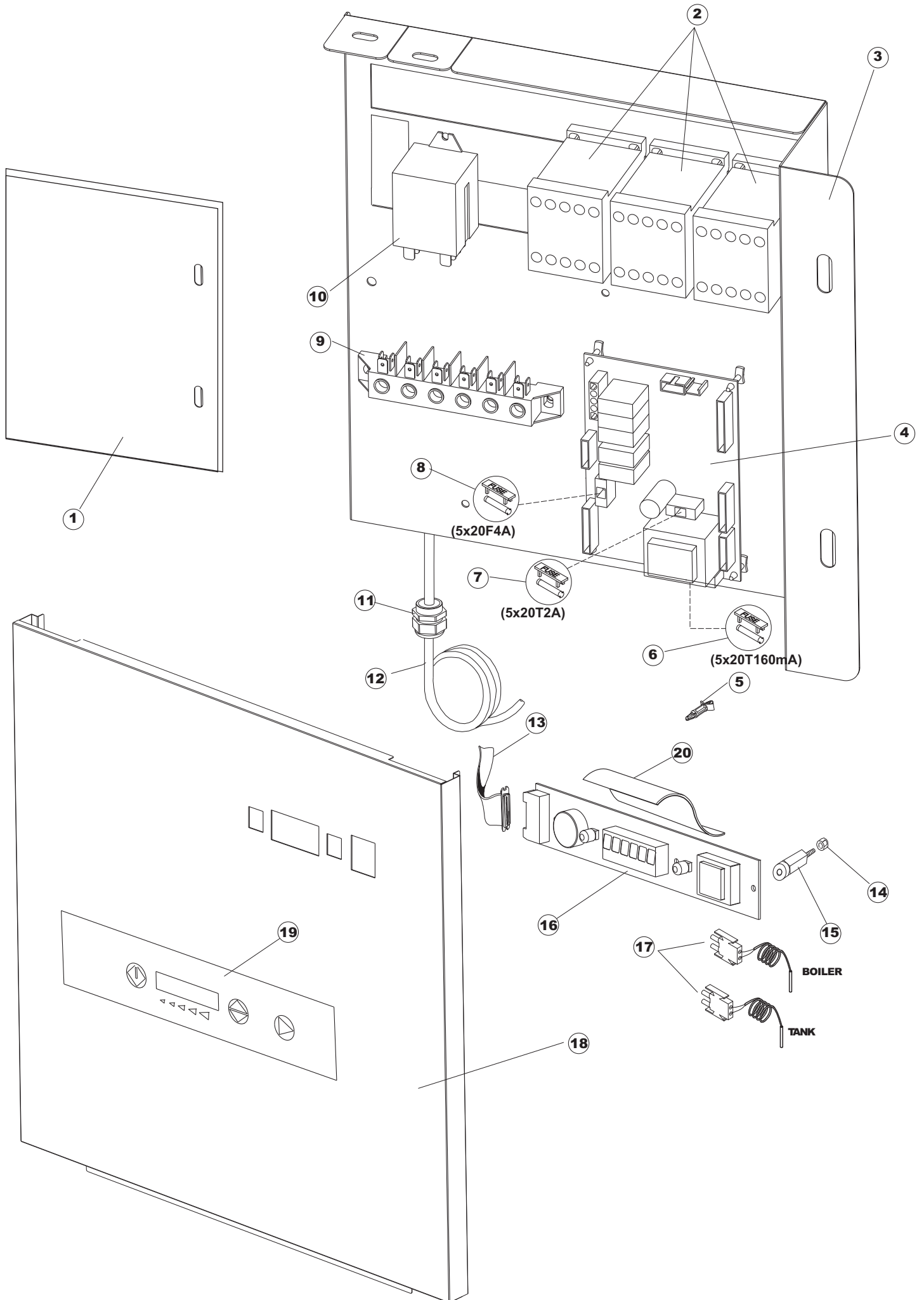
Taf.1: Verkleidung
Taf.2: Elektrische Anlage
Taf.3: Bauteile im Waschtank
Taf.4: Spuelschaltung
Taf.5: Nachspuelschaltung
Taf.6: Wascharmee
Taf.7: Spuelpumpe



Listino componenti per pagina 1

1	41118	PANNELLO SUPERIORE HAUT PANNEAU OBER PANEEL TOP PANEL panel superior	
2	44810	PANNELLO LATERALE SINISTRO PANNEAU LATERAL GAUCHE LINKEN SEITENWAND LEFT SIDE PANEL PANEL LATERAL IZQUIERDO	
3	44814	PANNELLO LATERALE DESTRO PANNEAU LATERAL DROITE REICHT SEITENWAND RIGHT SIDE PANEL PANEL LATERAL DERECHO	
4	44122	PANNELLO POSTERIORE PANNEAU ARRIERE RUECKWAND BACK PANEL PANEL TRASERO	
5	80871	MICRO MAGNETICO CONTACTE MAGNETIQUE TUERKONTAKTSCHALTER MAGNETIC DOOR SWITCH CONTACTO MAGNETICO	
6	44265	GUIDA PORTA GUIDE GLISSANTE PORTE SUPERIEURE TUER-GLEITENDER BAHN - OBEN - FUER KOCHT DOOR SLIDING GUIDE - UPPER GUIA PUERTA	
7	44360	PORTA SUPERIORE PORTE SUPERIEURE OBEN TUR UPPER DOOR PUERTA SUPERIOR	
8	44550	PORTA INFERIORE PORTE INFERIEURE UNTERE TUR LOWER DOOR PUERTA INFERIOR	
9	41326	PANNELLO ANTERIORE PANNEAU AVANT VORDERPANEEL FRONT PANEL PANEL FRONTAL	
10	4108701	STAFFA DESTRA PORTA console de support CHAUDIÈRE WARMWASSERBEREITER Stützwinkel BOILER BRACKET DERECHA TOPE PUERTA	
11	4108801	STAFFA SINISTRA PORTA console de support Stützwinkel support bracket ménsula de soporte	
12	41583	GUARNIZIONE PORTA JOINT POUR PORTE TUERDICHTUNG DOOR GASKET JUNTA PUERTA	
13	41582	STAFFA GUARNIZIONE PORTA SUPPORT JOINT PORTE SUPERIEURE HALTERUNG FUER TUERPACKUNG - OBEN FUER K DOOR PACKING SUPPORT - UPPER SOPORTE JUNTA PUERTA SOP. U61. .	
14	44593	TIRANTE PORTA TIRANT PORTE HEBEL TUER MONT DOOR LEVER TIRANTE PUERTA	
15	41095	BOCCOLA SUPERIORE TIRANTE SPORTELLO PER LAVAPENTC BOUCLE SUPERIEURE TIRANT PORTE POUR LAVE -CASSEROI OBERE BUCHSE FUER TUER-ZUGSTANGE FUER KO CHTOEPF UPPER BUSH FOR DOOR TIE FOR POT AND PAN WASHERS CASQUILLO TIRANTE PUERTA 610/610H	

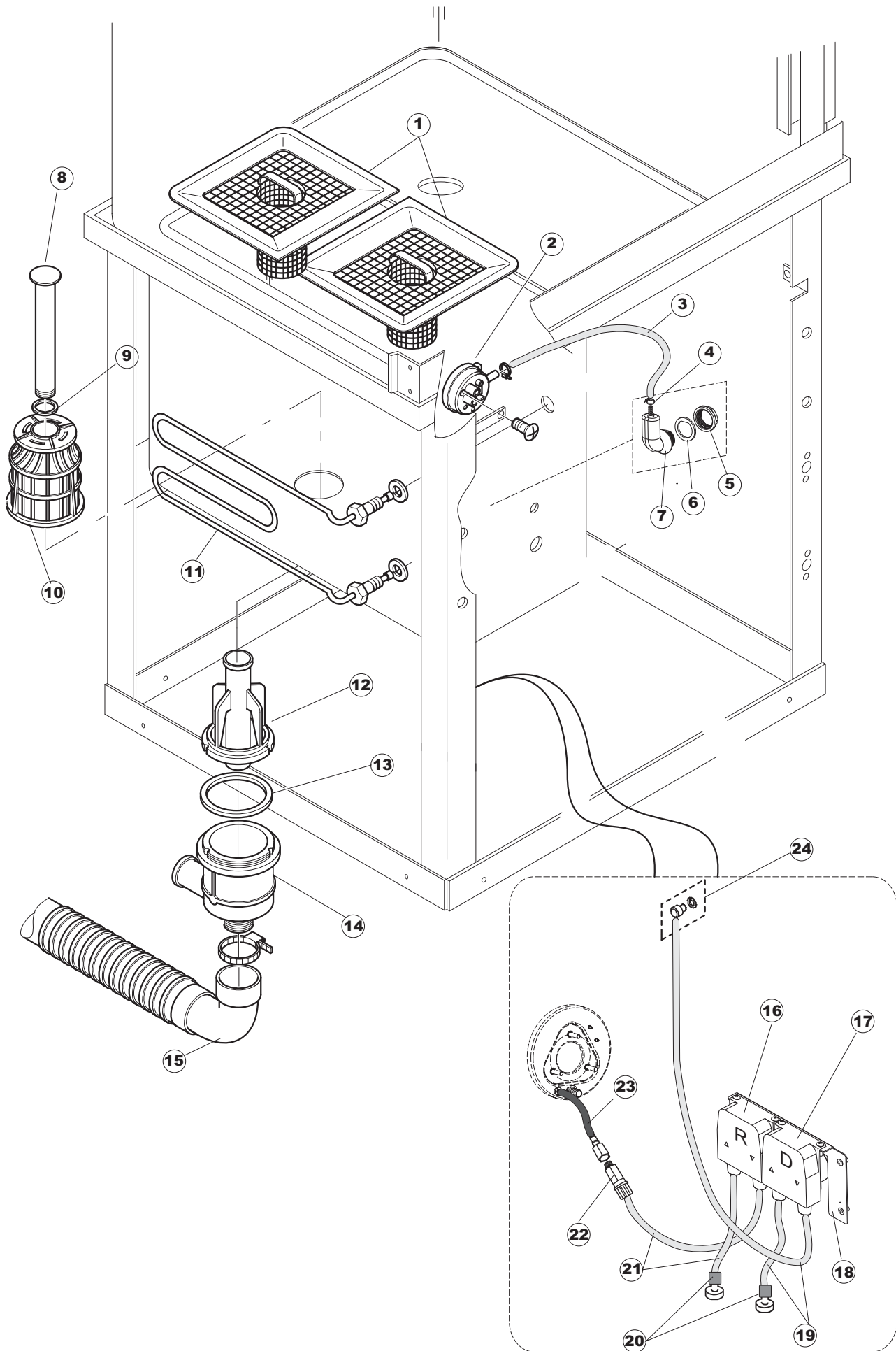
16	486078	VITE IN ACCIAIO INOSSIDABILE SPEC. 6MA VIS EN ACIER INOXYDABLE 6MAX30 T.1/2 TC SCHRAUBE AUS NICHTROSTENDEM STAHL 6MAX30 STAINLESS STEEL SCREW 6MAX30 T.1/2 TC TORNILLO TC-CE M6X40 INOX	
17	929199	PIEDINO TIPO 30191.1.2 (NERO) VERRIN TYPE 30191.1.2 (NOIR) FUSS TYP 30191.1.2 (SCHWARZ) FOOT TYPE 30191.1.2 (BLACK) PATA TOPE TIPO 30191. 1. 2(NEGRO)	
18	43527	PROTEZIONE PROTECTION SCHUTZVERKLEIDUNG GUARD SOPORTE DE PROTECCION	
19	41539	GUIDA CESTO GUIDE PANIER KORBBAHN RACK SLIDE GUIA CESTA	
20	4113501	SPESSORE PORTA EPAISSEUR LATERAL PORTE DX/SX DICKUNG - SEITLICH - DER TUER - DX/SX DOOR SIDE THICKNESS - DX/SX GROSOR LAT. PUERTA	
21	4114501	PIASTRA PORTA PLAQUE PETITE POUR PIVOT PORTE PLATCHEN FUER ZAPFEN TUER FUER KOCHTOEPF SMALL PLATE FOR DOOR PIN PLANCHITA PERNO PUERTA U61. .	
22	41622	PANNELLO POSTERIORE PANNEAU ARRIERE RUECKWAND BACK PANEL PANEL TRASERO	
23	927006	PIEDE VERRIN FUSS FOOT PATA REGULABLE	
35	929199	PIEDINO TIPO 30191.1.2 (NERO) VERRIN TYPE 30191.1.2 (NOIR) FUSS TYP 30191.1.2 (SCHWARZ) FOOT TYPE 30191.1.2 (BLACK) PATA TOPE TIPO 30191. 1. 2(NEGRO)	
36	41100	TAMPONE BATTUTA SPORTELLO LP TAMPON COUP PORTE POUR LAVE-CASSEROLES TUER-ANSCHLAG PUFFER FUER KOCHTOEPFESPUE DOOR BEATING POINT BUFFER TAMPON TOPE PUERTA LP	



Listino componenti per pagina 2

1	41416	COPERCHIO COUVERCLE DE FERMETURE VERSCHLUSSDECKEL COVER TAPA DE LA CAJA	
2	73350	CONTATTORE CONTACTEUR KONTAKTGEBER CONTACTOR CONTACTOR	
3	41415	PANNELLO COMPONENTI ELETTRICI PANNEAU COMPOSANTS ELECTRIQUES PANEEL FUER ELEKTRISCHE BAUELEMENTE WIRING PANEL PANEL COMPONENTES ELECTRICOS	
4	215032-1	SCHEDA CARTE ELECTRONIQUE KARTE ELEKTRONIK MAIN BOARD TARJETA electrónica	
5	CWP2	PIEDINI SUPPORTO SCHEDA ELETTRONICA VERRIN FUSS FOOT PATA	
6	228012	FUSIBILE 5X20 T160MA FUSIBLE Sicherung FUSE FISIBLE	
7	228011	FUSIBILE 5X20 T2A FUSIBLE Sicherung FUSE FISIBLE	
8	228004	FUSIBILE FUSIBLE Sicherung FUSE FISIBLE	
9	220011	MORSETTIERA bornier pour le raccordement anschlussterminal TERMINAL BLOCK bloque de terminales	
10	929115	RELE 16A-230V RELAIS 16A 230V RELAIS 16A 230V RELAY 16A 230V RELE 16A 230V	
11	DEP521	PASSACAVO PRESSE ÉTOUPE KABELVERSCHRAUBUNG CABLE GLAND PASACABLES	
12	80997	CAVO ALIMENTAZIONE 5X2,5MM (H07RN-F) CÂBLE D'ALIMENTATION STROMKABEL power cable CABLE ALIMENTACION 5X2,5MM (H07RN-F)	
13	80934	CAVO FLAT CABLE FLAT Flachbandkabel FLAT FLAT CABLE CABLE FLAT	
14	417119	DADO ECROU MUTTER NUT TUERCA	
15	419036	DISTANZIALI SCHEDA ENTRETOISE X CARTE ELECTRONIQUE ABSTANDSROHR INTERFACE BOARD DISTANCE KEEPERS DISTANCIADOR M3	

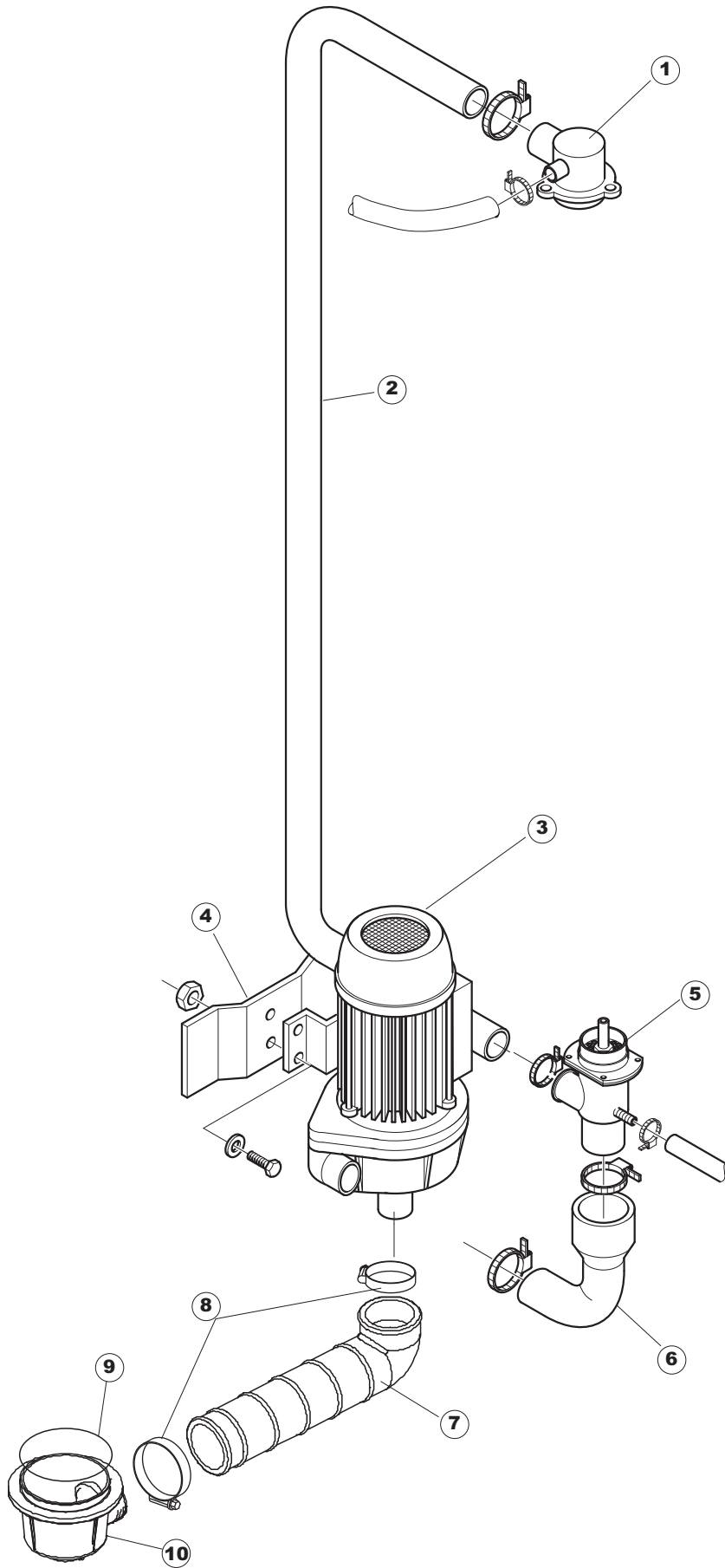
16	227083	TASTIERA COMANDI CARTE ELECTRONIQUE DE POUSSOIR TASTENFELD PUSH BUTTONS BOARD BOTONERA	
17	231016	SONDA TEMPERATURA SONDE KUGEL TEMPERATURE PROBE SONDA TEMPERATURA (AMPOLLA ACERO)	
18	41326	PANNELLO ANTERIORE PANNEAU AVANT VORDERPANEEL FRONT PANEL PANEL FRONTAL	
19	41745	INTERFACCIA ADESIVA DI CONTROLLO INTERFACE ADHÉSIVE CONTRÔLE TASTATURFOLIEN CONTROL ADHESIVE INTERFACE INTERFAZ ADHESIVA DE CONTROL	
20	69810	TENDINA COPERTURA TASTIERA PANN ANT. rideau Vorhang CURTAIN CORTINA COPERTURA TECLADO PAN. DELANT.	



Listino componenti per pagina 3

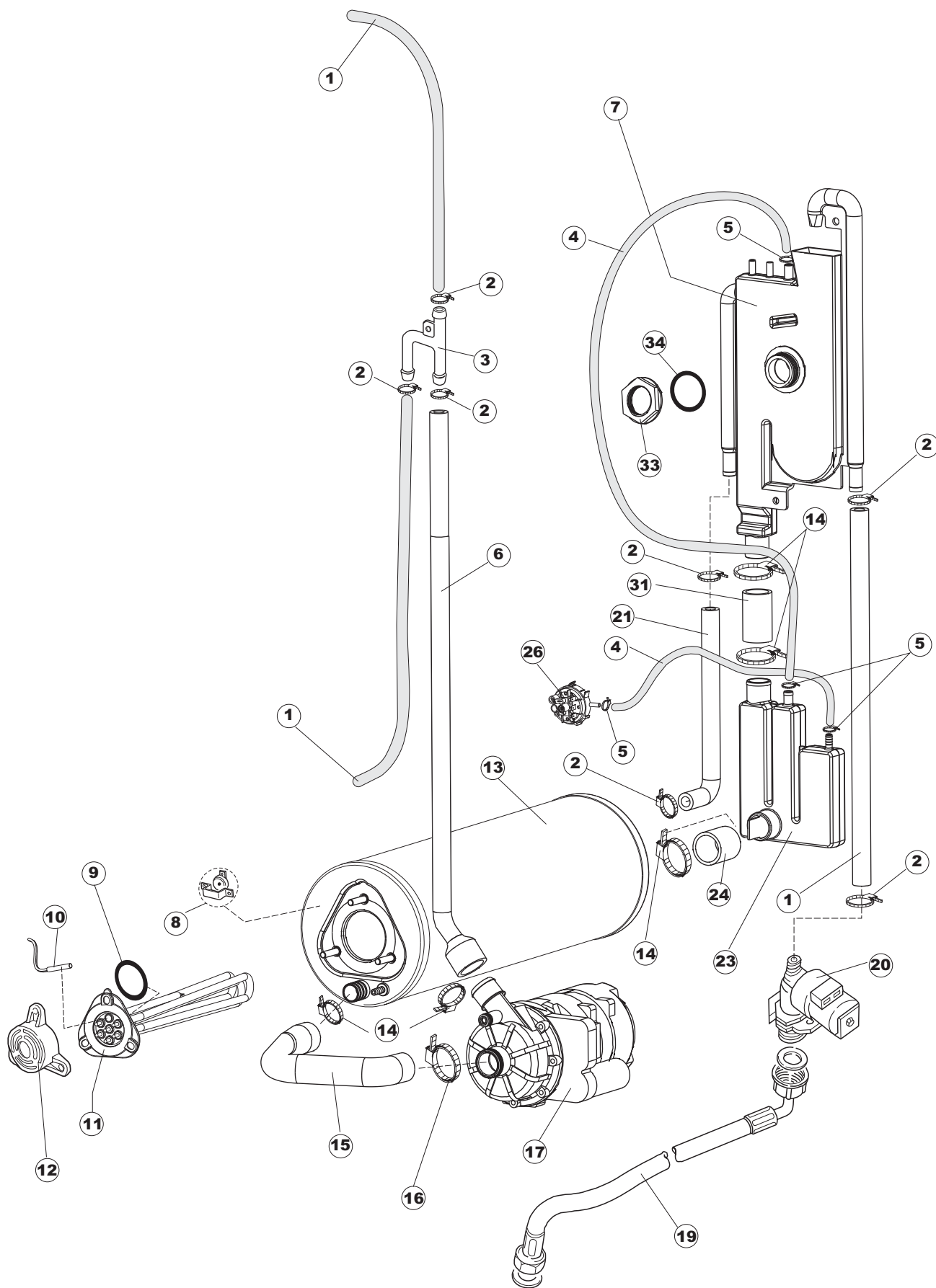
1	41257	FILTRO VASCA COMPLETO FILTRE FILTER STAINER FILTRO	
2	926049	PRESSOSTATO TIPO 180-70 PRESSOSTAT DRUCKWAECHTER PRESSURE SWITCH PRESOSTATO	
3	143253	TUBO SILICONE TRASPARENTE 3X8 TUYAU SCHALUCH PIPE MANGUITO	
4	CFF10073	FASCETTA FERMA CAVI Collier de serrage Kabelbinder CABLE TIE ABRAZADERA	
5	417120	DADO ECROU MUTTER NUT TUERCA	
6	437098	GUARNIZIONE JOINT DICHTUNG GASKET JUNTA	
7	70600	TRAPPOLA ARIA ESTERNA cloche de pression Glocke fur druckschalter AIR TRAP for pressure switch CAMPANA PRESOSTATO	
8	80250	TROPPOPIENO TROP PLEIN UEBERLAUFROHR OVERFLOW PIPE REBOSE	
9	CGR4131NT	guarnizione o-ring joint torique o-ring O-Ring-Dichtung O-ring junta tórica o-ring	
10	121081	FILTRO FILTRE FILTER STAINER FILTRO	
11	70562	RESISTENZA 3000W 230V MONOFASE RESISTANCE HEIZUNG HEATING ELEMENT RESISTENCIA	
12	80470	GHIERA SCARICO DOUILLE GEWINDERING RING NUT CONTERA VIROLA	
13	456040	guarnizione o-ring joint torique o-ring O-Ring-Dichtung O-ring junta tórica o-ring	
14	136020	CORPO ASPIRAZIONE E SCARICO CORPS D'ASPIRATION/VIDANGE ABSAUG-UND ABFLUSSKOERPER ASPIRATION AND DRAIN BODY CUERPO ASPIRACION/DESCARGA	
15	143136	TUBO SCARICO VERS.NE INTEGR.22 TUYAU DE VIDANGE ABFLUSSSCHLAUCH DRAIN HOSE TUBO DESCARGA	

16	209036	DOSATORE BRILLANTANTE distributeur de produit de rinçage Klarspüler DOSIERGERAET RINSE AID-DISPENSER DOSIFICADOR ABRILLANTADOR	Optional
17	209039	DOSATORE DETERGENTE distributeur de détergent Waschmittelschublade detergent dispenser dispensador de detergente	Optional
18	80675	STAFFA DOSATORI PERISTALTICI console de support Stützwinkel support bracket SOPORTE DOSIFICADORES PERIST. PG ACABADO	
19	143194	TUBO 4x6 CRISTAL TRASPARENTE TUYAU SCHALUCH PIPE MANGUITO	
20	121993	GRUPPO FILTRO+ZAVORRA DOSATORE filtre distributeur Filterspender filter aid dispenser filtro dispensador	
21	H.775601	TUBO 4x6 CRISTAL BLUE PVC TUYAU SCHALUCH PIPE MANGUITO	
22	468200	RACCORDO RACCORD ANSCHLUSSTEIL PIPE FITTING RECOGIDA	
23	143005	TUBO IN GOMMA TELATA 5X12 NERO TUYAU EN CAOUTCHOUC LIN 5X12 NOIR SCHLAUCH AUS LINENGUMMI 5X12 - SCHWARZ LINEN RUBBER PIPE 5X12 - BLACK TUBO PRES. TP 5x11 (CASER/15/NL C4N)	
24	468151	RACCORDO DETERSIVO VASCA RACCORD EN ACIER INOXYDABLE ENTREE' ANSCHLUSSSTUECK AUS NICHTROSTENDEM STAINLESS STEEL INLET DETERGENT ELBOW, EMPALME ENTRADA JABON CPL NM * SOLDADO	



Listino componenti per pagina 4

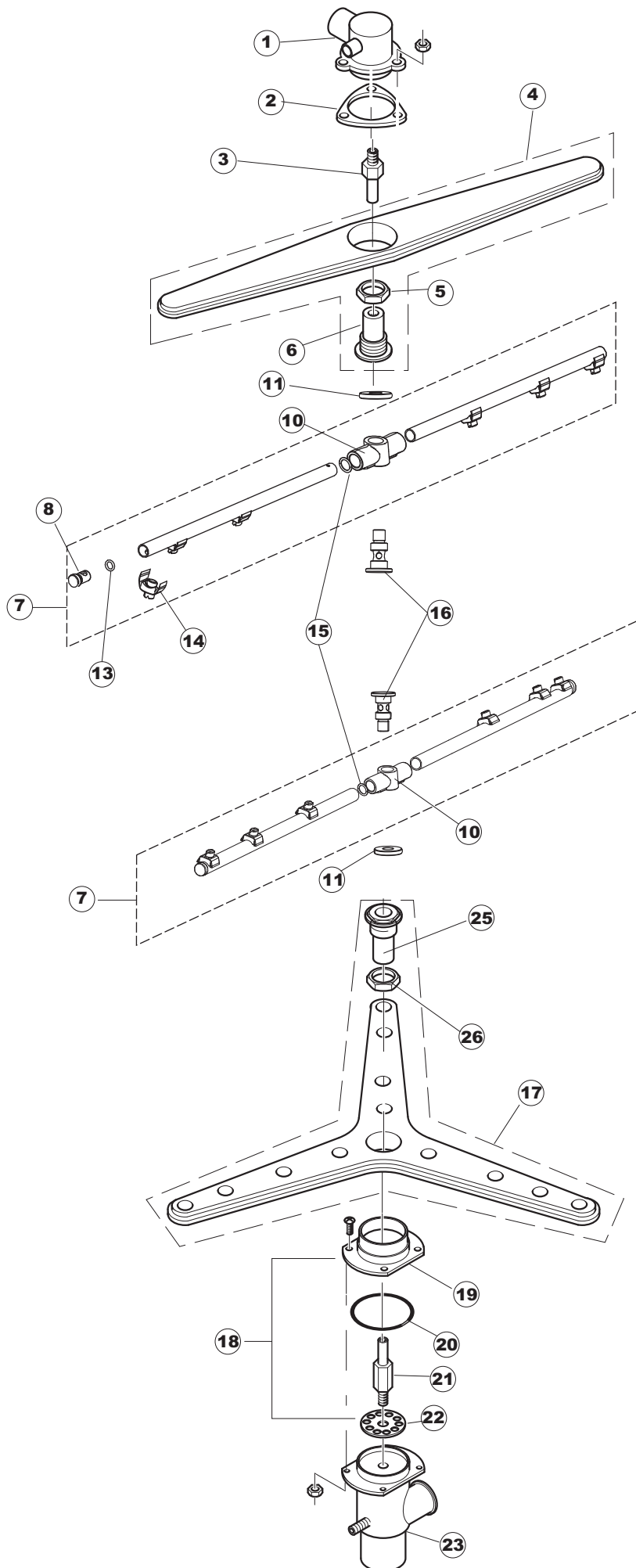
1	35604	COLLETORE CENTRALE INFERIORE COLLECTOR CENTRALE INFERIEURE ZENTRAL LEITUNG UNTEN lower MAIN MANIFOLD COLECTOR CENTRAL inferior	
2	44354	TUBO LAVAGGIO TUYAU SCHALUCH PIPE MANGUITO	
3	41990	POMPA LAVAGGIO POMPE DE LAVAGE WASCHPUMPE WASHPUMP bomba de lavado	
4	41626	STAFFA POMPA console de support Stützwinkel support bracket ménsula de soporte	
5	4206301	COLLETORE LAVAGGIO INFERIORE COLLECTOR INFERIEURE LEITUNG UNTEN lower MANIFOLD COLECTOR inferior	
6	41560	MANICOTTO MANDATA LAVAGGIO tuyau de refoulement à laver Druckschlauch Wasch DELIVERY WASH HOSE MANGUITO LAVADO	
7	80186	MANICOTTO ASPIRAZIONE tuyau d'aspiration SAUGROHR suction pipe tubo de aspiración	
8	CFS3	FASCETTA A VITE TORRO W2B 60-80/12 BANDE DE SERRAGE A VIS TORRO W2B 60-80/12 SCHELLE, SCHRAUBE TORRO W2B 60-80/12 CLAMP, HOSE-TYPE TORRO W2B 60-80/12 ABRAZADERA CON TORNILLO TORRO W2B	
9	456040	guarnizione o-ring joint torique o-ring O-Ring-Dichtung O-ring junta tórica o-ring	
10	136020	CORPO ASPIRAZIONE E SCARICO CORPS D'ASPIRATION/VIDANGE ABSAUG-UND ABFLUSSKOERPER ASPIRATION AND DRAIN BODY CUERPO ASPIRACION/DESCARGA	



Listino componenti per pagina 5

1	143010	TUBO IN GOMMA 12X19,5 (FOOD QUALITY) TUYAU EN CAOUTCHOUC 12X19,5 GUMMISCHALUCH 12X19,5 RUBBER PIPE 12X19,5 TUBO PRES. TP 12X19. 5	
2	927322	FASCETTA SERRAGGIO TUBI Collier de serrage Schlauchschele HOSE CLAMP ABRAZADERA	
3	143268	IPSILON DI RISCIAQUO jonction "Y" Kreuzung "Y" junction "Y" UNION "Y"	
4	H.165168	TUBO TRASPARENTE TUYAU SCHALUCH PIPE MANGUITO	
5	423026	FASCETTA FERMA CAVI Collier de serrage Kabelbinder CABLE TIE ABRAZADERA	
6	41525	TUBO MANDATA RISCIAQUO TUYAU DE REFOULEMENT RINÇAGE (CRP) NACHSPUEL-FOERDERLEITUNG (CRP) RINSE DELIVERY TUBE(CRP) TUBO IMPULSION ENJUAGUE (CRP)	
7	144021	BREAKTANK BREAK TANK BREAK TANK BREAK TANK BREAK TANK	
8	926189	TERMOSTATO 95°C THERMOSTAT DE SURETE' A CONTACT KONTAKT-SICHERUNGSTHERMOSTAT (236039) CONTACT SAFETY-THERMOSTAT (REPLACES TERMOSTATO CALENTADOR SEG. 95ø	
9	456002	guarnizione o-ring joint torique o-ring O-Ring-Dichtung O-ring junta tórica o-ring	
10	231016	SONDA TEMPERATURA SONDE KUGEL TEMPERATURE PROBE SONDA TEMPERATURA (AMPOLLA ACERO)	
11	230083C	RESISTENZA RESISTANCE HEIZUNG HEATING ELEMENT RESISTENCIA	
12	69870	PROTEZIONE RESISTENZA BOILER PROTECTION RESISTANCE BOILER HEIZUNGSSCHUETZ DES WARMWASSERBEREITERS BOILER HEATING ELEMENT PROTECTION PROTECCION RESISTENCIA CALENTADOR	
13	104061	BOILER CHAUDIÈRE WARMWASSERBEREITER BOILER CALENTADOR	
14	CFS18	FASCETTA SERRAGGIO TUBI Collier de serrage Schlauchschele HOSE CLAMP ABRAZADERA	
15	69068	TUBO MANDATA LAVAGGIO SUPERIORE CAPOT TUYAU SCHALUCH PIPE MANGUITO ASPIRAC.CRP LA50	

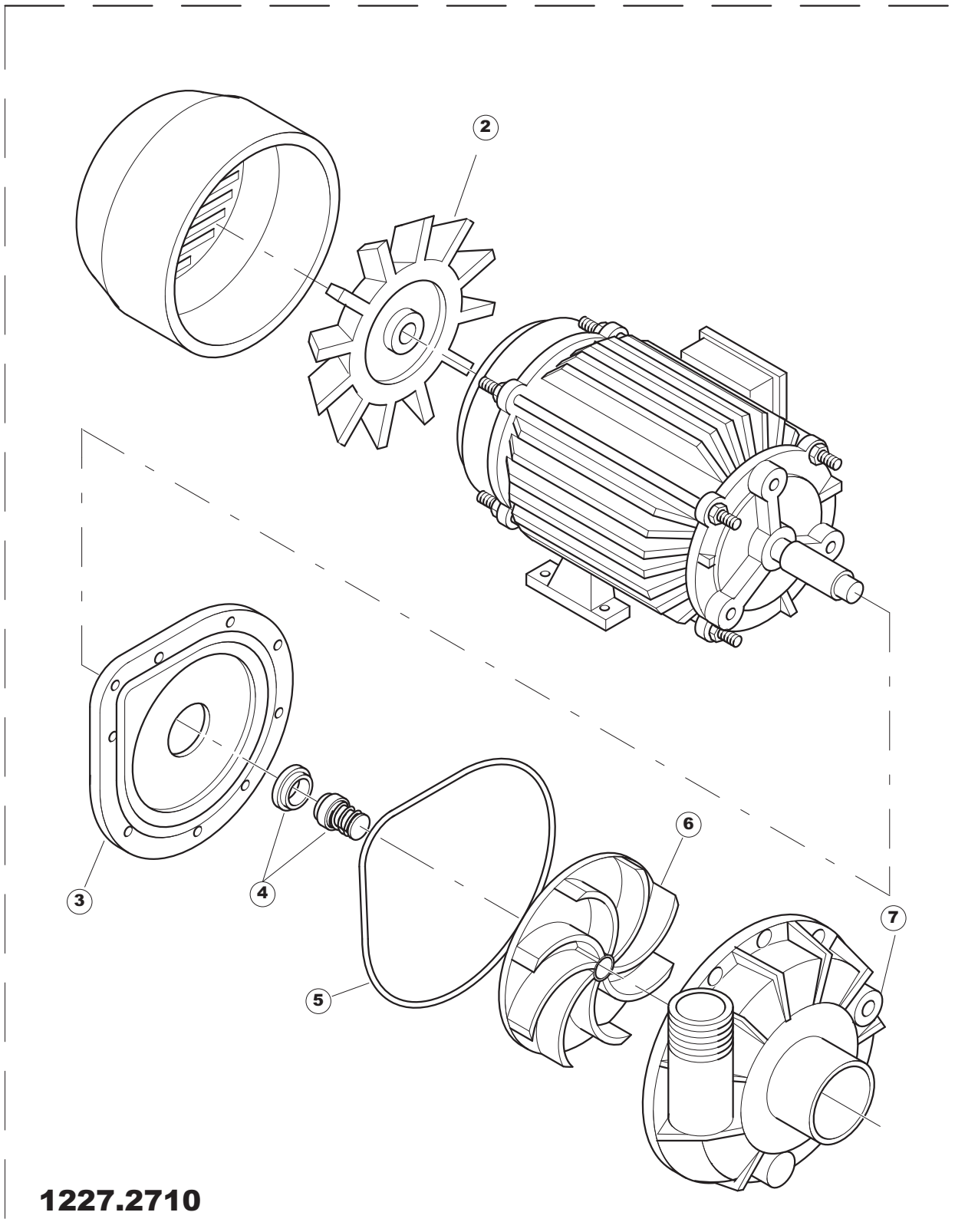
16	423008	FASCETTA SERRAGGIO TUBI doppio filo con vite 25-29 Collier de serrage Schlauchschelle HOSE CLAMP ABRAZADERA	
17	80627	POMPA RISCIAQUO 50 Hz pompe rinçage 50 Hz spulen pumpe 50 Hz rinse pump 50 Hz bomba de aclarado 50 Hz	
19	929169	TUBO DI CARICO TERMOPLASTICO TUYAU DE CHARGEMENT THERMOPLASTIQUE THERMOPLASTISCHER ZULAUFSCHLAUCH VDE THERMOPLASTIC INLET HOSE TUBO DE CARGA DEL TERMOPLASTICO	
20	240018	ELETTROVALVOLA ELECTROVANNE Magnetspule SOLENOID VALVE ELECTROVALVULA	
21	143004	TUBO TUYAU SCHALUCH PIPE TUBO PRES. TP 10X17 (CASER/15NL C4N)	
23	144032	SISTEMA CARICAMENTO BOILER CRP CON CAMPANA PRESSO SYSTÈME CHARGEMENT DE CHAUDIÈRE CRP LADESYSTEM KESSEL CRP LOADING SYSTEM BOILER CRP WITH BELL PRESSURE SWITCH SISTEMA CARGA DE CALDERA CRP	
24	127095	MANICOTTO BOILER MANCHON CHAUDIÈRE schlauch-WARMWASSERBEREITER BOILER PIPE TUBO CALENTADOR	
26	224002	PRESSOSTATO 110-60 PRESSOSTAT 110/60 DRUCKWAECHTER 110/60 PRESSURE SWITCH TYPE 110-60 PRESOSTATO - 110/60	
31	929171	TUBO IN GOMMA 20X29 TUYAU EN CAOUTCHOUC 20X29 GUMMISCHALUCH 20X29 RUBBER PIPE 20X29 TUBO GOMA 20X30	
33	417125	DADO ECROU MUTTER NUT TUERCA	
34	437104	GUARNIZIONE D45D33S2 EPDM 70SH JOINT DICHTUNG GASKET JUNTA	



Listino componenti per pagina 6

1	35604	COLLETORE CENTRALE INFERIORE COLLECTOR CENTRALE INFERIEURE ZENTRAL LEITUNG UNTEN lower MAIN MANIFOLD COLECTOR CENTRAL inferior	
2	437064	GUARNIZIONE JOINT DICHTUNG GASKET JUNTA	
3	80282	PERNO LANCIA IN ACCIAIO INOSSIDABILE PIVOT ZAPFEN PIVOT PERNO	
4	80311	BRACCIO COMPLETO LAVAGGIO BRAS DE LAVAGE COMPLET WASCH ARM KOMPLETTEN COMPLETE WASH ARM BRAZO LAVADO COMPLETO	
5	80314	GHIERA LANCIA LAVAGGIO DOUILLE GEWINDERING RING NUT CONTERA VIROLA	
6	80310	SUPPORTO BRACCIO SUPPORT RAMPE DE LAVAGE GRIS (RAL7001) WASCHARMHALTER - GRAU (RAL 7001) GREY WASH ARM JOURNAL BOX (RAL 7001) SOPORTE LANC/LAVADO (RAL7001)	
7	41677	BRACCIO COMPLETO RISCIAQUO BRAS DE RINCAGE COMPLET KOMPLETTEN NACHSPUELUNGSARM COMPLETE RINSE ARM BRAZO ENJUAGUE COMPLETO	
8	926132	TAPPO PL.X BRACCIO DI RISC.(DWT312) EMBOUT EN PLASTIQUE POUR RAMPE DE RINC. ZAPFEN PLASTIC RINSE ARM CAP TAPON PL. X BRAZO DE ENJUAGUE (DWT312)	
10	69632	CORPO BRACCIO CORPS BRAS Armkörper Waschen oder Spülen BODY ARM CUERPO BRAZO	
11	80679	GHIERA M12 INOX DOUILLE GEWINDERING RING NUT CONTERA VIROLA	
13	CGR106	O-RING 106 GOMMA NITR. (6,75 X 1,78 NBR) O-RING 106 CAOUTCHOUC NITRYLE (6,75 X 1,78 NBR) O-RING 106 NITRILGUMMI (6,75 X 1,78 NBR) O-ring 106 NITRILE RUBBER (6,75 X 1,78 NBR) VER CÓDIGO 456030	
14	140036	SPRUZZO RISCIAQUO GLICEUR DUESE RINSE JET ROCIADOR ENJUAGUE	
15	456019	guarnizione o-ring joint torique o-ring O-Ring-Dichtung O-ring junta tórica o-ring	
16	80644	PERNO PIVOT ZAPFEN PIVOT PERNO	
17	929195	BRACCIO COMPLETO LAVAGGIO BRAS DE LAVAGE COMPLET WASCH ARM KOMPLETTEN COMPLETE WASH ARM BRAZO LAVADO COMPLETO	

18	41064CP	CONTROFLANGIA SUPPORTO LANCIA DI LAVAGGIO PER LAV/ / CONTRE-BRIDE SUPPORT RAMPE DE LAVAGE POUR LAVE-C/ / GEGENFLANSCH DES HALTERS FUER WASCHARM D ES KOCH- / SUPPORT COUNTER-FLANG OF WASH ARM OF POT AND PAN / CONTRABRIDA SUP. LANZA LAV. U61/61H	
19	41064	CONTROFLANGIA SUPPORTO LANCIA DI LAVAGGIO PER LAV/ / CONTRE-BRIDE SUPPORT RAMPE DE LAVAGE POUR LAVE-VC / GEGENFLANSCH DES HALTERS FUER WASCHARM D ES KOCH- / SUPPORT COUNTER-FLANGE OF WASH ARM OF POT AND PAN / CONTRABRIDA SUP. LANZA LAV. LP	
20	926252	guarnizione o-ring joint torique o-ring O-Ring-Dichtung O-ring junta tórica o-ring	
21	42053	PERNO LANCIA LAV.INFER.U61 PIVOT ZAPFEN PIVOT PERNO	
22	41185	PARZIALIZZATORE PERNO RISCIAQUO REDUCTEUR POUR LAVE-CASSEROLES VERMINDERER FUER KOCHTOEPFESPUELER REDUCER FOR POT AND PAN WASHER PARCIALIZADOR PL.	
23	4206301	COLLETTORE LAVAGGIO INFERIORE COLLECTOR INFERIEURE LEITUNG UNTEN lower MANIFOLD COLECTOR inferior	
25	926129	SUPPORTO BRACCIO SUPPORT/MOYEU RAMPE DE LAVAGE- LAGER/NABE FUER WASCHARM-GESCHIRRSPUELER SUPPORT/HUB FOR WASH-ARM - DISHWASHERS SOPORTE/CUBO LANZA LAVADO	
26	80314	GHIERA LANCIA LAVAGGIO DOUILLE GEWINDERING RING NUT CONTERA VIROLA	

**1227.2710**

Listino componenti per pagina 7

1	41990	POMPA LAVAGGIO POMPE DE LAVAGE WASCHPUMPE WASHPUMP bomba de lavado	
2	335003	VENTOLA 1295/2277 VENTILATEUR POUR MOTOPOMPE LAUFRAD FUER MOTORPUMPE WASHPUMP FUN ROTOR PARA ELECTROBOMBA	
3	315002	FLANGIA + CAPPELLO BRIDE FLANSCH FLANGE BRIDA	
4	141002	TENUTA MECCANICA PER POMPA DI LAVAGGIO ETANCHEITE' DE LA POMPE DE LAVAGE POUR MECHANISCHE DICHTUNG FUER WASCHPUMPE DER WASH PUMP SHAFT SEAL FOR GLASSWASHER SELLO MECANICO GIRAT. D 12	
5	456023	guarnizione o-ring joint torique o-ring O-Ring-Dichtung O-ring junta tórica o-ring	
6	41991	GIRANTE ELETTROPOMPA IMPULSEUR MOTOPOMPE FLUEGELRAD FUER MOTORPUMPE ELECTROPUMP IMPELLER ROTOR PARA ELECTROBOMBA	
7	116002	CHIOCCIOLA ELETTROPOMPA couvercle de la turbine PUMPENGEHAEUSE ELECTROPUMP HOUSING ESPIRAL PARA ELECTROBOMBA	