

REV.00
(07/2020)

TYPE 3730-3930

TAV.0

CATALOGO PARTI DI RICAMBIO
SPARE PARTS CATALOGUE
CATALOGUE PIECES DETACHEES
ERSATZTEILKATALOG
CATALOGO DE PIEZAS DE RICAMBIO
CATALOGO PEÇAS DE REPOSIÇÃO

TYPE 3730-3930
Glasswasher basket 40x40
Partial double skinned
Electronic controls

INFORMAZIONI GENERALI

- A. Il catalogo serve per richiedere con esattezza le parti di ricambi, in base al **MODEL** indicato nella matricola della macchina. Negli ordini indicare la posizione, il codice, la descrizione e la quantità delle parti di ricambio;
- B. I disegni delle parti di ricambio sono indicativi e NON rappresentano il pezzo reale;
- C. I dati contenuti in questo catalogo sono indicativi e possono essere soggetti a modifiche senza preavviso.

GENERAL INFORMATION

- A. This catalog order exactly the right spare parts, according to the **MODEL** indicated on the identification plate of the machine. When ordering, specify the position, the code, the description and the quantity of spare parts;
- B. The spare parts drawings are general and DO NOT represent the real part;
- C. The contents of this catalog are general, and can undergo changes without prior notice.

INFORMATIONS GÉNÉRALES

- A. Ce catalogue est utilisé pour commander exactement les pièces détachées, selon le **MODEL** indiqué sur la plaque d'identification de la machine. Les commandes doivent indiquer la position, le code, la description et la quantité des pièces détachées;
- B. Les dessins des pièces détachées sont indicatif, et NE représentent pas le pièces concernée;
- C. Les données de ce catalogue sont citées seulement à titre indicatif et peuvent être l'objet de modifications sans avis préalable.

LETTURA DELLA MATRICOLA MACCHINA

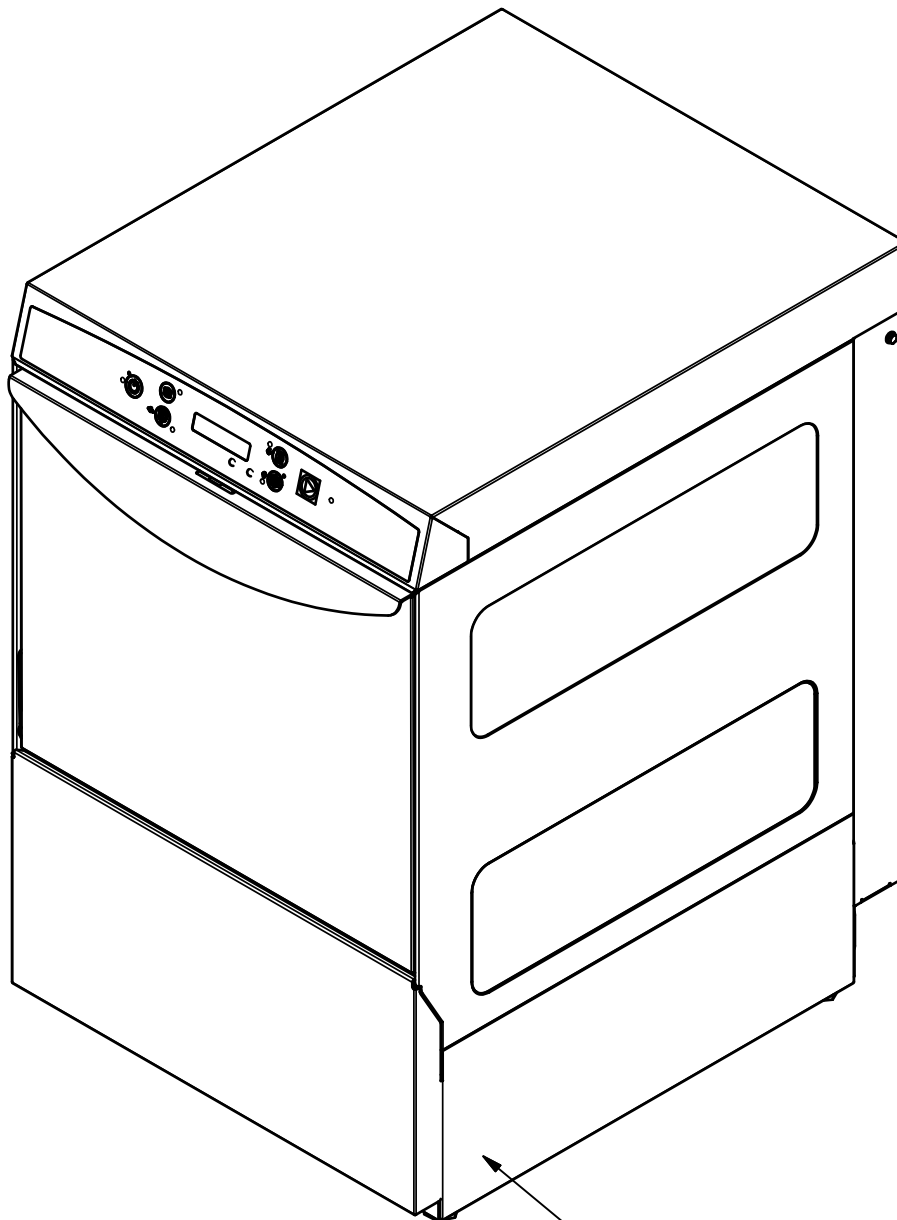
CONSTRUCTION OF MACHINE ID NUMBER

LECTURE DONNÉE DE LA MACHINE

DATI IDENTIFICATIVI
IDENTIFICATION DATA
DONNÉES D'IDENTIFICATION

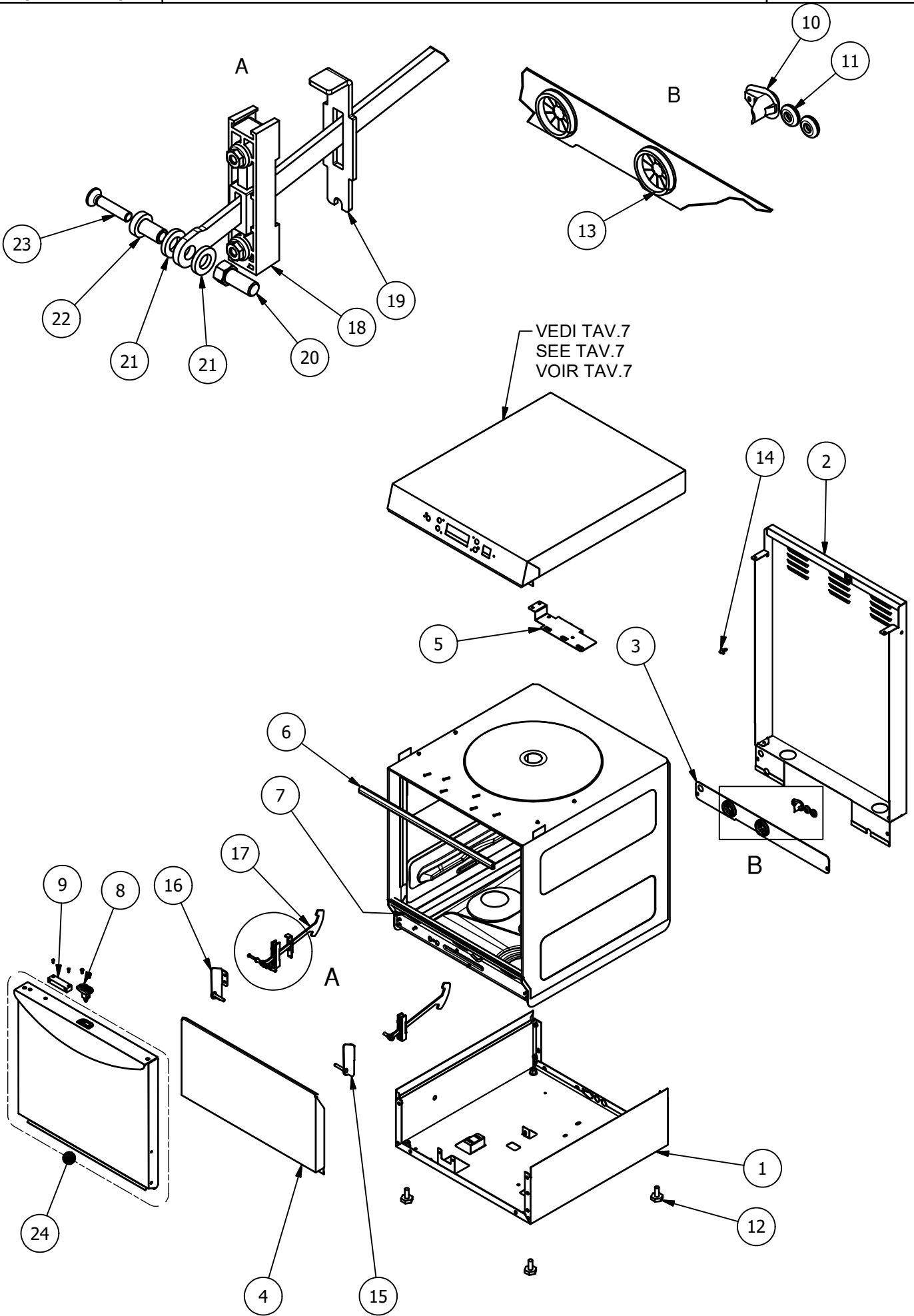
LOGO FABBRICANTE MANUFACTURER LOGO	INDIRIZZO FABBRICANTE MANUFACTURER ADDRESS
MODEL TYPE CODE 1234-123456 SERIAL No. YYYYYYYY ARTICLE	220-240V~50Hz 14A Power 3185 W IP25
WATER SUPPLY 200+500 kPa/MAX 50°C Electronic code: XXXX PW: XXXX	

DATI TECNICI
TECHNICAL SPECIFICATIONS
DONNÉES TECHNIQUES



MATRICOLA
IDENTIFICATION PLATE
PLAQUE D'IDENTIFICATION

TAV 1	CARROZZERIA	BODY	CARROSSERIE
TAV 2	COMPONENTI ELETTRICI	ELECTRICAL COMPONENTS	COMPOSANTS ÉLECTRIQUES
TAV 3	COMPONENTI IDRAULICI	HYDRAULIC COMPONENTS	COMPOSANT HYDRAULIQUES
TAV 4	BRACCI LAVAGGIO / RISCIAQUO	WASH/RINSE ARMS	BRAS DE LAVAGE ET RINÇAGE
TAV 5	POMPA DI SCARICO	DRAIN PUMP	POMPE DE VIDANGE
TAV 6	ADDOLCITORE	WATER SOFTNER	ADOUCESSEUR
TAV 7	PANNELLO DI CONTROLLO	FRONT PANEL	PANNEAU DE CONTROLE
TAV 8	POMPA DI LAVAGGIO	WASHING PUMP	POMPE DE LAVAGE
TAV 9	DOSATORE DETERGIVO E BRILLANTANTE	DETERGENT AND RINSE AID DISPENSER	DOSEURS PRODUIT DE LAVAGE ET RINÇAGE

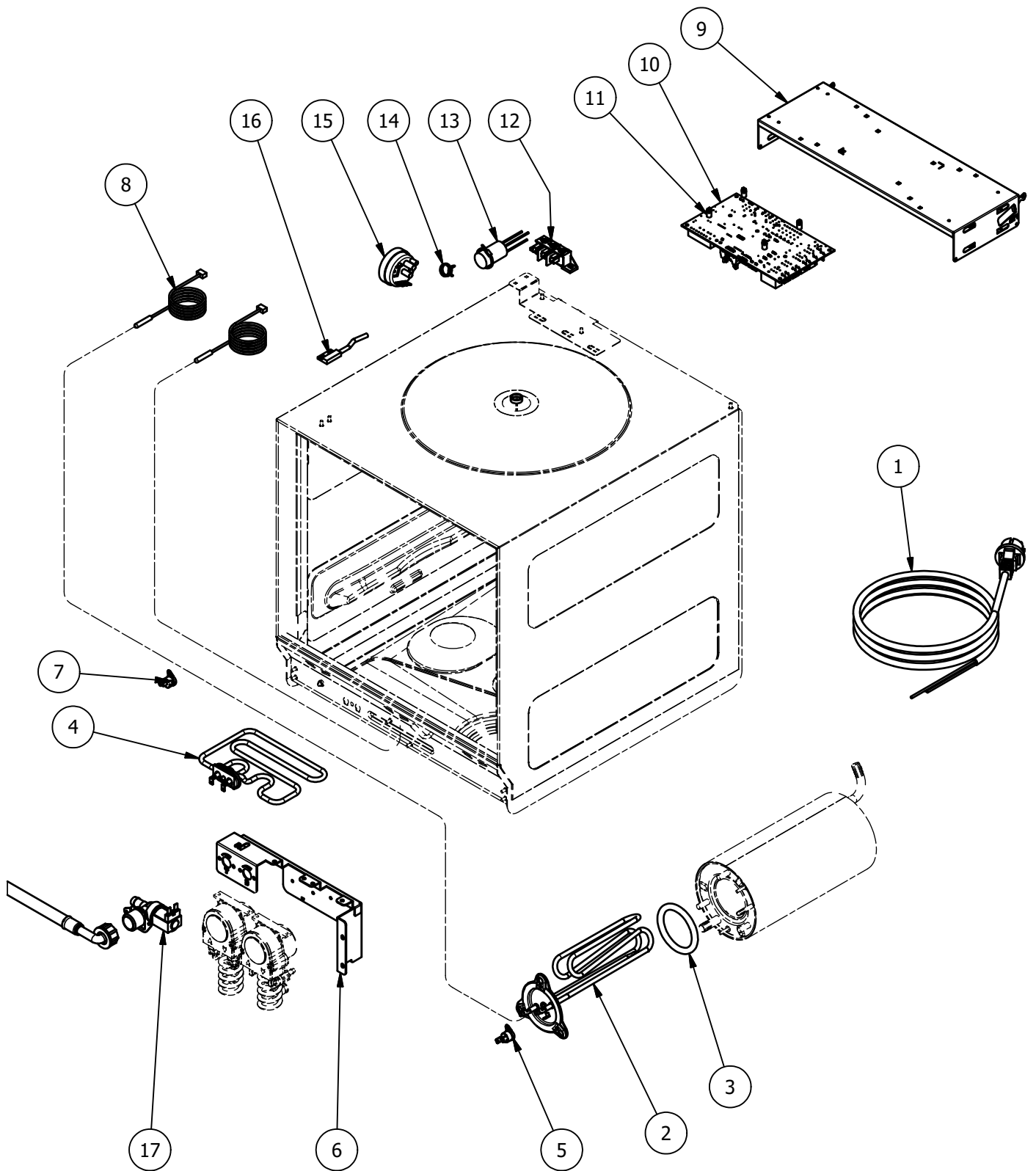


REV.00
(07/2020)TYPE 3730-3930
CARROZZERIA - BODY - CARROSSERIE

TAV.1_2

ELEM.	CODICE	DA/FROM MATR.	DESCRIZIONE	DESCRIPTION [EN]	DESCRIPTION [FR]	U.M.
1	0640200003		ASS. BASAMENTO	BASE ASSY	ENS. CARTER INFÉRIEUR	No.
2	1640200001		SCHIENALE INTERO	REAR PANEL	PANNEAU ARRIÈRE	No.
3	3012-0003		SCHIENALE INFERIORE	LOWER REAR PANEL	PANNEAU ARRIÈRE INFÉRIEUR	No.
4	1740700001		PANN. SOTTOPORTA INFERIORE	LOWER TRIM PANEL	PANNEAU DE PORTE INFÉRIEUR	No.
5	0235400001		STAFFA SUPPORTO PRESS. E MORSETTIERA	PRESSOST. AND TERMINAL BOARD SUPPORT	SUPPORT POUR COMMUTATEUR DE PRESSION ET TERMINAL	No.
6	00017706		GUARNIZIONE PORTA L=450mm	DOOR GASKET L=450mm	JOINT DE PORTE L=450mm	No.
7	00004084		GUARN. GOMMA EPDM ESPANS. 20x2mm L=448 (*)	EPDM GASKET 20x2mm L=448 (*)	JOINT DU EPDM 20x2mm L=448 (*)	No.
8	0161100002		ASS. SCROCCO PORTA (*)	DOOR JACK ASSY (*)	ENSEMBLE PORTE DE SERRURE (*)	No.
9	00005679		UNITA' MAGNETICA RETT. (*)	MAGNETIC UNIT (*)	AIMANT UNIT (*)	No.
10	00000612		FERMACAVO	CABLE CLAMP	COLLIER DE SERRAGE CABLE	No.
11	2005-0005		PASSACAVO PVC	CABLE GUIDE	GUIDE DU CABLE	No.
12	00006662		PIEDINO REGOLABILE (*)	ADJUSTABLE FOOT (*)	PIED REGLABLE (*)	No.
13	00017100		PASSACAVO RIGIDO	RIGID CABLE GUIDE	GUIDE DU CABLE	No.
14	00015239		CHIUSURA MASCHIO PER FISSAGGIO	MALE PLASTIC LATCH	FERMETURE POUR FIXATION	No.
15	0166300002		ASS. STAFFA DX CERNIERA	RH MOUNTAIN BRACKET ASSY	ENS. LEVIER DE CHARNIÈRE DROITE	No.
16	0166400002		ASS. STAFFA SX CERNIERA	LH MOUNTAIN BRACKET ASSY	ENS. LEVIER DE CHARNIÈRE GAUCHE	No.
17	1200100002		ASTA CERNIERA PORTA	DOOR TENSIONER	TIGE DE LA CHARNIERE	No.
18	1120600002		GUIDA TIRANTE PORTA	TENSIONER GUIDE	GUIDE SUPP. CHARNIÈRE PORTE	No.
19	0780100002		BATTUTA TIRANTE PORTA	BLOCK FOR DOOR TENSIONER	FERME DU TIGE	No.
20	0430800001		PERNO TIRANTE	TENSIONING PIN	ÉPINGLE	No.
21	0111200001		RONDELLA	DOOR ROD WASHER	RONDELLE	No.
22	1870100002		PERNO CON TESTINA	LINCHPIN	ÉPINGLE	No.
23	1002-0002		VITE TCPS M4x20 INOX	S.S. M4x20 TCPS SCREW	VIS TCPS M4x20 INOX	No.
24	8307-0010		ASS. PORTA COMPLETA	COMPLETA DOOR ASSY	ENSEMBLE DE PORTE COMPLET	No.

(*) RICAMBI CONSIGLIATI / RECOMMENDED SPARE PARTS / PIECES DETACHEES RECOMMANDEES

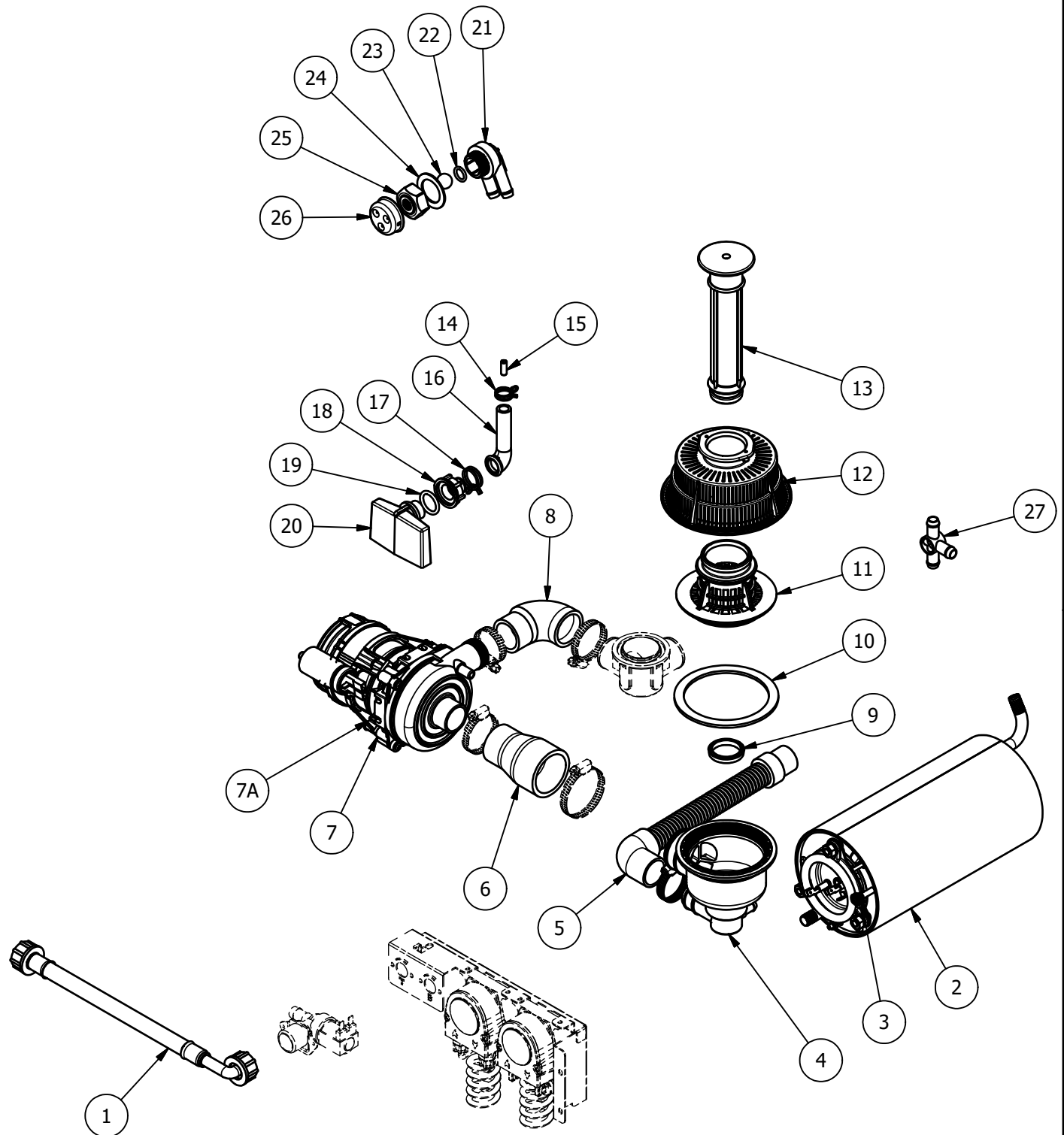


REV.00
(07/2020)TYPE 3730-3930
COMPONENTI ELETTRICI - ELECTRICAL COMPONENTS - COMPOSANT ELECTRIQUES

TAV.2_2

ELEM.	CODICE	DA/FROM MATR.	DESCRIZIONE	DESCRIPTION [EN]	DESCRIPTION [FR]	U.M.
1	00014685		CAVO ALIMENTAZIONE 3G1.5 H07RN-F 3m SCHUKO	POWER CABLE 3G 1.5 WITH SCHUKO SOCKET	CABLE D'ALIMENTATION 3G 1.5 AVEC SCHUKO	No.
2	4025-0001	84710200	RESISTENZA 220-240V 2.7kW (*)	RESISTANCE 2,7kW 220-240V (*)	RÉSISTANCE 2,7kW 220-240V (*)	No.
3	00000057		OR PER FLANGIA BOILER	OR FOR BOILER FLANGE	OR POUR BRIDE DU CHAUDIÈRE (*)	No.
4	0130400001		RESISTENZA 220-240V 2.4kW (*)	RESISTANCE 2,4kW 220-240V (*)	RÉSISTANCE 2,4kW 220-240V (*)	No.
5	00004913		TERMOSTATO BIMETALL. A R.M. (*)	MANUAL RESET SAFETY THERMOSTAT (*)	THERMOSTAT DE SECURITÉ À RÉARM. MANUEL (*)	No.
6	0231400003		SUPPORTO DOSATORI TERMOSTATI	DETERGENT DISPENSER SUPPORT	DOSEUR SOUTIEN	No.
7	4020-0001		TERMOSTATO BIMETALLICO 95° FAST-ON	SAFETY THERMOSTAT 95° FAST-ON	THERMOSTAT DE SECURITÉ 95° FAST-ON	No.
8	4011-0002		SONDA NTC AMP MODU II PER BOILER/VASCA (*)	NTC PROBE AMP MODU II FOR BOILR/TANK (*)	SONDE NTC AMP MODU II POUR CHAUDIÈRE/RÉSERVOIR (*)	No.
9	0740100001		SUPPORTO ELETTRICO	ELECTRICAL SUPPORT	SUPPORT ELETRIQUE	No.
10	4030-0002		SCHEDE ELETTRONICA 12 RELE' (*)	12 RELAYS ELECTRONICCARDBOARD (*)	CARTE ÉLECTRONIQUE 12 RELAIS (*)	No.
11	1020-0001		DISTANZIALE SCHEDE ELETTRONICA	SPACER FOR ELECTRONIC CARDBOARD	ESPACEUR DE CARTE ÉLECTRONIQUE	No.
12	4055-0002		MORSETTIERA FV 110 40A 450V MONOFASE	TERMINAL BOARD FV 110 40A450V SINGLE PHASE	BLOC TERMINAL PV 110 40A 450V MONOPHASE	No.
13	00002779		FILTRO ANTIDISTURBO 0,47 uF	FILTER 0,47 uF	FILTRE ANTIPARASITE 0.47 uF	No.
14	00000388		FASCETTA BIFIL. Ø14.4X15.1	CLAMP Ø14.4X15.1	COLLIER Ø14.4X15.1	No.
15	00016403		PRESSOSTATO LIVELLO 28/12 (*)	PRESSURE SWITCH 28/12 (*)	PRESSOSTAT DE NIVEAU D'EAU 28/12 (*)	No.
16	00012685		MICROINTERRUTTORE MAGNETICO (*)	MICRO SWITCH (*)	CAPTEUR MAGNETIQUE OUV. DE PORTE (*)	No.
17	00000394		ELETTROVALV. SING. 90° 230V (*)	SINGLE SOLEN. VALVE 90° 230V (*)	ELECTROV. UNIQUE 90° 230V (*)	No.

(*) RICAMBI CONSIGLIATI / RECOMMENDED SPARE PARTS / PIECES DETACHEES RECOMMANDEES

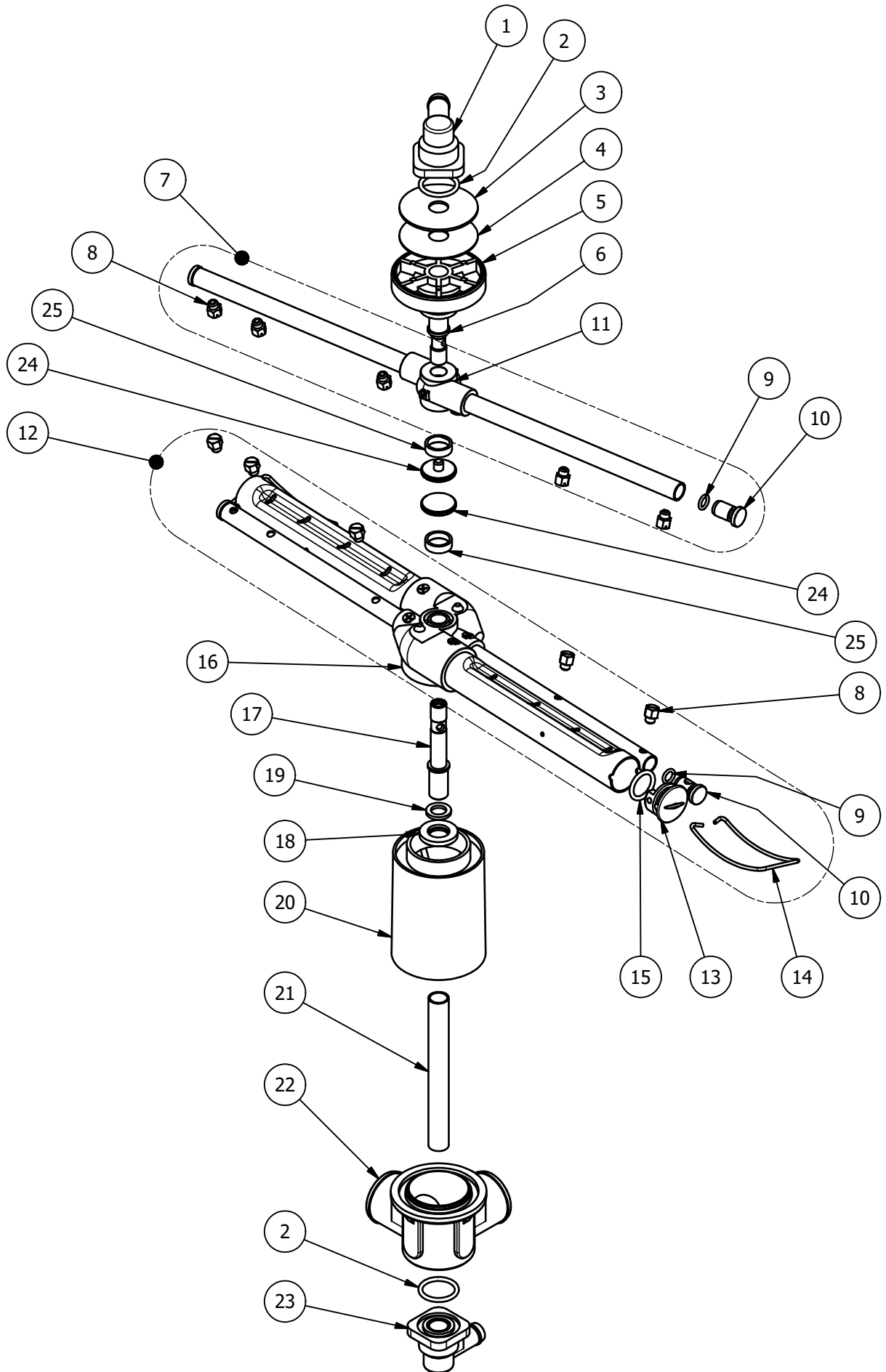


REV.00
(07/2020)TYPE 3730-3930
COMPONENTI IDRAULICI - HYDRAULIC COMPONENTS - COMPOSANT HYDRAULIQUES

TAV.3_2

ELEM.	CODICE	DA/FROM MATR.	DESCRIZIONE	DESCRIPTION [EN]	DESCRIPTION [FR]	U.M.
1	0000139		TUBO CARICO L=2000mm	WATER INLET HOSE L=2000mm	TUYAU D'ENTRÉE L=2000mm	No.
2	0160500005		ASS. BOILER 3Lt	ASS. BOILER 3Lt	ASS. CHAUDIÈRE 3Lt	No.
3	1030-0001		FASCETTA BIFIL. Ø 11,0-10,4	WIRE CLAMP Ø 11,0-10,4	PINCE À DEUX FILS Ø 11,0-10,4	No.
4	2050100003		POZZETTO SCARICO ASPIRAZIONE	EXHAUST COCKPIT	PUITS DU FILTRE	No.
5	0271500002		TUBO SCARICO90° L=2500 mm	DRAIN HOSE L=2500mm	TUYAU DE REFOULEMENT L=2500	No.
6	0220100002		MANICOTTO ASPIRAZIONE	SUCTION PUMP SLEEVE	MANCHON D'ASPIRATION	No.
7	0040100002		POMPA LAVAGGIO 230V-50Hz	WASHING PUMP 230V 50Hz	POMPE DE LAVAGE 230V 50Hz	No.
7A	6001-0006		POMPA LAVAGGIO 230V-60Hz	WASHING PUMP 230V 60Hz	POMPE DE LAVAGE 230V 60Hz	No.
8	0220200003		MANICOTTO MANDATA POMPA	PUMP DELIVERY SLEEVE	MANCHON DE LIVRAISON	No.
9	00017178		GUARNIZIONE TROPPOPIENO	OVERFLOW GASKET	JOINT DU TROP PLEIN	No.
10	0080600004		GUARNIZIONE POZZETTO	EXHAUST COCKPIT GASKET	JOINT DU Puits DU FILTRE	No.
11	0235200003		GHIERA GRUPPO FILTRANTE	THREADED RING FOR FILTERING GROUP	BAGUE POUR FILTRE	No.
12	0470900002		FILTRO GRUPPO FILTRANTE	FILTER OF FILTERING GROUP	FILTRE CUVE	No.
13	0320200007		TROPPOPIENO VASCA	OVERFLOW	TROP PLEIN EN PLASTIQUE	No.
14	00000388		FASCETTA BIFIL. Ø14.4X15.1	CLAMP Ø14.4X15.1	COLLIER Ø14.4X15.1	No.
15	00002933		TUBETTO TENUTA GABBIA D'ARIA	AIR TRAP JUNCTION	JONCTION POUR TRAPPE D'AIR	No.
16	00002927		RACCORDO ANTICONDENSA	FITTING	RACCORD ANTI-CONDENSATION	No.
17	00000391		FASCETTA BIFIL. Ø19.6x20.6	CLAMP Ø19.6x20.6	COLLIER Ø19.6x20.6	No.
18	00003536		DADO GABBIA D'ARIA	NUT FOR AIR TRAP	ÉCROU POUR TRAPPE DE L'AIR	No.
19	00002934		OR 4081	OR 4081	OR 4081	No.
20	0480100001		GABBIA D'ARIA VASCA (*)	AIR TRAP (*)	TRAPPE D'AIR (*)	
21	00002802		CORPO VALVOLA ANTIRIFLUSSO	NO RETURN VALVE BODY	CORPS VANNE ANTI REFLUX	No.
22	00000123		OR 115	OR 115	OR 115	No.
23	00000144		SFERA 5/8" PTFE (*)	SPHERE 5/8" PTFE (*)	BALLE 5/8" PTFE (*)	No.
24	00003086		GUARNIZIONE GOMMA	RUBBER GASKET	JOINT	No.
25	00002803		GHIERA VALVOLA ANTIRIFLUSSO	NO RETURN VALVE RING NUT	ECROU CLAPET ANTI-RETOUR	No.
26	00016213		COP. VALVOLA ANTIRIFLUSSO	COVER NO RETURN VALVE	COUVERCLE CLAPET ANTI-RETOUR	No.
27	00004120		DISTRIBUTORE A TRE VIE	THREE-WAY DISTRIBUTOR	DISTRIBUTEUR TROIS VOIES	No.

(*) RICAMBI CONSIGLIATI / RECOMMENDED SPARE PARTS / PIÈCES DÉTACHÉES RECOMMANDÉES



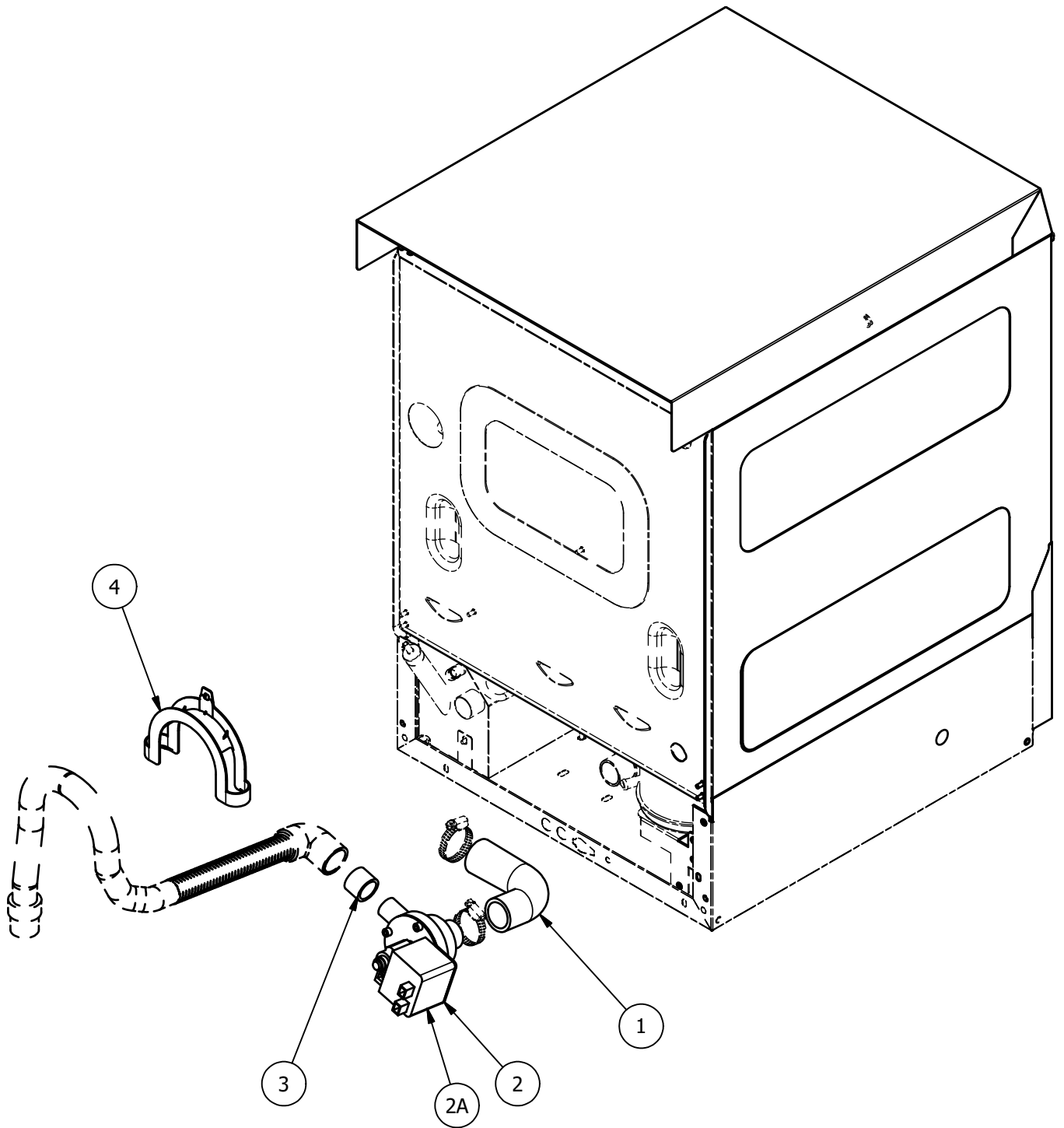
REV.00
(07/2020)

TYPE 3730-3930
BRACCI DI LAVAGGIO/RISCIACQUO - WAS/RINSE ARMS - BRAS DE LAVAGE/RINCAGE

TAV.4_2

ELEM.	CODICE	DA/FROM MATR.	DESCRIZIONE	DESCRIPTION [EN]	DESCRIPTION [FR]	U.M.
1	00010750		RACCORDO 90° M12x1	90° CONNECTION M12x1	RACCORD 90° M12x1	No.
2	00000025		OR 128	OR 128	OR 128	No.
3	00010747		FLANGIA ESTERNA	EXTERNAL FLANGE	BRIDE EXTERNE	No.
4	00010801		GUARNIZIONE PER FLANGIA ESTERNA	EXTERNAL FLANGE GASKET	JOINT POUR BRIDE EXTERNE	No.
5	00012164		FLANGIA INTERNA	INTERNAL FLANGE	BRIDE INTERNE	No.
6	0430800002		FULCRO TIRANTE INTERNO	RINSE THROUGH PIN	AXE BRAS DE RINÇAGE	No.
7	0166800001		ASS. GIRELLO RISCIACQUO	RINSE ARM ASSEMBLY	ASS. BRAS DE RINCAGE	No.
8	00017155		UGELLO RISCIACQUO INOX	RINSE NOZZLE	GICLEUR RINCAGE	No.
9	00002531		OR 106	OR 106	OR 106	No.
10	00002502		TAPPO RISCIACQUO (*)	RINSE ARM PLUG (*)	BOUCHON BRAS DE RINCAGE (*)	No.
11	00001955		DISTRIBUTORE 2RP (*)	CONNECTOR (*)	CONNECTEUR (*)	No.
12	0162500002		ASS. GIRANTE LAVAGGIO	WASHING ARM	BRAS DE LAVAGE	No.
13	00002650		TAPPO TUBI LAVAGGIO (*)	WASHING ARM CAP (*)	BOUCH. BRAS DE LAVAGE (*)	No.
14	00002654		MOLLA AD ARCHETTO	SPRING	RESSORT	No.
15	00000093		OR 121	OR 121	OR 121	No.
16	00001954		DISTRIBUTORE 4RP (*)	CONNECTOR (*)	CONNECTEUR (*)	No.
17	00002153		FULCRO CROCIERA	WASHING SHAFT PIN	AXE BRAS LAVAGE	No.
18	00004671		RONDELLA DI APPOGGIO	WASHER	RONDELLE D'APPUI	No.
19	00001173		RONDELLA PER GIRANTE (*)	WASHING ARM WASHER (*)	RONDELLE POUR BRAS DE LAV. (*)	No.
20	00012193		COPRITIRANTE	COVER	COUVRE-TIRANT	No.
21	00012996		TIRANTE INFERIORE	FIXING PART	TIRANT INFERIEUR	No.
22	0330600001		DISTRIBUTORE MONOLAVAGGIO	SINGLE WASH DISTRIBUTOR	DISTRIBUTEUR UNIQUE LAVAGE	No.
23	00010620		RACCORDO 90° M13x1	90° M13x1 PLASTIC CONNECTION	RACCORD POUR TUYAU DE RINCAGE INFERIEUR 90° M13x1	No.
24	00001133		VITE INOX GODRONATA (*)	S.S. KNURLED SCREW (*)	VIS INOX GODRONNE' (*)	No.
25	00002808		ANELLO PTFE (*)	PTFE RING (*)	JOINT EN PTFE (*)	No.

(*) RICAMBI CONSIGLIATI / RECOMMENDED SPARE PARTS / PIECES DETACHEES RECOMMANDEES



KIT POMPA DI SCARICO COMPLETO - COMPLETE DRAIN PUMP KIT - KIT POMPE DE VIDANGE COMPLET: 8395-0002

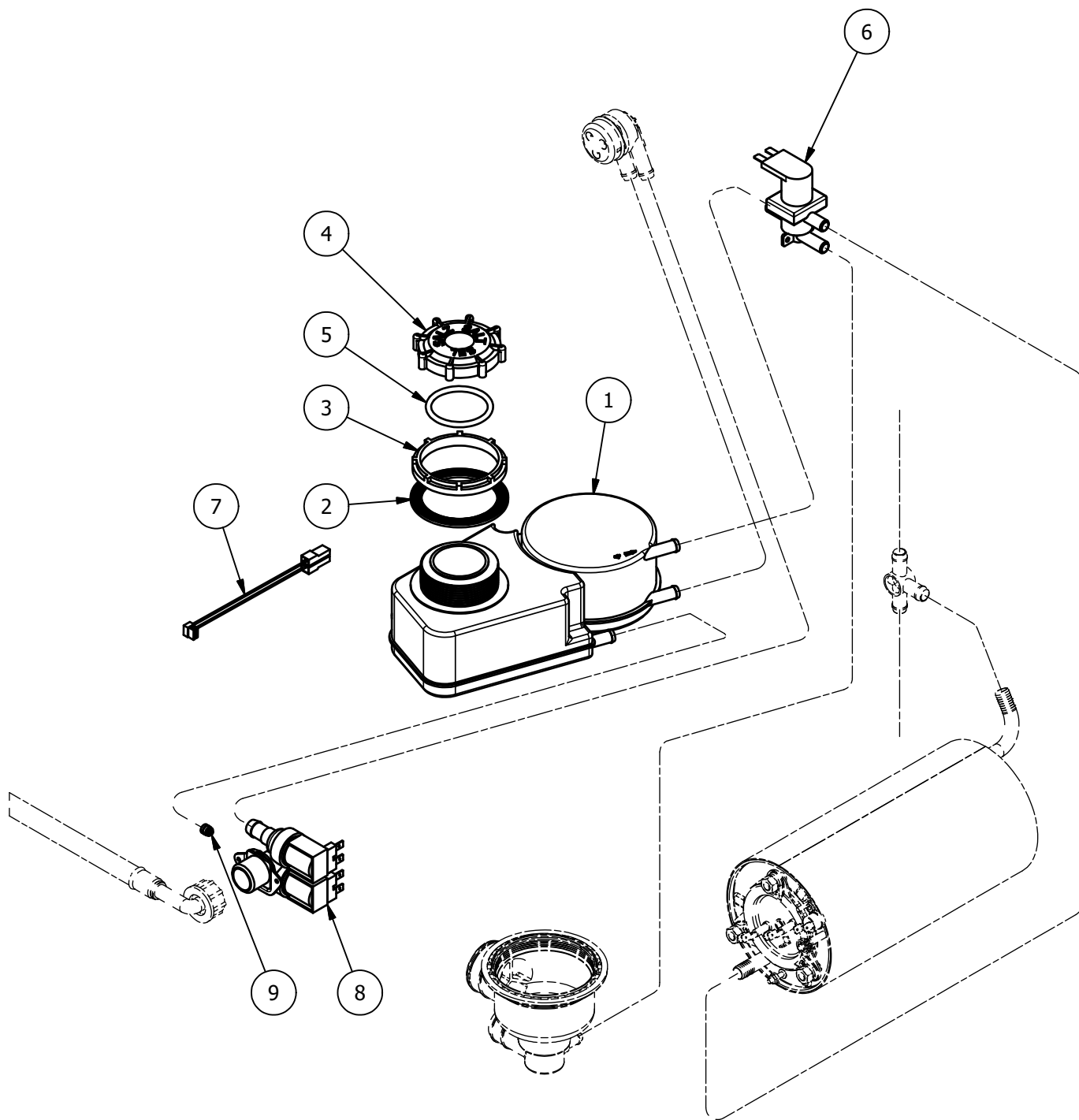
REV.00
(07/2020)

TYPE 3730-3930
KIT POMPA DI SCARICO - KIT DRAIN PUMP - KIT POMPE DE VINDAGE

TAV.5_2

ELEM.	CODICE	DA/FROM MATR.	DESCRIZIONE	DESCRIPTION [EN]	DESCRIPTION [FR]	U.M.
1	00004985		MANICOTTO IN GOMMA	RUBBER HOSE	TUYAU EN GOMME	No.
2	00009563		POMPA DI SVUOTAMENTO 230V 50Hz (*)	DRAIN PUMP 230V 50Hz (*)	POMPE DE VIDANGE 230V 50Hz (*)	No.
2A	6006-0001		POMPA DI SVUOTAMENTO 230V 60Hz (*)	DRAIN PUMP 230V 60Hz (*)	POMPE DE VIDANGE 230V 60Hz (*)	No.
3	3040-0002		TUBO EPDM	EPDM HOSE	TUYAU EN EPDM	No.
4	00016395		CURVA SUPPORTO TUBO SCARICO	DRAIN HOSE SUPPORT	SUPPORT DU TUYAU D'ÉCHAPPEMENT	No.

(*) RICAMBI CONSIGLIATI / RECOMMENDED SPARE PARTS / PIECES DETACHEES RECOMMANDEES



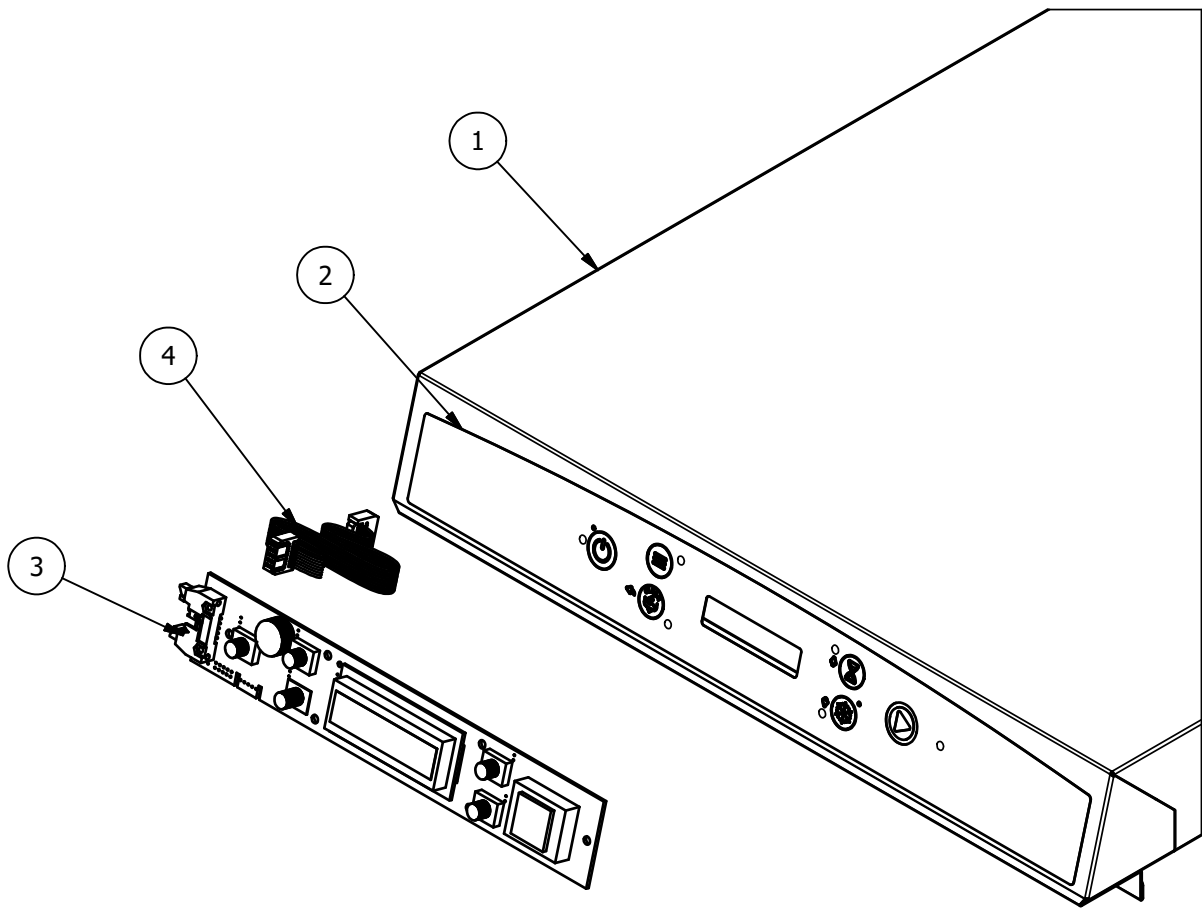
REV.00
(07/2020)

TYPE 3730-3930
ADDOLCITORE - WATER SOFTNER - ADOUCISSEUR

TAV.6_2

ELEM.	CODICE	DA/FROM MATR.	DESCRIZIONE	DESCRIPTION [EN]	DESCRIPTION [FR]	U.M.
1	00017209		ASS. ADDOLCITORE AUTOMATICO	AUTOM. WATER SOFTNER ASSY	ENS. DU L'ADOUCCISSEUR	No.
2	00006152		GUARNIZIONE	GASKET	JOINT	No.
3	2019-0001		GHIERA ADDOLCITORE	THREADED RING OF WATER SOFTNER	BAGUE POUR L'ADOUCCISSEUR	No.
4	2006-0001		TAPPO ADDOLCITORE	WATER SOFTNER CAP	CAP DU L'ADOUCCISSEUR	No.
5	2060-0004		OR TAPPO ADDOLCITORE	CAP OR	OR DU CAP	No.
6	00015785		ELETTROV. DOPPIA USCITA (*)	SOLENOID VALVE DOBLE EXIT (*)	ÉLECTROVANNE À DOUBLE SORTIE (*)	No.
7	4040-0003		CAVO COLLEGAMENTO ADDOLCITORE AUTOMATICO	WATER SOFTNER CONNECTION CABLE	CÂBLAGE DU L'ADOUCCISSEUR	No.
8	2017-0001		ELETTROV. DOPPIA 90° 230V 50/60Hz (*)	SOLENOID VALVE 90° 230V 50/60Hz (*)	ÉLECTROVANNE 90° 230V 50/60Hz (*)	No.
9	00006524		RIDUTTORE DI PORTATA 0.5 L/MIN	FLOW REDUCER 0.5 L/MIN	RÉDUCTEUR DE DÉBIT 0.5 L/MIN	No.

(*) RICAMBI CONSIGLIATI / RECOMMENDED SPARE PARTS / PIÈCES DÉTACHÉES RECOMMANDÉES



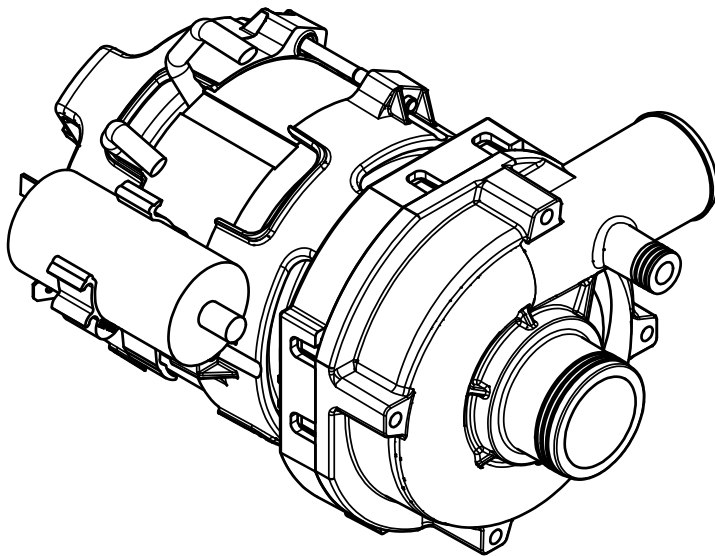
REV.00
(07/2020)

TYPE 3730-3930
PANNELLO COMANDI - FRONT PANEL - PANNEAU DE CONTROLE

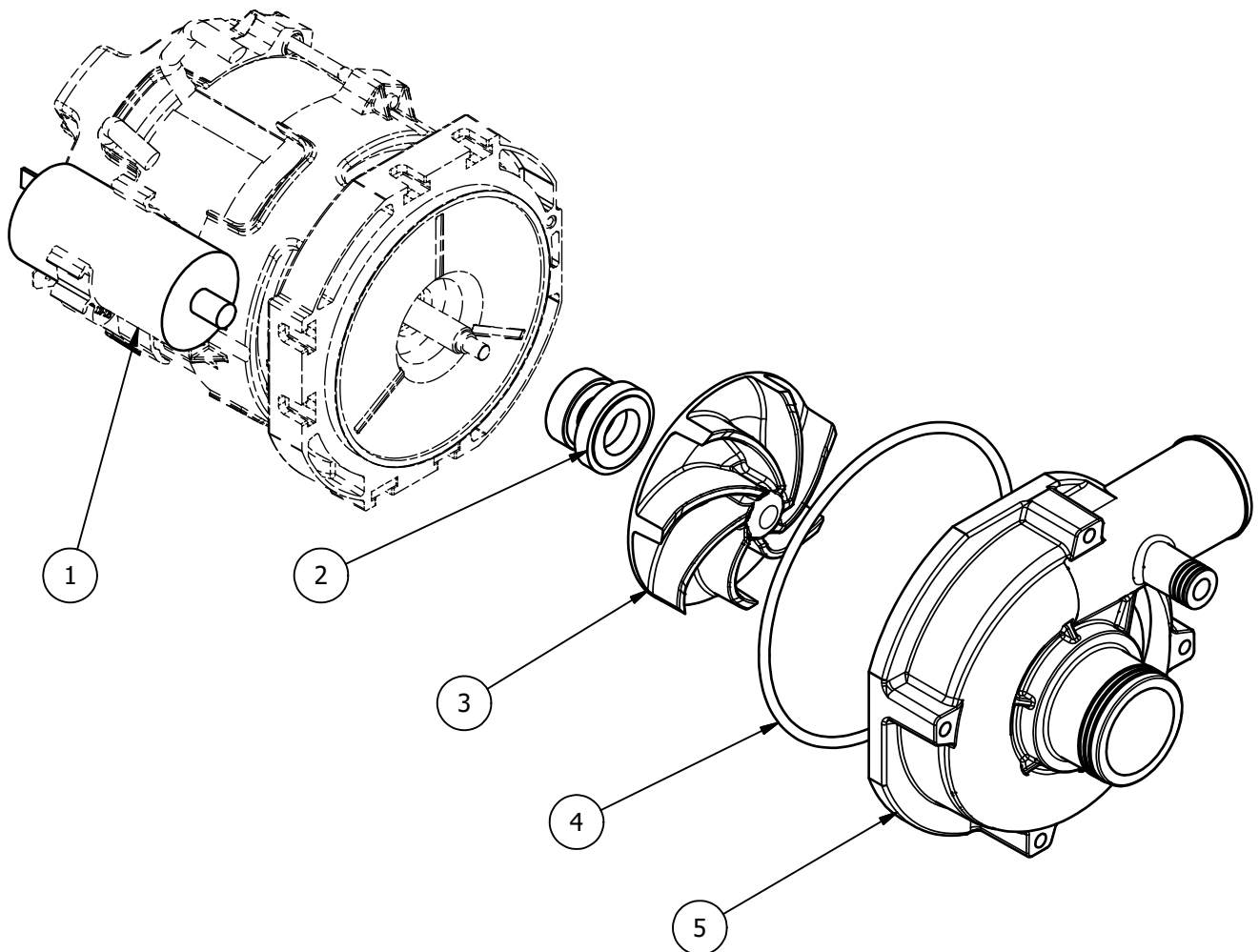
TAV.7_2

ELEM.	CODICE	DA/FROM MATR.	DESCRIZIONE	DESCRIPTION [EN]	DESCRIPTION [FR]	U.M.
1	1750100003		ASS. CAPOTTINA	UPPER COVER ASSY	ENSEMBLE COUVERCLE SUPÉRIEUR	No.
2			MEMBRANA ADESIVA	ADHESIVE LABEL	MEMBRANE ADHÉSIVE	No.
3	4035-0001		DISPLAY 6 TASTI (*)	6-KEYS DISPLAY (*)	AFFICHAGE À 6 BOUTONS (*)	No.
4	4040-0005		CAVO FLAT 10 FILI (*)	10-WIRES FLAT CABLE (*)	CÂBLE PLAT À 10 FILS (*)	No.

(*) RICAMBI CONSIGLIATI / RECOMMENDED SPARE PARTS / PIÈCES DÉTACHÉES RECOMMANDÉES



COD. 0040100002 (230V 50Hz)
COD. 6001-0006 (230V 60Hz)



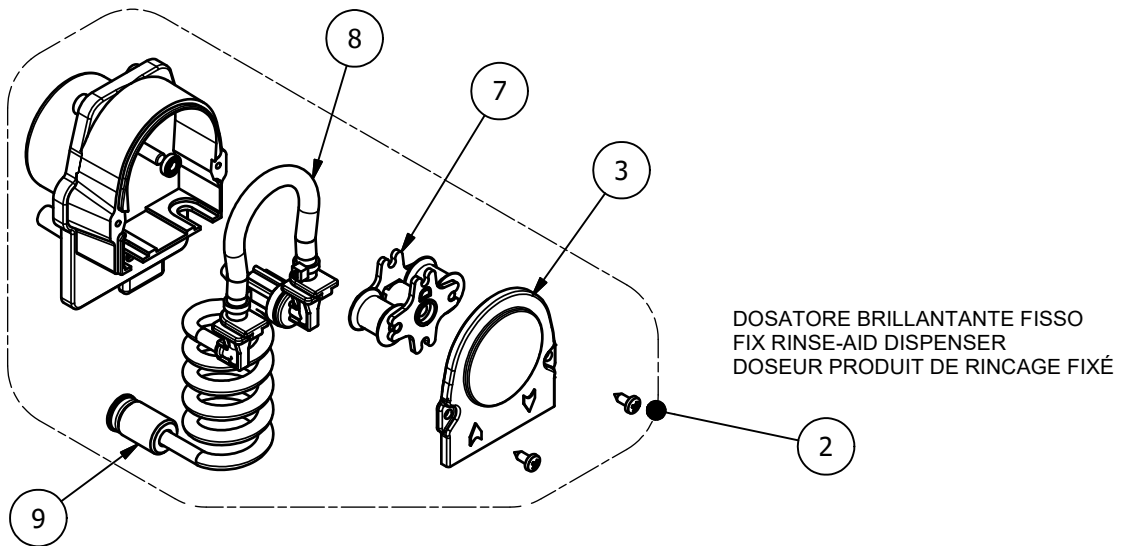
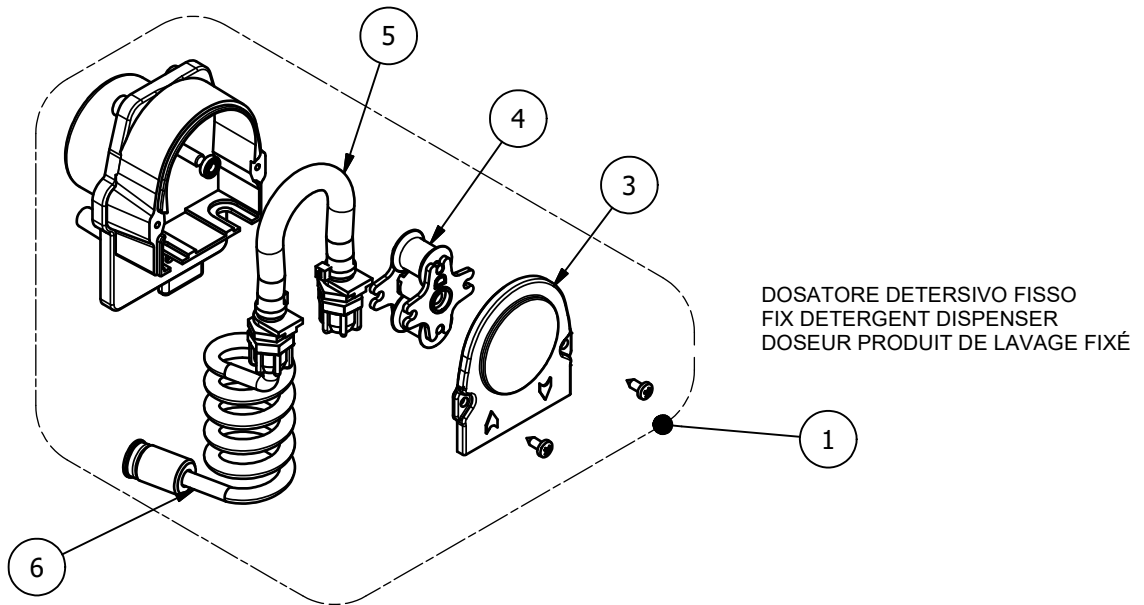
REV.00
(07/2020)

TYPE 3730-3930
POMPA DI LAVAGGIO - WASHING PUMP - POMPE DE LAVAGE

TAV.8_2

ELEM.	CODICE	DA/FROM MATR.	DESCRIZIONE	DESCRIPTION [EN]	DESCRIPTION [FR]	U.M.
1	2080-0002		CONDENSATORE 5uF	CAPACITOR 5uF	CONDENSATEUR 5uF	No.
1A	2080-0004	83510001	CONDENSATORE 6.3uF	CAPACITOR 6.3uF	CONDENSATEUR 6.3 uF	No.
2	8395-0010		KIT TENUTA ROTANTE - SPW130SX	SEAL KIT - SPW130SX	KIT D'ÉTANCHÉITÉ - SPW130SX	No.
2A	8395-0015		KIT TENUTA ROTANTE - OLYMPIA	SEAL KIT - OLYMPIA	KIT D'ÉTANCHÉITÉ - OLYMPIA	No.
3	8304-0005		GIRANTE POMPA - SPW 130 SX [50Hz]	IMPELLER - SPW 130 SX [50Hz]	ROUE - SPW130SX [50 Hz]	No.
3A	8304-0013		GIRANTE D.57 - SPW130SX [60Hz]	IMPELLER D.57 - SPW130SX [60Hz]	ROUE D.57 - SPW130SX [60 Hz]	No.
3B	2068-0001		GIRANTE D.67 PER OLYMPIA [50Hz]	IMPELLER D.67 - OLYMPIA [50Hz]	ROUE D.67 - OLYMPIA [50 Hz]	No.
4	2060-0001		GUARNIZIONE POMPA - SPW130SX	GASKET - SPW130SX	JOINT -SP130SX	No.
4A	00014574		GUARNIZIONE POMPA - OLYMPIA	GASKET - OLYMPIA	JOINT - OLYMPIA	No.
5	2070-0001		CHIOCCIOLA POMPA - SPW130SX	CASING - SPW130SX	CARTER - SPW130SX	No.
5A	00014572		CHIOCCIOLA POMPA - OLYMPIA	CASING - OLYMPIA	CARTER - OLYMPIA	No.

(*) RICAMBI CONSIGLIATI / RECOMMENDED SPARE PARTS / PIECES DETACHEES RECOMMANDEES



REV.00
(07/2020)

TYPE 3730-3930

DOS. DET. E BRILL. - DETERG. AND RINSE-AID DISPENSER - DOS. PRODUIT DE LAV. ET RINC.

TAV.9_2

ELEM.	CODICE	DA/FROM MATR.	DESCRIZIONE	DESCRIPTION [EN]	DESCRIPTION [FR]	U.M.
1	00016182		ASS. DOS.DETER. ELETTR. FISSO 3Lt/h	FIX DETER. DISPENSER 3Lt/h	DOSEUR PRODUIT DE LAV. FIXE 3Lt/h	No.
2	8395-0011		ASS. DOS. BRILL. ELETTR. FISSO 0.5Lt/h	FIX RINSE AID DISPENSER 0.5Lt/h	DOSEUR RINCAGE FIXE 0.5Lt/h	No.
3	8395-0013		COPERCHIO DI CHIUSURA	COVER ASSY	COUVERTURE DE FERMETURE	No.
4	00006632		ASS. PORTARULLI DOS. DETERSIVO (*)	DETERGENT DISPENSER ROLL HOLDER ASSY (*)	ENSEMBLE SUPPORT DE ROULEAU DOSEUR PRODUIT DE LAV. (*)	No.
5	00017128		TUBO INTERNO DOSAT. DETERSIVO (*)	INTERNAL DETERG. DISPENSER HOSE (*)	TUBE INTERNE POUR DOSEUR PRODUIT DE LAV. (*)	No.
6	00005069		ASS. FILTRO DOSAT. DETERS. CON TUBO	DETERG. DISPENS. FILTER ASSY	ENS. DU FILTRE DU DOSEUR PRODUIT DE LAV. AVEC TUBE	No.
7	8395-0014		ASS. PORTARULLI DOS. BRILL. (*)	RINSE AID DISPENSER ROLL HOLDER ASSY (*)	ENSEMBLE SUPPORT DE ROULEAU DOSEUR RINC. (*)	No.
8	8395-0012		TUBO INTERNO DOSAT. BRILLANTE CON VALV. (*)	INTERNAL RINSE AID DISP. HOSE WITH VALVE (*)	TUBE INTERNE POUR DOSEUR RINC. AVEC VANNE(*)	No.
9	00005070		ASS. FILTRO DOSAT. BRILL. CON TUBO	RINSE AID DISPENS. FILTER ASSY	ENS. DU FILTRE DU DOSEUR RINCAGE AVEC TUBE	No.

(*) RICAMBI CONSIGLIATI / RECOMMENDED SPARE PARTS / PIECES DETACHEES RECOMMANDEES