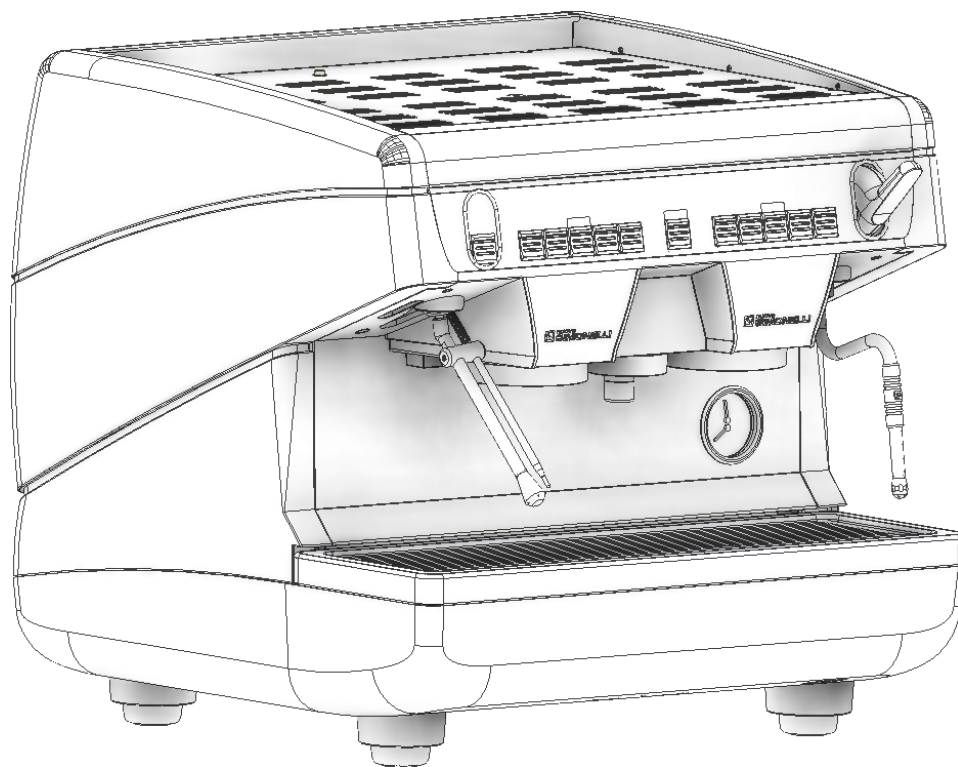


PRODOTTI / RICAMBI
PRODUCTS / SPARE PARTS
PRODUITS / PIÈCES DÉTACHÉES
PRODUKTE / ERSATZTEILE
PRODUCTOS / REPUESTOS

APPRIA II

Esplosi: mod. "2GR Compact"

04/2019



SIMONELLI | GROUP

I N D I C E

- » TAV □ 1 - **COMPONENTI GRUPPO CARENA**
CABINET PARTS
- » TAV □ 2 - **COMPONENTI GRUPPO INVOLUCRO COMANDI**
CONTROL PANEL PARTS
- » TAV □ 3 - **COMPONENTI GRUPPO EROGAZIONE**
POURING UNIT GROUP PARTS
- » TAV □ 4 - **COMPONENTI IDRAULICI**
HYDRAULIC PARTS
- » TAV □ 5 - **COMPONENTI RUBINETTI VAPORE E ACQUA CALDA**
STEAM & HOT WATER VALVES PARTS
- » TAV □ 6 - **COMPONENTI AUTOSTEAM**
AUTOSTEAM PARTS
- » TAV □ 7 - **COMPONENTI EASY CREAM**
EASY CREAM PARTS
- » TAV □ 8 - **COMPONENTI GRUPPO IDRAULICO**
HYDRAULIC GROUP PARTS
- » TAV □ 9 - **COMPONENTI CALDAIA**
BOILER PARTS
- » TAV 1 □ - **COMPONENTI TELAIO**
FRAME PARTS
- » TAV 1 1 - **COMPONENTI ELETTRICI ED ELETTRONICI**
ELECTRONIC & ELECTRIC PARTS
- » TAV 1 2 - **PARTI DI RICAMBIO**
MAINTENANCE PARTS

» LEGENDA :

I CODICI SCRITTI IN GRASSETTO SI RIFERISCONO AI COMPONENTI IMPIEGATI ATTUALMENTE.

I CODICI IMPIEGATI PRIMA SONO SCRITTI IN CORSIVO CON INDICATA A FIANCO LA DATA DI FINE VALIDITA'.

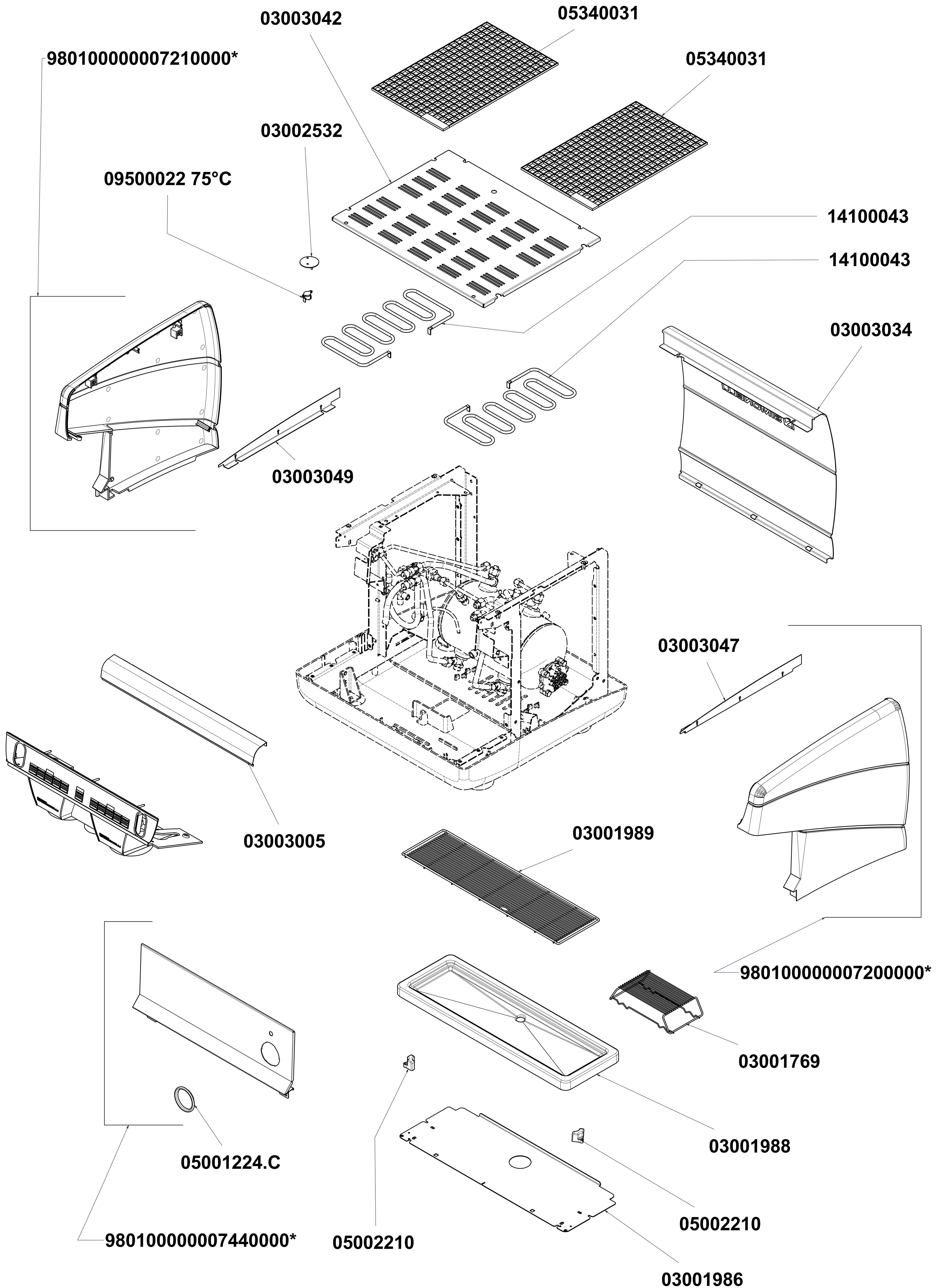
ESEMPIO:

07300127 (φ2.5) - 16/05/2007
07300226 (φ2)

COMPONENTI GRUPPO CARENA

CABINET PARTS

A
P
P
I
A
I
I
C
O
M
P
A
C
T

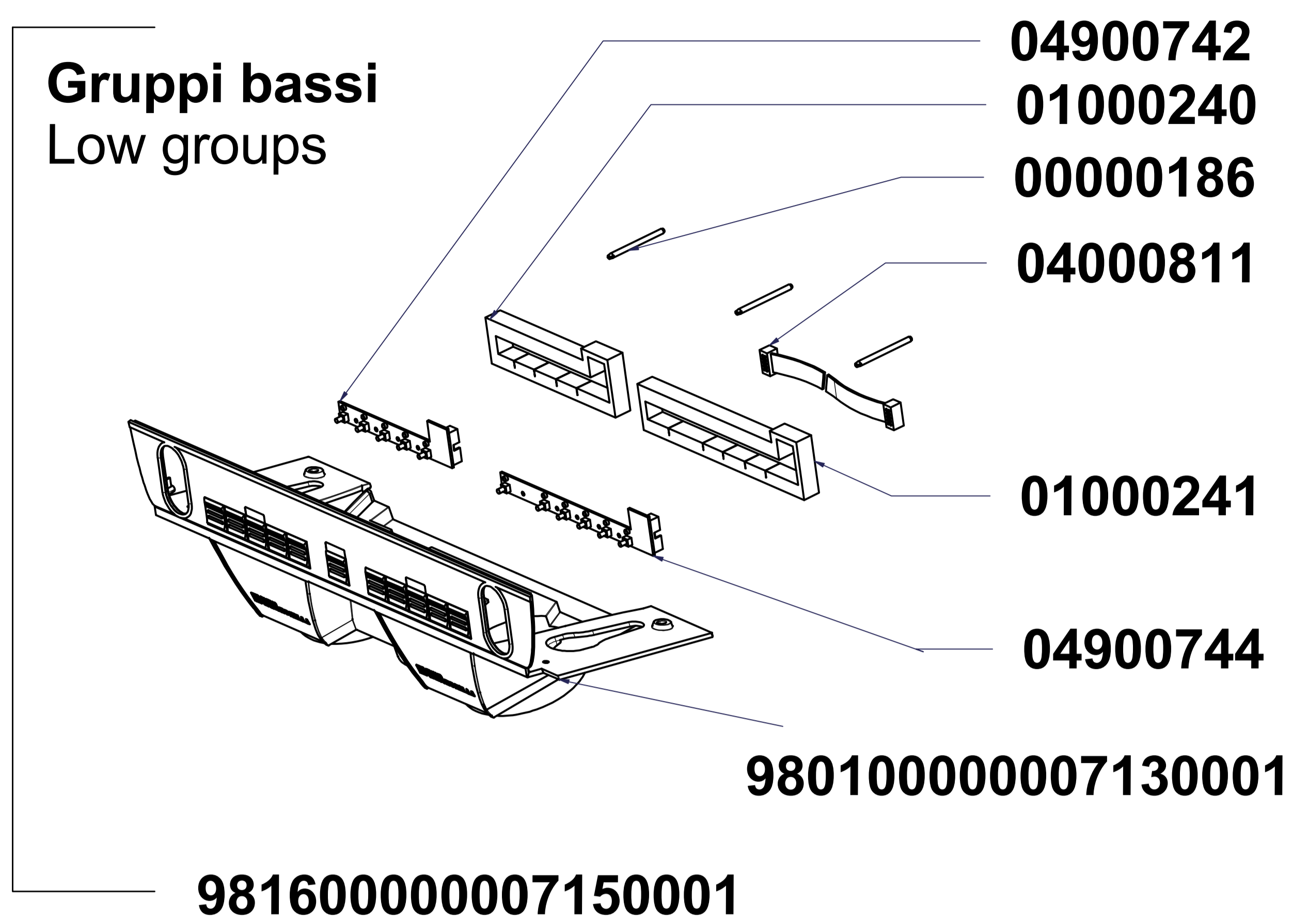


COMPONENTI GRUPPO INVOLUCRO COMANDI

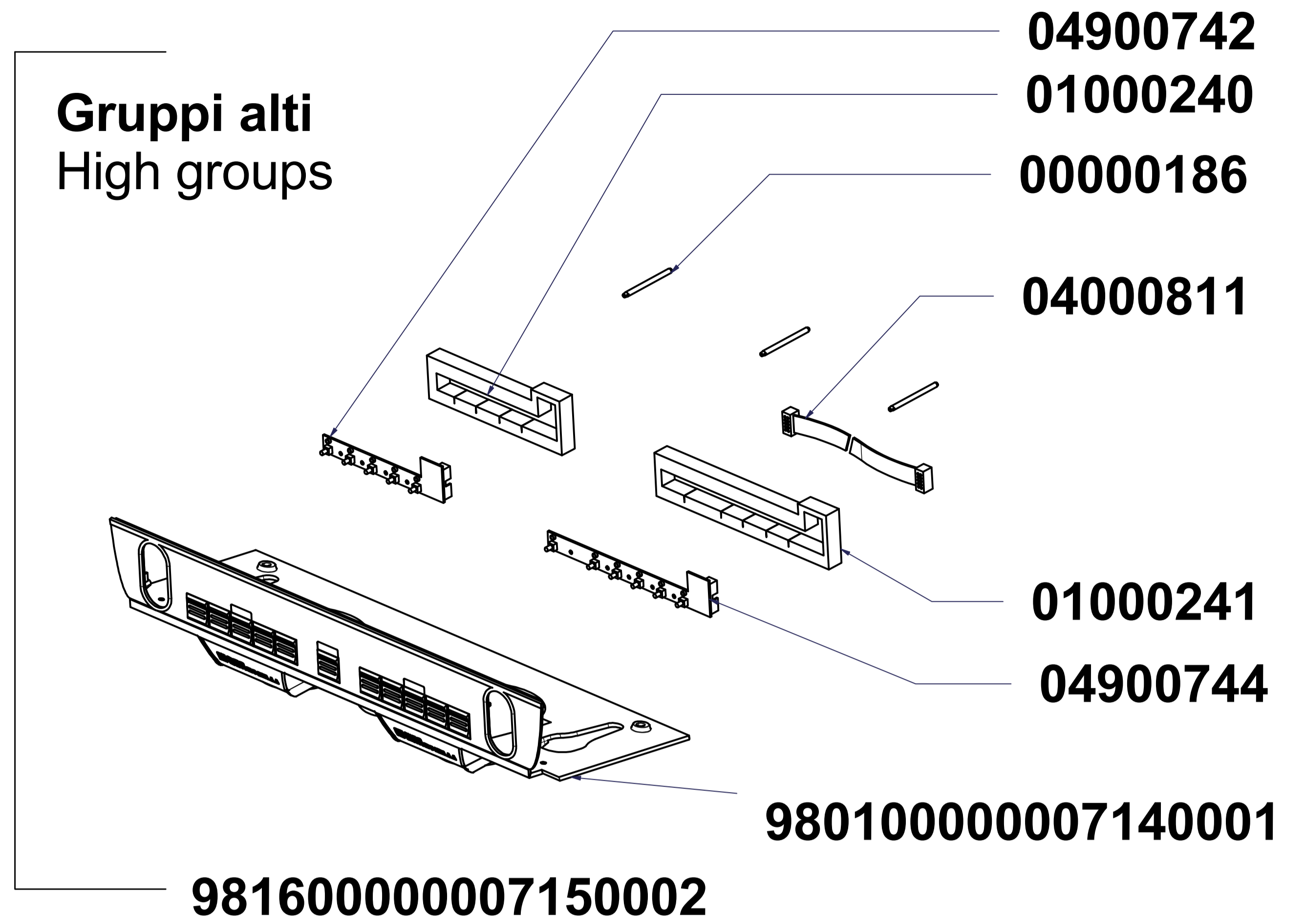
CONTROL PANEL PARTS

VOL

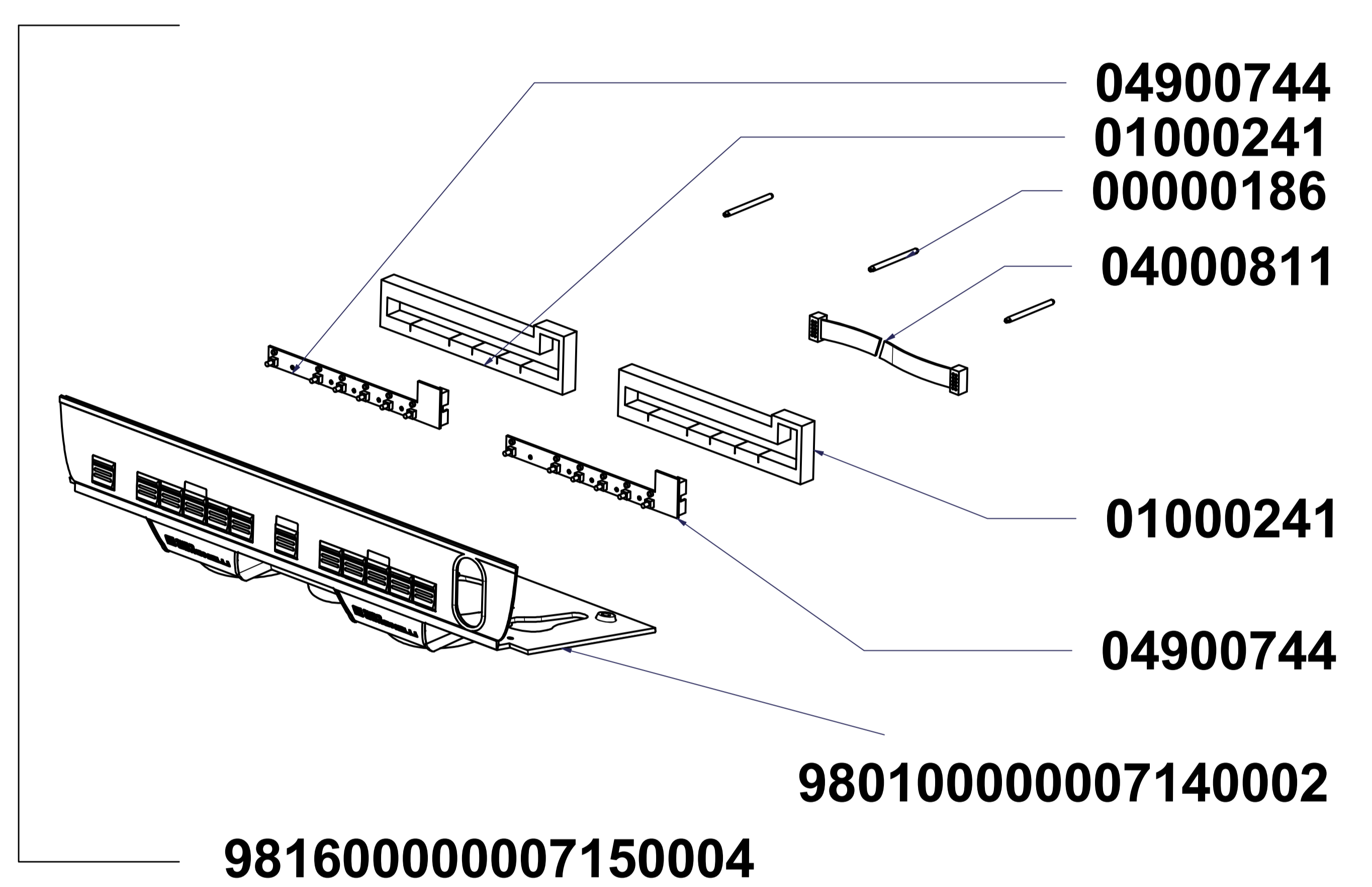
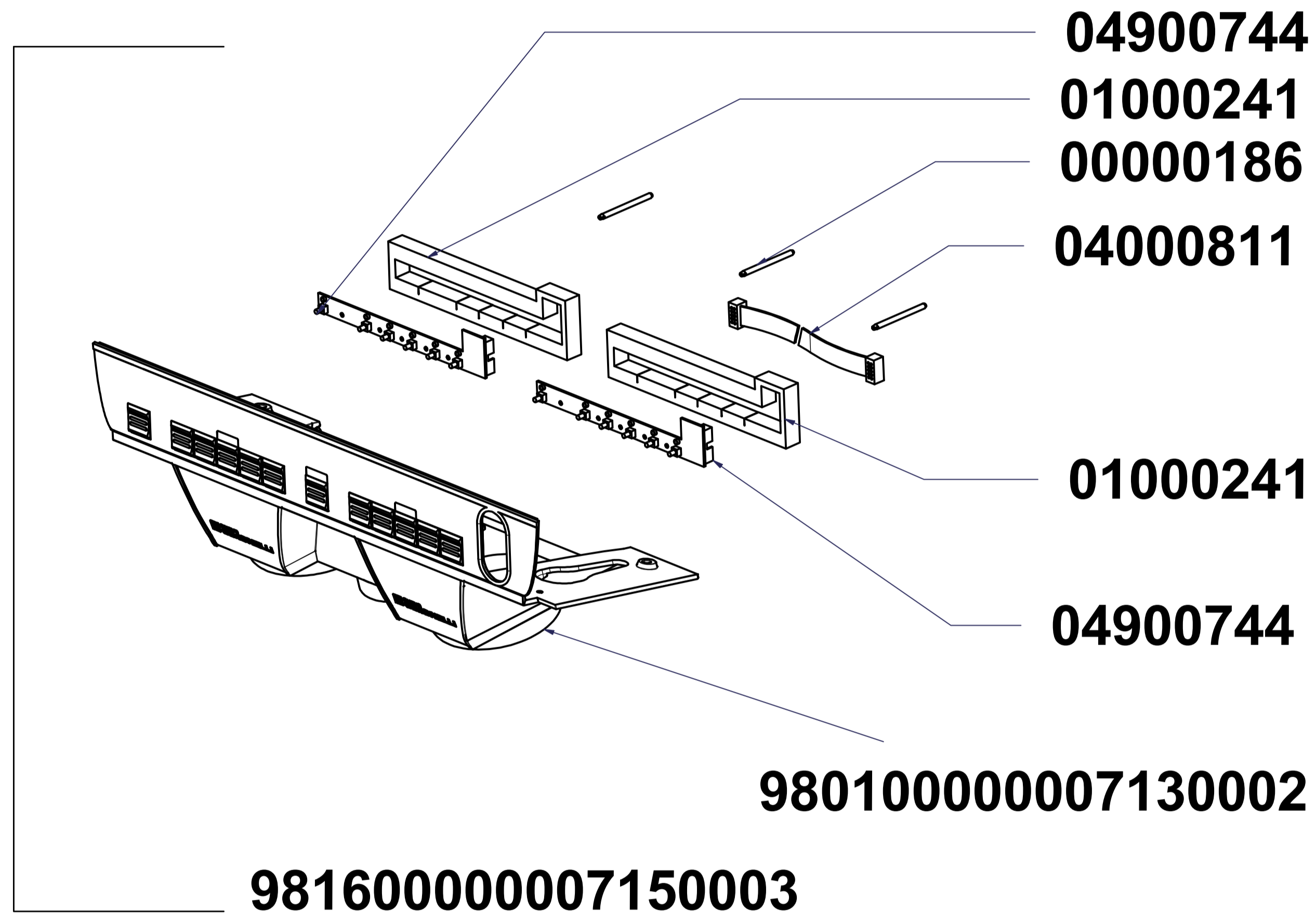
Gruppi bassi
Low groups



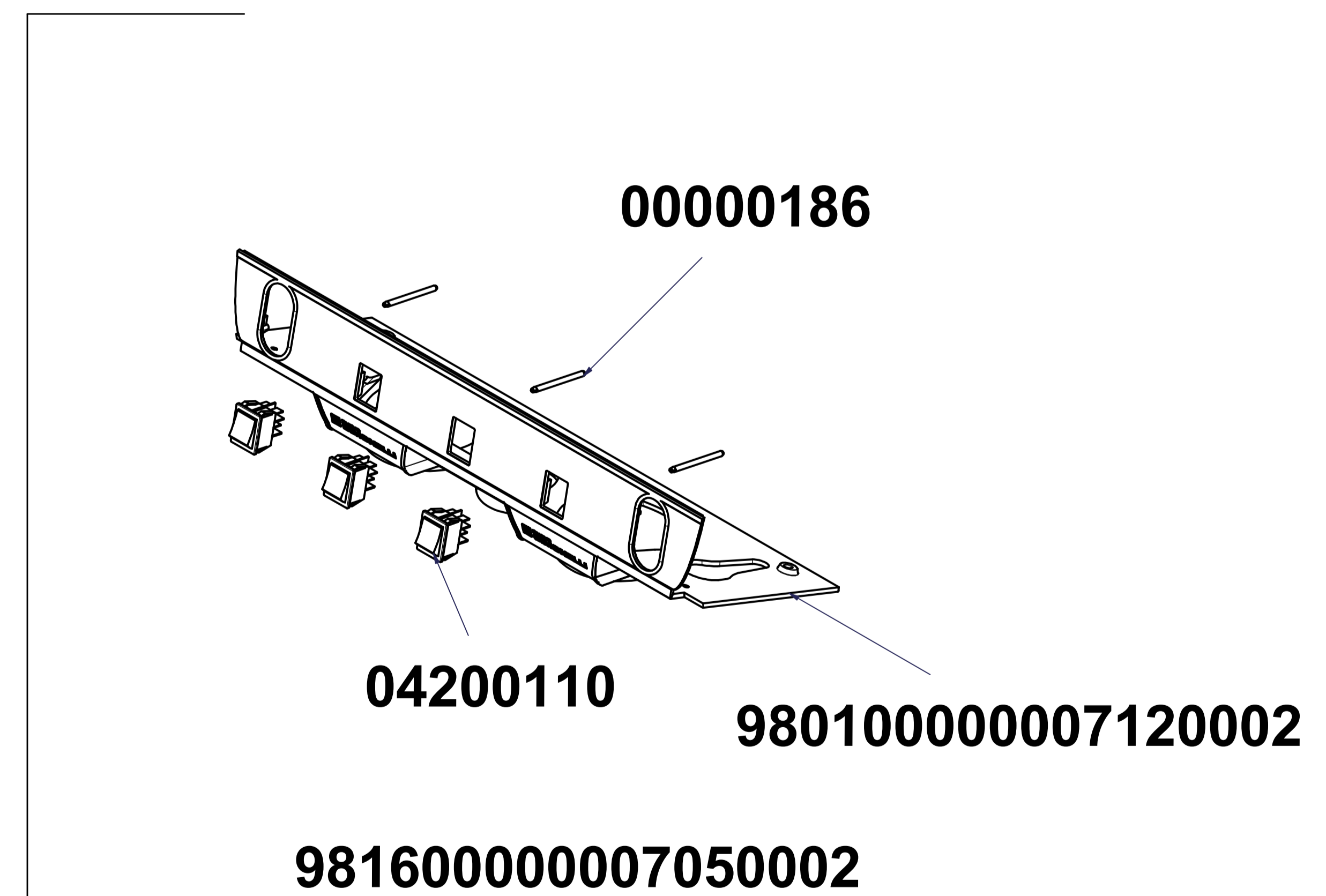
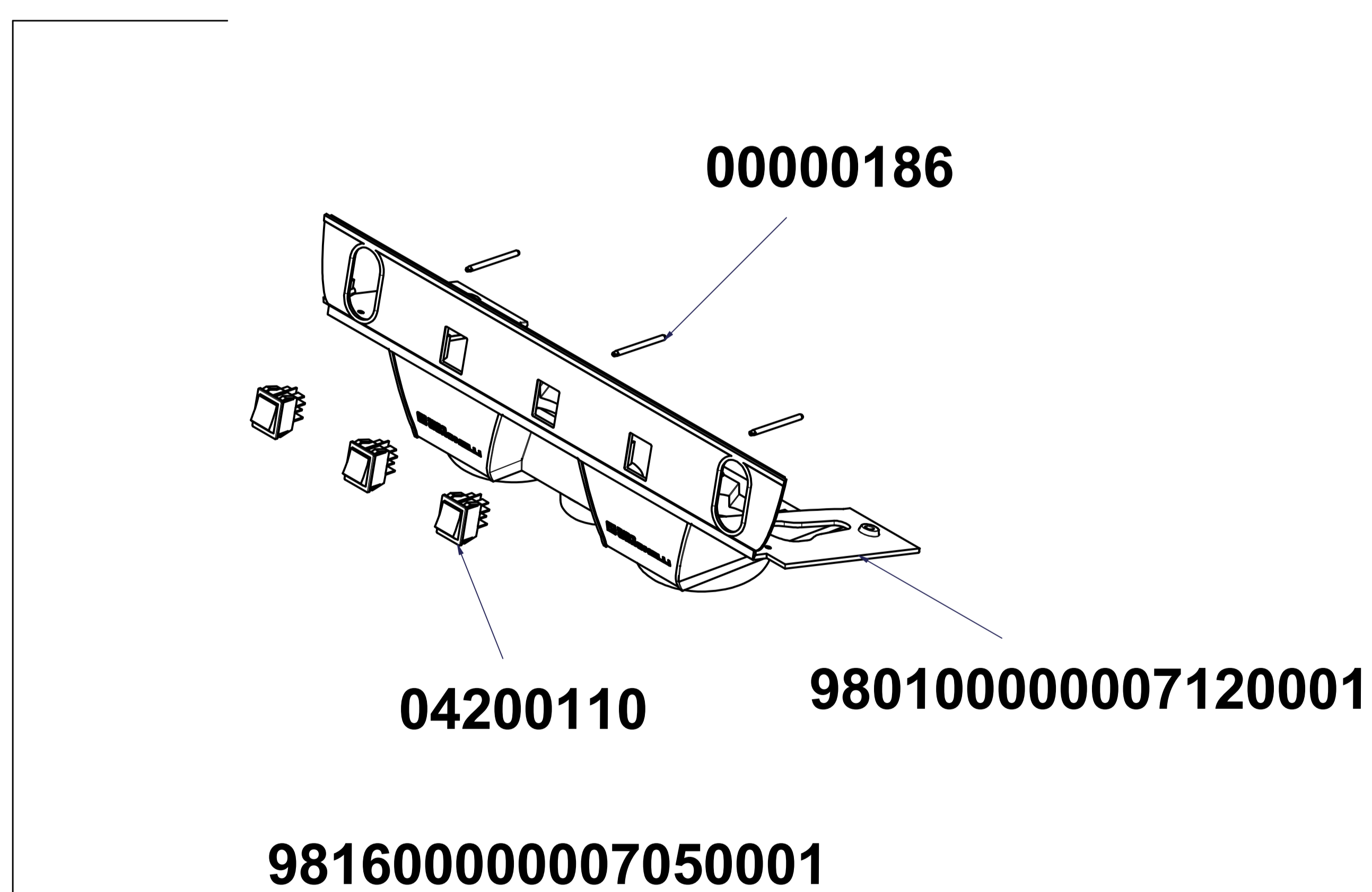
Gruppi alti
High groups



VOL AUTOSTEAM - EASY CREAM



SEM



A P P I A II C O M P A C T

COMPONENTI GRUPPO EROGAZIONE

POURING UNIT GROUP PARTS

APP I A II C O M P A C T

GRUPPO EROGAZIONE SX

07300171 00000197 07300128

07300223 Opt.

07300126 Ø1.5
07300231 Ø1.75 Opt.
07300226 Ø2 Opt.
07300127 Ø2.5 Opt.

07300859 00000118

02290016

04100017 230V 50/60Hz
04100018 115V 60Hz
04100027 230V 50/60Hz CSA

02280020.V
KRIC0002 (long-life) Opt.

03000066 00000221 00000217

073000183.5 (H5)
073000183 (H3) Opt.

980400000005000000*

GRUPPI ALTI
High groups

98030264 SX
98030265 DX

98030266

GRUPPI BASSI
Low groups

98030260 SX
98030261 DX

98030262

GRUPPO EROGAZIONE DX

07300128

07300128

980400000005020000*

05080035

03000107

03000073

03000072

08000017

05000842
07300601
05000844
05000840

07300092

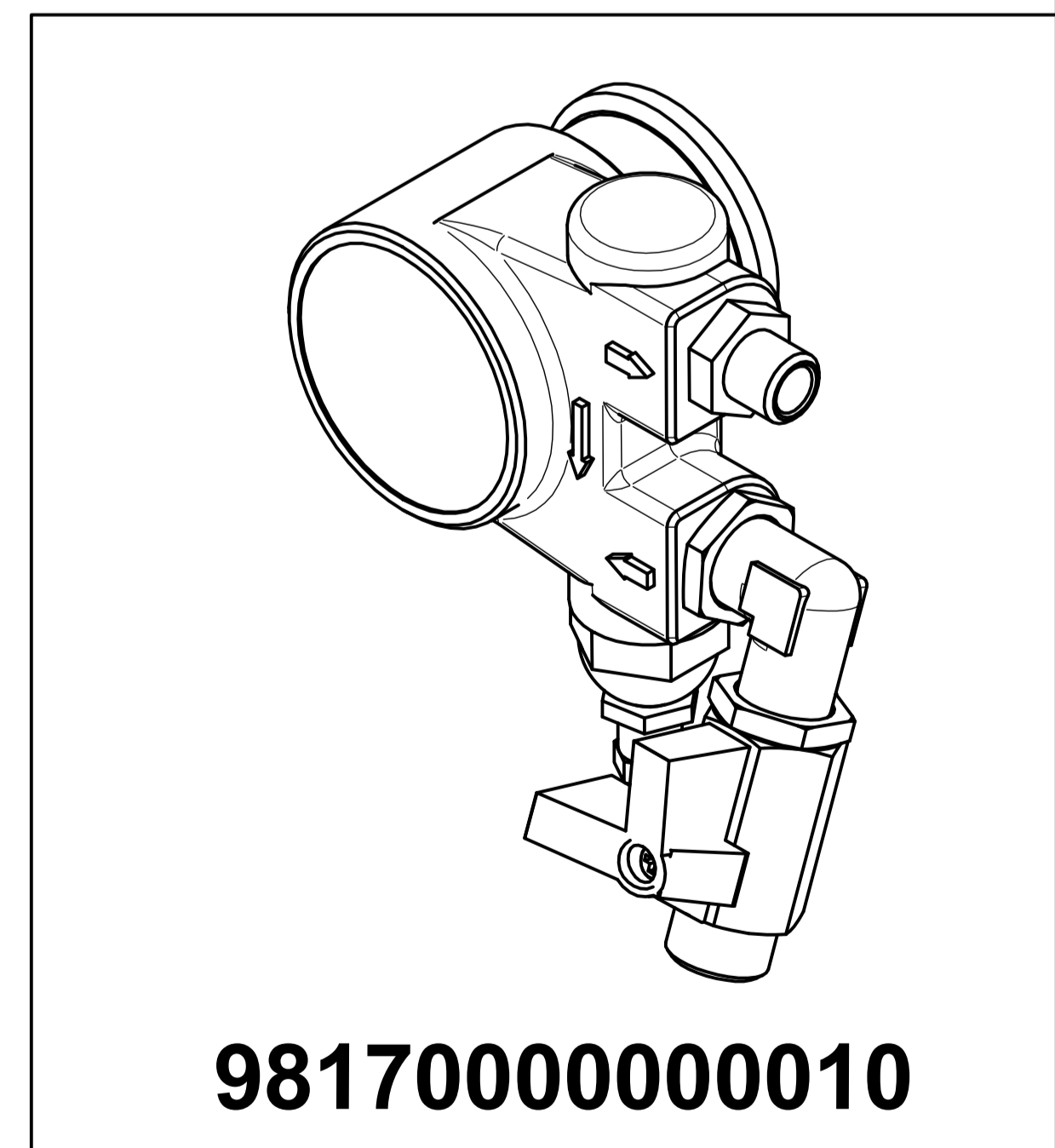
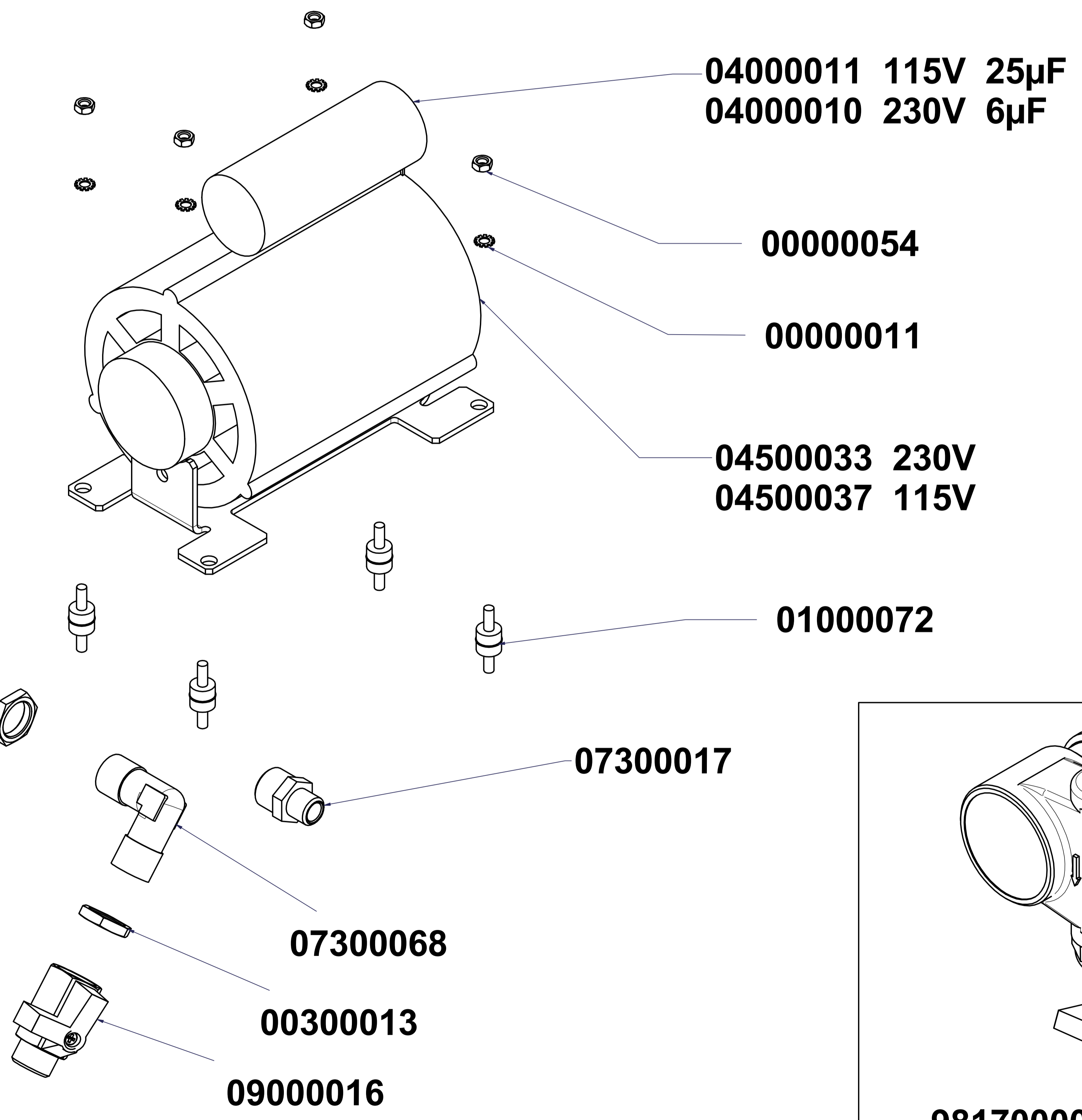
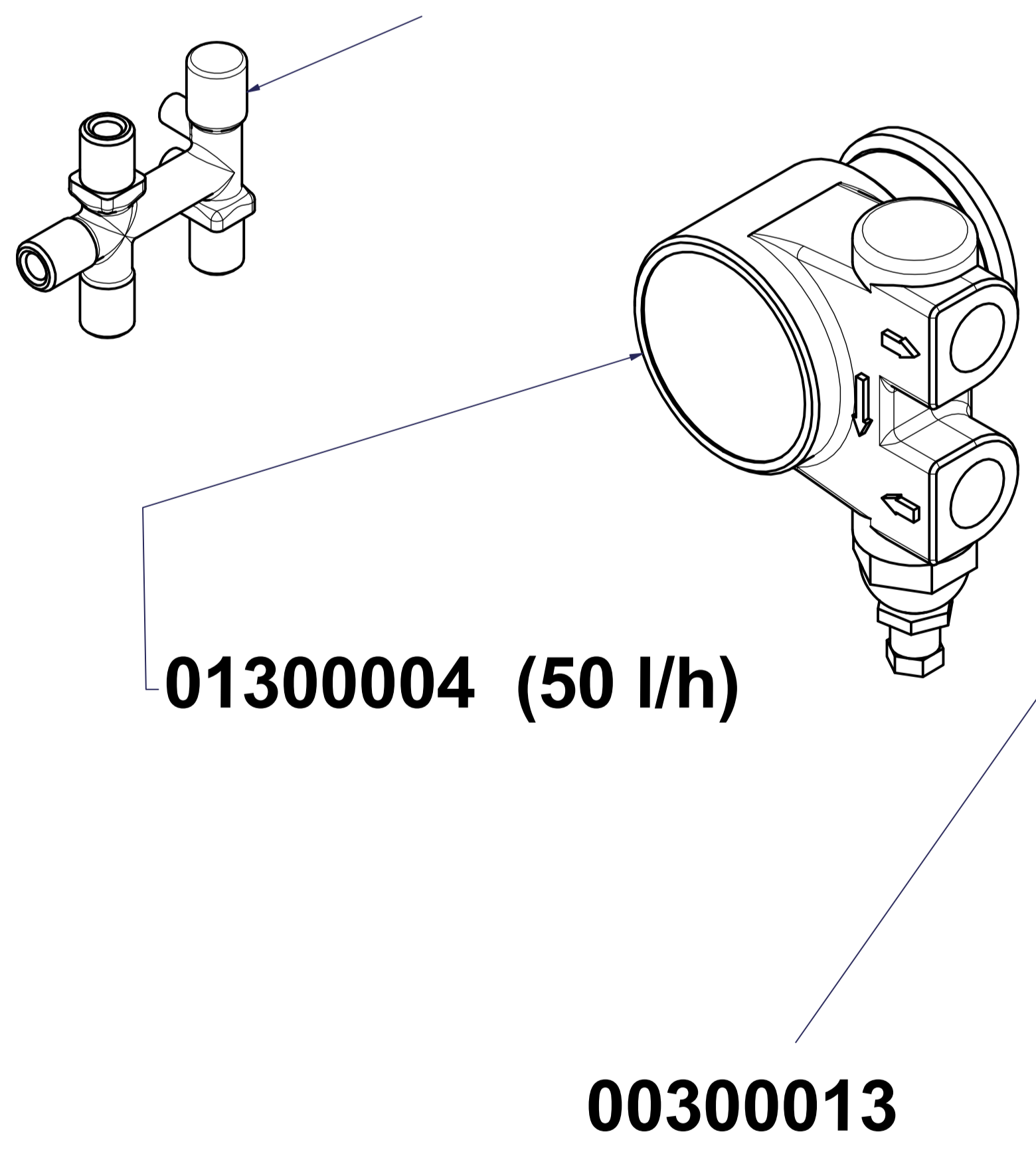
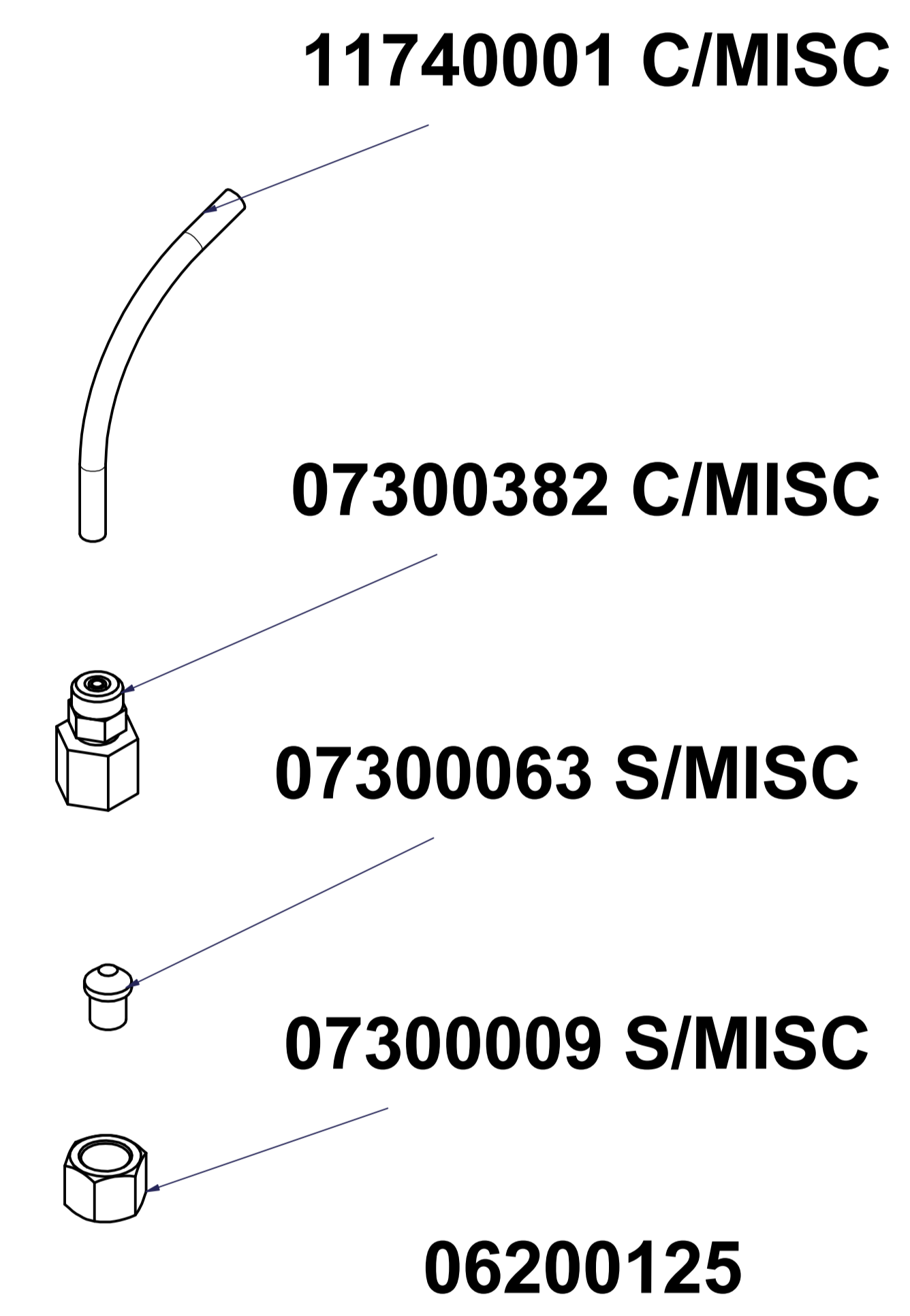
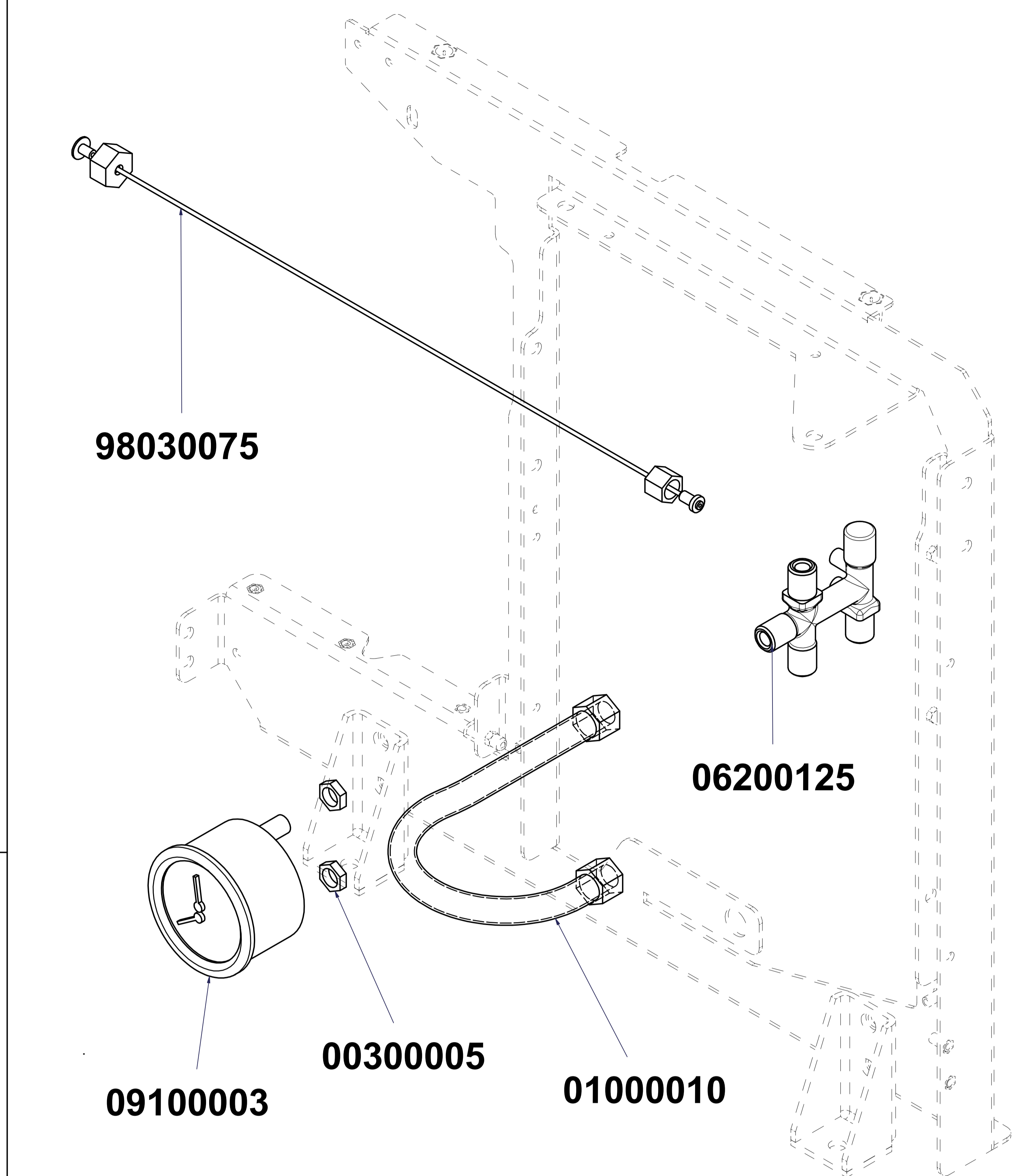
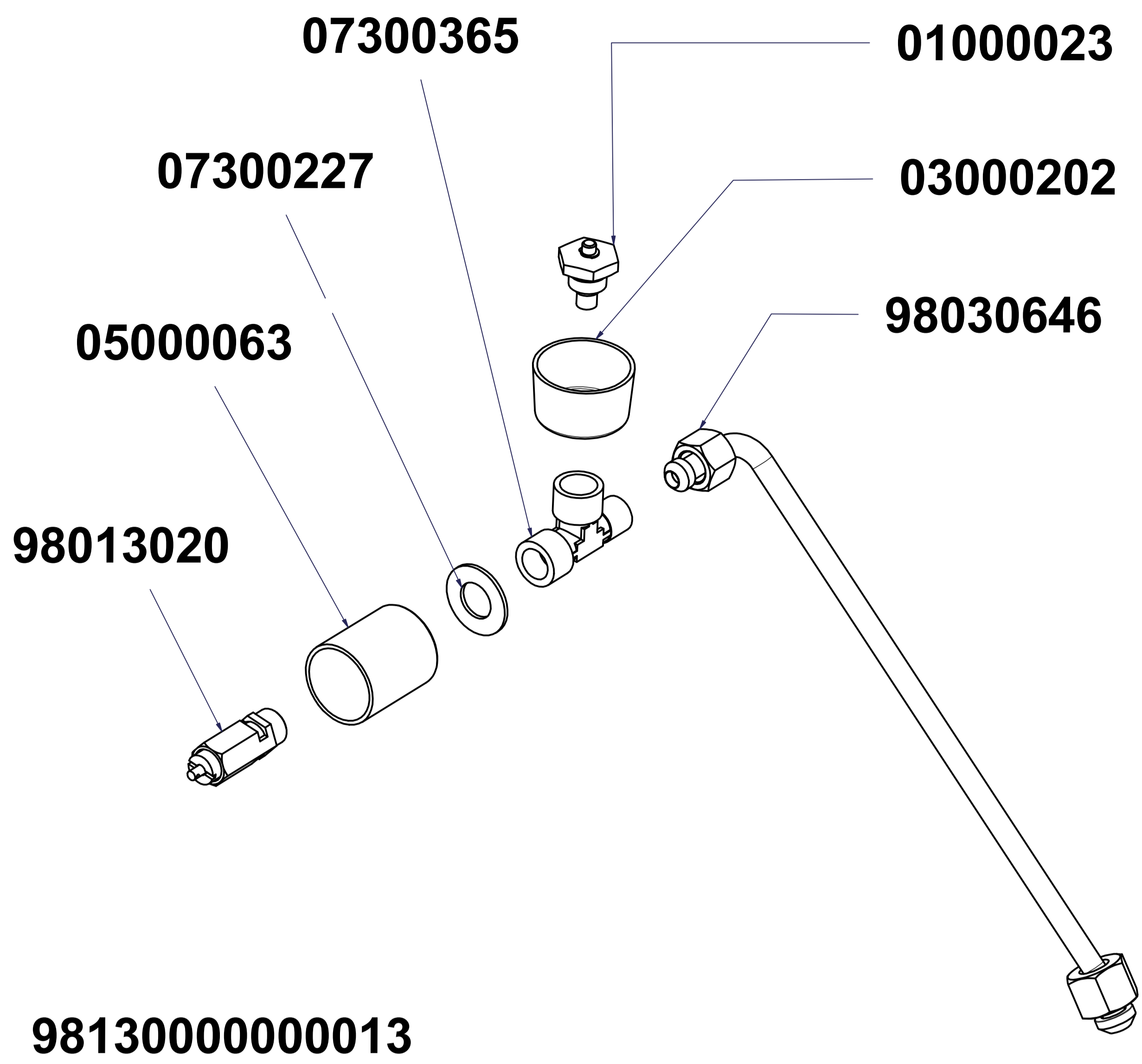
98005024

98005022 98005021 06200008

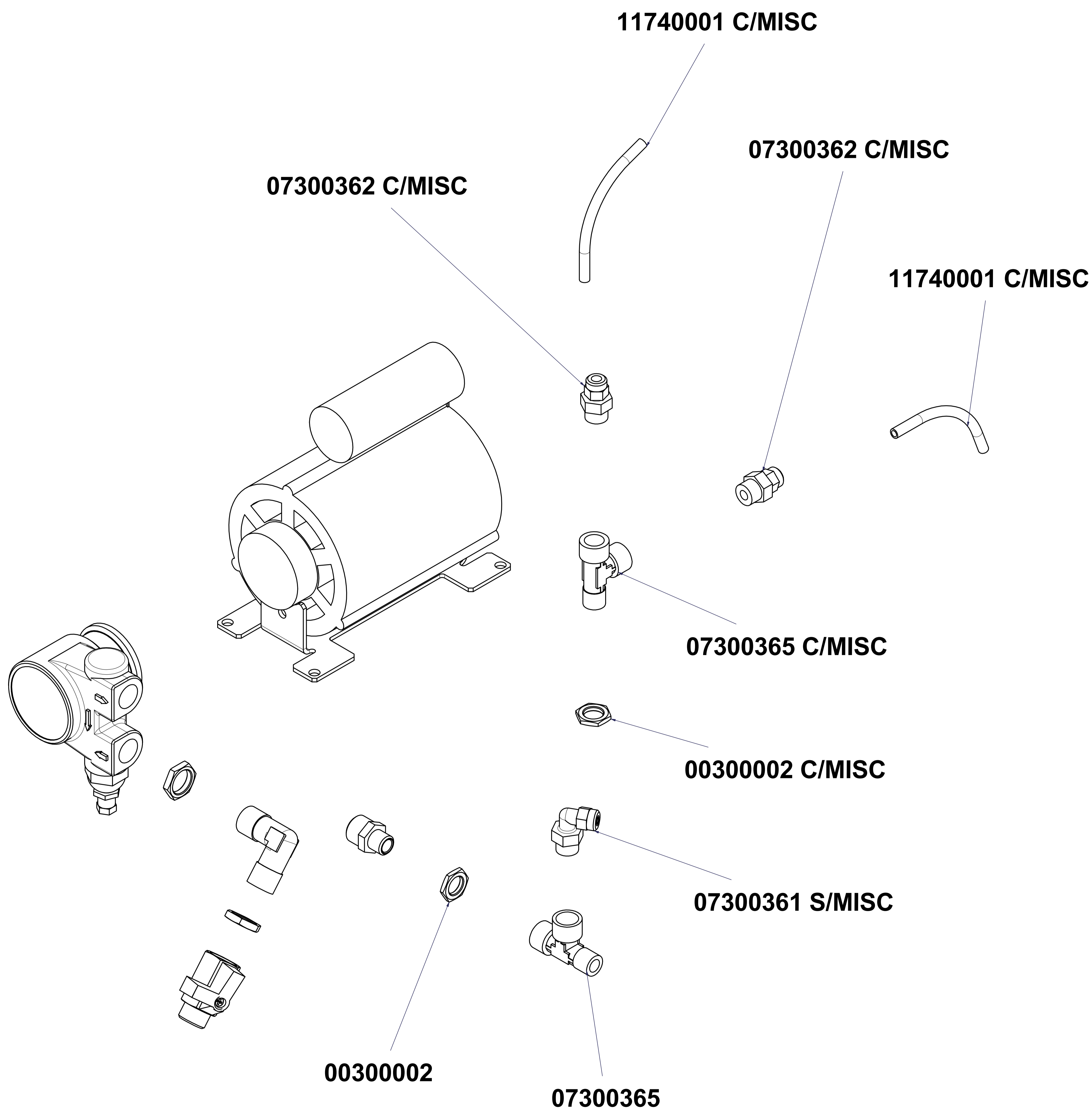
COMPONENTI IDRAULICI

HYDRAULIC PARTS

APP IIA II COMPACT



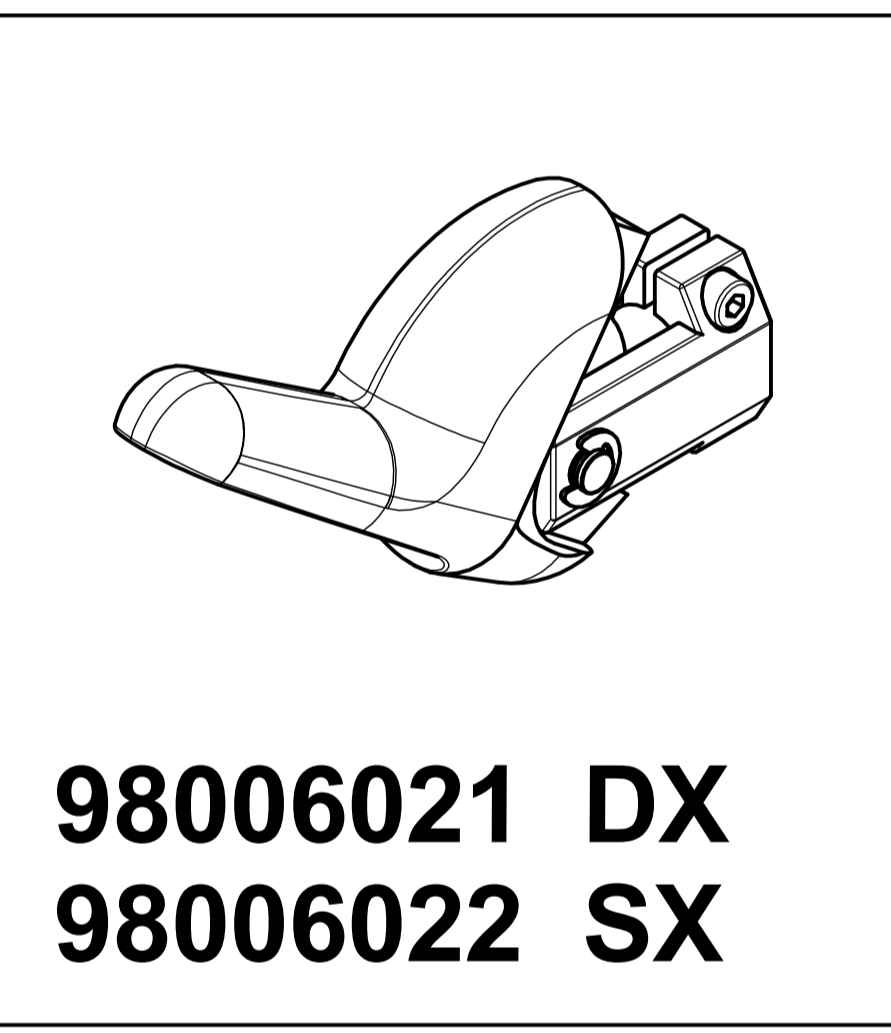
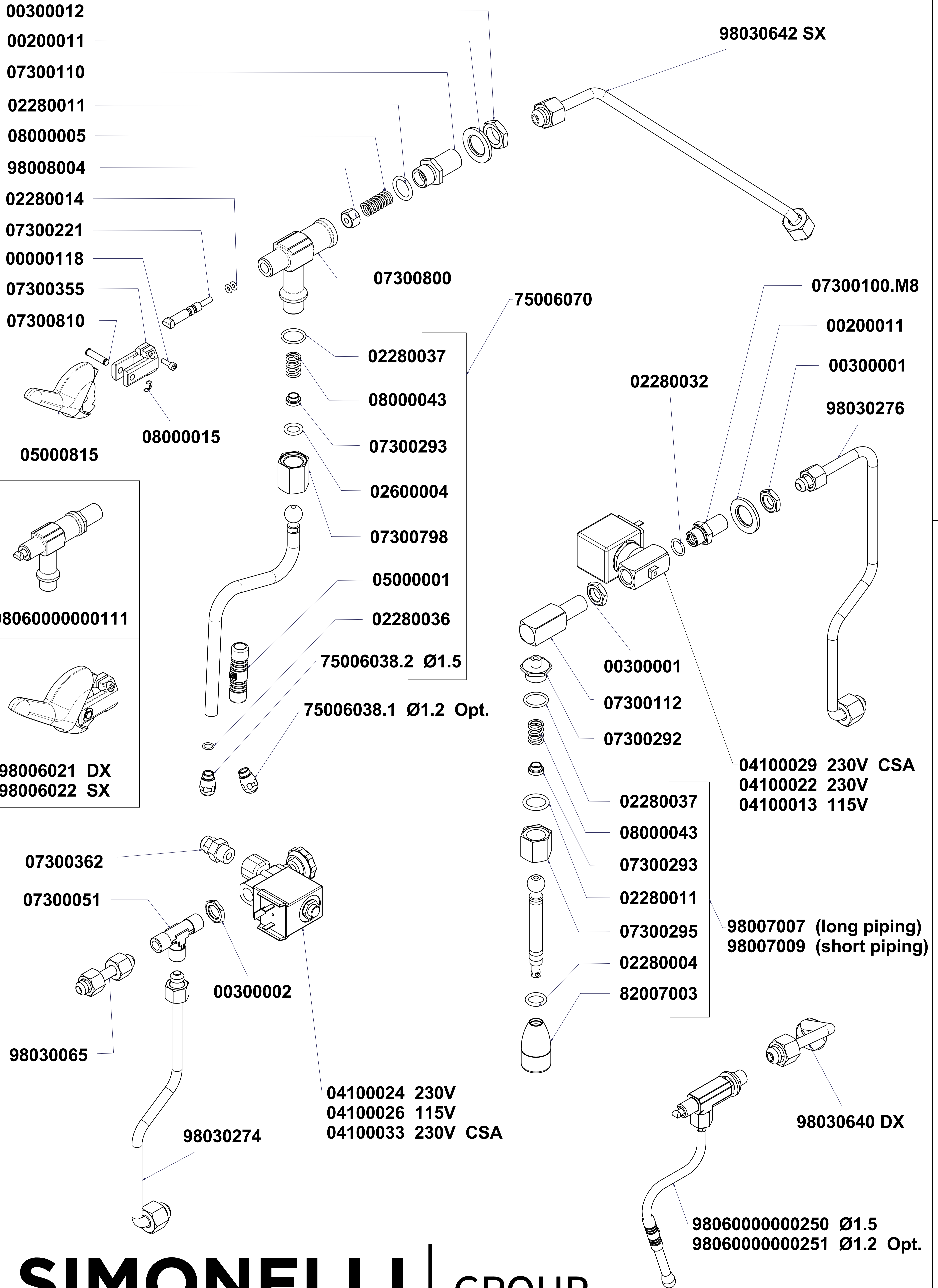
| Componenti idraulici | | |
|----------------------|----------------------|-----------------------|
| Codice | Descrizione | Description |
| 01000113 | Tubo ingresso L=1500 | Filling tube |
| 01000127 | Tubo scarico | Draining tube |
| 00000133 | Fascetta | Stanless still girdle |



COMPONENTI RUBINETTI VAPORE E ACQUA CALDA

STEAM & HOT WATER VALVES PARTS

A P P I A II C O M P A C T



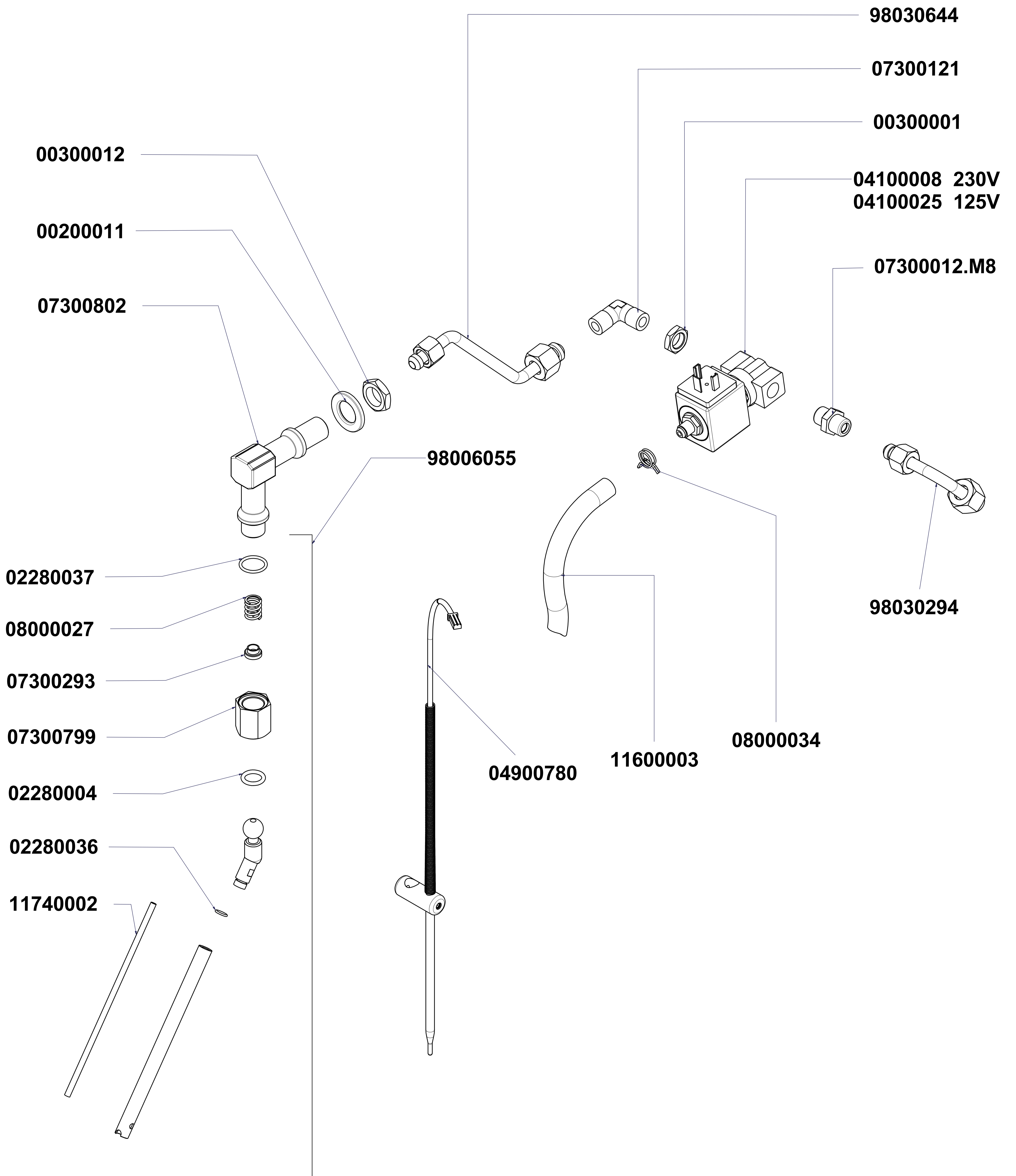
COMPONENTI AUTOSTEAM

AUTOSTEAM PARTS

A
P
P
I
A

I
I

C
O
M
P
A
C
T



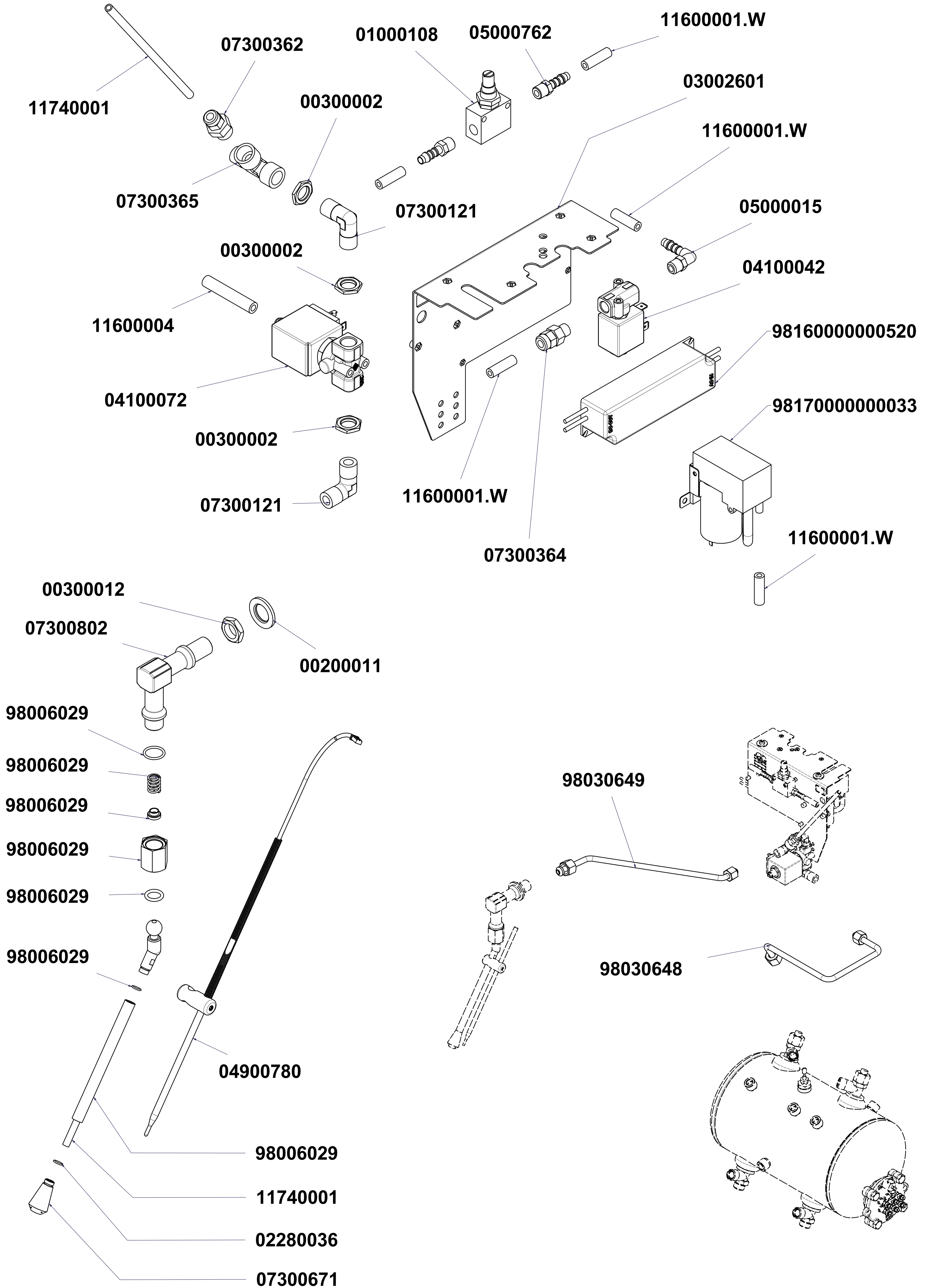
COMPONENTI EASY CREAM

EASY CREAM PARTS

A
P
P
I
A

I

C
O
M
P
A
C
T

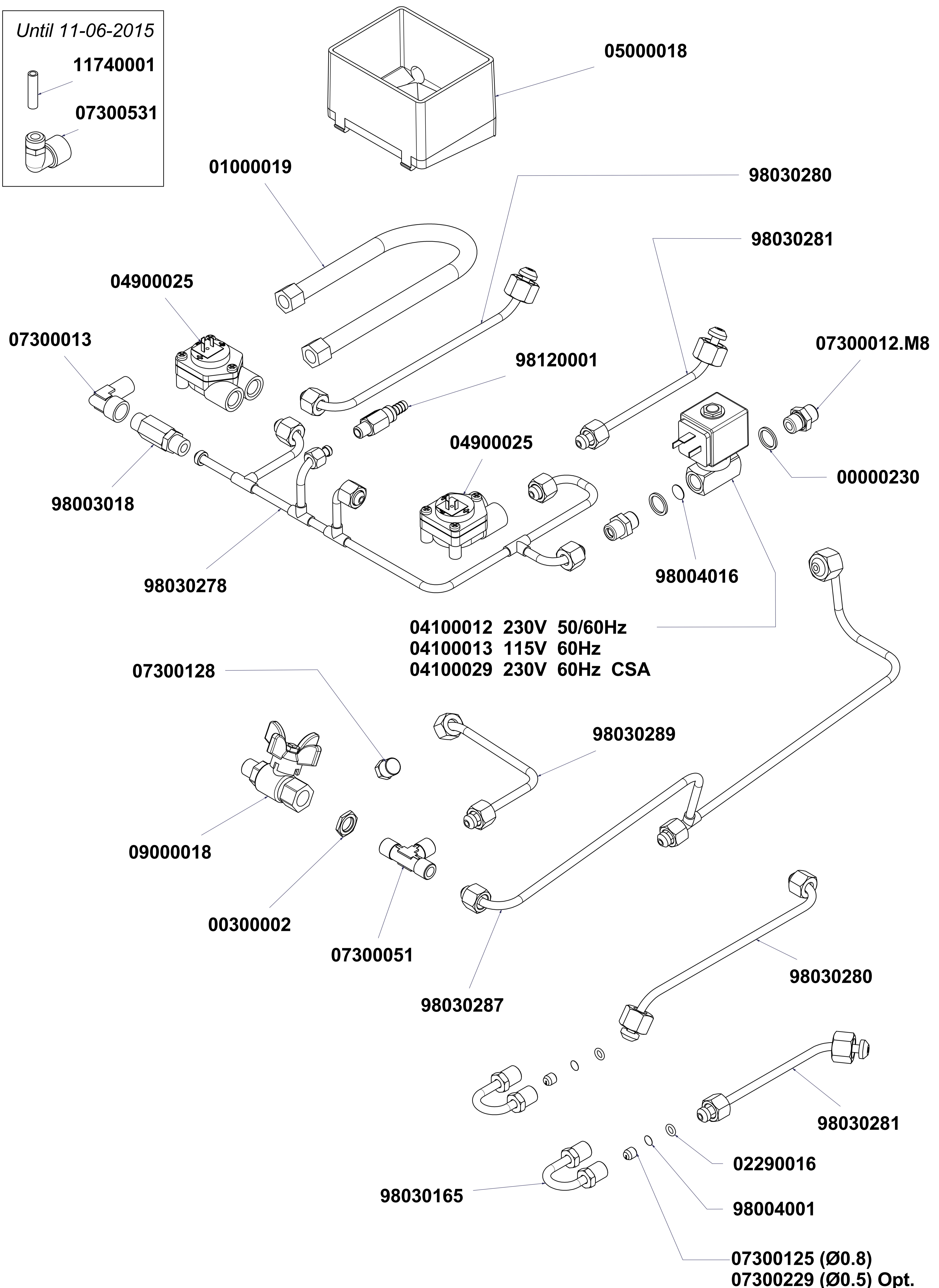


COMPONENTI GRUPPO IDRAULICO

HYDRAULIC GROUP PARTS

A P P I A II C O M P A C T

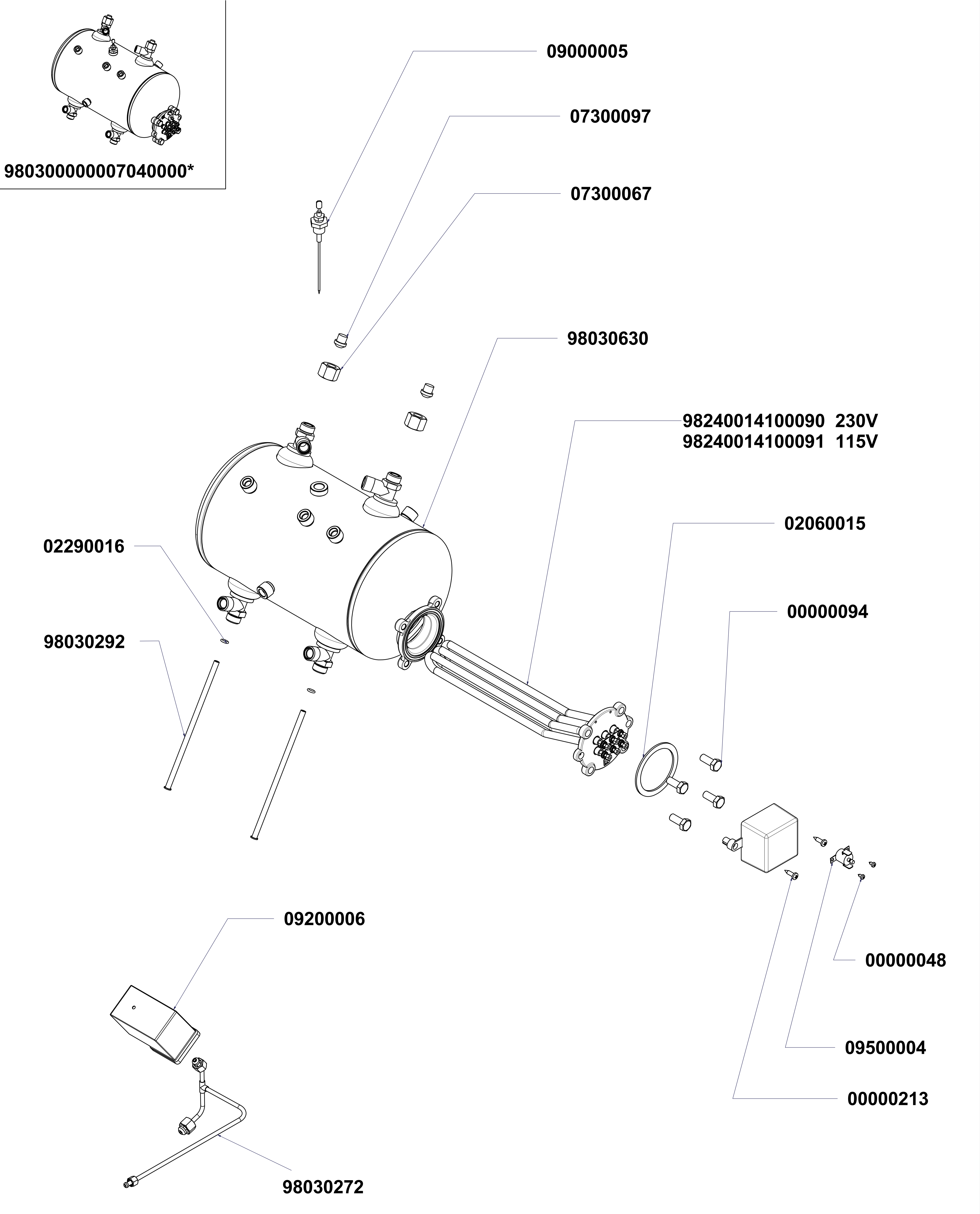
Until 11-06-2015
 11740001
 07300531



COMPONENTI GRUPPO CALDAIA

BOILER PARTS

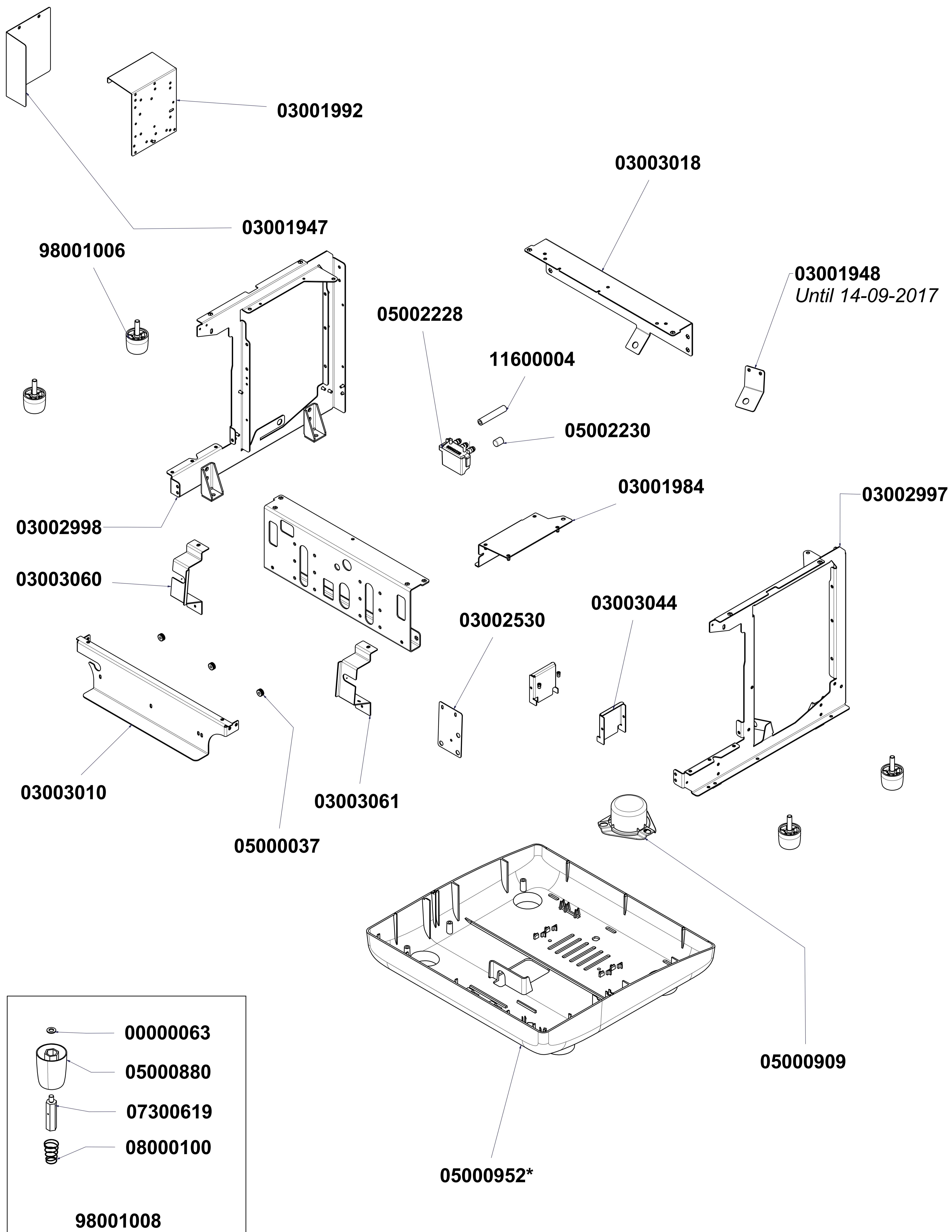
A
P
P
I
A
I
I
C
O
M
P
A
C
T



COMPONENTI TELAIO

FRAME PARTS

A P P I A II C O M P A C T

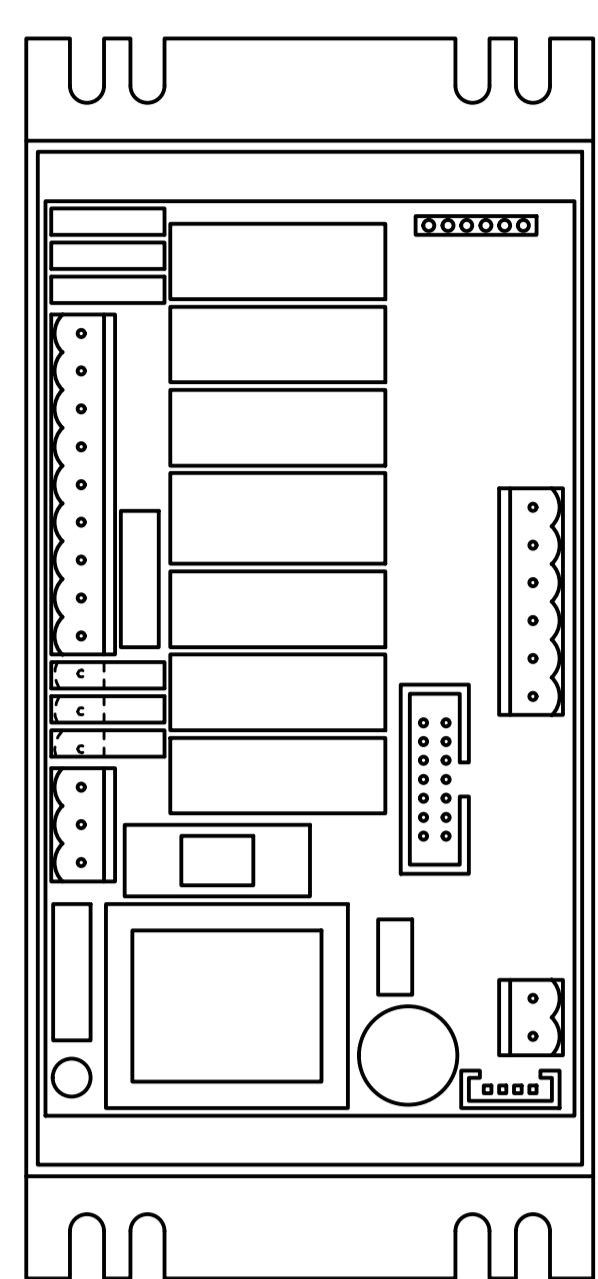


COMPONENTI ELETTRICI ED ELETTRONICI

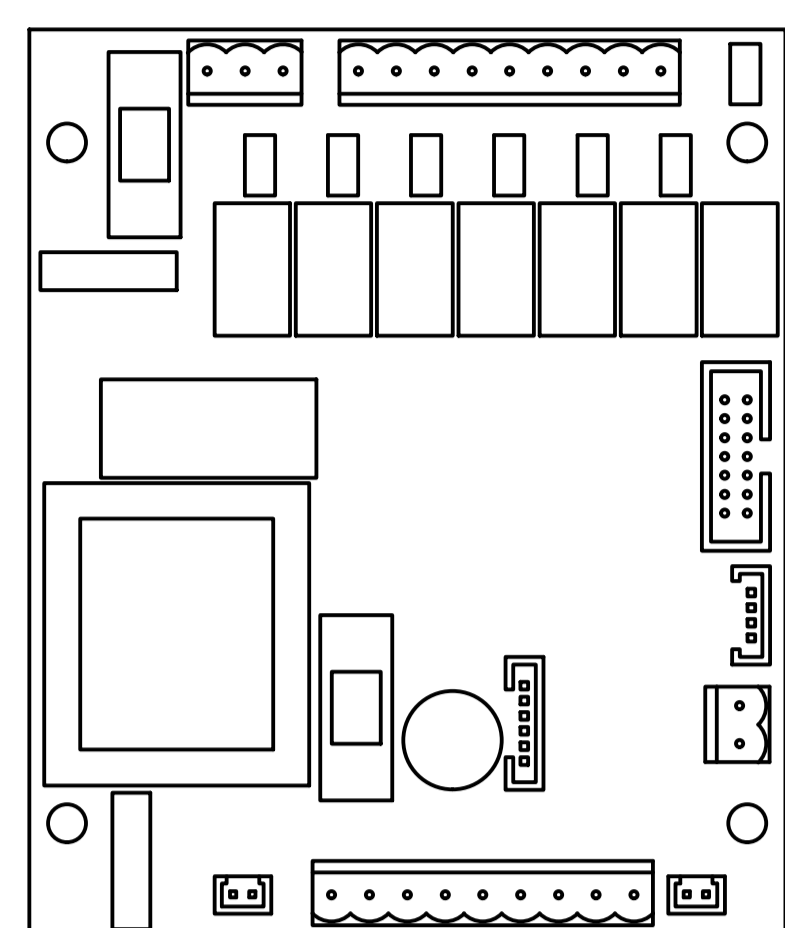
ELECTRONIC & ELECTRIC PARTS

APPRIA II COMPACT

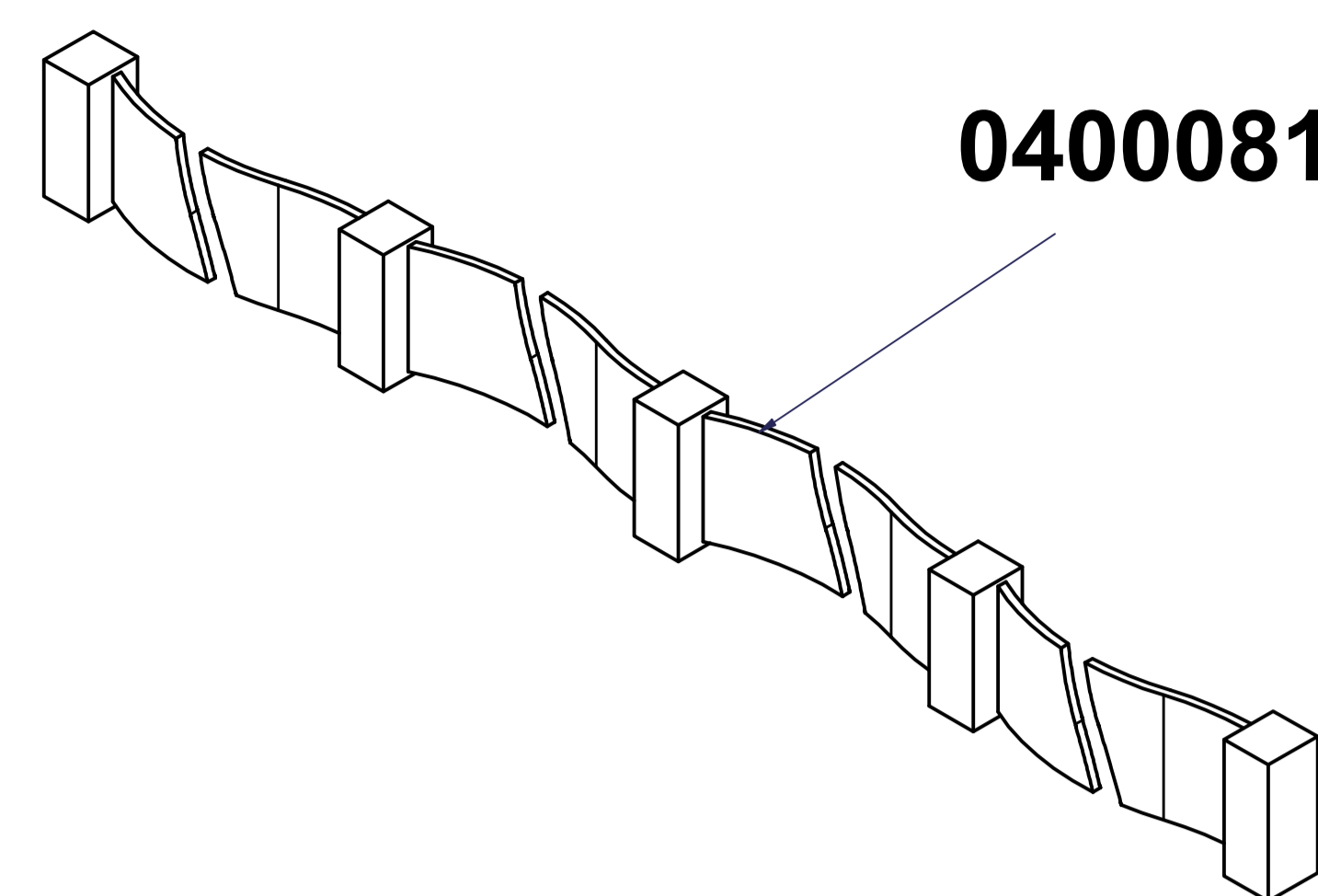
VOL.



04900740 230V
04900741 115V

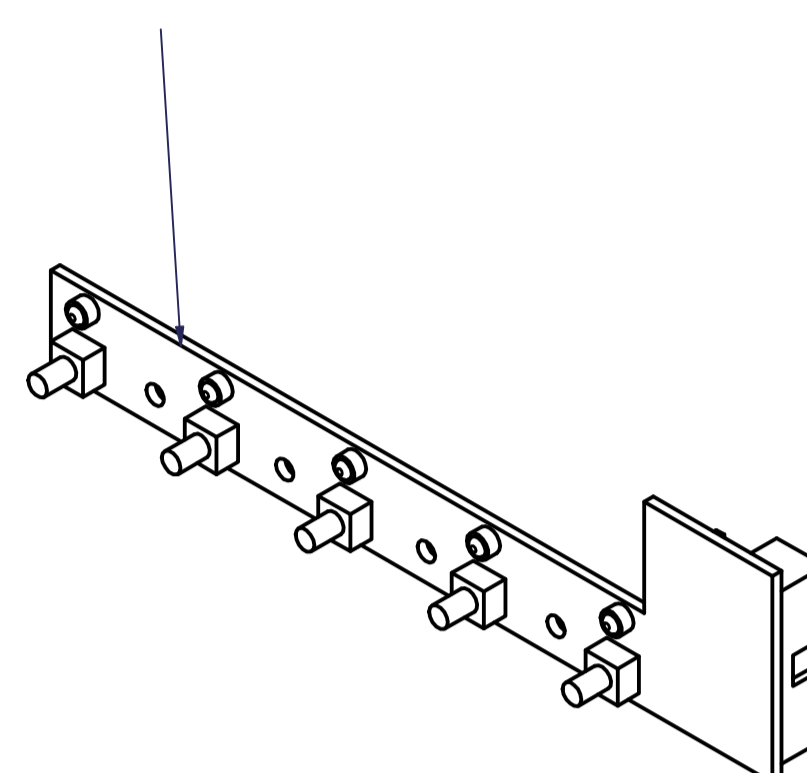


04900726.U

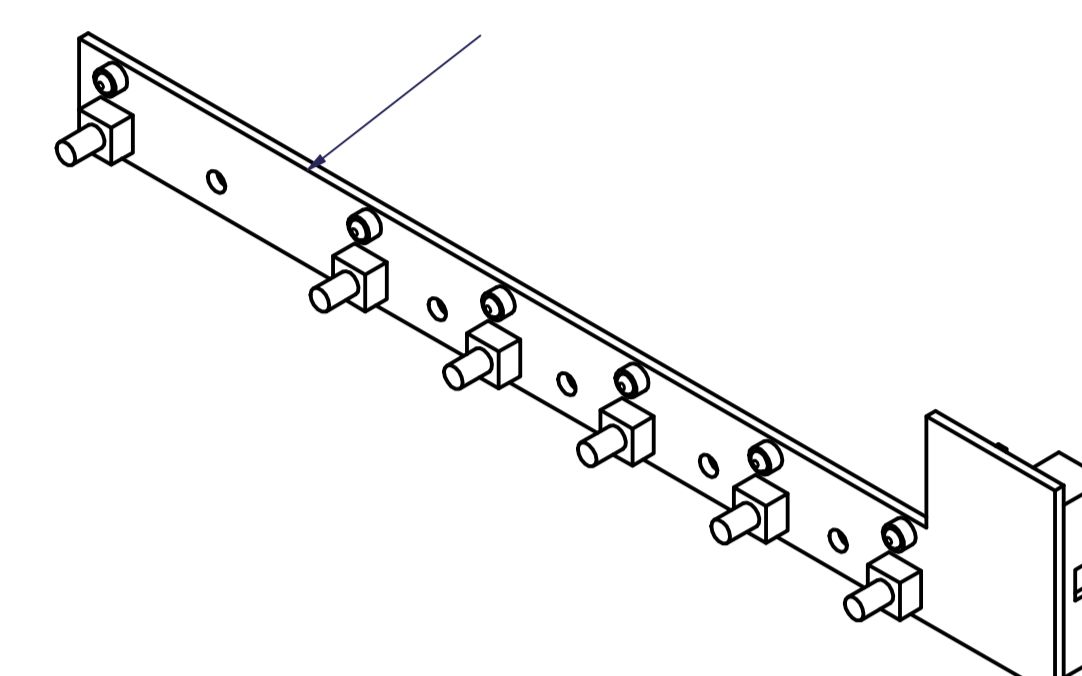


04000813

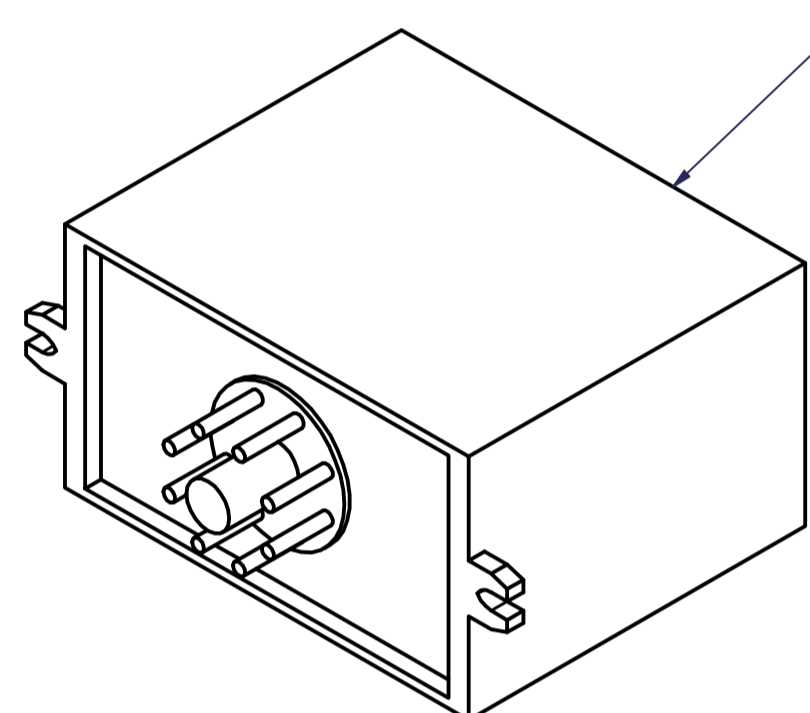
04900742



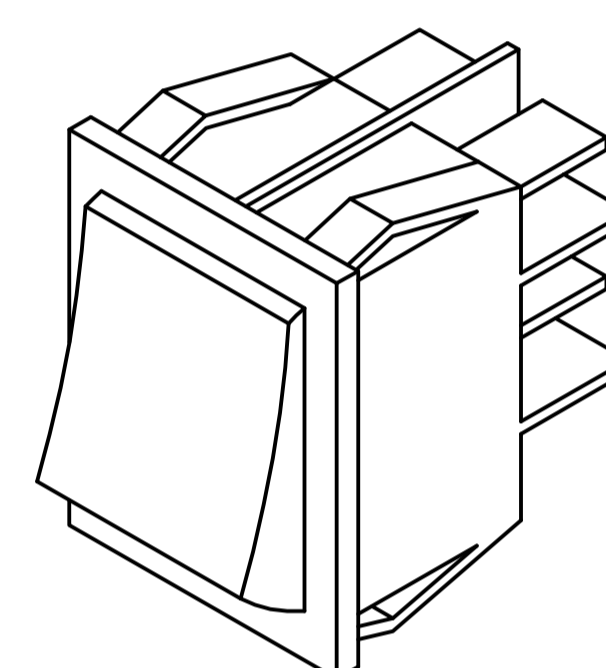
04900744



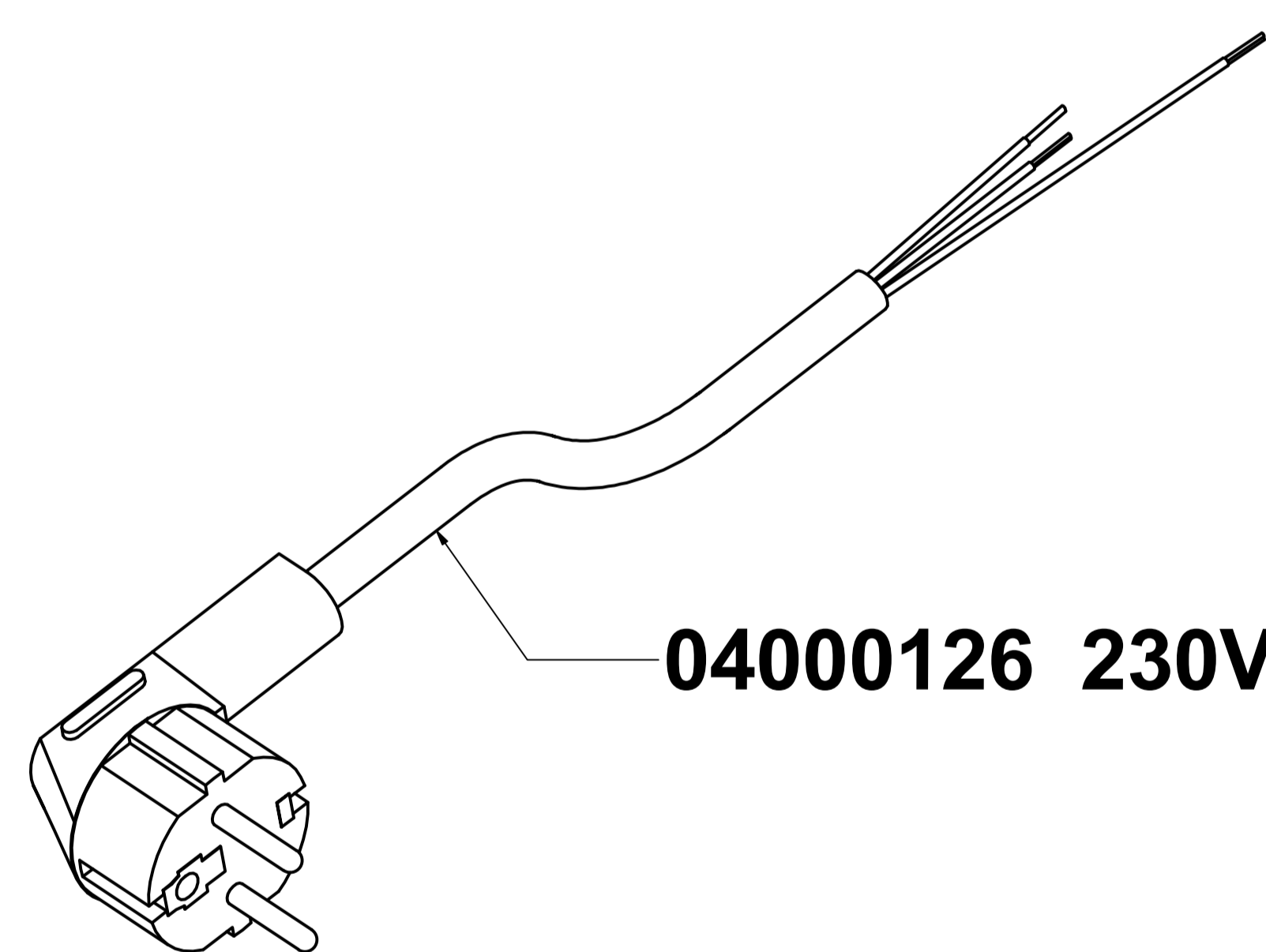
SEM.



09000004.UL 115V
09000015 230V
09000015.UL 230V CSA



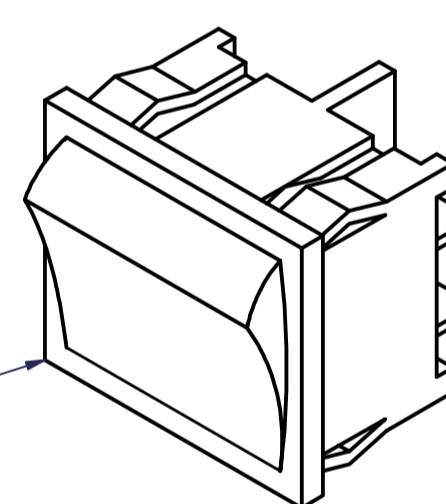
04200011



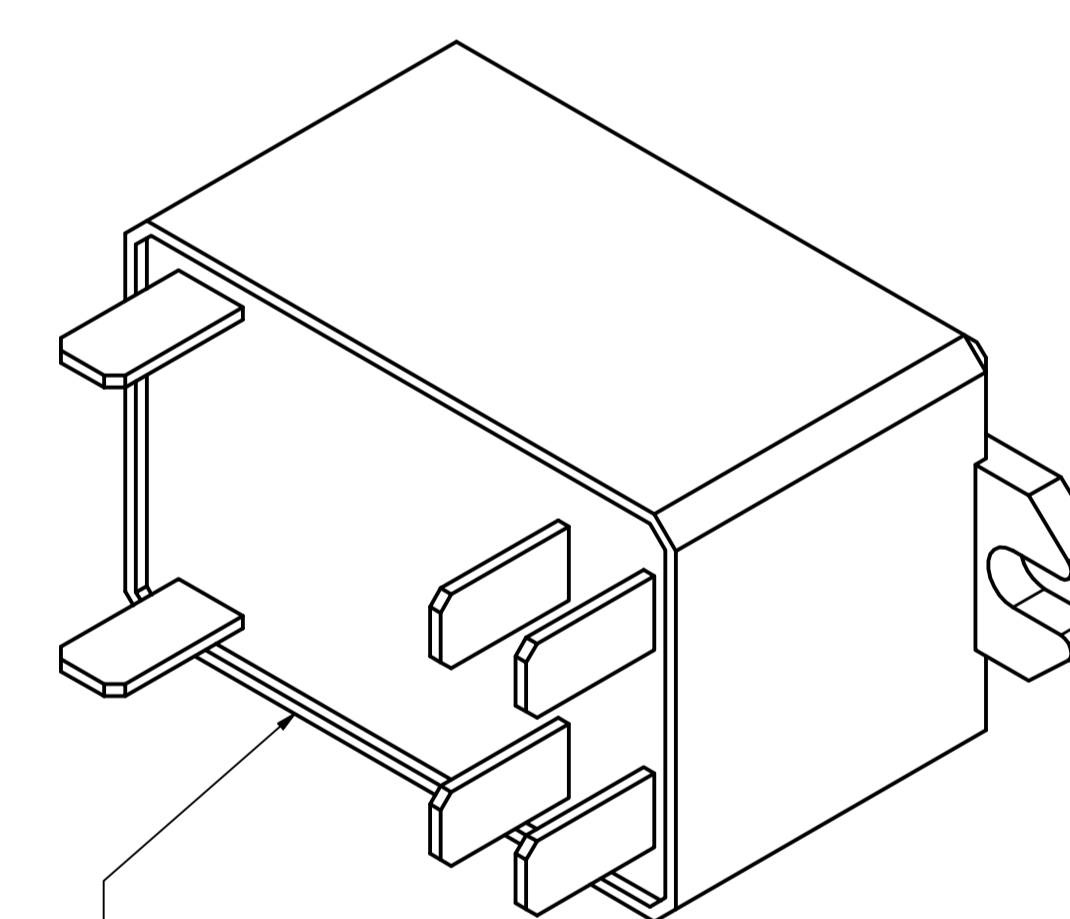
04000126 230V



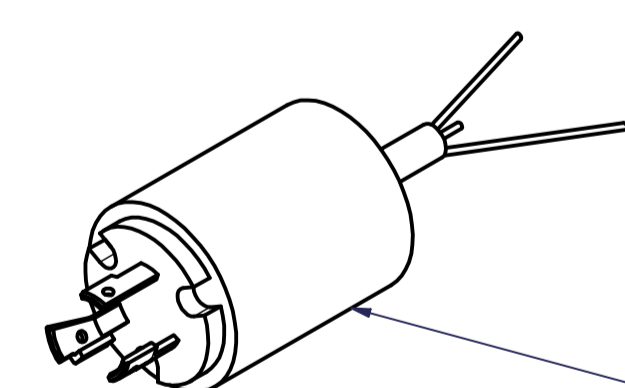
04000049



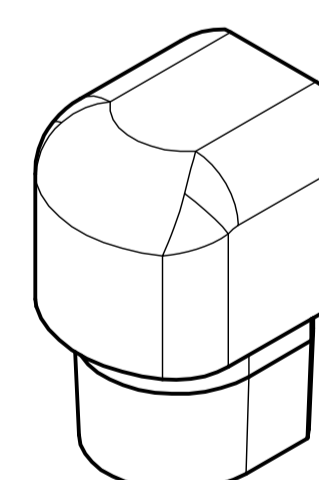
04200057



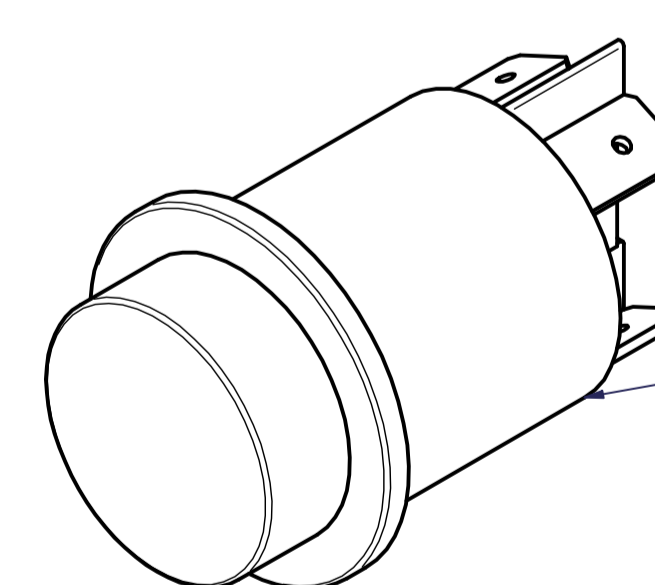
04200007 230V
04200009 115V



04060015 115V CSA
04000023 230V CSA



05000083



04200039

| Componeneti elettrici | |
|-----------------------|---|
| COD | Descrizione |
| 04000368 | Supplemento 1 GR Aurelia |
| 04000395 | Ponticello colleg. resistenze scaldatazze potenz. |
| 04000806 | Impianto scaldatazze 2-3GR Appia |
| 04000816 | Cablaggio alim. scaldatazze Appia II Compact |
| 04000819 | Cablaggio volumetrica |
| 04000818 | Cablaggio semiautomatica |

PARTI DI RICAMBIO

MAINTENANCE PARTS

A
P
P
I
A

I

C
O
M
P
A
C
T

9826000000052 2GR

KIT MANUTENZIONE ANNUALE APPIA II 2GR
1 YEAR MAINTENANCE KIT APPIA II 2GR

KRIC0002

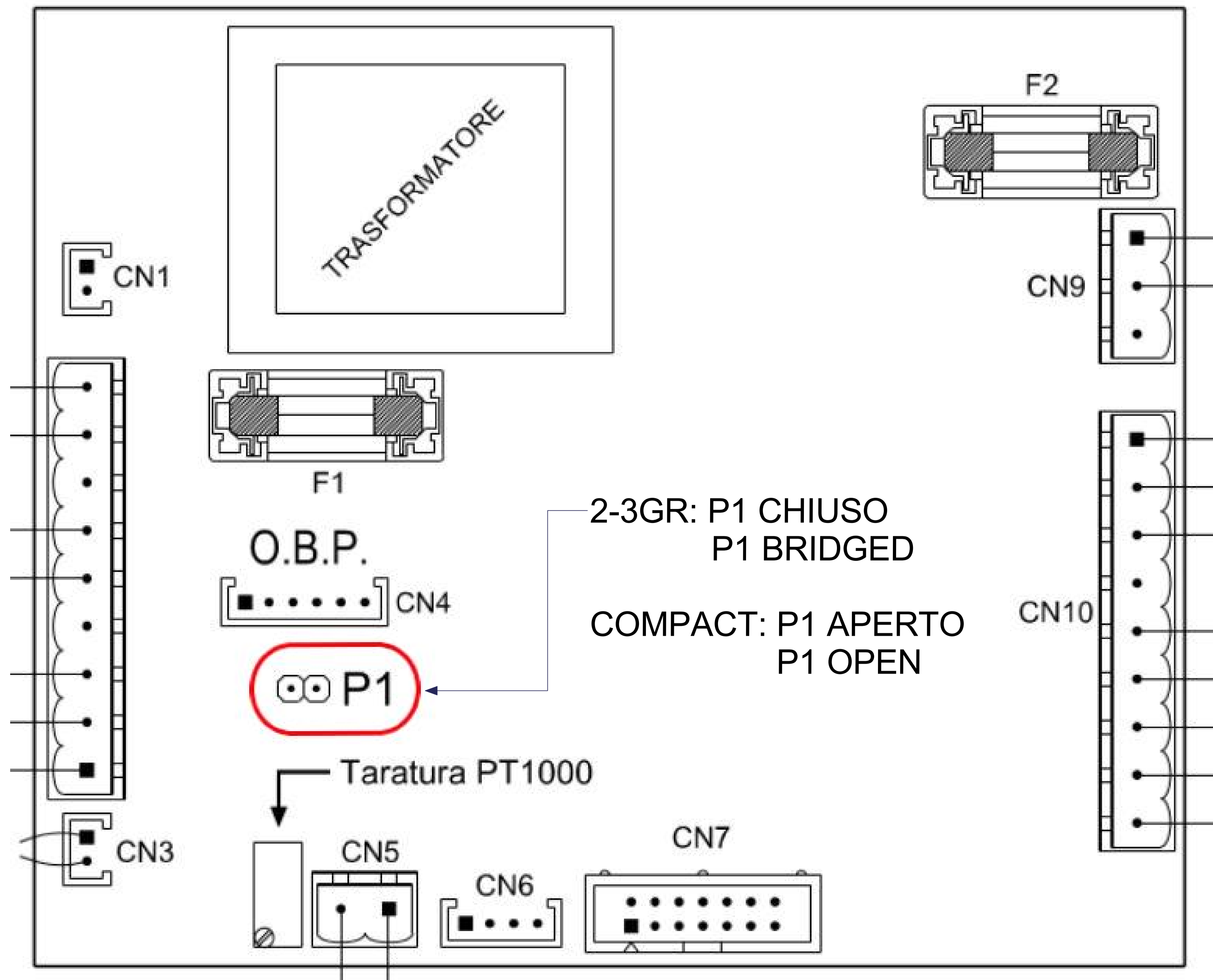
KIT GUARNIZIONE SOTTOCOPPA LONG LIFE 6pz.
LONG LIFE GROUP GASKET KIT 6pcs.

KSE20006

SCALDATAZZE ELETTRICO APPIA II COMPACT
CUPWARMER APPIA II COMPACT

04900726.U

CENTRALINA ELETTRICA 2-3GR E COMPACT 230V APPIA II UNIVERSALE
2-3GR & COMPACT 230V APPIA II UNIVERSAL CONTROL UNIT



| CODICE | DESCRIZIONE | DESCRIPTION | END VALIDITY |
|------------|--|---|--------------|
| 00000048 | VITE AUTOF 2,9x4,5 TC/T.CR. *KB* | SELF-THREADING SCREW 2.9x4.5 TC/T.CR. | |
| 00000063 | RONDELLA AQ D 10x21x2 ZN *KB* | WASHER AQ D 10X21X2 ZN | |
| 00000094 | VITE INOX M8x20 TE 5739 *KB* | STAINLESS STEEL HEX CAP SCREW M8x20 | |
| 00000118 | VITE INOX M4x12 TCEI 5931 *KB* | SS HEX SOCKET CAP SCREW M4x12 | |
| 00000133 | FASCETTA INOX WD12 16-25 C7 W2 *KB* | STAINLESS STEEL GIRDLE WD12 16-25 C7 W2 | |
| 00000186 | PRIGIONIERO M4x55 1xTC | CLOSURE STUD M4X55 | |
| 00000197 | VITE INOX M6x8 TCEI ISO 4762 *KB* | STAINLESS HEX SOCKET CAP SCREW M6x8 | |
| 00000213 | VITE AUTOF 4,2x16 TC T.CR. ZIN *KB* | SCREW AUTO 4,2x16 TC T.CR. ZIN | |
| 00000217 | VITE INOX M6x20 TE *KB* | STAINLESS STEEL HEX CAP SCREW M6x20 | |
| 00000221 | RONDELLA INOX D6 CONICA *KB* | STAINLESS STEEL WASHER D6 | |
| 00000230 | RONDELLA GUARNIZIONE RAME RICOTTO 14x18x1.5 | ANNEALED COPPER GASKET WASHER 14x18x1.5 | |
| 00200011 | RONDELLA AQ M16 17X30X3 ZINC *KB* | GALVANISED WASHER M16 17x30x3 | |
| 00300001 | DADO OT 1/4 GAS SPESS.5 CH18 *AGG. 22.07.96 | BRASS NUT 1/4 GAS SPESSOR 5 | |
| 00300002 | DADO OT 1/4 SPESS.3 CH18 AGG. 22.07.96 | BRASS NUT 1/4 SPESSOR 3 | |
| 00300005 | DADO OT 1/8 GAS AGG.22.07.96 SPESS.4 CH13 | BRASS NUT 1/8 GAS SPESSOR 4 | |
| 00300012 | DADO OT 3/8 GAS CH22 SPESS.6 AGG. 22.07.96 | BRASS NUT 3/8 GAS SPESSOR 6 HEX 22 | |
| 00300013 | DADO OT 3/8 GAS SPESS.4 CH20 AGG.22.07.96 | BRASS NUT 3/8 GAS SPESSOR 4 | |
| 00300021 | VITE INOX M6x18 TSP TC DIN963 *KB* | SS SLOTTED COUNTERSUNK SCREW M6X18 DIN963 | |
| 01000023 | VALVOLINA SFIATO | ANTI VACUUM VALVE | |
| 01000072 | ANTIVIBRANTE AD 10x10 M4 MM | ANTI-VIBRATING AD 10X10 M4 MM | |
| 01000108 | REGOLATORE ARIA 1-8 | AIR REGULATOR 1-8 | |
| 01000127 | TUBO SCARICO | DRAINING PIPE | |
| 01000113 | TUBO FLESS INOX 3/8 A 90° F. - 3/8 F. L=1500 | SS FLEXIBLE TUBE 3/8 90° BENDED 3/8 F-F L1500 | |
| 01000240 | PROTEZ. SCHEDA EROG. GRUPPO 1 APPIA COMPACT V | EROGATION BOARD PROTECTION GROUP 1 APPIA COMPACT V | |
| 01000241 | PROTEZ. SCHEDA EROG. GRUPPO 2+ ACQUA APPIA COMPACT V | EROGATION BOARD PROTECTION GROUP 2 + WATER APPIA COMPACT V | |
| 01300004 | POMPANTE VOLUMETRICO 50 lt/h OT-57 | VOLUMETRIC PUMP 50 lt/h | |
| 02060015 | GUARNIZIONE PTFE 067x054x2 | GASKET FOR HEATING ELEMENT 067x054x2 | |
| 02280004 | GUARN. OR 115 D.17 EP856 SNODO LANCIA | GASKET OR 115 D17 EP | |
| 02280011 | GUARN. OR R11 D19 EP 851 *KB* | GASKET O RING R11 D19 EP 851 | |
| 02280014 | GUARN. OR D7 AN2/OR102 SILICON 7XL1715 *KB* | GASKET O RING D.7 AN2/OR102 SILICON | |
| 02280020.V | GUARNIZ. SOTTOCOPPA CONICA h8,2 V - NBR 82/84 Sha | GROUP GASKET CONICAL | |
| 02280032 | GUARN. OR 114 D.15 EP 851 *KB* | GASKET O RING 114 D.15 EP 851 | |
| 02280036 | GUARN. OR x BECCO LANCIA VAP. DI 6x1.2 | GASKET OR x STEAM WA | |
| 02280037 | GUARN. OR CHIUSURA SNODO 16x2 | GASKET OR JOINT LOCK | |
| 02290016 | GUARN. OR D 9,5 R5 SILICONE R. *KB* | GASKET OR D 9,5 R5 SILICON RED | |
| 02600004 | GUARN. OR 15,2x10,2x2,5 TEFLONx SFERA LANCIA VAPORE | GASKET OR - 15.2 x 9 | |
| 02600004 | GUARN. OR 15,2x10,2x2,5 TEFLONx SFERA LANCIA VAPORE | O- RING 15,2x10,2x2,5 TEFLONx STEAM WAND SPHERE | |
| 03000066 | DOCCIA INOX 56x5,5x 6 SALDATA Aisi304 | SHOWER INOX 056X05,5 | |
| 03000072 | FILTRO 1 CAFFE' ALTO 7 gr. | FILTER ONE COFFEE HIGH REPLACE 03000321 | |
| 03000073 | FILTRO 2 CAFFE' ALTO 14 gr. | FILTER TWO COFFEE HIGH REPLACE 03000322 | |
| 03000107 | FILTRO CIECO | BLIND FILTER | |
| 03000202 | VASCHETTA RACC.CONDENSE MASTER AGG. 07.06.97 | CONDENSATION TRAY MASTER | |
| 03001769 | SUPP. TAZZINE INOX | AURELIA RAISED CUP STAND | |
| 03001947 | LAMIERA CHIUSURA SUPPORTO CENTRALINA APPIA | SWITCHBOARD LOCK SUPPORT PLATE APPIA | |
| 03001984 | SUPPORTO POMPA APPIA COMPACT | PUMP SUPPORT APPIA COMPACT | |
| 03001986 | CHIUSURA SICUREZZA 2 GRUPPI APPIA COMPACT | SAFETY LOCK 2 GROUPS APPIA COMPACT | |
| 03001988 | PIATTO RACCOGLIACQUA APPIA COMPACT | DRIP TRAY APPIA COMPACT | |
| 03001989 | RETINA PIANO LAVORO 2 GR.APPIA COMPACT | WORKTOP NET 2 GR.APPIA COMPACT | |
| 03001992 | SUPPORTO CENTRALINA APPIA C. | SWITCHBOARD SUPPORT APPIA C. | |
| 03002530 | STAFFA SUP. MANOM. AURELIA II | GAUGE SUPPORT AURELIA II | |
| 03002532 | PIASTRINA TERMOSTATO PER SCALDATAZZE | CUPWARMER THERMOSTAT SUPPORT | |
| 03002601 | LAMIERINO COMPRESSORE AURELIA II | AURELIA II COMPRESSOR PLATE | |
| 03002997 | FIANCO DX STAMPATO TELAIO APPIA II 1-2-COMPACT | RIGHT SIDE PRESSED FRAME APPIA II 1-2-COMPACT | |
| 03002998 | FIANCO SX STAMPATO TELAIO APPIA II 1-2-COMPACT | LEFT SIDE PRESSED FRAME APPIA II 1-2-COMPACT | |
| 03003005 | INVOLUCRO COMANDI 2GR APPIA II COMPACT | COMMANDS COVER 2 GR. APPIA II COMPACT | |
| 03003010 | LAMIERA SUPP.INVOLUCRO COMANDI 2GR. APPIA II COMPACT | COMMAND COVER SUPPORT PLATE 2 GR. APPIA II COMPACT | |
| 03003014 | PARETE PORTAGRUPPI APPIA II COMPACT | GROUP HOLDER PANEL APPIA II COMPACT | |
| 03003018 | LAMIERA L SUP. POSTERIORE 2GR. APPIA II COMPACT | L SHAPED SUPPORT 2GR. APPIA II COMPACT | |
| 03003020 | SUPP. RUB. VAPORE SX APPIA II | LEFT STEAM WAND SUPPORT APPIA II | |
| 03003021 | SUPP. RUB. VAPORE DX APPIA II | RIGHT STEAM WAND SUPPORT APPIA II | |
| 03003034 | CARENA RETRO APPIA II COMPACT | REAR COVER APPIA II COMPACT | |
| 03003042 | PIATTO PORTATAZZE 2GR APPIA II COMPACT | CUP WARMER PLATE 2 GR. APPIA COMPACT | |
| 03003044 | LAMIERA SUPPORTO CALDAIA APPIA 2GR/APPIA II 2GR-COMPACT | BOILER SUPPORT APPIA 2GR/APPIA II 2 GR. COMPACT | |
| 03003047 | MOSTRINA SUP. CON PIEGA FIANCO DX APPIA II | BENDED TOP RIGHT STEEL PLATE APPIA II | |
| 03003049 | MOSTRINA SUP. CON PIEGA FIANCO SX APPIA II | BENDED TOP LEFT STEEL PLATE APPIA II | |
| 04000010 | CONDENS. 6microF x 04500033 UL | CAPACITOR 6 MICRO F | |
| 04000011 | CONDENS.25 microF UL 04500036 04500037 | CAPACITOR 25 microF UL 04500036 04500037 | |
| 04000023 | CAVO ALIMENTAZ. UL AWG3x16 SJO SPINA USA DIRITTA 15A | SUPPLY CABLE UL AWG3X16 USA PLUG SHEATH 90°C | |
| 04000049 | LAMPADA SPIA D10 230V UL + FASTON M 6,3 | LAMP D10 230V UL | |
| 04000126 | CAVO ELETTR. 2mt CE SPINA SCHUKO 90° 3x1,5 H05VV-F | ELECTRIC CABLE 2MT CE SCHUKO PLUG 90° 3X1,5 | |
| 04000368 | SUPPLEMENTO 4ø GRUPPO AURELIA | SUPPLEMENTARY WIRING SYSTEM AURELIA 4° GROUP | |
| 04000395 | PONTICELLO COLLEG. RESISTENZE SCALDATAZZE POTENZIATO | CUPWARMER HEATING ELEMENTS CONNECTION BEIDGE | |
| 04000806 | IMPIANTO SCALDATAZZE 2-3GR APPIA | 2-3GR CUPWARMER WIRING | |
| 04000813 | CAVO 14 VIE COLLEGAMENTO PULSANTI 3GR APPIA | 14 WAYS BUTTONS CONNECTION WIRING | |
| 04000816 | CABLAGGIO ALIMENTAZIONE SCALDATAZZE APPIA II COMPACT | APPIA II COMPACT CUPWARMER WIRING | |
| 04000818 | CABLAGGIO 2GR SEM APPIA II COMPACT | WIRING APPIA II COMPACT 2 GR. SEM | |
| 04000819 | CABLAGGIO 2GR VOL APPIA II COMPACT | WIRING APPIA II COMPACT 2 GR. VOL | |
| 04060015 | CAVO ALIM. AWG3x14 SJOOW 90°C UL/CSA 2mt SPINA USA DRITTA 20A 24 | POWER CABLE AWG3x14 + PLUG 20A | |
| 04100005 | E.V. NC 2VIE 1/4-1/4 220-230V 50/60Hz EPDM F2 CE PIEDINO FIL. 1xM4 | NC 2-WAY SOLENOID 1/4-1/4 | |
| 04100008 | E.V. NC 3VIE 1/4-1/4 SCAR. 1/8 220V 50Hz-240V 60Hz RUBY F3 UL PIEDINO FIL. | NC 3-WAY SOLENOID 1/4-1/4 1/8 OUTLET | |
| 04100012 | E.V. NC 2VIE 1/4-1/4 220-230V 50/60Hz VITON F1.5 CE PIEDINO FIL. 1xM4 | EV 2W 1/4 1/4 220-230V 50/60Hz VITON F1,5 CE | |
| 04100013 | E.V. NC 2VIE 1/4-1/4 110-120V 60Hz VITON F1.5 UL PIEDINO FIL. 1xM4 | ELECTROVALVE 2 WAYS 110V | |
| 04100017 | E.V. NC 3VIE Basetta SCAR. 1/8 220-230V 50/60Hz RUBY F1,5 CE | EV 3W DOWNL 1/8 220-230V 50/60Hz RUBY F1,5 CE | |
| 04100018 | E.V. NC 3VIE Basetta SCAR. 1/8 110-120V 60Hz RUBY F1.6 UL | ELECTROVALVE 3 WAYS 110 UL | |
| 04100022 | E.V. NC 2VIE 1/4-1/4 220-230V 50/60Hz RUBINO F3 CE PIEDINO FIL. 1xM4 | 2 WAYS SOLENOID 1/4 F.3 220/230V 50/60Hz | |
| 04100024 | E.V. NC 2VIE 1/4 REGOLAT. 90° 230V 50/60Hz F.3 + MANOP. EPDM CE | 2 WAYS EV WITH REGULATOR | |
| 04100025 | E.V. NC 3VIE 1/4-1/4 SCAR. 1/8 110-120V 50/60Hz RUBY F3 UL PIEDINO FIL. | E.V. 3WAYS 1/4-1/4 1/8 110-120V 50/60Hz F3 UL | |
| 04100026 | E.V. NC 2VIE 1/4 REGOLAT. 90° 115V 60Hz EPDM F3 UL | E.V. NC 2WAYS 1/4 REG. 90° 115V 60Hz F3 UL | |
| 04100027 | E.V. NC 3VIE Basetta SCAR. 1/8 208-240V 60Hz RUBY F1,3 UL | EV 3W DRAIN 1/8 208-240V 60Hz RUBY D1,3 UL | |
| 04100029 | E.V. NC 2VIE 1/4-1/4 208-240V 60Hz VITON F1.5 UL PIEDINO FIL. 1xM4 | E.V. 2VIE AL 220/240 50/60 UL | |
| 04100033 | E.V. NC 2VIE 1/4 REGOLAT. 90° 220V 60Hz F3 UL CANOT. Aisi316 | EV 2 WAYS 1/4 REGULATING 90° 220V 60Hz D3 UL | |
| 04100042 | E.V. NC 2VIE 1/8 - 1/8 230V 50/60Hz | E.V. 2 WAYS 1/8 - 1/8 230V 50/60Hz | |
| 04100072 | E.V. NC 3VIE 1/4 - 1/4 SCARICO 1/8 208-240V 50-60Hz F5 INOX | E.V. 3 WAYS 1/4 - 1/4 DRAINAGE 1/8 208-240V 50-60Hz F5 INOX | |
| 04200007 | RELE' DI POTENZA 30A 230V BIPOLARE | POWER RELAY 30A 230 V BIPOLAR | |
| 04200009 | RELE' DI POTENZA 30A 115 V BIPOLARE | POWER RELAY 30A 115 V BIPOLAR | |

APPIA II COMPACT

| CODICE | DESCRIZIONE | DESCRIPTION | END VALIDITY |
|--------------|---|--|--------------|
| 04200011 | INTERRUTTORE BIPOLARE LUMINOSO ROSSO RETTANGOLARE UL 16A | BIPOLAR SWITCHING LIGHTED RED 0/1 RECTANGULAR UL 16A | |
| 04200039 | INTERRUTTORE LUMINOSO D25 | LIGHT SWITCH D25 | |
| 04200057 | INTERRUT. ACCENSIONE BIPOL. GRANDE 10A UL 22x19 "AURELIA" | ON/OFF SWITCH 10A UL 22x19 | |
| 04200110 | INTERRUTTORE BIPOLARE LUMINOSO BIANCO RETTANGOLARE UL 16A | WHITE LIGHTED BIPOLAR SWITCH UL 16A WITHOUT PRINTED IMAGES | |
| 04500033 | MOTORE EL. MASTER/PREMIER 2001 230V 50/60Hz 120W | PUMP MOTOR 230V 50/60Hz | |
| 04500037 | MOTORE ELETTRICO 115V 50/60Hz APPIA 1GR. 100W | ELECTRIC MOTOR 115V | |
| 04900025 | DOSATORE VOLUMETRICO OTT. 1/4GAS FORO 1,2 "NSF" TESTA IN PLASTICO | FLOWMETER | |
| 04900726.U | CENTRALINA UNIVERSALE APPIA II 2-3GR E COMPACT | UNIVERSAL CONTROL UNIT APPIA II 2-3GR & COMPACT | |
| 04900740 | CENTRALINA ELETTR. 2 GR. APPIA COMPACT 230V | CONTROL BOARD APPIA COMPACT 230 V 2 GR. | |
| 04900741 | CENTRALINA ELETTR. 2 GR. APPIA COMPACT 115V | ELECTR. SWITCHBOARD 2 GR. APPIA COMPACT 115V | |
| 04900742 | SCHEDE EROG. GRUPPO 1 APPIA COMPACT | BREWING GROUP 1 CARD | |
| 04900744 | SCHEDE EROG. GRUPPO 2 +ACQUA CALDA APPIA COMPACT | BREWING GROUP 2 CARD + HOT WATER APPIA COMP. | |
| 04900780 | SONDA PT1000 x LANCIA VAPORE "TURBO CREAM" D06 + SUPPORTO AD | PROBE PT1000 X STEAM WAND "TURBO CREAM" D06 | |
| 05000001 | GOMMINO PROTEZIONE LANCIA D.10 | STEAM ARM RUBBER GRI | |
| 05000015 | RACCORDO PORTATUBO WES 6R 1/8 | PIPE CONNECTOR WES 6R 1/8 | |
| 05000018 | VASCHETTA SCARICO AURELIA | DRAIN BOX | |
| 05000037 | GHIERA FILETTATA PER PANNELLI M4 BIANCA | WHITE M4 THREADED RING | |
| 05000063 | COPRI VALVOLA SICUREZZA PA6 | SAFETY VALVE COVER | |
| 05000762 | RACCORDO PORTATUBO 1/8 | PIPE CONNECTOR 1/8 | |
| 05000815 | MANOPOLA VAPORE ABS "AURELIA" 2011 | STEAM LEVER HANDLE | |
| 05000840 | MANOPOLA PORTAFILTRO 2003 NERO | FILTER HOLDER KNOB 2003 BLACK | |
| 05000842 | CHIUSURA MANOPOLA PORTAFILTRO 2003 | FILTER HOLDER KNOB LOCK 2003 | |
| 05000844 | RIVESTIMENTO GOMMA NERA MANOPOLA PORTAFILTRO | BLACK RUBBER COVER FILTER HOLDER KNOB | |
| 05000880 | PROLUNGA PIEDE ALTO 2005 D.66 H=80 mm. | TALL FOOT EXTENSION D.66 H=80 MM. | |
| 05000909 | COPRI INTERRUTTORE CILINDRICO | ABS SWITCH PROTECTION 2GR. APPIA | |
| 05000952 | BASAMENTO 2 GR. APPIA COMPACT NERO | BASE 2 GR. APPIA COMPACT | |
| 05000952.BPV | BASAMENTO 2 GR. APPIA COMPACT BIANCO PERLA VERNICIATO | BASEMENT 2 GR. APPIA COMPACT PEARL WHITE VARNISHED | |
| 05000952.RV | BASAMENTO 2 GR. APPIA COMPACT ROSSO VERNICIATO | BASEMENT 2 GR. APPIA COMPACT RED VARNISHED | |
| 05001224.C | MOSTRINA MANOMETRO AURELIA II CROMATA | WATER MANOMETER CHROMED FRAME AURELIA II | |
| 05002210 | SUPPORTO ANGOLARE PIATTO RACCOGLIACQUA | FLAT ANGULAR WATER TRAY SUPPORT ADONIS | |
| 05002228 | COLLETORE SCARICO GRUPPI EROG | POURING UNIT DRAIN MANIFOLD | |
| 05002230 | TAPPO GOMMA SCARICO x 05002228 | DRAIN RUBBER PLUG | |
| 05080035 | PRESSA CAFFE' ABS NERO | PLASTIC COFFEE PRESS | |
| 05340031 | GRIGLIA MODULO 370x230 | MODULE GRILL 370x230 | |
| 06200008 | BECCO DUE VIE OPEN | TWO WAYS SPOUT | |
| 06200125 | CROCIERA 4 VIE 1/4 M OT57 USA | 4 WAYS JOINT 1/4 OT57 USA | |
| 07300009 | DADO RACCORDO 1/4 | JOINT NUT 1/4 | |
| 07300012.M8 | RACC. 1/4 1/4 GAS CON OR.F.M8 OT-57 USA | CONNECTION 1/4 1/4 W/OR HOLE M8 | |
| 07300017 | RACCORDO 1/4 3/8 GAS OT-57 USA | FITTING 1/4 3/8 GAS OT. | |
| 07300051 | RACCORDO T 1/4 M-M-M CILIN. | CONNECTION T 1/4 M-M-M CYLIN 464 | |
| 07300063 | TERMINALE CHIUSO PER DADO RACCORDO 1/4 | JOINT NUT 1/4 TERMINAL | |
| 07300067 | DADO RACCORDO 3/8 GAS D11 AGG. 15.11.84 | NUT CONNECTION 3/8 GAS D11 | |
| 07300068 | RACCORDO L 3/8 M-M CILIN. OT-58 NICHELATO | CONNECTION L 3/8 M-M CYLIN 459 | |
| 07300092 | BECCO UNA VIA CURVO OPEN | SINGLE SPOUT | |
| 07300097 | TERMINALE CHIUSO D 14 | TERMINAL D.14 | |
| 07300100.M8 | ATTACCO SCAR. 1/4-1/4 + INT M8 | DOWNLOAD FASTENING 1/4 DOWNLOAD TRAY WITH OR | |
| 07300110 | TAPPO PORTA MOLLA R.V. PR. | SPRING HOLDER TAP | |
| 07300112 | ATTACCO RUB. ACQUA OT-57 USA | FASTENING WATER PROGRAM TAP | |
| 07300121 | RACCORDO L 1/4 M-M CILIN 459 AGG. 18.02.97 | CONNECTION L 1/4 M-M CYLIN. 459 | |
| 07300125 | GIGLER M8x8 F.0,8 | GIGLEUR M8X8 F.0.8 | |
| 07300126 | GIGLER M8x8 F.1,5 | GIGLEUR M8X8 F.1,5 | |
| 07300127 | GIGLER M8x8 F.2,5 | GIGLEUR M8X8 F.2,5 | |
| 07300128 | TAPPO 1/4 GAS AGG.31.01.89 | CAP 1/4 GAS | |
| 07300171 | TAPPO OT M20X1,5 GR. EROG. | TAPPO OT M20X1,5 GR. EROG. CAP | |
| 07300172 | RACCORDO 3/8"M-3/8"M INT M8 OT-57 USA | PIPE FITTING 3/8"M-3/8"M INT M8 | |
| 07300183 | PADIGLIONE GRUPPO | GROUP HEAD CAP | |
| 07300183.5 | PADIGLIONE GRUPPO PREMIER2002 h=5 AGG. 30.08.2012 | DIFFUSER h=5 | |
| 07300221 | ASTA INOX RUBINETTO VAPORE | STEAM VALVE INOX SCREW | |
| 07300226 | GIGLER M8x8 F.2 | GIGLEUR M8X8 F.2 | |
| 07300227 | RONDELLA OT D.26x13,5x1,5 AGG.5.06.03 | BRASS WASHER D.26X13,5X1,5 | |
| 07300229 | GIGLER M8x8 F.0,5 | GIGLEUR M8X8 F.0,5 | |
| 07300231 | GIGLER M8x8 F.1,75 | GIGLEUR M8X8 F.1,75 | |
| 07300292 | ATTACCO RUBINETTO PER LANCIA VAPORE SNODATA INOX | TAP FASTENING FOR FLEX. STAINLESS STEAM WAND | |
| 07300293 | BUSSOLA SNODO OTTONE | BRASS BUSHING | |
| 07300295 | DADO RACC. 3/8 LANCIA SNODATA OTTONE NICHELATO | WAND NUT 3/8 | |
| 07300355 | FORCELLA RUBINETTO '99 OTTONE OT-58 | TAP FORK | |
| 07300361 | RACCORDO L GIR 1/4 M-CALZAM.6 VITON 346 A NICHELATO | PIVOTING CONNECTION L 6 1/4 VITON346A | |
| 07300362 | RACCORDO DIR. 1/4 M-CALZ.6 340 | STRAIGHT FITTING 1/4 | |
| 07300364 | RACCORDO 1/8 A CALZAMENTO | 1/8 FITTING CONNECTION | |
| 07300365 | RACCORDO T 1/4 M-F-F | T FITTING 1/4 FFM | |
| 07300382 | RACCORDO A CALZAMENTO F6 1/4 | F6 1/4 FITTING CONNECTION | |
| 07300531 | RACCORDO L 1/4 F CALZAM. 347 | CONNECTION L 1/4 F ACTUATOR 347 | |
| 07300601 | INSERTO MANOPOLA PORTAFILTRO 2003 INOX (Aisi303) | FILTER HOLDER KNOB INSERTION 2003 STAINLESS | |
| 07300619 | INSERTO PROLUNGA PIEDE ALTO ES 20 L=70 + M10 | INSERTION EXTENSION TALL FOOT ES 20 L=70 M10 | |
| 07300636 | TUBO LANCIA VAPORE INOX EASY CREAM APPIA II COMPACT | APPIA II COMPACT EASY CREAM INOX STEAM WAND | |
| 07300671 | BECCO EASY CREAM TALENTO | TALENTO EASY CREAM NOZZLE | |
| 07300798 | DADO RACC. 3/8 H=26 LANCIA SNODATA OTTONE NICHELATO | NUT BEND WAND | |
| 07300799 | DADO RACCORDO 3/8 PER LANCIA SNODATA INOX | STEAM WAND 3/8 INOX NUT | |
| 07300800 | CORPO RUB.VAPORE AURELIA II OT-58 | STEAM TAP | |
| 07300802 | ATTACCO RUB. ACQUA/AUTOSTEAM AURELIA II OT-58 | FASTENING WATER/AUTOSTEAM WAND AURELIA II | |
| 07300810 | SPINOTTO RUB.VAPORE AURELIA II | SPINOTTO RUB.VAPORE AURELIA IIREPLACE 07300104 | |
| 07300859 | RACCORDO 3/8 - 3/8 GIGLER F3 | 3/8 - 3/8 F3 GIGLER JOINT | |
| 08000005 | MOLLA 6 ST 11,5X8,5X25 RUB.VAPORE | STEAM VALVE SPRING | |
| 08000015 | ANELLO SEEGER TIPO RS 5 INOX UN17434 *KB* | SEEGER RING RS 5 STAINLESS STEEL | |
| 08000017 | MOLLA BLOCCA FILTRO ACC.INOX | FILTER HOLDER SPRING INOX | |
| 08000027 | MOLLA PER LANCIA SNODATA | WAND SPRING | |
| 08000034 | FASCETTA STRINGITUBO D12 *KB* | HOSE CLAMPS D12 | |
| 08000043 | MOLLA PER LANCIA SNODATA AISI 302 | SPRING | |
| 08000100 | MOLLA INTERNA PIEDE 2005 | SPRING | |
| 09000004.UL | CENTRALINA AUTOLIVELLO UL 115V | SWITCHBOARD SELF-LEVEL UL 115V | |
| 09000005 | SONDA AUTOLIVELLO COMP. L=130 | WATER LEVEL SENSOR | |
| 09000015 | CENTRALINA AUTOLIVELLO 230V | AUTO WATER FILL CIRCUI 230V | |
| 09000015.UL | CENTRALINA AUTOLIVELLO UL 230V | AUTOLEVEL CONTROL BOARD UL 230V | |
| 09000016 | RUBINET. SFERA ALLACCIO RETE 3/8 M-F | TAP CONNECTION SUPPLY 3/8 M-F | |
| 09000018 | RUBINET. SFERA DISTRIBUTORE 1/4 M-F | DISPENSER TAP 1/4 M-F | |

A P P I A II C O M P A C T

| CODICE | DESCRIZIONE | DESCRIPTION | END VALIDITY |
|--------------------|---|---|--------------|
| 09100003 | MANOMETRO DOPPIA SCALA 2,5:15 D.60 | DOUBLE SCALE GAUGE | |
| 09200006 | PRESSOSTATO MACCHINA CE/UL | PRESSOSTAT | |
| 09500004 | TERMOSTATO RIARMO MANUALE 135 °C | THERMOSTAT 135 °C | |
| 09500022 | TERMOSTATO RIARMO AUTOMATICO 75 °C | AUTOMATIC THERMOSTAT 75 °C | |
| 11600001.W | TUBO SILICONE 7.5x4 BIANCO | WHITE SILICONE PIPE WHITE 7.5x4 | |
| 11600003 | TUBO SILICONE 8x12 70Sh PEROX (1mt=75gr) TRASPARENTE | SILICONE TUBE 8X12 70SH PEROX TRANSPARENT | |
| 11600004 | TUBO SILICONE 5x9 60Sh PEROX BIANCO SEMITRASPARENTE (1mt=5 | SILICONE PIPE WHITE 5x9 60Sh SEMI-TRANSPARENT | |
| 11740001 | TUBO TEFLON 6/4 | TEFLON PIPE 4X6 | |
| 11740002 | TUBO TEFLON 4x2.5 | TEFLON PIPE 4x2.5 | |
| 14100043 | RESISTENZA 230V 150W | HEATING ELEMENT 230V 150W | |
| 75006038.1 | BECCO VAPORE M8,65x0,75 F. 1,2 ESAG.12 | STEAM TIP | |
| 75006038.2 | BECCO VAPORE M8,65x0,75 F. 1,5 ESAG.12 | STEAM NOOZLE M8,65x0 | |
| 75006070 | KIT LANCIA VAPORE SNOData INOX CON BECCO 1,5 E DADO ALTO INCI | STEAM WAND TIP 1,2 NUT H=26 | |
| 82007003 | ROMPIGETTO ACQUA CALDA D.23,5 F1/8" | HOT WATER DISPERSION | |
| 98001006 | PIEDE MACCHINA 06 BICOMPONENTE D.48 H=40 INSERTO M10 MASCHIO | MACHINE FEET replace 98001001 | |
| 98001008 | KIT PIEDI ALTI 2006 (4 pz.) | KIT TALL FEET 2006 (4 PCS.) | |
| 98003018 | VALVOLA RITEGNO 98 ES.16 | VALVOLA RITEGNO 98 ES.16 RETAIN VALVE | |
| 98004001 | FILTRO INOX DIAM. 8 | FILTER INOX DIAM. 8 | |
| 98004016 | FILTRO INOX DIAM. 12 | STAINLESS FILTER DIAM. 12 | |
| 98005021 | PORTAFILTRO INCLINATO COMP. 1 VIA N.S. | COMPLETE ERGONOMIC FILTERHOLDE1 SPOUT | |
| 98005022 | PORTAFILTRO INCLINATO COMP. 2 VIE N.S. | COMPLETE FILTERHOLDER 2 WAYS ERGONOMIC | |
| 98005024 | CORPO PORTAFILTRO INCLINATO + MANOPOLA N.S. | TILTED FILTERHOLDER +HANDLE | |
| 98006021 | ASSIEME MANOPOLA VAPORE "2004" DX | COMBINED STEAM KNOB "2004" RIGHT | |
| 98006022 | ASSIEME MANOPOLA VAPORE "2004" SX | COMBINED STEAM KNOB "2004" LEFT | |
| 98006055 | KIT LANCIA VAPORE TURBOCREAM DADO ALTO APPIA II | KIT TURBOCREAM STEAM WAND HIGH NUT APPIA II | |
| 98007007 | KIT LANCIA ACQUA C. INOX L=100 COMPL. DI ROMPIGETTO 82007003 AUR | KIT HOT WATER SS WAND L=100 WITHOUT SPRAYEND | |
| 98007009 | KIT LANCIA ACQUA C. INOX L=70 COMP. DI ROMPIGETTO 82007003 | KIT HOT WATER STAINLESS WAND L=70 W/SPRAYEND | |
| 98008004 | PISTONCINO CHIUSURA COMPLETO | COMPLETE STEAM VALVE PISTON | |
| 98013020 | VALVOLA SICUREZZA A5 1/4 TARATA 1,8 BAR | SAFETY VALVE 1/4 1.8 BAR | |
| 98030065 | TUBO D.8 1/4 1/4 L=59.5 | TUBE D.8 1/4 1/4 L=50 | |
| 98030075 | TUBO CAPILLARE 1/8-1/4 0,9x2x400 MANOMETRO- POMPA | CAPILLARY TUBE 1/8-1/4 0,9X2X400 MANOM.-PUMP | |
| 98030165 | TUBO 1/4 1/4 MODIFICA SEMIAUT APPIA 1-2-3 GR. | TUBE 1/4 1/4 SEM CHANGE APPIA 1-2-3 GR | |
| 98030260 | TUBO SUP.SX 3/8 3/8 GR.BASSO APPIA COMPACT | LEFT UPPER TUBE 3/8 3/8 LOW GR. APPIA COMP. | |
| 98030261 | TUBO SUP.DX 3/8 3/8 GR.BASSO APPIA COMPACT | UPPER RIGHT TUBE 3/8 3/8 LOW GR. APPIA COMP | |
| 98030262 | TUBO INF. 3/8 3/8 GR.BASSO APPIA COMPACT | LOWER TUBE 3/8 3/8 LOW GR. APPIA COMPACT | |
| 98030264 | TUBO SUP.SX 3/8 3/8 GR.ALTO APPIA COMPACT | UPPER RIGHT TUBE 3/8 3/8 HIGH GR. APPIA COMP | |
| 98030265 | TUBO SUP.DX 3/8 3/8 GR.ALTO APPIA COMPACT | UPPER TUBE 3/8-3/8 LOW GR. APPIA 1 GR. | |
| 98030266 | TUBO INF. 3/8 3/8 GR.ALTO APPIA COMPACT | LOWER TUBE 3/8 3/8 HIGH GR. APPIA COMPACT | |
| 98030272 | CROCIERA PRESSOSTATO-MANOMETRO APPIA COMPACT | CROSSPIECE PRESSOSTAT-MANOMETER APPIA | |
| 98030274 | TUBO 3/8-1/4 CALDAIA-T MISCELA TORE A. CALDA APPIA COMPACT | TUBE 3/8-1/4 BOILER-T H.W. MIXER EV APPIA C | |
| 98030276 | TUBO 3/8 1/4 CALDAIA-ATTACCO A CALDA APPIA COMPACT | TUBE 3/8 1/4 BOILER-HOT WATER APPIA COMPACT | |
| 98030278 | CROCIERA INGRESSO-NEPLAS-RUB. BYPASS-EV LIVELLO-DOSATORI | CROSSPIECE ENTRANCE-NEPL-TAP BYPASS-DOSER | |
| 98030280 | TUBO COLL. GR.IDRAUL.- SCAMB. SX APPIA COMPACT | TUBE 1/4 3/8 DOSER- LEFT EXCHANGER APPIA COMP | |
| 98030281 | TUBO COLL. GR.IDRAUL.- SCAMB. DX APPIA COMPACT | TUBE 1/4 3/8 DOSER-RIGHT EXCHANGER APPIA COMP | |
| 98030287 | TUBO 1/4 3/8 EV LIVELLO- RUB. BY PASS- CALDAIA APPIA COMPACT | TUBE 1/4 3/8 EV. LEVEL- TAP BYPASS- BOILER | |
| 98030289 | TUBO 1/4 1/8 SCARICO APPIA COMPACT | TUBE 1/4 1/8 DOWNLAD APPIA COMPACT | |
| 98030292 | TUBO TEFLON INT. SCAMBIATORE D.6 x 160 mm. | INT. TEFLON TUBE EXCHANGER D.6 X 160 MM. | |
| 98030294 | TUBO 3/8-1/4 CALDAIA-EV 3 VIE APPIA COMPACT AUTOSTEAM | TUBE 3/8-1/4 BOILER-3W. EV APPIA COMPACT | |
| 98030630 | CALDAIA SALDATA APPIA COMPACT II | WELDED BOILER APPIA COMACT II | |
| 98030640 | TUBO LANCIA VAP. DX APPIA II COMPACT | STEAM WAND PIPE RIGHT APPIA II COMPACT | |
| 98030642 | TUBO LANCIA VAP. SX APPIA II COMPACT | STEAM WAND PIPE LEFT APPIA II COMPACT | |
| 98030644 | TUBO E.V. AUTOSTEAM - LANCIA APPIA II COMPACT | TUBE SV AUTOSTEAM-STEAM WAND APPIA II COMPACT | |
| 98030646 | TUBO VALVOLA SICUREZ. APPIA II COMPACT | TUBE SECURITY VALVE APPIA II COMPACT | |
| 98030648 | TUBO CALDAIA - EV EASY CREAM APPIA II COMPACT | BOILER - EV EASY CREAM APPIA II COMPACT TUBE | |
| 98030649 | TUBO EV EASY CREAM - LANCIA APPIA II COMPACT | EV EASY CREAM - STEAM WAND APPIA II COMPACT TUBE | |
| 98120001 | VALVOLA NEPLAX VITON 16,5 BAR 1/8 - PORTAGOMMA | NEPLAX VITON 16,5 BAR VALVE 1/8 HOSE CLAMP | |
| 98060000000111 | ASS. RUBINETTO VAPORE SENZA LANCIA AURELIA II - APPIA II | STEAM TAP ASSEMBLY | |
| 98060000000250 | ASS. RUBINETTO VAPORE + LANCIA VAPORE CON DADO ALTO APPIA II | STEAM WAND + STEAM TAP ASSEMBLY | |
| 98060000000251 | ASS. RUBINETTO VAPORE + LANCIA VAPORE CON DADO ALTO APPIA II BE | ASSEMBLY STEAM TAP + STEAM WAND HIGH NUT APPIA II | |
| 98130000000013 | ASSIEME VALVOLA SICUREZZA APPIA II COMPACT | SECURITY VALVE ASSEMBLY APPIA II COMPACT | |
| 981600000000520 | ASS. TRAF. + CABLAGGIO AURELIA II - ADONIS CON EASY CREAM | WIRING + TRAN. AURELIA II - ADONIS WITH EASY CREAM ASSEMBLY | |
| 98170000000010 | ASSIEME POMPANTE 50 lt + RACCORDI | 50 lt PUMP + JOINT ASSEMBLY | |
| 98170000000033 | ASSIEME SUPPORTO + COMPRESSORE TALENTO | COMPRESSOR + SUPPORT ASSEMBLY TALENTO | |
| 982400141100090 | RESISTENZA 2600W 230V APPIA II COMPACT | HEATING ELEMENT 2600W 230 V APPIA II COMPACT | |
| 982400141100091 | RESISTENZA 1500W 115V APPIA II COMPACT | HEATING ELEMENT 1500W 115 V APPIA II COMPACT | |
| 980100000007120001 | ASS. PULSANT. APPIA II COMPACT PELLICOLA S + SUPP. GR.BASSI | ASS. BUTTON PANEL APPIA II COMPACT S + SUPPORT LOW GROUP | |
| 980100000007120002 | ASS. PULSANT. APPIA II COMPACT PELLICOLA S + SUPP. GR. ALTI | ASS. BUTTON PANEL APPIA II COMPACT S + SUPPORT HIGH GROUP | |
| 980100000007130001 | ASS. PULSANT. APPIA II COMPACT PELLICOLA V + SUPP. GR.BASSI | ASS. BUTTON PANEL APPIA II COMPACT V + SUPPORT LOW GROUP | |
| 980100000007130002 | ASS. PULSANT. APPIA II COMPACT PELLIC.V+SUPP. GR.BASSI AUTOSTEAM | ASS. BUTTON PANEL APPIA II COMPACT V + SUPPORT LOW GROUP AUTOS | |
| 980100000007140001 | ASS. PULSANT. APPIA II COMPACT PELLICOLA V + SUPP. GR. ALTI | ASS. BUTTON PANEL APPIA II COMPACT V + SUPPORT HIGH GROUP | |
| 980100000007140002 | ASS. PULSANT. APPIA II COMPACT PELLIC. V+SUPP. GR. ALTI AUTOSTEAM | ASS. BUTTON PANEL APPIA II COMPACT V + SUPPORT HIGH GROUP AUTOS | |
| 980100000007200001 | ASSIEME FIANCO DX APPIA II 2 GR. NERO | RIGHT SIDE PANEL ASSEMBLY APPIA II 2 GR. BLACK | |
| 980100000007200003 | ASSIEME FIANCO DX APPIA II BIANCO PERLA | RIGHT SIDE PANEL ASSEMBLY APPIA II WHITE PAINTED | |
| 980100000007200004 | ASSIEME FIANCO DX APPIA II ROSSO | RIGHT SIDE PANEL ASSEMBLY APPIA II RED | |
| 980100000007210001 | ASSIEME FIANCO SX APPIA II 2 GR. NERO | LEFT SIDE PANEL ASSEMBLY APPIA II 2 GR. BLACK | |
| 980100000007210003 | ASSIEME FIANCO SX APPIA II BIANCO PERLA | LEFT SIDE PANEL ASSEMBLY APPIA II WHITE PAINTED | |
| 980100000007210004 | ASSIEME FIANCO SX APPIA II ROSSO | LEFT SIDE PANEL ASSEMBLY APPIA II RED | |
| 980100000007440001 | ASSIEME PARETE FRONT. APPIA II COMPACT GR.BASSI | ASSEMBLY FRONT PANEL LOW GROUPS APPIA II COMPACT | |
| 980100000007440002 | ASSIEME PARETE FRONT. APPIA II COMPACT GR. ALTI | ASSEMBLY FRONT PANEL HIGH GROUPS APPIA II COMPACT | |
| 980300000007040001 | ASSIEME CALDAIA COMP. APPIA II COMPACT 230V | BOILER ASSEMBLY COMP. APPIA II COMPACT 230V | |
| 980300000007040002 | ASSIEME CALDAIA COMP. APPIA II COMPACT 110V | BOILER ASSEMBLY COMP. APPIA II COMPACT 110V | |
| 980400000005000001 | ASSIEME GRUPPO EROG.APPIA II CE 220-230V 50Hz | GROUP ASSEMBLY APPIA II CE 220-230V 50Hz | |
| 980400000005000006 | ASSIEME GRUPPO EROG.APPIA II ETL/CSA 208-240V 60Hz | GROUP ASSEMBLY APPIA II ETL/CSA 208-240V 60Hz | |
| 980400000005000010 | ASSIEME GRUPPO EROG.APPIA II CSA 110-120V 60Hz | GROUP ASSEMBLY APPIA II CSA 110-120V 60Hz | |
| 980400000005020001 | ASSIEME GRUPPO EROG. DX APPIA II COMPACT CE 220-230V 50Hz | GROUP ASSEMBLY APPIA II CE 220-230V 50Hz | |
| 980400000005020004 | ASSIEME GRUPPO EROG. DX APPIA II COMPACT ETL/CSA 208-240V 60Hz | GROUP ASSEMBLY APPIA II ETL/CSA 208-240V 60Hz | |
| 980400000005020005 | ASSIEME GRUPPO EROG. DX APPIA II COMPACT CSA 110-120V 60Hz | GROUP ASSEMBLY APPIA II CSA 110-120V 60Hz | |
| 981600000007050001 | ASSIEME PULSANTIERA COMP.APPIA II COMPACT SEM GR.BASSI | ASSEMBLY CONTROL PANEL APPIA II COMPACT SEM LOW GROUPS | |
| 981600000007050002 | ASSIEME PULSANTIERA COMP.APPIA II COMPACT SEM GR. ALTI | ASSEMBLY CONTROL PANEL APPIA II COMPACT SEM HIGH GROUPS | |
| 981600000007150001 | ASSIEME PULSANTIERA COMP.APPIA II COMPACT VOL GR.BASSI | ASSEMBLY CONTROL PANEL APPIA II COMPACT VOL LOW GROUPS | |
| 981600000007150002 | ASSIEME PULSANTIERA COMP.APPIA II COMPACT VOL GR. ALTI | ASSEMBLY CONTROL PANEL APPIA II COMPACT VOL HIGH GROUPS | |
| 981600000007150003 | ASSIEME PULSANTIERA COMP.APPIA II COMPACT VOL AUTOSTEAM GR.BA | ASSEMBLY CONTROL PANEL APPIA II COMPACT VOL AUTOSTEAM LOW GR | |
| 981600000007150004 | ASSIEME PULSANTIERA COMP.APPIA II COMPACT VOL AUTOSTEAM GR.AL | ASSEMBLY CONTROL PANEL APPIA II COMPACT VOL AUTOSTEAM HIGH GR | |

A P P I A II C O M P A C T