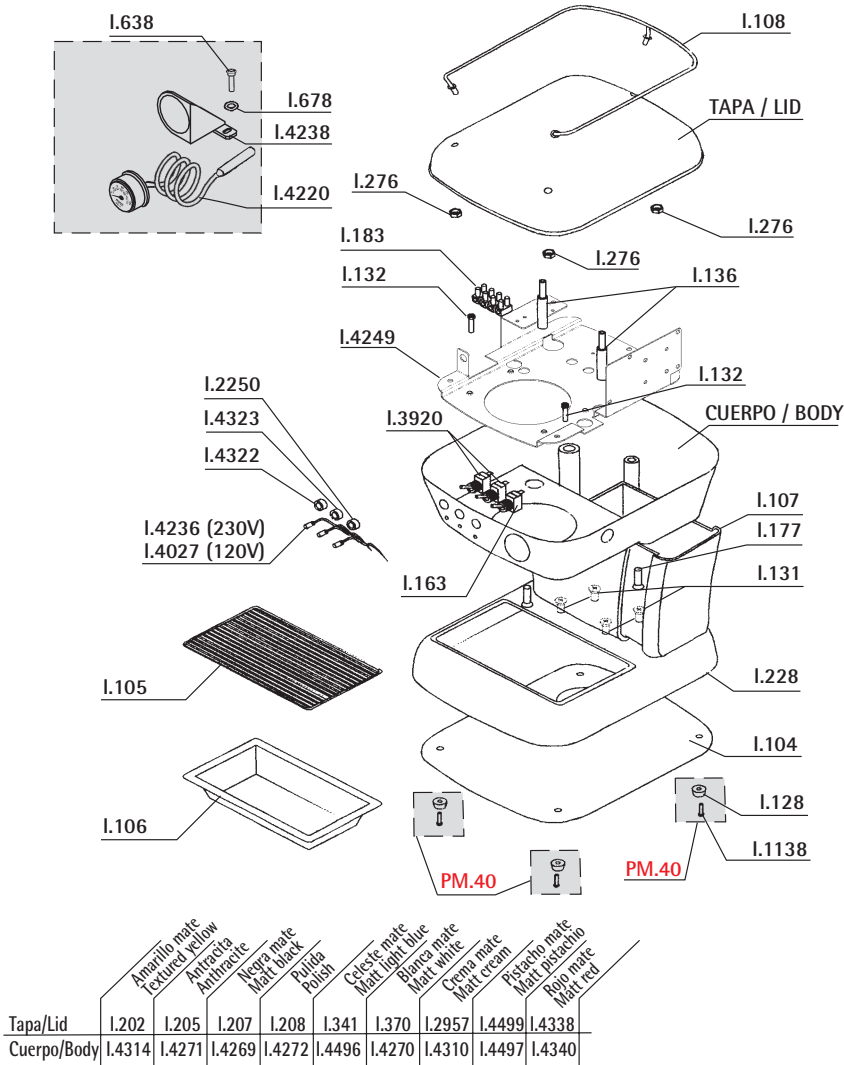


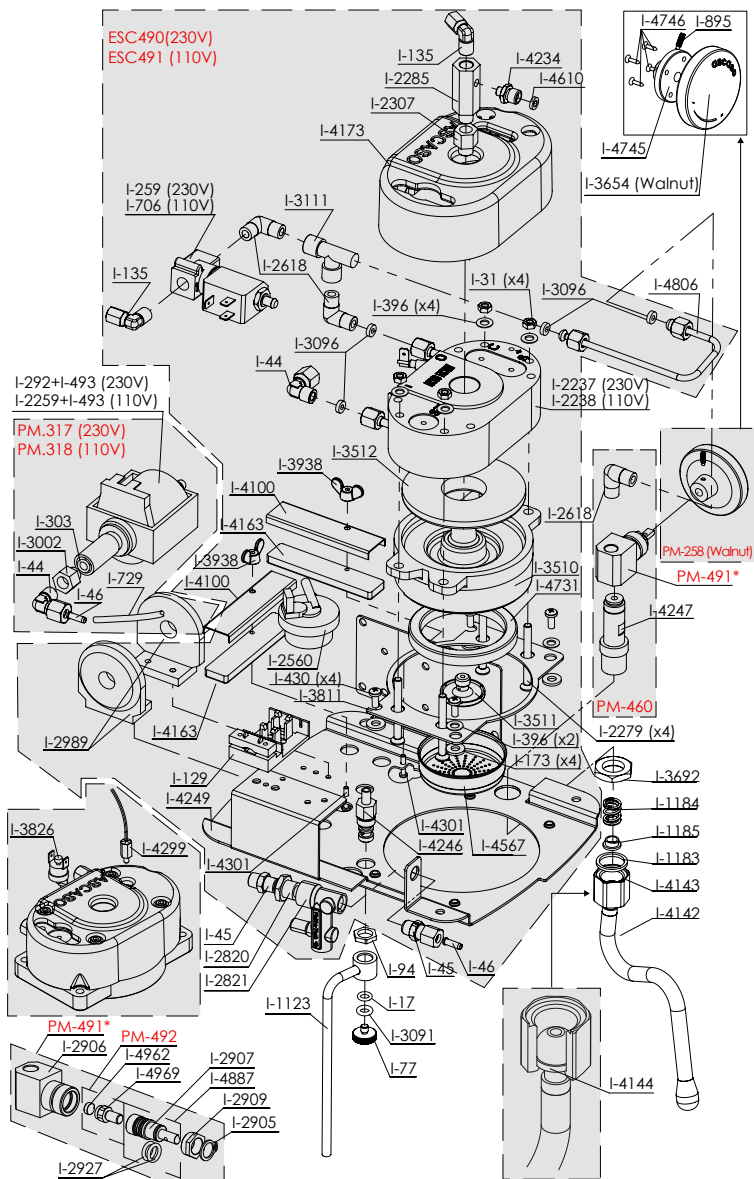


Dream PID 2020



REF. DESCRIPCIÓN DESCRIPTION

I..104	BASE FONDO DREAM	DREAM BASE
I..105	REJILLA DREAM	DREAM GRID
I..106	BANDEJA DREAM INOX	INOX DREAM TRAY
I..107	DEPOSITO DREAM	DREAM WATER TANK
I..108	BARANDILLA DREAM	DREAM BANISTER
I..128	PIE GOMA	RUBBER FOOT
I..131	TORNILLO FIJ. CUERPO DREAM	SCREW
I..132	TORNILLO FIJ. BASE MECAN.DREAM	DREAM FIXATION SCREW
I..136	UNION TAPA DREAM	DREAM LID UNION
I..163	INTERRUPTOR DREAM ON-OFF	DREAM ON-OFF SWITCH
I..177	TORNILLO TAPA DREAM INOX	INOX DREAM LID SCREW
I..183	REGLETA 4 VIAS	4 WAYS CONNECTOR
I..228	BASE DREAM PULIDA	POLISH DREAM BASE
I..276	TUERCA M8	M8 NUT
I..638	TORNILLO SUJECION TERMOMETRO INOX	THERMOMETER SCREW
I..678	ARANDELA DIN9021 M5 ZINCADA	WASHER
I.1138	TORNILLO M5X15 INOX	M5X15 INOX SCREW
I.2250	TUERCA INTERRUPTOR DREAM ON/OFF	DREAM ON/OFF SWITCH NUT
I.3920	INTERRUPTOR CAFE STEEL TRONIC 2016	COFFEE SWITCH STEEL TRONIC 2016
I.4027	PILOTO BLANCO STEEL 120V	PILOT WHITE STEEL 120V
I.4220	MANOMETRO DREAM/STEEL	MANOMETER DREAM/STEEL
I.4236	PILOTO BLANCO STEEL 230V	PILOT WHITE STEEL 220V
I.4238	SOPORTE MANOMETRO DREAM PID	MANOMETER BRACKET DREAM PID
I.4249	CHAPA GRUPO DREAM PID	DREAM PID GROUP PLATE
I.4322	TUERCA INTERRUPTOR DREAM PID WATER-STEAM	DREAM PID WATER-STEAM SWITCH NUT
I.4323	TUERCA INTERRUPTOR DREAM PID COFFEE	COFFEE DREAM PID SWITCH NUT
PM..40	CONJUNTO PATA DREAM	DREAM FOOT WHOLE



REF. DESCRIPCIÓN DESCRIPTION

ESC490	GRUPO INTERCAMBIADOR INOX DREAM PID MOLIDO 230V 19	GROUP DREAM PID THERM. INOX M.F. 230V 2019
ESC491	GRUPO INTERCAMBIADOR INOX DREAM PID MOLIDO 110V 19	GROUP DREAM PID THERM. INOX M.F. 110V 2019
I..17	JUNTA TORICA	SILICONE RING
I..31	TUERCA M5 INOX	NUT M5
I..44	RACOR CODO	RL BOX FITTING
I..45	RACOR RECTO	STRAIGHT FITTING
I..46	REFUERZO TUBO	PIPE REINFORCEMENT
I..77	FLUADOR TUBO VAPOR	PIPE STEAM SCREW
I..84	TUERCA APRIETE GRIFO	TAP NUT
I..129	RETENEDOR CABLE	TERMINAL WIRING
I..135	RACOR CODO 13280 4 1/8	FITTING
I..173	JUNTA GRUPO	TEFLON GASKET
I..259	ELECTROV. 3 VIAS PASO 1.2 230V 1/8-1/8 0-15BAR	3 WAY SOLENOID
I..292	BOMBA CP4SP PLUS 230/240V 50Hz	230V 50Hz PUMP
I..303	TORICA S-2	O-RING S-2
I..395	ARANDELA DENTADA M5 INOX	WASHER
I..430	TORNILLO M5x8 INOX	SCREW
I..493	TERMOSTATO PROTECTOR BOMBA	PUMP PROTECTION THERMOSTAT
I..706	ELECTROV. 3 VIAS PASO 1.2 120V 1/8-1/8 0-15BAR	120V 3 WAYS SOLENOID
I..729	TUBO TEFLON 4x6 (100mm)	4x6 (100mm) TEFLON PIPE
I..855	TORNILLO FIJACION EMBUDO INOX	FUNNEL FIXED SCREW
I..1123	TUBO DESCARGA	DRAIN PIPE
I.1183	ARANDELA GRIFO AGUA	WATER TAP WASHER
I.1184	MUELLE GRIFO SALIDA VAPOR-AGUA	STEAM - WATER OUTLET TAP SPRING
I.1185	GUIA MUELLE GRIFO AGUA	SPRING GUIDE WATER TAP
I.2237	CJTO INTERCAMBIADOR INOX. 230V	THERMOBLOCK INOX. 230V (INCLUDE 2xI.3096)
I.2238	CJTO INTERC. INOX. 1000W 120V (INCLUDE 2xI.3096)	THERMOBLOCK INOX. 1000W 120V (INCLUDE 2xI.3096)
I.2259	BOMBA ULKA EP4 20 BAR 48W 120V	ULKA EP4 20 BAR 48W 120V PUMP
I.2279	TORNILLO M5X50 DIN7991 A-4 80 INOX	SCREW M5X50 DIN7991 A-2 SS
I.2285	RACOR CONEXION GRIFO	FITTING
I.2307	PROLONGACION GRUPO BASIC	BASIC COFFEE GROUP EXTENSION
I.2560	CONTRADOR VOLUMETRICO FHKSC	DIGMESA FLOWMETER
I.2818	RACOR CODO MACHO 1/8	FITTING
I.2820	MANGUITO M-F M12x100 - 1/8" G	COUPLING M-F M12x100 - 1/8" G
I.2821	BY-PASS ASCASO	BY-PASS ASCASO
I.2905	ARANDELA SEGURIDAD DIN471 E-10	LOCK RING DIN471 E-10
I.2906	CUERPO GRIFO 2014	TAP BODY 2014
I.2907	EJE GRIFO 2014	TAP SHAFT 2014
I.2909	TUERCA CIERRE GRIFO 2014	Tap locking nut 2014
I.2927	JUNTA TORICA 2x8 SILICONA	OR 2x8.5 SILICONA
I.2969	SILENT BLOCK BOMBA	PUMP SILENT BLOCK
I.3002	RACOR BOMBA	PUMP FITTING
I.3091	JUNTA TORICA D6x2.5 SILICONA	OR D6x2.5 SILICONA
I.3096	JUNTA INTERCAMBIADOR	HEAT EXCHANGER GASKET
I.3111	RACOR T 1/8 H-H-M	FITTING T 1/8 H-H-M
I.3510	CAMPANA PROF. 2016	BELL PROF. 2016
I.3511	ROCIADOR GRUPO PROF. 2016	SPRAY GROUP PROF. 2016
I.3512	POSTIZO CAMPANA PROF. 2016	BELL PROF. 2016 SUPPLEMENT
I.3654	POMO VAPOR MADERA DREAM NOGAL	STEAM TAP WOOD DREAM
I.3692	TUERCA RACOR EV - SALIDA AGUA	RACOR NUT SOLENOID - WATER EXIT
I.3811	CHAPA SOPORTE GRUPO PROF 2016	GROUP PROF 2016 SUPPORT SHEET
I.3826	TERMOSTATO SEGURIDAD 215°	SAFETY THERMOSTAT 215°
I.3938	TUERCA CON ALAS M3	WING NUT M3
I.4100	TAPA LED BARBARISTA RAISED 2017	LED CAP BARISTA RAISED 2017
I.4142	TUBO VAPOR MD STEEL UNO/ DUO PROF PTFE D. 10mm	UNO/ DUO PROF PIPE PTFE D. 10mm
I.4143	TUERCA TUBO VAPOR AGUA PTFE	NUT STEAM WATER PIPE
I.4144	JUNTA TEFLON TUBO VAPOR AGUA PTFE	TEFLON GASKET STEAM WATER PIPE
I.4163	ILUMINACION DREAM STEEL	LIGHTING DREAM STEEL
I.4173	FUNDA TERMICA INTERCAMBIADOR INOX	THERMOBLOCK THERMAL CASE
I.4234	RACOR CONEXION INTERCAMBIADOR-MANOMETRO M6-1/8	RACOR CONNECTION THERMOBLOCK-MANOMETER M6-1/8
I.4246	RACORD CONEXION DESCARGA DREAM PID	WATER EXIT EXTENSION DREAM PID
I.4247	PROLONGACION GRIFO A 3/8"	TAP EXTENSION TO 3/8"
I.4249	CHAPA GRUPO DREAM PID	GROUP PLATE DREAM PID
I.4299	SONDA TEMPERATURA INOX PID (M4) 2017	INOX PID TEMPERATURE PROBE (M4) 2017
I.4810	JUNTA 8.5x4.4x2 PTFE	GASKET 8.5x4.4x2 PTFE
I.4731	JUNTA PORCA ROSA 7.8mm	FILTER/ROD GASKET 7.8mm
I.4745	CASQUILLO POMO VAPOR DREAM	FIXER STEAM HANDLE DREAM
I.4746	TORNILLO D2.5X10MM DIN 7505-A	SCREW D2.5X10MM DIN 7505-A
I.4806	TUBO VAPOR INOX DREAM	STAINLESS STEEL STEAM PIPE DREAM
I.4887	EJE GRIFO VAPOR COMPLETO	COMPLETE STEAM TAP AXLE
I.4962	TACO CIERRE GRIFO 2020	TAP STOPPER 2020
I.4969	SOPORTE TACO CIERRE GRIFO 2020	SUPPORT FOR TAP CONNECTOR 2020
PM.258	POMO VAPOR MADERA DREAM COMPLETO NOGAL	SET STEAM TAP WALNUT WOOD DREAM
PM.317	CJTO BOMBA DREAM PID 230V	PUMP WHOLE DREAM PID 230V
PM.318	CJTO BOMBA DREAM PID 110V	PUMP WHOLE DREAM PID 110V
PM.460	CJTO GRIFO DREAM PID 2019	TAP DREAM PID 2019
PM.491	SISTEMA COMPLETO CUERPO GRIFO 2020	COMPLETE SYSTEM TAP BODY 2020
PM.492	SISTEMA COMPLETO SOPORTE-TACO CIERRE GRIFO 2020	COMPLETE SYSTEM SUPPORT - TAP STOPPER 2020

3

Grupo café Dream PID Porta fijo ■ Dream PID fixed holder coffee group

ASCASO

REF.	DESCRIPCIÓN	DESCRIPTION
ESC.13	CONJUNTO CALIZ COMPLETO	LIMESTONE COMPLETE SET
ESC.492	GRUPO INTERCAMBIADOR INOX DREAM PID PF 230V 2019	GROUP DREAM PID THERM. INOX FH 230V 2019
ESC.493	GRUPO INTERCAMBIADOR INOX DREAM PID PF 110V 2019	GROUP DREAM PID THERM. INOX FH 110V 2019
L..1	BASE PORTA FLUO PULIDO	FIXED FILTERHOLDER BASE
L..4	SOPORTE MANGO	HANDLE SUPPORT
L..7	CÁMARA DE COMPRESION	COMPRESSION CHAMBER
L..9	CUERPO VALVULA RETENCION	RETENTION VALVE BODY
L..13	VALVULA SILICONA	SILICONE VALVE
L..14	CASQUILLO RODADURA	CAP
L..15	MUELLE VALVULA RETENCION	SPRING
L..17	JUNTA TORICA	SILICONE RING
L..18	JUNTA CIALDA GRUPO	SILICONE RING
L..22	CACILLO CIALDA N°1	N°1 POD FILTER
L..39	RODILLO LEVA INOX	LEVER ROLLER
L..44	RACOR CODO	RL BOX FITTING
L..45	RACOR RECTO	STRAIGHT FITTING
L..46	REFUERZO TUBO	PIPE REINFORCEMENT
L..55	DUCHA	SHOWER
L..77	FLUADOR TUBO VAPOR	PIPE STEAM SCREW
L..94	TUERCA APRIETE GRIFO	TAP NUT
L.129	RETENEDOR CABLE	TERMINAL WIRING
L.135	RACOR CODO 13280 4 1/8	FITTING
L.173	JUNTA GRUPO	TEFLON GASKET
L.185	PROTECTOR PORTA FLUO	PROTECTOR
L.230	EMBOLO ALUMINIO	PISTON WITH SHOWER
L.259	ELECTROV. 3 VIAS PASO 1.2 230V 1/8-1/8 0-15BAR	3 WAY SOLENOID
L.292	BOMBA CPASP PLUS 230/240V 50Hz	230V 50Hz PUMP
L.304	TORNILLO DUCHA INOX	SHOWER SCREW
L.303	TORICA S-2	O-RING S-2
L.356	TORNILLO ALLEN M5x15 INOX	ALLEN SCREW
L.358	TORNILLO PORTADUCHA M4 INOX	M4 SCREW
L.396	ARANDELA DENTADA M5 INOX	WASHER
L.428	TORNILLO M6x20 ZINCADO	SCREW
L.483	TERMOSTATO PROTECTOR BOMBA	PUMP PROTECTION THERMOSTAT
L.706	ELECTROV. 3 VIAS PASO 1.2 120V 1/8-1/8 0-15BAR	120V 3 WAYS SOLENOID
L.710	TUERCA VALVULA RETENCION CON DUCHA	NUT
L.729	TUBO TEFLON 4x6 (100mm)	4x6 (100mm) TEFLON PIPE
L.867	EMBUDO PLASTICO PF	PLASTIC FUNNEL PF
L.895	TORNILLO FLUACION EMBUDO INOX	FUNNEL FIXED SCREW
L.1123	TUBO DESCARGA	DRAIN PIPE
L.1184	MUELLE GRIFO SALIDA VAPOR-AGUA	STEAM WATER OUTLET TAP SPRING
L.1185	GUIA MUELLE GRIFO AGUA	SPRING GUIDE WATER TAP
L.1193	CUERPO GRIFO	TAP BODY
L.1237	C.TJO INTERCAMBIADOR INOX 230V	THERMOBLOCK INOX 230V (INCLUDE 2x1.3096)
L.2237	C.TJO INTERC. INOX 1000W 120V (INCLUIR 2x1.3096)	THERMOBLOCK INOX 1000W 120V (INCLUDE 2x1.3096)
L.2238	TAPA NUEVO INTERCAMBIADOR	LID
L.2248	BOMBA ULKA EP4 20 BAR 48W 120V	ULKA EP4 20 BAR 48W 120V PUMP
L.2259	JUNTA TORICA Ø82 SILICONA	O-RING Ø82 SILICONA
L.2280	RACOR CONEXION GRIFO	FITTING
L.2285	PROLONGACION GRUPO BASIC	BASIC COFFEE GROUP EXTENSION
L.2307	MEMBRANA GRUPO BAR KAP/PORTA FLUO	SILICONE MEMBRANE BAR KAP/FIX FILTER H. GROUP
L.2499	CONTACTOR VOLUMETRICO FHKSC	DIGIMESA FLOWMETER
L.2560	RACOR CODO MACHO 1/8	FITTING
L.2821	BYPASS ASCASO	BYPASS ASCASO
L.2820	TUERCA ASCASO	BYPASS NUT
L.2720	WASTAGO ALUMINIO 2015	ALUMINIUM SHAFT 2015
L.2721	PIVOTE LEVA INOX 2015	INOX LEVER PIVOT 2015
L.2905	ARANDELA SEGURIDAD DIN471 E-10	LOCK RING DIN471 E-10
L.2906	CUERPO GRIFO 2014	TAP BODY 2014
L.2907	EJE GRIFO 2014	TAP SHAFT 2014
L.2909	TUERCA CIERRE GRIFO 2014	Tap locking nut 2014
L.2927	JUNTA TORICA 2x8 SILICONA	OR 2x8.5 SILICONE
L.2958	ARANDELA APOYO	WASHER
L.2989	SILENT BLOCK BOMBA	PUMP SILENT BLOCK
L.3002	RACOR BOMBA	FITTING PUMP
L.3091	JUNTA TORICA Ø82.5 SILICONA	OR Ø82.5 SILICONA
L.3096	JUNTA INTERCAMBIADOR	HEAT EXCHANGER GASKET
L.3111	RACOR T 1/8 H-H-M	FITTING T 1/8 H-H-M
L.3654	POMO VAPOR MADERA DREAM NOGAL	STEAM TAP WOOD DREAM
L.3652	TUERCA RACOR EV - SALIDA AGUA	RACOR NUT SOLENOID - WATER EXIT
L.3659	TERMOSTATO SEGURIDAD 215°	SAFETY THERMOSTAT 215°
L.3838	TUERCA CON ALAS M3	WING NUT M3
L.4100	TAPA LED BARISTA RAISED 2017	LED CAP BARISTA RAISED 2017
L.4142	TUBO VAPOR M3 STEEL UNO/DUO PROF PTFE D.10mm	UNO/DUO PROF PIPE PTFE D.10mm
L.4143	TUERCA TUBO VAPOR/AGUA PTFE	NUT STEAM/ WATER PTFE
L.4144	JUNTA TEFLON TUBO VAPOR/AGUA PTFE	TEFLON GASKET STEAM/ WATER PTFE
L.4163	ILUMINACION DREAM/STEEL	LIGHTING DREAM/STEEL
L.4234	RACOR CONEXION INTERCAMBIADOR-MANOMETRO M6-1/8	RACOR CONNECTION THERMOBLOCK MANOMETER M6-1/8
L.4246	RACOR CONEXION DESCARGA DREAM PID	WATER EXIT EXTENSION DREAM PID
L.4247	PROLONGACION GRIFO A 3/8"	TAP EXTENSION TO 3/8"
L.4248	CHARA GRUPO DREAM PID	GROUP PLATE DREAM PID
L.4289	SONDA TEMPERATURA INOX PID (M4) 2017	INOX PID TEMPERATURE PROBE (M4) 2017
L.4301	TORNILLO SR 1972 NYLON 6.6 NATURAL	NATURAL NYLON SCREW 6.6 SR1972
L.4358	FUNDA TERMICA INTERCAMBIADOR INOX. PF	FIXED HOLDER THERMAL CASE
L.4610	EJE GRIFO 1/42 PTFE	GASKET Ø3x1.42 PTFE
L.4745	CASQUILLO POMO VAPOR DREAM	FIXER STEAM HANDLE DREAM
L.4746	TORNILLO D2.5X10MM DIN 7505-A	SCREW D2.5X10MM DIN 7505-A
L.4806	TUBO VAPOR INOX DREAM	STAINLESS STEEL STEAM PIPE DREAM
L.4887	EJE GRIFO VAPOR COMPLETO	COMPLETE STEAM TAP AXLE
L.4962	TACO CIERRE GRIFO 2020	TAP STOPPER 2020
L.4969	SOPORTE TACO CIERRE GRIFO 2020	SUPPORT FOR TAP CONNECTOR 2020
PM-258	POMO VAPOR MADERA DREAM COMPLETO NOGAL	SET STEAM TAP WALNUT WOOD DREAM
PM-317	C.TJO BOMBA DREAM PID 230V	PUMP WHOLE DREAM PID 230V
PM-318	C.TJO BOMBA DREAM PID 110V	PUMP WHOLE DREAM PID 110V
PM-460	C.TJO GRIFO DREAM PID 2019	TAP DREAM PID 2019
PM-491	SISTEMA COMPLETO CUERPO GRIFO 2020	COMPLETE SYSTEM TAP BODY 2020
PM-492	SISTEMA COMPLETO SOPORTE-TACO CIERRE GRIFO 2020	COMPLETE SYSTEM SUPPORT - TAP STOPPER 2020

4

Control electrónico / Display Dream PID ■ Dream PID Electronic Control / Display

ASCASO

REF.	DESCRIPCIÓN	DESCRIPTION
L..99	TORNILLO DIN 7985 M3x8 INOX A-4	SCREW DIN 7985 M3x8 INOX A-4
L..723	TORNILLO DIN 7985 M3 X 5 INOX	SCREW DIN 7985 M3 X 5 INOX
L..146	SOPORTE PLACA ELECTRONICA	THERMOSTAT SUPPORT
I.3324	SOPORTE DISPLAY DREAM PID	BRACKET DISPLAY DREAM PID
I.3673	CABLEADO BOTONERA DREAM PID	BOTTON WIRING
I.3957	CIRCUITO MULTIFUNCION+ DISPLAY 230V	MULTIFUNCTION+DISPLAY PCB 230V
I.3959	DISPLAY DREAM/STEEL PID	DREAM DISPLAY MULTIFUN. CIRCUIT
I.3980	CIRCUITO MULTIFUNCION+ DISPLAY 110V	MULTIFUNCTION+DISPLAY PCB 110V
I.4226	MIRILLA PANTALLA DREAM PID	SCREEN DREAM PID
I.4264	CABLE VOLUMETRICO DREAM / STEEL PID	FLOWMETER WIRE DREAM / STEEL PID
I.4299	SONDA TEMPERATURA INOX PID (M4) 2017	TEMPERATURE PROBE. INOX PID (M4) 2017
I.4312	CABLEADO DISPLAY DREAM PID	DISPLAY WIRING DREAM PID
I.4364	TECLA DREAM PID 2018	KEY DREAM PID 2018
I.4403	ARANDELA NYLON 3/8X2.5	WASHER NYLON 3/8X2.5
I.4469	CABLEADO GRUPO DREAM PID	GROUP WIRING DREAM PID
I.4857	AISLANTE CENTRALITA HOME/STEEL	HOME/STEEL PLASTIC PROTECTOR

ASCASO

REF.	DESCRIPCIÓN	DESCRIPTION
I.2560	CONTADOR VOLUMETRICO FHKSC	DIGMESA FLOWMETER
I.3957	CIRCUITO MULTIFUNCION+ DISPLAY 230V	MULTIFUNCTION+DISPLAY PCB
I.3959	DISPLAY DREAM/STEEL PID	DREAM DISPLAY MULTIFUNCTION CIRCUIT
I.3980	CIRCUITO MULTIFUNCION + DISPLAY 110V	MULTIFUNCTION + DISPLAY PCB 110V
I.4175	CALIENTA TAZAS DREAM / STEEL PID 230V	CUPWARMER DREAM / STEEL PID 230V
I.4337	CALIENTA TAZAS DREAM / STEEL PID 110V	CUPWARMER DREAM / STEEL PID 110V
I.4469	CABLEADO DREAM PID COMPLETO	COMPLETE WIRING DREAM PID

