

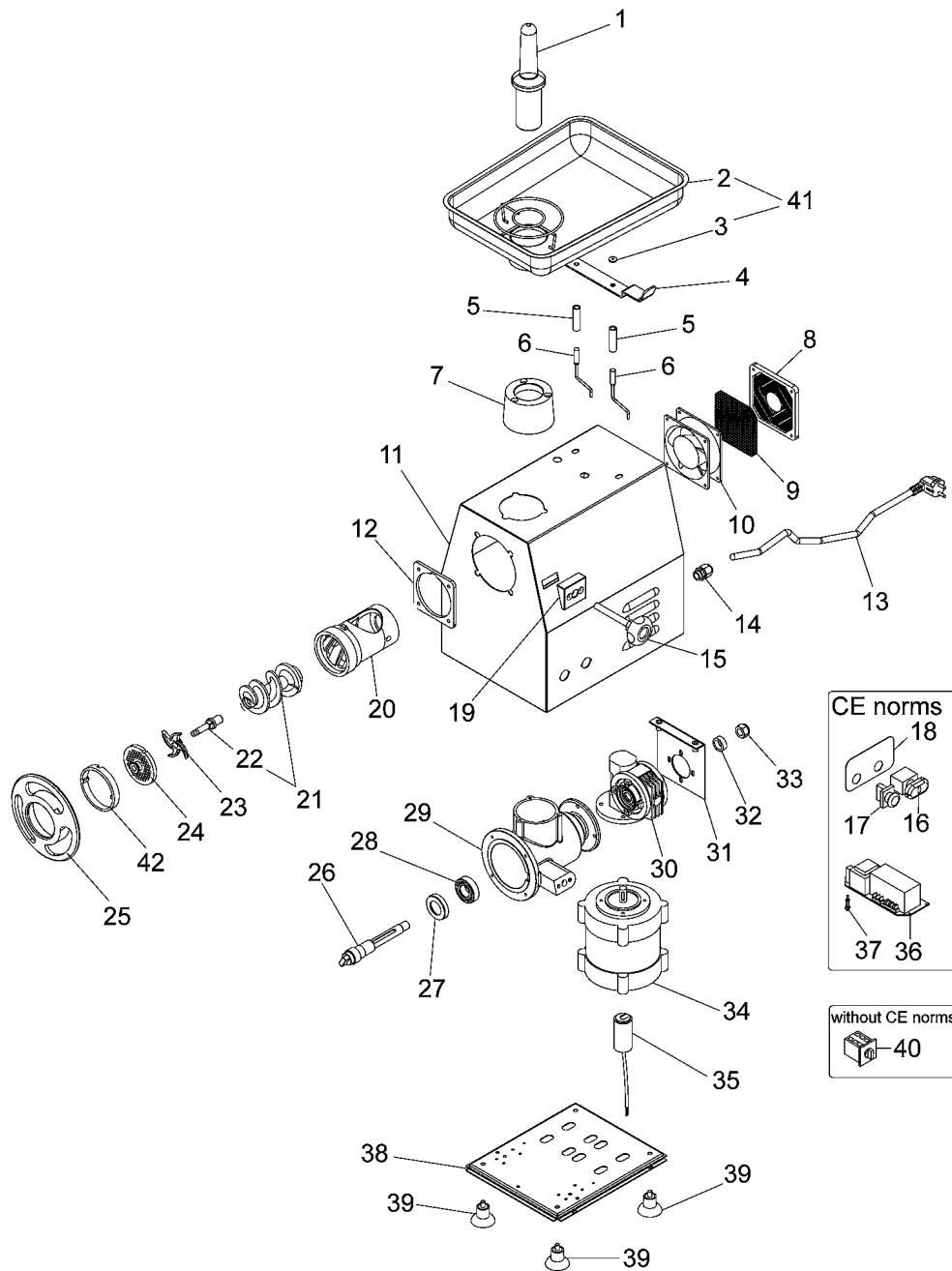


SPARE PARTS TAVOLA RICAMBI

tr32rsq0

SPEC.	N.	CODE	DENOMINAZIONE - DENOMINATION	PRICE
	* 1	SL4069	Pusher - Pestello	€ 2.10
	2	SL4068	Hopper - Tramoggia	€ 36.00
	3	SL3011	Magnet - Magnete	€ 3.50
	4	SL3246	Bracket - Staffa	
	5	SL3247	Support - Supporto	€ 5.00
	* 6	32W3240	Microswitch - Microinterruttore	€ 10.00
	7	SL3004	Hub - Mozzo	€ 32.00
	8	SL3233	Covering - Copertura	
	9	SL3257	Net - Rete	€ 2.50
230V/1Ph/50-60Hz	10	SL3183	Fan - Ventola	€ 22.40
	11	SL3472	Housing - Carcassa	€ 96.00
	12	SL3007	Flange - Flangia	
230V/1Ph/50Hz	13	SL1671	Electric cable - Cavo elettrico	€ 6.50
400V/3Ph/50Hz	13	SL2478	Electric cable - Cavo elettrico	€ 13.50
PG11	14	SL1668	Cable clamp - Pressacavo	€ 1.00
	* 15	SL2996	Flange - Flangia	€ 5.00
Start-reverse	* 16	SL1466	Push button - Pulsante	€ 24.00
Stop	* 17	SL0807	Push button - Pulsante	€ 12.00
	18	SL3577	Label - Etichetta	
	19	SL0249	Knob - Pomello	€ 11.00
Stainless-steel CE	20	SL3005	Sleeve - Bocchettone	€ 67.00
Unger NO CE	20	SL3107	Sleeve - Bocchettone	€ 104.00
Food stuff treated steel	20	SL3108	Sleeve - Bocchettone	€ 36.00
Stainless-steel NO CE	20	SL4157	Sleeve - Bocchettone	€ 75.00
Aluminium	20	SL4335	HUB - BOCCHETTONE	€ 37.21
Unger CE dal 12/18	20	SL4357	Sleeve - Bocchettone	€ 105.00
Unger CE fino al 11/18	20	SL4357+SL4352	Sleeve - Bocchettone	
Stainless-steel	* 21	SA2300	Screw shaft - Elica	€ 70.00
Unger	21	SA2400	Screw shaft - Elica	€ 85.00
Aluminium	* 21	SA5332	Screw shaft - Elica	€ 35.00
	22	SL2520	Pivot - Perno	€ 14.00
Unger	22	SL2560	Pivot - Perno	€ 15.00
	* 23	///////	Cutter - Coltello	
	* 24	///////	Cutter - Coltello	
Stainless-steel	25	SL2420	Handwheel - Volantino	€ 52.00
Aluminium	25	SL3329	Handwheel - Volantino	€ 18.00
	26	SL3463	Shaft - Albero	€ 25.00
∅35x∅62x11	27	SL3006	Oil seal - Paraolio	€ 5.00
6207 2RS	28	SL2735	Bearing - Cuscinetto	€ 10.00
	29	SL3462	Body - Corpo	€ 55.00

*Ricambio consigliato - Advised spare parts



POS. CODE	
1	SL4069
2	SL4068
3	SL3011
4	SL3246
5	SL3247
6	32W3240
7	SL3004
8	SL3233
9	SL3257
10	SL3183
11	SL3472
12	SL3007
13	SL1671
13	SL2478
14	SL1668
15	SL2996
16	SL1466
17	SL0807
18	SL3577
19	SL0249
20	SL3005
20	SL3107
20	SL3108
20	SL4157
20	SL4335
20	SL4357
20	SL4357+SL4352
21	SA2300
21	SA2400
21	SA5332
22	SL2520
22	SL2560
23	//////////
24	//////////
25	SL2420
25	SL3329
26	SL3463
27	SL3006
28	SL2735
29	SL3462

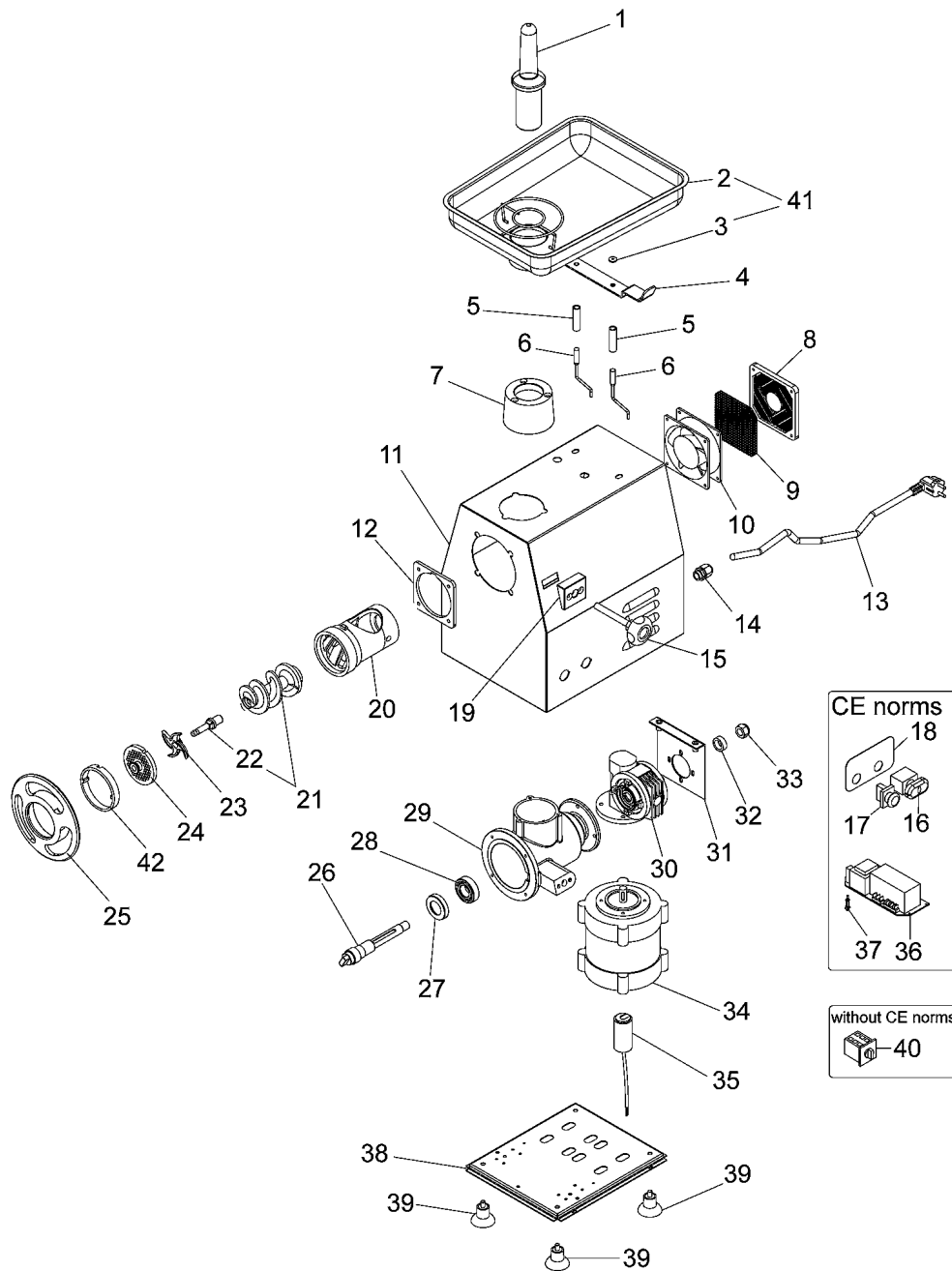


SPARE PARTS
TAVOLA RICAMBI

tr32rsq0

SPEC.	N.	CODE	DENOMINAZIONE - DENOMINATION	PRICE
	30	SL3477	Gear box - Riduttore	€ 98.00
	31	SL3459	Bracket - Staffa	€ 8.50
	32	SL3475	Shim - Spessore	€ 4.00
M16x1,5	33	SL2493	Nut - Dado	€ 0.80
400V/3Ph/50Hz	34	SA1003	Motor - Motore	€ 325.00
230V/1Ph/50Hz	34	SL2894	Motor - Motore	€ 215.00
55µF	35	SL3088	Condenser - Condensatore	€ 20.00
	* 36	SL0999	Electronic card - Scheda elettronica	€ 55.00
	37	SL3020	Spacer - Distanziale	€ 1.00
Three-phase (depotenziato)	38	SL3460	Bottom - Fondo	€ 18.80
Single-phase	38	SL3461R0	Bottom - Fondo	
Single-phase	39	SL0235	Foot - Piedino	€ 1.00
Three-phase (depotenziato)	39	SL1610	Foot - Piedino	€ 3.75
	40	SL0247	Inverter - Invertitore	€ 27.20
Assembly	41	SA1010	Hopper - Tramoggia	€ 48.00
Unger CE	42	SL4352	Reduction - Riduzione	€ 24.00

*Ricambio consigliato - Advised spare parts



POS. CODE

30	SL3477
31	SL3459
32	SL3475
33	SL2493
34	SA1003
34	SL2894
35	SL3088
36	SL0999
37	SL3020
38	SL3460
38	SL3461R0
39	SL0235
39	SL1610
40	SL0247
41	SA1010
42	SL4352