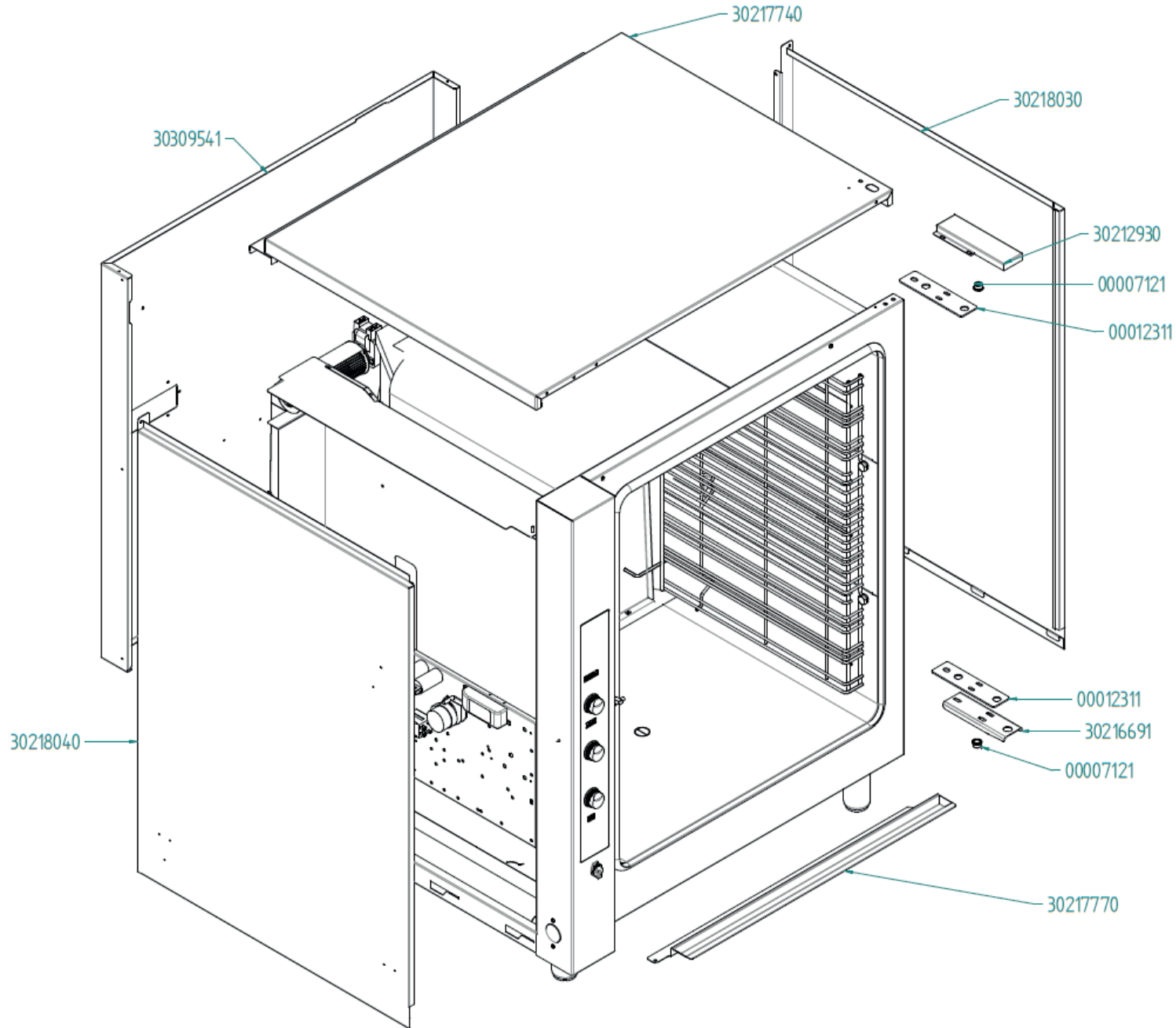
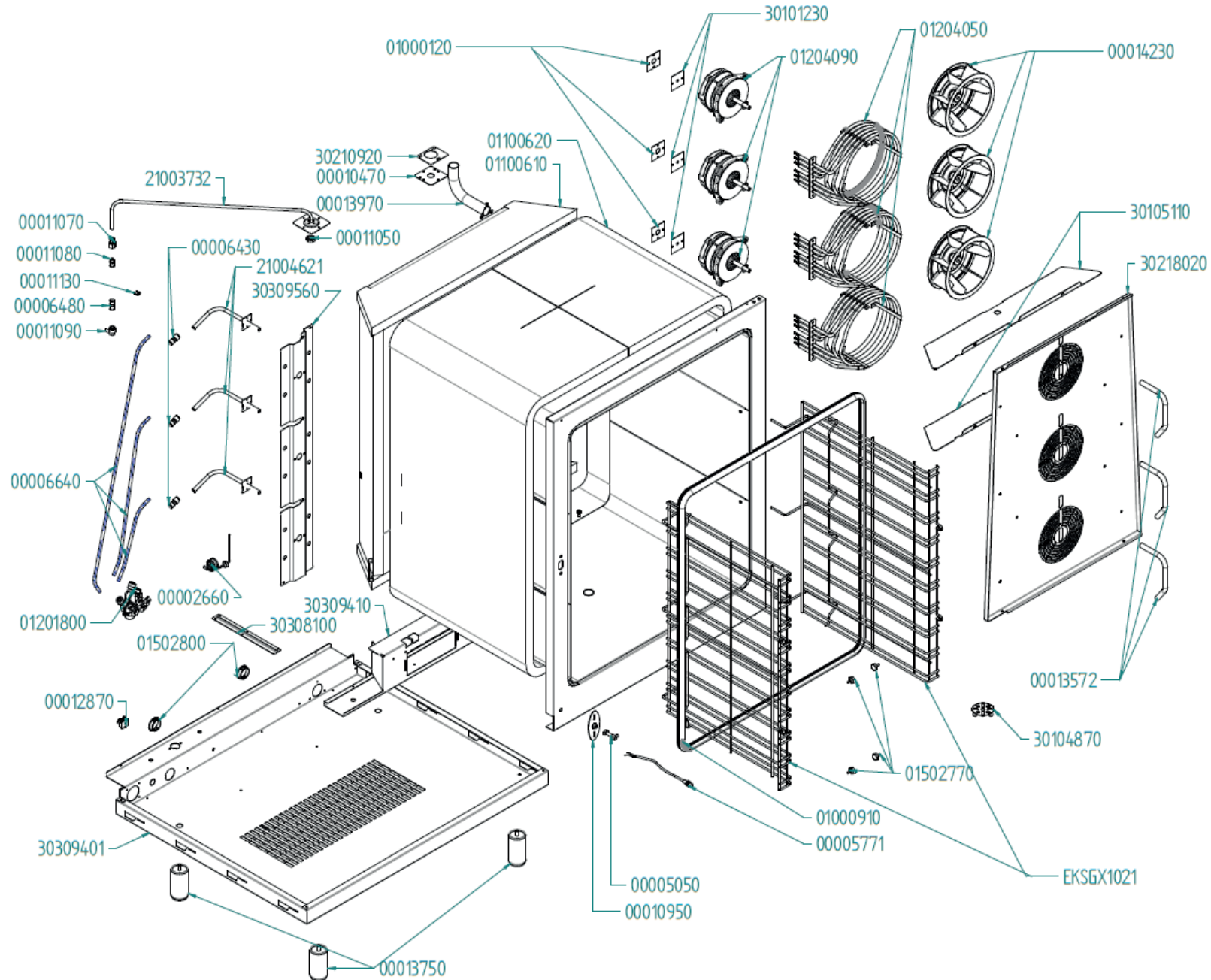




EXPLODED VIEW EKF 1021 E UD

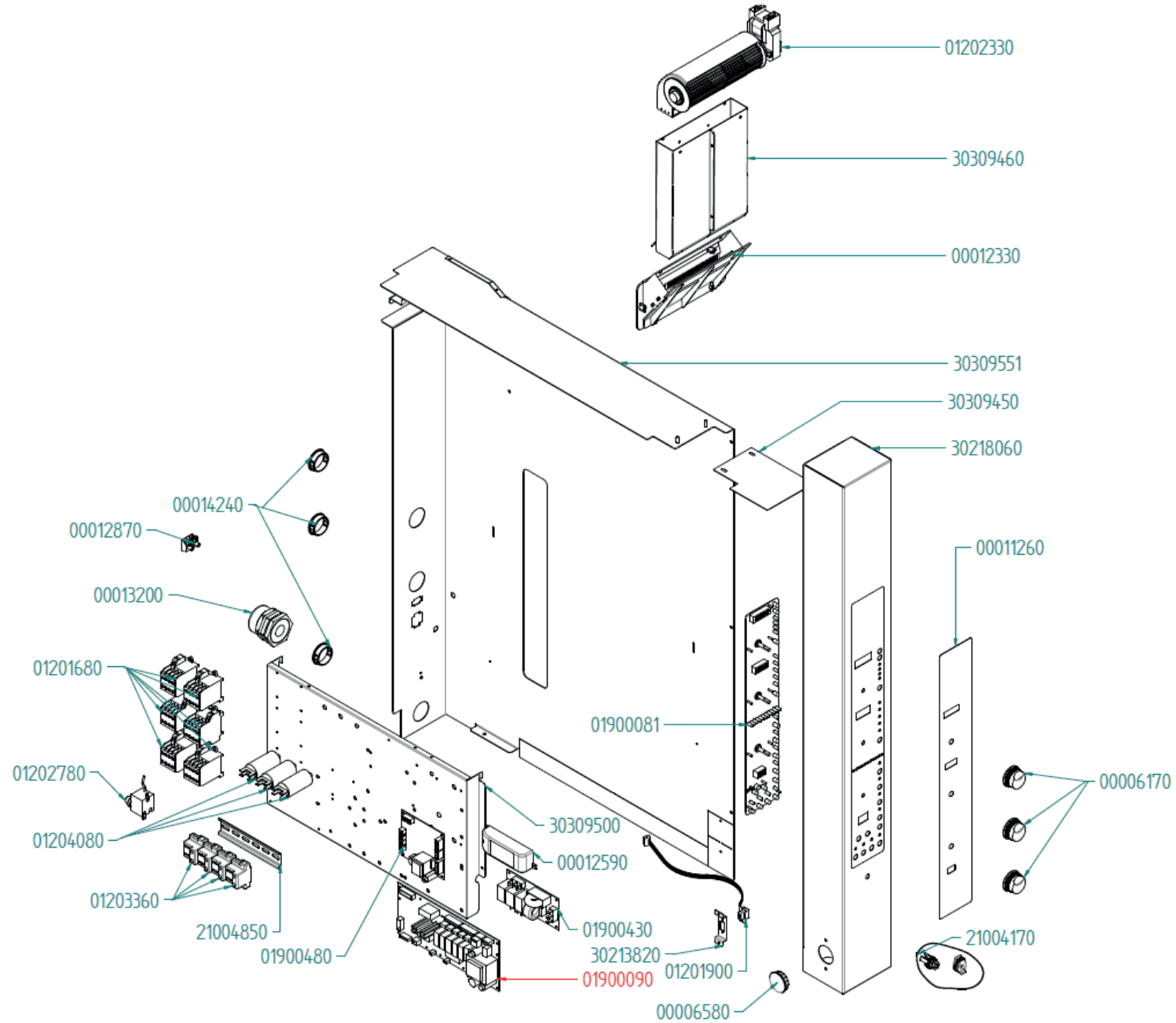


EXPLODED VIEW EKF 1021 E UD



EXPLODED VIEW

EKF 1021 E UD



EXPLODED VIEW

EKF 1021 E UD

