

# KODIAK 30



Gyldig fra maskinnummer:  
Valid from machine number:

**30004484**



## Reservedelsmanual Spare part manual

Version	Maskinr. / Machine no.	Del / Part	Side / Page
102016	30006086	Elkasse montage / el-box mount.	Stativ / Machine column
102016	30006086	Elkasse / el-box	Elkasse / el-box
102016	30006086	print i frontpanel / PCB in front panel	Frontpanel / Front panel
102016	-	El-diagram rettet / el. diagram corrected	El-diagram / Electrical diagram
062017	30006343	Kedeldetektering / Bowl detection	Stativ / Machine column
102017	30006343	El-diagram rettet / el. diagram corrected	El-diagram / Electrical diagram
112017		Nødstop nyt / Emergency stop, new	Frontpanel / Front panel
082018	Round 30006732	Kedel / bowl	Værktøj / accessories
062019	30006980	Generel opdatering / Major update	Generel opdatering / Major update

## Varimixer

Varimixer A/S  
Kirkebjerg Søpark 6  
DK-2605 Brøndby  
Denmark

P: +45 4344 2288  
E: info@varimixer.com  
www.varimixer.com

DK EN

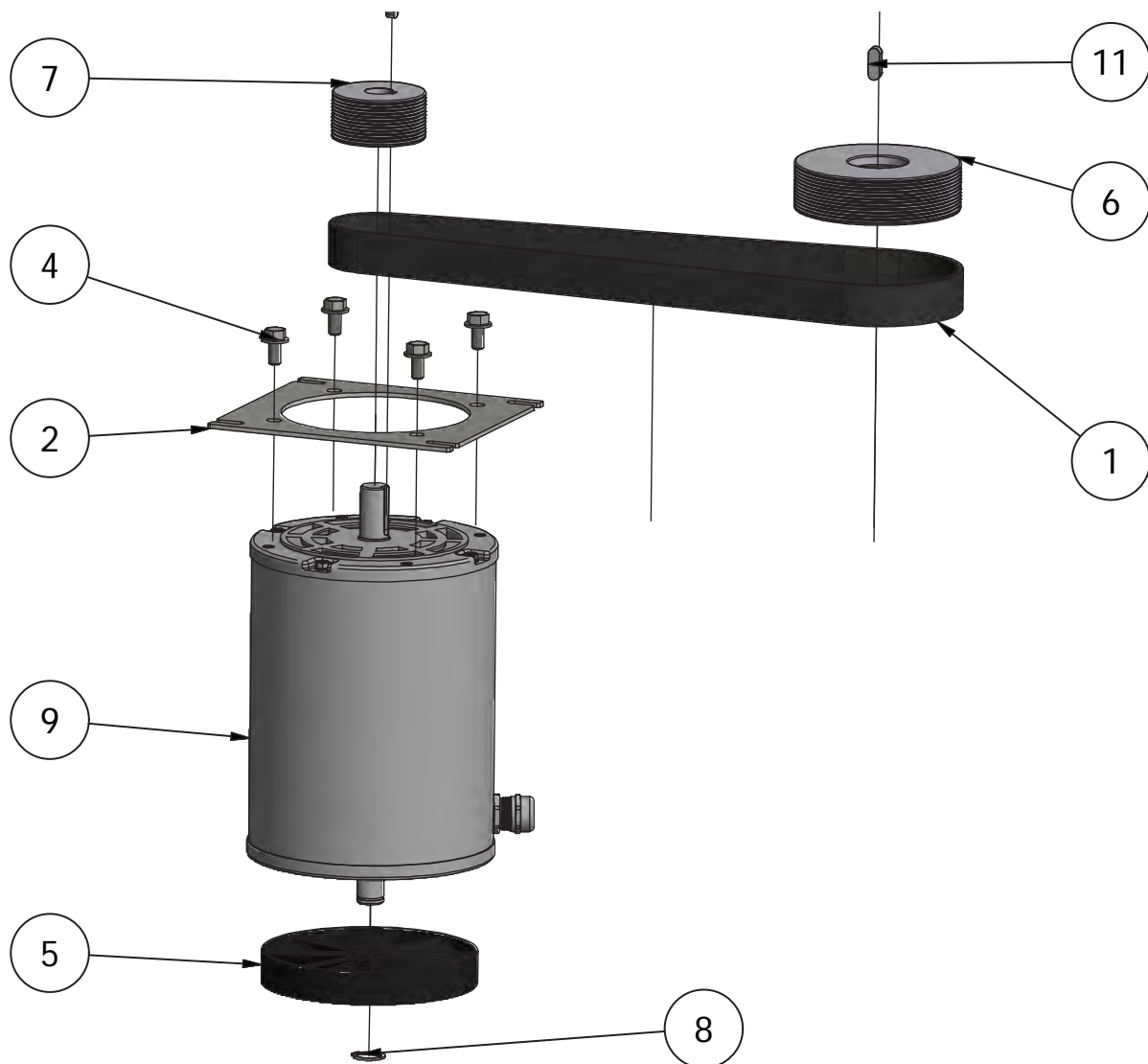
Ordrenummer: 00270  
Juni, 2019

TRANSMISSION fra maskinnr. 30006980.....	TRANSMISSION from machine no. 30006980.....	3
TRANSMISSION til maskinnr. 30006979.....	TRANSMISSION to machine no. 30006979.....	4
LØFTESYSTEM fra maskinnr. 30006980.....	LIFTING SYSTEM from machine no. 30006980.....	5
LØFTESYSTEM til maskinnr. 30006979.....	LIFTING SYSTEM to machine no. 30006979.....	6
RØREHOVED .....	PLANETARY HEAD .....	8
HJÆLPETRÆK fra maskinnr. 30006980.....	ATTACHMENT DRIVE from machine no. 30006980.....	10
HJÆLPETRÆK til maskinnr. 30006979.....	ATTACHMENT DRIVE to machine no. 30006979.....	12
STATIV fra maskinnr. 30006980.....	MACHINE COLUMN from machine no. 30006980.....	14
STATIV mellem nr. 30006343 - 30006979.....	MACHINE COLUMN between 30006343 - 30006979.....	16
STATIV mellem nr. 30006086 - 30006342.....	MACHINE COLUMN between 30006086 - 30006342.....	18
STATIV til maskinnr. 30006085.....	MACHINE COLUMN to machine no. 30006085.....	20
ELKASSE fra maskinnr. 30006980.....	ELECTRIC-BOX from machine no. 30006980.....	22
ELKASSE mellem nr. 30006086 - 30006979.....	ELECTRIC-BOX between 30006086 - 30006979.....	22
ELKASSE til maskinnr. 30006085.....	ELECTRIC-BOX to machine no. 30006085.....	24
FRONTPANEL fra maskinnr. 30006980.....	FRONT PANEL from machine no. 30006980.....	26
FRONTPANEL 30006086 - 30006979.....	FRONT PANEL 30006086 - 30006979.....	27
FRONTPANEL, hj.træk 30006086 - 30006979.....	FRONT PANEL, att. drive 30006086 - 30006979.....	28
FRONTPANEL til maskinnr. 30006085.....	FRONT PANEL to machine no. 30006085.....	29
FRONTPANEL, hj.træk til maskinnr. 30006085.....	FRONT PANEL, att. drive to machine no. 30006085.....	30
KABLER fra maskinnr. 30006980.....	CABLES from machine no. 30006980.....	31
KABLER til maskinnr. 30006979.....	CABLES to machine no. 30006979.....	32
VÆRKTØJ .....	ACCESSORIES .....	33
El-diagram.....	Electrical diagram.....	34

Fra maskinnummer

From machine number

30006980

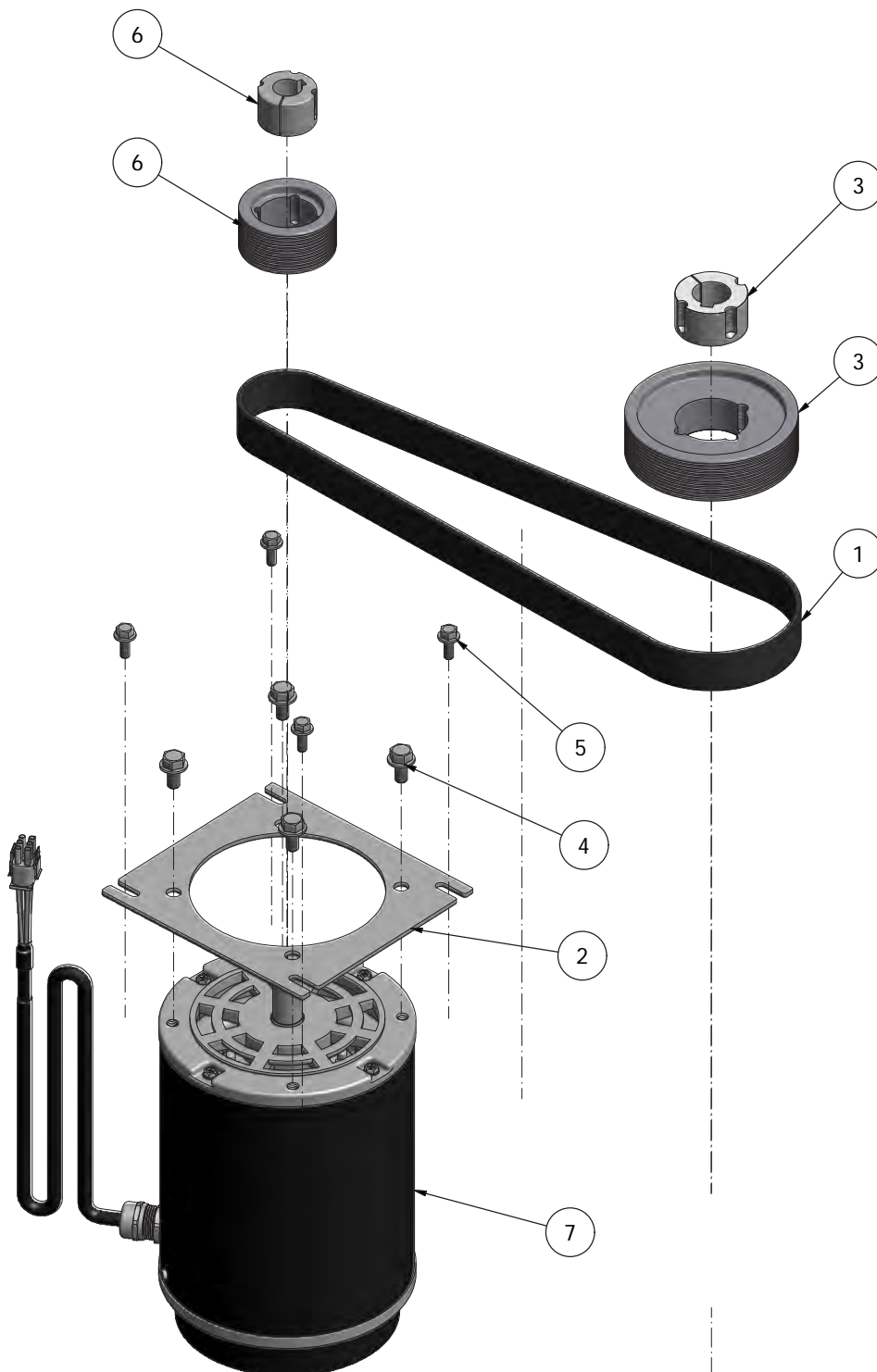


ITEM	Part number	Name	Name UK
1	CR30-90	Micro-V PJ1016-12	Micro-V PJ1016-12
2	CR30-61.3	Motor plade	Mounting plate motor
3	STA3410	Seegerring A25	Circlip A25
4	STA5751	Sekskantskrue med flange M8x16	Hex cap screw M8x16
5	RN20-87.1	Ventilator 1,2kw Headline motor	Fan 1,2kw headline motor
6	CR20-129	Poly-v remskive $\varnothing$ 112 J12	Pulley $\varnothing$ 112 J12
7	CR20-128	Poly-v remskive $\varnothing$ 63 J12	Pulley $\varnothing$ 63 J12
8	STA3407	Seegerring A19	Circlip A19
9	CR30-85.2	Motor 1,5kw	Motor 1,5kw
10	STA2004	Pasfeder AB 6x6x27mm Din6885A	Pasfeder AB 6x6x27mm Din6885A
11	STA2037	Pasfeder A 8x7x22mm Din6885A	Pasfeder A 8x7x22mm Din6885A

Til maskinnummer

To machine number

30006979

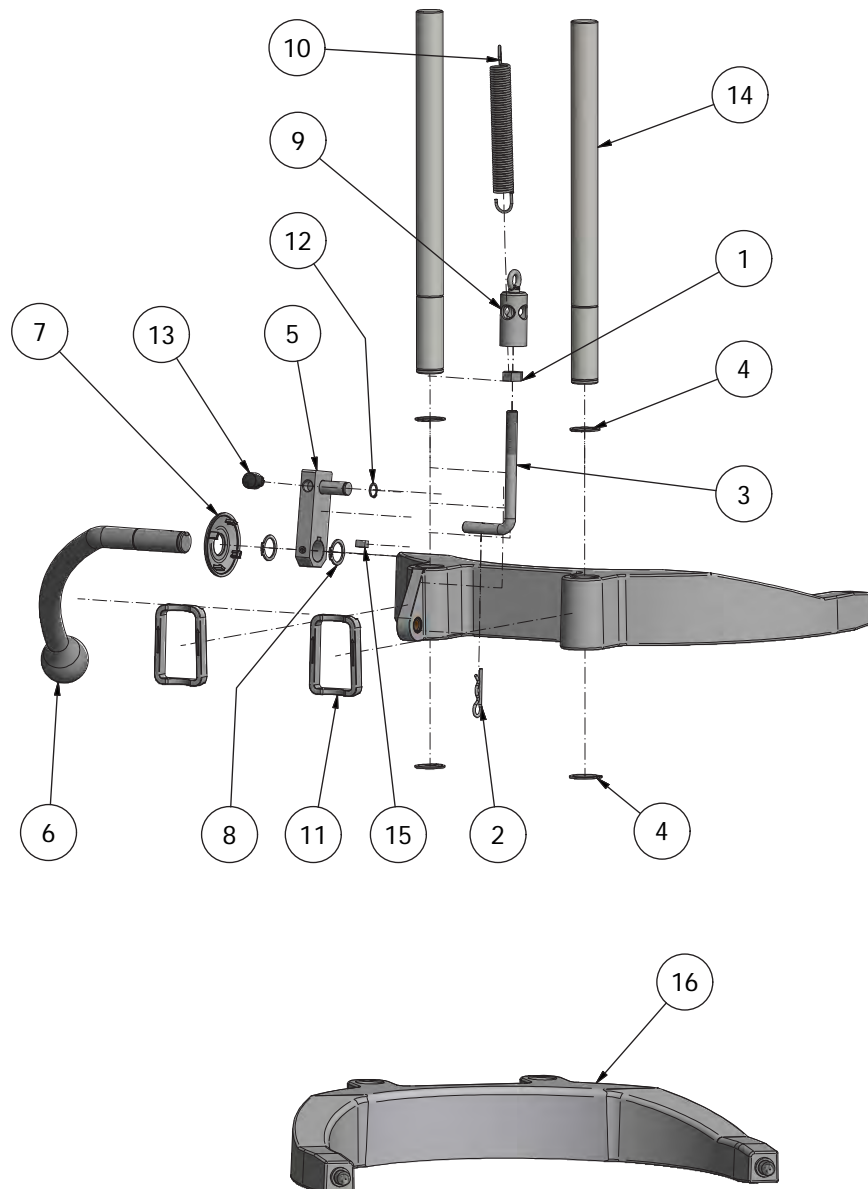


ITEM	QTY	Part number	Name	Name UK	Sælges som/sold as
1	1	CR30-90	Micro-V PJ1016-12	Micro-V PJ1016-12	
2	1	CR30-61.3	Motor plade	Mounting plate motor	
3	1	CR30-129	Remskive $\varnothing$ 112 med bøsning	Pully $\varnothing$ 112 with bush	
4	4	STA5751	Sekskantskrue med flange M8x16	Hex cap screw M8x16	
5	10	STA5750	Sekskantskrue med flange M6x16	Hex cap screw M6x16	
6	1	CR30-128	Remskive $\varnothing$ 63 med bøsning	Pully $\varnothing$ 63 with Bush	
7	1	CR30-85	Motor 1 faset	Motpor 1 phase	

Fra maskinnummer

From machine number

30006980



ITEM	Part number	Name	Name UK
1	STA5806	Møtrik M10 DIN125A A2	Hexagon nut M10 DIN125A A2
2	STA6205	Fjerdersplit $\varnothing 2,5$	Spring cotters for bolt $\varnothing 2,5$
3	CR30-83.1	Løfte bolt	Lifting bolt
4	STA3410	Seegerring A25	Circlip A25
5	CR30-63M	Krumtap arm monteret	Crankshaft
6	CR20-62M	Løftehåndtag samlet	Lifting arm
7	CR30-62.9	Dækprop for løftearm	Cover for liftarm
8	STA3408	Seegerring A20	Retainningring A20
9	CR30-65.1M	Løftebolt monteret	Liftingnut mounted
10	CR20-110	Trækfjeder Kedelløft	Spring bowllift
11	CR20-23.5	NSF Pakning	NSF Gasket
12	STA3403	Seegerring A12	Circlip A12
13	CR30-63.3	Dæmperprop	Absorber plug
14	CR20-68.5	Bøjleleaksel	Shaft
15	STA2019	Pasfeder 6x6x10	Feather Key 6x6x10
16	CR30-23M	Bøjle monteret med tappe/leje	Bowl arm mounted with pins/bushing

Til maskinnummer

To machine number

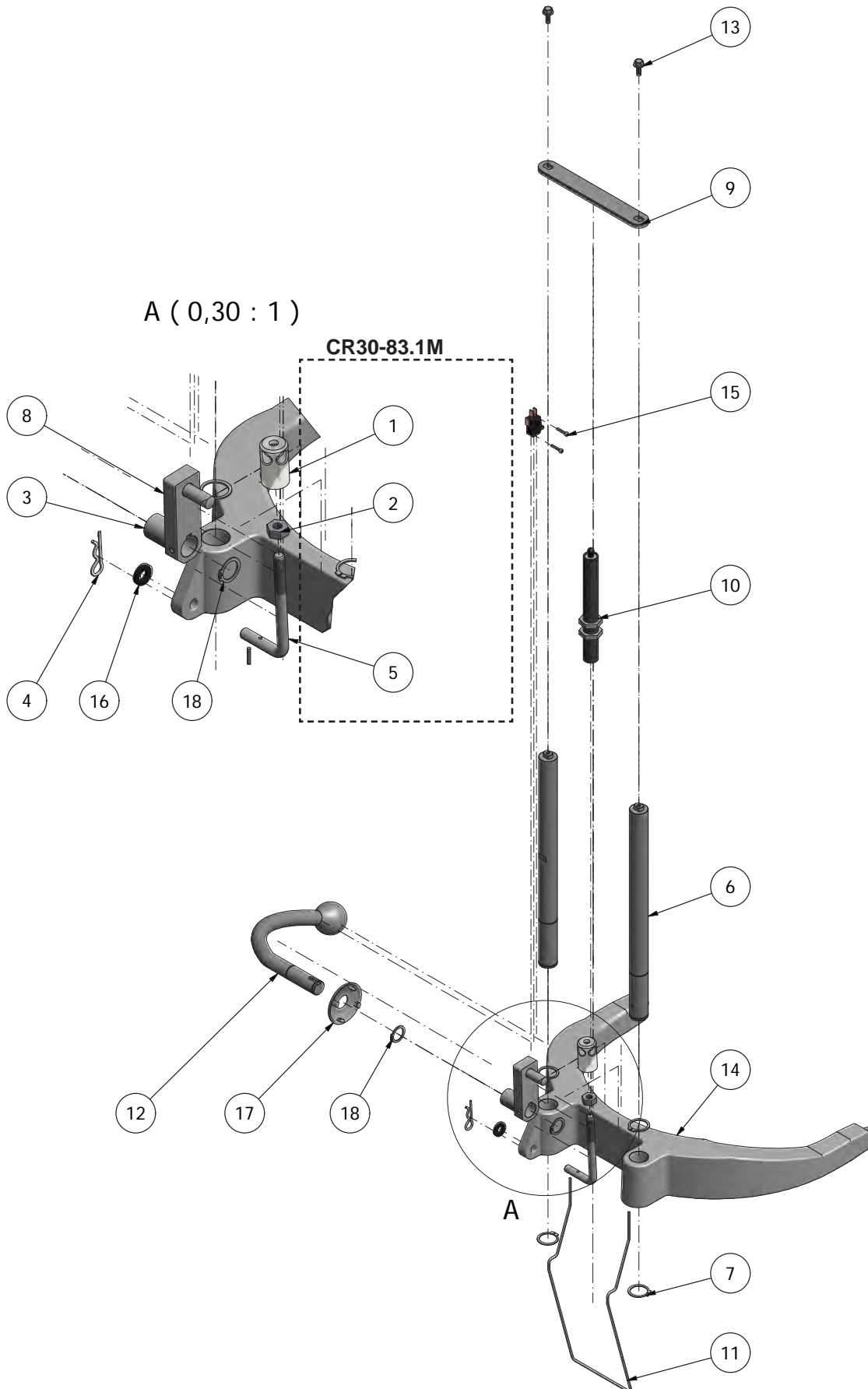
30006979

ITEM	QTY	Part number	Name	Name UK	Sælges som/sold as
1	1	CR30-65.1	Løfte møtrik	Lifting nut	CR30-83.1M
2	1	STA5806	Møtrik M10	Hexagon nut M10	CR30-83.1M
3	1	STA2515	Lejebøsning MB2030DU	Bearing MB2030DU	
4	1	STA6205	Fjerdersplit ø2,5	Spring cotters for bolt ø2,5	
5	1	CR30-83.1	Løfte bolt	Lifting bolt	CR30-83.1M
6	2	CR30-68.5	Bøjleaksel	Shaft	
7	4	STA3410	Seegerring A25	Circlip A25	
8	1	CR30-63M	Krumtap arm monteret	Crankshaft	
9	1	CR30-68.6	Dæmper travers	Absorber crossbar	
10	1	CR30-604	Oljedæmper med Cap	Shock absorber with Cap	
11	1	CR30-310	Fjeder for NSF	Spring wire	
12	1	CR30-62M	Løftehåndtag samlet	Lifting arm	
13	10	STA5750	Sekskantskrue med flange M6x16	Hex cap screw M6x16	
14	1	CR30-23M	30L Bøjle Bearbejdet	30L Bowlarm Machined	
15	4	STA5697	Cylinder skrue M3x16	Socket head screw M3x16	
16	1	STA6006	Skive ø10,5-ø20x4	Flatwasher ø10,5-ø20x4	
17	1	CR30-62.9	Dækprop for løftearm	Cover for liftarm	
18	2	STA3408	Seegerring A20	Retainingring A20	

Til maskinnummer

To machine number

30006979



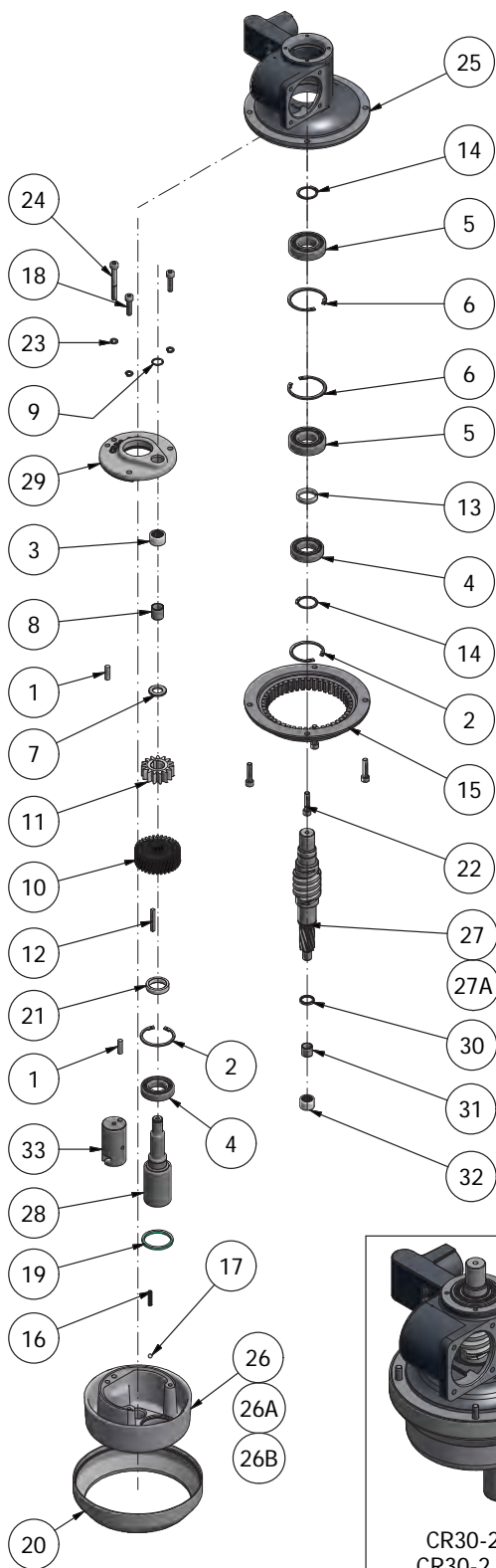
## RØREHOVED

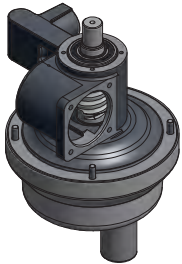
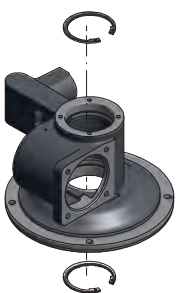
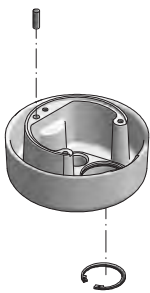
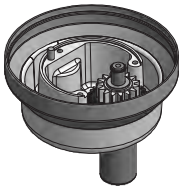



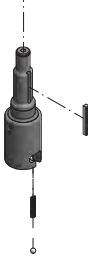


## PLANETARY HEAD

ITEM	QTY	Part number	Name	Name UK
1	1	STA6460	Stift ø8x24-KS4	Dowel pin ø8x24-KS4
2	2	STA3515	Seegerring J55	Retainningring J55
3	1	HK2016	Nåleleje ø20-ø26x16	Needel bearing
4	2	6006 2RS	Sporkugleleje 6006 2RS ø30-ø55x13	Ballring 6006
5	2	6206 2RS	Sporkugleleje 6206 2RS ø30-ø62x16	Ballring 6206
6	2	STA3518	Seegerring J62	Retainningring J62
7	1	R20-235	Aksialskive LS1735	Axial washer
8	1	LR17	Bøsning LR17x20x20,5	Bushing
9	1	STA3470	Springring SW17	Circlip SW17
10	1	R20-32	Mellemhjul 1	Toothwheel 1
11	1	R20-31	Mellemhjul	Toothwheel
12	1	STA2008	Pasfeder 5x5x43	Shaft key
13	1	CR30-37	afstands bøsning f. CR30	Distancering f. CR30
14	2	STA3414	Seegerring A30	Circlip A30
15	1	RN20-1	Tandkrans - bearbejdet	Toothwheel - machined
16	1	R15-109	Fjeder bajonetlås	Spring bajonet
17	1	R20-106	Kugle 1/4"	Ball 1/4"
18	3	STA5626	Cylinder skrue M8x30	Socket head screw M8x30
19	1	CR30-108R	Tætningsring G45x52x4	Sealingring G45x52x4
20	1	RN20-272.1	Svøb 20L	Shawl 20L
21	1	CR30-34	Afstandsring	Distance ring
22	4	STA5638	Cylinder skrue M8x35	Socket head screw M8x35
23	3	STA6055	Fjederskive M8	Helical springlock washer M8
24	1	STA5729	Cylinder skrue M8x65	Socket head screw M8x65
25	1		Sælges som RN20-3.7Z	Sold as RN20-3.7Z
26			Sælges som CR30-2Z	Sold as CR30-2Z
26A	1		Sælges som CR30-2.10Z	Sold as CR30-2.10Z
26B	1		Sælges som CR30-2.11Z	Sold as CR30-2.11Z
27	1		Sælges som CR30-30.5Z	Sold as CR30-30.5Z
27A	1		Sælges som CR30-30.6Z	Sold as CR30-30.6Z
28	1		Sælges som CR30-33Z	Sold as CR30-33Z
29	1		Sælges som CR30-36Z	Sold as CR30-36Z
30	1		Sælges som RN20-101Z	Sold as RN20-101Z
31	1		Sælges som RN20-101Z	Sold as RN20-101Z
32	1		Sælges som RN20-101Z	Sold as RN20-101Z
33	1		Sælges som 42CR20-105Z	Sold as 42CR20-105Z

<b>CR30-2M</b>	Rørehoved komp.	Planetary head compl.
<b>CR30-2.1M</b>	Rørehoved komp. forber. f. skraber	Planetary head compl. prep. f. scraber
<b>RN20-3.7Z</b>	Hovedleje monteret front	Main bearing mounted front
<b>CR30-2Z</b>	Ekcentrikhoved komp.	Eccentric head compl.
<b>CR30-2.10Z</b>	Ekcentrikhoved mont.	Eccentric head assy.
<b>CR30-2.11Z</b>	Ekcentrikhoved mont. forber. f. skr.	Eccentric head assy. prep. f. scr.
<b>CR30-30.5Z</b>	Hovedaksel komp. f. hjælpetræk	Mainshaft assy. for att. drive
<b>CR30-30.6Z</b>	Hovedaksel komp. Ikke f. hjælpetræk	Mainshaft assy. not for att. drive
<b>CR30-33Z</b>	Bajonetaksel kompl.	Bajonetshaft assy.
<b>CR30-36Z</b>	Eksentrisk skive monteret	Exentric disc mounted
<b>RN20-101Z</b>	Nåleleje kompl. BK1816/LR15	Needel bearing comppl. BK1816/LR15
<b>42CR20-105Z</b>	Bajonet for skraber komp.	Bajonet for scraber compl.





 <p>CR30-2M CR30-2.1M</p>	 <p>RN20-3.7Z</p>	 <p>CR30-2Z</p>	 <p>CR30-2.10Z CR30-2.11Z</p>
 <p>42CR20-105Z</p>	 <p>CR30-30.5Z</p>	 <p>CR30-30.6Z</p>	 <p>CR30-33Z</p>
 <p>CR30-36Z</p>  <p>RN20-101Z</p>			

Fra maskinnummer

From machine number

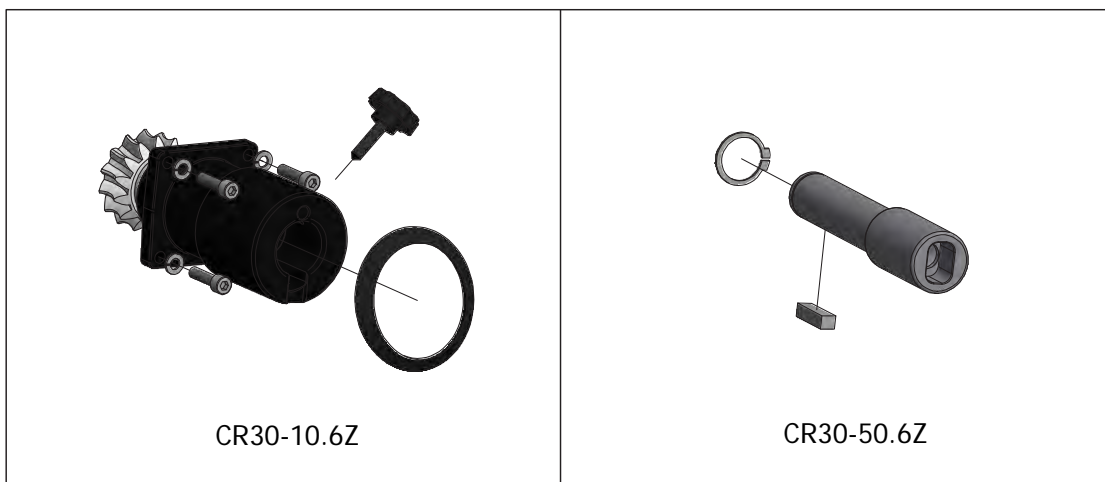
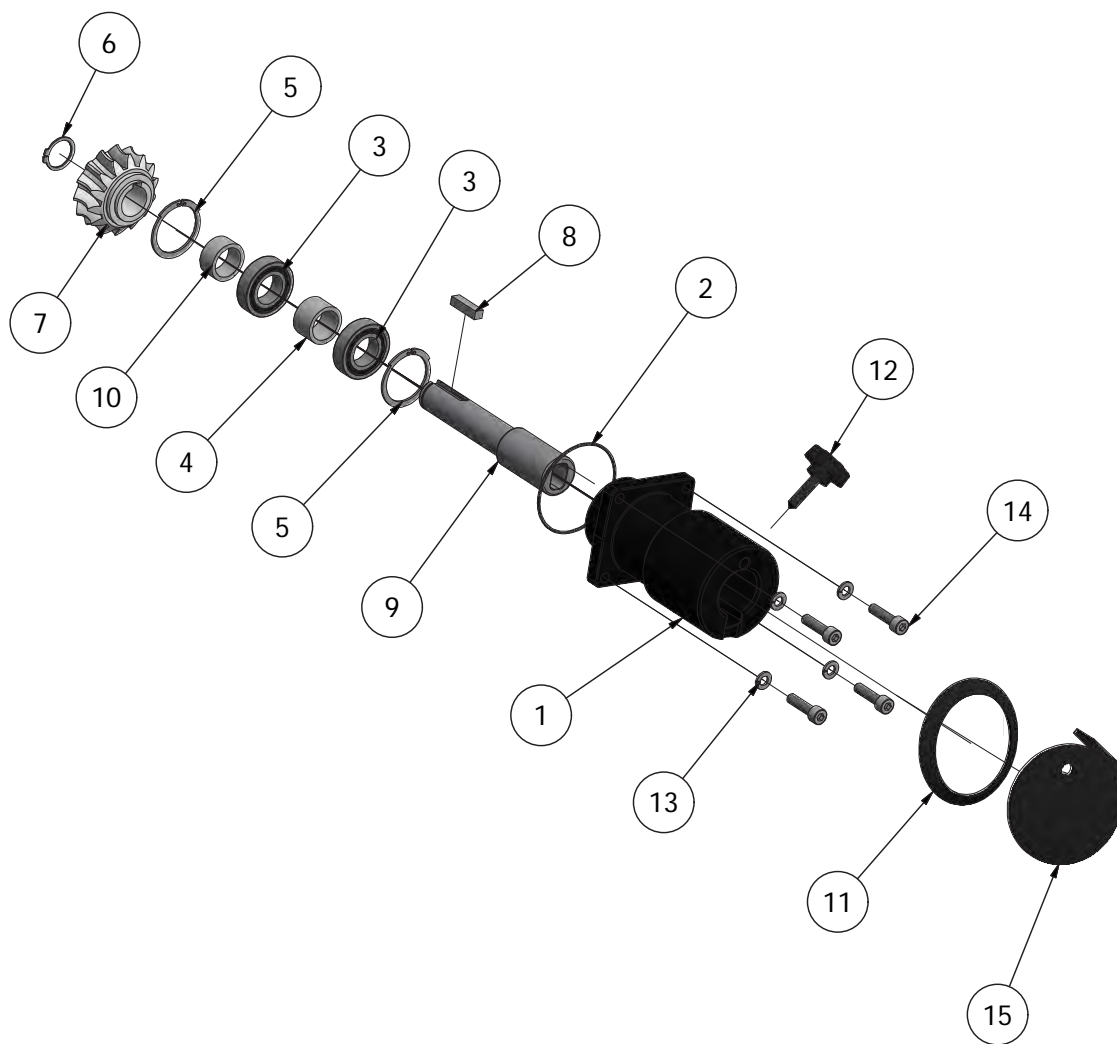
30006980

ITEM	Part number	Name	Name UK
1	CR30-8.6EM	Hjælpetræk #12 FZB & malet sort	Attachment drive #12 FZB & painted black
2	STA3127	O-ring ø66x2	O-ring ø66x2
3	6005 2RS	Sporkugleleje 6005 2RS ø25-ø47x12	Ballring 6005 2RS
4	RN20-37	afstandsøsning	Distance bushing
5	STA3512	Sikringsring J 47x1.75	Circlip Type J 47x1,75
6	STA3410	Seegerring A25	Circlip A25
7	RN20-9	Snekkehjul	Worm wheel
8	STA2031	Pasfeder 8x7x30	Feather Key 8x7x30
9	CR30-50.6R	Hjælpetræksaksel CR30 #12	Attachmentdrive shaft CR30 #12
10	R100-143	Afstandsør	Spacer
11	CR30-211	Hjælpetrækspakning	Attachmentdrive collar
12	4R-125	Håndgreb #12 mellemeleje	Handscrew #12 attachment drive
13	STA6038	Center fjederSkive ø8	Spring lock washer ø8
14	STA5626	Cylinder skrue M8x30	Socket head screw M8x30
15			
	CR30-10.6Z	Hjælpetræk #12 komplet	Attachment drive #12 complete
	CR30-50.6Z	Hjælpetræksaksel komplet	Attachmentdrive shaft CR30 #12 complete

Fra maskinnummer

From machine number

30006980



Til maskinnummer

To machine number

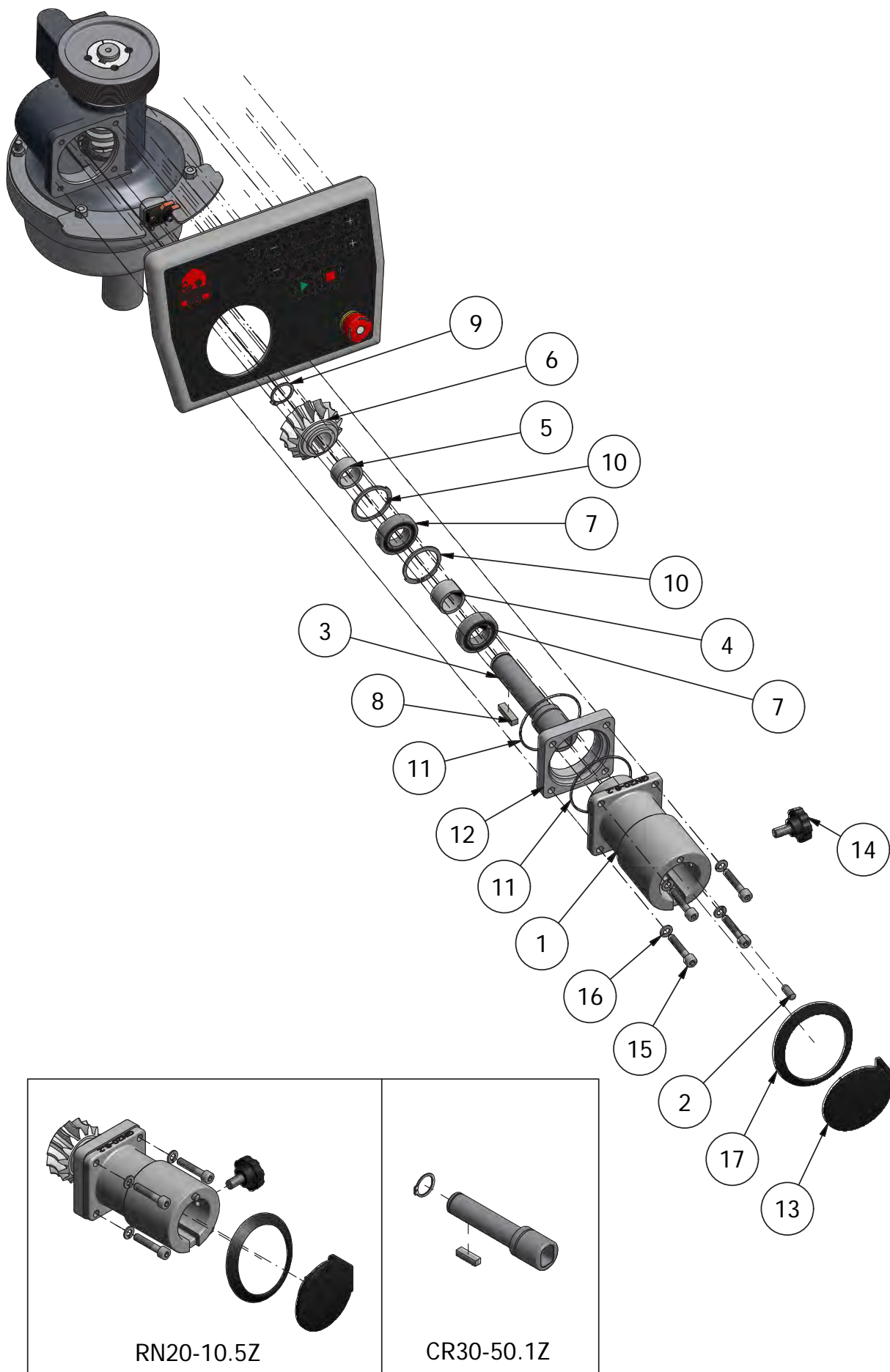
30006979

ITEM	QTY	Part number	Name	Name UK	Sælges som/sold as
1	1	RN20-8.2	Lejehus hjælpetræk bearbejdet	Bearing house machined	RN20-10.5Z
2	1	STA6316	Cylindrisk stift ø8x20 DIN6325	Dowel pin ø8x20 DIN6325	
3	1	CR30-50.1R	Hjælpetræksaksel CR30	Attachmentdrive shaft CR30	CR30-50.1Z
4	1	RN20-37	afstandsøsning	Distance bushing	
5	1	R100-143	Afstandsør	Spacer	
6	1	RN20-9	Snekkehjul	Worm wheel	
7	2	6005 2RS	Sporkugleleje 6005 2RS ø25-ø47x12	Ballring 6005 2RS	
8	1	STA2031	Pasfeder 8x7x30	Feather Key 8x7x30	
9	1	STA3410	Seegerring A25	Circlip A25	
10	2	STA3512	Sikringsring J 47x1.75	Circlips Type J 47x1,75	
11	2	STA3127	O-ring ø66x2	O-ring ø66x2	
12	1	CR30-8.4	Hjælpetræksadaptor	Attachmentdrive adaptor	
13	1	R15-215	Blinddæksel	Blindcover	
14	1	STA5561	M10 Fingerskrue	M10 Handscrew	
15	3	STA5636	Cylinder skrue M8x40	Socket head screw M8x40	
16	4	STA6038	Center fjederSkive ø8	Spring lock washer ø8	
17	1	R15-211	Gummiring	Rubber ring	

Til maskinnummer

To machine number

30006979



RN20-10.5Z

CR30-50.1Z

Fra maskinnummer

From machine number

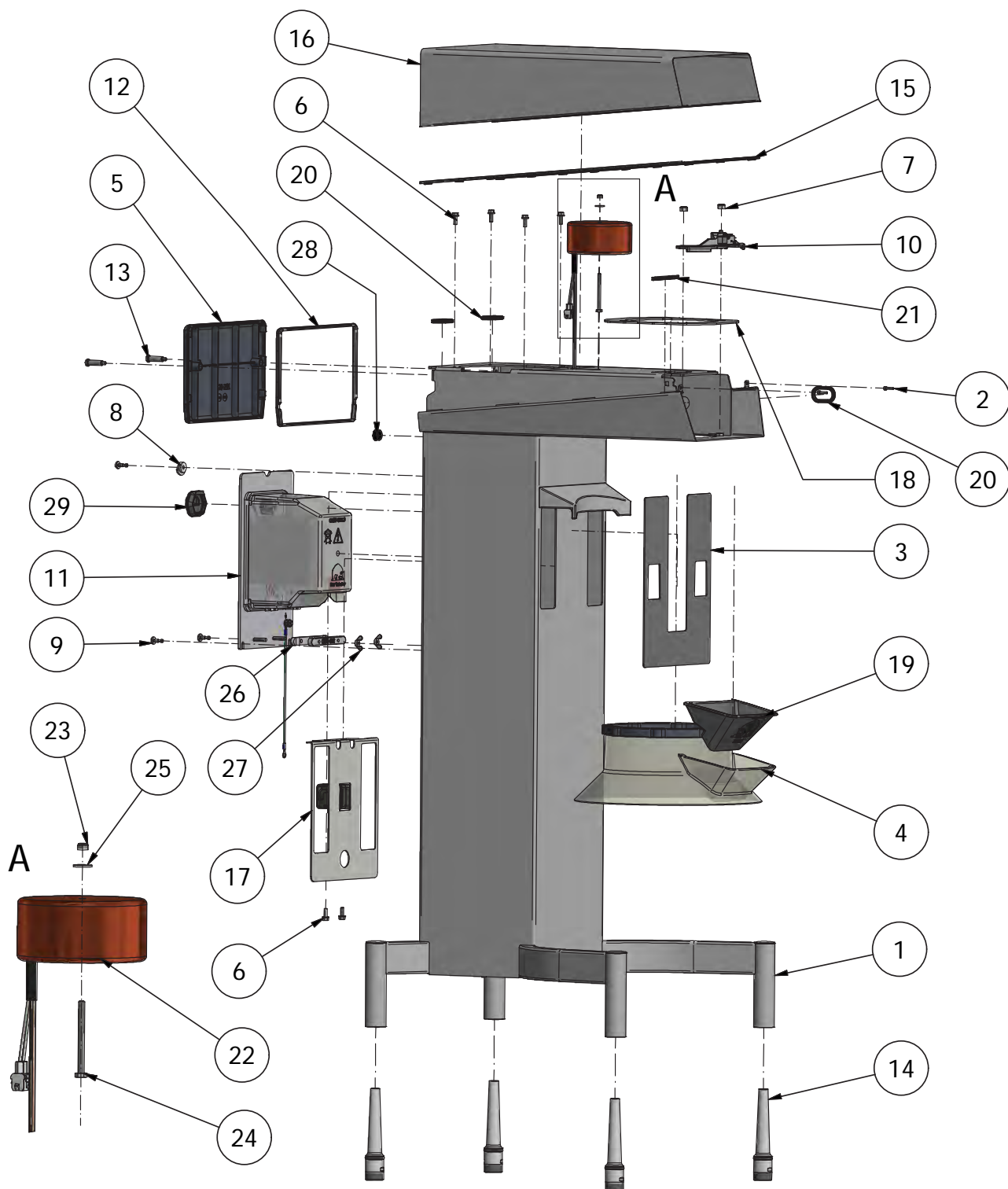
30006980



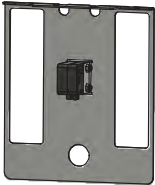
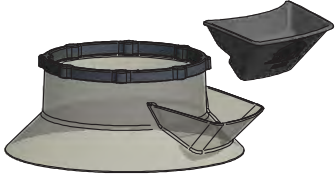
ITEM	Part number	Name	Name UK	Bruges til / Used for
1	CR30-22.3R	CR30 Gulvmodel welded	CR30 Floormodel welded	
2	STA5707	Cylinder skrue M4x16	Socket head screw M4x16	
3	CR30-304	NSF plade	NSF Coverplate	
4	56CR30P-22	Aftagelig plast skærm	Removeable plastic cover	
5	CR20-291	Bagpanel	Backpanel	
6	STA5750	Sekskantskrue med flange M6x16	Hex cap screw M6x16	
7	STA5842	Låsemøtrik M8	Hexagon locknut M8	
8	CR30-22.18	Vrider	Wring	
9	STA5028	M6x20 Captive marineskrue	M6 Captive marinescrew	
10	56CR20-110M	Switchbeslag komplet	Switchbracket complete	
11	CR30-552.4M	Frekvensomformer 1,5KW-230V monteret	Frequencyconverter 1,5KW-230V complete	
12	CR20-291.22	Pakning bag panel	Gasket back panel	
13	STA9008	M6 o-ring Marineskrue	M6 o-ring Marine screw	
14	CR20-218	Justerbart ben	Adjustable leg	
14A	CR20-218R	Justerbart ben MARINE	Adjustable leg MARINE	
15	CR20-551	Pakning låg	Gasket top cover	
16	CR20-21R	Låg	Top cover	
17	56CR20-111M	Kedeldetekteringsbeslag gulv	Bowldetectionbracket floor	
18	56CR20-109	Microswitch ring	Microswitch ring	
19	56CR30-280	Indfyldningstragt CR30	Fillingtray CR30	
20	STA3175	Gennemføringstyle oval	Grommet ovale	
21	STA3175.1	Gennemføringstyle oval	Grommet ovale	
22	CR20-430	Trafo RTA1600 0-100-115-120V/240V	Trafo RTA1600 0-100-115-120V/240V	100/115/120V
22A	CR20-430.2	Trafo RTA1600 - 0-200-208V/240V 1600VA	Trafo RTA1600 - 0-200-208V/240V 1600VA	200/208V
22B	CR30-430.3	Trafo RTA1600 0-380-480V/240V 1600VA	Trafo RTA1600 0-380-480V/240V 1600VA	400/440/480V
23	STA5837	Låsemøtrik M6 Rustfri	Lock Nut M6 A2	
24	STA5316	Sekskantskrue M6x70	Hex cap screw M6x70	
25	STA6014	Skive ø6,4/ø12.5x1,6	Flatwasher ø6,4/ø12.5x1,6	
26	CR30-602	Skærm beslag	Shield bracket	
27	STA5803	Vingemøtrik M6	Wingnut M6	
28	STA6517	Dækprop sort ø20,6	Plog black ø20,6	
29	CR10-554	Pakning bykabel	Gasket powersupply	

Fra maskinnummer

From machine number

30006980



<p>56CR20-110M</p> 	<p>CR20-218R</p> 	<p>56CR20-111M</p> 	<p>56WR30-280 56CR30-22</p> 
--	--	--	---

Fra og til maskinnummer

From and to machine number

30006343 - 30006979

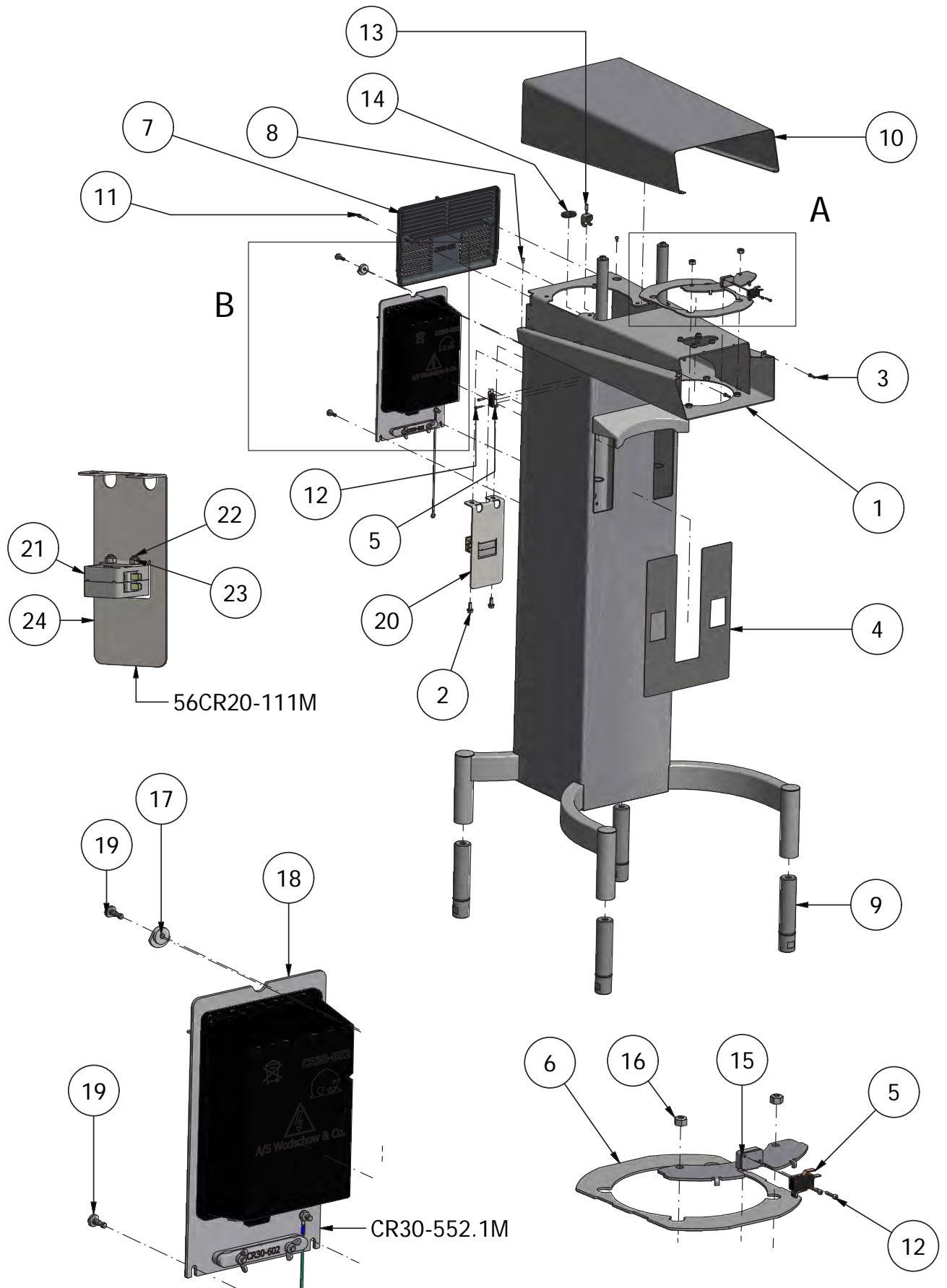
ITEM	QTY	Part number	Name	Name UK	Sælges som/ Sold as
1	1	CR30-22.1R	Rørehoved plade overdel	Planetaryhead plate upper part	
2	15	STA5750	Sekskantskrue med flange M6x16	Hex cap screw M6x16	
3	4	STA5707	Cylinder skrue M4x16	Socket head screw M4x16	
4	1	CR30-304	NSF plade	NSF Coverplate	
5	2	56SN20-31	Mikro switch CE U83160.7	Micro switch CE U83160.7	
6	1	56CR30-109	Microswitch ring	Microswitch ring	
7	1	CR30-291	Ventilationscover	Ventilationcover	
8	2	STA5700	Cylinder skrue M4x6	Socket head screw M4x6	
9	4	CR30-218	Justerbart ben	Adjustable leg	
10	1	CR30-21R	Låg	Top cover	
11	3	STA5714	Cylinder skrue M4x30	Socket head screw M4x30	
12	4	STA5697	Cylinder skrue M3x16	Socket head screw M3x16	
13	1	STA3103	Skærm klemme	Shield Clamp	
14	1	STA3104	Gennemføringstykke ø25,5	Rubber cable gland ø25,5	
15	1	56CR30-110	Microswitch beslag	Microswitch bracket	56CR30-110M
16	2	STA5842	Låsemøtrik M8	Hexagon locknut M8	
17	1	CR30-22.18	Vrider	Wring	
18	1	CR30-22.17A	Bagplade ETL - standard	Backplate ETL - Standard	CR30-552.1M
19	3	STA5028	M6x20 Captive marineskrue	M6 Captive marinescrew	
20	1	56CR20-111M	Switch kedeldetektering med beslag	Switch bowl detection on bracket	
21	1	56CR10-112	Switchhus nedre	Switchhouse lower part	
22	2	STA5319	Sekskantskrue M6x35	Hex cap screw M6x35	
23	2	STA5837	Låsemøtrik M6 Rustfri	Lock Nut M6 A2	
24	1	CR20-75.20	Kedel detektor beslag CR20	Bowl detection bracket CR20	



Fra og til maskinnummer

From and to machine number

30006343 - 30006979



Fra og til maskinnummer

From and to machine number

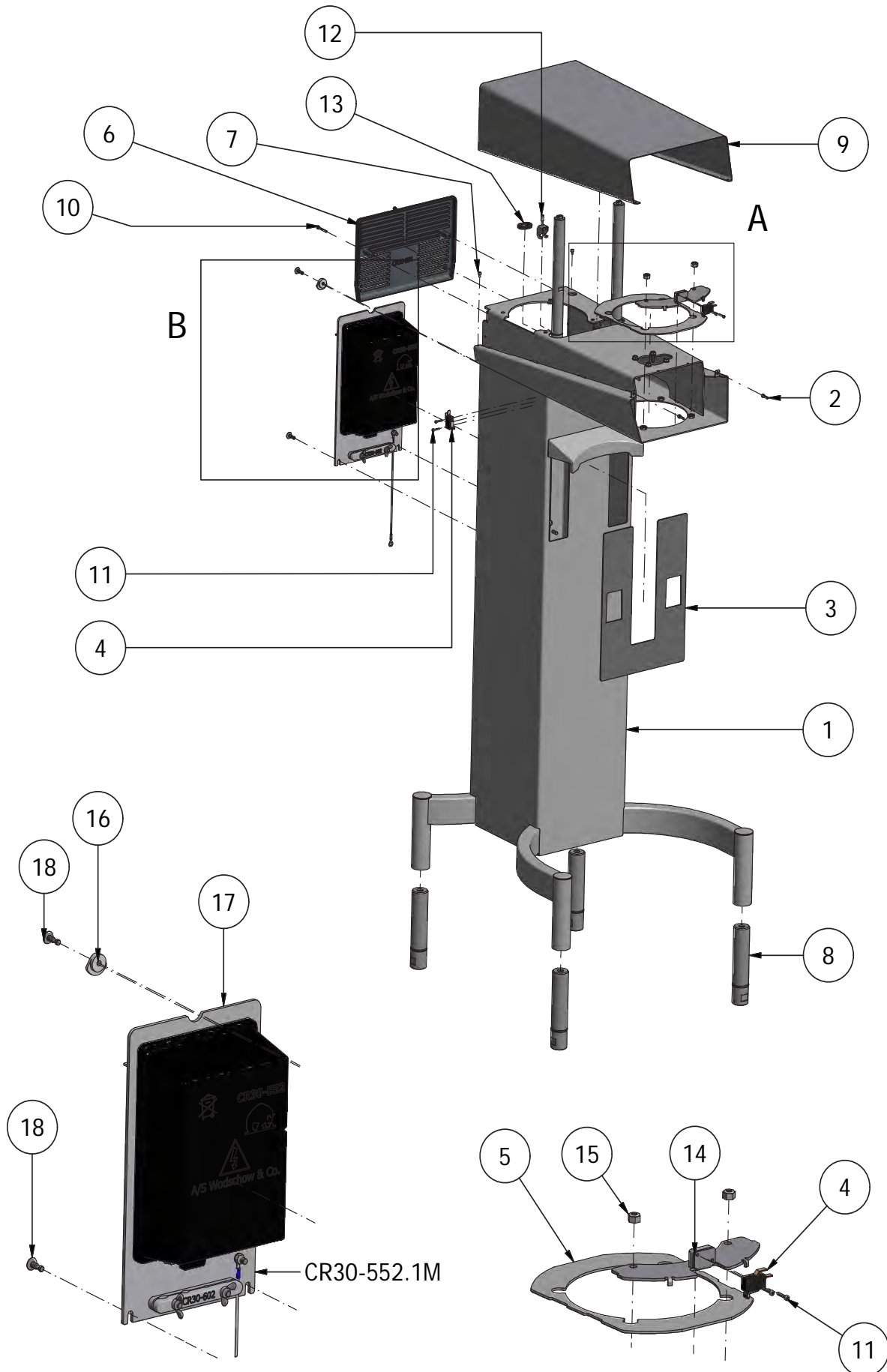
30006086 - 30006342

ITEM	Part number	Name	Name UK	Sælges som/ Sold as
1	CR30-22R	Stativ	Machineframe welded	
2	STA5712	Cylinder skrue M4x16	Socket head screw M4x16	
3	CR30-304	NSF plade	NSF Coverplate	
4	56SN20-31	Mikro switch CE U83160.7	Micro switch CE U83160.7	
5	56CR30-109	Microswitch ring	Microswitch ring	
6	CR30-291	Ventilationscover	Ventilationcover	
7	STA5700	Cylinder skrue M4x6	Socket head screw M4x6	
8	CR30-218	Justerbart ben	Adjustable leg	
9	CR30-21R	Låg	Top cover	
10	STA5714	Cylinder skrue M4x30	Socket head screw M4x30	
11	STA5697	Cylinder skrue M3x16	Socket head screw M3x16	
12	STA3103	Skærm klemme	Shield Clamp	
13	STA3104	Gennemføringstykke ø25,5	Rubber cable gland ø25,5	
14	56CR30-110	Microswitch beslag	Microswitch bracket	56CR30-110M
15	STA5842	Låsemøtrik M8	Hexagon locknut M8	
16	CR30-22.18	Vrider	Wring	
17	CR30-22.17A	Bagplade ETL - standard	Backplate ETL - Standard	CR30-552.1M
18	STA5028	Fladrundhoved Captive skrue M6x20	Thrust head Captive screw M6x20	
19	CR30-25.1	Gulv beslag CR	Floor bracket CR	CR30-25.1Z

Fra og til maskinnummer

From and to machine number

30006086 - 30006342

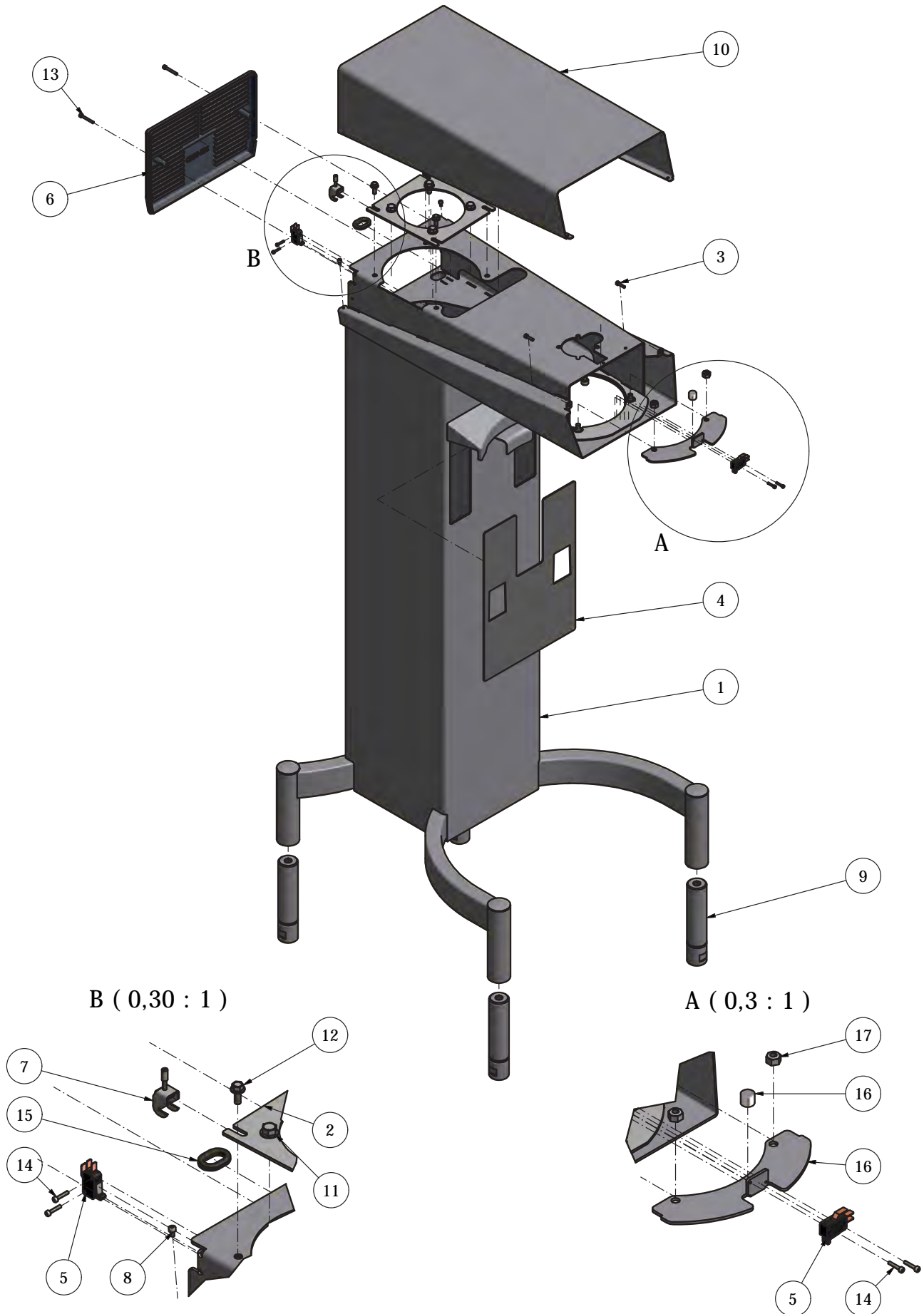


Til maskinnummer

To machine number

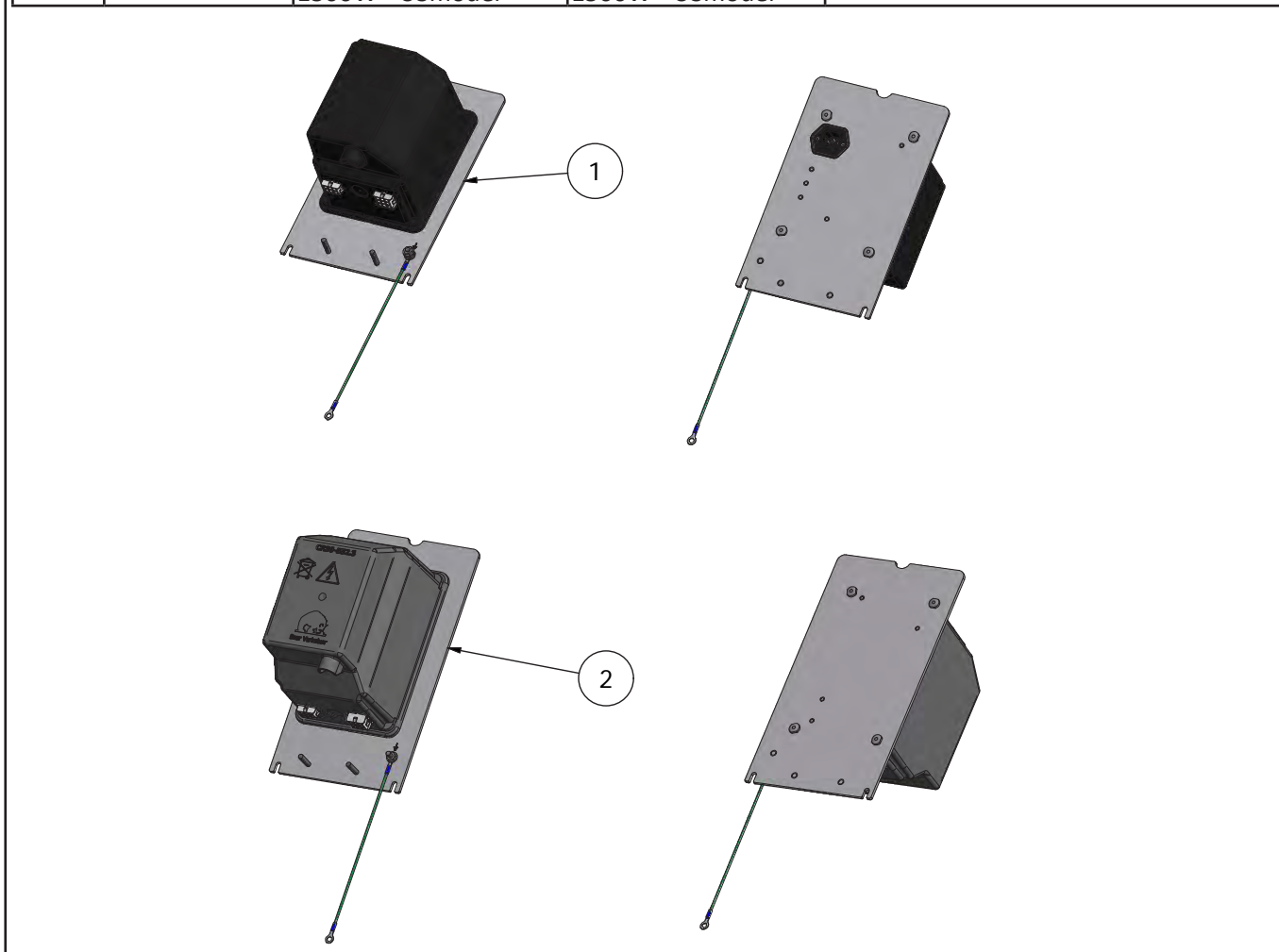
30006085

ITEM	QTY	Part number	Name	Name UK	Sælges som/ sold as
1	1	CR30-22R	Stativ svejst	Machineframe welded	
2	1	CR30-61.3	Motor plade	Mounting plate motor	
3	2	STA5712	Cylinder skrue M4x16	Socket head screw M4x16	
4	1	CR30-304	NSF plade	NSF Coverplate	
5	2	56SN20-31	Mikro switch EC	Micro switch EC	
6	1	CR30-291	Ventilationscover	Ventilationcover	
7	1	STA3103	Skærm klemme	Shield Clamp	
8	2	STA5700	Cylinder skrue M4x6	Socket head screw M4x6	
9	4	CR30-218	Justerbart ben	Adjustable leg	
10	1	CR30-21R	Låg	Top cover	
11	4	STA5751	Sekskantskrue med flange M8x16	Hex cap screw M8x16	
12	10	STA5750	Sekskantskrue med flange M6x16	Hex cap screw M6x16	
13	3	STA5714	Cylinder skrue M4x30	Socket head screw M4x30	
14	4	STA5697	Cylinder skrue M3x16	Socket head screw M3x16	
15	1	STA3104	Gennemføringstykke ø25,5	Rubber cable gland ø25,5	
16	1	56CR30-110M	Switch beslag komplet	Switch bracket complete	
17	2	STA5842	Låsemøtrik M8	Hexagon locknut M8	



<b>Fra maskinnummer</b>	<b>From machine number</b>
<b>30006980</b>	

ITEM	Part number	Name	Name UK	Bruges til / Used for
1	CR30-552.4M	Frekvensomformer 1500W-230V	Frequency converter 1500W-230V	230V
2	WR30-552.4M	Frekvensomformer 1500W - USmodel	Frequency converter 1500W - USmodel	100/115/120/200/208/400/440/480V



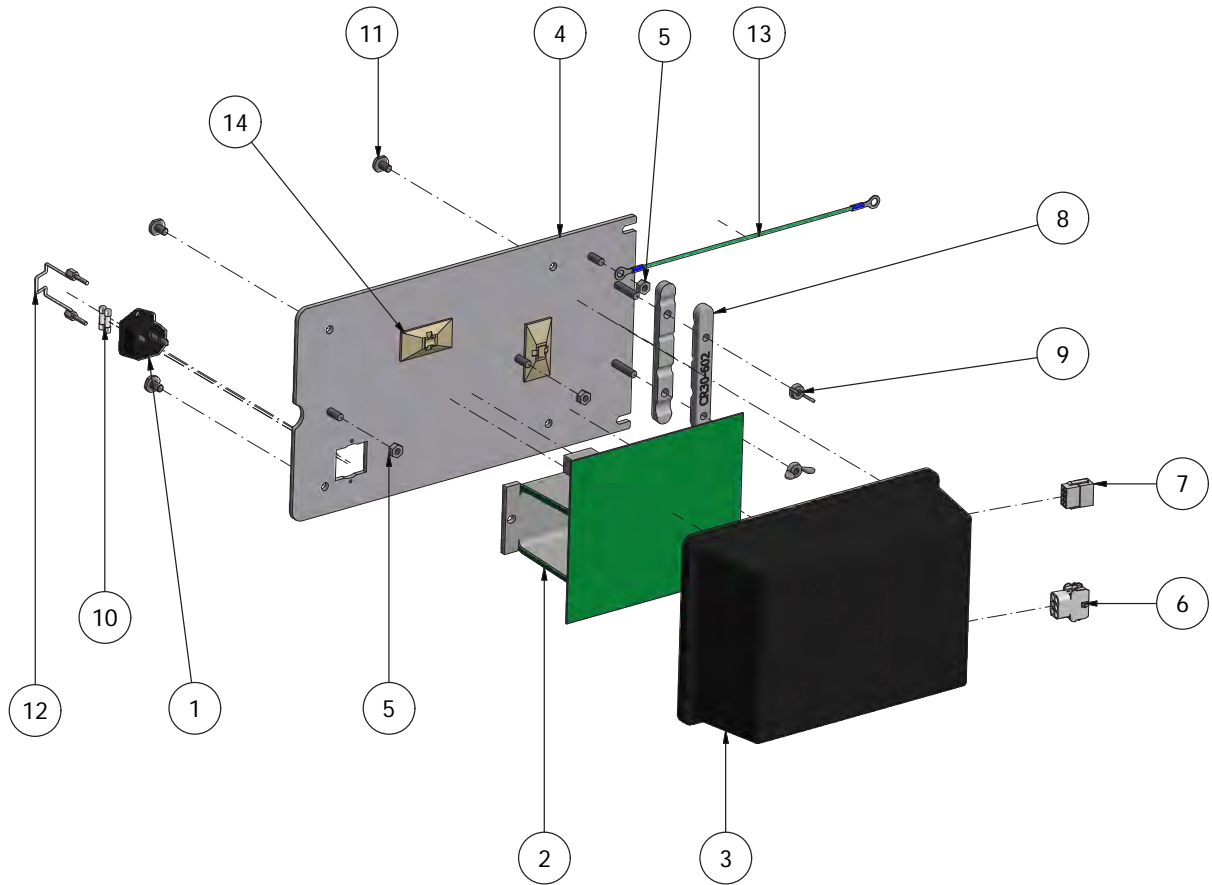
<b>Fra og til maskinnummer</b>	<b>From and to machine number</b>
<b>30006086 - 30006979</b>	

ITEM	Part number	Name	Name UK	Sælges som/ Sold as
1	STA7210	Stik brønd	Socket	
2	CR30-601	Frekvensomformer	Inverter	
3	CR30-552	Bagkasse frekvensomformer	Converter box	
4	CR30-22.17A	Bagplade ETL - Standard	Backplate old model	
5	STA5819	Møtrik M6	Hexagon nut M6	
6	R20E-410.16	Tyco AMP connector 926682-3 (6P-female)	Tyco AMP connector 926682-3 (6P-female)	CR30-194.26M
7	R20E-410.8	Mini Fit Jr. 39-01-2081 (8P-Male)	Mini Fit Jr. 39-01-2081 (8P-Male)	CR30-194.26M
8	CR30-602	Skærm beslag	Shield bracket	
9	STA5803	Vingemøtrik M6	Wingnut M6	
10	RN20E-418.9	Sikring 10Amp	Fuse 10Amp	
11	STA9000	M6x10 specielskrue	M6x10 Special screw	
12	STA7211	Sikringslås 43mm	Clips 43mm	
13	CR30-194.7M	Jordkabel med Ringkabelsko M6	Grounding cable with connectors M6	
14	STA6161	Kabelholder selvklæbende 3M nr.790	Cable Holder self-adhesive 3M 790	
15	CR30-552.1M	Bagkasse frekvensomformer ETL mont.	Box converter ETL complete	CR30-552.1M

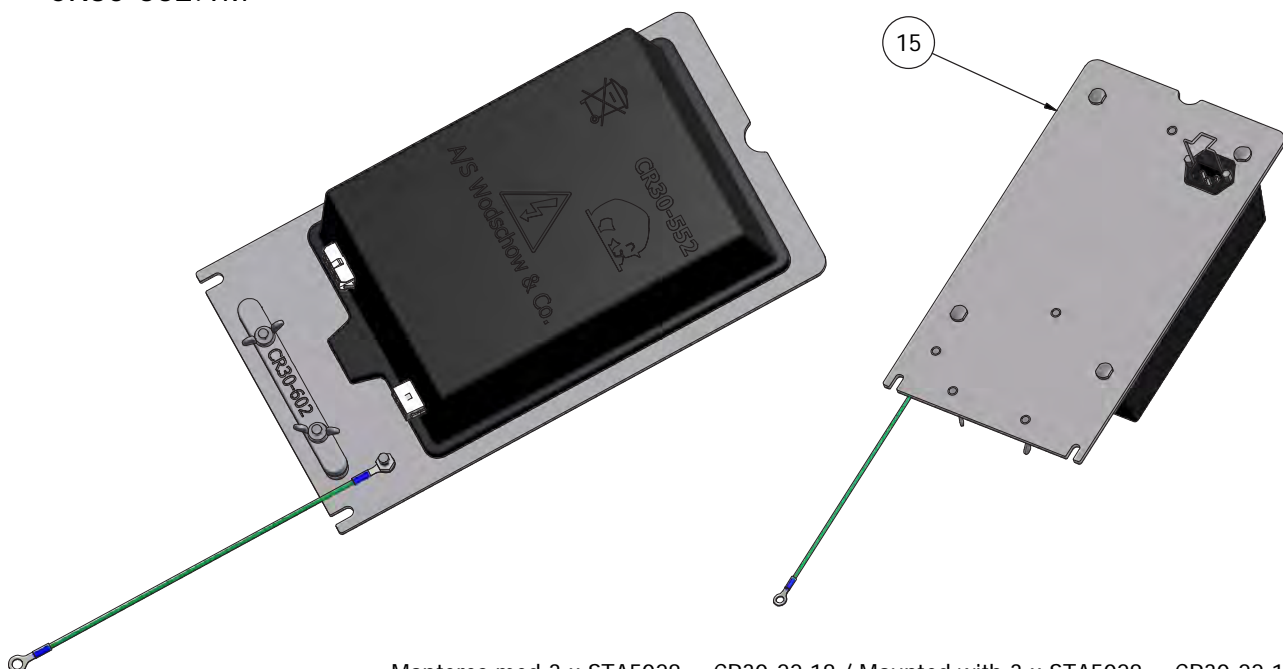
Fra og til maskinnummer

From and to machine number

30006086 - 30006979



CR30-552.1M



Monteres med 3 x STA5028 + CR30-22.18 / Mounted with 3 x STA5028 + CR30-22.18

Til maskinnummer

To machine number

30006085

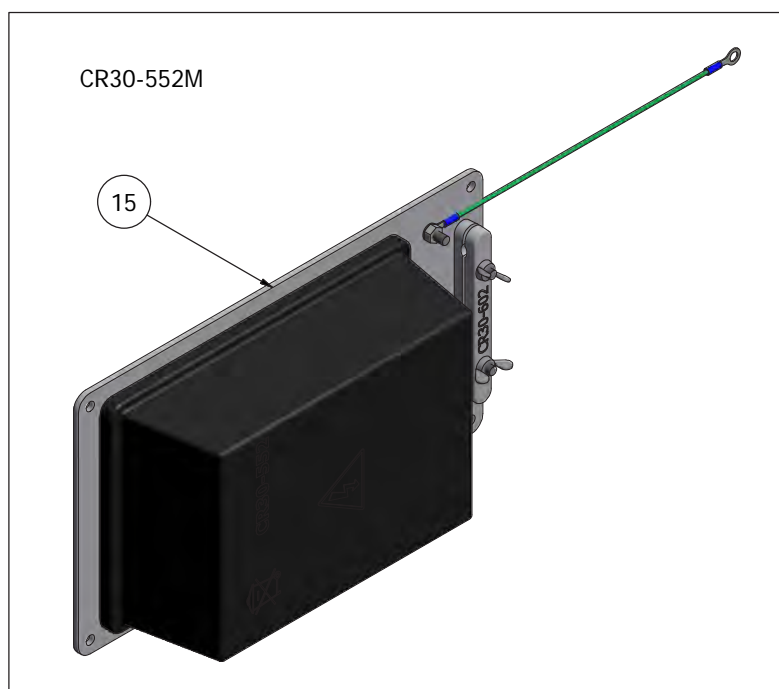
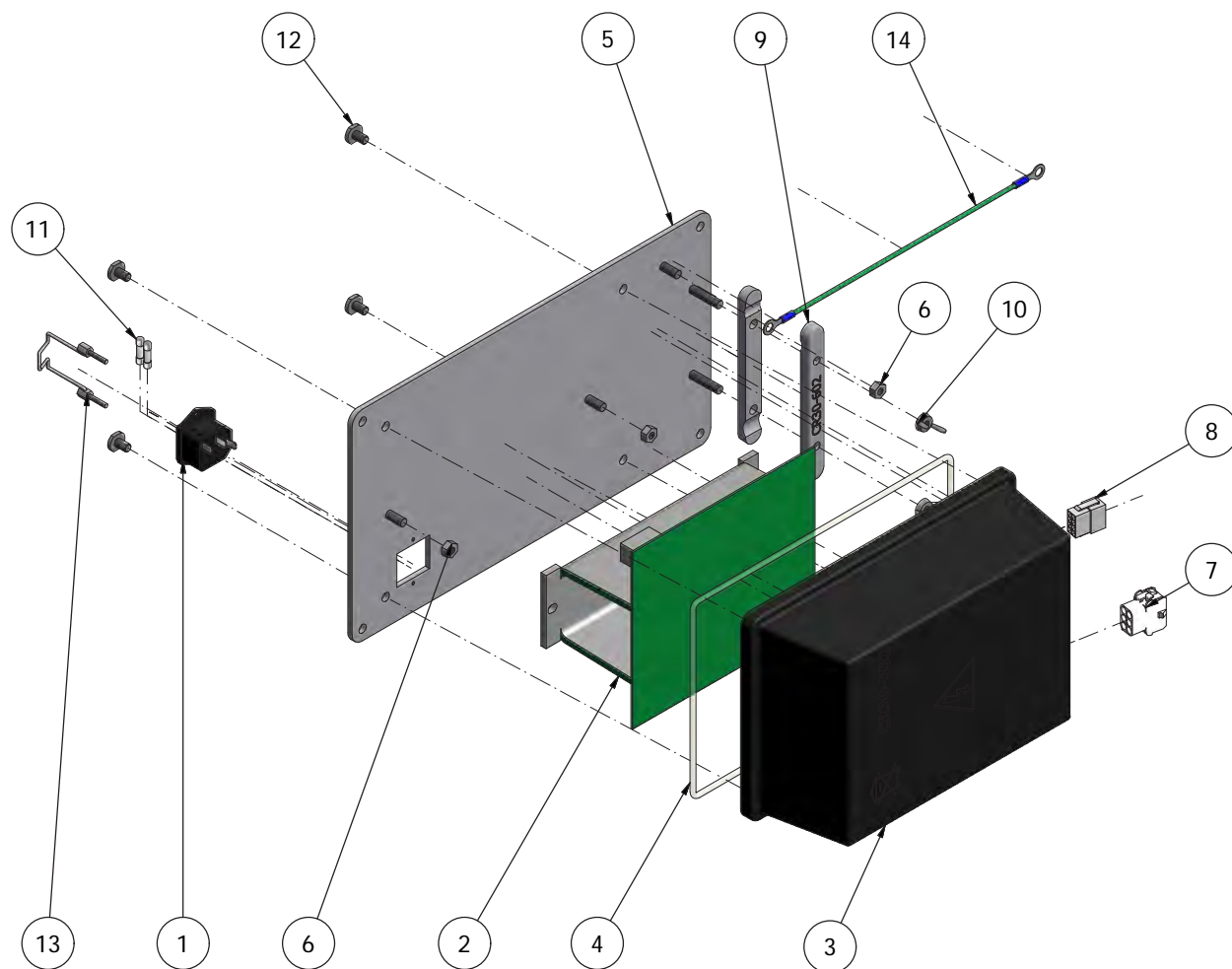
ITEM	Part number	Name	Name UK	Sælges som/ Sold as
1	STA7210	Stik brønd	Socket	
2	CR30-601	Frekvensomformer	Inverter	
3	CR30-552	Bagkasse frekvensomformer	Converter box	
4	STA3140	o-ring snor ø4	o-ring cord ø4	
5	CR30-22.17	Bagplade (Gl. model)	Backplate old model	
6	STA5819	Møtrik M6	Hexagon nut M6	
7	R20E-410.16	Tyco AMP connector 926682-3 (6P-female)	Tyco AMP connector 926682-3 (6P-female)	CR30-194.26M
8	R20E-410.8	Mini Fit Jr. 39-01-2081 (8P-Male)	Mini Fit Jr. 39-01-2081 (8P-Male)	CR30-194.26M
9	CR30-602	Skærm beslag	Shield bracket	
10	STA5803	Vingemøtrik M6	Wingnut M6	
11	RN20E-418.9	Sikring 10Amp	Fuse 10Amp	
12	STA9000	M6x10 specielskrue	M6x10 Special screw	
13	STA7211	Sikringslås 43mm	Clips 43mm	
14	CR30-194.7M	Jordkabel med Ringkabelsko M6	Grounding cable with connectors M6	
15	CR30-552M	Bagkasse frekvensomformer monteret	Box converter complete	CR30-552M



Til maskinnummer

To machine number

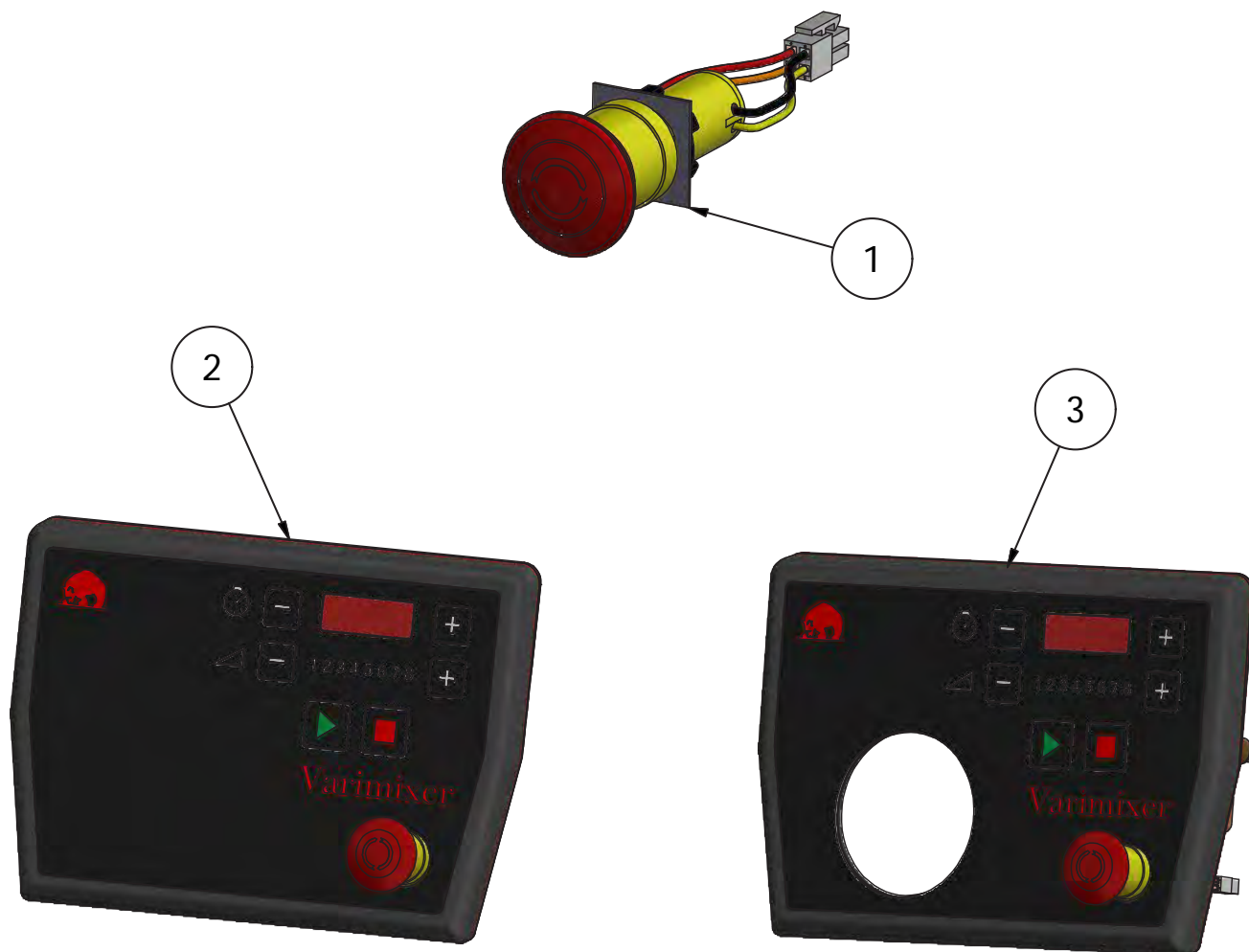
30006085



Fra maskinnummer

From machine number

30006980



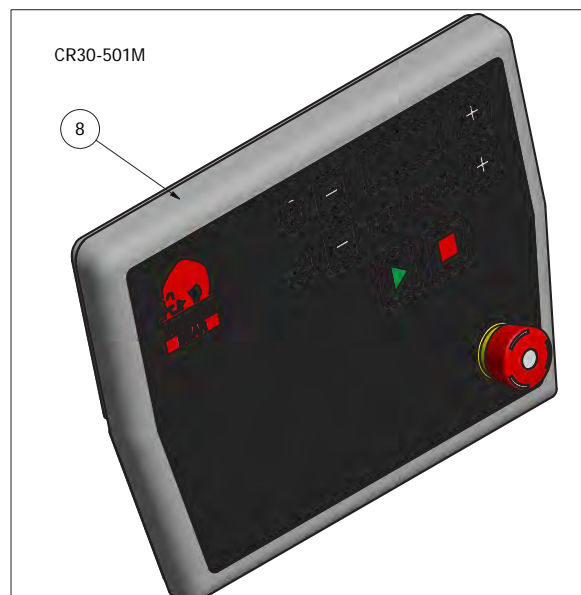
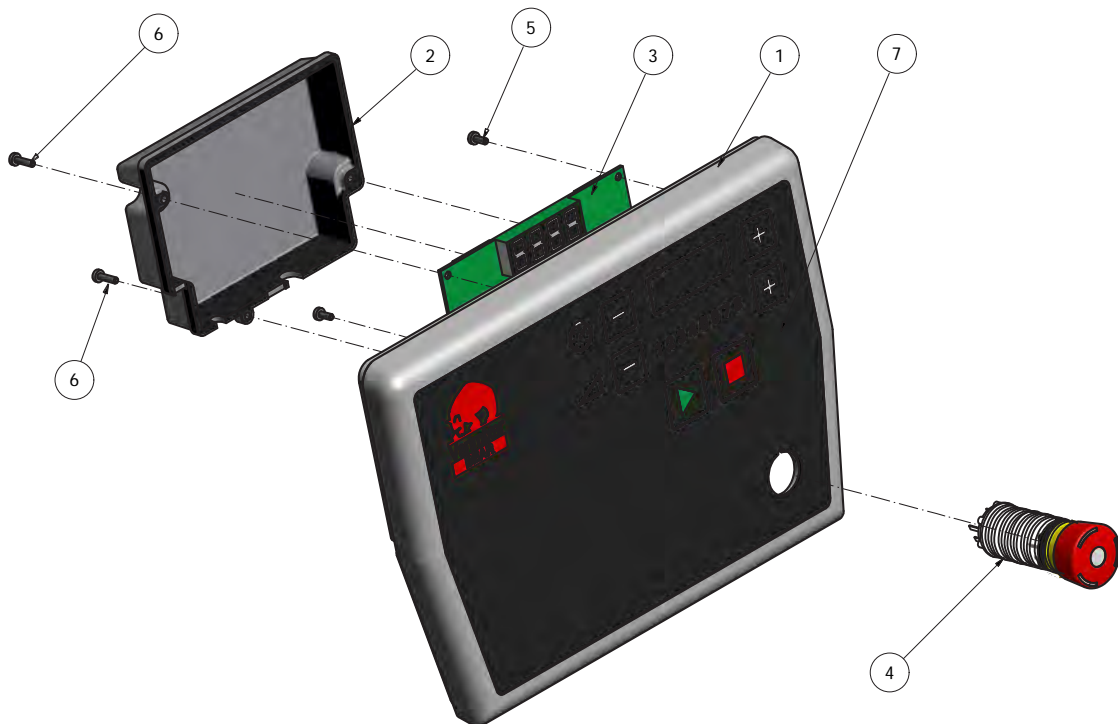
No.	Part number	Navn DK	Name UK	Bruges til / Used for
1	CR10-174.35Z	Nødstop komplet	Emergency stop complete	All
2	CR30-501.4M	Frontpanel monteret	Frontpanel mounted	All
3	CR30-501.5M	Frontpanel m. Hjælpetræk monteret	Frontpanel Attachment drive mounted	All

Fra og til maskinnummer

From and to machine number

30006086 - 30006979

ITEM	QTY	Part number	Name	Name UK	Sælges som/sold as
1	1	CR30-650.20	Front panel	Front panel	
2	1	CR30-553	Bagkasse kontrolprint	Controllerprint box	
3	1	CR30-501	Controlprint	Controlprint	
4	1	CR10-174.35	Nødstop	Emergency stop	
5	2	STA5762	Panhovedeskruer torx M3x8	pan head screw M3x8	
6	3	STA5763	Panhovedeskruer torx M3x12	pan head screw M3x12	
7	1	CR30-149	Frontfolie	Frontfoil	
8	1	CR30-501M	Frontpanel komplet	Frontpanel complete	

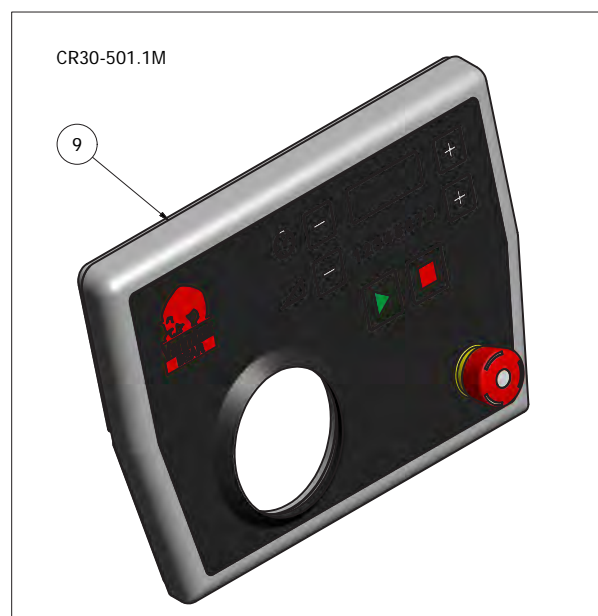
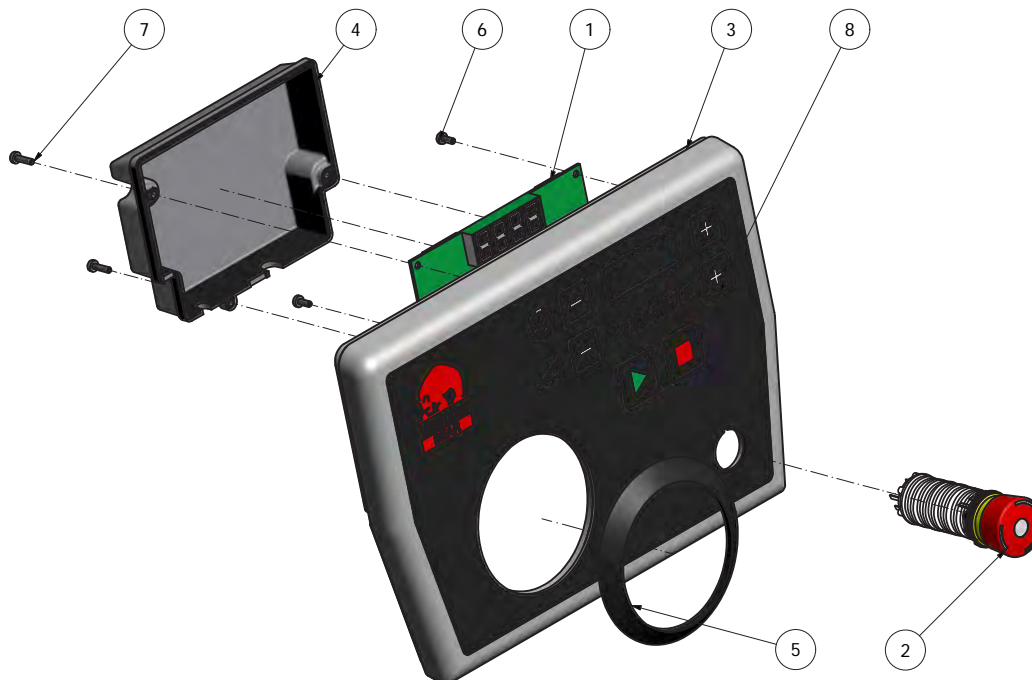


Fra og til maskinnummer

From and to machine number

30006086 - 30006979

ITEM	QTY	Part number	Name	Name UK	Sælges som/sold as
1	1	CR30-501	Controlprint	Controlprint	
2	1	CR10-174.35	Nødstop	Emergency stop	
3	1	CR30-650.20	Front panel	Front panel	
4	1	CR30-553	Bagkasse kontrolprint	Controllerprint box	
5	1	CR30-211	Hjælpetrækspakning	Attachmentdrive collar	
6	2	STA5762	Panhovedeskruer torx M3x8	pan head screw M3x8	
7	3	STA5763	Panhovedeskruer torx M3x12	pan head screw M3x12	
8	1	CR30-149.1	Frontfolie HJT	Frontfoil HJT	
9	1	CR30-501.1M	Frontpanel komplet	Frontpanel complete	

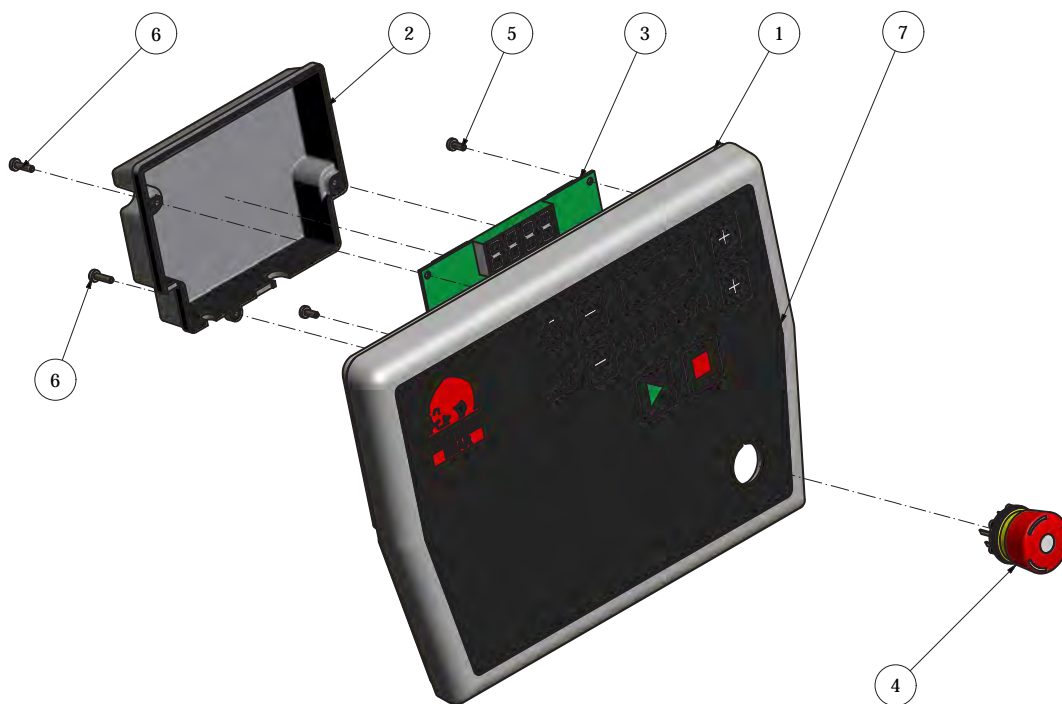


Til maskinnummer

To machine number

30006085

ITEM	QTY	Part number	Name	Name UK	Sælges som/sold as
1	1	CR30-650.20	Front panel	Front panel	
2	1	CR30-553	Bagkasse kontrolprint	Controllerprint box	
3	1	CR30-561	Controlprint	Controlprint	
4	1	CR10-174.11	Nødstop	Emergency stop	
5	2	STA5762	Panhovedeskruer torx M3x8	pan head screw M3x8	
6	3	STA5763	Panhovedeskruer torx M3x12	pan head screw M3x12	
7	1	CR30-149	Frontfolie	Frontfoil	
8	1	CR30-561M	Frontpanel komplet	Frontpanel complete	

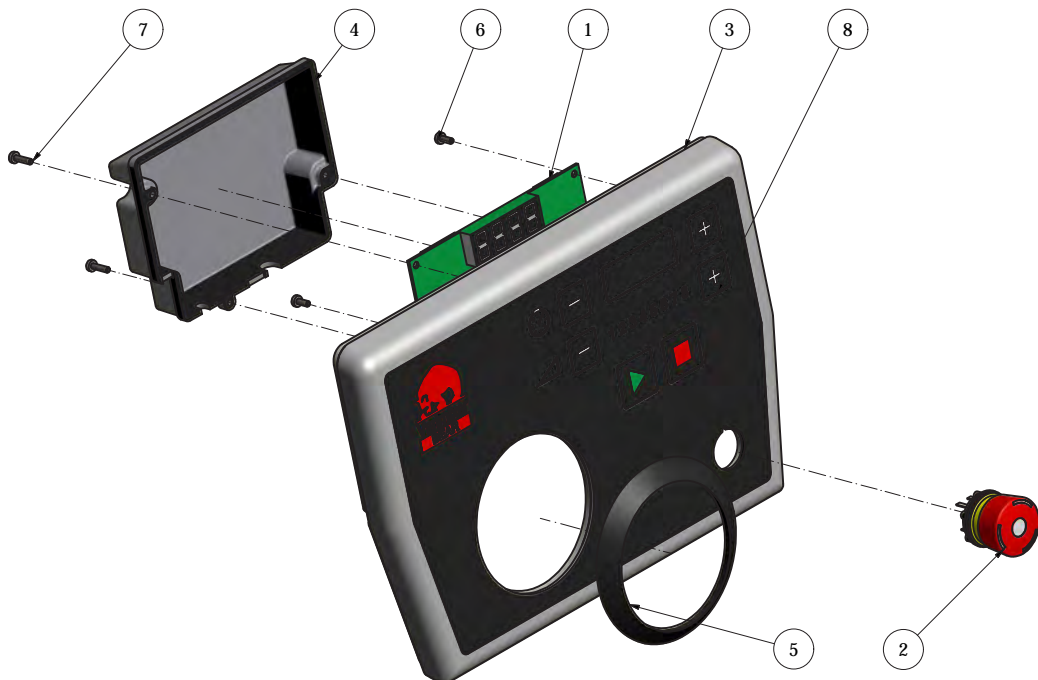


Til maskinnummer

To machine number

30006085

ITEM	QTY	Part number	Name	Name UK	Sælges som/sold as
1	1	CR30-561	Controlprint	Controlprint	
2	1	CR10-174.11	Nødstop	Emergency stop	
3	1	CR30-650.20	Front panel	Front panel	
4	1	CR30-553	Bagkasse kontrolprint	Controllerprint box	
5	1	CR30-211	Hjælpetrækspakning	Attachmentdrive collar	
6	2	STA5762	Panhovedeskruer torx M3x8	pan head screw M3x8	
7	3	STA5763	Panhovedeskruer torx M3x12	pan head screw M3x12	
8	1	CR30-149.1	Frontfolie HJT	Frontfoil HJT	
9	1	CR30-561.1M	Frontpanel komplet	Frontpanel complete	



Fra maskinnummer

From machine numberr

30006980

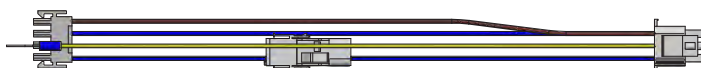
CR10-194.10



CR20-542



CR20-543



CR20-543.2



CR30-194.4M



CR20-194.7M



AR005-194-TDXXX



Part number	Name	Name UK	
CR30-194.17M	Frekvensomformer kabel output	Frequency converter cable output	
CR20-194.5M	Jordkabel kort CR20	Earth cable short CR20	
CR20-194.6M	Jordkabel lang CR20	Earth cable long CR20	
CR30-194.7M	Jordkabel med Ringkabelsko M6	Earth cable with ringterminal M6	
CR30-194.8M	Jordkabel til CR30	Earth cable to CR30	
CR20-194.25M	Forsyningskabel til kontaktor	Cable for contactor	
CR30-194.16M	Mellemkabel sikkerhedskreds input	Cable security input	
CR30-194.36M	Mellemkabel sikkerhedskreds med trafo	Cable security input with trafo	

			Bruges til / Used for
CR10-194.10	Modbus kabel	Modbus cable	All
CR20-542	Hovedkredskabel	Main cable	All
CR20-543	Sikkerhedskabel hovedkreds CR20	Security cable main cable	230V
CR20-543.2	Sikkerhedskabel Hovedkred med trafo	Security cable main cable with trafo	100/115/120/200/208/400/440/480
CR30-194.4M	Bykabel til trafo CR30	Cable for trafo CR30	100/115/120V
CR20-194.7M	Bykabel til trafo	Cable for trafo	200/208/400/440/480V

AR005-194-TD001	Bykabel DK	Main cable DK	230V
AR005-194-TD002	Bykabel EU	Main cable EU	230V
AR005-194-TD003	Bykabel UK	Main cable UK	230V
AR005-194-TD004	Bykabel CH	Main cable CH	230V
AR005-194-TD005	Bykabel I	Main cable I	230V
AR005-194-TD006	Bykabel US + CAN	Main cable US + CAN	230V
AR005-194-TD007	Bykabel AUS	Main cable AUS	230V
AR005-194-TD008	Bykabel CHN	Main cable CHN	230V
AR005-194-TD009	Bykabel JPN + TW	Main cable JPN + TW	230V
AR005-194-TD010	Bykabel JPN – uden jordledning	Main cable JPN - without 0	230V

Til maskinnummer

To machine number

30006979

QTY	Part number	Name	Name UK
1	CR30-194.01M	Jordkabel	Ground Cable
1	CR30-194.02M	Jordkabel 60mm	Ground Cable 60mm
1	CR30-194.7M	Jordkabel med Ringkabelsko M6	Grounding cable with connectors M6
1	CR30-194.25M	Kabel Stikbrønd til FOF	Connecting Cable
1	CR30-194.26M	Frekvensomformer kabel	Frequency Converter Cable
1	CR30-542	Hovedkredskabel	Main Cable

CR30-194.01M



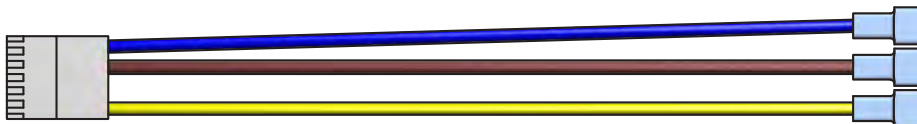
CR30-194.02M



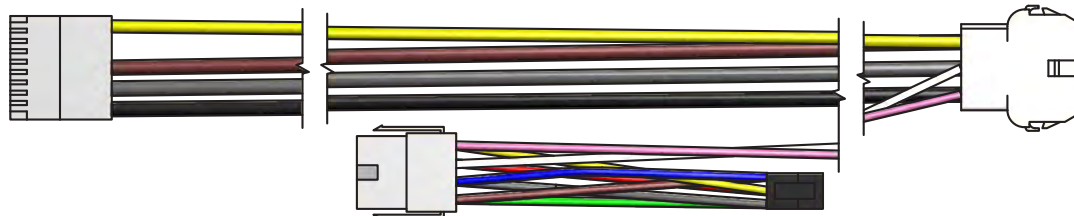
CR30-194.7M



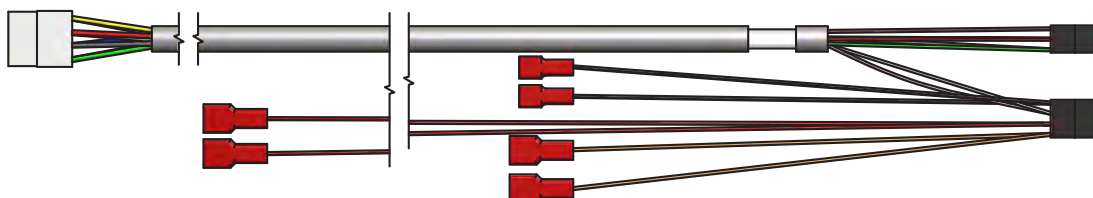
CR30-194.25M



CR30-194.26M



CR30-542





ITEM	Part number	Name	Name UK
1	CR30-75M	Kedel 30L	Bowl 30L
1A	CR30-75.2M	Kedel 30L gammel version	Bowl 30L old version
2	CR30-75AM	Kedel 30/15L	Bowl 30/15L
2A	CR30-75.2AM	Kedel 30/15L gammel version	Bowl 30/15L old version
3	CR30-78M	30L krog, rustfri	30L hook, stainless steel
4	CR30-78AM	30/15L krog, rustfri	30/15L hook, stainless steel
5	CR30-27.3M	30L spartel, rustfri	30L flat beater, stainless steel
6	CR30-27.3AM	30/15L spartel, rustfri	30/15L flat beater, stainless steel
7	CR30-28.1M	30L ris	30L whip
8	CR30-28.1AM	30/15L ris	30/15L whip
9	42CR30P	30L skraber komplet	30L scraper complete
10	42CR30AP	30/15L skraber komplet	30/15L scraper complete
11	42CR30-204	30L skraberblad	30L scraper blade
12	42CR30-204A	30/15L skraberblad	30/15L scraper blade
13	22CR30	Kedelvogn Kodiak 30L	Bowl truck Kodiak 30L

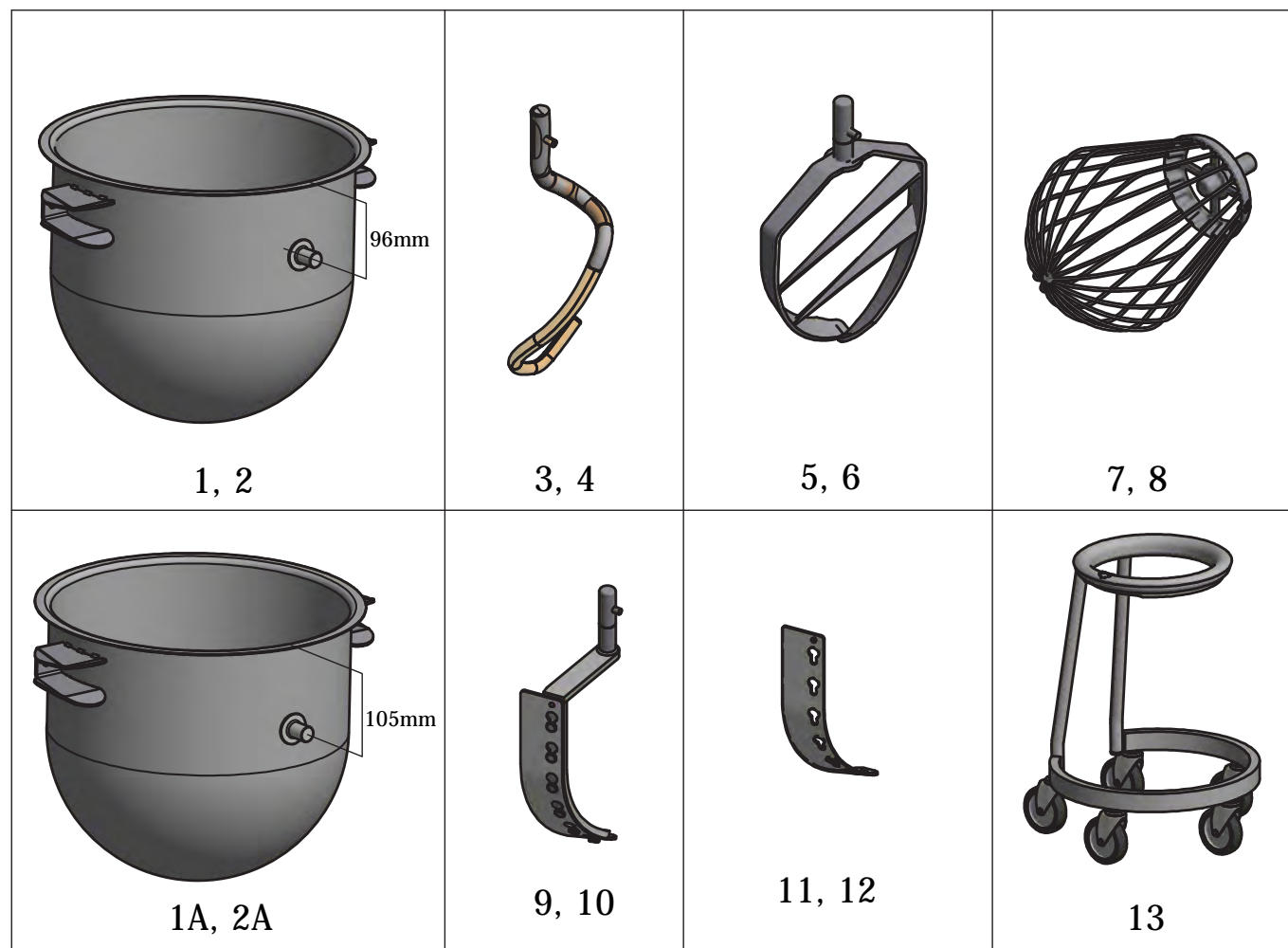
**OBS ITEM 1, 1A and 2, 2A**

**Kedlen er blevet modificeret omkring maskinnummer 30006732.**

**For at bestille den rigtige kedel skal målet på nedenstående tegning (96/105 mm) kendes.**

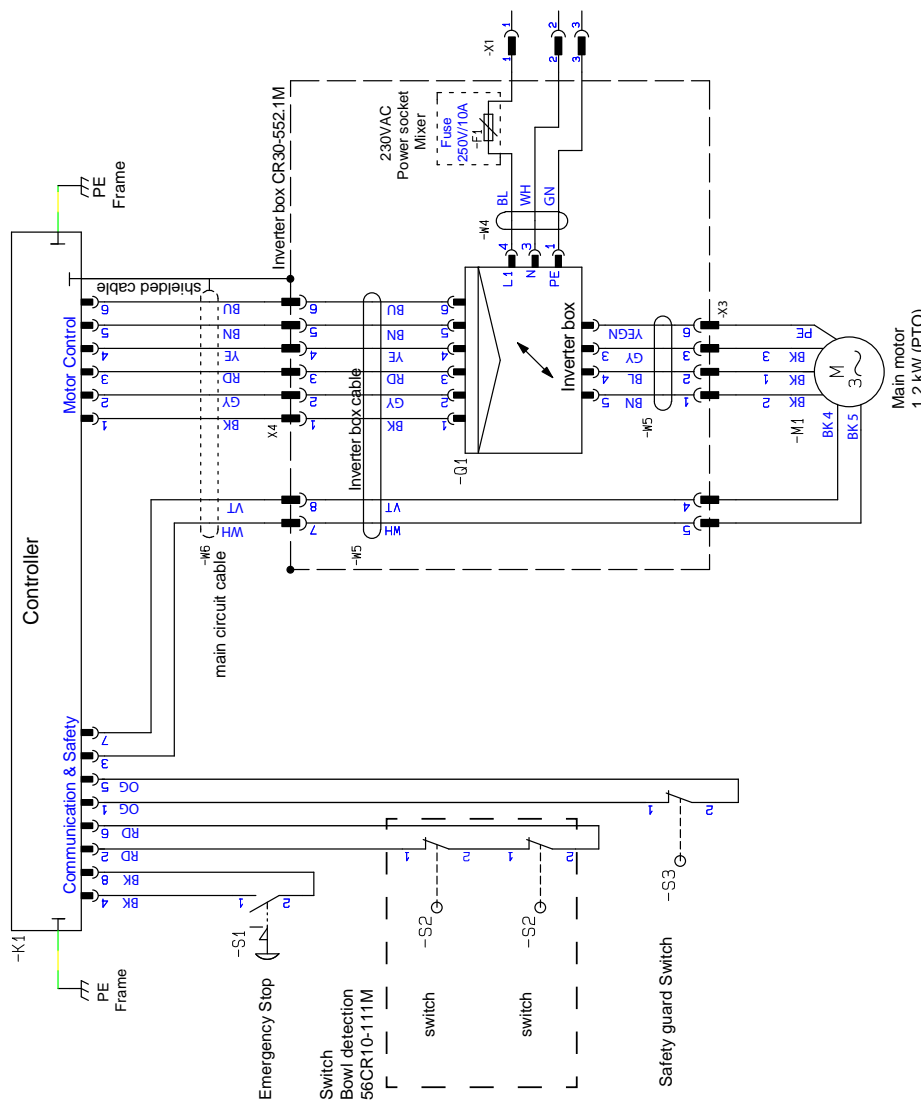
**The bowl has been modified round machine number 30006732.**

**To be sure to order the right bowl, you must know the measure shown on the drawing below (96/105 mm)**




Wire code, IEC/EN 60757

BE	BEIGE	OGRD	ORANGERED
BK	BLACK	PK	PINK
BN	BROWN	RD	RED
BNBU	BROWNBLUE	RDBK	REDBLACK
BNGN	BROWNGREEN	RDBU	REDBLUE
BNRD	BROWNRED	RDCN	REDGREEN
BU	BLUE	VT	VIOLET / PURPLE
BUBK	BLUEBLACK	WH	WHITE
BUJN	BLUEGREEN	WHBK	WHITEBLACK
GN	GREEN	WHBU	WHITEBLUE
GNBK	GREENBLACK	WHGY	WHITEGRAY
GY	GRAY	WHOG	WHITEORANGE
GYBK	GRAYBLACK	WHRD	WHITERED
GYBN	GRAYBROWN	WHVT	WHITEVIOLET
GYBU	GRAYBLUE	WHYE	WHITEYELLOW
GYGN	GRAYGREEN	WHGN	WHITEGREEN
GYRD	GRAYRED	WHBN	WHITEBROWN
GYVT	GRAYVIOLET	YE	YELLOW
OG	ORANGE	YEBK	YELLOWBLACK
OGBU	ORANGEBLUE	YEBU	YELLOWBLUE
OGGN	ORANGEGREEN	YEGY	YELLOWGRAY
OGGY	ORANGEGRAY	YEGN	YELLOWGREEN



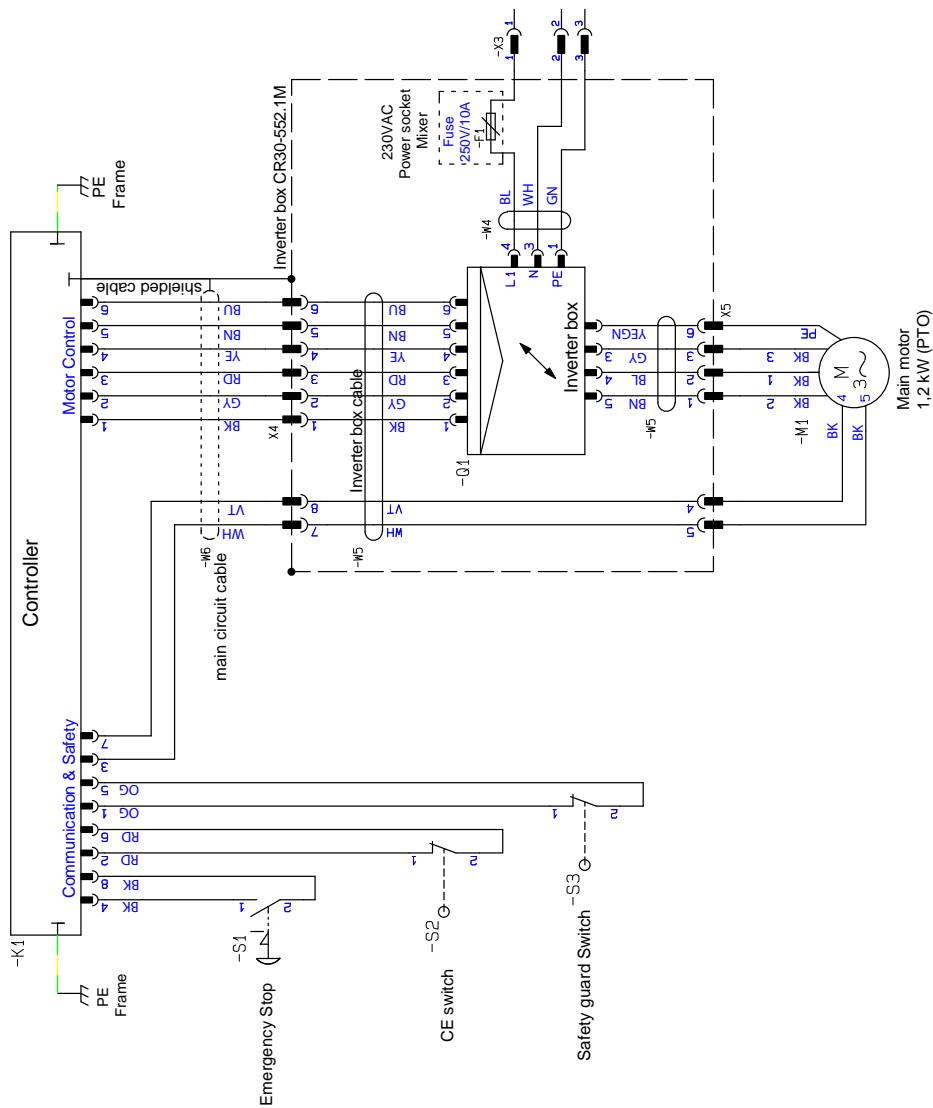
1 2 3 4 5 6 7 8

<b>A/S WODSCHOW &amp; Co.</b> Kirkebjerg Søpark 6 DK-2605 Brøndby, Denmark <a href="http://www.bearvaimixer.dk">www.bearvaimixer.dk</a>		<b>Projekttitel:</b> Kodiak VL1C	<b>Sagsnr.:</b>	<b>PQSCHEMATIC-Automation</b>
		<b>Kunde:</b>	<b>DCC:</b>	<b>Side</b>
		<b>Sidattitel:</b> Diagram	<b>Tegningsnr.:</b> 01	<b>Målestok:</b> 1:1
		<b>Finavn.:</b> 36.030-13.02.01	<b>Konstr. (projekt/side):</b> CE / CE	<b>Forrige side:</b> 4
<b>Sideref.:</b>	<b>Sidst rettet:</b> 25-07-2017	<b>Næste side:</b> 6	<b>Sidst udskrivet:</b> 02-08-2017	<b>Antal sider ialt:</b> 17

1 2 3 4 5 6 7 8

Wire code, IEC/EN 60757

BE	BEIGE	OGRD	ORANGERED
BK	BLACK	PK	PINK
BN	BROWN	RD	RED
BNBL	BROWNBLUE	ROBK	REDBLACK
BNGN	BROWNGREEN	ROBU	REDBLUE
BNRD	BROWNRED	ROGN	REDGREEN
BU	BLUE	VT	VIOLET/PURPLE
BUBK	BLUEBLACK	WH	WHITE
BUGN	BLUEGREEN	WHBK	WHITEBLACK
GN	GREEN	WHBU	WHITEBLUE
GNBK	GREENBLACK	WHGY	WHITEGRAY
GY	GRAY	WHOG	WHITEORANGE
GYBK	GRAYBLACK	WHRD	WHITERED
GYBN	GRAYBROWN	WHVT	WHITEVIOLET
GYBU	GRAYBLUE	WHYE	WHITEYELLOW
GYGN	GRAYGREEN	WHGN	WHITEGREEN
GYRD	GRAYRED	WHBN	WHITEBROWN
GYT	GRAYVIOLET	YE	YELLOW
OG	ORANGE	YEBK	YELLOWBLACK
OGBU	ORANGEBLUE	YEBU	YELLOWBLUE
OGGN	ORANGEGREEN	YEGY	YELLOWGRAY
OGGY	ORANGEGRAY	YEGN	YELLOWGREEN



**A/S WODSCHOW & Co.**  
Kirkebjerg Søpark 6  
DK-2605 Brøndby, Denmark  
[www.beatvarmimer.dk](http://www.beatvarmimer.dk)



Projekttitel: **Kodiak VL1C**  
Kunde:  
Siddittel: **Diagram**  
Filnavn: **30.030-13.02.01**  
Siderel.:

Sagsnr.:  
DOC:  
Tegningsnr.: **01**  
Konstr. (projekt/side): **CE / CE**  
Godk. (dato/mt):

Projektrev.:  
Målestok: **1:1**  
Siderel.: **4**  
Siddst udskrevet: **28-12-2016**  
Siddst rettet: **27-12-2016**  
Antal sider ialt: **17**

PCSHEMATIC Automation

