

cod.DW250E

data:23/04/2024

**Catalogo ricambi
Spare parts catalog
Catalogue de pièces détachées
Ersatzteilkatalog
Catálogo de repuestos
Catálogo de peças de reposição
Каталог запасных частей**

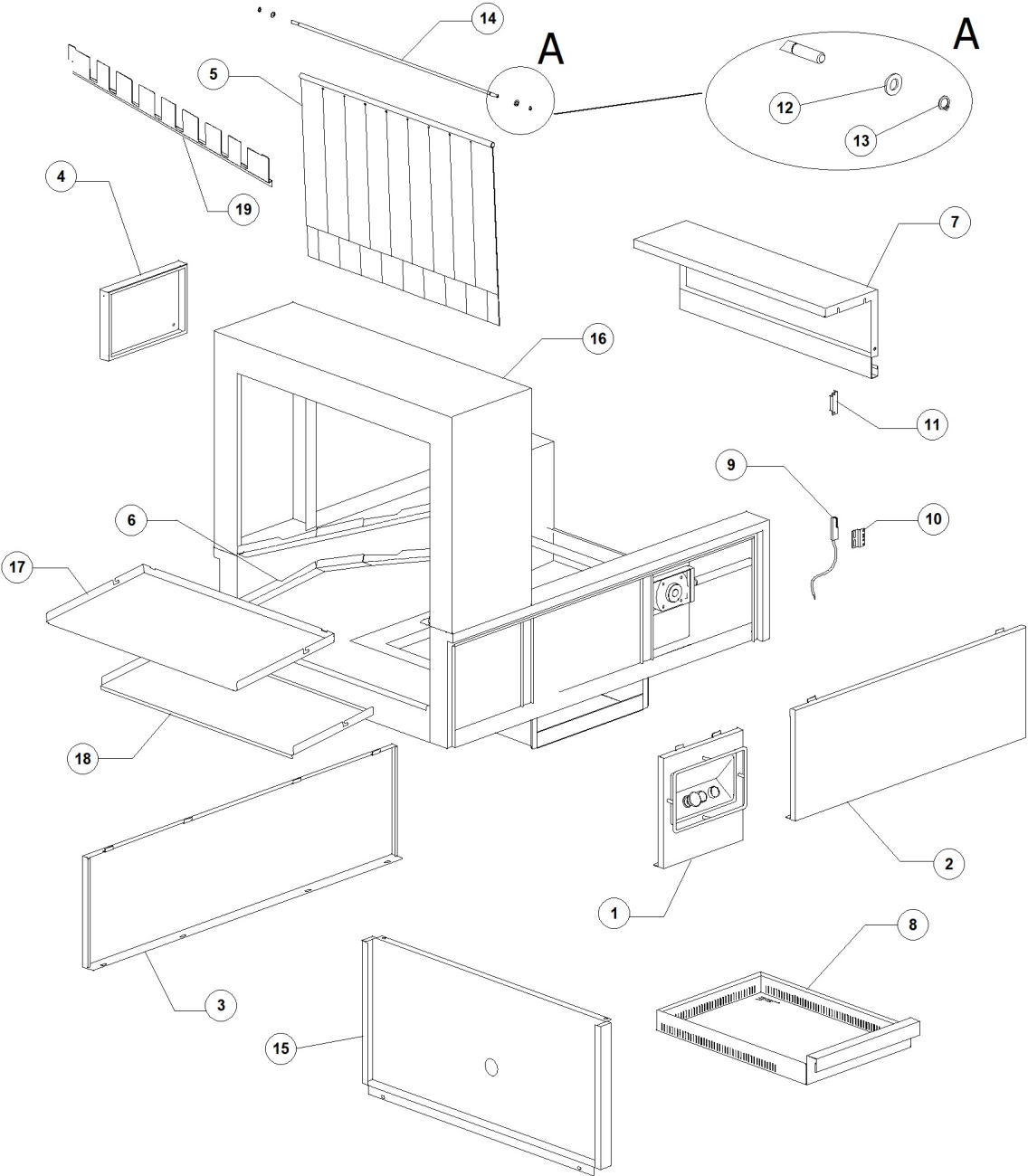
SQ416AS6 DX 3R DRF69 HRF20 400/3N/50 EAC



S/N:DWR1002383



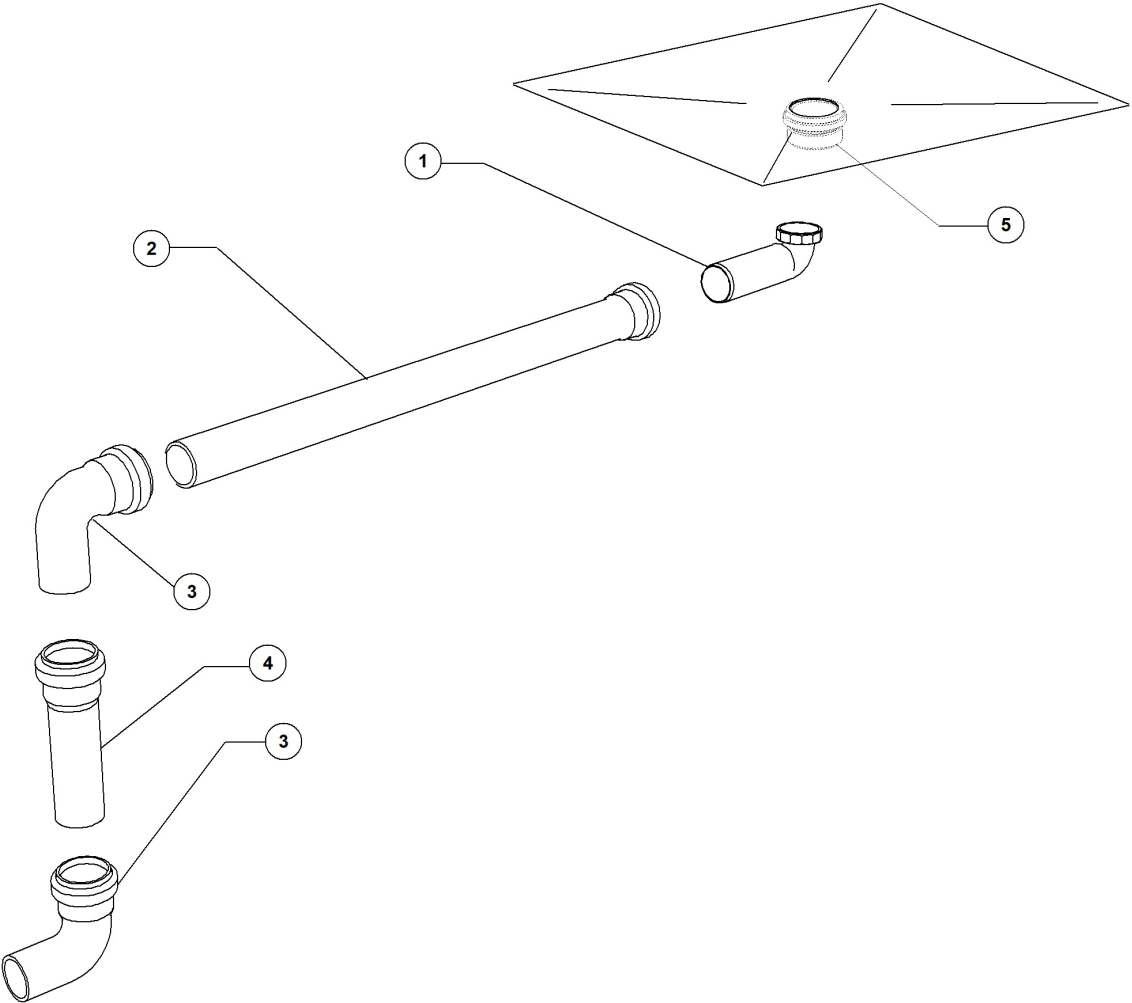
SQ416AS6 DX 3R DRF69 HRF20 400/3N/50 EAC - DWR1002383 - Entry shelf L=1200 - DW250E



SQ416AS6 DX 3R DRF69 HRF20 400/3N/50 EAC - DWR1002383 - Entry shelf L=1200 - DW250E

Pos.	Code	Descrizione	Description
1	DW3080243	PIEG PANNELLO 300 MENSOLA A SBALZO 2017	
2	DW3080244	PIEG PANNELLO 874 MENSOLA SBALZO 2017	LOWER SHELF PANEL 874 BELT MACHINE
3	DW3080242	PIEG PANNELLO 1175 MENSOLA SBALZO 2017	LOWER SHELF PANEL 1175 BELT MACHINE
4	DW3080218	PIEG COPRI MICRO ECON PARASP NASTRO 2017	
5	DW3060023	TENDINA PARASP. ESTERNA LUNGA FX	LONG EXTERNAL SPALSH GUARD CURTAIN
6	DW3060092	GUIDA MENSOLA MOD.1200 FX	
7	DW3060066	SPORTELLLO MENSOLA FX	SHELF DOOR
8	DW3060278	FILTRO MENSOLA A SBALZO L1200	SUSPENDED SHELF FILTER L1200
9	DW3003112	REED MICRO PORTA E530	MAGNETIC REED SWITCH
10	DW3009112	PIEG. SUPPORTO MAGNETE PER PORTA	ECONOMIZER MICROSWITCH SUPPORT
11	DW80232	MAGNETE PER REED PER LP	REED MAGNETIC UNIC
12	DW11185	RONDELLA 8X16 PIANA INOX DIN125	8X16 S/S PLANE WASHER DIN125
13	DW11815	SEEGER DIAM.8 INOX UNI7435	SNAP RING D.8 S/S
14	DW3060026	ASTA SOSTEGNO TENDA ESTERNA FX	EXTERNAL CURTAIN ROD
15	DW3080261	PIEG PANNELLO SOTTOMENSOLA SBALZ 2017	UNDER SHELF PANEL BELT MACHINE
16	DW3080019	ASSIEM PARASPRUZZI 300 NASTRO 2017	SPLASH GUARD L300 BELT MACHINE
17	DW3060050	GOCCIOLATOIO PRELAVAGGIO FX (N)	PRERINSE DRIP
18	DW3060299	GOCCIOLATOIO PRELAVAGGIO INFERIORE FX	
19	DW3060140	PIEG PETTINE GIUNZ VASCHE PARASPRUZ STD	SPLASH GUARD RACK

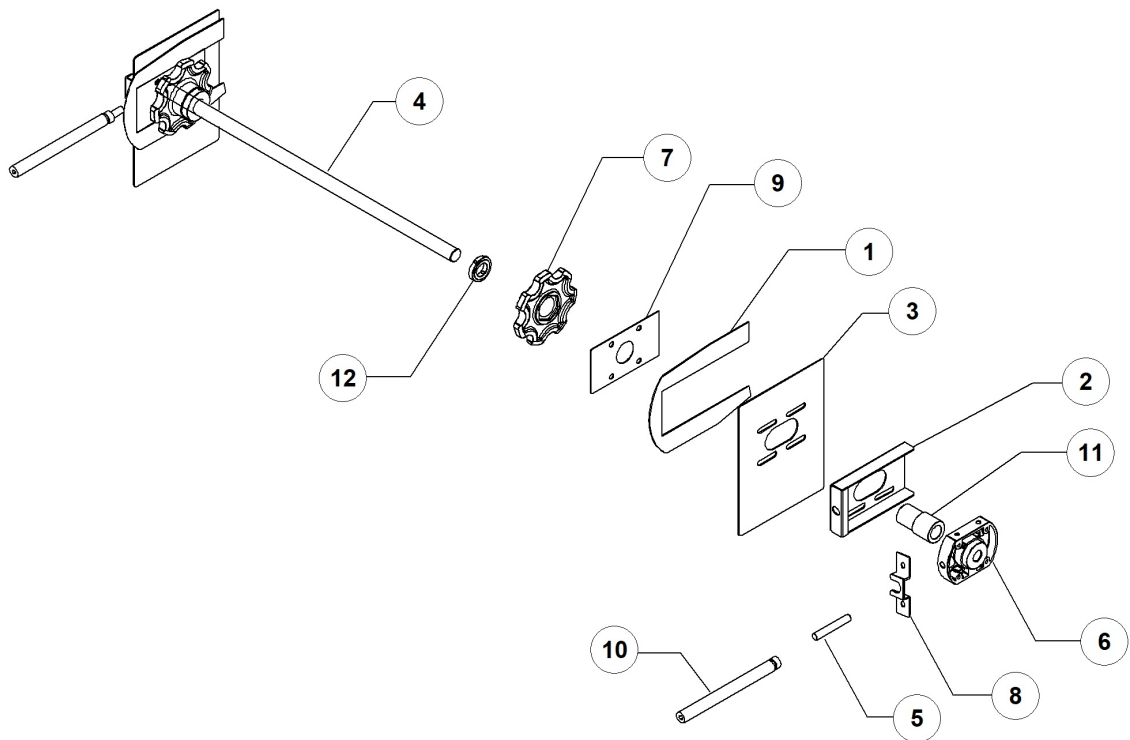
SQ416AS6 DX 3R DRF69 HRF20 400/3N/50 EAC - DWR1002383 - Shelf draining L=1200 - DW250E



SQ416AS6 DX 3R DRF69 HRF20 400/3N/50 EAC - DWR1002383 - Shelf draining L=1200 - DW250E

Pos.	Code	Descrizione	Description
1	DW3060174	"CODULO CURV.DADO OTT.40X1"1/4PR"	"BENT TANG 40X1"1/4"
2	DW3060250	PP-TUBO 2 BICCH. HTDM 40/1,00	PP PIPE HTDM 40/1,00
3	DW3060175	PP-CURVA 90°∅ 87G30' HTB 40	
4	DW3060250	PP-TUBO 2 BICCH. HTDM 40/1,00	PP PIPE HTDM 40/1,00
5	DW3083155	BOCCOLA A SALDARE	

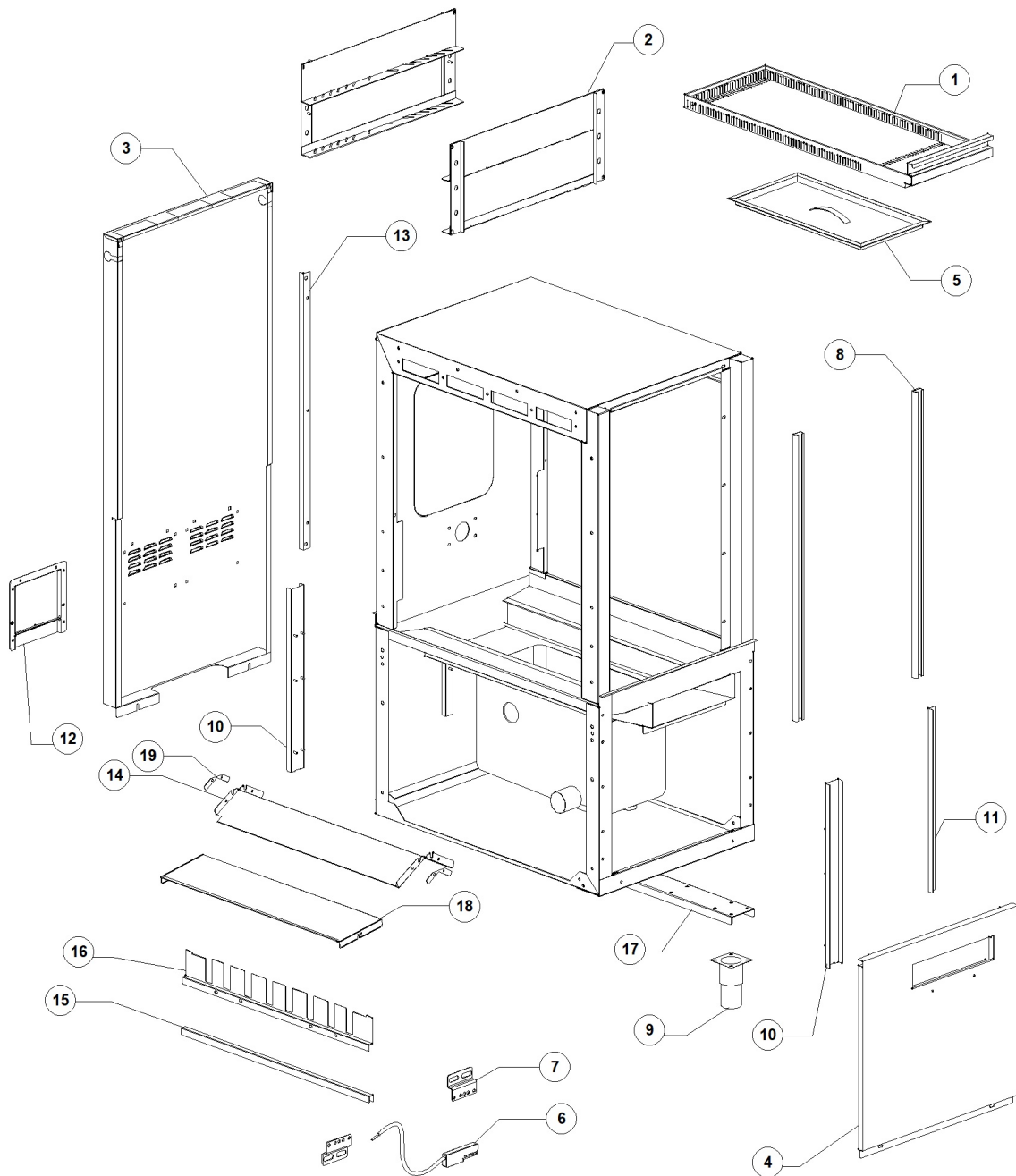
SQ416AS6 DX 3R DRF69 HRF20 400/3N/50 EAC - DWR1002383 - Entry shelf movement - DW250E



SQ416AS6 DX 3R DRF69 HRF20 400/3N/50 EAC - DWR1002383 - Entry shelf movement - DW250E

Pos.	Code	Descrizione	Description
1	DW3060318	PIASTRA PROLUNGAMENTO GUIDE	
2	DW3060070	STAFFA SUPPORTO LATERALE ALB.FOLLE	
3	DW3060069	RINFORZO FIANCO MENSOLA FOLLE (N)	
4	DW3060020	ALBERO FOLLE NASTRO	BELT MACHINE NEUTRAL SHAFT
5	DW3060287	BARRA FILETTATA M12x80	THREADED BAR M12X80
6	DW3060128	SUPPORTO LATERALE ALBERO FOLLE	NEUTRAL SHAFT SIDE SUPPORT
7	DW3060134	PULEGGIA FOLLE NASTRO P60 Z7	IDLE PULLEY P60 Z7 BELT MACHINE
8	DW3060284	STAFFA REGOLAZIONE NASTRO	CONVEYOR ADJUSTING BRACKET
9	DW3060283	PIASTRA CHIUSURA FIANCO	LOCKING SIDE PLATE
10	DW3060285	PERNO REGOLAZIONE NASTRO (mens.sbalzo)	SETTING CONVEYOR PIN
11	DW3060340	BOCCOLA PULEGGIA FOLLE NASTRO 2016	
12	DW3061016	ANELLO FISSAGGIO D45-25-10	CLAMPING RING D45-25-10

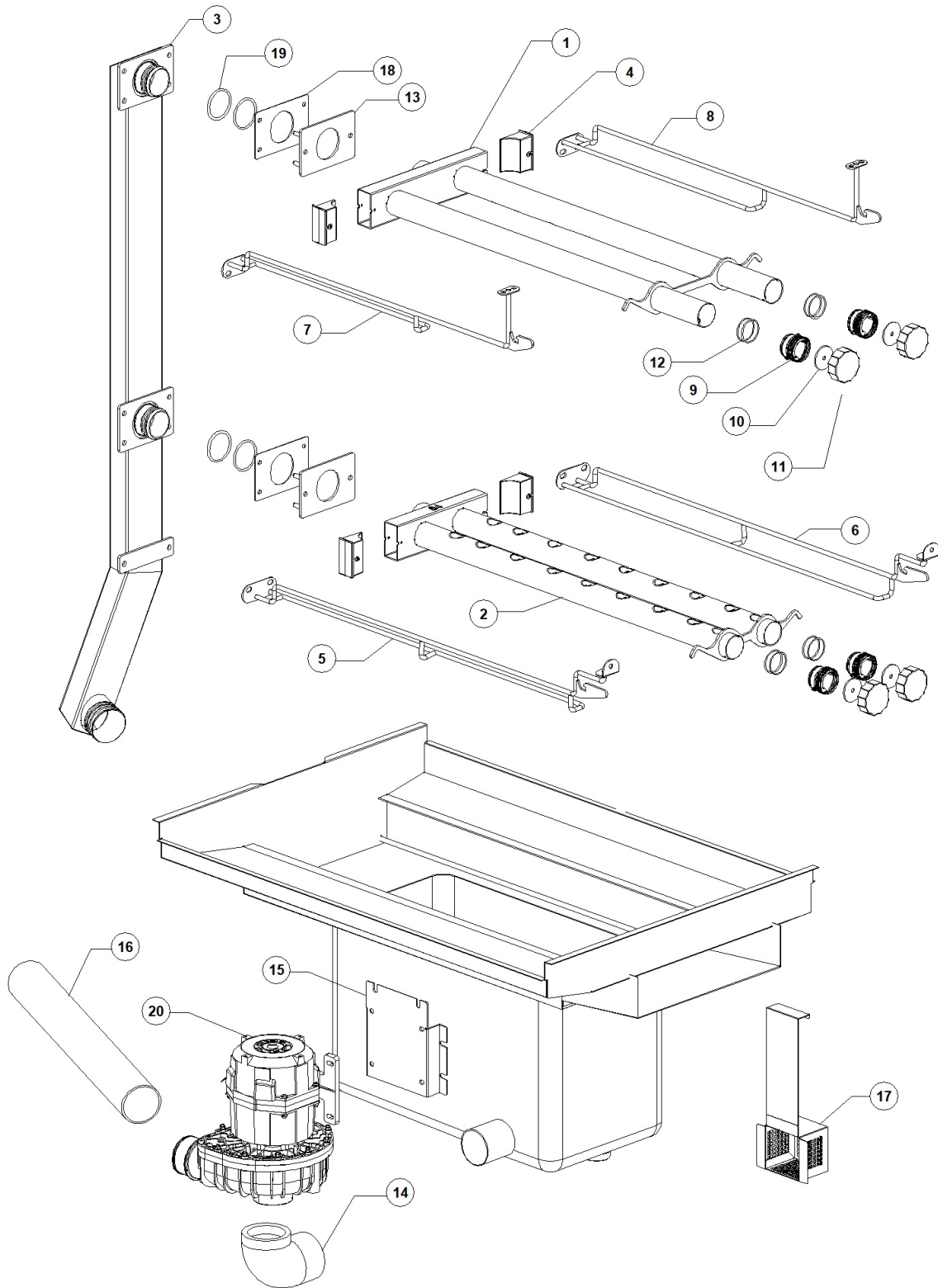
SQ416AS6 DX 3R DRF69 HRF20 400/3N/50 EAC - DWR1002383 - Automatic pre-wash L=600 - DW250E



SQ416AS6 DX 3R DRF69 HRF20 400/3N/50 EAC - DWR1002383 - Automatic pre-wash L=600 - DW250E

Pos.	Code	Descrizione	Description
1	DW3080045	"ASS FILTR CASSETTO MOD "AS" NASTRO 2017"	AS DRAWER FILTER ASSEMBLY BELT MACHINE
2	DW3080025	ASSIEM GUIDA NASTRO 600 NASTRO 2017	
3	DW3080293	PIEG TAMP POST 600 NASTRO 2017	REAR PANEL 600
4	DW3080044	"ASSIEME SOTTOPORTA "AS" NASTRO 2017"	FRONT PANEL AS
5	DW3080051	"AS FILTRO SUPERF "AS" NASTRO 2017"	SURFACE FILTER FOR AS BELT MACHINE 2017
6	DW3003112	REED MICRO PORTA E530	MAGNETIC REED SWITCH
7	DW3009112	PIEG. SUPPORTO MAGNETE PER PORTA	ECONOMIZER MICROSWITCH SUPPORT
8	DW3080270	PIEG. GUIDA PATTINO NASTRO 2017	
9	DW80116	"PIEDINO 2" REG. 112-215 A304"	"ADJUSTABLE FOOT 112-215 2"
10	DW3080325	PIEG PROF C PER SOTTOPO IPX5 NASTRO 2017	
11	DW3080326	PIEG PROFILO A L SOTTOPO IPX5 NASTRO 2017	
12	DW3071286	CARTER PER IPX4 /IPX5 ESTERNO	EXTERNAL PROTECTION IPX4/IPX5
13	DW3080324	PIEG PROF L PER SCHIEN IPX5 NASTRO 2017	
14	DW3080322	PIEG GOCCIOLATOIO LAVAGGIO NASTRO 2017	
15	DW3080241	PIEG PROFILO GIUNZ VASCHE NASTRO 12017	
16	DW3060140	PIEG PETTINE GIUNZ VASCHE PARASPRUZ STD	SPLASH GUARD RACK
17	DW3080283	PIEG RINF PER SEMITELAIO NASTRO 2017	
18	DW3060052	GOCCIOLATOIO RISCIAQUO FX	RINSE DRIP
19	DW3060319	STAFFA SUPPORTO GOCCIOLATOIO LAV.	DRIP BRACKET

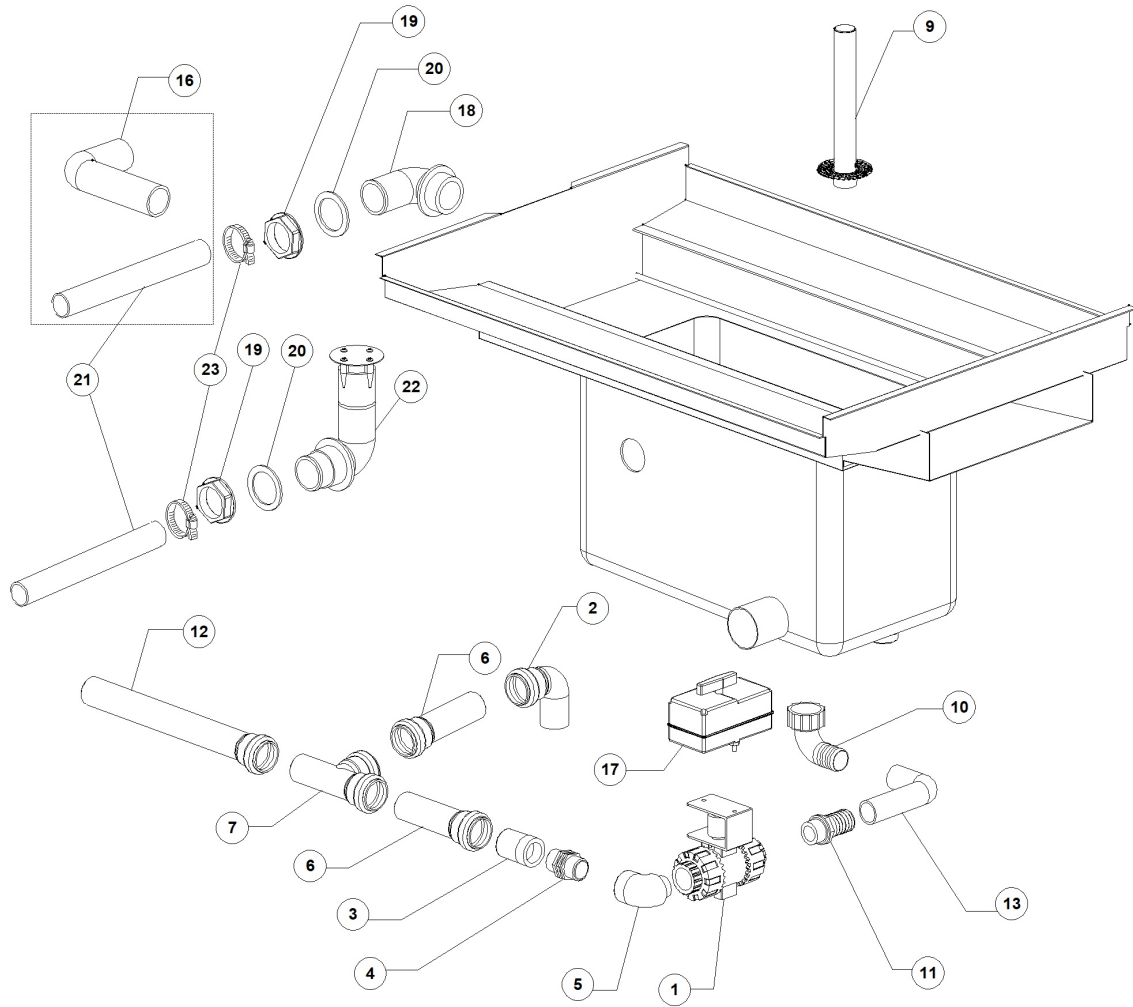
SQ416AS6 DX 3R DRF69 HRF20 400/3N/50 EAC - DWR1002383 - Automatic pre-wash ramp L=600 - DW250E



SQ416AS6 DX 3R DRF69 HRF20 400/3N/50 EAC - DWR1002383 - Automatic pre-wash ramp L=600 - DW250E

Pos.	Code	Descrizione	Description
1	DW3083065	#RASTRELLIERA DOCCIONE SUP NASTRO 2017	UPPER SPRAY ARMS RACK PREWASH W/DRAWER
2	DW3083064	#RASTRELLIERA DOCCIONE INF NASTRO 2017	LOWER SPRAY ARMS RACK PREWASH W/DRAWER
3	DW3083056	PIANTONE RAMPE LAVAGGIO NASTRO 2017	EXTERNAL CONNECTION RAMP BELT MACHINE
4	DW3071027	TAPPO RETTANGOLARE PER RAMPA RX	RECTANGULAR PLUG FOR RAMP
5	DW3083058	GUIDA INF SX PER RASTRELLIERE NASTRO2017	RACK LEFT LOWER GUIDE
6	DW3083059	GUIDA INF DX PER RASTRELLIERE NASTRO2017	RACK RIGHT LOWER GUIDE
7	DW3083060	GUIDA SUP SX PER RASTRELLIERE NASTRO2017	RACK LEFT UPPER GUIDE BELT MACHINE
8	DW3083057	GUIDA SUP DX PER RASTRELLIERE NASTRO2017	RACK RIGHT UPPER GUIDE
9	DW3071026	GHIERA PER TAPPO RAMPA RX	RING NUT FOR RISER PLUG
10	DW80305	GUARNIZIONE PER TAPPO TUBO GIRANTE	ARM PLUG GASKET
11	DW80304	TAPPO PER UGELLO TERMINALE GRIGIO	GREY WASH ARM PLUG
12	DW3071117	GUARNIZIONE OR 02131	
13	DW3083055	FLANGIA COLLEGAMENTO RAMPA NASTRO 2017	RISER LINK FLANGE BELT MACHINE
14	DW3083090	EPDM D.60 MANIC. A GOMITO ASPIRAZIONE	ELBOW SUCTION PIPE COUPLING D.60
15	DW3080347	"PIEG STAFFA SUP. POMPA "AS" NASTR 2017"	
16	DW3083089	MANICOTTO RADIO D60 L700	PIPE COUPLING D.50 L700
17	DW3080054	ASS FILTRO ASP POMPA AS NASTRO 2017	AS PUMP SUCTION FILTER ASSEMBLY BELT MAC
18	DW3060202	GUARNIZIONE DISTRIB MOD.99977	SPRAY ARMS ASSEMBLY/RISER GASKET
19	DW13008	GUARNIZIONE OR 147 NBR	O-RING 147 NBR (MIN. 5 PCS)
19	DW13013	GUARNIZIONE OR 4118 NBR NB702822	O-RING 137 NBR
20	DW3083087	POMPAAS HP1,2 230-240/380-415 50Hz	PUMP HP1.2 230-240/380-415V/50HZ

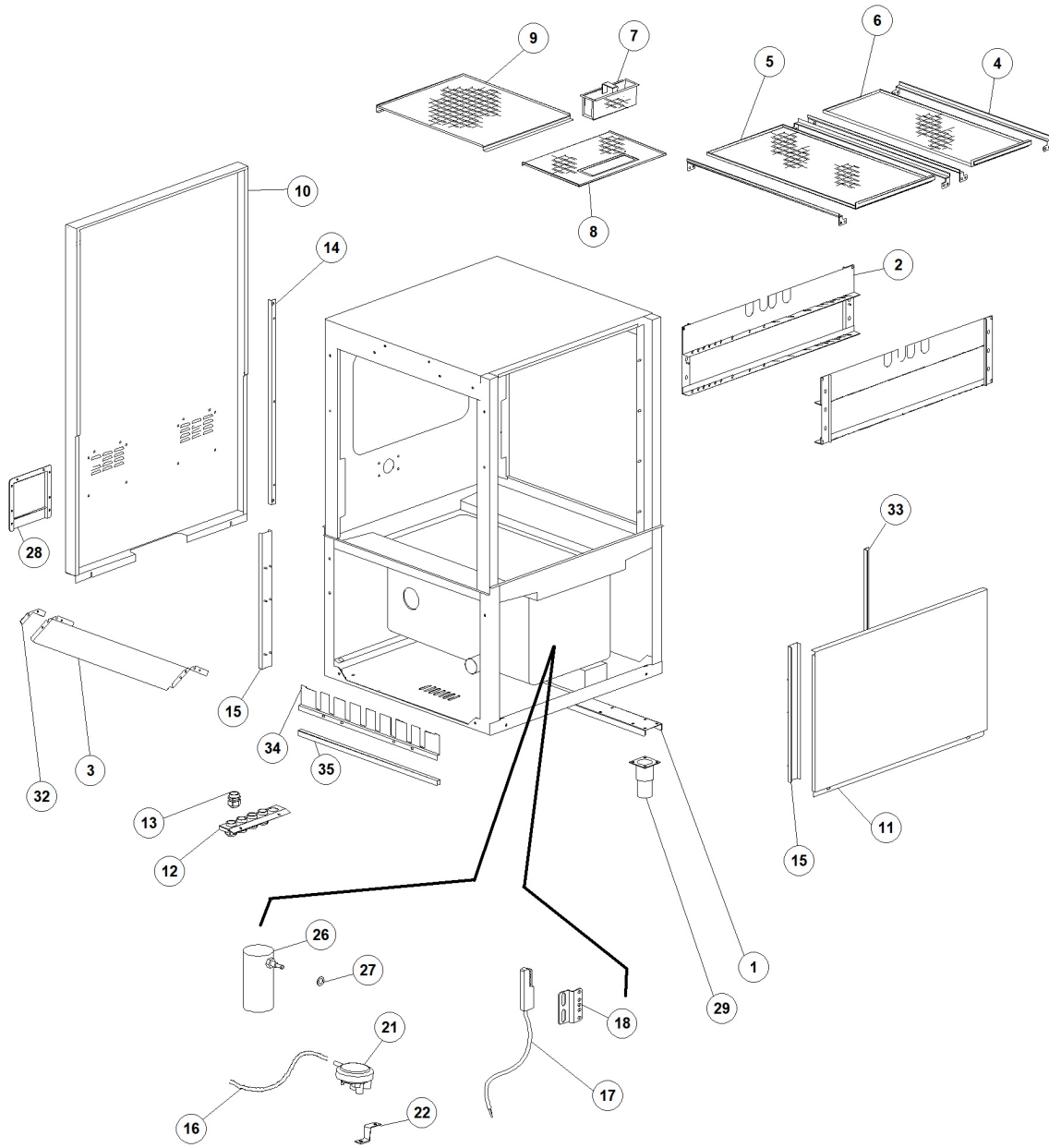
SQ416AS6 DX 3R DRF69 HRF20 400/3N/50 EAC - DWR1002383 - Automatic pre-wash drain L=600 - DW250E



SQ416AS6 DX 3R DRF69 HRF20 400/3N/50 EAC - DWR1002383 - Automatic pre-wash drain L=600 - DW250E

Pos.	Code	Descrizione	Description
2	DW3060175	PP-CURVA 90°∅ 87G30' HTB 40	
3	DW3071107	PE-GIUN FIL.INT. 40X1' PER VALV SCARICO	"DRAIN VALVE THREADED JOINT 40X1'"
4	DW3071106	DTI-NIPLES POLIET 1' PER VALV SCARIC	"NIPPLE FOR DRAIN VALVE 1'"
5	DW3071105	"DTI-GOMITO POLIET 1" M-F PER VALV SCARIC"	"ELBOW FOR DRAIN VALVE 1" M-F"
6	DW3060250	PP-TUBO 2 BICCH. HTDM 40/1,00	PP PIPE HTDM 40/1,00
7	DW3060176	RACCORDO TI PP F-F-M 40	UNION TEE PP 40 F-F-M
9	DW3080057	ASS FILTRO SCARICO NASTRO 2017	DRAIN FILTER ASSEMBLY BELT MACHINE
10	DW15613	"GOMITO NYLON SCARICO 1"1/4X32"	"DRAIN ELBOW 1" 1/4X32"
11	DW3071277	"PORTAGOMMA DIRITTO M 1" X 32 IN PP"	"PP HOSE CONNECTOR M1"X32"
12	DW3060250	PP-TUBO 2 BICCH. HTDM 40/1,00	PP PIPE HTDM 40/1,00
13	DW18044	TUBO DIAM.28 EPDM LAV.SUP. STAR	D.28 EPDM PIPE
16	DW91106	MANICOTTO MANDATA A L 45/45	DELIVERY PIPE COUPLING 45/45
18	DW392063	"MANICOTTO 1"1/2 90°∅ PRERISC (TRAV2008)"	
19	DW392059	"GHIERA 1" 1/2 (TRAVASI 2008)"	"RING NUT 1" 1/2"
20	DW392060	GUARNIZIONE 65X47X3 NBR (TRAVASI 2008)	GASKET 65X47X3 NBR
21	DW3060212	MANICOTTO RADIO D42	PIPE COUPLING D.42
22	DW392062	"MANICOTTO 1" 1/2 90°∅ (TRAVASI 2008)"	
23	DW11810	FASCETTE AISI 430 40/60	CLAMP 40/60 AISI 430

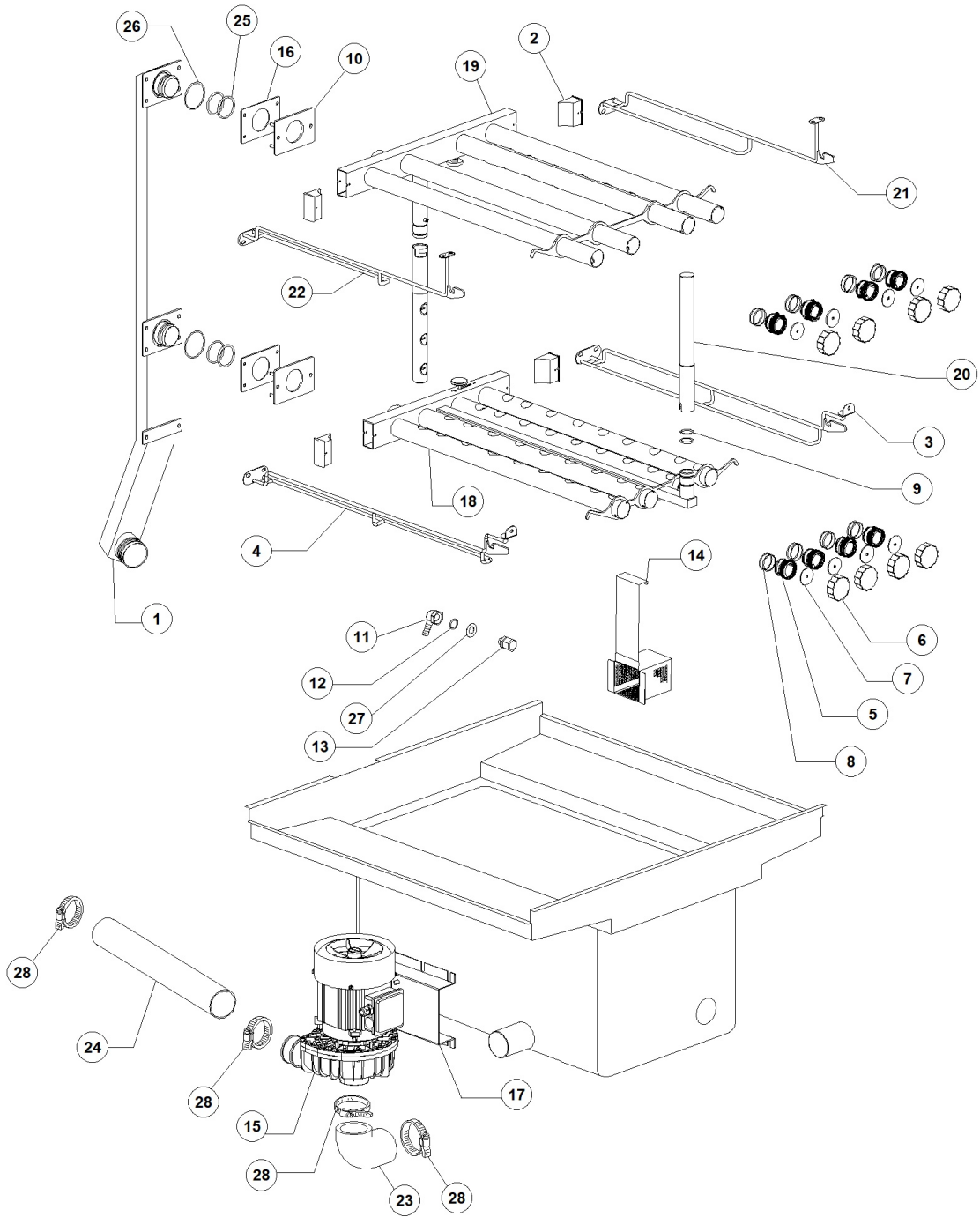
SQ416AS6 DX 3R DRF69 HRF20 400/3N/50 EAC - DWR1002383 - Prewash-zone L=900 - DW250E



SQ416AS6 DX 3R DRF69 HRF20 400/3N/50 EAC - DWR1002383 - Prewash-zone L=900 - DW250E

Pos.	Code	Descrizione	Description
1	DW3080283	PIEG RINF PER SEMITELAIO NASTRO 2017	
2	DW3080026	ASSIEME GUIDA 900 NASTRO 2017	
3	DW3080322	PIEG GOCCIOLATOIO LAVAGGIO NASTRO 2017	
4	DW3080237	PIEG GUIDA PER FILTRO SUPERF 2017	
5	DW3080330	PIEG FILTRO SUPERF 400/NASTRO 2017	SURFACE FILTER 400 BELT MACHINE
6	DW3080332	PIEG FILTRO SUPERF 300/NASTRO 2017	SURFACE FILTER 300 BELT MACHINE
7	DW3070006/A	AS. CASSETTO FILTRO LAVAGGIO RX	
8	DW3070140/A	PIEG. FILTRO LAVAGGIO CON FORO RX	WASH FILTER WITH HOLE
9	DW3080056	ASS. FILTRO SUPERF LAV/NASTRO2017	
10	DW3080294	PIEG TAMP POST 900 NASTRO 2017	BACK PANEL 900
11	DW3080287	PIEG SOTTOPORTA 900 NASTRO 2017	FRONT DOOR 900
12	DW3080318	PIEGATO STAFFA PER 5 PG29 NASTRO 2017	
13	DW80419	PRESSACAVO PG29 OBO	CABLE FITTING PG29 OBO
14	DW3080324	PIEG PROF L PER SCHIEN IPX5 NASTRO 2017	
15	DW3080325	PIEG PROF C PER SOTTOPO IPX5 NASTRO 2017	
16	DW14508	TUBO EPDM 4.5X9 PER PRESSOSTATO	EPDM HOSE 4.5X9 FOR PRESSURE SWITCH
17	DW3003112	REED MICRO PORTA E530	MAGNETIC REED SWITCH
18	DW3009112	PIEG. SUPPORTO MAGNETE PER PORTA	ECONOMIZER MICROSWITCH SUPPORT
21	DW88110	PRESSOSTATO 250-40	PRESSURE SWITCH 250-40
22	DW3009363	SUPPORTO PRESSOSTATO	PRESSURE-SWITCH SUPPORT
26	DW80106	GABBIA D'ARIA INOX	AIR TRAP ASSEMBLY
27	DW13301	GUARNIZ. IN FASIT 202 D14x8x1,5	O-RING ROLMART D14X8X1,5
28	DW3071286	CARTER PER IPX4 /IPX5 ESTERNO	EXTERNAL PROTECTION IPX4/IPX5
29	DW80116	"PIEDINO 2" REG. 112-215 A304"	"ADJUSTABLE FOOT 112-215 2""
32	DW3060319	STAFFA SUPPORTO GOCCIOLATOIO LAV.	DRIP BRACKET
33	DW3080326	PIEG PROFILO A L SOTTOPO IPX5 NASTRO 2017	
34	DW3060140	PIEG PETTINE GIUNZ VASCHE PARASPRUZ STD	SPLASH GUARD RACK
35	DW3080241	PIEG PROFILO GIUNZ VASCHE NASTRO 12017	

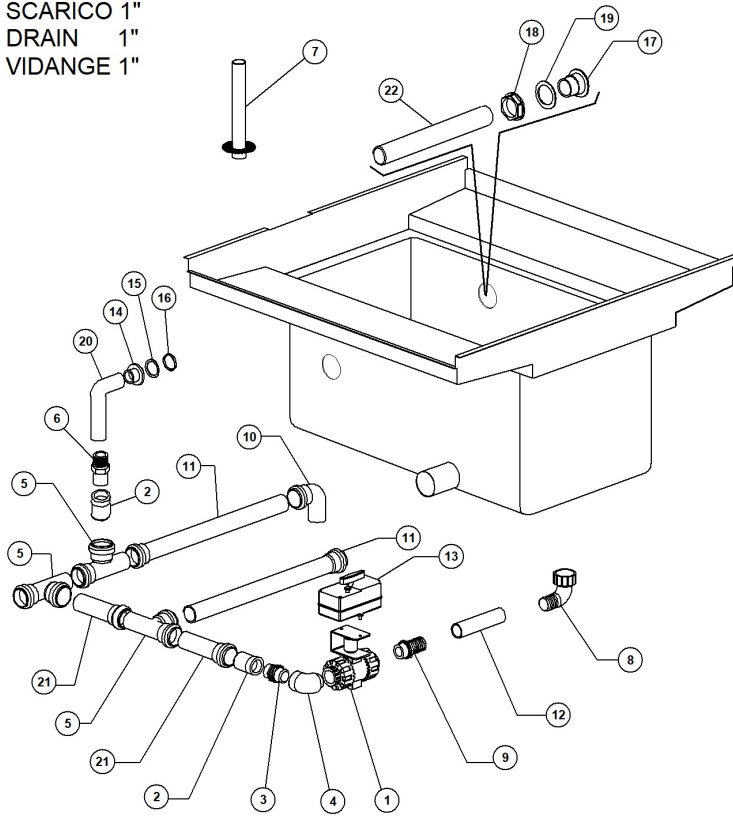
SQ416AS6 DX 3R DRF69 HRF20 400/3N/50 EAC - DWR1002383 - Pre-Wash ramp L=900 - DW250E



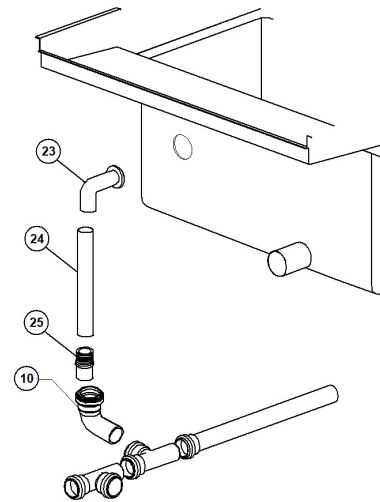
SQ416AS6 DX 3R DRF69 HRF20 400/3N/50 EAC - DWR1002383 - Pre-Wash ramp L=900 - DW250E

Pos.	Code	Descrizione	Description
1	DW3083056	PIANTONE RAMPE LAVAGGIO NASTRO 2017	EXTERNAL CONNECTION RAMP BELT MACHINE
2	DW3071027	TAPPO RETTANGOLARE PER RAMPA RX	RECTANGULAR PLUG FOR RAMP
3	DW3083059	GUIDA INF DX PER RASTRELLIERE NASTRO2017	RACK RIGHT LOWER GUIDE
4	DW3083058	GUIDA INF SX PER RASTRELLIERE NASTRO2017	RACK LEFT LOWER GUIDE
5	DW3071026	GHIERA PER TAPPO RAMPA RX	RING NUT FOR RISER PLUG
6	DW80304	TAPPO PER UGELLO TERMINALE GRIGIO	GREY WASH ARM PLUG
7	DW80305	GUARNIZIONE PER TAPPO TUBO GIRANTE	ARM PLUG GASKET
8	DW3071117	GUARNIZIONE OR 02131	
9	DW3083063	GUARNIZIONE OR 3087 NBR70	
10	DW3083055	FLANGIA COLLEGAMENTO RAMPA NASTRO 2017	RISER LINK FLANGE BELT MACHINE
11	DW3003129	GOMITO PORTAGOMMA 12 - G3/8	ELBOW HOSE-CONNECTION 12 G3/8
12	DW3003130	GUARNIZIONE OR 123 NBR	O-RING 123 NBR
13	DW3003128	GOMITO DI CARICO G3/8	LOADING ELBOW G3/8
14	DW3019071	FILTRO ASPIRAZIONE POMPA	SUCTION FILTER
15	DW3083079	POMPA HP2.7 230-240/380-415 50 Hz	PUMP HP2.7 230-240/380-415V/50HZ
16	DW3060202	GUARNIZIONE DISTRIB MOD.99977	SPRAY ARMS ASSEMBLY/RISER GASKET
17	DW3080291	PIEG SUP POMPA LAV-PRELAV NASTRO 2017	
18	DW3083068	RASTRELLIERA LAV 900 INF NASTRO 2017	LOWER 900 WASH SPRAY ARMS RACK 2017
19	DW3083069	RASTRELLIERA LAV 900 SUP NASTRO 2017	UPPER 900 WASH SPRAY ARMS RACK 2017
20	DW3083061	TUBO LAVAGGIO LATERALE NASTRO 2017	SIDE WASH ARM BELT MACHINE
21	DW3083057	GUIDA SUP DX PER RASTRELLIERE NASTRO2017	RACK RIGHT UPPER GUIDE
22	DW3083060	GUIDA SUP SX PER RASTRELLIERE NASTRO2017	RACK LEFT UPPER GUIDE BELT MACHINE
23	DW3083090	EPDM D.60 MANIC. A GOMITO ASPIRAZIONE	ELBOW SUCTION PIPE COUPLING D.60
24	DW3083089	MANICOTTO RADIO D60 L700	PIPE COUPLING D.50 L700
25	DW13008	GUARNIZIONE OR 147 NBR	O-RING 147 NBR (MIN. 5 PCS)
25	DW13013	GUARNIZIONE OR 4118 NBR NB702822	O-RING 137 NBR
26	DW105996	GUARNIZIONE OR 3218	O-RING 3218
27	DW3009387	RONDELLA GOMITO CARICO	LOADING ELBOW WASHER
28	DW2902491	FASCETTA AISI-430 60/80	CLAMP 60/80 AISI 430

SCARICO 1"
DRAIN 1"
VIDANGE 1"



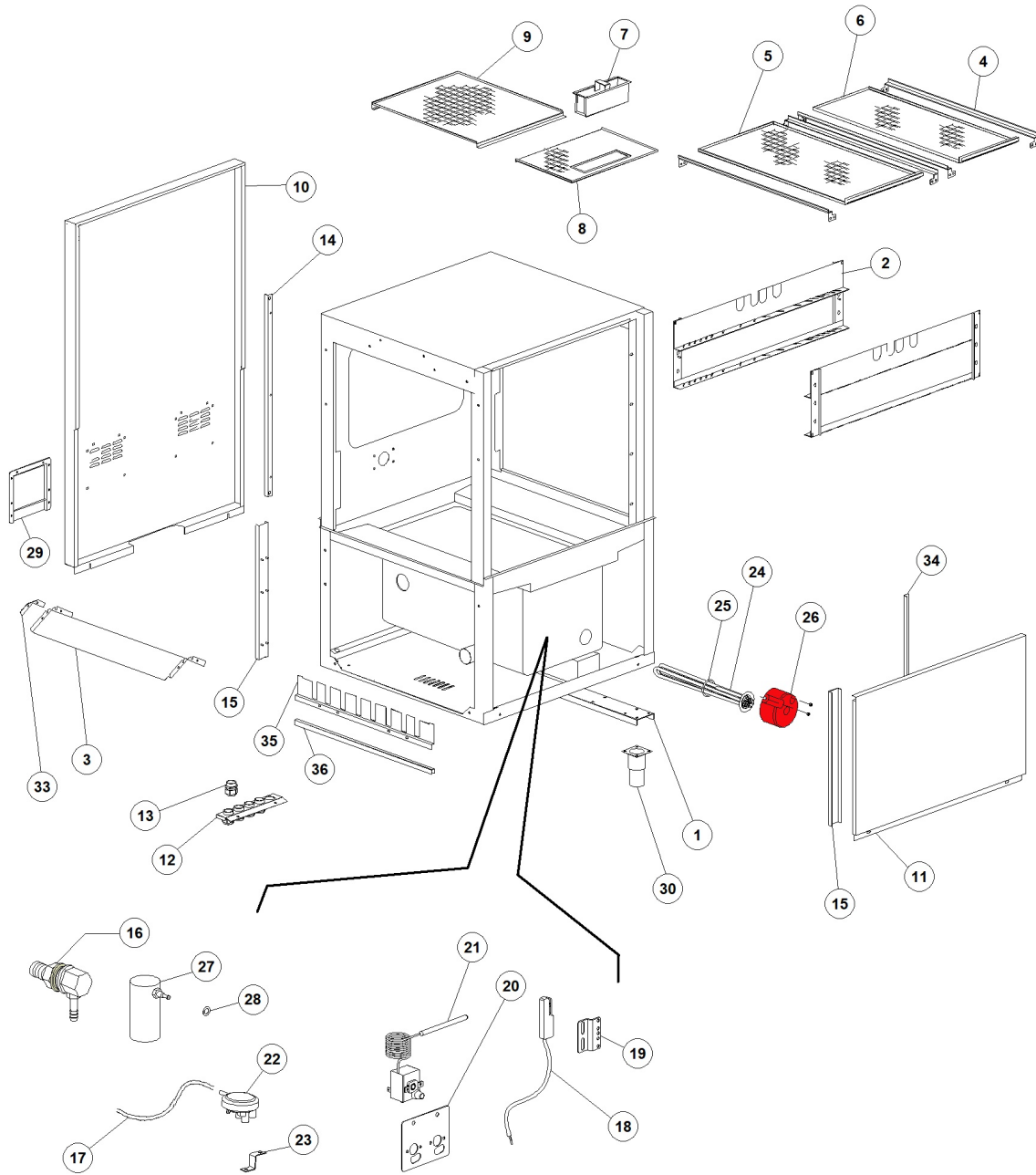
SCARICO 1" 1/2
DRAIN 1" 1/2
VIDANGE 1" 1/2



SQ416AS6 DX 3R DRF69 HRF20 400/3N/50 EAC - DWR1002383 - Pre-Wash drain L=900 - DW250E

Pos.	Code	Descrizione	Description
2	DW3071107	PE-GIUN FIL.INT. 40X1' PER VALV SCARICO	"DRAIN VALVE THREADED JOINT 40X1'"
3	DW3071106	DTI-NIPLES POLIET 1' PER VALV SCARIC	"NIPPLE FOR DRAIN VALVE 1'"
4	DW3071105	"DTI-GOMITO POLIET 1" M-F PER VALV SCARIC"	"ELBOW FOR DRAIN VALVE 1" M-F"
5	DW3060176	RACCORDO TI PP F-F-M 40	UNION TEE PP 40 F-F-M
6	DW3071277	"PORTAGOMMA DIRITTO M 1" X 32 IN PP"	"PP HOSE CONNECTOR M1"X32"
7	DW3080057	ASS FILTRO SCARICO NASTRO 2017	DRAIN FILTER ASSEMBLY BELT MACHINE
8	DW15613	"GOMITO NYLON SCARICO 1"1/4X32"	"DRAIN ELBOW 1" 1/4X32"
9	DW3071277	"PORTAGOMMA DIRITTO M 1" X 32 IN PP"	"PP HOSE CONNECTOR M1"X32"
10	DW3060175	PP-CURVA 90°∅ 87G30' HTB 40	
11	DW3060250	PP-TUBO 2 BICCH. HTDM 40/1,00	PP PIPE HTDM 40/1,00
12	DW18044	TUBO DIAM.28 EPDM LAV.SUP. STAR	D.28 EPDM PIPE
14	DW10701/B	PILETTA SCARICO DIRITTA	STRAIGHT FLOOR DRAIN
15	DW13305	GUARN.GOM.SCARICO 44x32x3 DIS.LS061	O RING FOR DRAIN ELBOW 44x32x3 DIS.LS061
16	DW11701/A	DADO INOX PER PIL. SCAR.	S/S NUT
17	DW392061	"MANICOTTO 1" 1/2 DRITTO (TRAVASI 2008)"	"PIPE COUPLING 1"1/2"
18	DW392059	"GHIERA 1" 1/2 (TRAVASI 2008)"	"RING NUT 1" 1/2"
19	DW392060	GUARNIZIONE 65X47X3 NBR (TRAVASI 2008)	GASKET 65X47X3 NBR
20	DW18044	TUBO DIAM.28 EPDM LAV.SUP. STAR	D.28 EPDM PIPE
21	DW3060250	PP-TUBO 2 BICCH. HTDM 40/1,00	PP PIPE HTDM 40/1,00
22	DW3060212	MANICOTTO RADIO D42	PIPE COUPLING D.42
23	DW392063	"MANICOTTO 1"1/2 90°∅ PRERISC (TRAV2008)"	
24	DW3060212	MANICOTTO RADIO D42	PIPE COUPLING D.42
25	DW3083194	PORTAGOMMA D40 SCARICO NASTRO	GRAB SCREW UNI5927 A2 M6X8

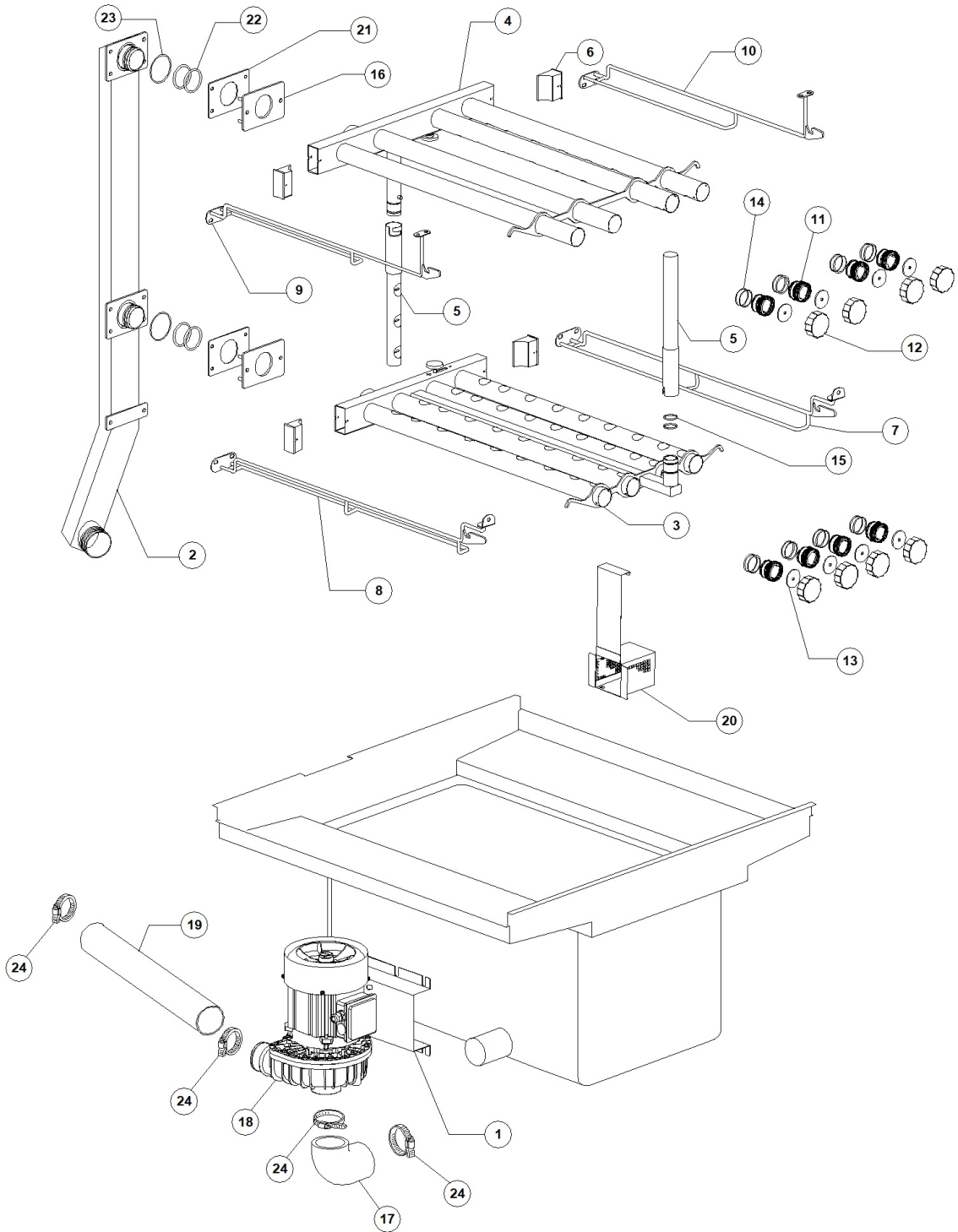
SQ416AS6 DX 3R DRF69 HRF20 400/3N/50 EAC - DWR1002383 - Wash-zone L=900 - DW250E



SQ416AS6 DX 3R DRF69 HRF20 400/3N/50 EAC - DWR1002383 - Wash-zone L=900 - DW250E

Pos.	Code	Descrizione	Description
1	DW3080283	PIEG RINF PER SEMITELAIO NASTRO 2017	
2	DW3080026	ASSIEME GUIDA 900 NASTRO 2017	
3	DW3080322	PIEG GOCCIOLATOIO LAVAGGIO NASTRO 2017	
4	DW3080237	PIEG GUIDA PER FILTRO SUPERF 2017	
5	DW3080330	PIEG FILTRO SUPERF 400/NASTRO 2017	SURFACE FILTER 400 BELT MACHINE
6	DW3080332	PIEG FILTRO SUPERF 300/NASTRO 2017	SURFACE FILTER 300 BELT MACHINE
7	DW3070006/A	AS. CASSETTO FILTRO LAVAGGIO RX	
8	DW3070140/A	PIEG. FILTRO LAVAGGIO CON FORO RX	WASH FILTER WITH HOLE
9	DW3080056	ASS. FILTRO SUPERF LAV/NASTRO2017	
10	DW3080294	PIEG TAMP POST 900 NASTRO 2017	BACK PANEL 900
11	DW3080287	PIEG SOTTOPORTA 900 NASTRO 2017	FRONT DOOR 900
12	DW3080318	PIEGATO STAFFA PER 5 PG29 NASTRO 2017	
13	DW80419	PRESSACAVO PG29 OBO	CABLE FITTING PG29 OBO
14	DW3080324	PIEG PROF L PER SCHIEN IPX5 NASTRO 2017	
15	DW3080325	PIEG PROF C PER SOTTOPO IPX5 NASTRO 2017	
16	DW15123	INIETTORE DETER. A GOMITO INOX	S/S DOSING PUMP INJECTOR
17	DW14508	TUBO EPDM 4.5X9 PER PRESSOSTATO	EPDM HOSE 4.5X9 FOR PRESSURE SWITCH
18	DW3003112	REED MICRO PORTA E530	MAGNETIC REED SWITCH
19	DW3009112	PIEG. SUPPORTO MAGNETE PER PORTA	ECONOMIZER MICROSWITCH SUPPORT
20	DW3070350	STAFFA TERMOSTATI RX	
21	DW2000430	TERMOSTATO DI SICUR. 110 1500PVC	SAFETY THERMOSTAT 110 1500PVC
21	DW3072158	TERMOSTATO DI SICUR. 90 1500PVC	SAFETY THERMOSTAT 90 1500PVC
22	DW88110	PRESSOSTATO 250-40	PRESSURE SWITCH 250-40
23	DW3009363	SUPPORTO PRESSOSTATO	PRESSURE-SWITCH SUPPORT
24	DW30001010	RESIST.6000/6530W 230/240V 3	6000/6530W 230/240V 3 HEATING ELEM.
24	DW30001011	RESIST.9000/9800W 230/240V 3	9000/9800W 230/240V 3 HEATING ELEM.
24	DW30001011/A	RESIST.12000/13070W 230/240V 3	12000/13070W 230/240V 3 HEATING ELEM.
24	DW30001011/B	RESIST.14000/15240W 230/240V 3	14000/15240W 230/240V 3 HEATING ELEM.
25	DW13015	GUARNIZIONE 6225 OR 160 NBR	6225 O-RING 160 NBR
26	DW75311	CUFFIOTTO PER RESISTENZA 26/03/97	HEATING ELEMENT COVER
27	DW80106	GABBIA D'ARIA INOX	AIR TRAP ASSEMBLY
28	DW13301	GUARNIZ. IN FASIT 202 D14x8x1,5	O-RING ROLMART D14X8X1,5
29	DW3071286	CARTER PER IPX4 /IPX5 ESTERNO	EXTERNAL PROTECTION IPX4/IPX5
30	DW80116	"PIEDINO 2" REG. 112-215 A304"	"ADJUSTABLE FOOT 112-215 2""
33	DW3060319	STAFFA SUPPORTO GOCCIOLATOIO LAV.	DRIP BRACKET
34	DW3080326	PIEG PROFILO A L SOTTOPO IPX5 NASTRO 2017	
35	DW3060140	PIEG PETTINE GIUNZ VASCHE PARASPRUZ STD	SPLASH GUARD RACK
36	DW3080241	PIEG PROFILO GIUNZ VASCHE NASTRO 12017	

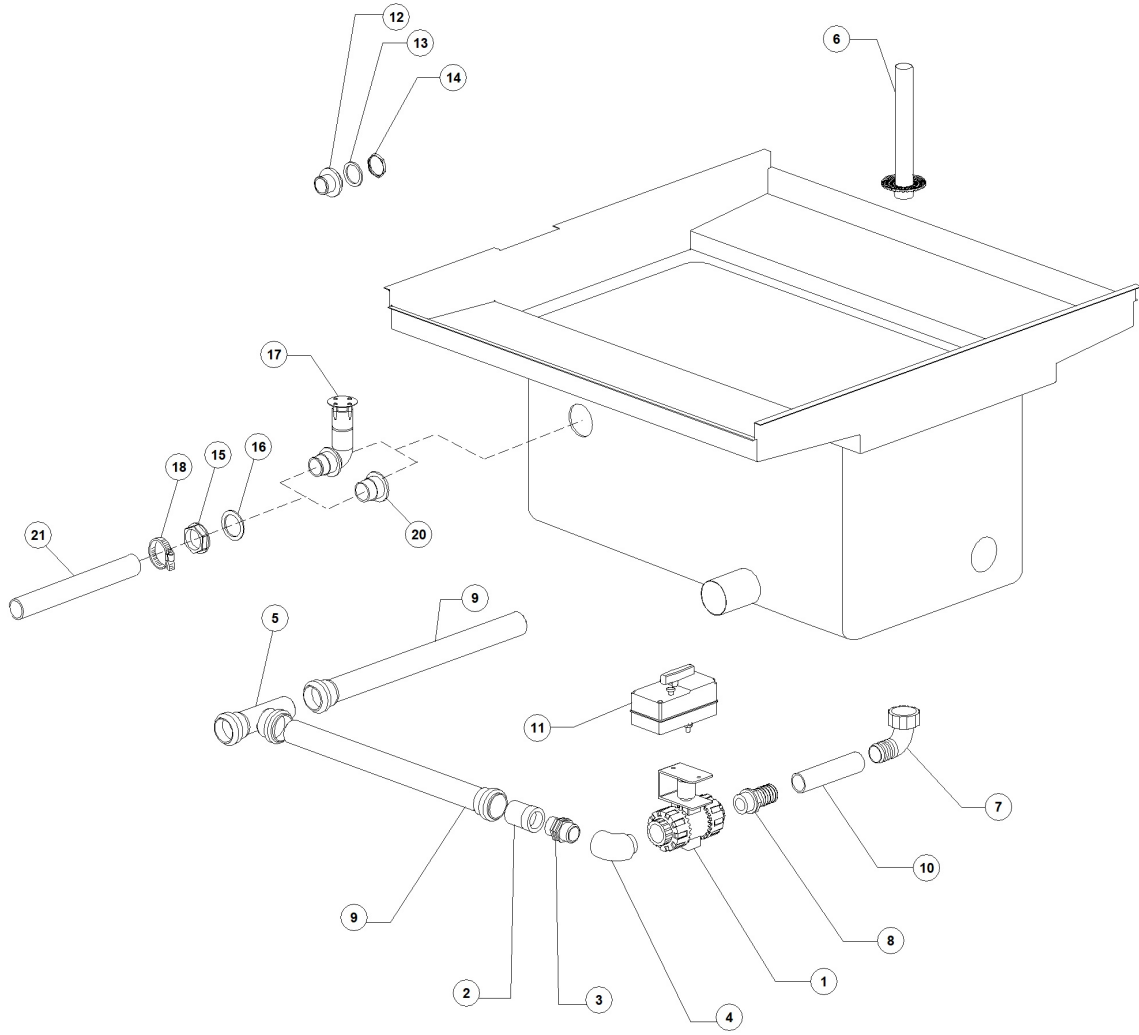
SQ416AS6 DX 3R DRF69 HRF20 400/3N/50 EAC - DWR1002383 - Wash ramp L=900 - DW250E



SQ416AS6 DX 3R DRF69 HRF20 400/3N/50 EAC - DWR1002383 - Wash ramp L=900 - DW250E

Pos.	Code	Descrizione	Description
1	DW3080291	PIEG SUP POMPA LAV-PRELAV NASTRO 2017	
2	DW3083056	PIANTONE RAMPE LAVAGGIO NASTRO 2017	EXTERNAL CONNECTION RAMP BELT MACHINE
3	DW3083068	RASTRELLIERA LAV 900 INF NASTRO 2017	LOWER 900 WASH SPRAY ARMS RACK 2017
4	DW3083069	RASTRELLIERA LAV 900 SUP NASTRO 2017	UPPER 900 WASH SPRAY ARMS RACK 2017
5	DW3083061	TUBO LAVAGGIO LATERALE NASTRO 2017	SIDE WASH ARM BELT MACHINE
6	DW3071027	TAPPO RETTANGOLARE PER RAMPA RX	RECTANGULAR PLUG FOR RAMP
7	DW3083059	GUIDA INF DX PER RASTRELLIERE NASTRO2017	RACK RIGHT LOWER GUIDE
8	DW3083058	GUIDA INF SX PER RASTRELLIERE NASTRO2017	RACK LEFT LOWER GUIDE
9	DW3083060	GUIDA SUP SX PER RASTRELLIERE NASTRO2017	RACK LEFT UPPER GUIDE BELT MACHINE
10	DW3083057	GUIDA SUP DX PER RASTRELLIERE NASTRO2017	RACK RIGHT UPPER GUIDE
11	DW3071026	GHIERA PER TAPPO RAMPA RX	RING NUT FOR RISER PLUG
12	DW80304	TAPPO PER UGELLO TERMINALE GRIGIO	GREY WASH ARM PLUG
13	DW80305	GUARNIZIONE PER TAPPO TUBO GIRANTE	ARM PLUG GASKET
14	DW3071117	GUARNIZIONE OR 02131	
15	DW3083063	GUARNIZIONE OR 3087 NBR70	
16	DW3083055	FLANGIA COLLEGAMENTO RAMPA NASTRO 2017	RISER LINK FLANGE BELT MACHINE
17	DW3083090	EPDM D.60 MANIC. A GOMITO ASPIRAZIONE	ELBOW SUCTION PIPE COUPLING D.60
18	DW3083079	POMPA HP2.7 230-240/380-415 50 Hz	PUMP HP2.7 230-240/380-415V/50HZ
19	DW3083089	MANICOTTO RADIO D60 L700	PIPE COUPLING D.50 L700
20	DW3019071	FILTRO ASPIRAZIONE POMPA	SUCTION FILTER
21	DW3060202	GUARNIZIONE DISTRIB MOD.99977	SPRAY ARMS ASSEMBLY/RISER GASKET
22	DW13008	GUARNIZIONE OR 147 NBR	O-RING 147 NBR (MIN. 5 PCS)
22	DW13013	GUARNIZIONE OR 4118 NBR NB702822	O-RING 137 NBR
23	DW105996	GUARNIZIONE OR 3218	O-RING 3218
24	DW2902491	FASCETTA AISI-430 60/80	CLAMP 60/80 AISI 430

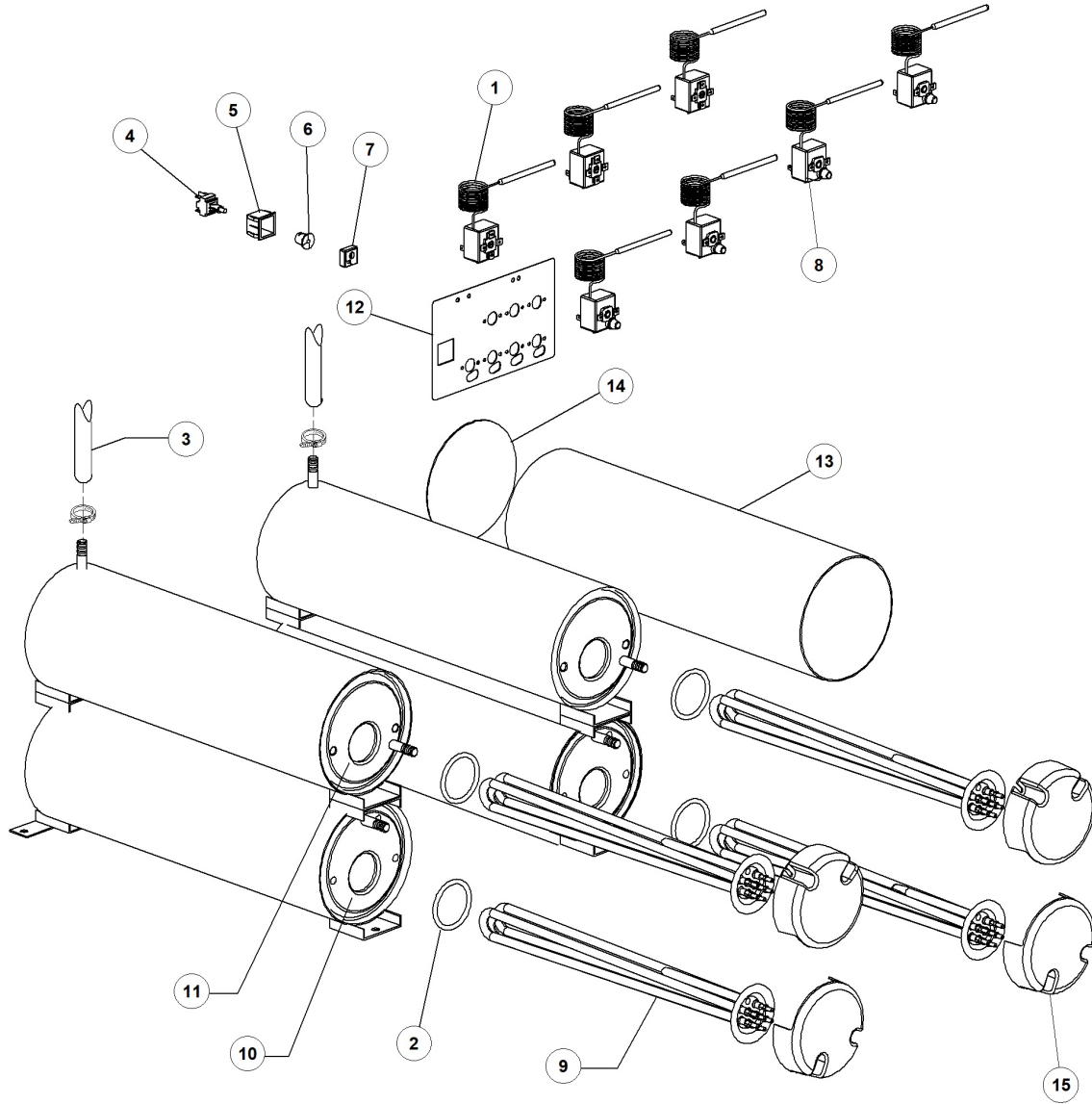
SQ416AS6 DX 3R DRF69 HRF20 400/3N/50 EAC - DWR1002383 - Wash drain L=900 - DW250E



SQ416AS6 DX 3R DRF69 HRF20 400/3N/50 EAC - DWR1002383 - Wash drain L=900 - DW250E

Pos.	Code	Descrizione	Description
2	DW3071107	PE-GIUN FIL.INT. 40X1' PER VALV SCARICO	"DRAIN VALVE THREADED JOINT 40X1'"
3	DW3071106	DTI-NIPLES POLIET 1' PER VALV SCARIC	"NIPPLE FOR DRAIN VALVE 1'"
4	DW3071105	"DTI-GOMITO POLIET 1" M-F PER VALV SCARIC"	"ELBOW FOR DRAIN VALVE 1" M-F"
5	DW3060176	RACCORDO TI PP F-F-M 40	UNION TEE PP 40 F-F-M
6	DW3080057	ASS FILTRO SCARICO NASTRO 2017	DRAIN FILTER ASSEMBLY BELT MACHINE
7	DW15613	"GOMITO NYLON SCARICO 1"1/4X32"	"DRAIN ELBOW 1" 1/4X32"
8	DW3071277	"PORTAGOMMA DIRITTO M 1" X 32 IN PP"	"PP HOSE CONNECTOR M1"X32"
9	DW3060250	PP-TUBO 2 BICCH. HTDM 40/1,00	PP PIPE HTDM 40/1,00
10	DW18044	TUBO DIAM.28 EPDM LAV.SUP. STAR	D.28 EPDM PIPE
12	DW10701/B	PILETTA SCARICO DIRITTA	STRAIGHT FLOOR DRAIN
13	DW13305	GUARN.GOM.SCARICO 44x32x3 DIS.LS061	O RING FOR DRAIN ELBOW 44x32x3 DIS.LS061
14	DW11701/A	DADO INOX PER PIL. SCAR.	S/S NUT
15	DW392059	"GHIERA 1" 1/2 (TRAVASI 2008)"	"RING NUT 1" 1/2"
16	DW392060	GUARNIZIONE 65X47X3 NBR (TRAVASI 2008)	GASKET 65X47X3 NBR
17	DW392062	"MANICOTTO 1" 1/2 90° (TRAVASI 2008)"	
18	DW11806	FASCETTE AISI 430 25/40	CLAMP 25/40 AISI 430
20	DW392061	"MANICOTTO 1" 1/2 DRITTO (TRAVASI 2008)"	"PIPE COUPLING 1"1/2"
21	DW3060212	MANICOTTO RADIO D42	PIPE COUPLING D.42

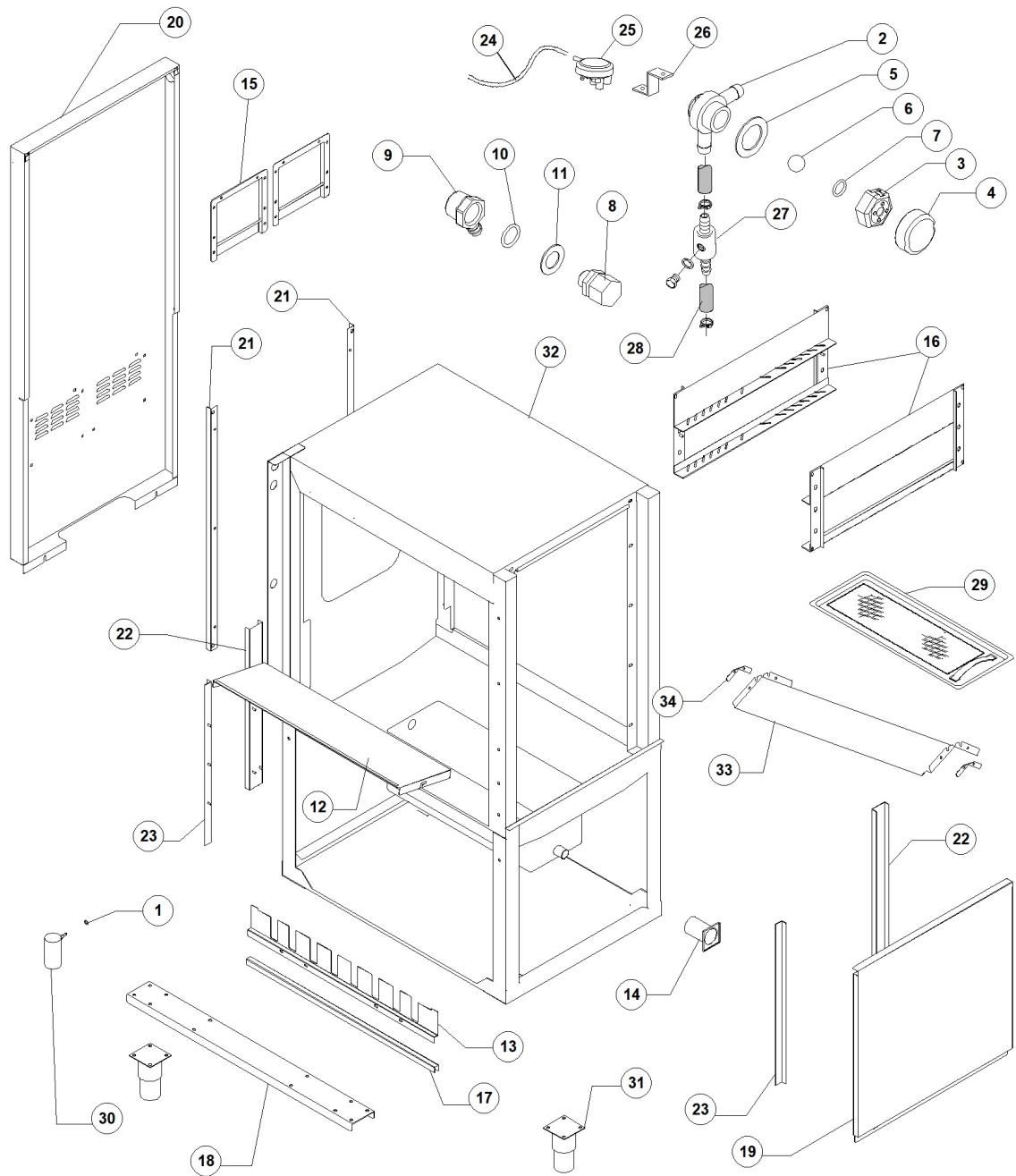
SQ416AS6 DX 3R DRF69 HRF20 400/3N/50 EAC - DWR1002383 - Boiler group - DW250E



SQ416AS6 DX 3R DRF69 HRF20 400/3N/50 EAC - DWR1002383 - Boiler group - DW250E

Pos.	Code	Descrizione	Description
1	DW10707/1	TERM.0-90 TR2 C1500+PVC POST.N/ALB	THERMOSTAT 0-90 TR2 C1500+PVC POST.N/ALB
2	DW13015	GUARNIZIONE 6225 OR 160 NBR	6225 O-RING 160 NBR
3	DW2907350	TUBO GOMMA EPDM 12X20	12X20 EPDM RUBBER PIPE
4	DW15812	FRUTTO INTERRUTTORE 16A	16A SWITCH
5	DW15815	SUPPORTO QUADRO SQ1 SINGOLO GRIGIO	SQUARE GREY SINGLE SUPPORT SQ1
6	DW15824	CAMMA VERDE-ARANCIO	GREEN-ORANGE CAM ROLL
7	DW15874	TASTO Q6 VERDE SERIG.ON-OFF	GREEN ON/OFF KEY Q6
8	DW2000430	TERMOSTATO DI SICUR. 110 1500PVC	SAFETY THERMOSTAT 110 1500PVC
9	DW30001010	RESIST.6000/6530W 230/240V 3	6000/6530W 230/240V 3 HEATING ELEM.
9	DW30001011	RESIST.9000/9800W 230/240V 3	9000/9800W 230/240V 3 HEATING ELEM.
9	DW30001011/A	RESIST.12000/13070W 230/240V 3	12000/13070W 230/240V 3 HEATING ELEM.
9	DW30001011/B	RESIST.14000/15240W 230/240V 3	14000/15240W 230/240V 3 HEATING ELEM.
10	DW3007012	BOILER D160x530 INF DOPPIO (AISI 316)	LOWER BOILER D160x530 (AISI 316)
11	DW3007013	BOILER D160x530 SUP DOPPIO (AISI 316)	UPPER BOILER D160x530 (AISI 316)
12	DW3009114	PUNZ. STAFFA SUPP. TERMOSTATI PRERI	ASSEMBLY PLATE
13	DW30002030	COIBENTAZIONE BOILER D.155X500	BOILER INSULATING D.155X500
14	DW75205	DISCO IN ESPANSOLENE. AUTOESTING. D.160	INSULATING DISK D.160
15	DW75311	CUFFIOTTO PER RESISTENZA 26/03/97	HEATING ELEMENT COVER

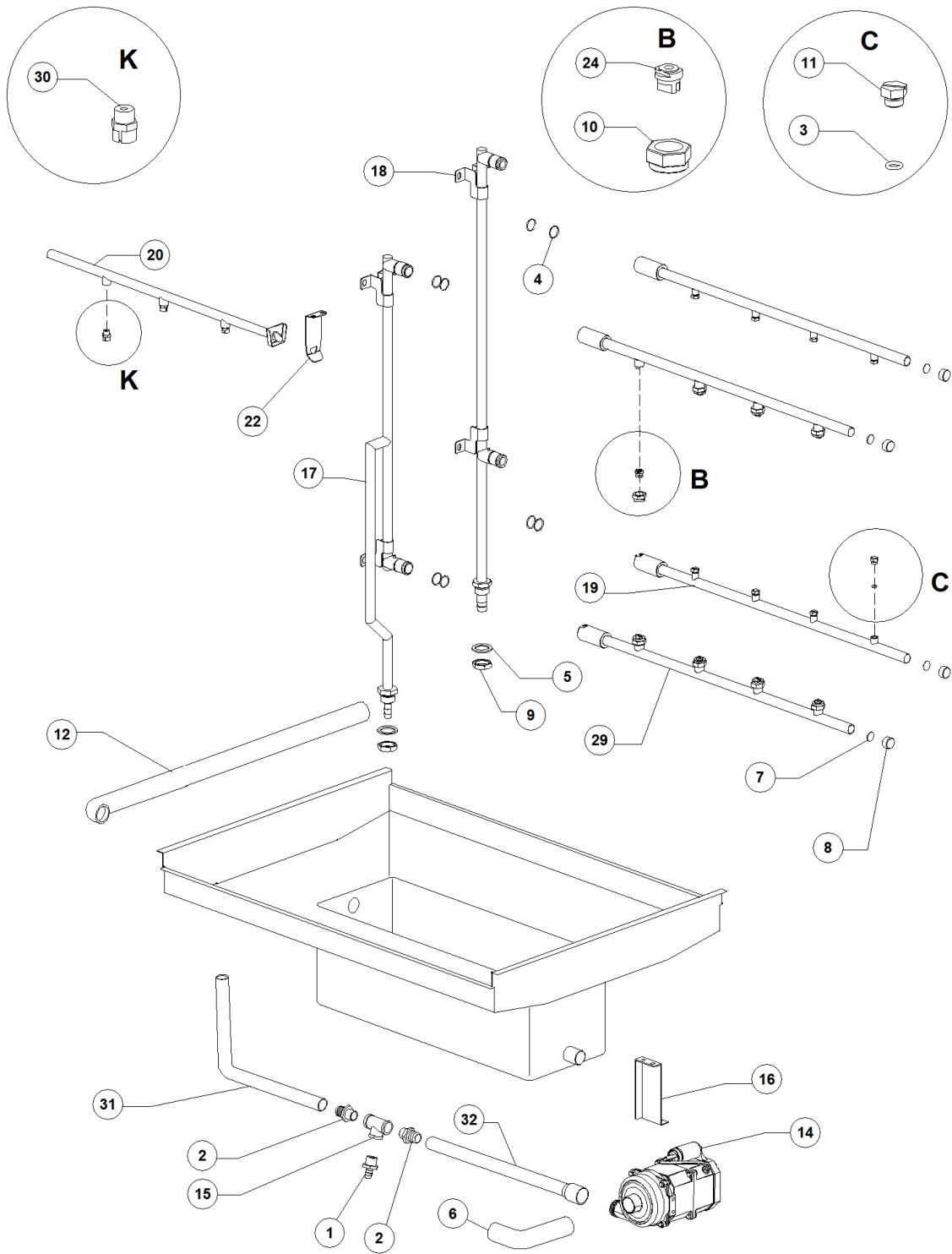
SQ416AS6 DX 3R DRF69 HRF20 400/3N/50 EAC - DWR1002383 - Rinsing L=600 - DW250E



SQ416AS6 DX 3R DRF69 HRF20 400/3N/50 EAC - DWR1002383 - Rinsing L=600 - DW250E

Pos.	Code	Descrizione	Description
1	DW13301	GUARNIZ. IN FASIT 202 D14x8x1,5	O-RING ROLMART D14X8X1,5
2	DW15280	CORPO CENTRALE VALVOLA DVGW 07	DRAIN VALVE CENTER BODY
3	DW15281	DADO VALVOLA DVGW 07	VALVE NUT
4	DW15282	COPRI DADO VALVOLA DVGW 07	VALVE NUT COVER
5	DW15283	GUARNIZIONE VALVOLA DVGW 07	VALVE GASKET
6	DW15284	"SFERA 5/8" VALVOLA DVGW 07"	"5/8" BALL FOR DVGW VALVE 07"
7	DW15285	GUARNIZIONE OR 115 KTW VALVOLA DVGW 07	O-RING 115 KTW
8	DW3003128	GOMITO DI CARICO G3/8	LOADING ELBOW G3/8
9	DW3003129	GOMITO PORTAGOMMA 12 - G3/8	ELBOW HOSE-CONNECTION 12 G3/8
10	DW3003130	GUARNIZIONE OR 123 NBR	O-RING 123 NBR
11	DW3009387	RONDELLA GOMITO CARICO	LOADING ELBOW WASHER
12	DW3060052	GOCCIOLATOIO RISCIAQUO FX	RINSE DRIP
13	DW3060140	PIEG PETTINE GIUNZ VASCHE PARASPRUZ STD	SPLASH GUARD RACK
14	DW3071166	FILTRO POMPA PRERIS RX PRO	
15	DW3071286	CARTER PER IPX4 /IPX5 ESTERNO	EXTERNAL PROTECTION IPX4/IPX5
16	DW3080025	ASSIEM GUIDA NASTRO 600 NASTRO 2017	
17	DW3080241	PIEG PROFILO GIUNZ VASCHE NASTRO 12017	
18	DW3080283	PIEG RINF PER SEMITELAIO NASTRO 2017	
19	DW3080286	PIEG SOTTOPORTA 600 NASTRO 2017	FRONT DOOR PANEL 600
20	DW3080293	PIEG TAMP POST 600 NASTRO 2017	REAR PANEL 600
21	DW3080324	PIEG PROF L PER SCHIEN IPX5 NASTRO 2017	
22	DW3080325	PIEG PROF C PER SOTTOPO IPX5 NASTRO 2017	
23	DW3080326	PIEG PROFILO A L SOTTOPO IPX5 NASTRO 2017	
24	DW14508	TUBO EPDM 4.5X9 PER PRESSOSTATO	EPDM HOSE 4.5X9 FOR PRESSURE SWITCH
25	DW10706/A	"PRESSOSTATO "EL." 46-26"	PRESSURE SWITCH 46-26
26	DW3009363	SUPPORTO PRESSOSTATO	PRESSURE-SWITCH SUPPORT
27	DW3003906/A	DERIV. A T ENTR. BRILL. SENZA TAPPO	"T-PIECE W/PLUG 1/8""
28	DW2907350	TUBO GOMMA EPDM 12X20	12X20 EPDM RUBBER PIPE
29	DW3083051	STAMP. FILTRO PRERISC+MANIGL NASTRO 2017	
30	DW80106	GABBIA D'ARIA INOX	AIR TRAP ASSEMBLY
31	DW80116	"PIEDINO 2" REG. 112-215 A304"	"ADJUSTABLE FOOT 112-215 2""
32	DW3080001	MODULO RIS NASTRO PRO 2017	DOOR ASSEMBLY 1300 RX
33	DW3080322	PIEG GOCCIOLATOIO LAVAGGIO NASTRO 2017	
34	DW3060319	STAFFA SUPPORTO GOCCIOLATOIO LAV.	DRIP BRACKET

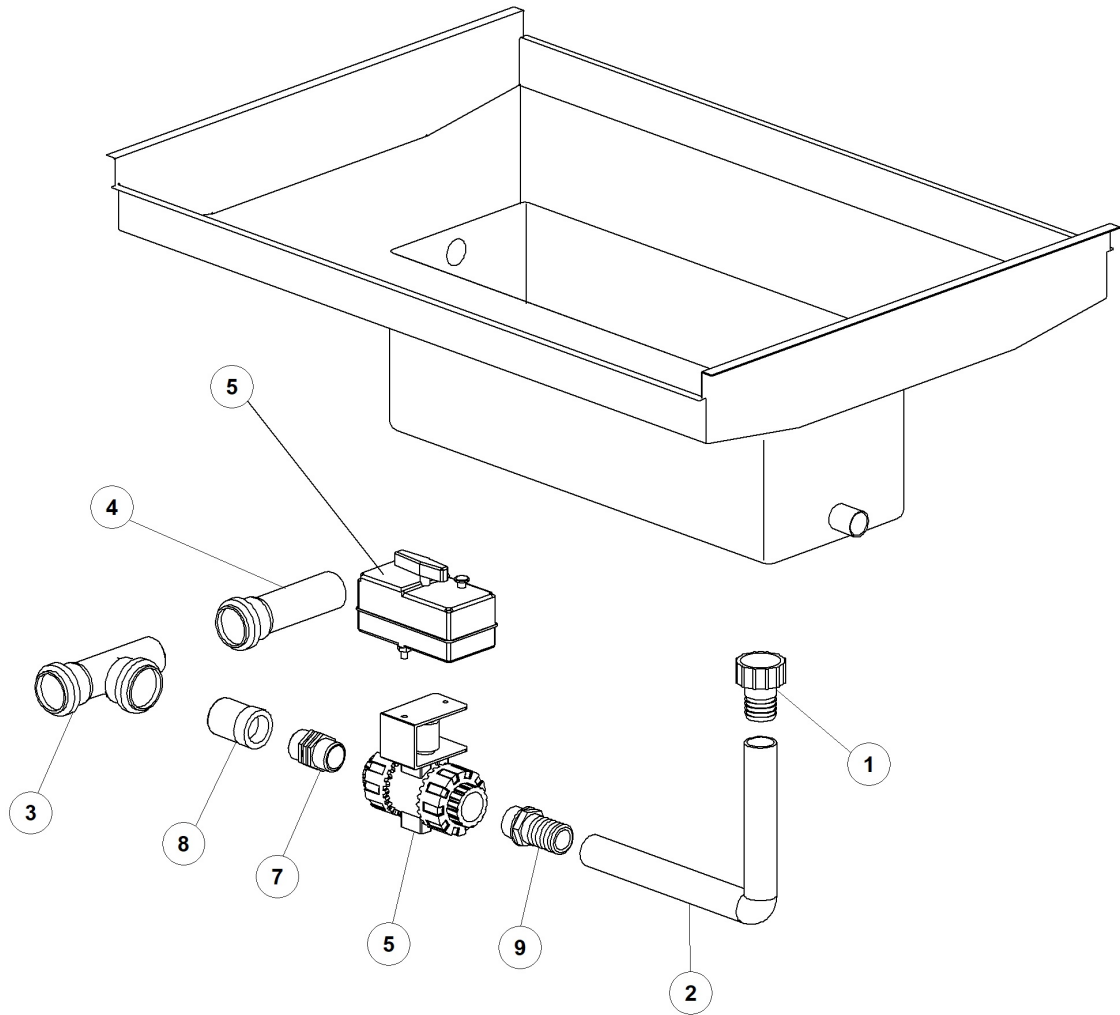
SQ416AS6 DX 3R DRF69 HRF20 400/3N/50 EAC - DWR1002383 - Rinsing ramp L=600 - DW250E



SQ416AS6 DX 3R DRF69 HRF20 400/3N/50 EAC - DWR1002383 - Rinsing ramp L=600 - DW250E

Pos.	Code	Descrizione	Description
1	DW3071299	PORTAGOMMA M 1/2 DIAM 12 PG260 INOX	S/S HOSE CONNECTOR 10 M1/2 PG260
2	DW12038	PORTAGOMMA M 1/2 P20	HOSE CONNECTOR M1/2 P20
3	DW13002	GUARNIZIONE OR R6 NBR	O-RINGR R6 NBR (MIN. 10 PCS)
4	DW13025	GUARNIZIONE OR 2081	O-RING 2081
5	DW13326	GUARNIZIONE D.38X27X2	GASKET D.38X27X2
6	DW18044	TUBO DIAM.28 EPDM LAV.SUP. STAR	D.28 EPDM PIPE
7	DW2002051	GUARN. EPDM TAPPO RISC. D.17,5X1,5	GASKET EPDM D.17,5X1,5
8	DW2002054	TAPPO M18X1 D21X9	PLUG M18X1 D21X9
9	DW2200103	DADO 3/4 ES.32X8 OTTONE PER TRAINO	HEXAGONAL BRASS NUT 3/4
10	DW2200116	I-GHIERA 3/8F INOX	"S/S RING NUT 3/8" F"
11	DW2200120	UGELLO PRERISCIACQUO 1/8M GAS	PRERINSE NOZZLE 1/8M GAS
12	DW30002021	TUBO EPDM MANDATA LAV. SUPERIORE	TOP EPDM DELIVERY WASH PIPE
14	DW3071096	POMPA 0.27HP 220V/50Hz	PUMP HP0.27 220-240V/50HZ
15	DW3071216	RACCORDO INOX T 1/2 F-F-F	"S/S UNION TEE 1/2" F-F-F"
16	DW3080346	PIEG STAFFA SUP. POMPA PRERIS NASTR 2017	
17	DW3083020	AS. RAMP A RISCIAQUO NASTRO 2017	RINSE RISER ASSEMBLY BELT MACHINE
18	DW3083021	AS. RAMP A PRERISCIACQUO NASTRO 2017	PRERINSE RISER ASSEMBLY BELT MACHINE
19	DW3083026	BRACCIO PRERISC NASTRO 2017	PRERINSE ARM FOR BELT MACHINE
22	DW3083050	STAF. AGG BRACCIO PREPRE-AMM NASTRO 2017	ARM ATTACHMENT BRACKET-BELT MACHINE
24	DW3083095	UGELLO RISC A LAMA 02 110mm INOX CDR	
29	DW3083104	BRACCIO RISC NASTRO 2017	RINSE ARM FOR BELT MACHINE
30	DW2200120	UGELLO PRERISCIACQUO 1/8M GAS	PRERINSE NOZZLE 1/8M GAS

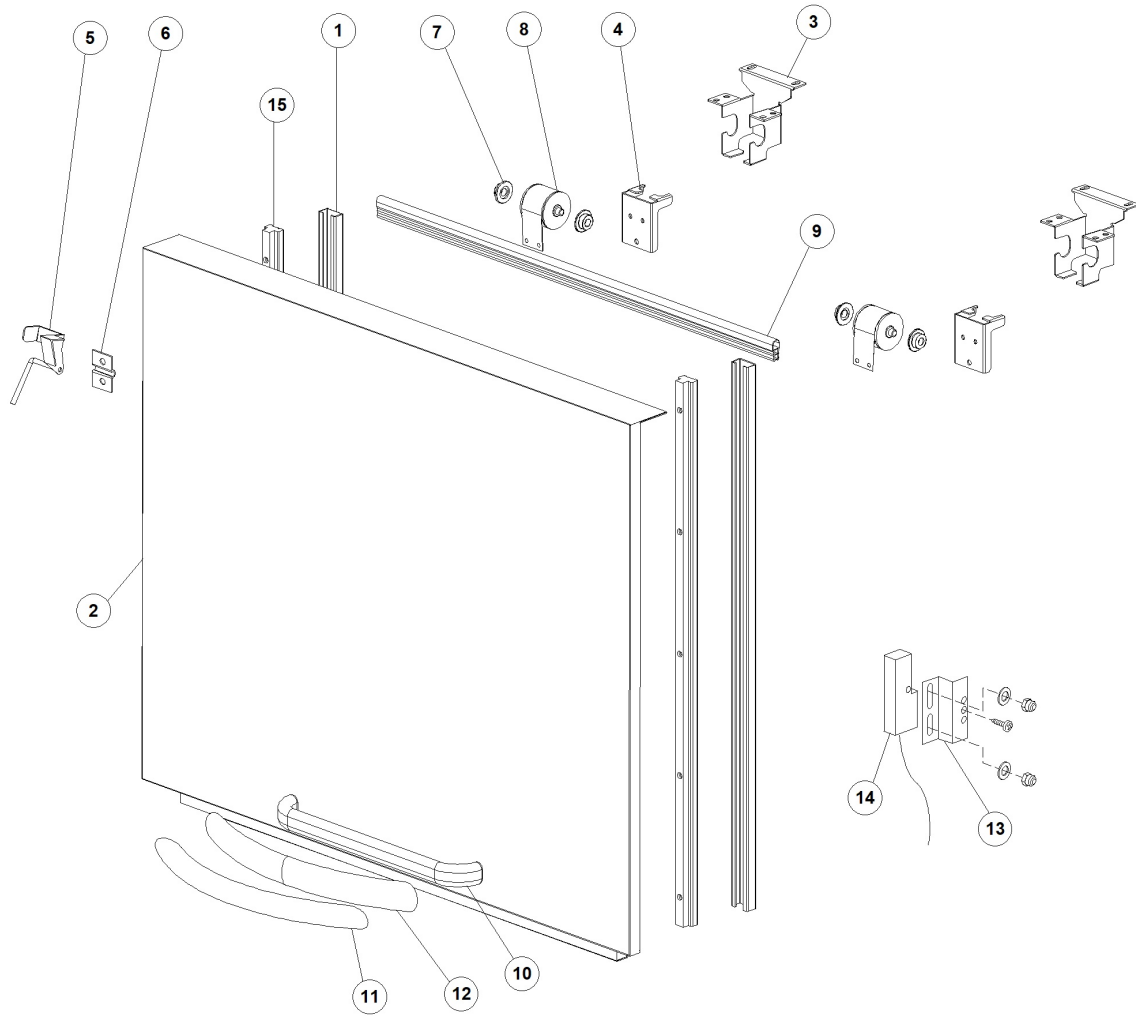
SQ416AS6 DX 3R DRF69 HRF20 400/3N/50 EAC - DWR1002383 - Rinsing drain L=600 - DW250E



SQ416AS6 DX 3R DRF69 HRF20 400/3N/50 EAC - DWR1002383 - Rinsing drain L=600 - DW250E

Pos.	Code	Descrizione	Description
1	DW15613/A	"PORTAGOMM.SCARICO 1"1/4X32 DRITTO"	"STRAIGHT HOSE CONNECTOR 1"1/4X32"
2	DW18044	TUBO DIAM.28 EPDM LAV.SUP. STAR	D.28 EPDM PIPE
3	DW3060176	RACCORDO TI PP F-F-M 40	UNION TEE PP 40 F-F-M
4	DW3060250	PP-TUBO 2 BICCH. HTDM 40/1,00	PP PIPE HTDM 40/1,00
7	DW3071106	DTI-NIPLES POLIET 1' PER VALV SCARIC	"NIPPLE FOR DRAIN VALVE 1'"
8	DW3071107	PE-GIUN FIL.INT. 40X1' PER VALV SCARICO	"DRAIN VALVE THREADED JOINT 40X1'"
9	DW3071277	"PORTAGOMMA DIRITTO M 1" X 32 IN PP"	"PP HOSE CONNECTOR M1"X32"

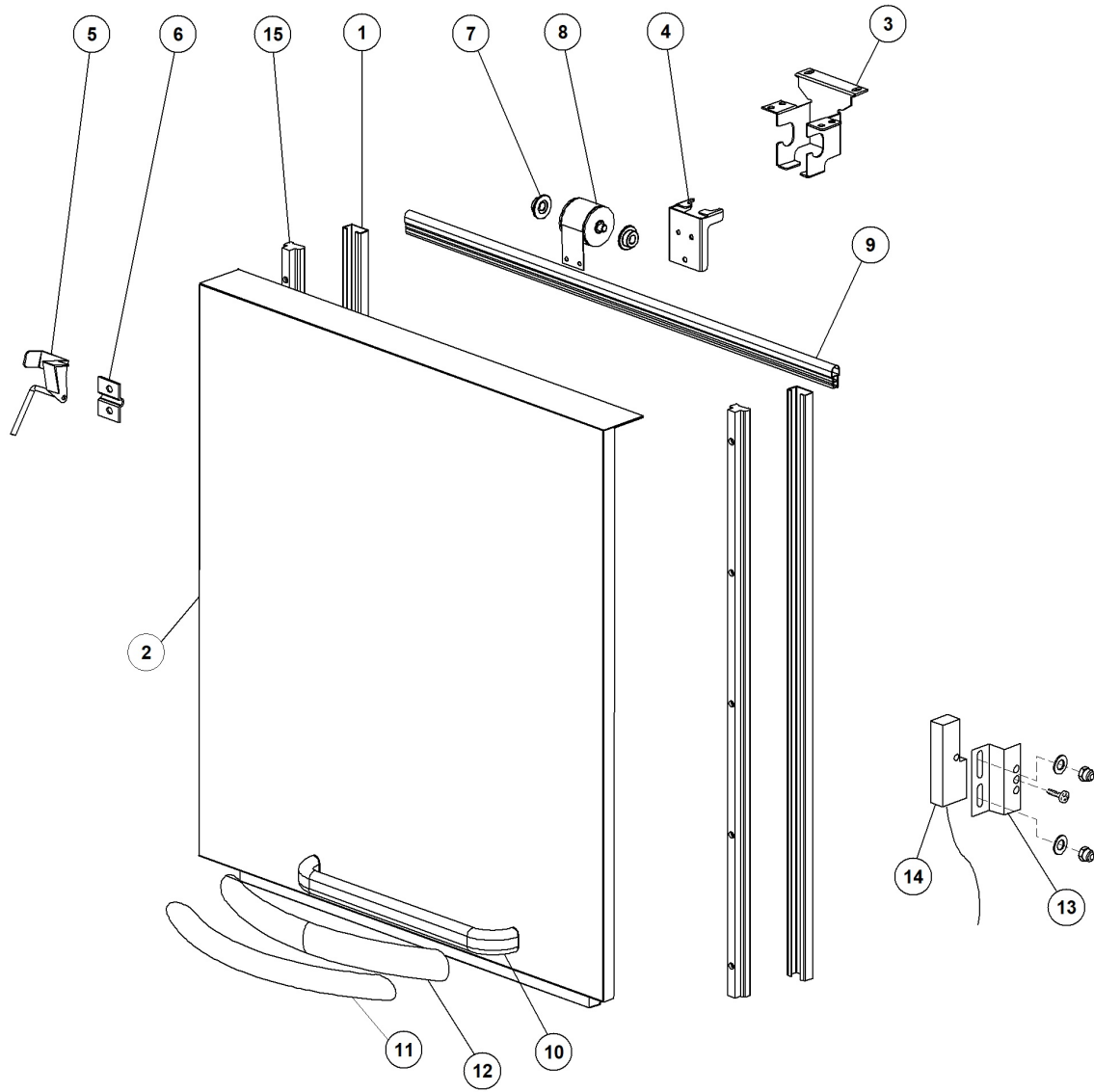
SQ416AS6 DX 3R DRF69 HRF20 400/3N/50 EAC - DWR1002383 - Door L=900 - DW250E



SQ416AS6 DX 3R DRF69 HRF20 400/3N/50 EAC - DWR1002383 - Door L=900 - DW250E

Pos.	Code	Descrizione	Description
1	DW3080270	PIEG. GUIDA PATTINO NASTRO 2017	
2	DW3080017	ASSIEME PORTA 900 NASTRO 2017	DOOR ASSEMBLY 900
3	DW3070198	PIEG. SUPPORTO MOLLA L50 RX QX (N)	SPRING SUPPORT L50
4	DW3070134	PIEG. FERMO PORTA RX	DOOR STOP
5	DW3000315	GANCIO SICUREZZA PORTA FX/CX	SAFETY DOOR HOOK
6	DW3000314	STAFFA SICUREZZA PORTA FX/CX	DOOR SAFETY BRACKET
7	DW3004012	SPALLA SUPPORTO MOLLA PORTA	SPRING HOLDER
8	DW3004013	MOLLA INOX PER PORTA MOD.BBSR22	DOOR SPRING BBSR22
9	DW3071114	GUARNIZIONE PORTA	DOOR SEAL
10	DW22215	MANIGLIA INOX TUBO OVALE 30x15 INT.340	OVAL S/S HANDLE
13	DW3009112	PIEG. SUPPORTO MAGNETE PER PORTA	ECONOMIZER MICROSWITCH SUPPORT
14	DW3003112	REED MICRO PORTA E530	MAGNETIC REED SWITCH
15	DW3083006	PROFILO PATTINO GUIDA PORTA L800 2017	COMPL. PLATFORM ASSEMBLY 900 RX

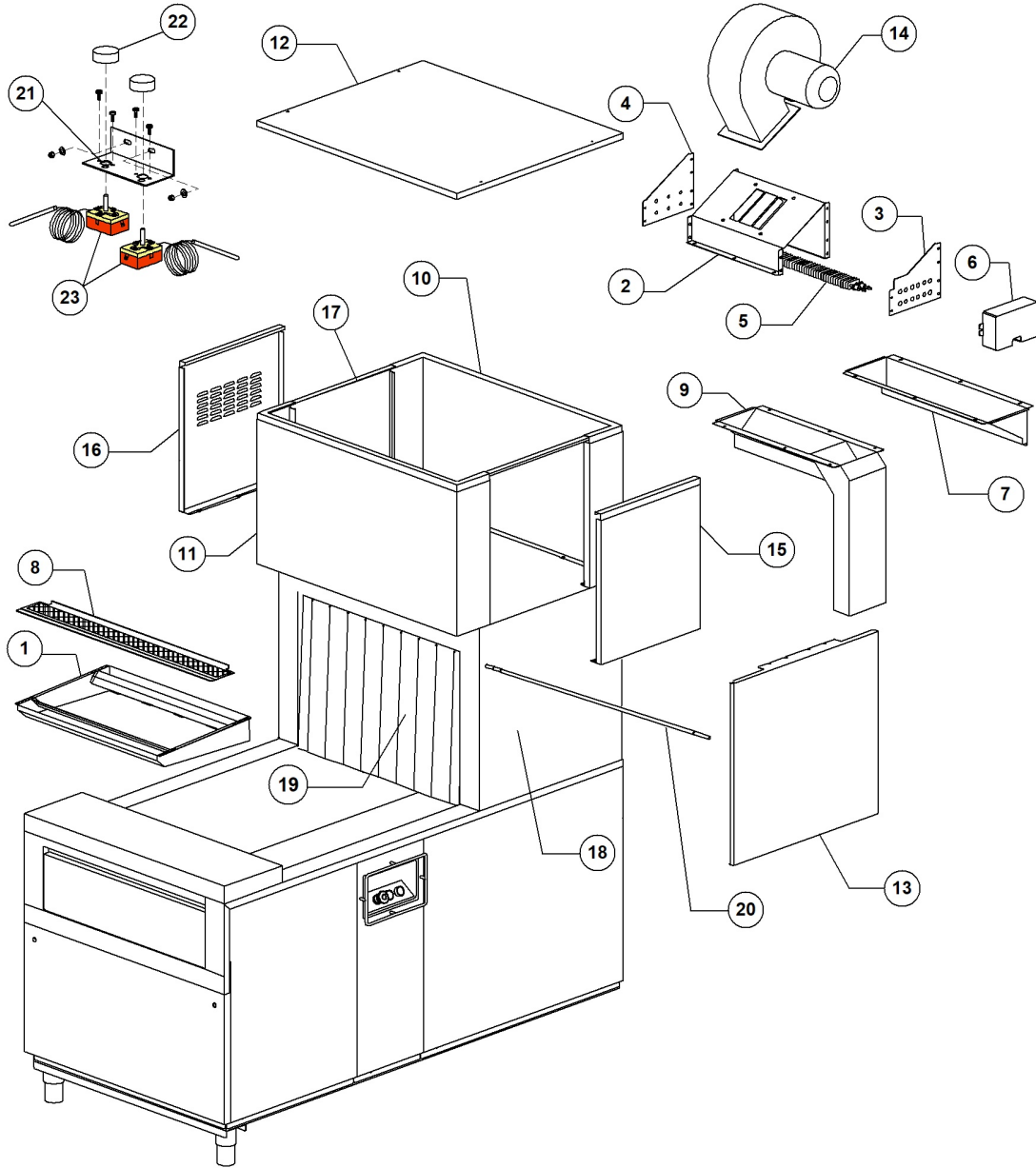
SQ416AS6 DX 3R DRF69 HRF20 400/3N/50 EAC - DWR1002383 - Door L=600 - DW250E



SQ416AS6 DX 3R DRF69 HRF20 400/3N/50 EAC - DWR1002383 - Door L=600 - DW250E

Pos.	Code	Descrizione	Description
1	DW3080270	PIEG. GUIDA PATTINO NASTRO 2017	
2	DW3080016	ASSIEME PORTA 600 NASTRO 2017	DOOR ASSEMBLY 600
3	DW3070198	PIEG. SUPPORTO MOLLA L50 RX QX (N)	SPRING SUPPORT L50
4	DW3070134	PIEG. FERMO PORTA RX	DOOR STOP
5	DW3000315	GANCIO SICUREZZA PORTA FX/CX	SAFETY DOOR HOOK
6	DW3000314	STAFFA SICUREZZA PORTA FX/CX	DOOR SAFETY BRACKET
7	DW3004012	SPALLA SUPPORTO MOLLA PORTA	SPRING HOLDER
8	DW3071120	MOLLA PER PORTA MOD 600/1300 RX	DOOR SPRING
9	DW3071114	GUARNIZIONE PORTA	DOOR SEAL
10	DW22215	MANIGLIA INOX TUBO OVALE 30x15 INT.340	OVAL S/S HANDLE
13	DW3009112	PIEG. SUPPORTO MAGNETE PER PORTA	ECONOMIZER MICROSWITCH SUPPORT
14	DW3003112	REED MICRO PORTA E530	MAGNETIC REED SWITCH
15	DW3083006	PROFILO PATTINO GUIDA PORTA L800 2017	COMPL. PLATFORM ASSEMBLY 900 RX

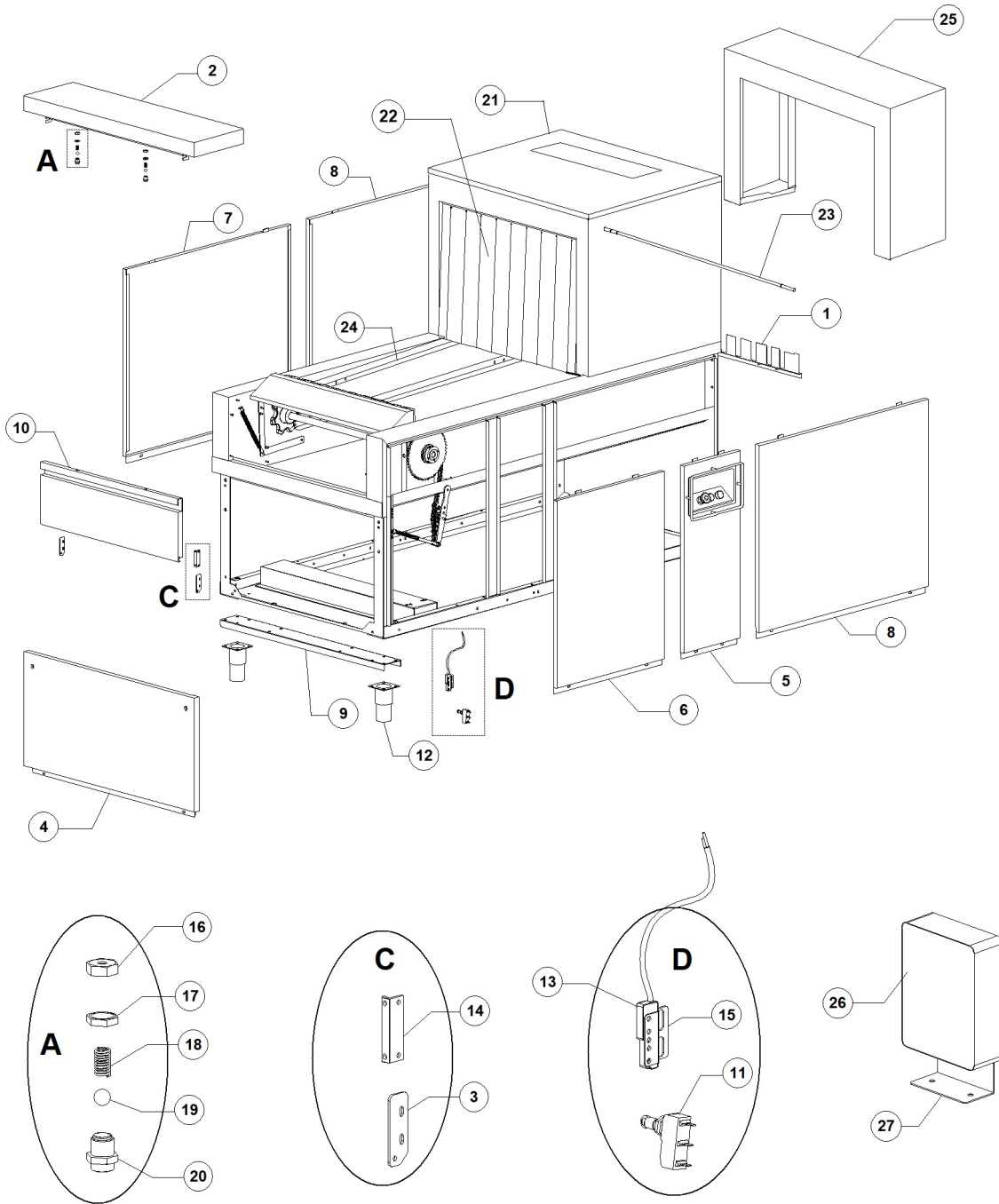
SQ416AS6 DX 3R DRF69 HRF20 400/3N/50 EAC - DWR1002383 - Drying - DW250E



SQ416AS6 DX 3R DRF69 HRF20 400/3N/50 EAC - DWR1002383 - Drying - DW250E

Pos.	Code	Descrizione	Description
1	DW3060295	ASSIEME RICIRCOLO ARIA SU ASCIUGATURA FX	DEFLECTOR FOR DRYER AIR RECIRCULATION
2	DW3070561	PIEG. CARTER RESIST ASCIUG RX 2020 (N)	
3	DW3070142/A	FRONTE CARTER PER RES RET RX 2017 (N)	
4	DW3070177/A	POST CARTER PER RES RET RX 2017 (N)	
5	DW3071075	RESISTENZA RETTANGOLARE 1,5 kW	1500W RECTANGULAR HEATING ELEM.
6	DW3071078	SCATOLA COPRIRRESISTENZE RX	BOITE DE PROTECTION RESISTANCES
7	DW3080048	ASSIEME TRAMOGGIA NASTRO 2017	AIR CONVEYOR ASSEMBLY BELT MACHINE
8	DW3080053	ASS RETE PROTEZIONE ASCIUG NASTRO 2017	DOOR ASSEMBLY 1300 RX
10	DW3080203	PIEG CARTER ASCIUG DX NASTRO 2017	RIGHT DRYER PANEL BELT MACHINE
11	DW3080204	PIEG CARTER ASCIUG SX NASTRO 2017	LEFT DRYER PANEL BELT MACHINE
12	DW3080214	PIEG COPERCHIO ASCIUG NASTRO 2017	SHELF DRYER COVER BELT MACHINE
14	DW3003118	MOTOVENTILAT VMN604 0,25KW 230/400 50HZ	CENTRIFUGAL FAN 0,25KW 230/400V 50HZ
15	DW3080271	PIEG PORTA ASCIUG NASTRO 2017	DRYER MODULE DOOR
16	DW3080272	PIEG PORTA ASCIUG CON GELOS NASTRO 2017	DRYER MODULE DOOR W/VENTILATION GRID
17	DW3080279	PIEG RINF PORTA ASCIUG NASTRO 2017	
18	DW3080020	ASS PARASPRUZZI 650 ASCIUG NASTRO 2017	DRYER SPLASH GUARD L650 BELT MACHINE
19	DW3060023	TENDINA PARASP. ESTERNA LUNGA FX	LONG EXTERNAL SPALSH GUARD CURTAIN
20	DW3060026	ASTA SOSTEGNO TENDA ESTERNA FX	EXTERNAL CURTAIN ROD
21	DW3009104	PIEG. SQ. TERMOSTATI PER ASCIUGATUR (N)	DRYER THEMOSTATS SUPPORT
22	DW15105/C	MANOPOLA TERMOSTATO 0-300¶∅C	THERMOSTAT KNOB 0-300¶∅C
23	DW10707/3	TERMOSTATO TR2 0-280¶∅ C/ALB	THERMOSTAT TR2 0-280¶∅ C/ALB

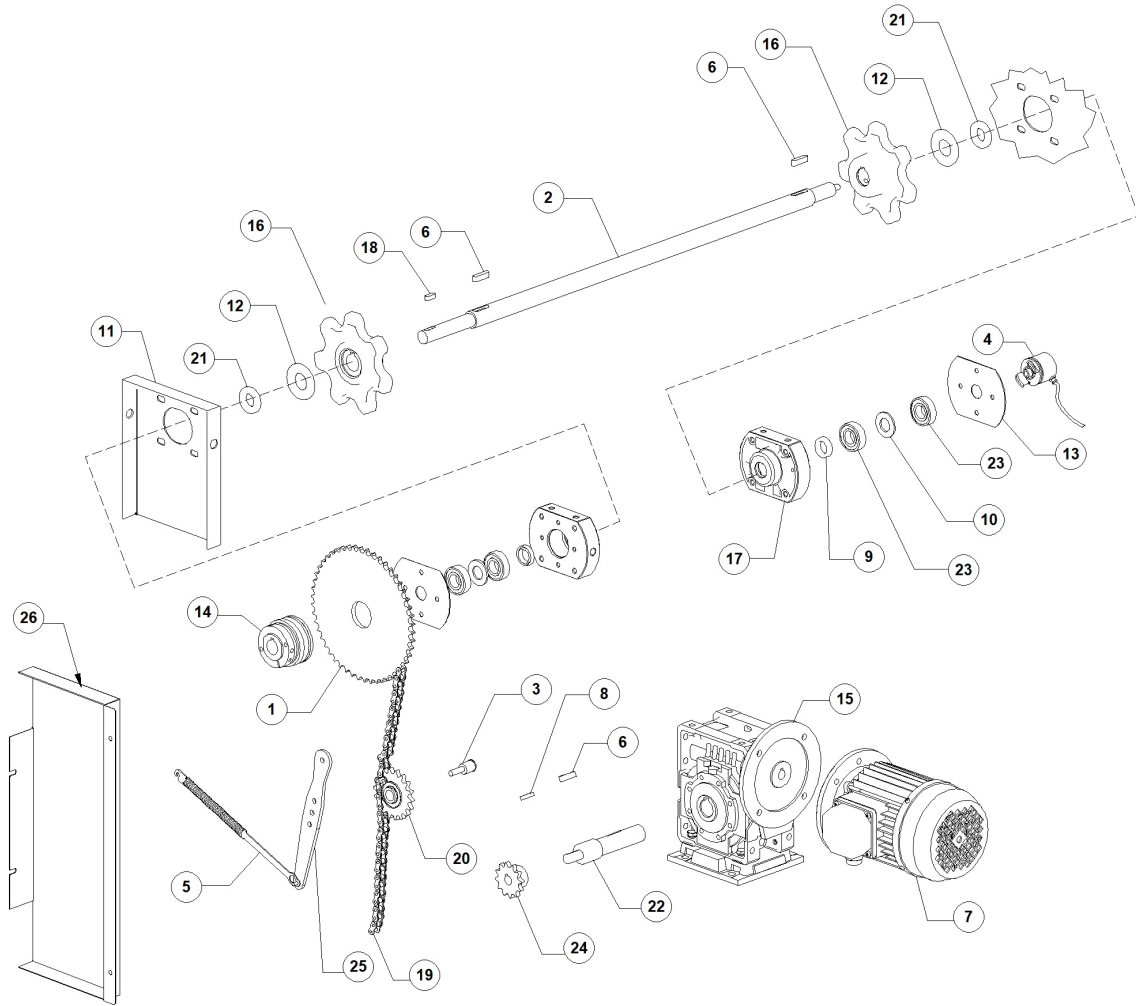
SQ416AS6 DX 3R DRF69 HRF20 400/3N/50 EAC - DWR1002383 - Exit shelf L=1800 - DW250E



SQ416AS6 DX 3R DRF69 HRF20 400/3N/50 EAC - DWR1002383 - Exit shelf L=1800 - DW250E

Pos.	Code	Descrizione	Description
1	DW3060140	PIEG PETTINE GIUNZ VASCHE PARASPRUZ STD	SPLASH GUARD RACK
2	DW3080046	ASS CARTER SUP MENSOLA USC NASTRO 2017	DOOR ASSEMBLY 1300 RX
3	DW3080202	PUNZ BLOCCO CERN MENSOLA NASTRO 2017	
4	DW3080248	PIEG PANNELLO FRONTALE NASTRO 2017	SHELF FRONT PANEL
5	DW3080251	PIEG PANNELLO MENSOLA 300 NASTRO 2017	SHELF FRONT PANEL 300 BELT MACHINE
6	DW3080255	PIEG PAN MENSOLA 575 NASTRO 2017	SHELF PANEL 575 BELT MACHINE
7	DW3080257	PIEG PAN MENSOLA 875 NASTRO 2017	SHELF PANEL 875 BELT MACHINE
8	DW3080259	PIEG PAN MENSOLA 900 NASTRO 2017	SHELF PANEL 900 BELT MACHINE
9	DW3080283	PIEG RINF PER SEMITELAIO NASTRO 2017	
10	DW3080288	PIEG SPORTELLLO INF USCITA NASTRO 2017	
11	DW70305	FINECORSO A PULSANTE MF17	LIMIT STOP PUSH BUTTON
12	DW80116	"PIEDINO 2" REG. 112-215 A304"	"ADJUSTABLE FOOT 112-215 2"
13	DW3003112	REED MICRO PORTA E530	MAGNETIC REED SWITCH
14	DW80232	MAGNETE PER REED PER LP	REED MAGNETIC UNIC
15	DW3009112	PIEG. SUPPORTO MAGNETE PER PORTA	ECONOMIZER MICROSWITCH SUPPORT
16	DW10802	TAPPO CRICCO PORTA	DOOR JACK LOCKNUT (MIN. 3 PCS)
17	DW10801	DADO CRICCO PORTA	DOOR JACK NUT (MIN. 5 PCS)
18	DW10777	MOLLA PER CRICCO PORTA	DOOR JACK SPRING
19	DW10776	SFERA DIAM.9.52 INOX CRICC.PORT.3/8	S/S SPHERE D.9,52 SPRING LATCH 3/8
20	DW10803	CORPO CRICCO PORTA	DOOR JACK BODY
21	DW3080020	ASS PARASPRUZZI 650 ASCIUG NASTRO 2017	DRYER SPLASH GUARD L650 BELT MACHINE
22	DW3060023	TENDINA PARASP. ESTERNA LUNGA FX	LONG EXTERNAL SPALSH GUARD CURTAIN
23	DW3060026	ASTA SOSTEGNO TENDA ESTERNA FX	EXTERNAL CURTAIN ROD
24	DW3080231	PIEG GUIDA MENSOLA 1800 USCI NASTRO (N)	
25	DW3080019	ASSIEM PARASPRUZZI 300 NASTRO 2017	SPLASH GUARD L300 BELT MACHINE

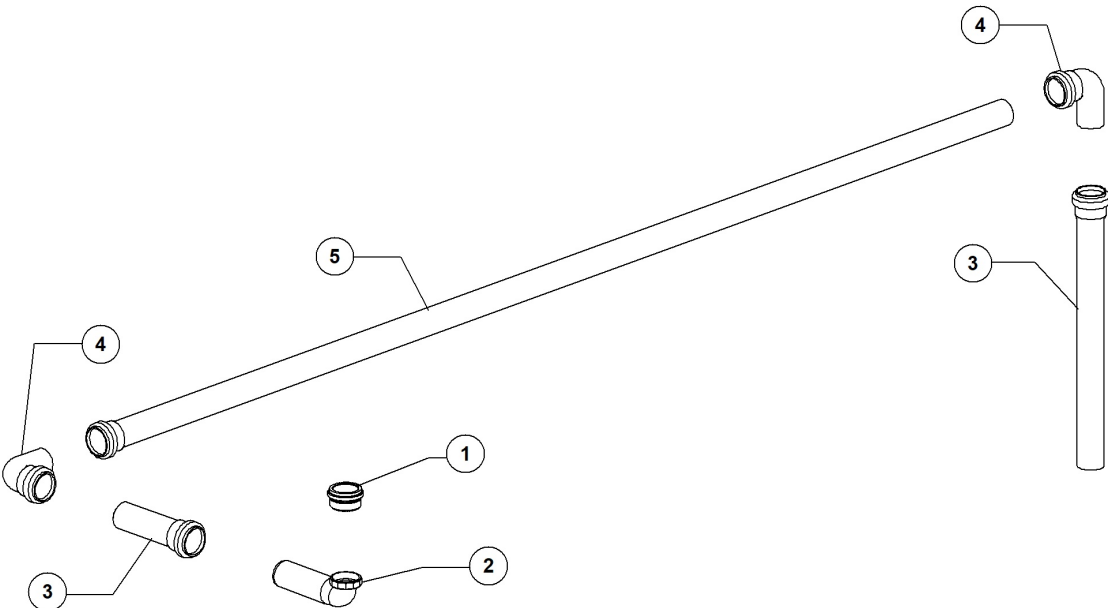
SQ416AS6 DX 3R DRF69 HRF20 400/3N/50 EAC - DWR1002383 - Exit shelf movement - DW250E



SQ416AS6 DX 3R DRF69 HRF20 400/3N/50 EAC - DWR1002383 - Exit shelf movement - DW250E

Pos.	Code	Descrizione	Description
1	DW3083013	"PIGNONE Z50 1/2" NASTRO 2017"	"PINION Z50 1/2""
2	DW3083016	ALBERO TRASCINAMENTO NASTRO 2017	CAPSTAN BELT MACHINE 2017
3	DW3083017	ALBERO PIGNONE TENDIC NASTRO 2017	TIGHTENER PULLEY SHAFT BELT MACHINE
4	DW3083036	ENCODER NASTRO 2017	ENCODER BELT MACHINE
5	DW560003	MOLLA SPORTELLO TEK6 FILO 1,7 DE12	DOOR SPRING
6	DW2001046	CHIAVETTA 8X7X30 INOX	S/S FLAT KEY 8X7X30
7	DW3000128	MOTORE TRAINO 4P 230V3 50Hz INVERTER	CONVEYOR MOTOR 4P 230V3 50HZ INVERTER
8	DW3060181	CHIAVETTA 5X5X25 INOX	S/S FLAT KEY 5X5X25
9	DW3060194	ANELLO TENUTA VITON 20.30.5 M.INOX	RING FOR HUB VITON 20.30.5 M.INOX
10	DW3060199	DISTANZIALE CUSCINETTI NASTRO	SPACER FOR BEARINGS
11	DW3080289	PIEG STAFFA SUP ALBERO NASTRO 2017	
12	DW3060323	ANELLO ALBERO FOLLE	NEUTRAL SHAFT RING
13	DW3080262	PARAOLIO SUPPORTO ASSE MOT NASTRO 2017	
14	DW3083010	LIMITATORE DI COPPIA A FRIZIONE gr1.7 DF	FRICITION TORQUE LIMITER gr1.7 DF
15	DW3083012	RIDUTTORE 1:100 SENZA FRIZIONE	1:100 REDUCTION GEAR WITHOUT CLUTCH
16	DW3060022	PULEGGIA TRASC.NASTRO P60 Z7 (min. 2 pz)	CAPSTAN PULLEY BELT MACHINE
17	DW3060028	SUPPORTO LATERALE ALBERO	NEUTRAL SHAFT SIDE SUPPORT
18	DW3060032	CHIAVETTA 6X6X20 INOX	S/S FLAT KEY 6X6X20
19	DW3060041	"CATENA 1/2" 08B"	"CHAIN 1/2" 08B"
20	DW3060042	PIGNONE TENDICATENA 1/2 Z18 FX	CHAIN TIGHTENER PINION 1/2 Z18
21	DW3060055	DISTANZIALE PULEGGIA ARNITE	PULLEY SPACER
22	DW3060180	ALBERO RIDUTTORE SITI	SIT REDUCTION GEAR SHAFT
23	DW3060131	CUSCINETTO SS6004 2RS 42-20-12 TEN. GOMM	S/S BEARING 6004 42X20X12 2RS
24	DW3060170	"PIGNONE Z12 1/2" 5/16""	"PINION Z12 1/2" 5/16""
25	DW3060167	TENDICATENA	CHAIN TIGHTENER

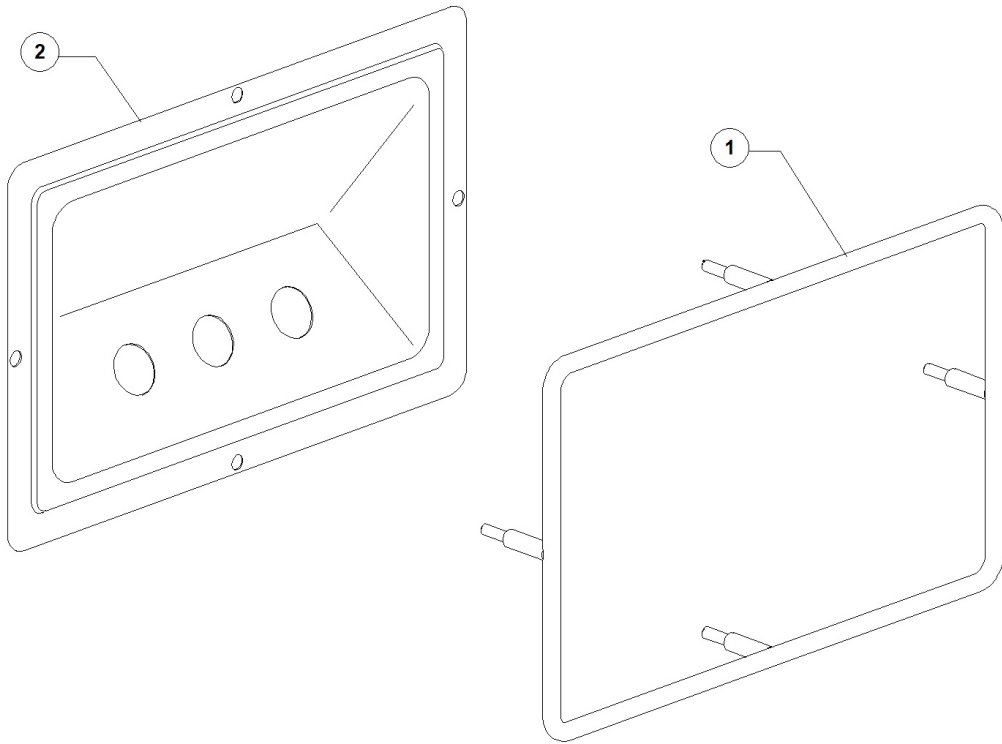
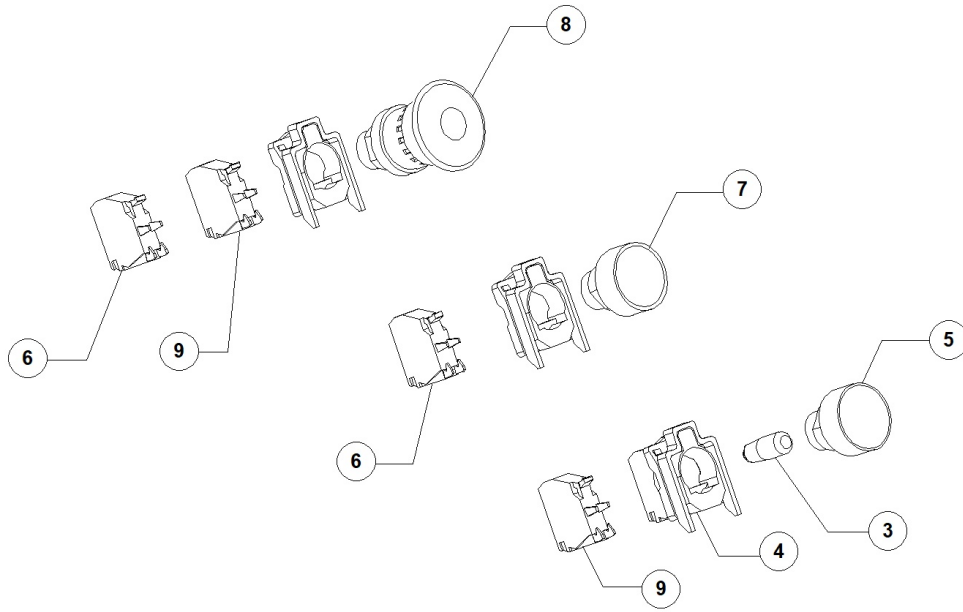
SQ416AS6 DX 3R DRF69 HRF20 400/3N/50 EAC - DWR1002383 - Shelf draining - DW250E



SQ416AS6 DX 3R DRF69 HRF20 400/3N/50 EAC - DWR1002383 - Shelf draining - DW250E

Pos.	Code	Descrizione	Description
1	DW3083155	BOCCOLA A SALDARE	
2	DW3060174	"CODULO CURV.DADO OTT.40X1"1/4PR"	"BENT TANG 40X1"1/4"
3	DW3060250	PP-TUBO 2 BICCH. HTDM 40/1,00	PP PIPE HTDM 40/1,00
4	DW3060175	PP-CURVA 90°∅ 87G30' HTB 40	
5	DW3060172	PP-TUBO 2 BICCH. HTDM 40/2,00	

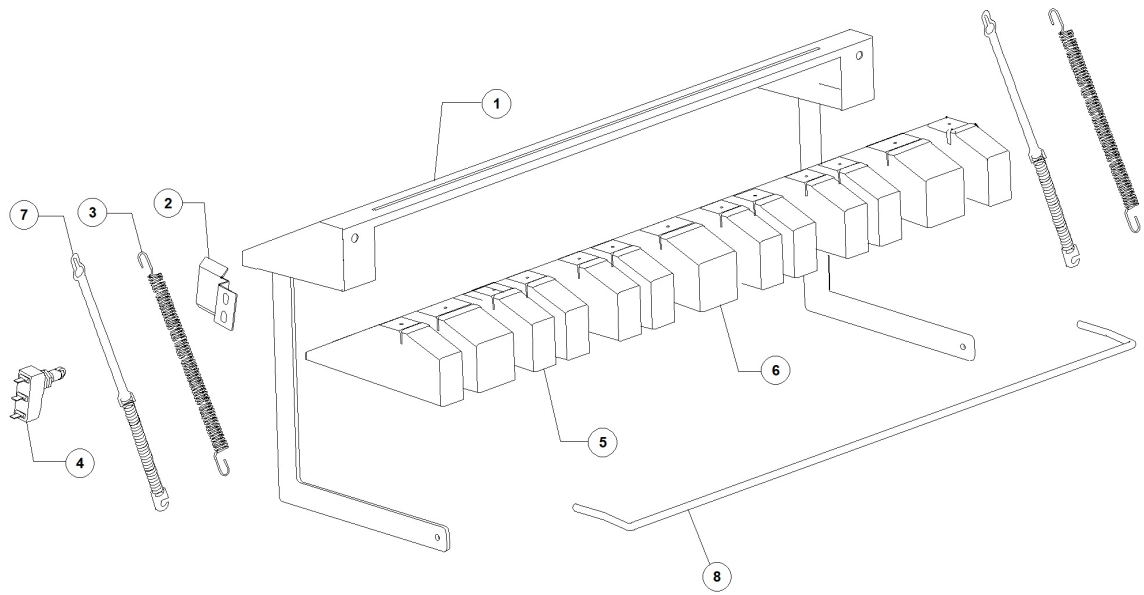
SQ416AS6 DX 3R DRF69 HRF20 400/3N/50 EAC - DWR1002383 - Exit shelf control panel - DW250E



SQ416AS6 DX 3R DRF69 HRF20 400/3N/50 EAC - DWR1002383 - Exit shelf control panel - DW250E

Pos.	Code	Descrizione	Description
1	DW3062061	PROTEZIONE COMANDI SU MENSOLA	SHELF CONTROL PANEL PROTECTION
2	DW3060127	CRUSC.COMANDI LATERALE FX	SHELF CONTROL PANEL
3	DW3002068	LAMPADA PER SPIA 24V 2W TRAINO	PILOT LIGHT 24V 2W
4	DW2000234	PORTA SPIA DIAMETRO 22 - TADB -	PILOT LIGHT HOLDER D.22
5	DW2000284	PULSANTE LUMINOSO BIANCO-VERDE (START)	ILLUMINATED PUSH BUTTON WHITE/GREEN
6	DW3002056	CONTATTO 1NC RET. 31A5	CONTACT 1NC
7	DW3002055	PULSANTE RASATO OPACO NERO-ROSSO 31B2	PUSH BUTTON BLACK/RED 31B2
8	DW3002050	PULS.FUNGO D.35 OP.SBLOC.ROT. 30A3	EMERGENCY BUTTON
9	DW3002054	CONTATTO 1NA	CONTACT 1NA

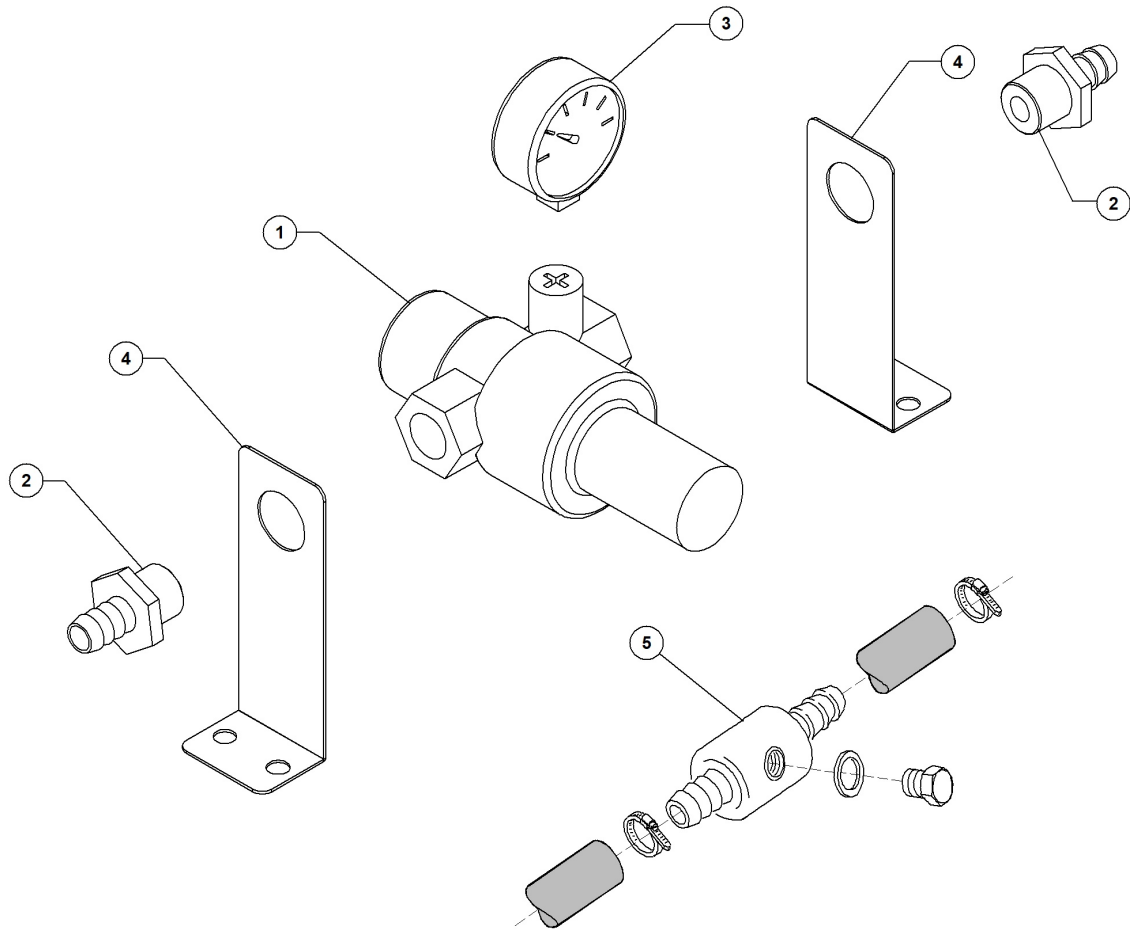
SQ416AS6 DX 3R DRF69 HRF20 400/3N/50 EAC - DWR1002383 - Limit switch - DW250E



SQ416AS6 DX 3R DRF69 HRF20 400/3N/50 EAC - DWR1002383 - Limit switch - DW250E

Pos.	Code	Descrizione	Description
1	DW3080047	ASS PREASSEMBLATO FINECORSIA NASTRO 2017	STOP ASSEMBLY BELT MACHINE
2	DW3080269	PIEG PIASTRINA PER FINECORSIA 2017	
4	DW70305	FINECORSIA A PULSANTE MF17	LIMIT STOP PUSH BUTTON
5	DW3083019	DENTE FINECORSIA 30 NASTRO 2017	STOP PAWL 30 BELT MACHINE 2017
6	DW3083018	DENTE FINECORSIA 50 NASTRO 2017	STOP PAWL 50 BELT MACHINE 2017
7	DW3083113	MOLLA FINECORSIA NASTRO 2017	RIGHT LOWER GUIDE
8	DW3083112	FILO SAG. FINEC CESTI NAST 2017	STOP FOR BASKET BELT MACHINE 2017

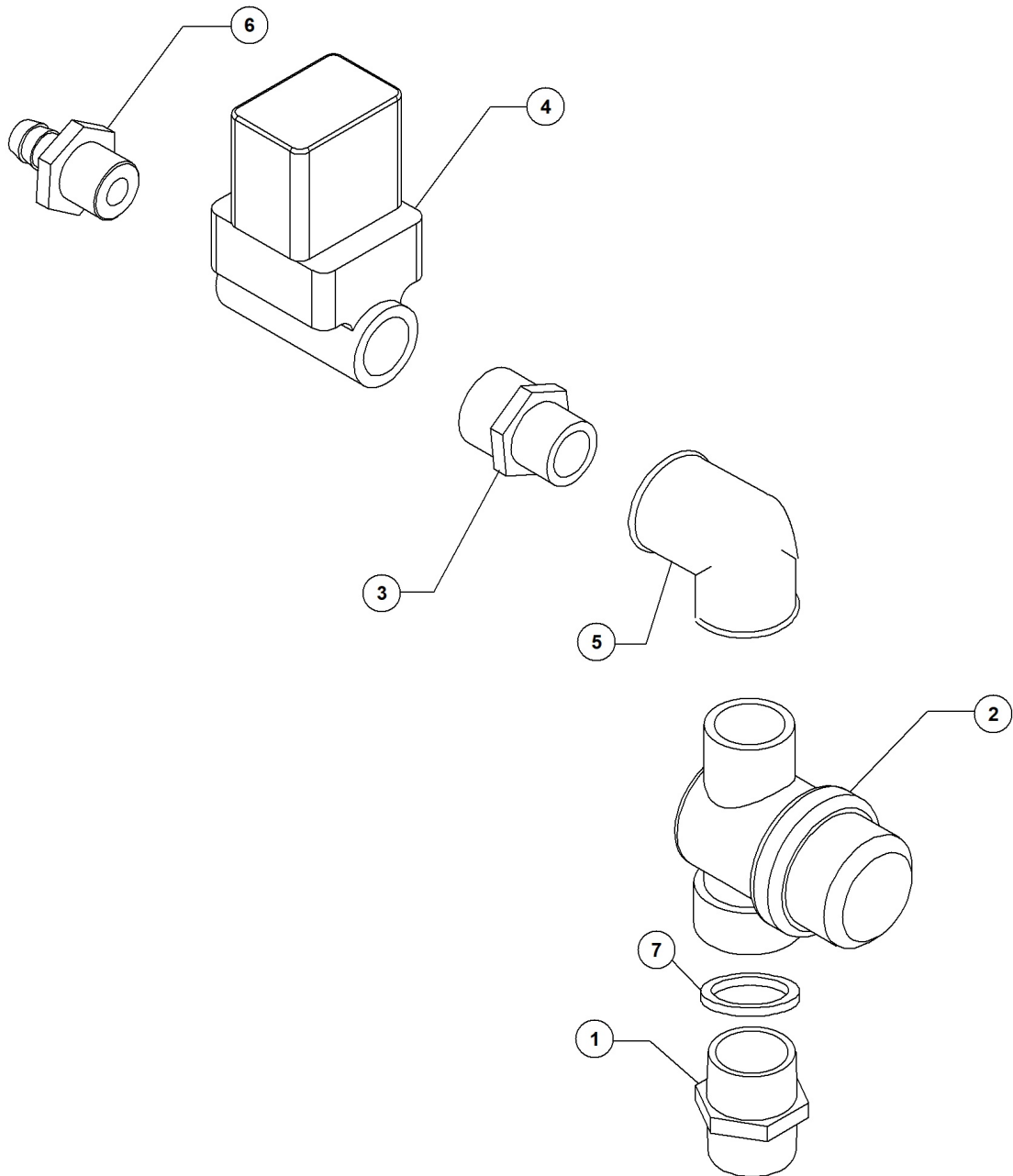
SQ416AS6 DX 3R DRF69 HRF20 400/3N/50 EAC - DWR1002383 - Solenoid valve group - DW250E



SQ416AS6 DX 3R DRF69 HRF20 400/3N/50 EAC - DWR1002383 - Solenoid valve group - DW250E

Pos.	Code	Descrizione	Description
1	DW2000364	"RIDUTTORE DI PRESS.FILTRO INOX 1/2""	"1/2" PRESSURE REDUCER S/S FILTER"
2	DW3071299	PORTAGOMMA M 1/2 DIAM 12 PG260 INOX	S/S HOSE CONNECTOR 10 M1/2 PG260
3	DW2000244	"MANOMETRO RIDUTTORE PRESS. 1/4"CONIC"	"PRESSURE REDUCTION GAUGE 1/4""
4	DW3009439	SUP. ELETTROVALVOLA PER AX NORMALE	SOLENOID VALVE SUPPORT
5	DW3003906/A	DERIV. A T ENTR. BRILL. SENZA TAPPO	"T-PIECE W/PLUG 1/8""

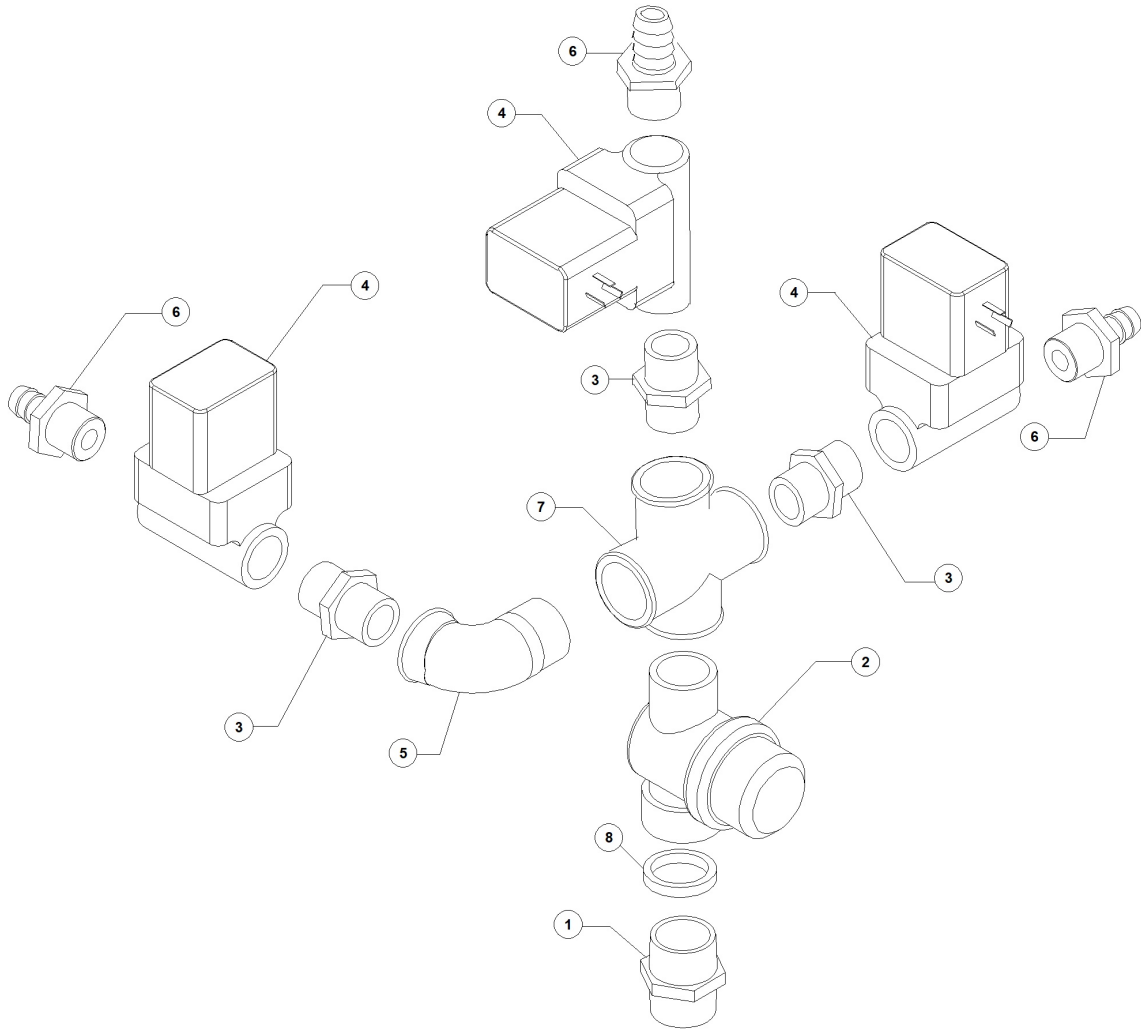
SQ416AS6 DX 3R DRF69 HRF20 400/3N/50 EAC - DWR1002383 - Solenoid valve group - DW250E



SQ416AS6 DX 3R DRF69 HRF20 400/3N/50 EAC - DWR1002383 - Solenoid valve group - DW250E

Pos.	Code	Descrizione	Description
1	DW3071197	"RACCORDO INOX NIPPLO 3/4" M-M"	"S/S NIPPLE PIPE FITTING 3/4" M-M"
2	DW2000121	"FILTRO LINEA CARICO ACQ. 3/4" FF/MF"	"WATER LOADING FILTER 3/4" F-F/M-F"
3	DW3071205	RACCORDO INOX NIPPLO DI RIDUZ 3/4 M-1/2M	"S/S NIPPLE PIPE FITTING M3/4"-M1/2""
4	DW3002030	"ELETTROVALV. OT58 1/2" 24V 50/60HZ"	"SOLENOID VALVE OT58 1/2" 24V 60HZ"
5	DW3071189	RACCORDO INOX GOMITO3/4 FF	"S/S UNION ELBOW 3/4" F-F"
6	DW3071299	PORTAGOMMA M 1/2 DIAM 12 PG260 INOX	S/S HOSE CONNECTOR 10 M1/2 PG260
7	DW13326	GUARNIZIONE D.38X27X2	GASKET D.38X27X2

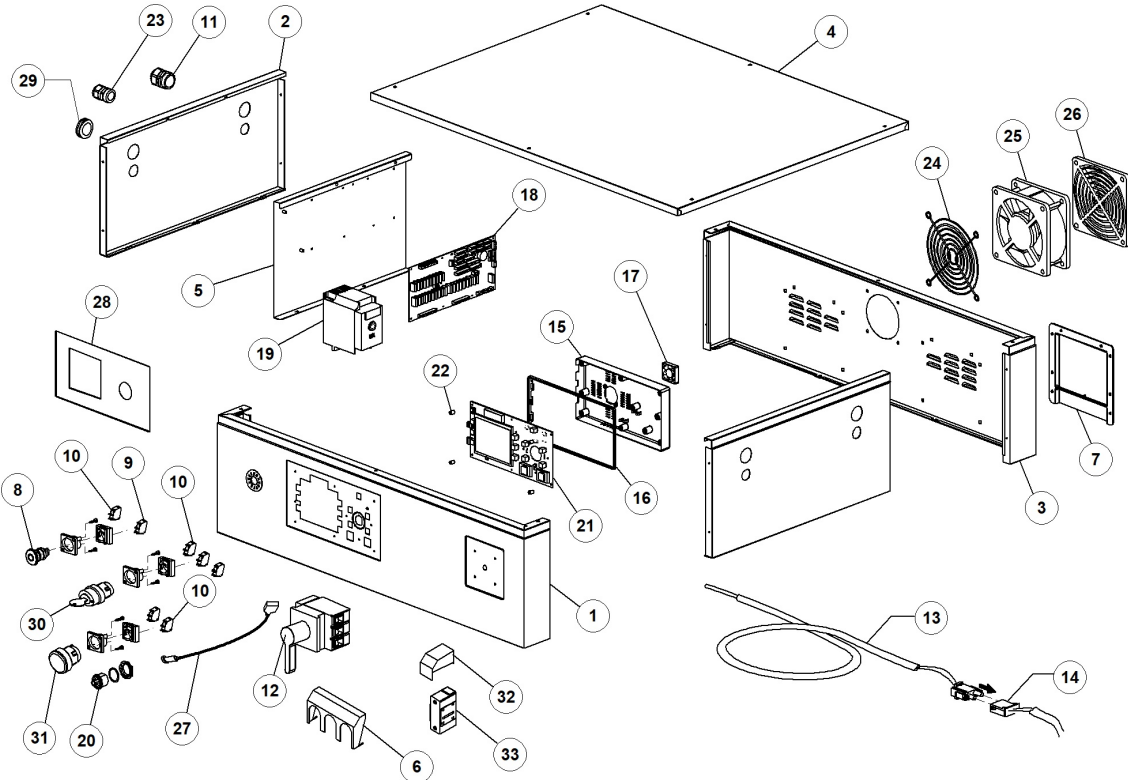
SQ416AS6 DX 3R DRF69 HRF20 400/3N/50 EAC - DWR1002383 - Solenoid valve group - DW250E



SQ416AS6 DX 3R DRF69 HRF20 400/3N/50 EAC - DWR1002383 - Solenoid valve group - DW250E

Pos.	Code	Descrizione	Description
1	DW3071197	"RACCORDO INOX NIPPLO 3/4" M-M"	"S/S NIPPLE PIPE FITTING 3/4" M-M"
2	DW2000121	"FILTRO LINEA CARICO ACQ. 3/4" FF/MF"	"WATER LOADING FILTER 3/4" F-F/M-F"
3	DW3071205	RACCORDO INOX NIPPLO DI RIDUZ 3/4 M-1/2M	"S/S NIPPLE PIPE FITTING M3/4"-M1/2""
4	DW3002030	"ELETTROVALV. OT58 1/2" 24V 50/60HZ"	"SOLENOID VALVE OT58 1/2" 24V 60HZ"
5	DW3071193	RACCORDO INOX GOMITO M/F 3/4	"S/S UNION ELBOW 3/4" M-F"
6	DW3071299	PORTAGOMMA M 1/2 DIAM 12 PG260 INOX	S/S HOSE CONNECTOR 10 M1/2 PG260
7	DW3071186	"RACCORDO INOX CROCE 3/4" F"	"S/S CROSS PIPE FITTING 3/4" F"
8	DW13326	GUARNIZIONE D.38X27X2	GASKET D.38X27X2

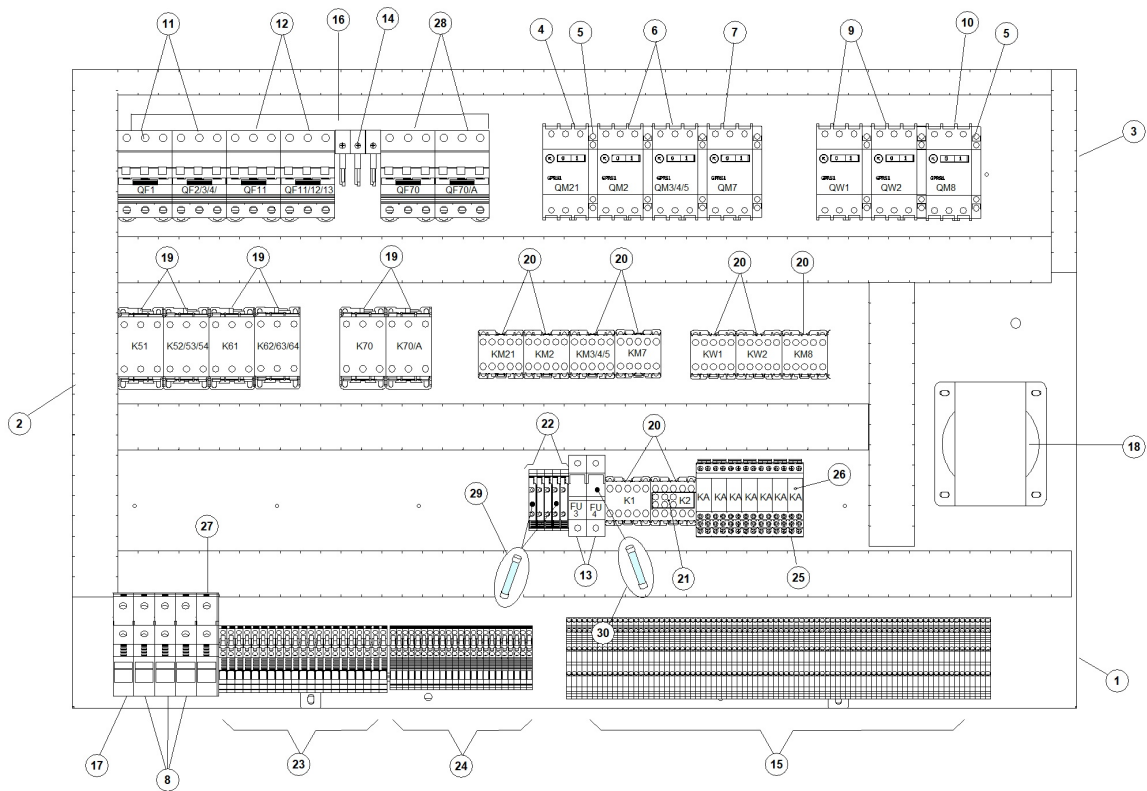
SQ416AS6 DX 3R DRF69 HRF20 400/3N/50 EAC - DWR1002383 - Control panel and switches - DW250E



SQ416AS6 DX 3R DRF69 HRF20 400/3N/50 EAC - DWR1002383 - Control panel and switches - DW250E

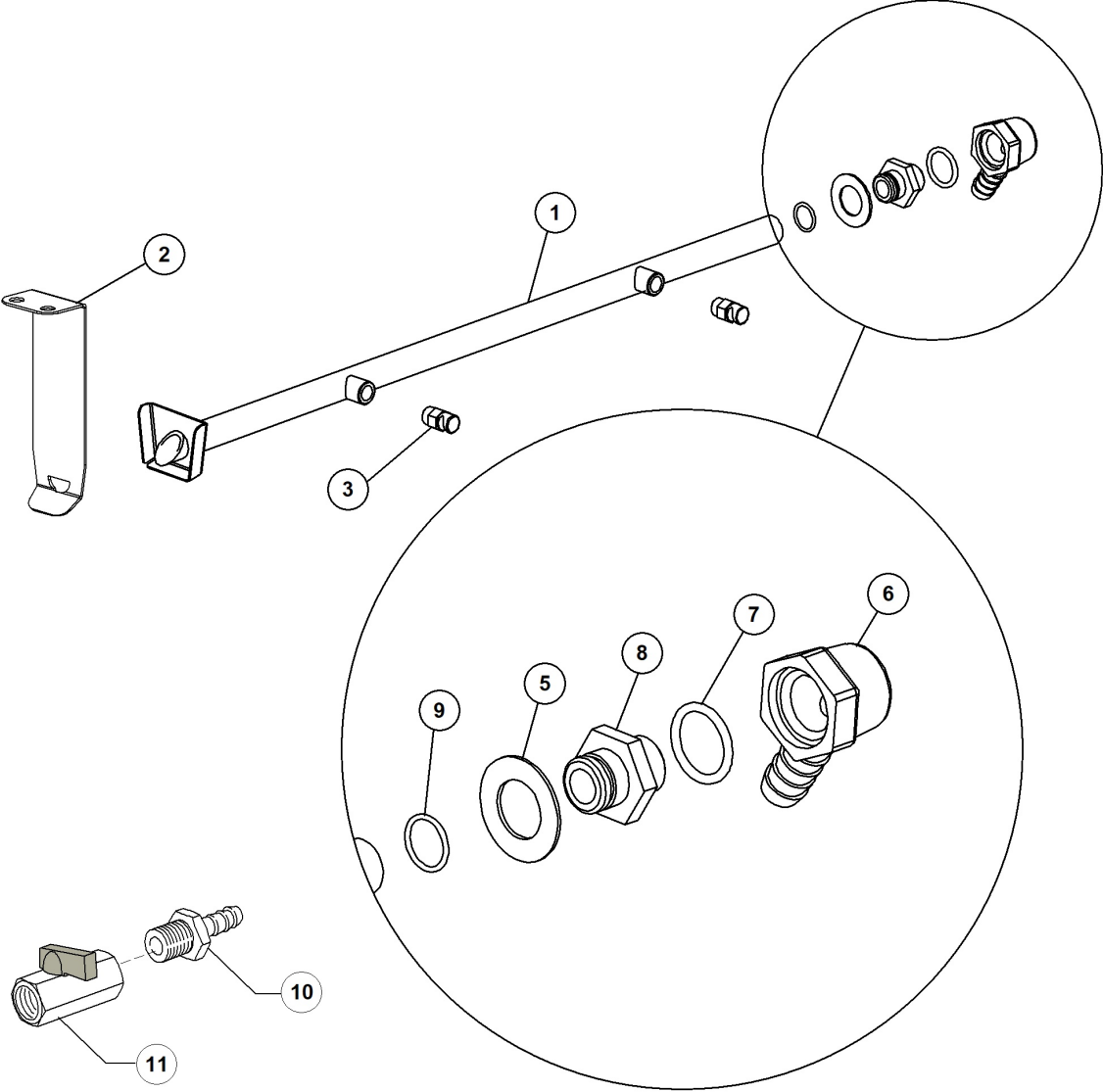
Pos.	Code	Descrizione	Description
1	DW3080207	#PIEG CARTER ANT QUADRO 1050 NASTRO 2017	BOARD FRONT PANEL 1050 BELT MACHINE
2	DW3080315	PIEG PORTA QUADRO FOR PG PRO NASTRO 2017	CONTROL BOARD DOOR
3	DW3080319	PIEG CARTER POST QUADRO 1050 NASTRO 2017	ELECTRICAL CABINET BACK PANEL 1050
4	DW3080216	PIEG COPERCHIO QUADR 1050 NASTRO 2017	CONTROL CABINET COVER 1050
5	DW3080313	PIEG PIASTRA SUP SCHEDA NASTRO 2017	
6	DW3083204	PROTEZ TERMINALE 3P CS160	INVERTER 1,5 KW 480V
7	DW3071286	CARTER PER IPX4 /IPX5 ESTERNO	EXTERNAL PROTECTION IPX4/IPX5
8	DW3002050	PULS.FUNGO D.35 OP.SBLOC.ROT. 30A3	EMERGENCY BUTTON
9	DW3002056	CONTATTO 1NC RET. 31A5	CONTACT 1NC
10	DW3002054	CONTATTO 1NA	CONTACT 1NA
11	DW80419	PRESSACAVO PG29 OBO	CABLE FITTING PG29 OBO
12	DW3083202	SEZIONATORE CS 160 MAN GIAL/ROSSA	INVERTER 1,5 KW 480V
13	DW3006165	SONDA TERMOSTATO SCHEDA TUNNEL	THERMOSTAT PROBE
14	DW3006170	PROLUNGA Sonda TERM. SCHEDA TUNNEL	THERMOSTAT PROBE EXTENSION
15	DW3083072	SCATOLA PROT. SCHEDA NASTRO 2017	ELECTRONIC BOARD PROTECTION BOX BELT M.
16	DW3083076	GUARN SCATOLA 3083072 NASTRO 2017	PROTECTION BOX GASKET BELT MACHINE 2017
17	DW3083038	VENTOLA RAFF DISPLAY TFT NASTRO 2017	TFT DISPLAY COOLING FAN BELT MACHINE
18	DW3083041	SCHEDA POTENZA 2017 NO SOFTWARE	
19	DW3000117	INVERTER MONOFASE 240V 0,55 KW	INVERTER 240V 0,55KW
20	DW3083043	TASTO ENCODER LUMINOSO	
21	DW3083044	SCHERMO TFT NO SOFTWARE 2017	
22	DW50561	DIST. SCHEDE ELETTR. 2009 D.8X10	MAINBOARD SPACER D.8X10
23	DW80414	PRESSACAVO PG21 OBO CON GHIERA	CABLE FITTING PG21 OBO WITH RING NUT
24	DW3000118/B	GRIGLIA PROTEZ.INVERTER 120MM	INVERTER PROTECTION GRID 120MM
25	DW3000118	VENTOLA 120X38 220VAC PER INVERTER	IMPELLER FAN 120X38 220VAC FOR INVERTER
26	DW3000118/A	FILTRO PLAST INVERTER 120X120	INVERTER PLASTIC FILTER 120X120
27	DW3083037	CAVO PROLUNGA ENCODER NASTRO 2017	ENCODER PATCH CORD BELT MACHINE 2017
28	DW3083046	MOSTRINA NEUTRA BLU NASTRO 2017	NEUTRAL BLUE ADH.SILKSCREEN NASTRO 2017
29	DW13306/A	GUARNIZ. RAMPA LAV.SUP. GRIGIA	UPPER WASH RISER GASKET
30	DW2000312/S	TESTA SELET. A CHIAVE 3 POS ESTRAZ. SX	0-1 SELECTOR
31	DW3002055	PULSANTE RASATO OPACO NERO-ROSSO 31B2	PUSH BUTTON BLACK/RED 31B2
32	DW3083208	PROTEZ TERMINALE 4ø POLO CS160	INVERTER 1,5 KW 480V
33	DW3083206	4ø POLO PER SEZIONATORE CS160	INVERTER 1,5 KW 480V

SQ416AS6 DX 3R DRF69 HRF20 400/3N/50 EAC - DWR1002383 - Electric control components - DW250E



SQ416AS6 DX 3R DRF69 HRF20 400/3N/50 EAC - DWR1002383 - Electric control components - DW250E

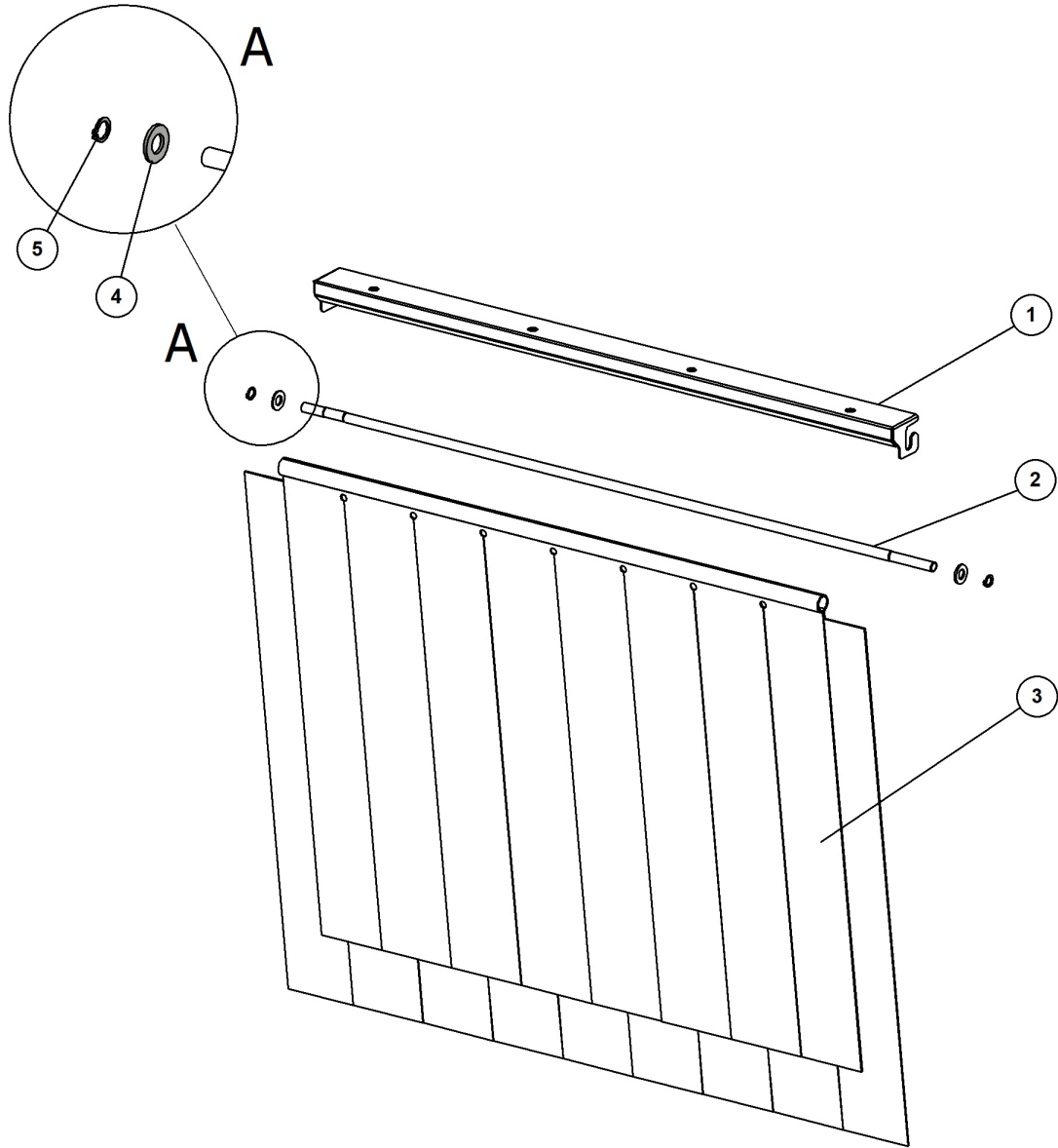
Pos.	Code	Descrizione	Description
1	DW3080311	PIEG PIASTRA CABLAG 1050 NASTRO 2017	WIRING PLATE 1050
2	DW3071134	CANALETTA 40X80 LUNGHEZZA 2M	CABLE RACEWAY 40X80 L2M
3	DW3071133	CANALETTA 25X80 LUNGHEZZA 2M	CABLE RACEWAY 25X80 L2M
4	DW2000389	INT.SALVAMOTORE MAGNETOTERM.0,63- 1A	CIRCUIT BREAKER 0,63- 1A
5	DW3006080	CONTATTO AUX. LMS25 11LMH11 1NA+1NC	AUXILIARY CONTACT LMS25 11LMH11 1NA-1NC
6	DW2000394	INT.SALVAMOTORE MAGNETOTERM.2,5-4A	CIRCUIT BREAKER 2,5-4A
7	DW2000394	INT.SALVAMOTORE MAGNETOTERM.2,5-4A	CIRCUIT BREAKER 2,5-4A
8	DW3006108	MORSETTO 70mmq LEGRAND 039070	TERMINAL 70mmq
9	DW2000393	INT.SALVAMOTORE MAGNETOT.1,6-2,5A	CIRCUIT BREAKER 1,6-2,5A
10	DW2000380	TELER.12A/25A 24V 50/60HZ	CONTACTOR 12A/25A 24V 50/60HZ
11	DW2000407	INT. MAGNETOTERMICO TRIPOLARE 16A	THREE-POLE CIRCUIT BREAKER 16A
12	DW2000404	INT. MAGNETOTERMICO TRIPOLARE 25A	THREE-POLE CIRCUIT BREAKER 25A
13	DW3006109	PORTAFUS. 10X38 BIPOL.	
14	DW3071132	MORSETTO DI COLLEG BARRA MAGNETOTERMICI	CONNECTING TERMINAL FOR MAGNETOTHERMICS
15	DW3071122	MORSETTO 2.5mm DOPPIO A MOLLA (ZDK 2.5)	TERMINAL 2,5mmq DOUBLE
16	DW3071131	BARRA TRIFASE DI COLLEG.MAGNETOTERMICI	THREE PHASE CONNECTING BAR
17	DW3006091	MORSETTO 35mmQ GIALLO/VERDE	TERMINAL 35mmq YELLOW/GREEN
18	DW3006063	TRASF.400VA 0-230-400-415-440/0-24V	TRANSFORMER400VA 0-230-400-415-440/0-24V
19	DW2000385	TELERUTTORE 36A/20A 24V 50/60Hz	CONTACTOR 36A/20A 24V 50/60Hz
20	DW2000370	TELERUTTORE 9A/16A 24V 50/60Hz	CONTACTOR 9A/16A 24V 50/60Hz
21	DW3006068	CONTATTI AUSI.X MC9.10 24V 1NA1NO	MC9 AUXILIARY CONTACT 1NO-1NC
22	DW3006147	MORSETTO PORTAFUSIBILI 5x20 (5x25)	FUSE CARRIER
23	DW10300403	MORSETTO 6mmq	TERMINAL 6mmq
24	DW3006092	MORSETTO 4mmQ RK2.5-4	TERMINAL 4mmq
25	DW3006079	ZOCCOLO X RELE'MODUL.2C/24V	BASE FOR RELAY 2C/24V
26	DW3006078	RELE' MODUL. 2C/DEV. 24V	MODULAR RELAY 2C/DEV. 24V
27	DW3006156	MORSETTO NEUTRO 35mmq BLU	
28	DW2000412	INT. MAGNETOTERM. TRIPOLARE 10A (672297)	
29	DW15163	FUSIBILE 5X20 1A	5X20 1A FUSE
29	DW15174	FUSIBILE 5X20 6.3A RITARDATO	
29	DW15190	FUSIBILE 5X20 2,5 A	
30	DW3006095	FUSIBILE 10X38 16A	10X38 16A FUSE



SQ416AS6 DX 3R DRF69 HRF20 400/3N/50 EAC - DWR1002383 - Soaking - DW250E

Pos.	Code	Descrizione	Description
1	DW3083024	BRACCIO AMMOLLO DX NASTRO 2017	SOAK RIGHT ARM FOR BELT MACHINE
2	DW3083050	STAF. AGG BRACCIO PREPRE-AMM NASTRO 2017	ARM ATTACHMENT BRACKET-BELT MACHINE
3	DW3071093	UGELLO 1/8M GAS 1,26L/MIN 0,65BAR INOX	S/S NOZZLE 1/8M GAS 1,26L/MIN 0,65BAR
5	DW3009387	RONDELLA GOMITO CARICO	LOADING ELBOW WASHER
6	DW3003129	GOMITO PORTAGOMMA 12 - G3/8	ELBOW HOSE-CONNECTION 12 G3/8
7	DW3003130	GUARNIZIONE OR 123 NBR	O-RING 123 NBR
8	DW3003134	INNESTO G3/8-DIAM.14 SANITIZ. NASTRO	
9	DW3003135	GUAR. OR 2043 D10,8 T1,78 (3003134)	
10	DW3071299	PORTAGOMMA M 1/2 DIAM 12 PG260 INOX	S/S HOSE CONNECTOR 10 M1/2 PG260
11	DW3002140	RUBINETTO FF 1/2	FF 1/2 WATER VALVE

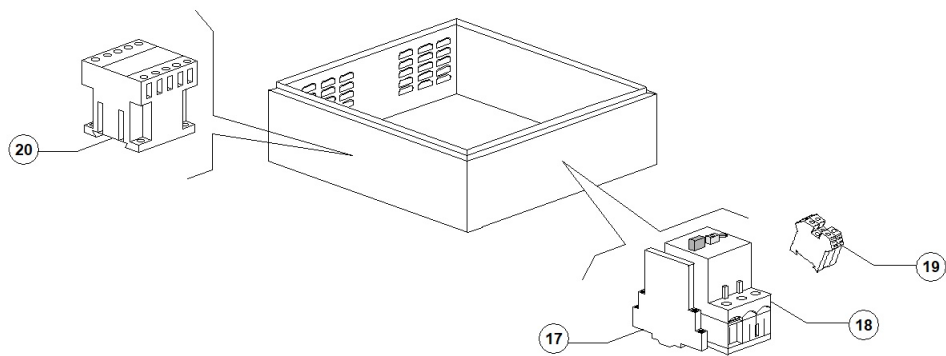
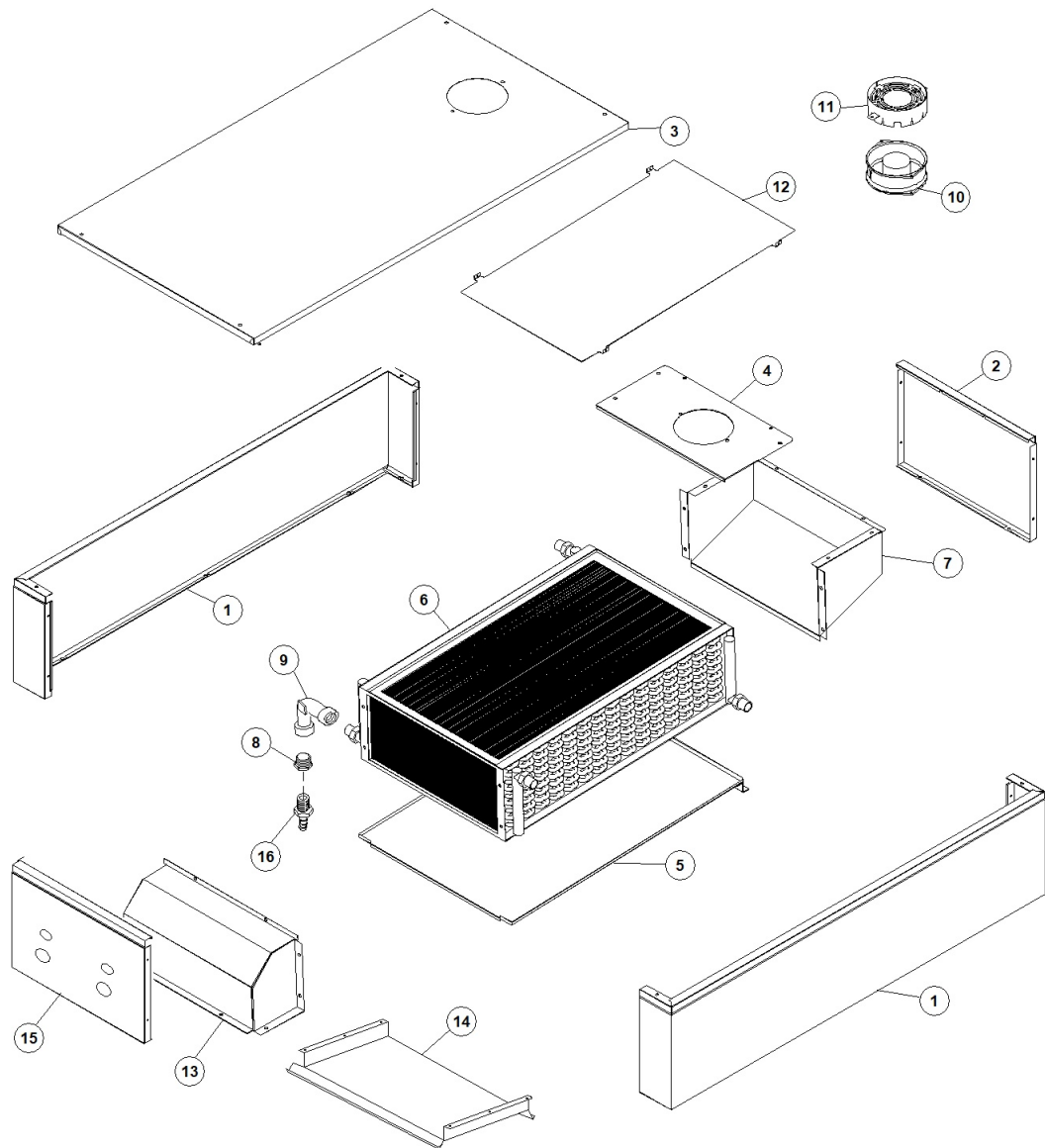
SQ416AS6 DX 3R DRF69 HRF20 400/3N/50 EAC - DWR1002383 - Curtain - DW250E



SQ416AS6 DX 3R DRF69 HRF20 400/3N/50 EAC - DWR1002383 - Curtain - DW250E

Pos.	Code	Descrizione	Description
1	DW3080292	PIEG SUPPORTO TENDINA NASTRO 2017	
2	DW3060026	ASTA SOSTEGNO TENDA ESTERNA FX	EXTERNAL CURTAIN ROD
3	DW3060024	TENDINA PARASP.INTERNA CORTA FX	SHORT INNER SPLASH GUARD CURTAIN
4	DW11185	RONDELLA 8X16 PIANA INOX DIN125	8X16 S/S PLANE WASHER DIN125
5	DW11815	SEEGER DIAM.8 INOX UNI7435	SNAP RING D.8 S/S

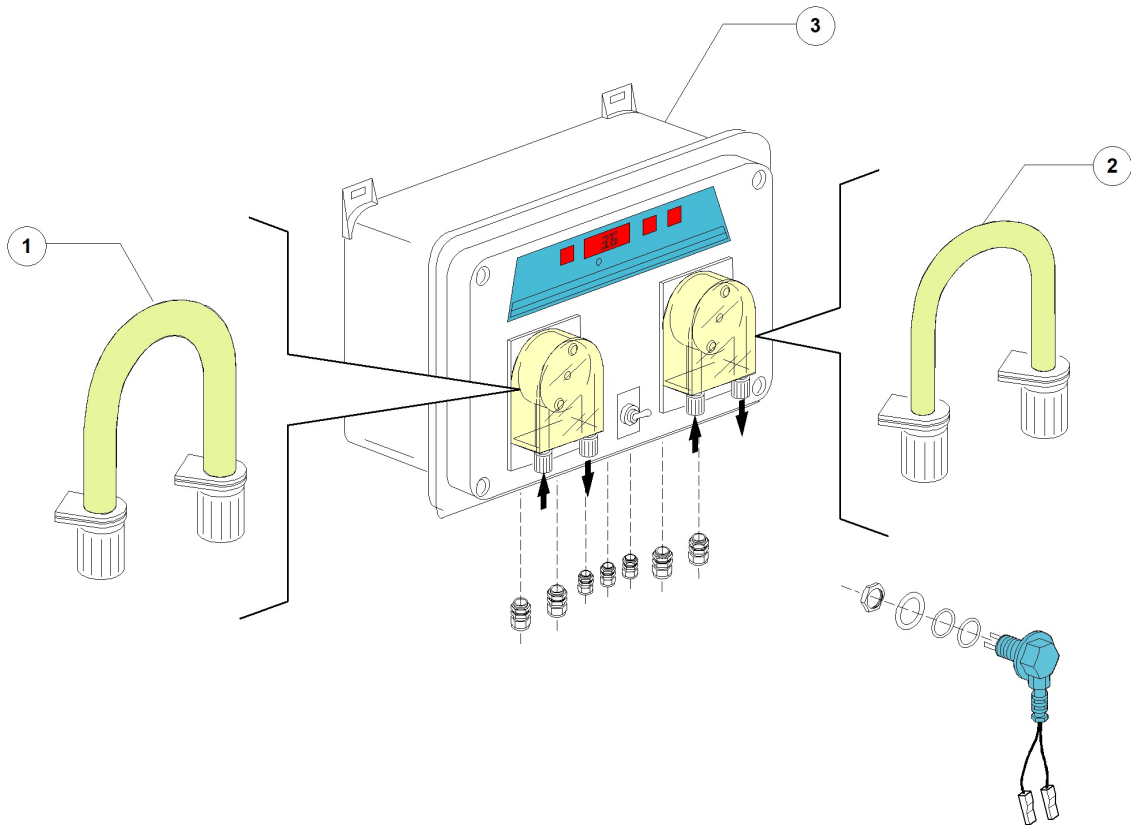
SQ416AS6 DX 3R DRF69 HRF20 400/3N/50 EAC - DWR1002383 - Heat recovery - DW250E



SQ416AS6 DX 3R DRF69 HRF20 400/3N/50 EAC - DWR1002383 - Heat recovery - DW250E

Pos.	Code	Descrizione	Description
1	DW3070223	PIEG. CARTER HR20 RX	HEAT RECOVERY FRONT/BACK PANEL
2	DW3080276	PIEG PORTA RECUPER PRO NASTRO 2017	HEAT RECOVERY DOOR
3	DW3080303	PIEG COPERCHIO HR20 NASTRO 2017	HEAT RECOVERY COVER BELT MACHINE
4	DW3070227	PIEG. CARTER SUP. CON CAMINO HR20 DX RX	
5	DW3009501	SCIVOLO RECUPERATORE COND. VAPORI	STEAM REC./HEAT REC. TRAY
6	DW3000151	BATTERIA TRAINO RECUP.CALORE TR98	HEATING RECOVERY COIL TR98
7	DW3070059	ASSIEME CARTER CAMINO HR20 (N)	
8	DW3071200	RACCORDO INOX NIPPLO RIDOTTO 1M - 1/2 F	"S/S NIPPLE PIPE FITTING M1"-F1/2"
9	DW3071271	"RACCORDO INOX GOMITO F/F 1"	"S/S UNION ELBOW 1" F-F"
10	DW11600715	MOTOVENTIL. 230 V/50-60 HZ TRAINO	CENTRIFUGAL FAN 230V 50/60HZ
11	DW11600717	ASS. CAMINO SUPERIORE TRAINO	CHIMNEY ASSEMBLY FOR HR/09
12	DW3009656	TAMPONAMENTO BATTERIA TR98	COIL COVER PANEL
13	DW3009500	ASSIEME COPPOTTINA PER TR97/98	COVER ASSEMBLY
14	DW3080301	PIEG. PARAS PER REC E AUTOP NASTRO 2017	
15	DW3080314	PIEG PORTA RECUPER PG NASTRO 2017	HEAT RECOVERY DOOR
16	DW3071299	PORTAGOMMA M 1/2 DIAM 12 PG260 INOX	S/S HOSE CONNECTOR 10 M1/2 PG260
17	DW3006080	CONTATTO AUX. LMS25 11LMH11 1NA+1NC	AUXILIARY CONTACT LMS25 11LMH11 1NA-1NC
18	DW2000389	INT.SALVAMOTORE MAGNETOTERM.0,63-1A	CIRCUIT BREAKER 0,63-1A
19	DW3006092	MORSETTO 4mmQ RK2.5-4	TERMINAL 4mmq
20	DW2000370	TELERUTTORE 9A/16A 24V 50/60Hz	CONTACTOR 9A/16A 24V 50/60Hz

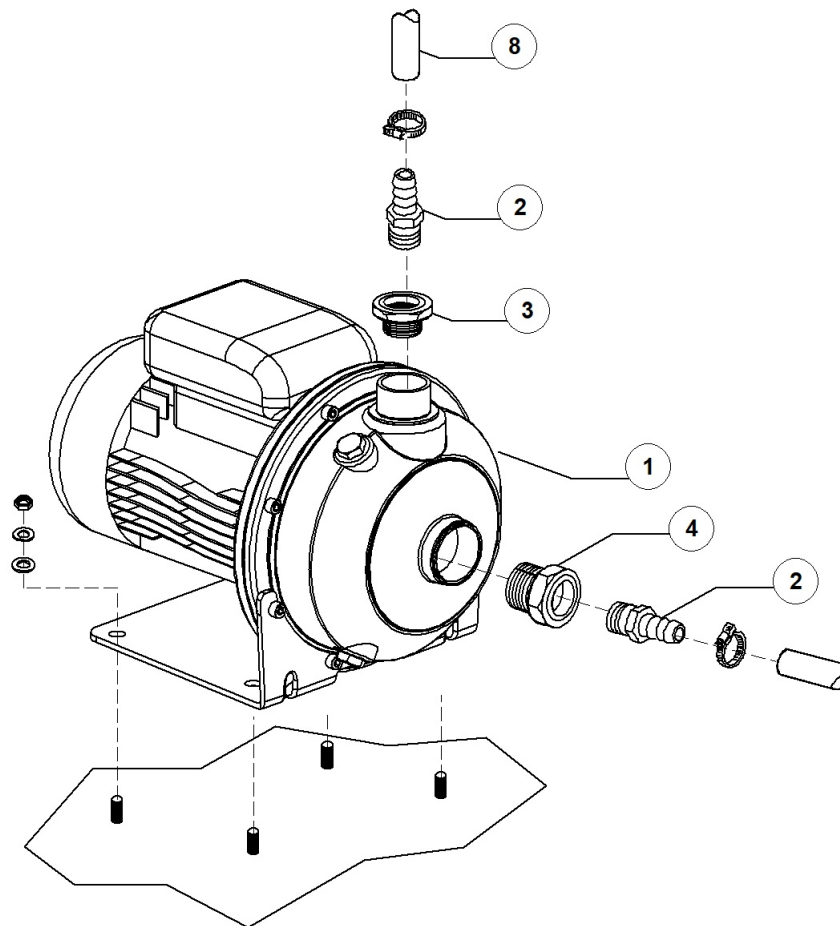
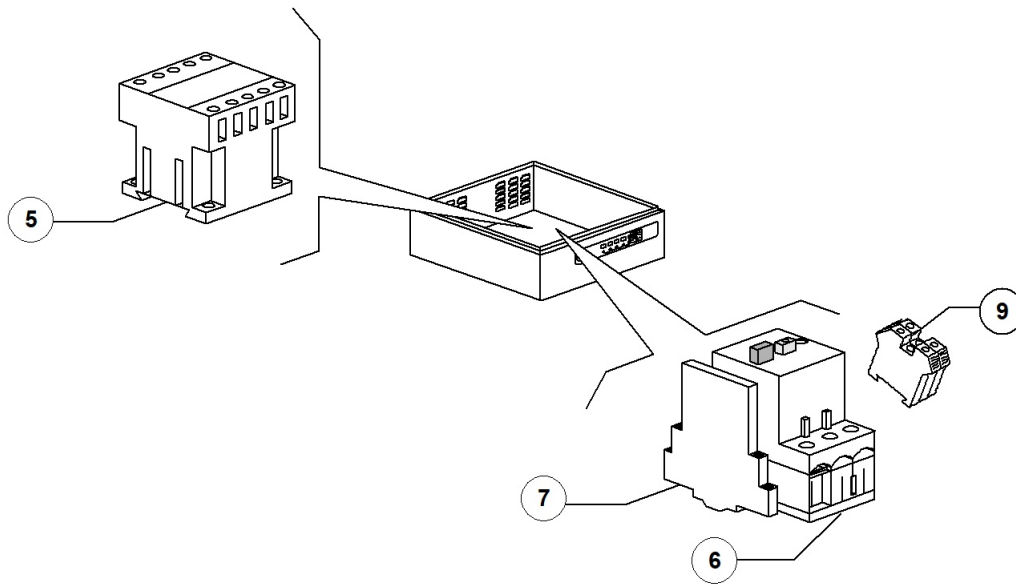
SQ416AS6 DX 3R DRF69 HRF20 400/3N/50 EAC - DWR1002383 - Dispensers - DW250E



SQ416AS6 DX 3R DRF69 HRF20 400/3N/50 EAC - DWR1002383 - Dispensers - DW250E

Pos.	Code	Descrizione	Description
1	DW14503	TUBO PVC DIAM.6x4 TRASPARENTE	D.6X4 PVC TRANSPARENT HOSE
1	DW15185	TUBO MEMBRANA DDE SEKO DET.	SEKO DISPENSER THERMOPLASTIC HOSE
2	DW14502/A	TUBETTO PVC 6X4 VERDE	6X4 PVC GREEN SMALL PIPE
2	DW15186	TUBO MEMBRANA SILICONE BRILL.	SEKO DISPENSER THERMOPLASTIC HOSE
3	DW15181/A	CENTRALINA 06 DOSAT .BRILL./DETERG. 24V	RINSE AID AND DETERGENT DOSING PUMPS BOX

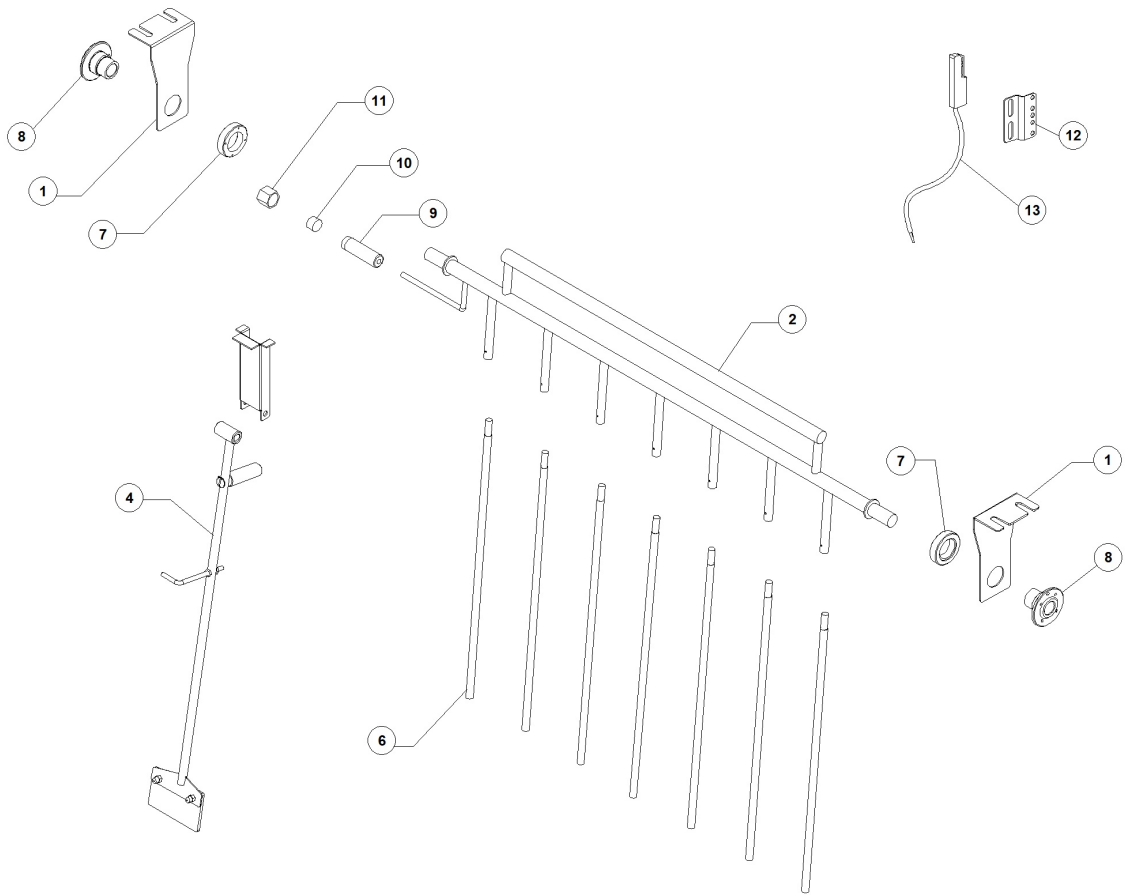
SQ416AS6 DX 3R DRF69 HRF20 400/3N/50 EAC - DWR1002383 - Booster pump - DW250E



SQ416AS6 DX 3R DRF69 HRF20 400/3N/50 EAC - DWR1002383 - Booster pump - DW250E

Pos.	Code	Descrizione	Description
1	DW15100/Q	POMPA AUM.PRES. 400VAC3 50Hz	BOOSTER PUMP 400V3/50HZ
2	DW3071299	PORTAGOMMA M 1/2 DIAM 12 PG260 INOX	S/S HOSE CONNECTOR 10 M1/2 PG260
3	DW3071200	RACCORDO INOX NIPPLO RIDOTTO 1M - 1/2 F	"S/S NIPPLE PIPE FITTING M1"-F1/2""
4	DW3071198	RACCORDO INOX NIPPLO RID 1 1/4 M - 1/2 F	"S/S NIPPLE PIPE FITTING M1" 1/4-F1/2""
5	DW2000370	TELERUTTORE 9A/16A 24V 50/60Hz	CONTACTOR 9A/16A 24V 50/60Hz
6	DW2000390	INT.SALVAMOTORE MAGNETOTERM. 1-1,6A	CIRCUIT BREAKER 1-1,6A
6	DW2000393	INT.SALVAMOTORE MAGNETOT.1,6-2,5A	CIRCUIT BREAKER 1,6-2,5A
7	DW3006080	CONTATTO AUX. LMS25 11LMH11 1NA+1NC	AUXILIARY CONTACT LMS25 11LMH11 1NA-1NC
8	DW2907350	TUBO GOMMA EPDM 12X20	12X20 EPDM RUBBER PIPE
9	DW3006092	MORSETTO 4mmQ RK2.5-4	TERMINAL 4mmq

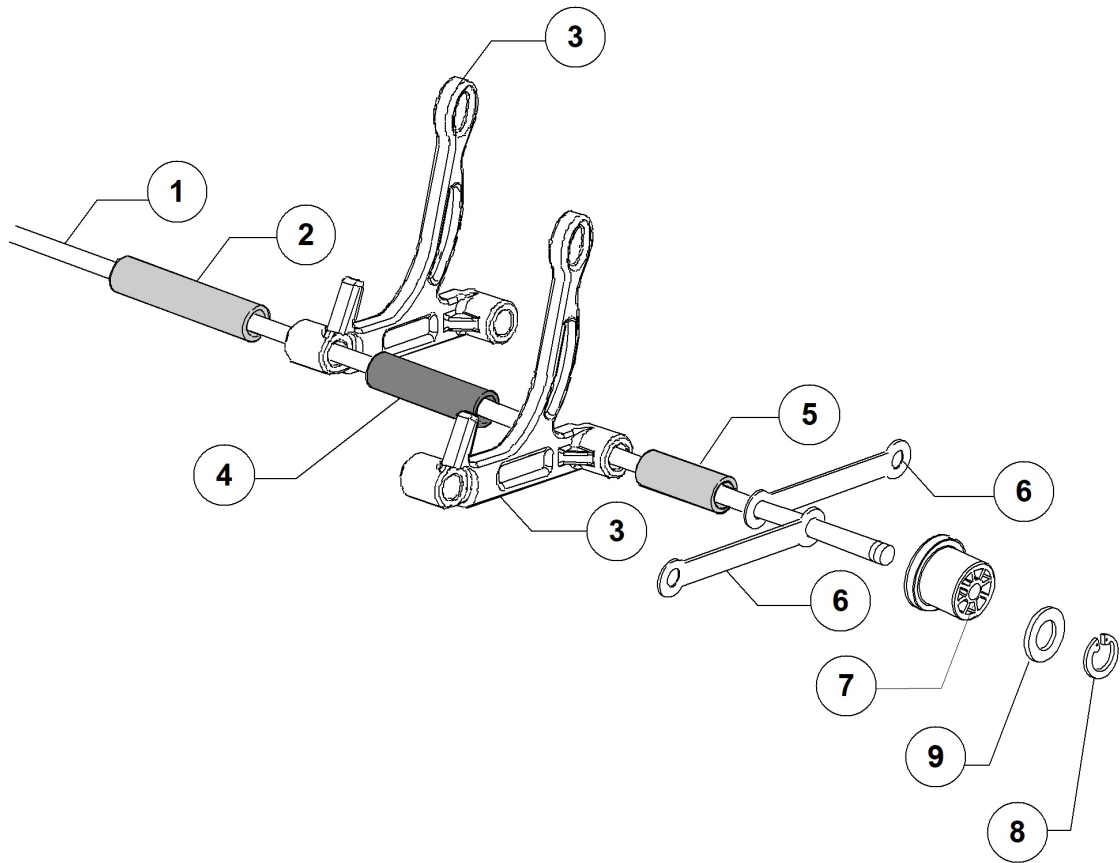
SQ416AS6 DX 3R DRF69 HRF20 400/3N/50 EAC - DWR1002383 - Economizer - DW250E



SQ416AS6 DX 3R DRF69 HRF20 400/3N/50 EAC - DWR1002383 - Economizer - DW250E

Pos.	Code	Descrizione	Description
1	DW3080290	PIEG SUPPORTO ECONOM NASTRO 2017	
2	DW3083073	ECONOMIZZ. PIATTI STD NASTRO 2017	ECONOMIZER DISHES 2017
6	DW3060159	ASTA ECONOMIZZATORE POM	ECONOMIZER BAR
7	DW75317	DADO PER MOZZO GIR. 11S/96	NUT FOR ROTOR HUB 11S/96
8	DW75320	MOZZO PER GIRANTE 11 S 09/98	HUB FOR ROTOR 11S 09/98
9	DW3060065	PORTA CALAMITA ECONOMIZZATORE FX	ECONOMIZER MAGNET HOLDER
10	DW3003113	MAGNETE PER ECONOM. DIAM.12X10 6/97	MAGNETIC UNIT
11	DW3004184	"TAPPO FEM. 3/8" PER COD. 3003058-3060065"	3/8 FEMALE PLUG
12	DW3009112	PIEG. SUPPORTO MAGNETE PER PORTA	ECONOMIZER MICROSWITCH SUPPORT
13	DW3003132	REED FINE CORSA RULLIERA (CAVO L2500)	MAGNETIC REED SWITCH

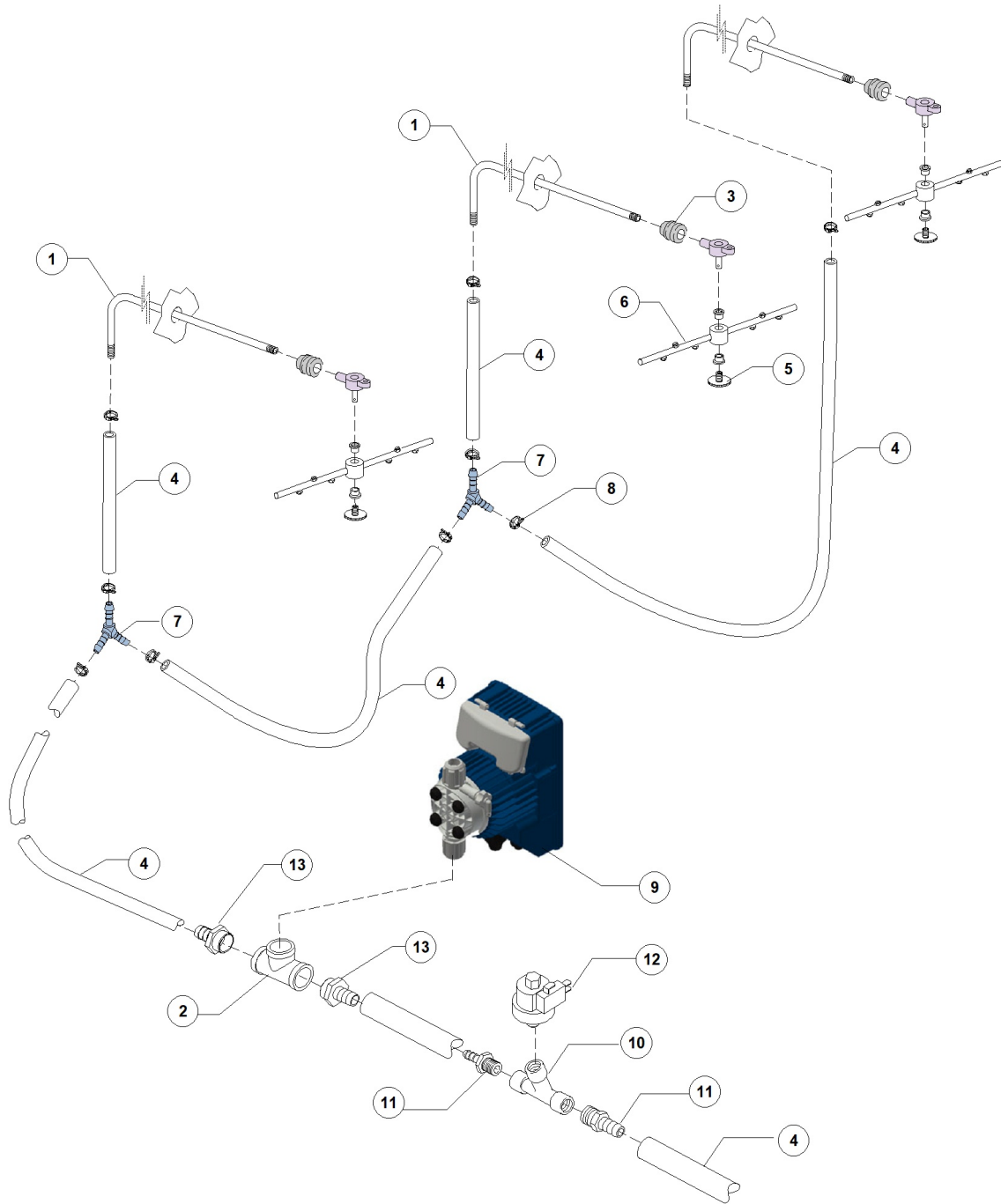
SQ416AS6 DX 3R DRF69 HRF20 400/3N/50 EAC - DWR1002383 - Belt for plates - DW250E



SQ416AS6 DX 3R DRF69 HRF20 400/3N/50 EAC - DWR1002383 - Belt for plates - DW250E

Pos.	Code	Descrizione	Description
1	DW3060337	ASSE D8 PER NASTRO 2016	AXE CONVOYEUR 2016 D.8
2	DW3060014	DISTANZIALE L46	SPACER L46
3	DW3060035	DENTE LAVAPIATTI	FINGER FOR DISHES
4	DW3060013	DISTANZIALE L34	SPACER L34
5	DW3020541	DISTANZIALE L27	SPACER L27
6	DW3060018	MAGLIA NASTRO P60	S/S MESH P60
7	DW3060336	RUOTA NASTRO FX-CX 2016	DOUILLE CONVOYEUR 2016
8	DW11896	ANELLO SICUREZZA INOX TIPO RA Ç77 DIN6799	S/S SNAP RING D.7 DIN6799
9	DW11185	RONDELLA 8X16 PIANA INOX DIN125	8X16 S/S PLANE WASHER DIN125

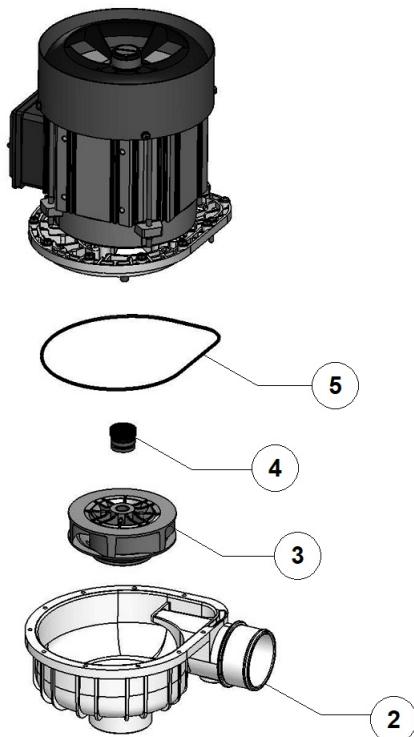
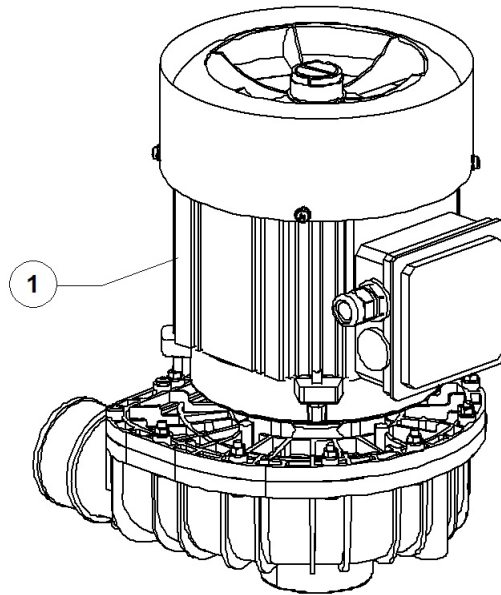
SQ416AS6 DX 3R DRF69 HRF20 400/3N/50 EAC - DWR1002383 - Sanitization - DW250E



SQ416AS6 DX 3R DRF69 HRF20 400/3N/50 EAC - DWR1002383 - Sanitization - DW250E

Pos.	Code	Descrizione	Description
1	DW391065	"RAMPA SANITIZZAZIONE TIPO "A""	
2	DW3071216	RACCORDO INOX T 1/2 F-F-F	"S/S UNION TEE 1/2" F-F-F"
3	DW13304	GUARNIZIONE PASSATUBO 70SH	PIPE-PASS O-RING
4	DW14506	TUBO GOMMA DIAM 9,5X16 EPDM	9,5X16 EPDM RUBBER HOSE
5	DW11101/A	VITE GRUP.RISC. D.30X11 (M8) INOX	GROUP FASTENING S/S SCREW D.30X11 M8
6	DW391066	GIRELLO SANITIZZAZIONE TYPE 91-92	SANITIZATION ROTOR TYPE 91/92
7	DW540090	DERIV. 3VIE Y D10 PLASTICA	PLASTIC Y-PIECE D.10
8	DW11800	FASCETTA AISI 430 8/16 LINER LUNGO	CLAMP 8/16 AISI 430
9	DW391067	DOSATORE SANITIZZAZIONE	SANITIZATION PRODUCT DOSING PUMP
10	DW12008	RACCORDO 1/4 F-F-F	UNION TEE 1/4 F-F-F
11	DW12005	PORTAGOMMA TUBO 12 FIL. G1/4 OT-NI	NICHEL-PLAT.BRASS HOSE CONNECTOR 12 G1/4
12	DW3060195	PRESSOSTATO GP110 TUNNEL	PRESSURE SWITCH GP100
13	DW3071299	PORTAGOMMA M 1/2 DIAM 12 PG260 INOX	S/S HOSE CONNECTOR 10 M1/2 PG260

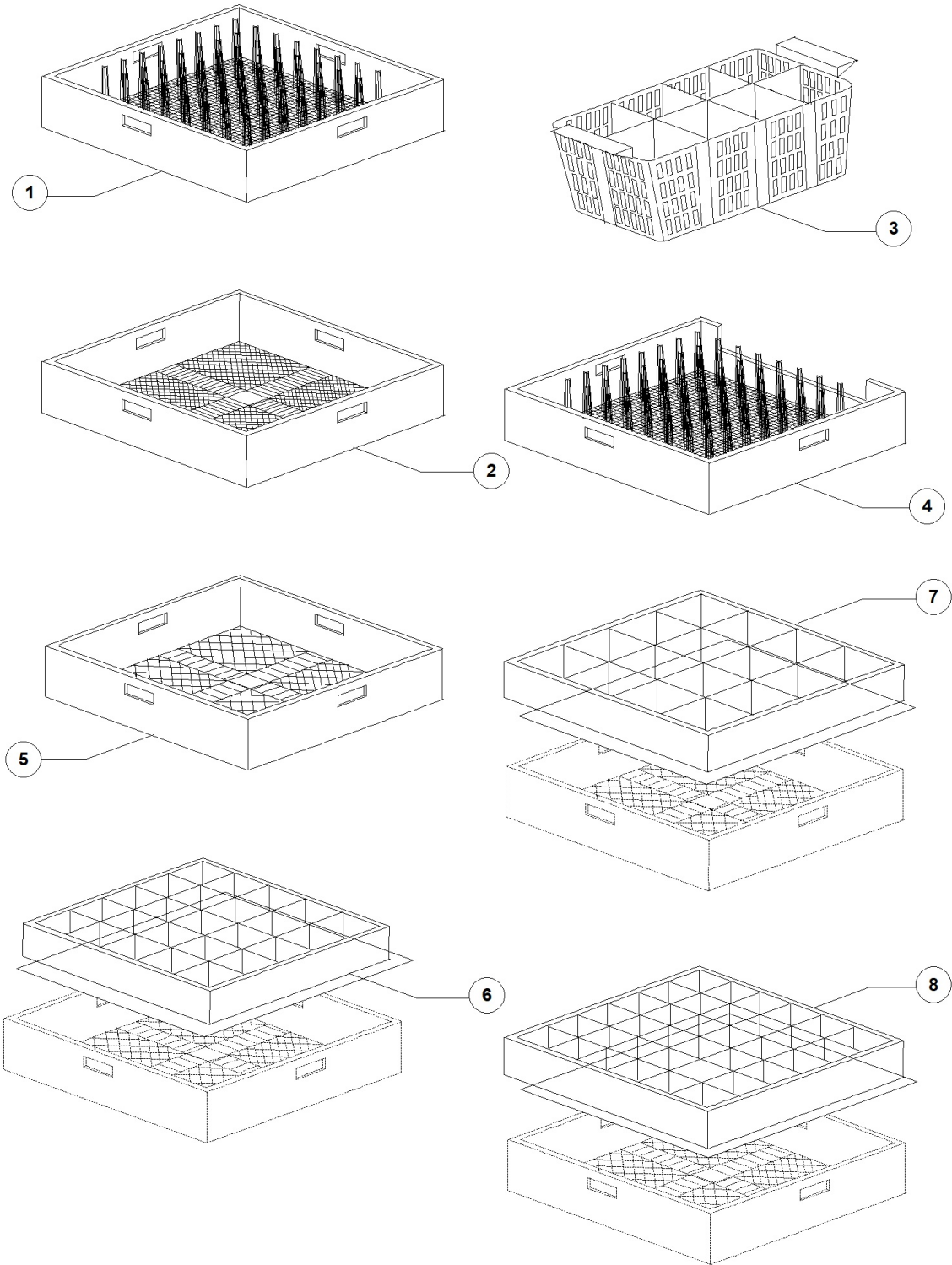
SQ416AS6 DX 3R DRF69 HRF20 400/3N/50 EAC - DWR1002383 - Pump - DW250E



SQ416AS6 DX 3R DRF69 HRF20 400/3N/50 EAC - DWR1002383 - Pump - DW250E

Pos.	Code	Descrizione	Description
1	DW3083079	POMPA HP2.7 230-240/380-415 50 Hz	PUMP HP2.7 230-240/380-415V/50HZ
2	DW3083116/B	#D.203 MANDATA D.63 DX (PLA_158)	
3	DW88128/A	#GIR. POM. D.108 C. (PLA_156) (DW88128)	PUMP ROTOR D.90
4	DW15080/F	#PREMISTOPA+CONTROFACCIA TEN_10+TEN_002	ROTATING SEALS
5	DW88231	#GUARNIZIONE OR150 x 2.50 POMPA 88106/U	OR 1225 GASKET

SQ416AS6 DX 3R DRF69 HRF20 400/3N/50 EAC - DWR1002383 - Baskets (Optional) - DW250E



SQ416AS6 DX 3R DRF69 HRF20 400/3N/50 EAC - DWR1002383 - Baskets (Optional) - DW250E

Pos.	Code	Descrizione	Description
1	DWC40	CESTO PIATTI PLASTICA 50X50	PLASTIC PLATES BASKET 500X500
2	DWC41	CESTO POSATE MAG.STRETTA PLASTICA	CUTLERY BASKET - TIGHT MESH (PLASTIC)
3	DWC47	CESTELLO POSATE 8 POSTI	CUTLERY BASKET 8 PLACES
4	DWC43	CESTO TRAINO VASSOI (LATO APERTO)	TRAYS BASKET (ONE SIDE OPEN)
5	DWC44	CESTO BICCHIERI MAGL.LARGA PLASTICA	500X500 LARGE MESH GLASS BASKET
6	DWC112	SEPAR 25P. PER CESTO TRAINO	GLASSES PARTITION 25 PLACES (D.87 MAX)
7	DWC113	SEPAR 16P PER CESTO TRAINO	GLASSES PARTITION 16 PLACES (D.110 MAX)
8	DWC114	SEPAR 36P PER CESTO TRAINO	GLASSES PARTITION 36 PLACES (D.72 MAX)

