

**cod.DW102N**

data:23/12/2021

**Catalogo ricambi  
Spare parts catalog  
Catalogue de pièces détachées  
Ersatzteilkatalog  
Catálogo de repuestos  
Catálogo de peças de reposição  
Каталог запасных частей**

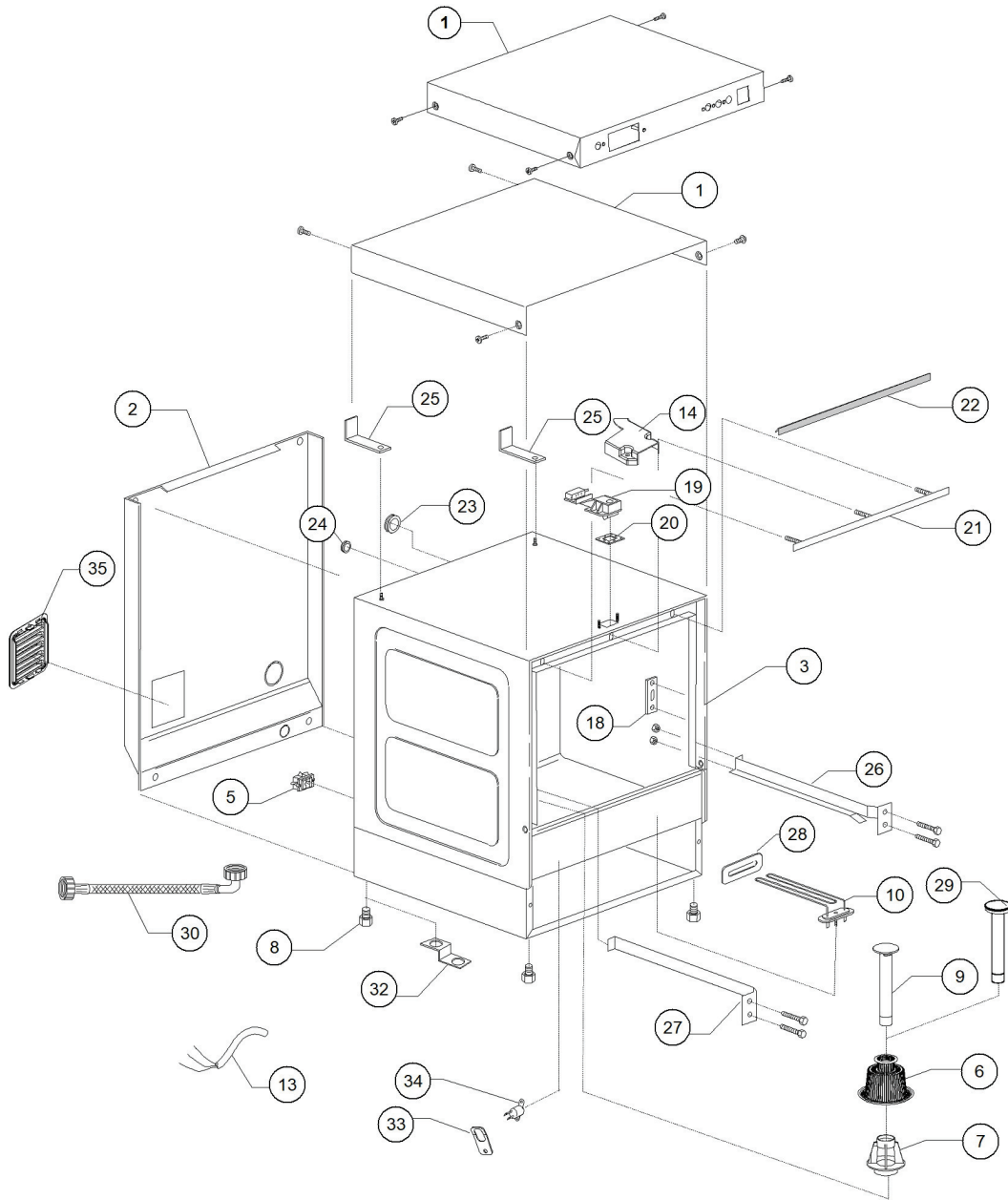
**GS40 T 230V 50HZ 2017**



**S/N:DWN1006251**



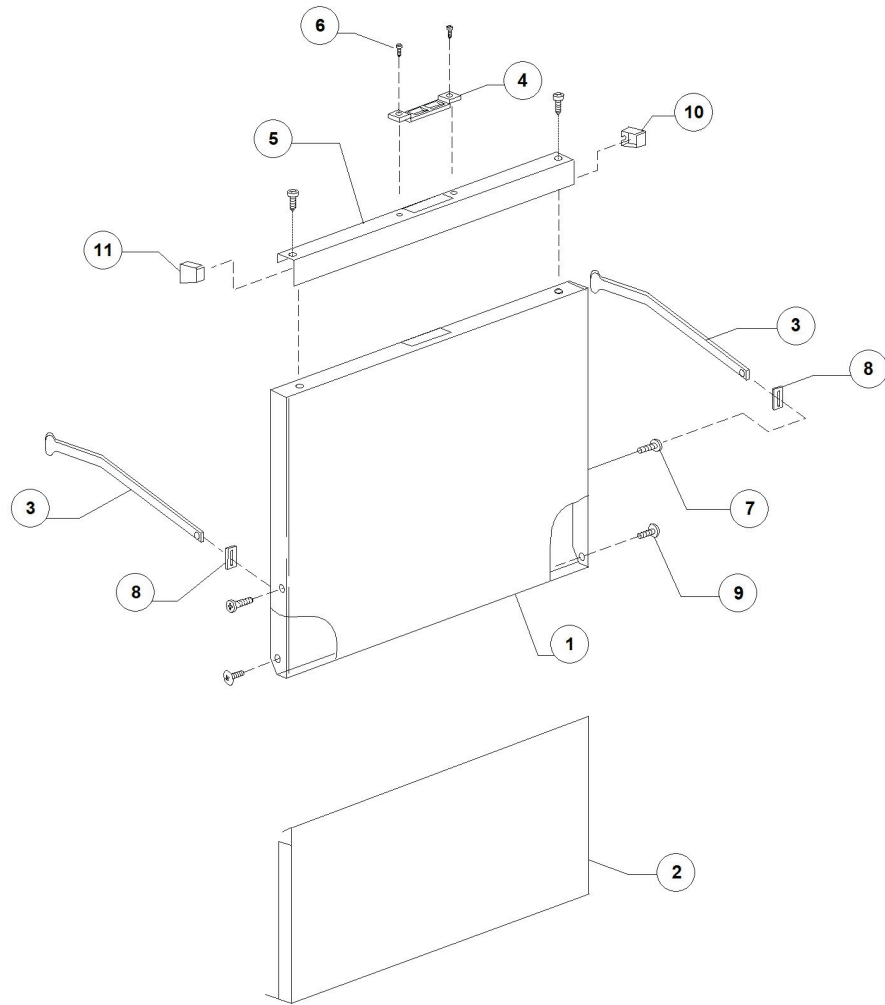
GS40 T 230V 50HZ 2017 - DWN1006251 - Gruppo carrozzeria - DW102N



**GS40 T 230V 50HZ 2017 - DWN1006251 - Gruppo carrozzeria - DW102N**

Pos.	Codice	Descrizione	Description
1	DW270022	"COPERCHIO "VERS.GS-N" 40/03"	COVER 40/03
2	DW270602	SCHIENALE 40/RL09 (1x25046)	BACK PANEL 40/RL09 (1x25046)
3	DW270600	CARROZZERIA 40/RL09	BODYWORK 40/RL09
5	DW15065/A	FISSACAVO PER VITI AUTOF (NR.2x11007)	CABLE-FASTENER WITH SCREW
6	DW25003	FILTRO ASPIRAZIONE POMPA RL/09	SUCTION FILTER
7	DW25002	GHIERA SUPPORTO FILTRO RL/09	FILTER CLUTCH FERRULE
8	DW10850	PIEDINO REG. PLASTICA NERO BASSO	LOW ADJUSTABLE FOOT (MINIMUM 4 PCS)
9	DW25004	TROPPO PIENO RL/09	OVERFLOW PIPE RL/09
10	DW16035/C	RESIST.1250/1360W 230/240V 1	
13	DW440060	CAVO 3G1.5x2500	CABLE 3G1.5x2500
18	DW150401	GUIDA ASTA CURVA	DOOR ROD SLIDE (MIN. 4 PCS)
19	DW150402	CRICCOTTO COMPLETO PORTA '96 GS	DOOR JACK ASSEMBLY
20	DW150403	GUARNIZIONE PER CRICCOTTO SP. 1,5	DOOR JACK O-RING (MIN. 5 PCS)
21	DW270004	ANGOLARE PORTA 40/03	PROFILE FOR RUBBER SEAL GS50
22	DW135205	GUARN.PORTA SIL.GRIGIO (PROFILO B.10215)	SILICONE DOOR SEAL
23	DW13335	PASSACAVO DI34 IN GOMMA DE49 DF40	
24	DW13323	PASSACAVO IN GOMMA D.13	RUBBER FAIRLEAD D.13 (MIN. 2 PCS)
25	DW25043	SUPPORTO SCHIENALI GS	
26	DW270002	CORRENTINO DX 40/03	RIGHT INTERNAL SLIDE 40/03
27	DW270003	CORRENTINO SX 40/03	LEFT INTERNAL SLIDE 40/03
28	DW250043	PIASTRINA RESISTENZA VASCA	TANK HEATING ELEMENT PLAQUE
30	DW10726	CANNA CARICO PICC. WRAS m1,5x3/4 EN61770	LOAD PIPE WRAS M1,5x3/4 EN61770
33	DW15552/A	STAFFETTA PER TERMOSTATO VASCA KLIXON	
34	DW15552/B	TERMOST. SICUR.VASCA KLIXON SENZA STAFFA	KLIXON TANK SAFETY THERMOSTAT
35	DW25046	TAPPO CON GELOSIE	VENTILATION GRID

GS40 T 230V 50HZ 2017 - DWN1006251 - Porta - DW102N



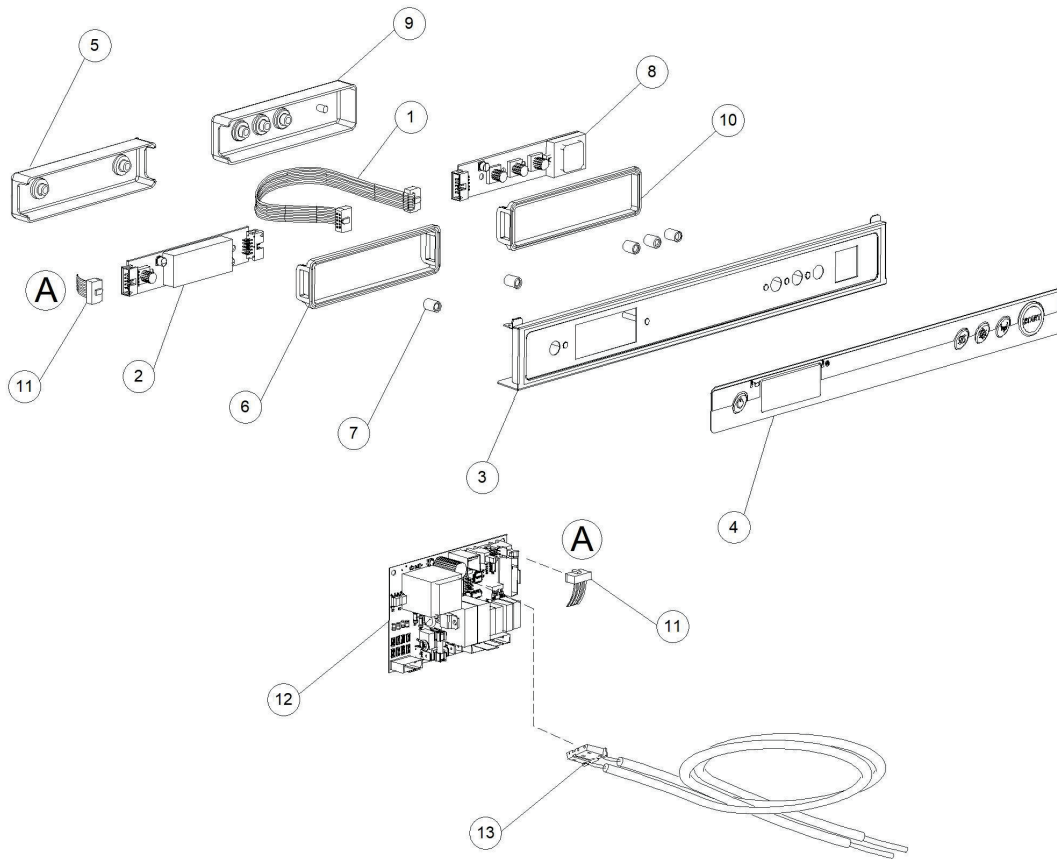
---

---

**GS40 T 230V 50HZ 2017 - DWN1006251 - Porta - DW102N**

<b>Pos.</b>	<b>Codice</b>	<b>Descrizione</b>	<b>Description</b>
1	DW270005	PORTA (SENZA MANIGLIA) 40/03	DOOR 40/03
2	DW270016	SOTTOPORTA 40/03	FRONT PANEL 40/03
3	DW250041	BRETEL.PORTA DX-SX VERS.05	ARM FOR DOOR
4	DW150402/D	BLOCCETTO CRICCOTTO PER PORTA '96	DOOR JACK HOOK
5	DW270010/D	MANIGLIA GS40 DIHR/2014	
6	DW11139	VITE M4X12 TSP CROCE INOX UNI7688 DIN965	M4X12 TSP S/S CROSS-SLOTTED SCREW UNI768
7	DW11136	VITE INOX M5X12 TSP UNI 7688 DIN965	M5X12 TSP S/S SCREW UNI7688
8	DW250042	PIASTRINA BRETELLA VERS.05	ROD GUIDE
9	DW11168	VITE M6X12 TCB T.LARGA 13X3 INOX	M6X12 LARGE TCB S/S SCREW 13X3

GS40 T 230V 50HZ 2017 - DWN1006251 - Pannello comandi - DW102N



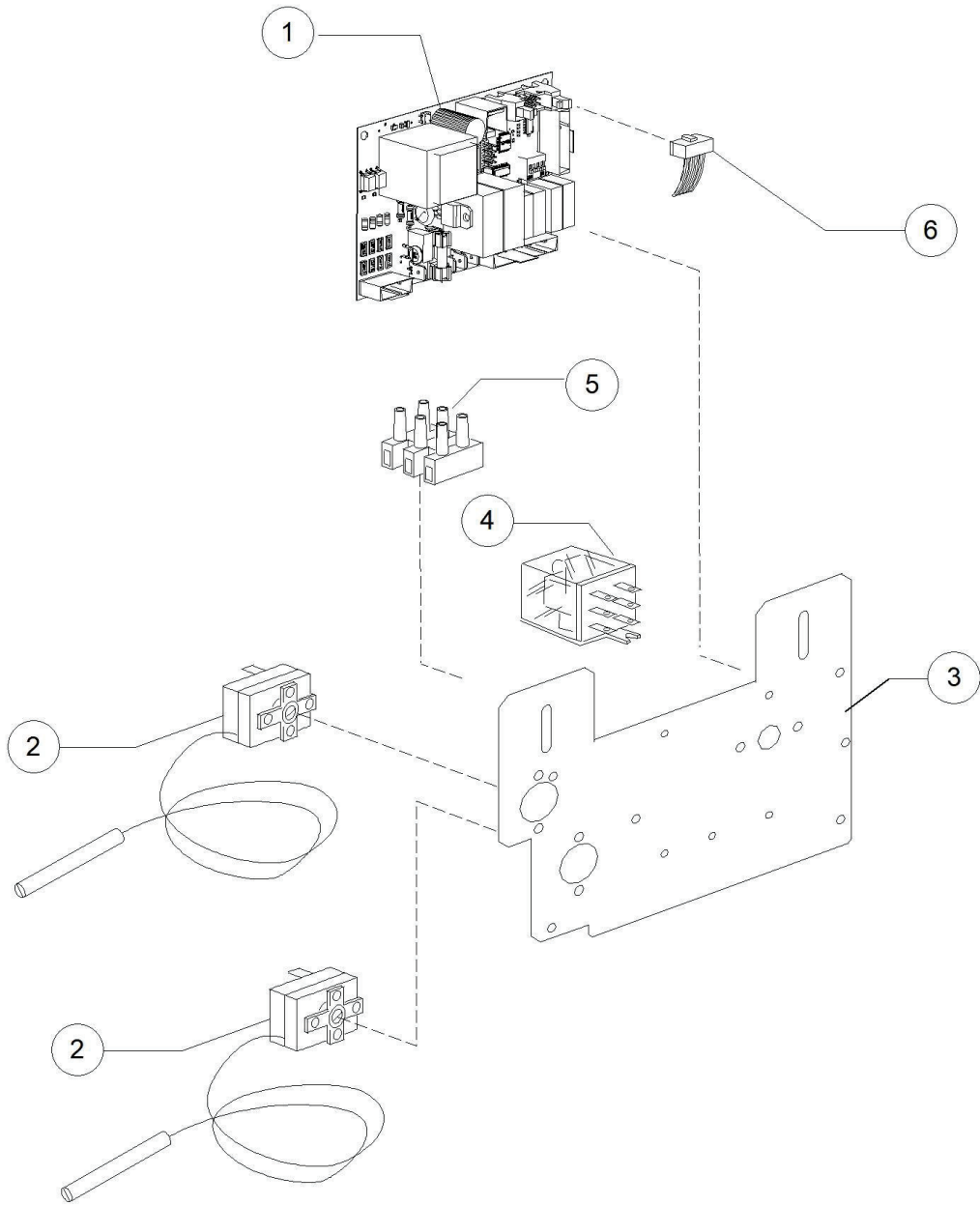
---

---

**GS40 T 230V 50HZ 2017 - DWN1006251 - Pannello comandi - DW102N**

Pos.	Codice	Descrizione	Description
1	DW50620	"PIATTINA M.FILO "F10p" L600 TOUCHE2017"	RIBBON CABLE F10p L600
2	DW50618	PULSANTIERA DISPLAY TOUCHE2017	
3	DW270070	PANN.COMANDI GS40 TOUCHE2017	
4	DW50622	MOSTRINA DIHR TOUCHE2021	CONTROL OVERLAY DIHR
5	DW50618/A	SCATOLA PROTEZ. PULS. DISPLAY TOUCHE2017	
6	DW50618/B	GUARNIZ.SCATOLA PULS.DISPLAY TOUCHE2017	
7	DW50561	DIST. SCHEDE ELETTR. 2009 D.8X10	MAINBOARD SPACER D.8X10
8	DW50619	PULSANTIERA TASTO START TOUCHE2017	
9	DW50619/A	SCATOLA PROTEZ. PULS. T.START TOUCHE2017	
10	DW50619/B	GUARNIZ.SCATOLA PULS. T.START TOUCHE2017	
11	DW50613	"PIATTINA "F10p" L2300 ANTIST TOUCHE2017"	RIBBON CABLE F10p L2300
12	DW50616	SCHEDA TIMER 35-37-40-50-85 TOUCHE2017	MAINBOARD 35-37-40-50-85 TOUCHE2017
13	DW50621	SONDA DOPPIA TERMOMETRI (O-B) TOUCHE2017	TEMPERATURE PROBE TOUCHE2017

GS40 T 230V 50HZ 2017 - DWN1006251 - Componenti elettrici - DW102N



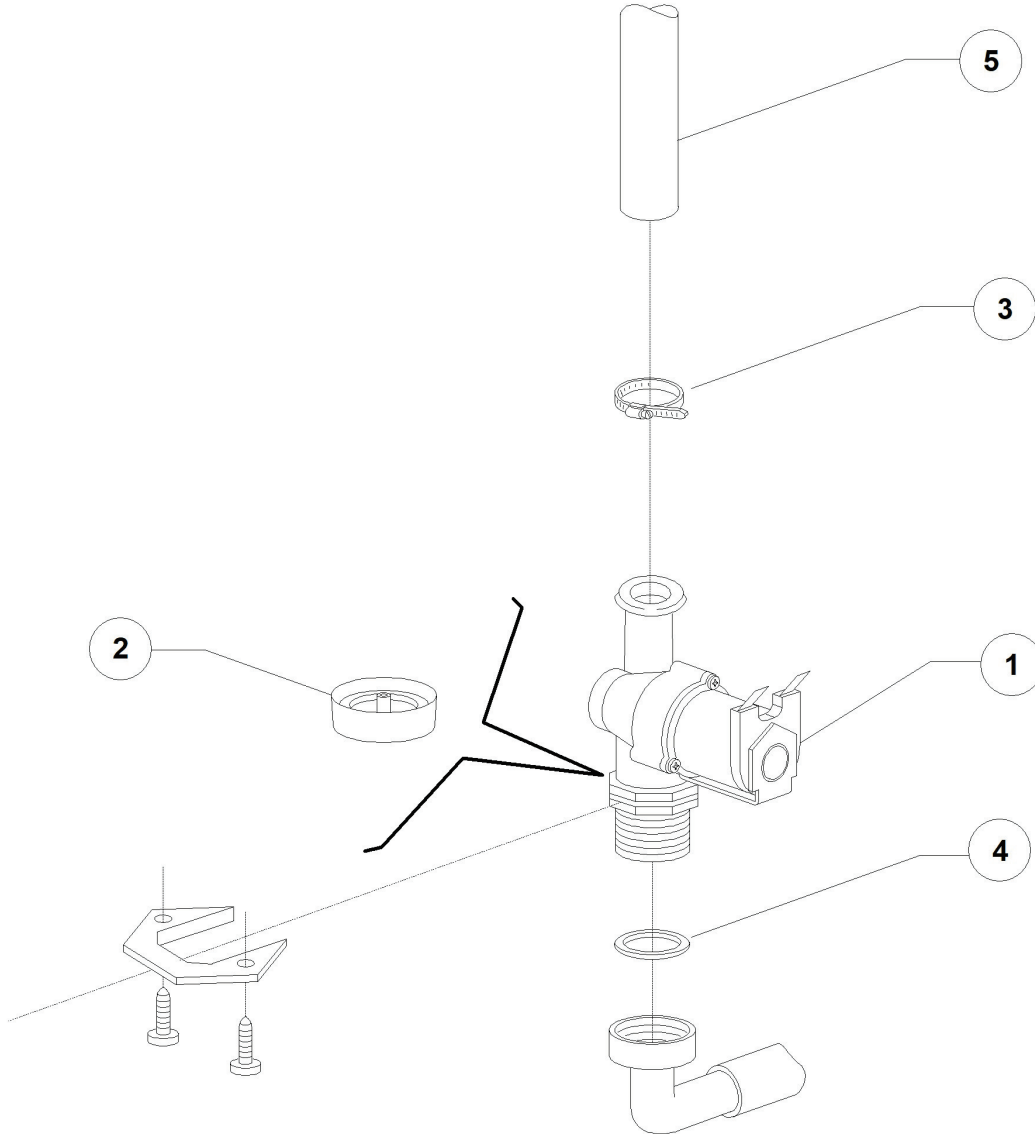


---

---

**GS40 T 230V 50HZ 2017 - DWN1006251 - Componenti elettrici - DW102N**

<b>Pos.</b>	<b>Codice</b>	<b>Descrizione</b>	<b>Description</b>
1	DW50616	SCHEDA TIMER 35-37-40-50-85 TOUCHE2017	MAINBOARD 35-37-40-50-85 TOUCHE2017
2	DW10707/1	TERM.0-90 TR2 C1500+PVC POST.N/ALB	THERMOSTAT 0-90 TR2 C1500+PVC POST.N/ALB
3	DW25040	PORTACOMPONENTI 34-39/2014	
4	DW15620	RELE BIPOLARE 16A IN DEV.	16A BIPOLAR RELAY IN DEVIATION
5	DW15204	MORSETTIERA PA 21 12 POLI M-M	TERMINAL BOARD PA21 12P
6	DW50613	"PIATTINA "F10p" L2300 ANTIST TOUCHE2017"	RIBBON CABLE F10p L2300

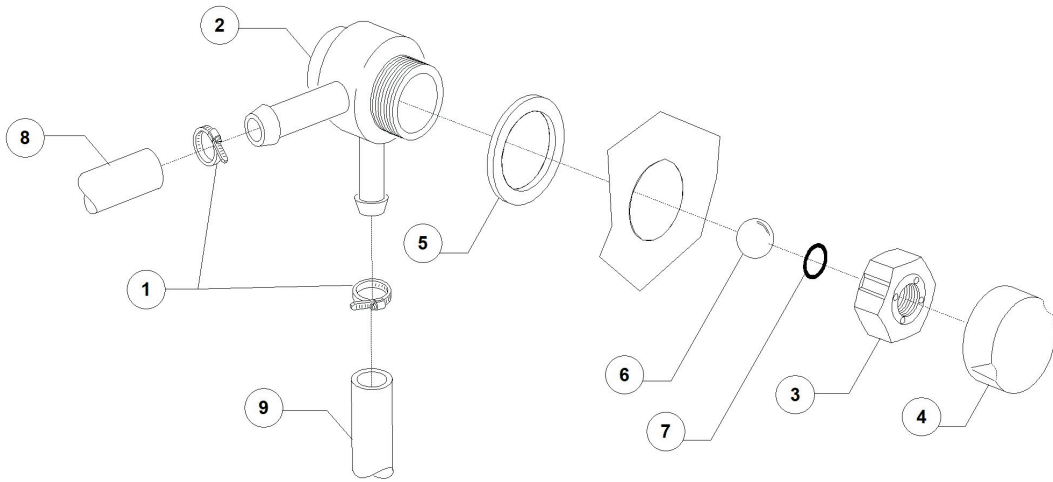


---

---

**GS40 T 230V 50HZ 2017 - DWN1006251 - Valvola di carico - DW102N**

<b>Pos.</b>	<b>Codice</b>	<b>Descrizione</b>	<b>Description</b>
1	DW10703	ELETTROV. SING. H2O 230V DIS.LS036	SINGLE SOLENOID VALVE H2O 230V
3	DW11807	FASCETTE AISI 430 12/22	CLAMP 12/22 AISI 430
4	DW13307	GUARNIZ. 3/4 CARICO H2O DIS.LS061	GUARNIZ. 3/4 CARICO H2O DIS.LS061
5	DW14506	TUBO GOMMA DIAM 9,5X16 EPDM	9,5X16 EPDM RUBBER PIPE



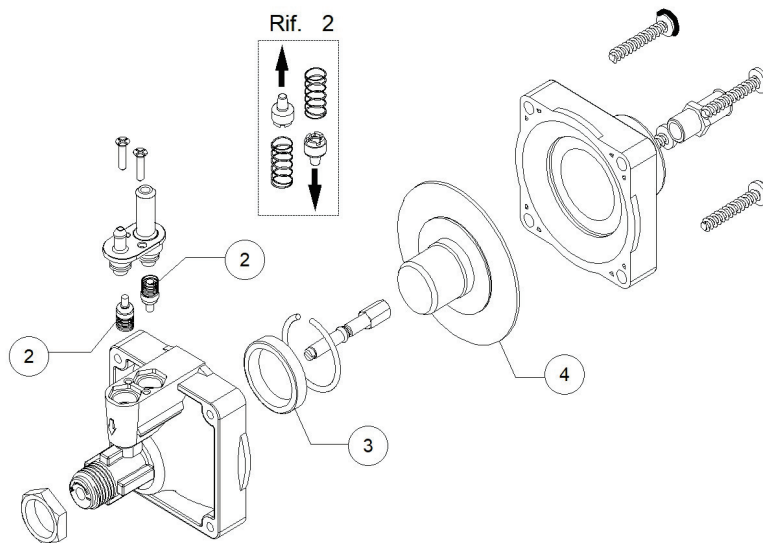
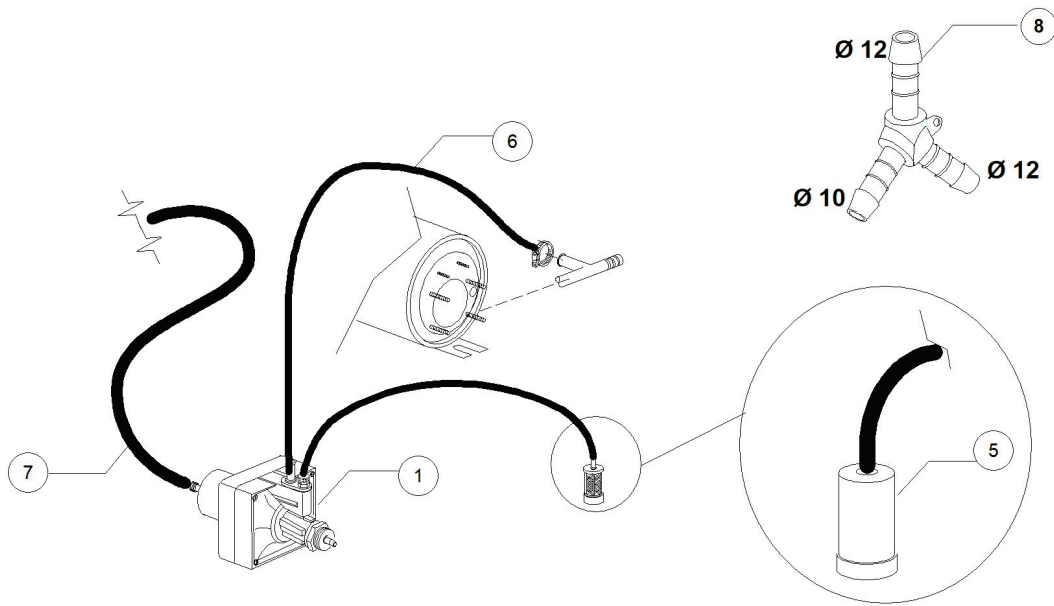
---

---

**GS40 T 230V 50HZ 2017 - DWN1006251 - Valvola DVGW - DW102N**

<b>Pos.</b>	<b>Codice</b>	<b>Descrizione</b>	<b>Description</b>
1	DW11807	FASCETTE AISI 430 12/22	CLAMP 12/22 AISI 430
2	DW15280	CORPO CENTRALE VALVOLA DVGW 07	DRAIN VALVE CENTER BODY
3	DW15281	DADO VALVOLA DVGW 07	VALVE NUT
4	DW15282	COPRI DADO VALVOLA DVGW 07	VALVE NUT COVER
5	DW15283	GUARNIZIONE VALVOLA DVGW 07	VALVE GASKET
6	DW15284	"SFERA 5/8" VALVOLA DVGW 07"	"5/8" BALL FOR DVGW VALVE 07"
7	DW15285	GUARNIZIONE OR 115 KTW VALVOLA DVGW 07	O-RING 115 KTW
8	DW14506	TUBO GOMMA DIAM 9,5X16 EPDM	9,5X16 EPDM RUBBER PIPE
9	DW14506	TUBO GOMMA DIAM 9,5X16 EPDM	9,5X16 EPDM RUBBER PIPE

GS40 T 230V 50HZ 2017 - DWN1006251 - Gruppo dosatore Brillantante - DW102N



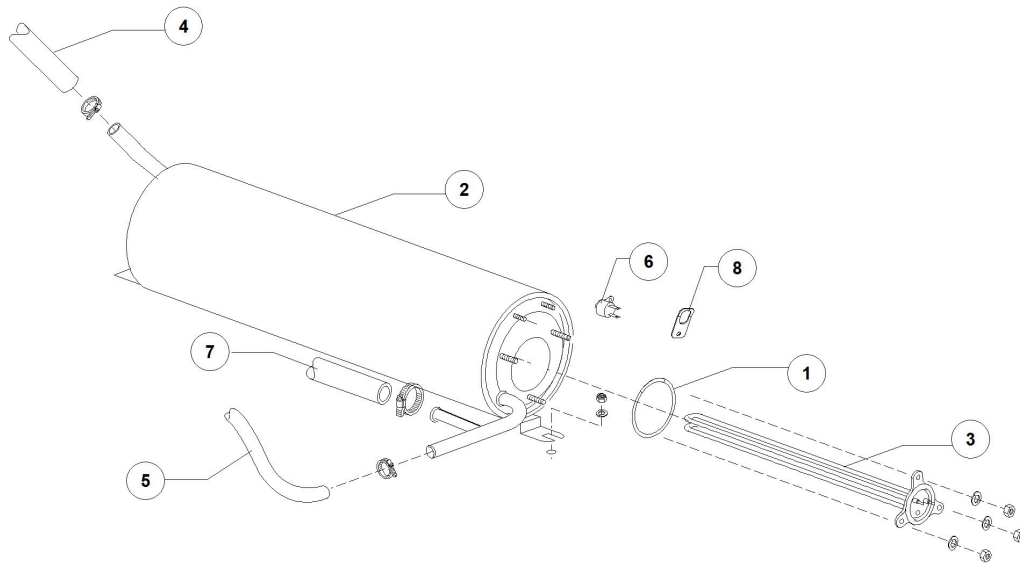
---

---

**GS40 T 230V 50HZ 2017 - DWN1006251 - Gruppo dosatore Brillantante - DW102N**

<b>Pos.</b>	<b>Codice</b>	<b>Descrizione</b>	<b>Description</b>
1	DW10799	DOSATORE BRILLANTANTE (TECNO PRO)	RINSE AID DOSING PUMP
2	DW10805	VALVOLE+MOLLE(2)DOS.BRILL.TECNOPRO	TECNOPRO NON RETURN VALVE
3	DW10806	GUARNIZIONE D22 DOS.BRILL.TECNOPRO	GASKET D.22
4	DW10807	MEMBRANA X DOSATORE BRILL.TECNOPRO	MEMBRANE FOR DOSING PUMP
5	DW15058	FILTRINO CON PESO ASPIR. DET/BRIL	SMALL FILTER (MIN. 3 PCS)
6	DW10200293	TUBO EPDM 8X15 PER DOSATORE	8X15 EPDM PIPE
7	DW14506	TUBO GOMMA DIAM 9,5X16 EPDM	9,5X16 EPDM RUBBER PIPE

GS40 T 230V 50HZ 2017 - DWN1006251 - Gruppo boiler - DW102N



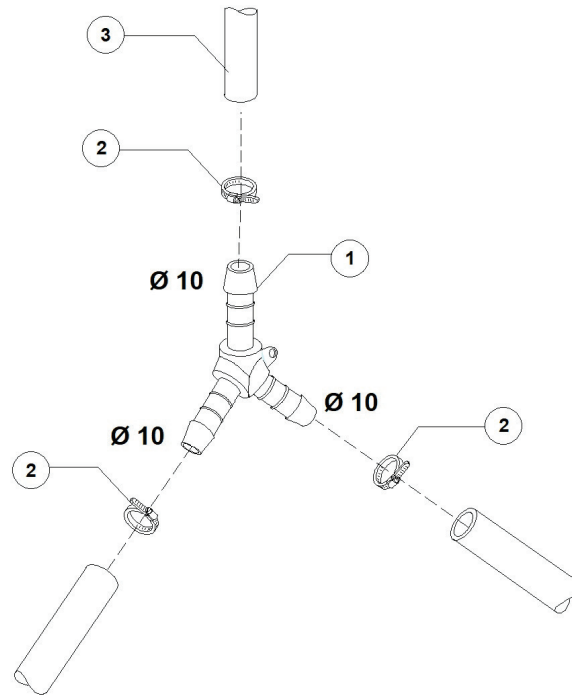


---

---

**GS40 T 230V 50HZ 2017 - DWN1006251 - Gruppo boiler - DW102N**

<b>Pos.</b>	<b>Codice</b>	<b>Descrizione</b>	<b>Description</b>
1	DW13010	GUARNIZIONE OR RESISTENZA	HEATING ELEMENT O-RING (MIN. 5 PCS)
2	DW140905	"BOILER "SERIE 40" (AISI 304)"	BOILER 40 (AISI 304)
3	DW18206/D	RES.2800/3050W 230/240V 1 D38 L300	2800/3050W 230/240V1 D38 HEATING ELEM.
4	DW2907354	TUBO PYTHON NV10 10X17	PYTHON HOSE NV10 10X17
5	DW14506	TUBO GOMMA DIAM 9,5X16 EPDM	9,5X16 EPDM RUBBER PIPE
6	DW15550	TERMOSTATO SICUR. CONTATTO KLIXON	KLIXON SAFETY THERMOSTAT
7	DW10200293	TUBO EPDM 8X15 PER DOSATORE	8X15 EPDM PIPE
8	DW15552/A	STAFFETTA PER TERMOSTATO VASCA KLIXON	



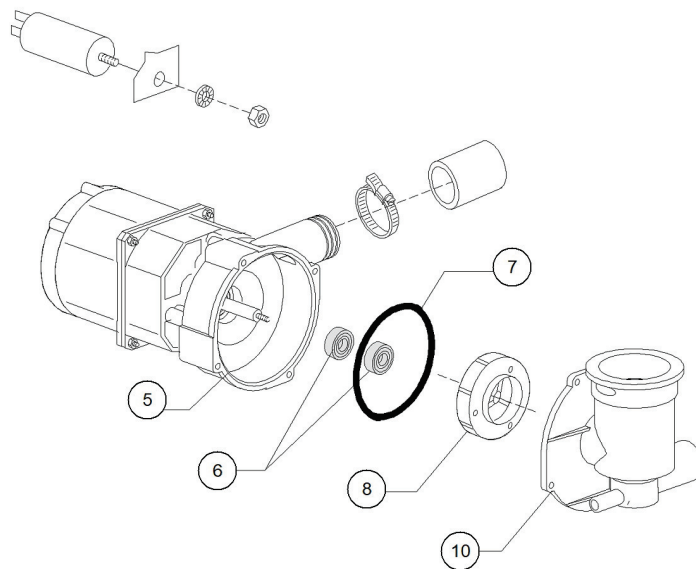
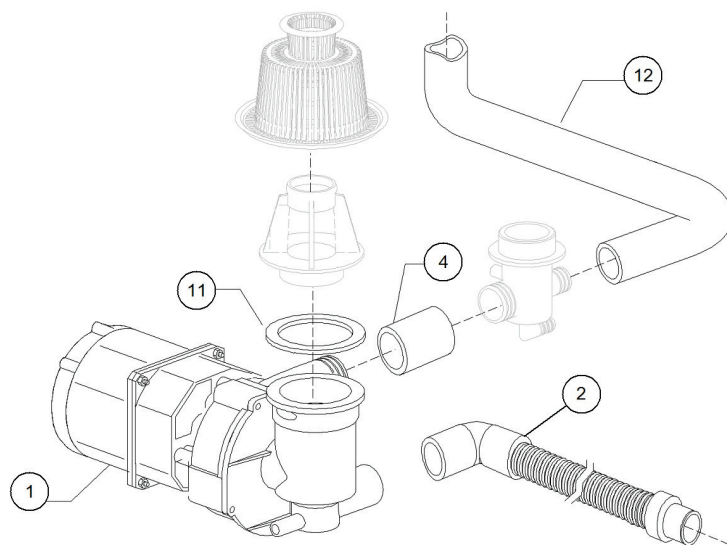
---

---

**GS40 T 230V 50HZ 2017 - DWN1006251 - Deviazione 3 vie - DW102N**

<b>Pos.</b>	<b>Codice</b>	<b>Descrizione</b>	<b>Description</b>
1	DW540090	DERIV. 3VIE Y D10 PLASTICA	PLASTIC Y-PIECE D.10
2	DW11800	FASCETTA AISI 430 8/16 LINER LUNGO	CLAMP 8/16 AISI 430
3	DW14506	TUBO GOMMA DIAM 9,5X16 EPDM	9,5X16 EPDM RUBBER PIPE

GS40 T 230V 50HZ 2017 - DWN1006251 - Gruppo pompa di lavaggio - DW102N

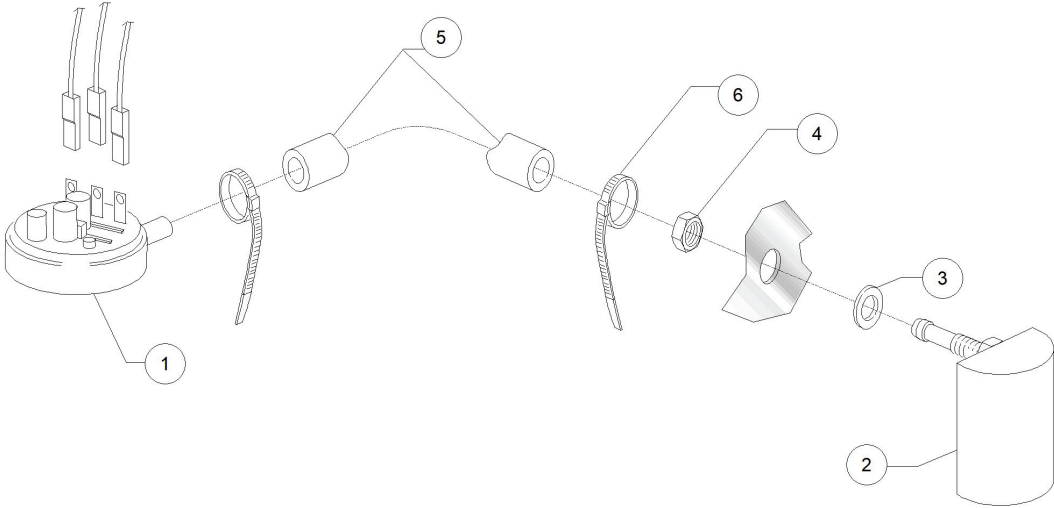


---

---

**GS40 T 230V 50HZ 2017 - DWN1006251 - Gruppo pompa di lavaggio - DW102N**

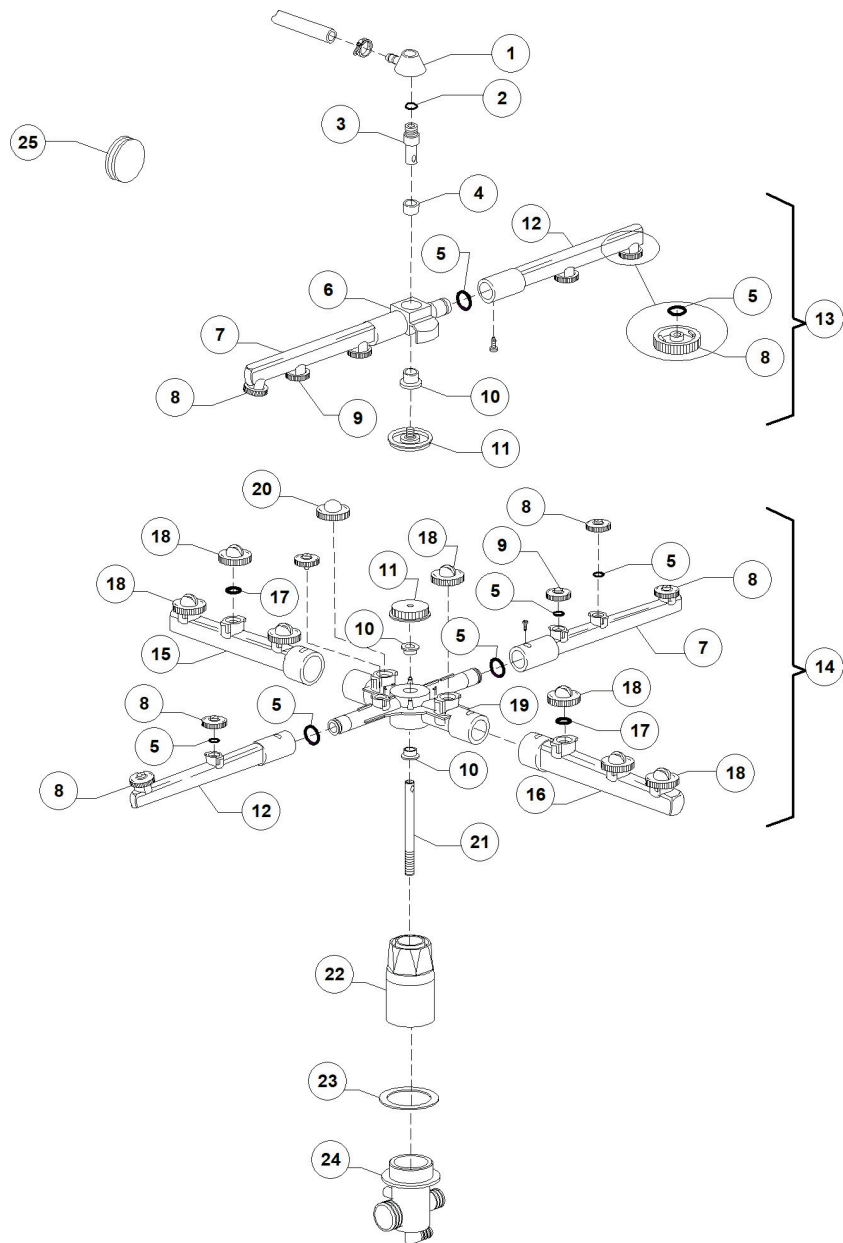
<b>Pos.</b>	<b>Codice</b>	<b>Descrizione</b>	<b>Description</b>
1	DW25024	POZZETTO&POMPA 400W 230/50 RL/09	WASH PUMP&SCRAP TRAY 400W 230/50 RL/09
2	DW25031	CANNA SCARICO 1,5 MT 24-28 PIPA	DRAIN HOSE 1,5MT 24-28
4	DW25019	MANICOTTO POMPA-TORRETTA RL/09	PIPE COUPLING
5	DW25000	#FLANGIA POSTERIORE RL/09	REAR FLANGE RL/09
6	DW15080	PREMISTOPA+CONTROFACCIA	ROTATING SEALS
7	DW25029	GUARN. OR 72,67x1,78 POMPA RL/09	O RING 72,67x1,78 PUMP RL/09
8	DW25024/A	GIRANTE POMPA (25024) D.76 PER 50HZ	PUMP ROTOR D.76 (DW25024)
10	DW25001	#FLANGIA ANTERIORE CON POZZETTO RL/09	FRONT FLANGE WITH SCRAP TRAY
11	DW25009	GUARNIZIONE POZZETTO-GHIERA RL/09	SCRAP TRAY/RING NUT GASKET
12	DW25018	MANICOTTO LAV.SUP. 40 RL/09	UPPER WASH PIPE COUPLING



**GS40 T 230V 50HZ 2017 - DWN1006251 - Pressostato - DW102N**

<b>Pos.</b>	<b>Codice</b>	<b>Descrizione</b>	<b>Description</b>
1	DW10706/A	"PRESSOSTATO "EL." 46-26"	PRESSURE SWITCH 46-26
2	DW135911/B	ASSIEME GABBIA D'ARIA GRIGIA L75	GREY AIR TRAP ASSEMBLY L75
3	DW13301	GUARNIZ. IN ROLMART D14x8x1,5	O-RING ROLMART D14X8X1,5
4	DW11702	DADO M8 INOX UNI5588 DIN934	S/S NUT M8 DIN934 (MIN. 20 PCS)
5	DW14508	TUBO EPDM 4.5X9 PER PRESSOSTATO	EPDM HOSE 4.5X9 FOR PRESSURE SWITCH
6	DW10738	FASCETTA PLASTICA 98X2.5	PLASTIC CLAMP 98X2,5

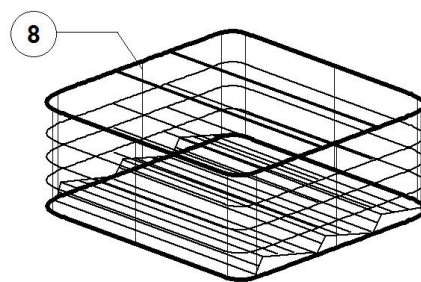
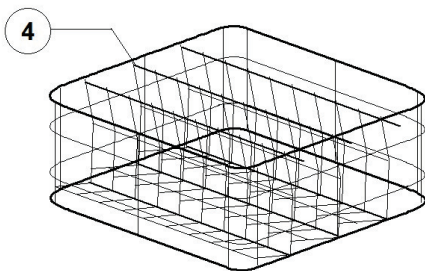
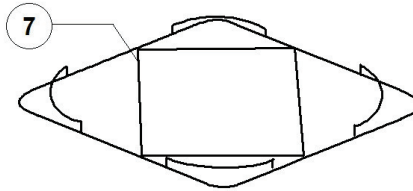
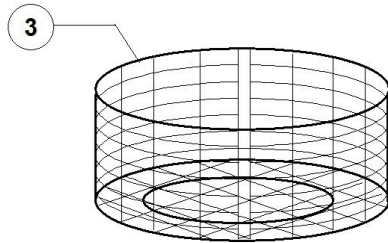
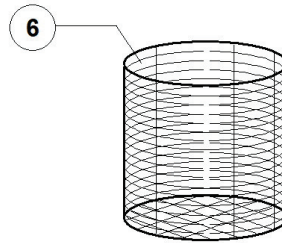
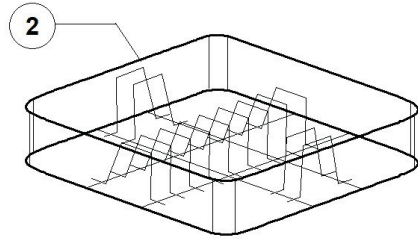
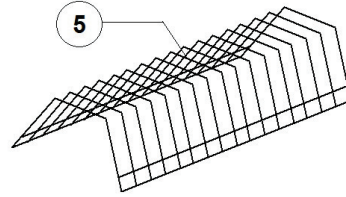
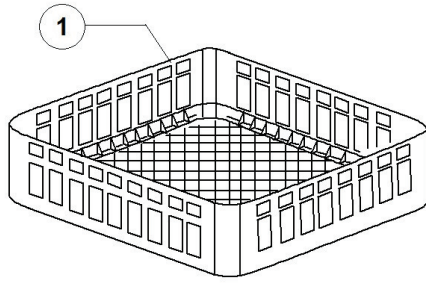
GS40 T 230V 50HZ 2017 - DWN1006251 - Gruppo lavaggio-risciacquo - DW102N





**GS40 T 230V 50HZ 2017 - DWN1006251 - Gruppo lavaggio-risciacquo - DW102N**

Pos.	Codice	Descrizione	Description
1	DW350402	TORRETTA SUP. MOZZO RISC. 35/40	WASH ARMS' UPPER SUPPORT 35/40
2	DW13003	GUARNIZIONE OR 112 NBR	O-RING 112 NBR (MIN. 10 PCS)
3	DW350401	ASSE SUP. MOZZO RISC. 35/40	UPPER AXLE RINSE HUB 35/40
4	DW13320	RONDELLA SCORRIMENTO PTFE+CB H7.5	SLIDING WASHER PTFE+CB H7.5
5	DW13002	GUARNIZIONE OR R6 NBR	O-RING R6 NBR (MIN. 10 PCS)
6	DW10373	GIRANTE RISC.95 GRIGIO(13319+13320)	RINSE ROTOR (13319+13320)
7	DW10375	TUBO RISCACQUO SX 95 GRIGIO	GREY LEFT RINSE ARM/95
8	DW10371	TESTA UGEL. RISC. 95 APER. GRIG.(MIN 10)	OPENED RINSE NOZZLE (BATCH 10PCS)
9	DW10372	TESTA UGEL.RISC.95 CHIU. GRIGIO (MIN 10)	CLOSED RINSE NOZZLE (BATCH 10PCS)
10	DW13319	ROND. SCORRIM. PTFE+CB H11	SLIDING WASHER PTFE+CB H11 (MIN.2 PCS)
11	DW10377	MANOPOLA CON INSERTO 95 GRIGIO	KNOB WITH INSERT
12	DW10374	TUBO RISCACQUO DX 95 GRIGIO	GREY RIGHT RINSE ARM/95
13	DW10997	GRUPPO RISC.SUPERIORE SERIE 97 GRIG	UPPER RINSE ASSEMBLY 97
14	DW540999	GRUPPO LAV+RISC.INF.'97 400 CF GRIG	LOWER WASH/RINSE ASSEMBLY 400CF '97
15	DW10367	TUBO LAVAGGIO DX 95 GRIGIO	GREY RIGHT WASH ARM 95
16	DW10368	TUBO LAVAGGIO SX 95 GRIGIO	GREY LEFT WASH ARM 95
17	DW13009	GUARNIZIONE OR 2050 NBR	O-RING 2050 NBR (MIN. 40 PCS)
18	DW10369	TESTA UGEL.LAV.95 3,5 GRIGIO (MIN 10)	WASH NOZZLE (BATCH 10PCS)
19	DW540043	GIRANTE LAV+RIS ALL GRIGIO(2X13319)	WASH/RINSE ROTOR
20	DW10370	TESTA UGEL.LAV.95 CHIUSO GRIGIO (MIN 10)	CLOSED WASH NOZZLE (BATCH 10PCS)
21	DW25012	ASSE RISC 37-40-351-371-401RL/09-35/RL14	RINSE AXLE 37-40-351-371-401RL/09-35/RL1
22	DW25007	MANICO.37-40-351-371-401 RL/09 - 35RL/14	LOWER PIPE COUPLING
23	DW25010	GUARNIZIONE TORRETTA-MANICOTTO RL/09	TURRET/SUCTION PIPE GASKET
24	DW25005	TORRETTA INFERIORE RL/09 CF	WASH ARMS' LOWER SUPPORT RL/09 CF
25	DW25013	GUARN. CIECA TUBO LAV. SUP. RL/09	UPPER WASH PIPE PLUG RL/09



---

---

**GS40 T 230V 50HZ 2017 - DWN1006251 - Cesti - DW102N**

<b>Pos.</b>	<b>Codice</b>	<b>Descrizione</b>	<b>Description</b>
1	DWC121	CESTO BICCH. 40X40 BORDI TONDI T.4	400X400 GLASS BASKET
5	DW10728	INSERTO PIATTINI 14 POSTI	SAUCER HOLDER 14 PCS
6	DW15060	INSERTO CUCCHIAINI GRANDI DIS.G.060	CUTLERY BASKET

