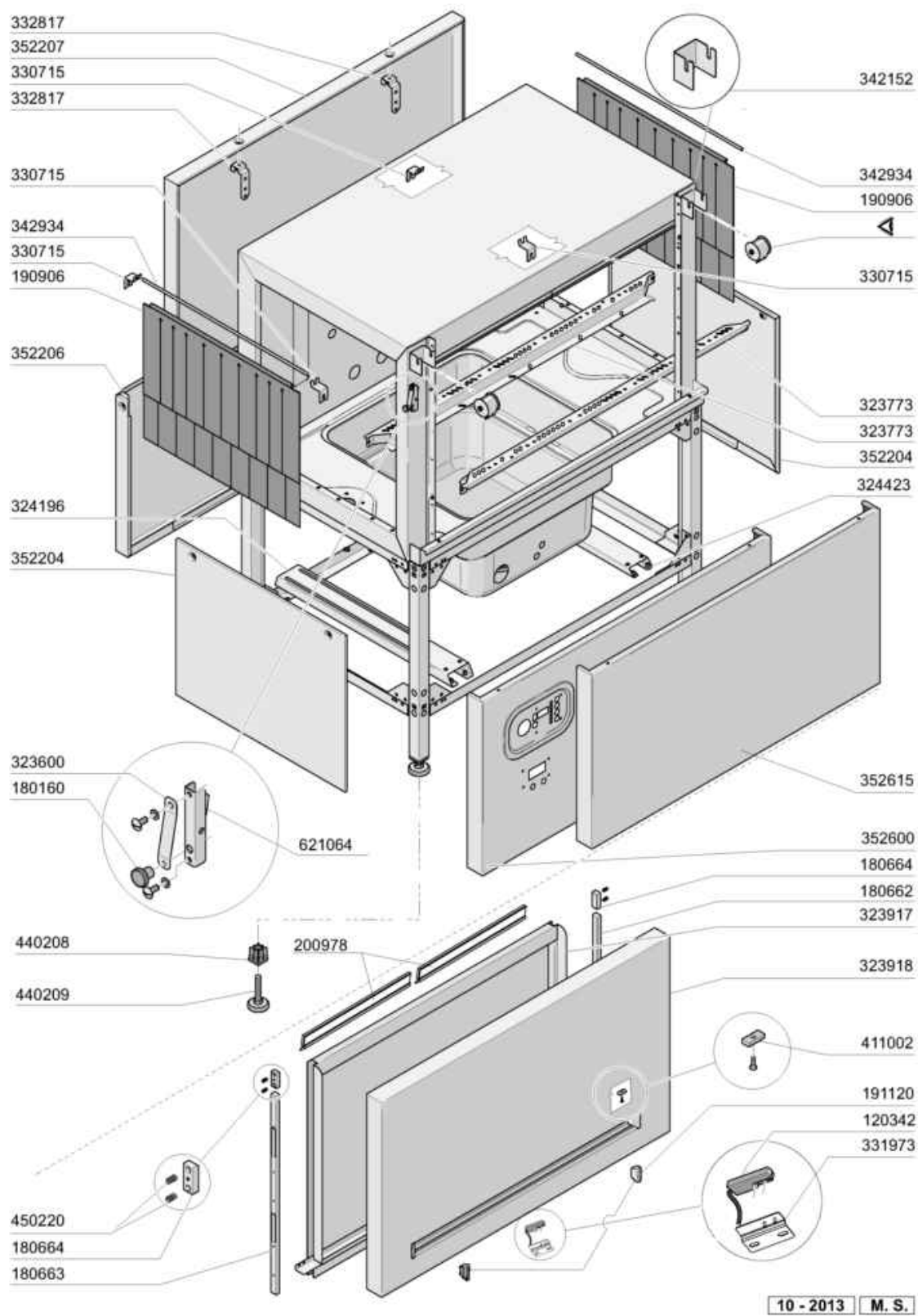
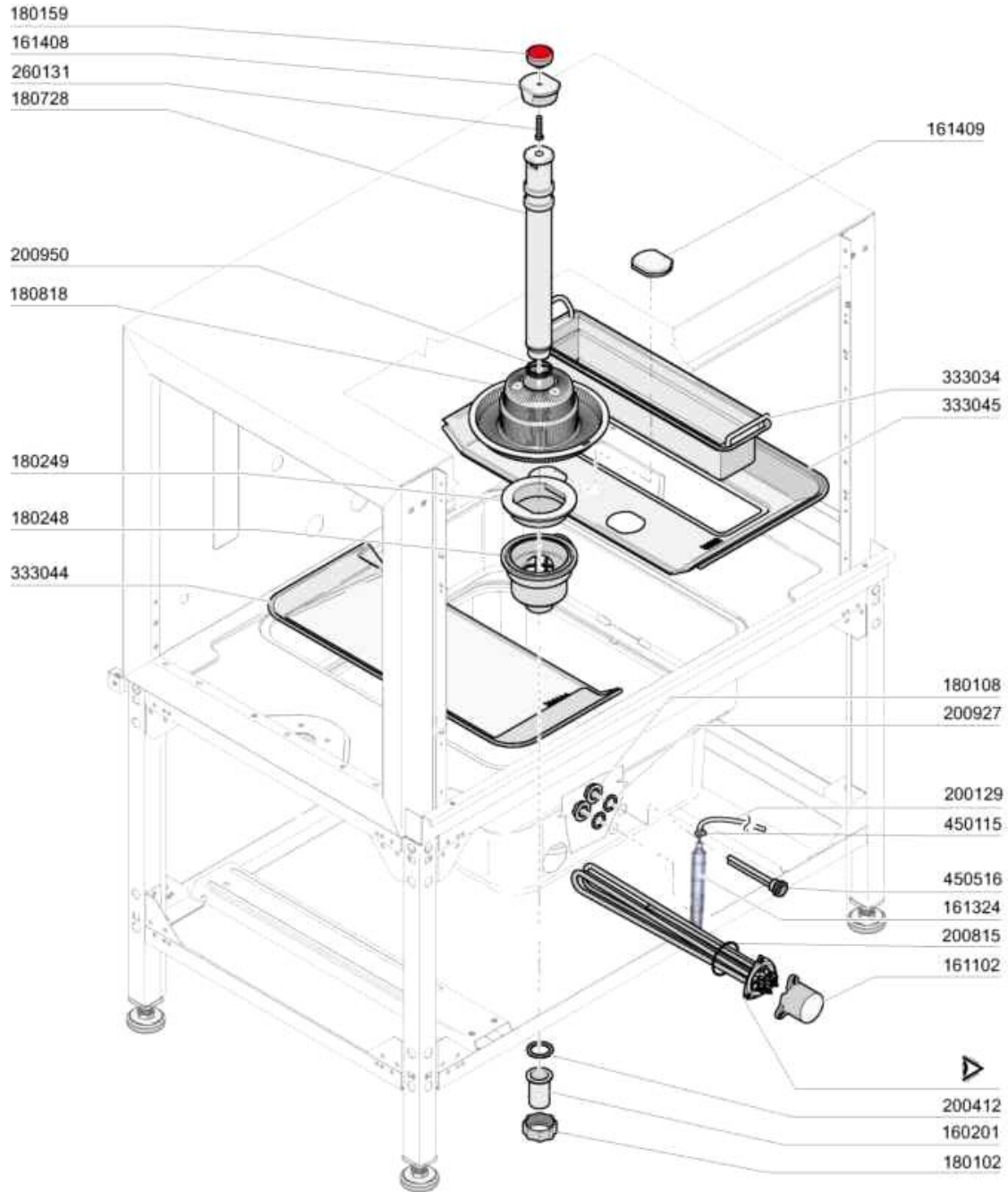


- 
- 1 Hood
  - 2 Tank
  - 3 Drive unit
  - 4 Economiseur
  - 5 Wash column
  - 6 Rinse RCD
  - 7 Rinse
  - 8 Control Box
  - 9 ELECTRIC COMPONENTS
  - 10 Springs-Thermostat
  - 11 Accessories
  - 12 Pumps spare parts
  - 13 Pump
  - 14 Hood 200mm
  - 15 Water counter/HPS EASY
  - 16 HPS EASY PLUS
  - 17 Solenoid valves
  - 18 Self cleaning
  - 19 Dryer 600
  - 20 Dryer on curve
  - 21 ARC
  - 22 Heat recovery unit
  - 23 Heat Recovery Unit
  - 24 Drain Pump



## Hood

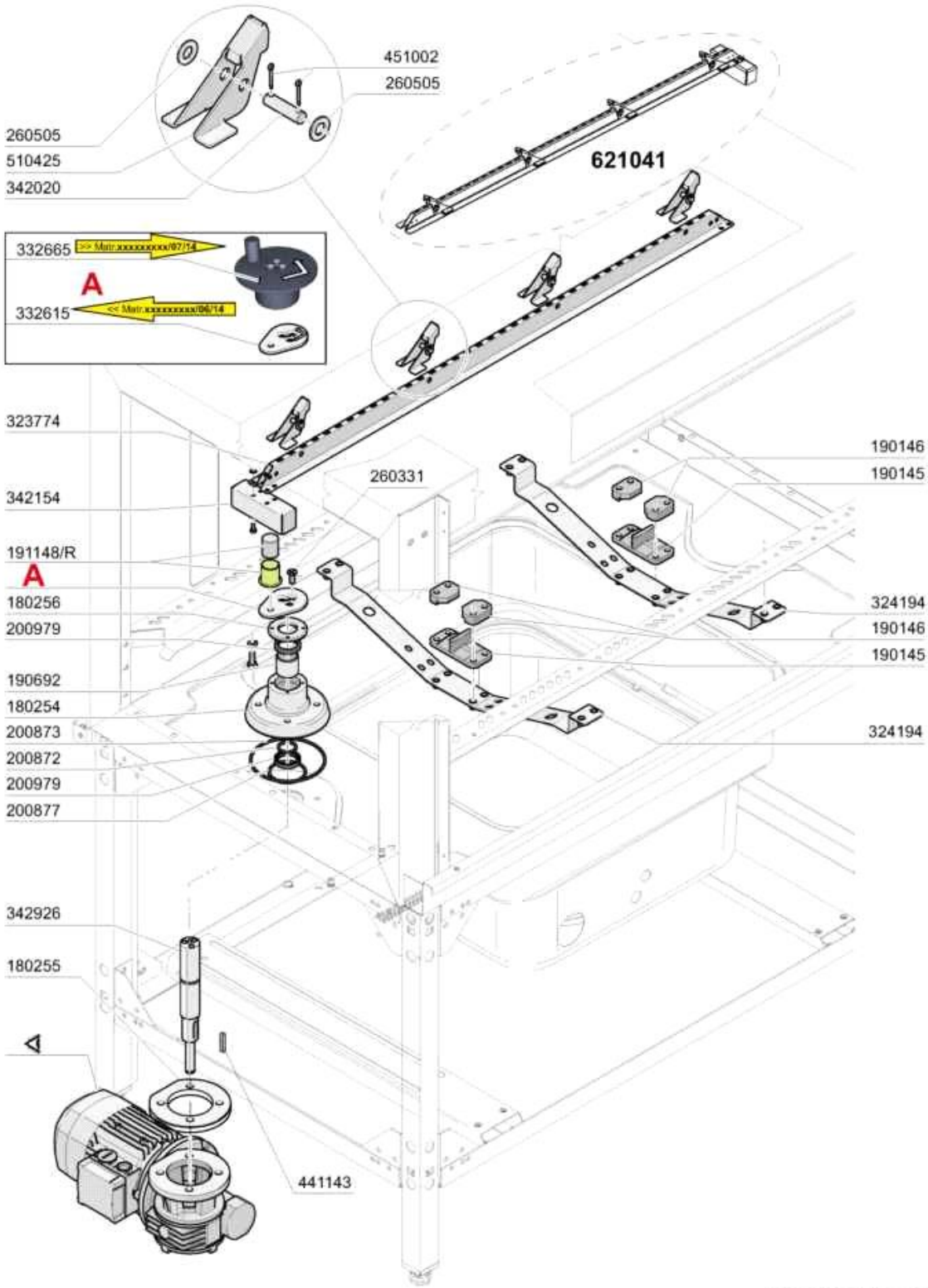
Code	Description	Price (EUR)
120342	DOOR MAGNETIC SWITCH	44.27
180160	HANDLE EKK.18 B-M4-C1	4.94
180662	AC2 RIGHT DOOR GUIDE	53.52
180663	AC2 RIGHT DOOR GUIDE AC2	53.52
180664	AC2 DOOR GUIDE BRAKE	27.76
190906	CURTAIN IN/OUT 620X480	130.43
191120	HANDLE CAP	3.27
200978	GASKET	48.66
323600	DOOR BRACKET	3.92
323773	1150 HOOD RACK GUIDE AC2	59.75
323917	1150 DOOR INSULATED PANEL	398.96
323918	DOOR MM 1150	300.44
324196	BOILER SUPPORT	48.39
324423	PUMP SUPPORT	45.26
330715	UPPER BRACKET CURTAIN SNL-SE	5.15
331973	DOOR MICRO SWITCH BRACKET	22.64
332817	BRACKET	28.97
342152	DOOR SPRING SUPPORT	13.51
342934	SHAFT FOR CURTAIN AC2-AC2P	10.55
352204	SIDE PANEL	122.12
352206	BACK PANEL	183.60
352207	BACK PANEL	218.95
352600	FRONT PANEL	400.41
352615	1150 MM FRON PANEL	238.49
411002	PERMANENT MAGNET 24X12	2.79
440208	FOOT INSERT	2.63
440209	COMPLETE FOOT NE	17.24
450220	SPRING	0.88
621064	DOOR STOP LEVER ASSEMBLY AC2	42.38



09 - 2015 M. S.

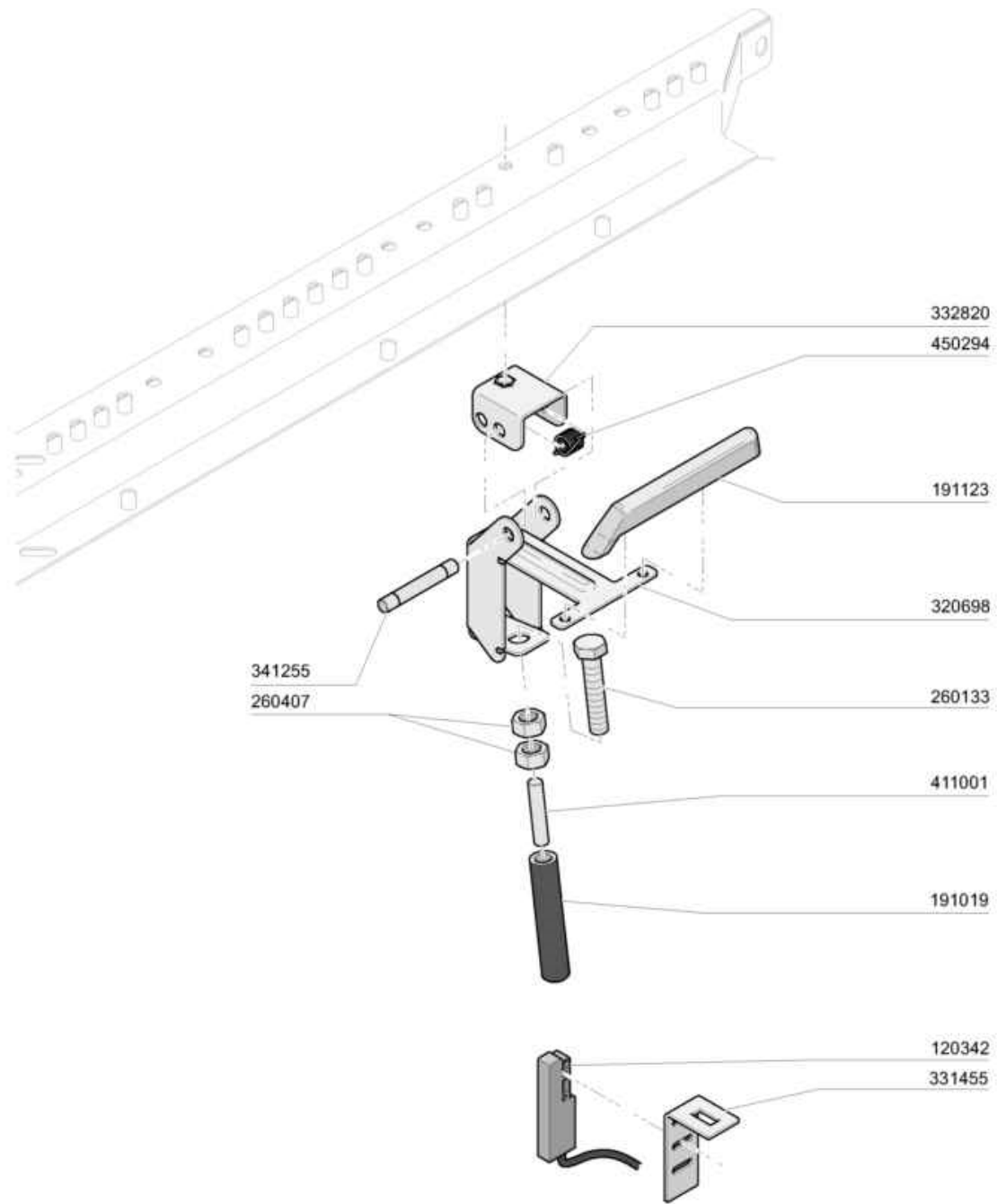
## Tank

Code	Description	Price (EUR)
160201	ELBOW F.TANK INLET MOPLN	2.54
161102	ELEMENT COVER MOPL. H50 (HIGH)	4.52
161324	AIR CHAMBER	13.89
161408	OVERFLOW PIPE CAP	44.85
161409	FILTER PLUG	18.99
180102	DRAIN PIPE NUT 1"1/2 F45-55	3.64
180108	PLASTIC NUT 1/2"	3.29
180159	HANDLE ELK. 45 B-M6-C6	19.05
180248	SUCTION TANK	16.07
180249	NUT	0.00
180728	OVERFLOW PIPE	20.55
180818	STRAINER FOR FC	16.89
200129	HOSE 5X11 FOR PRESSURE SWITCH	5.41
200412	GASKET DRAIN 1 1/2" 45X33X3	1.02
200815	O-RING F. HEAT. ELEM.	1.90
200927	GASKET FOR AIR TRAP	1.25
200950	VITON GASKET	19.65
260131	SCREW 6X45	1.48
333034	FILTER 425X75 H90	191.66
333044	FILTER	136.25
333045	FILTER	197.05
450115	ELASTIC CLAMP D.8,3/7,8	0.20
450516	THERMOSTAT SHIELD FOR 2 TERMOS	22.73



## Drive unit

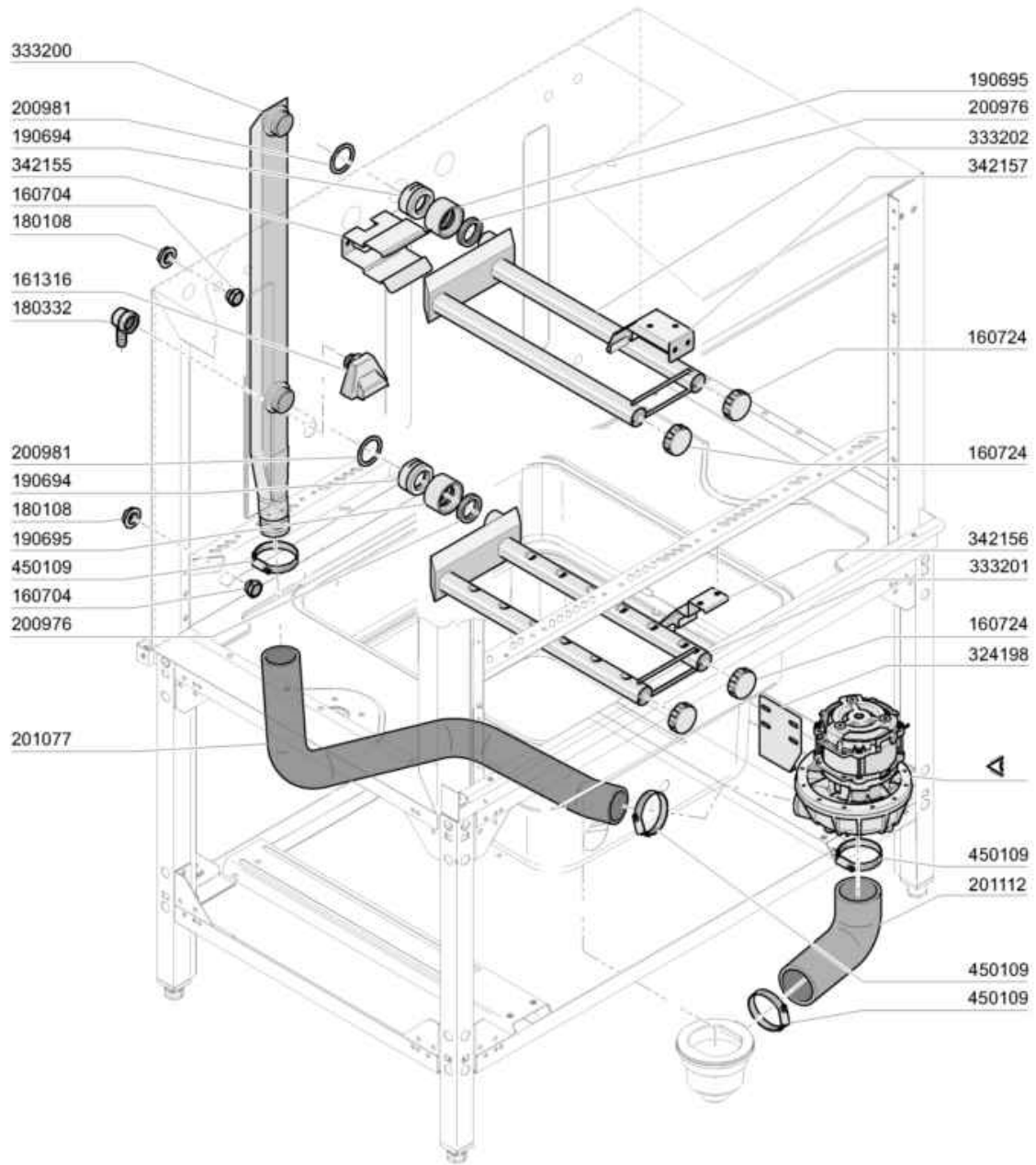
Code	Description	Price (EUR)
180254	FLANGE	141.74
180255	COUNTERFLANGE	53.52
180256	FLANGE COVER	43.51
190145	SUPPORT F.PAWL BAR GUIDE AC	6.28
190146	CLAMPING PIECES AC	6.28
190692	BUSH H370SM-3034-30	17.43
191148/R	BUSH KIT AC2	44.83
200872	O-RING 23X3,60	0.80
200873	GASKET 110,72X117,78X3,53	1.09
200877	GASKET OR 156 DI52.39 T3.53 NB	0.89
200979	GASKET	7.85
260331	SCREW M8X25 UNI5933 INOX	0.74
260505	STAINL.STEEL FLAT WASHER D8	1.32
323774	AC2 1011 MM GUIDE	70.56
324194	GUIDE SUPPORT AC2	44.28
332615	FLANGE	35.50
332665	ECCENTRIC FLANGE DRIVE SHAFT	69.36
342020	PIN	5.76
342154	RAIL SUPPORT AC2	17.03
342926	TRAINING SHAFT AC2	69.47
441143	DRIVE SHAFT 8X7X32	1.87
451002	COTTER PIN STAINL.ST. D2X12	0.12
510425	PAWL LOAD. AC/ACR	11.59
621041	COMPLETE RAIL AC2	126.46



12 - 2012 M. S.



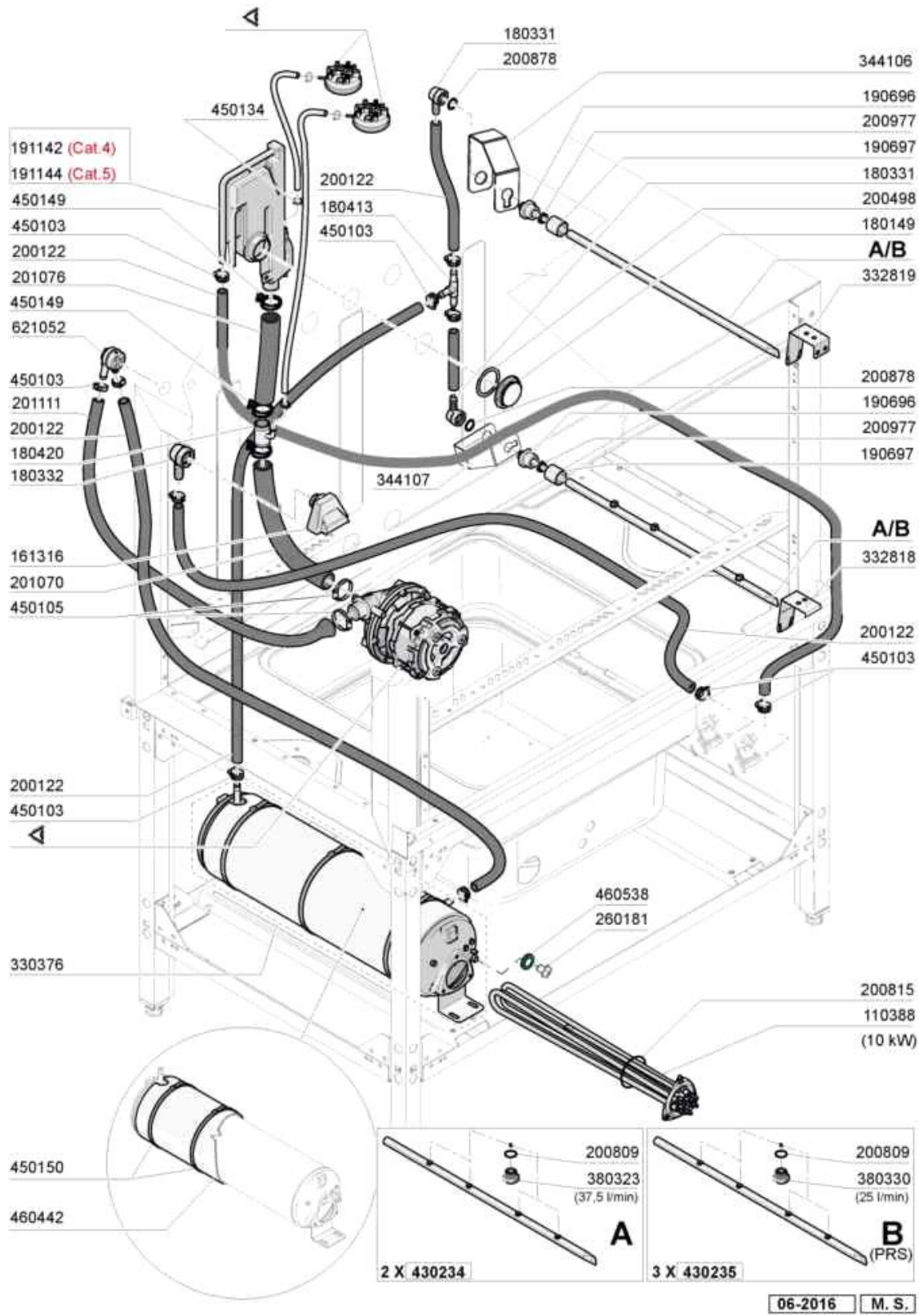
Code	Description	Price (EUR)
120342	DOOR MAGNETIC SWITCH	44.27
191019	MAGNET HOUSING S90 MOPL.-S.N.L	22.29
191123	RAIL	25.71
260133	SCREW 10X55	4.07
260407	STAINLESS STEEL NUTS D10 UNI 5	1.90
320698	LEVER FOR ECONOMIZER SE SNL	20.09
331455	BRACKET FOR RINSE MICROSWITCH	4.85
332820	BRACKET	15.81
341255	PIN FOR ECONOMIZER SE SNL	7.93
411001	PERMANENT MAGNET 8X40	6.74
450294		6.78



12 - 2012 M. S.

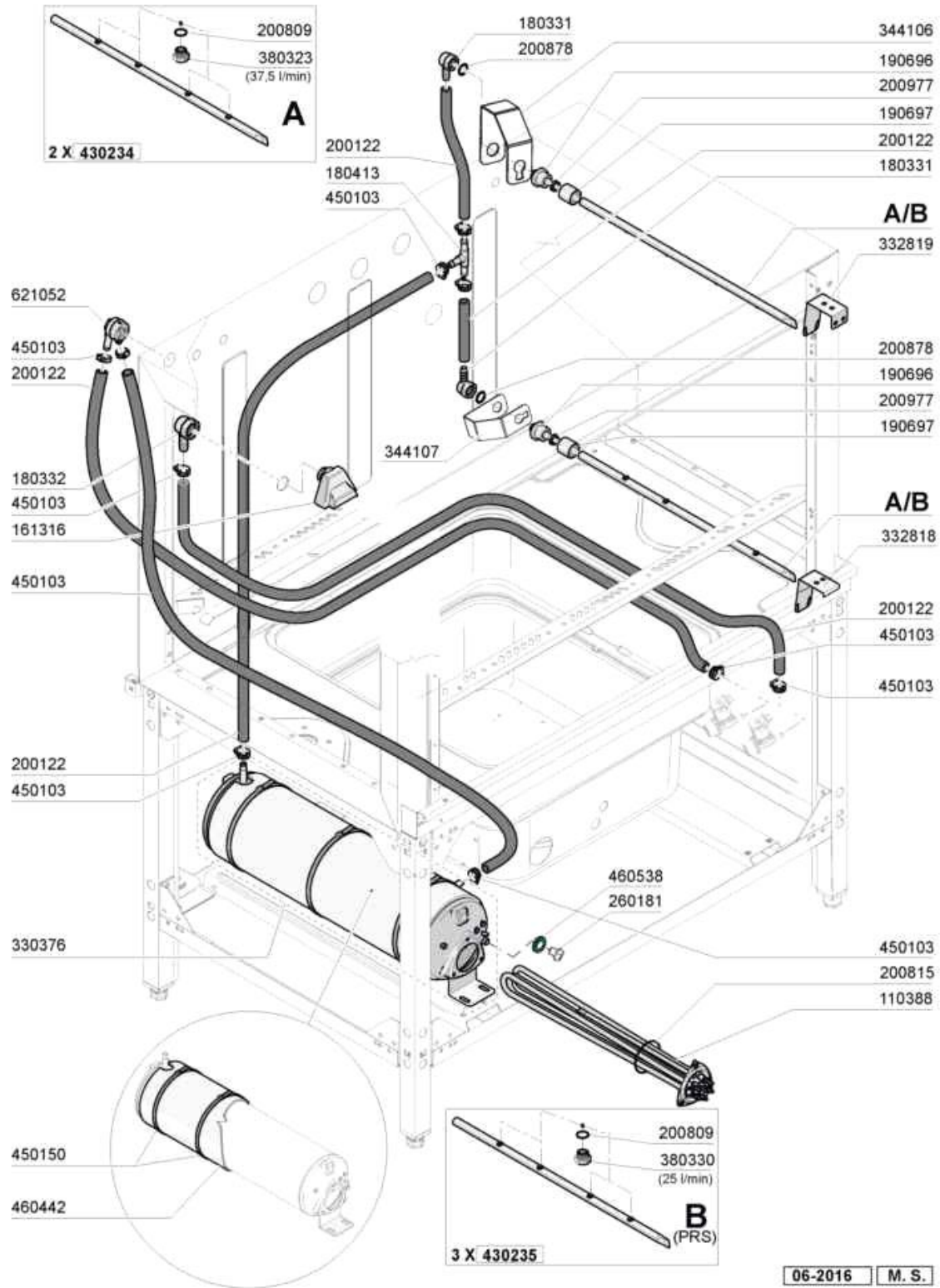
## Wash column

Code	Description	Price (EUR)
160704	BLACK PLUG WITH GASKET 1/2"GAK	5.41
160724	PLUG F. WASH ARM S90	5.09
161316	AIR TRAP	5.28
180108	PLASTIC NUT 1/2"	3.29
180332	NIPPEL 3/4"X12	14.60
190694	BUSH 1"1/4	4.38
190695	BUSH 1"3/4	4.79
200976	GASKET	19.37
200981	GASKET	1.96
201077	DELIVERY HOSE	70.73
201112	HOSE	43.61
324198	AC2-AC2P PUMP SUPPORT	25.82
333200	WASH COLUMN AC2	153.04
333201	WASH ARM	176.28
333202	RIGHT LOW.ARM-LEFT UPP.ARM AC2	176.33
342155	WASH ARM SUPPORT AC2	20.88
342156	LOWER WASH ARM SUPPORT	37.76
342157	UPPER WASH ARM SUPPORT AC2	37.33
450109	CLAMP 50-65	6.19



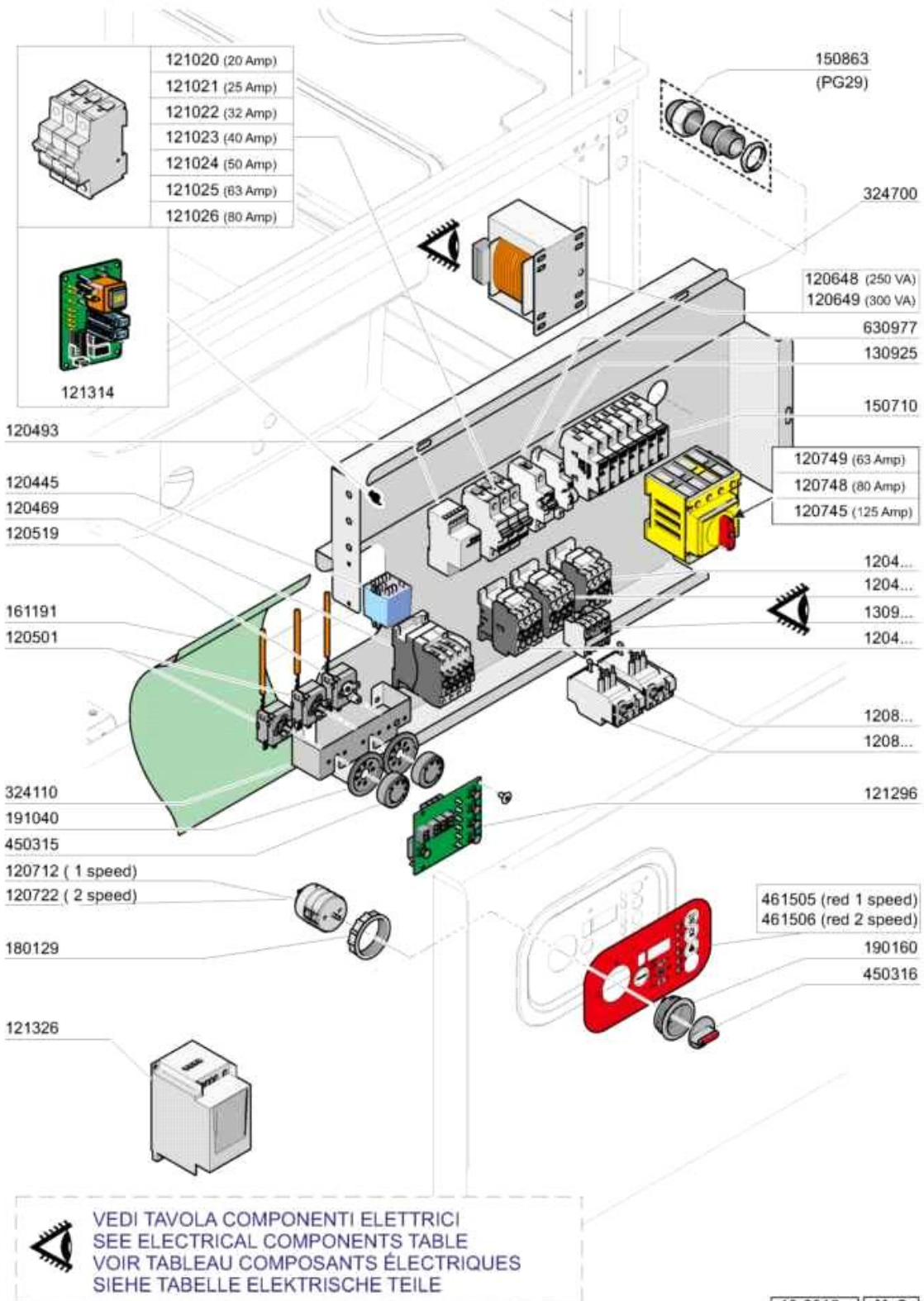
## Rinse RCD

Code	Description	Price (EUR)
110388	HEAT.ELEMENT 10000W 230/400V	127.58
161316	AIR TRAP	5.28
180149	PLASTIC NUT	2.67
180331	NIPPEL 3/8	13.79
180332	NIPPEL 3/4"X12	14.60
180413	TEE NIPPLE D.11,5 - RINSE ASSE	2.75
180420	TEE-NIPPLE	7.06
190696	BUSH 3/4"-1/2"	3.36
190697	BUSH 3/4"	4.32
191142	BREAK TANK AC2-AC3	24.05
200122	HOSE 11X19	12.34
200498	GASKET	1.98
200809	OR GASKET 1,78X8,73X12,29	4.98
200815	O-RING F. HEAT. ELEM.	1.90
200878	JOINT OR 123 DI17.86 T2.62 NBR	0.37
200977	GASKET	18.28
201070	HOSE	11.56
201076	HOSE	28.18
201111	HOSE	34.73
330376	BOILER D150	173.78
332818	BRACKET	19.13
332819	UPPER RINSE ARM BRACKET AC2	19.13
380323	RINSE JETS 37.5 80? OV 1/8	6.05
380330	RINSE JETS 25LT OV80-1/8" ST/	6.05
430234	RINSE ARM AC2	49.20
430235	RINSE ARM AC2 PRS	28.03
450103	CLAMP FE ZN. 13-20 H=9	2.78
450105	CLAMP FE ZN. 26-38 H=12,2	5.09
450134	ELASTIC HOSE CLIP D.9,3/8,8	0.17
450149	CLAMP D.34,6 X 36,4	0.94
450150	CLAMP 820X8.9	4.40
460442		19.71
621052	VACUUM BREAKER	16.54



## Rinse

Code	Description	Price (EUR)
110388	HEAT.ELEMENT 10000W 230/400V	127.58
161316	AIR TRAP	5.28
180331	NIPPEL 3/8	13.79
180332	NIPPEL 3/4"X12	14.60
180413	TEE NIPPLE D.11,5 - RINSE ASSE	2.75
190696	BUSH 3/4"-1/2"	3.36
190697	BUSH 3/4"	4.32
200122	HOSE 11X19	12.34
200809	OR GASKET 1,78X8,73X12,29	4.98
200815	O-RING F. HEAT. ELEM.	1.90
200878	JOINT OR 123 DI17.86 T2.62 NBR	0.37
200977	GASKET	18.28
330376	BOILER D150	173.78
332818	BRACKET	19.13
332819	UPPER RINSE ARM BRACKET AC2	19.13
380323	RINSE JETS 37.5 80? OV 1/8	6.05
380330	RINSE JETS 25LT OV80-1/8" ST/	6.05
430234	RINSE ARM AC2	49.20
430235	RINSE ARM AC2 PRS	28.03
450103	CLAMP FE ZN. 13-20 H=9	2.78
450150	CLAMP 820X8.9	4.40
460442		19.71
621052	VACUUM BREAKER	16.54

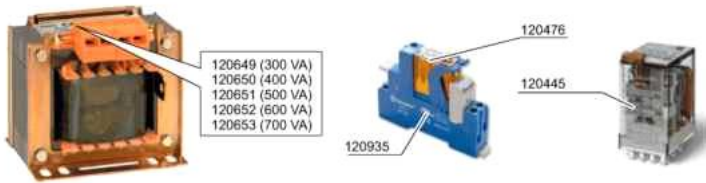


10-2015 M. S.



## Control Box

Code	Description	Price (EUR)
120445	AUXILIARY RELAY S.B2/3 24V	50.56
120469	CONTACTOR ABB 12A 24V 50/60HZ	58.29
120493	RELAY 130180240000	70.15
120501	THERMOSTAT 30/90°C	32.28
120519	SAFETY THERMOSTAT 95-125°	59.27
120648	TRANSFORMER 250VA225-240-380-4	100.15
120649	TRANSFORMER 300VA225-240-380-4	155.23
120712	2-POLES SWITCH 16AMP	17.57
120722	6 POLE SWITCH 2 POSITIONS	28.91
120745	MAIN SWITCH 4 POLE 125A	111.14
120748	MAINSWITCH 80A 4P	0.00
120749	MAINSWITCH 63A 4P	83.50
121020	CIRCUIT BREAKER 20A	101.97
121021	CIRCUIT BREAKER 25A	68.77
121022	CIRCUIT BREAKER 32A	72.79
121023	CIRCUIT BREAKER 40A	114.30
121024	CIRCUIT BREAKER 50A	155.62
121025	CIRCUIT BREAKER 63A	130.17
121026	MAGN.SWITCH 80A	381.29
121296	ELECTRONIC CONTROL PANEL	182.85
121314	PCB uniAPRS-104 24V	72.50
121326	INVERTER ATV12H018M2	376.12
130925	CONTACT FOR CIRCUIT BREAKER	34.55
150710	FUSE CARRIER 10,3X38 ART.21401	23.42
150863	CABLE HOLDER	6.37
161191	CONTROL BOX COVER	6.78
180129	NUT FOR MAIN SWITCH SUPPORT	2.33
190160	SUPPORT	19.86
191040	FRAME F. THERMOSTAT KNOB	1.78
324110	3 THERMOSTATS SUPPORT	11.85
324700	ELECTRONIC PANEL SUPPORT	33.03
450315	KNOB F. THERMOSTAT 90°	0.58
450316	CONTROL KNOB TWO COLOURS B-BT-	4.91
461505	RED PLATE AC2	38.73
461506	RED PLATE AC2 (2 SPEEDS)	38.88
630977	COIL FOR CIRCUIT BREAKER 24V	57.03



120649 (300 VA)  
120650 (400 VA)  
120651 (500 VA)  
120652 (600 VA)  
120653 (700 VA)

220/240 V			380/415 V	
kW	A	Fusibili Fusible Fuse Schmelzsicherung	A	Fusibili Fusible Fuse Schmelzsicherung
3	12	130246	8	130245
4	12	130246	8	130245
4.2	12	130246	8	130245
5	16	130247	12	130246
6	20	130248	12	130246
8	32	130237	16	130247
9	32	130237	16	130247
10	32	130237	20	130248
12.5	40	130238	25	130236
14	40	130238	25	130236
15	50	130257	32	130237
16	50	130257	32	130237
17	50	130257	32	130237
18	63	130239	32	130237
20	63	130239	40	130238
21	63	130239	40	130238
22	63	130239	40	130238
23	80	130240	40	130238
24	80	130240	50	130257
25	80	130240	50	130257
26	80	130240	50	130257
27	80	130240	50	130257
28	80	130240	50	130257
29	80	130240	50	130257
30	80	130240	50	130257

**CONTACTOR / CONTACTEURS / SCHÜTZEN / CONTATTORI (24V)**

AF contactor

- 120468V01 CONTATTORE ABB AF09 9A 24VAC
- 120469V01 CONTATTORE ABB AF12 12A 24VAC
- 120470V01 CONTATTORE ABB AF15 15A 24VAC
- 120471V01 CONTATTORE ABB AF26 26A 24VAC
- 120472V01 CONTATTORE ABB AF30 30A 24VAC
- 120473V01 CONTATTORE ABB AF38 38A 24VAC
- 120474V01 CONTATTORE ABB AF52 52A 24VAC
- 120475V01 CONTATTORE ABB AF65 65A 24VAC

**CONTACTS / CONTACTS / HILFSKONTAKTEN / CONTATTI AUX E TEMPORIZZATI**

- 130925V01 CONTATTO AUX MIT ABB 5800-AUX
- 130926V01 CONTATTO AUX ABB JNO CA410
- 130927V01 CONTATTO AUX ABB JNC CA401
- 130928V01 CONTATTO ABB CA40E AND
- 130929V01 CONT ABB TEMP JNC/NO TEF4-ON
- 130930V01 CONT ABB TEMPTF5-OFF
- 130931V01 CONT ABB TEMP JNO/NC TEF4-ON
- 130933V01 CONT AUX ABB LAT JNO/NC CAL413
- 130934V01 CONT AUX ABB LAT JNO/NC HK2-13

**OVERLOAD RELAYS / RELAIS THERMIQUES/THERMOAUSLÖSER / TERMICHE**

- 120857V01 RELE TERM. ABB T142 0.35-0.5A
- 120857V02 RELE TERM. ABB T142 0.31-0.41A
- 120858V01 RELE TERM. ABB T142 0.41-0.51A
- 120858V02 RELE TERM. ABB T142 0.35-0.7A
- 120859V01 RELE TERM. ABB T142 0.74-1A
- 120860V01 RELE TERM. ABB T142 1.0-1.5A
- 120861V01 RELE TERM. ABB T142 1.5-1.7A
- 120862V01 RELE TERM. ABB T142 1.7-2.5A
- 120862V02 RELE TERM. ABB T142 2.3-3.1A
- 120863V01 RELE TERM. ABB T142 3.1-4.2A
- 120864V01 RELE TERM. ABB T142 4.2-5.7A
- 120865V01 RELE TERM. ABB T142 5.7-7.6A
- 120866V01 RELE TERM. ABB T142 7.6-10A
- 120867V01 RELE TERM. ABB T142 10-13A
- 120868V01 RELE TERM. ABB T142 16-20A

**CIRCUIT BREAKERS / INTERUPTEUR MAGNETOTHERMIQUE / MAGNETOTHERMISCHE SCHALTER / SALVAMOTORI**

M5116...

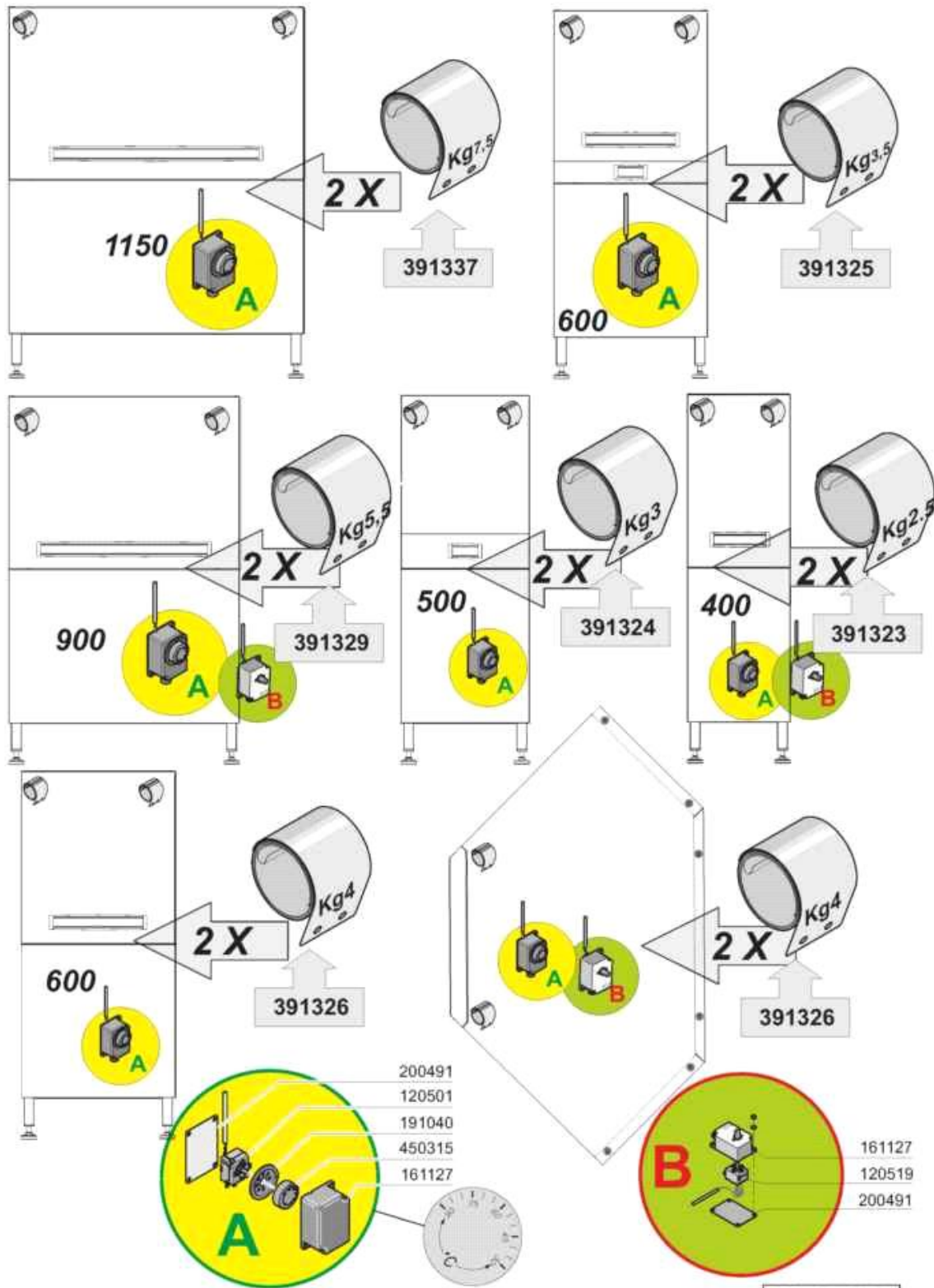
- 121027V01 SALVAMOT ABB M5116 0.25-0.4A
- 121028V01 SALVAMOT ABB M5116 0.40-0.63A
- 121029V01 SALVAMOT ABB M5116 0.63-1.0A
- 121030V01 SALVAMOT ABB M5116 1.0-1.6A
- 121031V01 SALVAMOT ABB M5116 1.6-2.5A
- 121032V01 SALVAMOT ABB M5116 2.5-4.0A
- 121033V01 SALVAMOT ABB M5116 4.0-6.3A
- 121034V01 SALVAMOT ABB M5116 6.3-10A
- 121035V01 SALVAMOT ABB M5116 8.0-12A
- 121036V01 SALVAMOT ABB M5116 10-16A
- 121037V01 SALVAMOT ABB M5116 16-20A
- 121038V01 SALVAMOT ABB M5116 20-25A

## ELECTRIC COMPONENTS

Code	Description	Price (EUR)
120445	AUXILIARY RELAY S.B2/3 24V	50.56
120468V01	CONTACTOR ABB AF09 9A 24VAC	36.05
120469V01	CONTACTOR ABB AF12 12A 24VAC	37.90
120470V01	CONTACTOR ABB AF16 18A 24VAC	38.07
120471V01	CONTACTOR ABB AF26 26A 24VAC	58.73
120472V01	CONTACTOR ABB AF30 32A 24VAC	85.68
120473V01	CONTACTOR ABB AF38 38A 24VAC	113.18
120474V01	CONTACTOR ABB AF52 53A 24VAC	185.70
120475V01	CONTACTOR ABB AF65 65A 24VAC	224.83
120476	RELAY 16A 24V	18.23
120649	TRANSFORMER 300VA225-240-380-4	155.23
120650	TRANSFORMER 400VA225-240-380-4	146.44
120651	TRANSFORMER 500VA225-240-380-4	316.84
120652	TRANSFORMER 600VA225/415-24/24	310.96
120653	TRANSFORMER 700VA 240-415/24	0.00
120857V01	OVERLOAD RELAY ABB 0,23-0,31A	36.03
120857V02	OVERLOAD RELAY ABB 0,31-0,41A	36.03
120858V01	OVERLOAD RELAY ABB 0,41-0,55A	36.03
120858V02	OVERL. REL. ABBTF42 0,55-0,74A	36.12
120859V01	OVERL. RELAY ABBTF42 0,74-1,0A	36.12
120860V01	OVERLOAD RELAY ABB 1,0-1,3A	36.03
120861V01	OVERLOAD RELAY ABB 1,3-1,7A	36.03
120862V01	OVERLOAD RELAY ABB 1,7-2,3A	36.03
120862V02	OVERLOAD RELAY TF42 2,3-3,1A	0.00
120863V01	OVERL.RELAY ABB TF42 3,1-4,2 A	36.08
120864V01	OVERLOAD RELAY ABB 4,2-5,7A	36.03
120865V01	OVERLOAD RELAY ABB 5,7-7,6A	36.03
120866V01	OVERLOAD RELAY ABB 7,6-10A	36.03
120867V01	OVERLOAD RELAY ABB 10-13A	36.03
120868V01	OVERLOAD RELAY ABB 16-20A	39.78
120935	SUPPORT	25.12
121027V01	CIRCUIT BREAKER 0,25-0,4A	64.84
121028V01	CIRCUIT BREAKER 0,40-0,63A	70.63
121029V01	CIRCUIT BREAKER 0,63-1,0A	69.74
121030V01	CIRCUIT BREAKER 1,0-1,6A	69.93
121031V01	CIRCUIT BREAKER 1,6-2,5A	70.02
121032V01	CIRCUIT BREAKER 2,5-4,0A	69.70
121033V01	CIRCUIT BREAKER 4,0-6,3A	70.00
121034V01	CIRCUIT BREAKER 6,3-10A	70.78
121035V01	CIRCUIT BREAKER 8,0-12A	73.34
121036V01	CIRCUIT BREAKER 10-16A	81.60
121037V01	CIRCUIT BREAKER 16-20A	93.84
121038V01	CIRCUIT BREAKER 20-25A	107.67
130236	FUSE 14X51 25A GF14325	9.60
130237	FUSE 14X51 32A GL14332	10.15

## ELECTRIC COMPONENTS


Code	Description	Price (EUR)
130238	FUSE 14X51 40A GF 14340	11.49
130239	FUSE 22X58 63A GF15363	17.56
130240	FUSE 22X58 80A GF15380	16.78
130245	FUSE 10.3X38 8A GF13308	6.19
130246	FUSE 10.3X38 12A GF13312	6.51
130247	FUSE 10.3X38 16A GF13316	6.63
130248	FUSE 20A-10,3X38 13320 G.F.	6.63
130257	FUSE 50A 14X51 GF14350	11.49
130925V01	CONTACT ABB S800-AUX	27.94
130926V01	CONTACT ABB 1NO CA410	8.33
130927V01	CONTACT ABB 1NC CA401	8.33
130928V01	CONTACT ABB CA440E 4NO	23.89
130929V01	CONTACT ABB 1NO/NC TEF4-OFF	76.25
130930V01	CONTACT ABB TEMP.TEF5-OFF	76.25
130931V01	CONTACT ABB 1NO/NC TEF4-ON	60.21
130933V01	SUPPL. CONTACT ABB LAT.CAL411	14.82
130934V01	AUXILIARY CONTACTS ABB HK1-11	16.58



MS 04-2014

## Springs-Thermostat

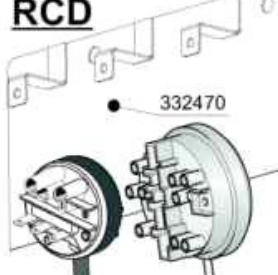
Code	Description	Price (EUR)
120501	THERMOSTAT 30/90°C	32.28
120519	SAFETY THERMOSTAT 95-125°C	59.27
161127	BOX FOR THERMOSTAT	6.63
191040	FRAME F. THERMOSTAT KNOB	1.78
200491	BACK GASKET OF THERMOSTAT BOX	2.91
391323	SPRING KG 2.5	57.43
391324	SPRING KG 3	48.92
391325	SPRING KG 3.5	55.68
391326	DOOR SPRING KG 4.0	57.97
391329	SPRING KG 5.5	54.05
391337	SPRING KG 8	59.84
450315	KNOB F. THERMOSTAT 90°C	0.58



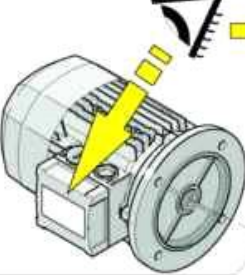
**130620**  
1" LIV (145-80)  
2" LIV (150-30)  
3" LIV (150-30)

- 1150 LINEAR
- 1150 CORNER
- 500
- 600
- 900
- DHM


**RCD**



332470

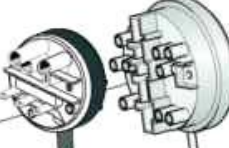


**100133 Standard**  
(0.18 kW 6-6P)  
100131 (0.18 kW 4-6 P)  
100135 (0.18 kW 4 P)

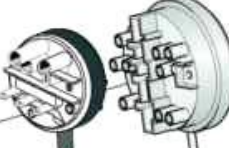


**130629**  
(2B-12)

- ECORINSE
- MULTIRINSE (X2)

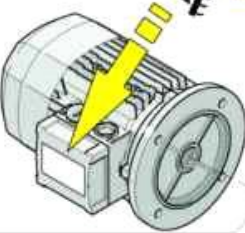


**130605**  
(45-30)  
**SL13a**



**130628**  
1" LIV (110-70)  
2" LIV (150-30)  
3" LIV (150-30)


- SL13b**
- SL13c**

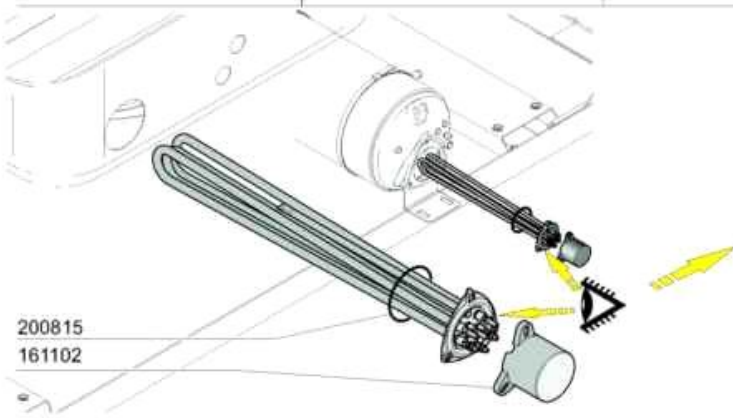


**410607 Standard**  
(VF49L1F1-60P71B5B3)

**410608**  
(VF49L1F1-45P71B5B3)

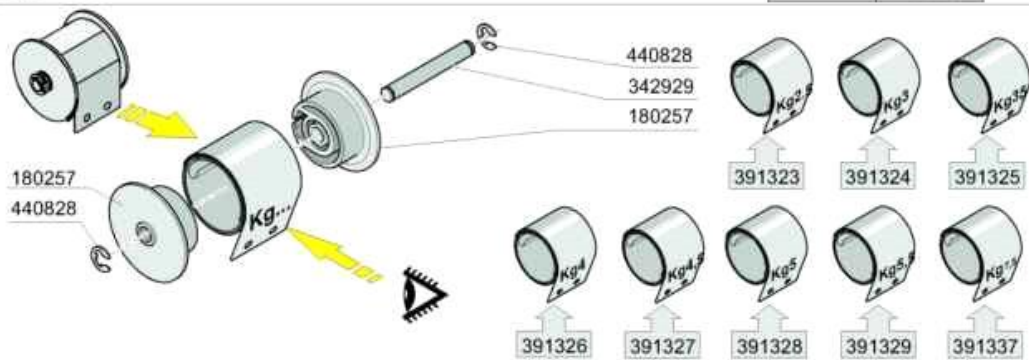
**410609**  
(VF49L1F1-36P71B5B3)





200815  
161102

4,2 kW	110331
5 kW	110371
6 kW	110349
7 kW	113500
8 kW	110343
9 kW	110362
10 kW	110388
11 kW	113501
12 Kw	113502
12,5 Kw	110367



180257  
440828

440828  
342929  
180257

391323 Kg2  
391324 Kg3  
391325 Kg3.5

391326 Kg4  
391327 Kg4.5  
391328 Kg5  
391329 Kg5.5  
391337 Kg6

11 - 2013 M. S.

## Accessories

Code	Description	Price (EUR)
100131	DRIVE MOTOR 4/6P 400V	555.30
100133	MOTOR 0.18KW 6-8POLI400V/3/50	608.15
100135	MOTOR 4P 0.18KW 230/400/50/3	306.51
110331	HEAT.ELEMENT 4200W 230/400V	98.34
110343	HEAT.ELEM. 8000W 220/380V	129.08
110349	HEAT.ELEMENT 6000W 230/400V	69.10
110362	HEAT.ELEMENT 9000W 220/380V	129.22
110367	HEAT.ELEMENT 12500W 230/400V	158.21
110371	HEAT.ELEMENT 5000W 220/380V	65.02
110388	HEAT.ELEMENT 10000W 230/400V	127.58
113500	7000W HEATING ELEMENT	65.31
113501	HEAT. ELEMENT 11KW 230/400V	79.80
113502	HEATING ELEMENT 12000W.230/400	79.80
130605	PRESSURE SWITCH 50-30 1 LEVEL	26.73
130620	PRESSURE SWITCH 3 LEVEL 50-30/	43.92
130628	PRESSURE SWITCH	45.47
130629	PRESSURE SWITCH 1L30-12	28.07
161102	ELEMENT COVER MOPL. H50 (HIGH)	4.52
180257	DOOR SPRING SIDE FLANGE	1.96
200815	O-RING F. HEAT. ELEM.	1.90
332470	PRESSURE SWITCH SUPPORT	11.12
342929	DOOR SPRINGS PIN	10.07
391323	SPRING KG 2.5	57.43
391324	SPRING KG 3	48.92
391325	SPRING KG 3.5	55.68
391326	DOOR SPRING KG 4.0	57.97
391327	SPRING KG 4,5	57.43
391328	SPRING KG 5	54.05
391329	SPRING KG 5.5	54.05
391337	SPRING KG 8	59.84
410607	REDUCER VF49L1F1-60P71B5B3	530.31
410608	REDUCER VF49L1F1-45P71B5B3	519.91
410609	REDUCER .VF49L1F1-36P71B5B3	519.91
440828	RING BENZING 7 DIN6799 INOX	0.79



630541

632507 (50 Hz-75mm)  
632508 (60 Hz-67mm)

630433

630149

631202  
(16  $\mu$ F)

630264 \*

630335 \*

2

3

1

4

COD.	1	2	3 50hz	3 60hz	4	5
100902 *	630137	630546	631717	631722	630426	631202
100912	630151	630547	631719	631727	630435	631207
100913 *	630152	630547	631720	630421	630435	631220
100914 *	630150	630546	631718	631726	630426	---
100920	630137	630546	631717	630422	630426	631202
100930	630137	630546	631717	630422	630426	631202

16 - 2016 | M. S.

## Pumps spare parts

Code	Description	Price (EUR)
100902	PUMP 0,85KW ZF522DX 230/50/1	204.35
100912	PUMP 0.6KW ZF210APSX 230/50/1	218.95
100913	PUMP 0.6KW ZF210V 230/50/1	213.59
100914	PUMP 1,24KW 230-400V/3/50HZ	313.25
100920	PUMP 0,85KW ZF522DX 230V/1/50	191.12
100930	PUMP 0,85KW ZF522DX 230/1/50	0.00
630137	PUMP VOLUTE LGB ZF800DX	26.25
630149	PUMP VOLUTE	50.10
630150	PUMP VOLUTE	40.08
630151	PUMP VOLUTE	23.28
630152	PUMP VOLUTE	33.91
630421	GASKET LGB 0,30 HP	0.00
630422	JOINT LOWARA 0,9KW	24.86
630426	GASKET LGB ZF800	3.61
630433	GASKET FOR PUMP 100827	13.35
630435	PUMP GASKET	2.11
630541	SEAL FOR PUMP 100827	12.69
630546	SEAL FOR PUMP	14.31
630547	SEAL FOR PUMP	14.31
631202	CONDENSER 16 MF 450V	10.89
631207	CONDENSER 12,5MF. 450V 85C	9.57
631220	CONDENSER 14 MF	18.43
631717	PUMP IMPELLER	38.41
631718	PUMP GASKET	34.80
631719	PUMP IMPELLER	38.41
631720	PUMP IMPELLER	20.70
631722	IMPELLER ZF522 -----60hZ	0.00
632507	PUMP IMPELLER	31.00
632508	PUMP IMPELLER D.67	31.00

**1150 AC2**

**100902**  
230/1/50hz (kW 0,85)

**100902V01**  
230/1/60hz (kW 0,85)

---

**100902V02**  
440/3/60hz (kW 0,85) INOX

**100902V03**  
400/3/50hz (kW 0,85) INOX

**100902V04**  
230/1/50hz (kW 0,85) INOX

**100902V05**  
400/3/60hz (kW 0,85) INOX

**100914**  
230-400/3/50hz (kW 1,24)

**100914V01**  
230-400/3/60hz (kW 1,24)

**100914V02**  
230-400/3/50hz (kW 1,24) INOX

**100914V03**  
440/480/3/60hz (kW 1,24)

**AC2A**

**1150 (AC2E...-AC3)**

**100914**  
230-400/3/50hz (kW 1,24)

---

**100914V01**  
230-400/3/60hz (kW 1,24)

**100914V02**  
230-400/3/50hz (kW 1,24) INOX

**100914V03**  
440/480/3/60hz (kW 1,24) INOX

**900**

**100914**  
230-400/3/50hz (kW 1,24)

---

**100914V01**  
230-400/3/60hz (kW 1,24)

**100914V02**  
230-400/3/50hz (kW 1,24) INOX

**100914V03**  
440/480/3/60hz (kW 1,24) INOX

**900 MR**

---

**100910**  
230/1/50hz (kW 0,48)

**100910V01**  
230/1/60hz (kW 0,48)

**PWS**

RIGHT ← LEFT

**100920**  
230/1/50hz (kW 0,85)

**100920V01**  
230/1/60hz (kW 0,85)

**100920V02**  
440/3/60hz (kW 0,85)

**100920V03**  
400/3/50hz (kW 0,85)

**100920V04**  
230/1/50hz (kW 0,85) INOX

**100920V05**  
400/3/60hz (kW 0,85)

**100930**  
230/1/50hz (kW 0,85)

**100930V01**  
230/1/60hz (kW 0,85)

**100930V02**  
440/3/60hz (kW 0,85)

**100930V03**  
400/3/50hz (kW 0,85)

**100930V04**  
230/1/50hz (kW 0,85) INOX

**100930V05**  
400/3/60hz (kW 0,85)

**600/DHM**

**500**

**400**

**100913**  
230/1/50hz (kW 0,99)

**100913V01**  
230/1/60hz (kW 0,99)

**100913V02**  
440/1/60hz (kW 0,99)

**100913V03**  
400/3/50hz (kW 0,99)

**100913V04**  
230/1/50hz (kW 0,99) INOX

**100913V05**  
400/3/60hz (kW 0,99)

**100913V06**  
480/3/60hz (kW 0,99)

**100910**  
230/1/50hz (kW 0,48)

**100910V01**  
230/1/60hz (kW 0,48)

**MS 09-2016**

**RCD**

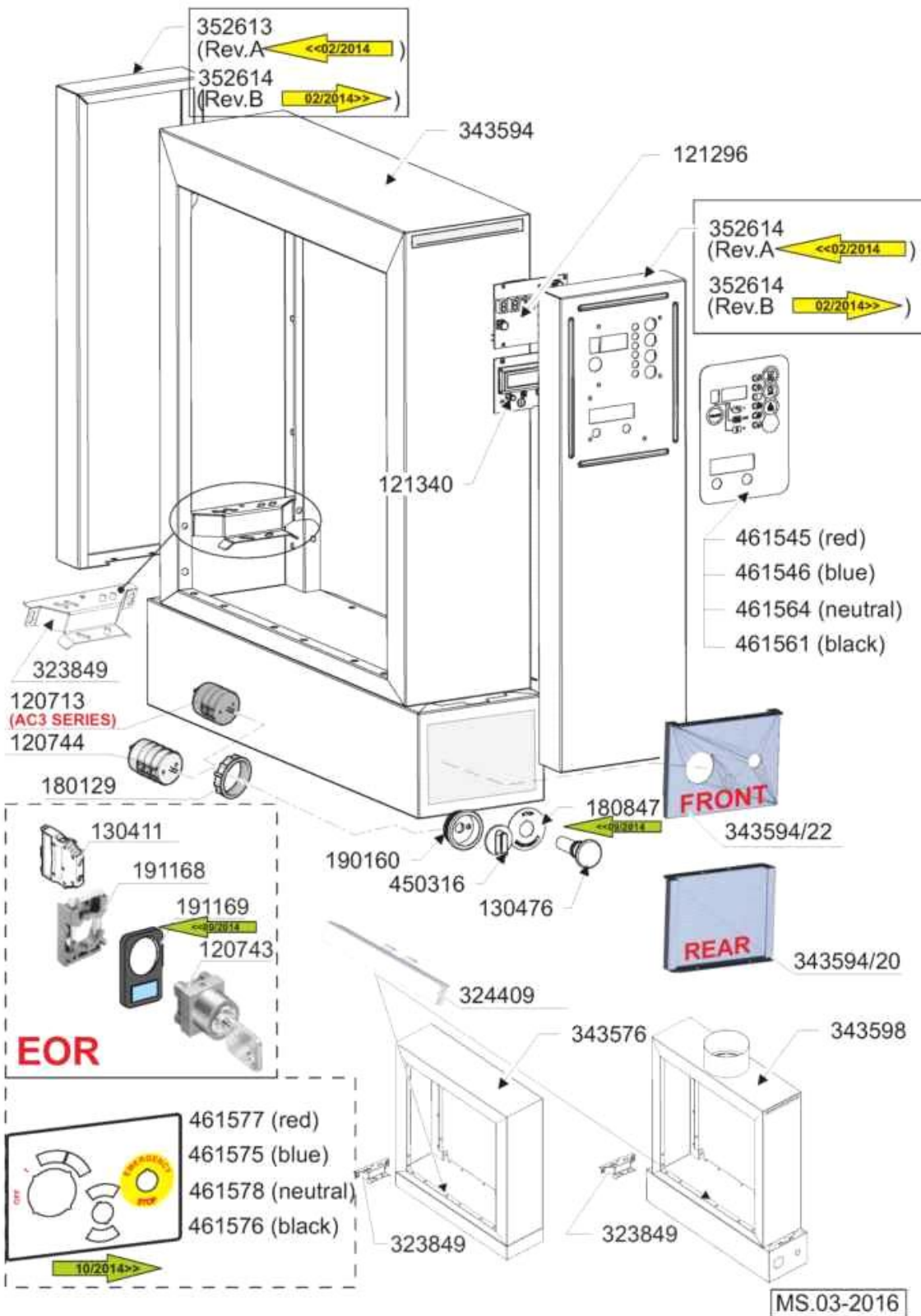
**100912**  
230/1/50hz (kW 0,52)

**100912V01**  
230/1/60hz (kW 0,52)

**100912V03**  
400/3/50hz (kW 0,52)

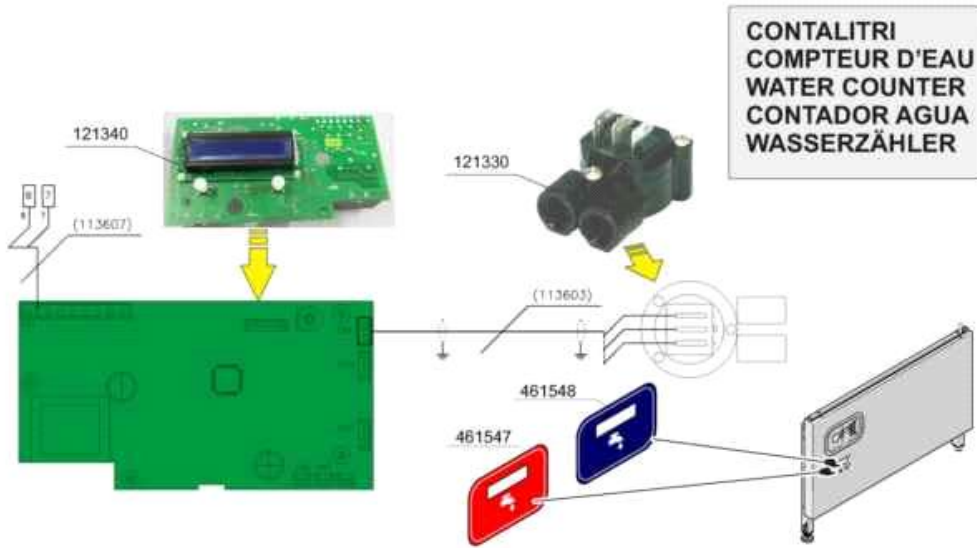
## Pump

Code	Description	Price (EUR)
100902	PUMP 0,85KW ZF522DX 230/50/1	204.35
100902V01	PUMP 0,85kW ZF522DX 230V/1/60	242.00
100902V02	PUMP 0,85 kW ZF522DX 440V/3/60	274.27
100902V03	PUMP 0,85KW ZF522DX 400V/3/50	255.68
100902V04	PUMP 0,85kW ZF522AIDX 230/50	0.00
100902V05	PUMP 0,85KW ZF522DX 400V/3/60	0.00
100910	PUMP 0.48KW 230/50/1	205.22
100910V01	PUMP 0.48KW 230/60/1	219.56
100912	PUMP 0.6KW ZF210APSX 230/50/1	218.95
100912V01	PUMP 0.5KW ZF210APSX 230/60/1	0.00
100912V03	PUMP 0.5kW ZF210APSX 400/3/50	0.00
100913	PUMP 0.6KW ZF210V 230/50/1	213.59
100913V01	PUMP 0.99 KW ZF210V 230V/1/60	220.94
100913V02		251.94
100913V03	PUMP 0.99kW ZF210V 400V/3/50	245.00
100913V04	PUMP 0.99kW 230V/1/50Hz INOX	0.00
100913V05	PUMP 0.99kW ZF210V 400V/3/60	0.00
100913V06	PUMP 0.99kW ZF210V 480V/3/60	0.00
100914	PUMP 1,24KW 230-400V/3/50HZ	313.25
100914V01	PUMP 1.24kW 230-400V/3/60Hz	338.64
100914V02	PUMP 1.24kW230-400V/3/50 INOX	0.00
100914V03	PUMP 1.24kWZF650 440-480/3/60	0.00
100920	PUMP 0,85KW ZF522DX 230V/1/50	191.12
100920V01	PUMP 0,85KW ZF522DX 230/1/60	0.00
100920V02	PUMP 0,85KW ZF522DX 440/3/60	0.00
100920V03	PUMP 0,85KW ZF522DX 400/3/50	0.00
100920V04	PUMP 0,85KW ZF522AIDX 230/50	0.00
100920V05	PUMP 0,85KW ZF522DX 400/3/60	0.00
100930	PUMP 0,85KW ZF522DX 230/1/50	0.00
100930V01	PUMP 0,85KW ZF522DX 230/1/60	0.00
100930V02	PUMP 0,85KW ZF522DX 440/3/60	0.00
100930V03	PUMP 0,85KW ZF522DX 400/3/50	0.00
100930V04	PUMP 0,85kW ZF522AIDX 230/50	0.00
100930V05	PUMP 0,85KW ZF522DX 400V/3/60	0.00

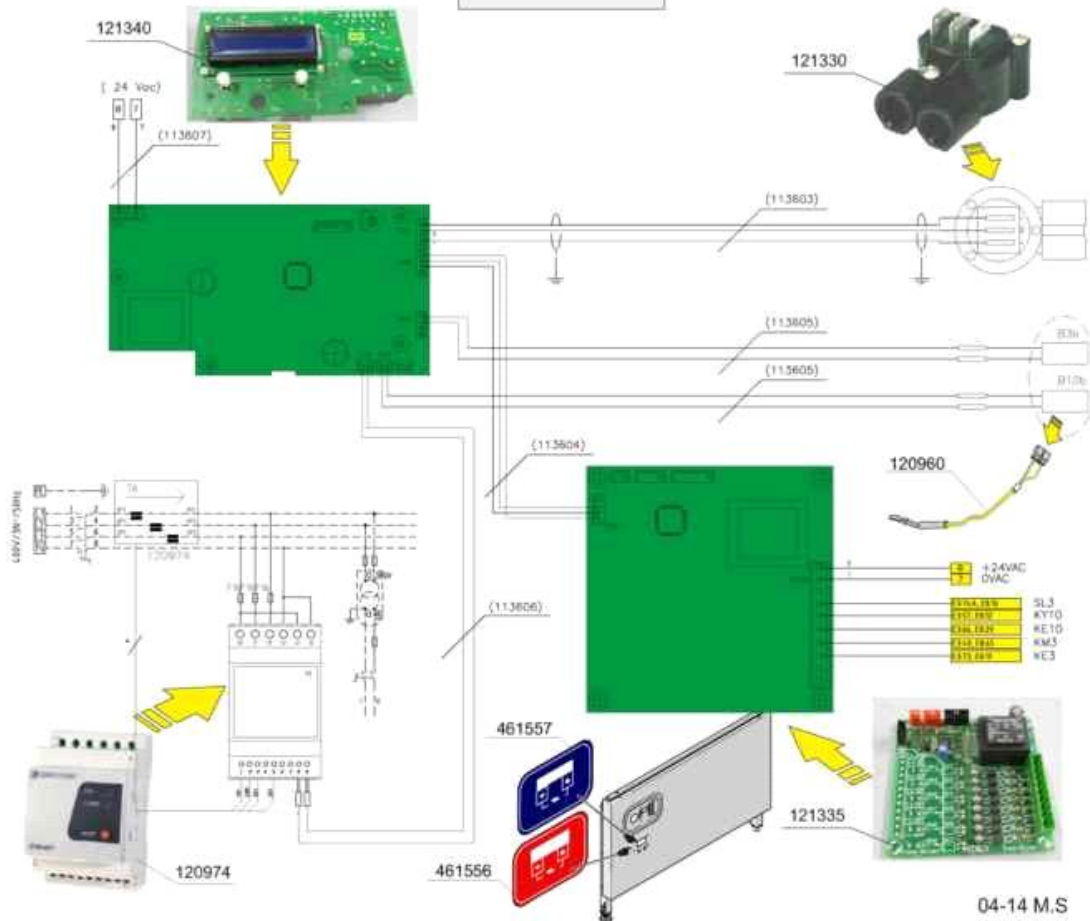


## Hood 200mm

Code	Description	Price (EUR)
120713	SWITCH 15 AMP FIVE-POLE 361552	32.27
120743		52.02
120744	SWITCH QUADRIPOL.16A 380V	20.88
121296	ELECTRONIC CONTROL PANEL	182.85
121340	WATER COUNTER PCB	126.51
130411	START CONTACT YELLOW	18.52
130476	ROTATIVE EMERGENCY SWITCH	43.60
180129	NUT FOR MAIN SWITCH SUPPORT	2.33
180847	NAME EMERGENCY-STOP	9.99
190160	SUPPORT	19.86
191168	SUPPORT	2.88
191169	SUPPORT	2.79
323849	RACK GUIDE	35.43
343576	HOOD	491.29
343594	HOOD	606.64
343594/20	BACK LOWER PANEL	43.29
343594/22	FRONT LOWER PANEL	43.18
343598	HOOD	0.00
352613	BACK PANEL	127.47
352614	FRONT PANEL	166.95
450316	CONTROL KNOB TWO COLOURS B-BT-	4.91
461545	RED PLATE AC2 TECH	39.66
461546	BLUE PLATE AC2	39.66
461561	BLACK PLATE AC3	42.69
461564		38.88



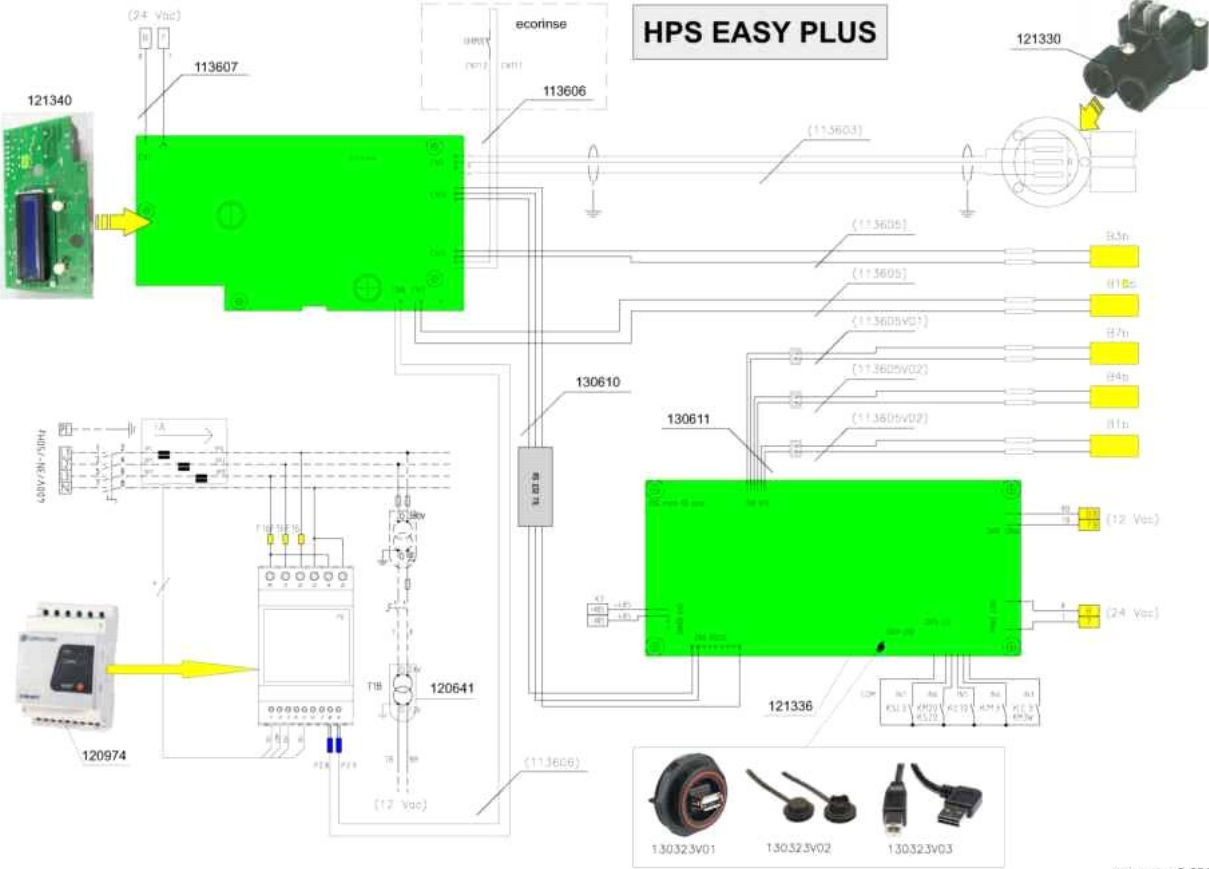
**HPS EASY**



## Water counter/HPS EASY

Code	Description	Price (EUR)
113603	CABLE L=4000 mm	36.05
113604	CABLE HPS EASY/RS232	17.08
113605	CABLE HPS EASY/PROBES NTC	14.47
113606	CABLE HPS EASY/ENERGY COUNTER	8.75
113607	CABLE HPS EASY/WATER COUNTER	5.73
120960	PROBE C-G	28.99
120974	ENERGY COUNTER	568.56
121330	FLUXMETER 1/4"G 300L/H	35.79
121335	PCB 24VAC HPS EASY	114.48
121340	WATER COUNTER PCB	126.51
461547	RED PLATE	42.99
461548	BLUE PLATE	42.99
461556	HPS EASY RED PLATE	23.97
461557	BLUE PLATE HPS EASY	23.97

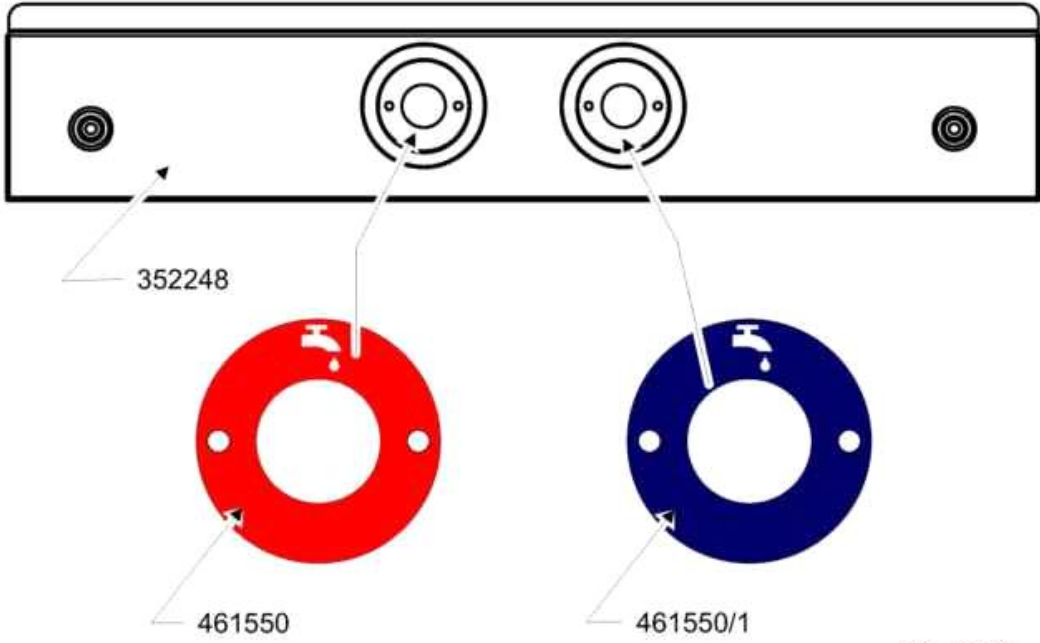
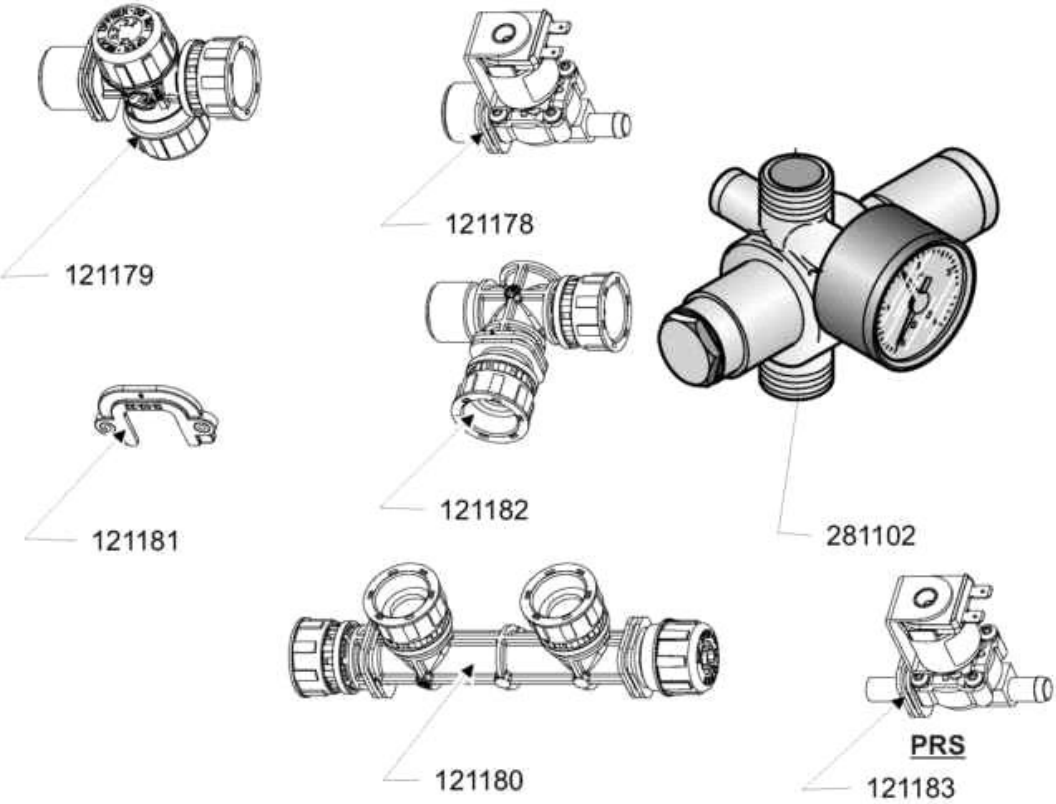




W. Sordani 8-2015

## HPS EASY PLUS

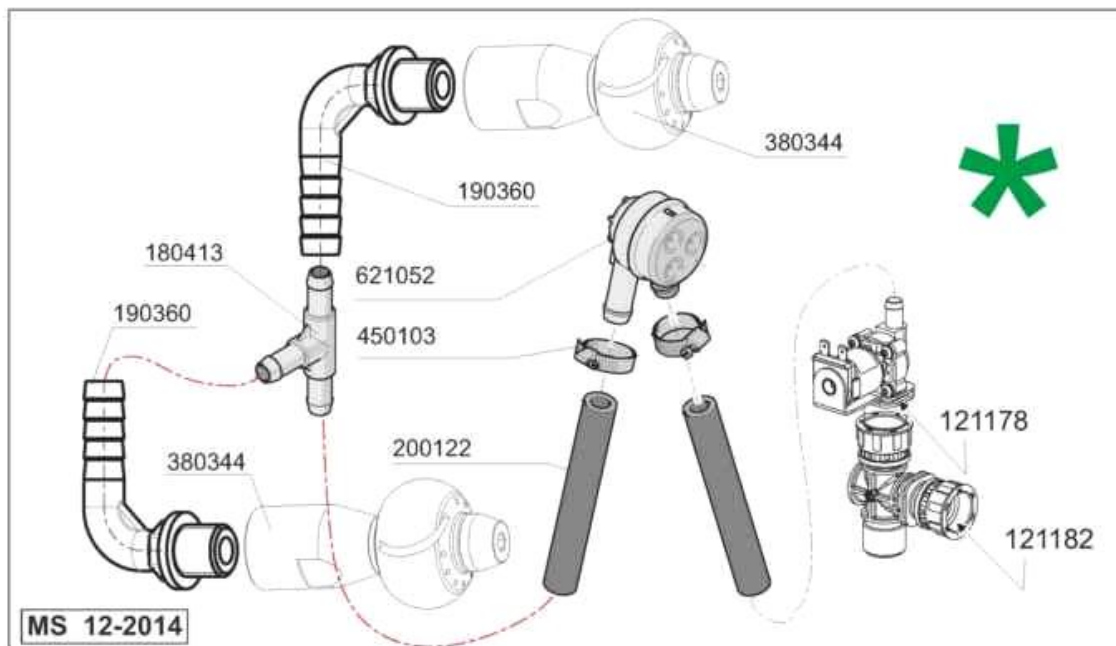
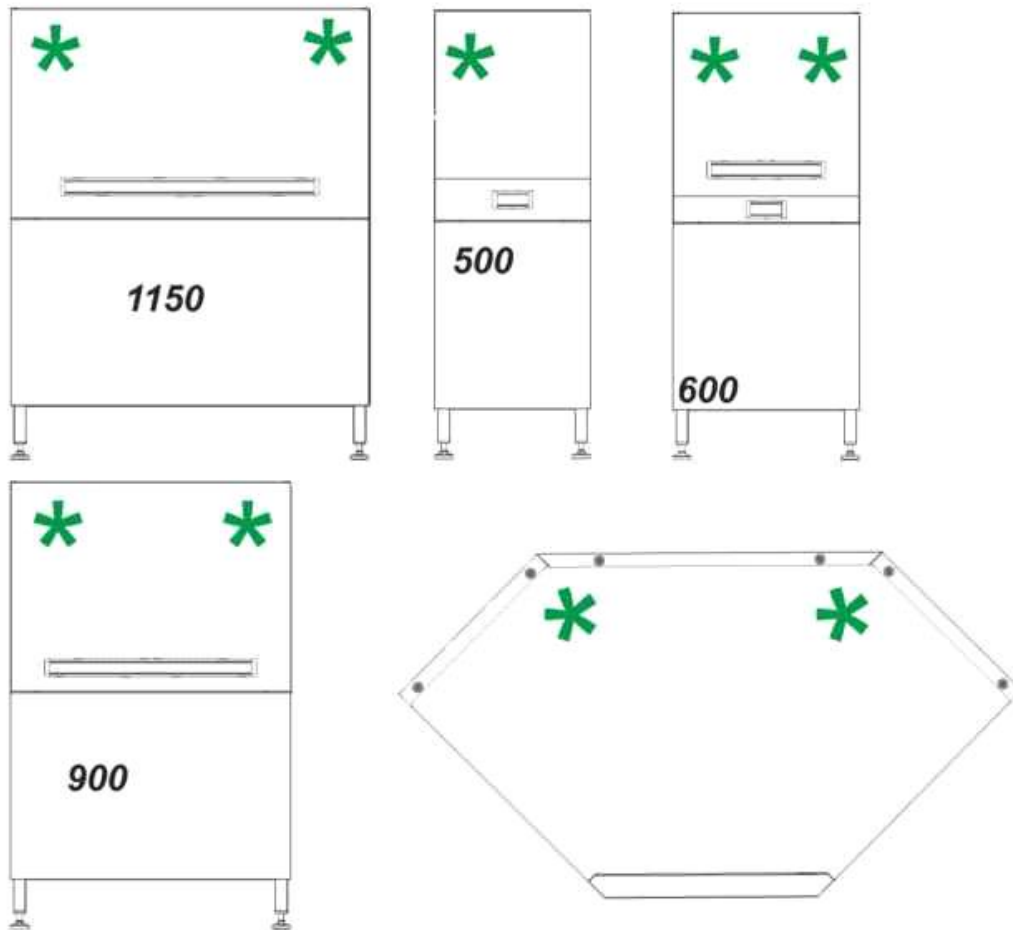
Code	Description	Price (EUR)
113603	CABLE L=4000 mm	36.05
113605	CABLE HPS EASY/PROBES NTC	14.47
113605V01	CABLE HPS EASY/SONDE NTC L=11m	0.00
113605V02	CABLE HPS EASY/SONDE NTC L=5m	0.00
113606	CABLE HPS EASY/ENERGY COUNTER	8.75
113607	CABLE HPS EASY/WATER COUNTER	5.73
120641	SAFETY TRANSFORMER 30VA	61.16
120974	ENERGY COUNTER	568.56
121330	FLUXMETER 1/4"G 300L/H	35.79
121336	PCB DWCORE HPS EASY PLUS	0.00
121340	WATER COUNTER PCB	126.51
130610	PRESSURE SWITCH 1 LEVEL 110-85	0.00
130611	PRESSURE SWITCH FOR GLASSWASHE	0.00



MS. 12-12

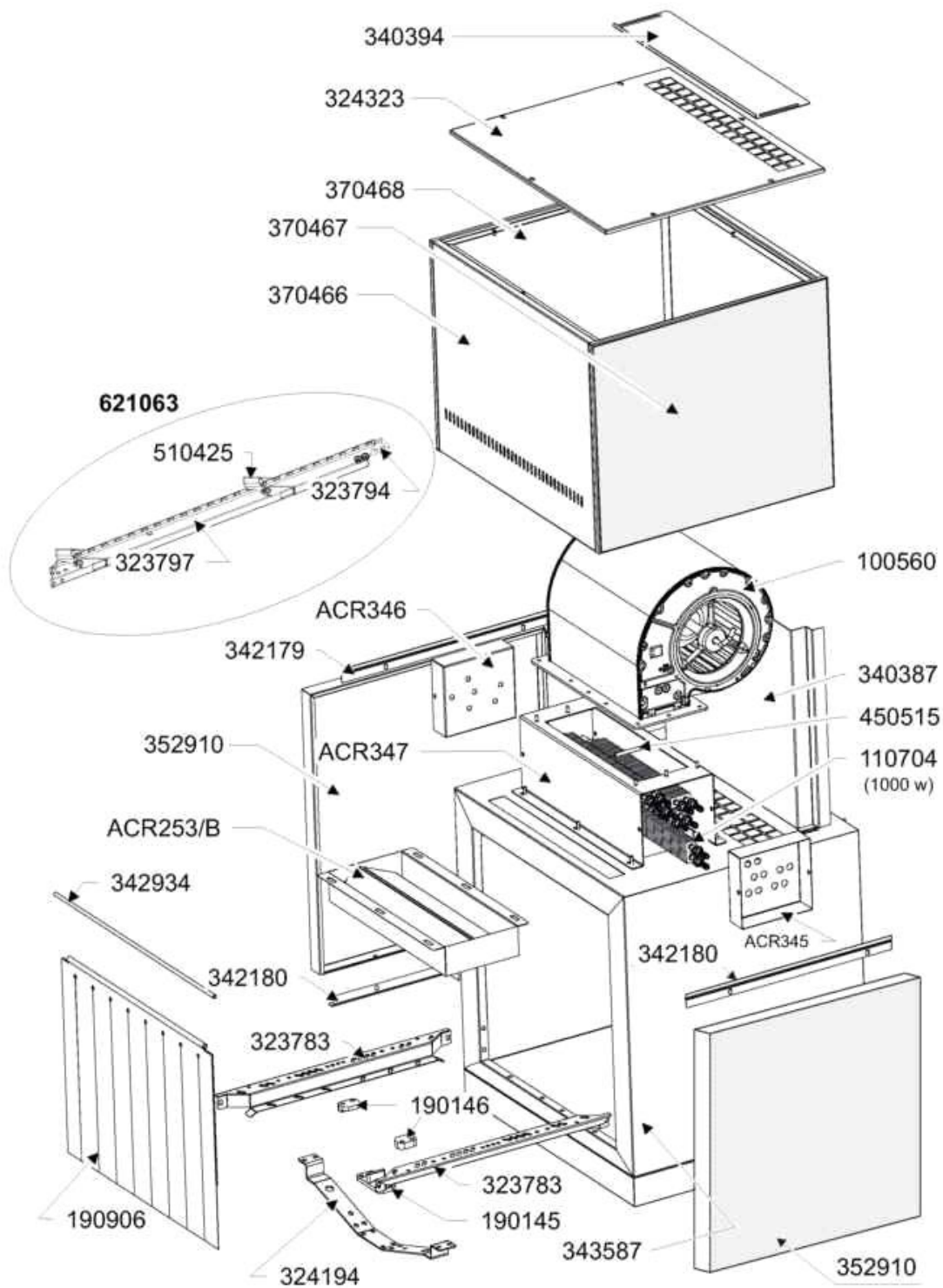
## Solenoid valves

Code	Description	Price (EUR)
121178	SOLENOID VALVE 01.010.125	56.94
121179	FILTER	42.33
121180	2-VALVES CONNECTOR	62.78
121181	BRACKET	5.28
121182	"T" CONNECTION	36.14
121183	SOLENOID VALV.01.010.125 X PRS	61.56
281102	1/2" ADJ VALVE C/W GAUGE TYPE	137.52
352248	SIDE PANEL	225.75
461550	LABEL "HOT WATER"	2.88
461550/1	LABEL "COLD WATER"	2.88



## Self cleaning

Code	Description	Price (EUR)
121178	SOLENOID VALVE 01.010.125	56.94
121182	"T" CONNECTION	36.14
180413	TEE NIPPLE D.11,5 - RINSE ASSE	2.75
200122	HOSE 11X19	12.34
450103	CLAMP FE ZN. 13-20 H=9	2.78
621052	VACUUM BREAKER	16.54

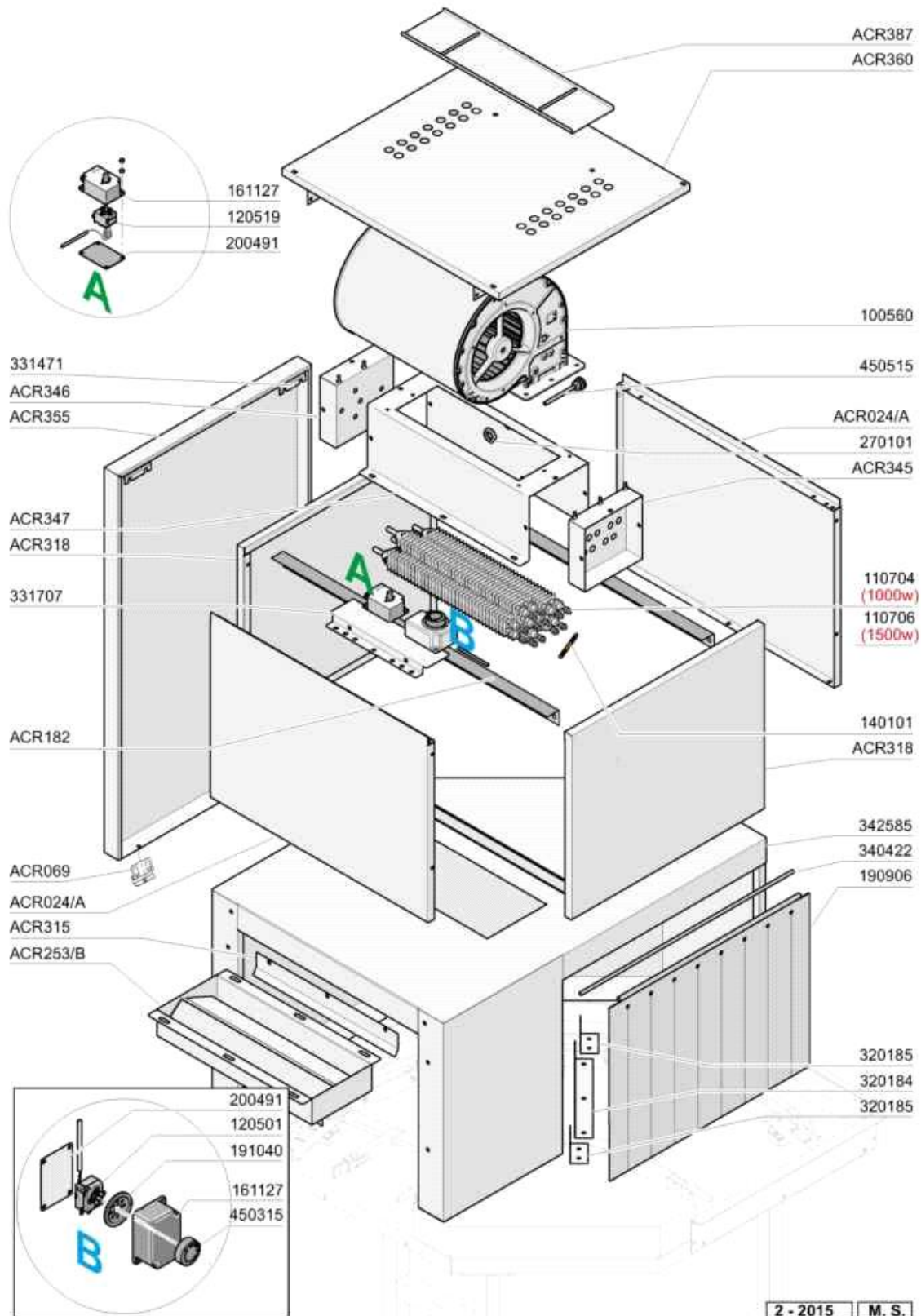


MS.03-16

## Dryer 600

Code	Description	Price (EUR)
100560	FAN ZIEHL 0.42	1,518.86
110704	HEAT.ELEMENT/DRYING 1000W 220V	84.93
190145	SUPPORT F.PAWL BAR GUIDE AC	6.28
190146	CLAMPING PIECES AC	6.28
190906	CURTAIN IN/OUT 620X480	130.43
323783	RACK GUIDE ACD600	46.23
323794	CHANNEL F.DRIVE BEARING	26.60
323797	GUIDE 600	52.56
324194	GUIDE SUPPORT AC2	44.28
340387	PANEL	119.20
342179	SUPPORT	11.36
342180	SUPPORT	15.40
342934	SHAFT FOR CURTAIN AC2-AC2P	10.55
343587	HOOD	0.00
352910	FRONT PANEL X DPC AC2-600D	171.25
450515	STAINL.ST.SHIELD FOR 1 THERMOS	18.36
510425	PAWL LOAD. AC/ACR	11.59
621063		110.94
ACR253/B	LOWER DREYER AS ACE	136.23
ACR345	FRONT ELEMENT SUPPORT	32.27
ACR346	BACK ELEMENT SUPPORT	31.62
ACR347	DRYER VENTILATOR SUPPOR	149.78

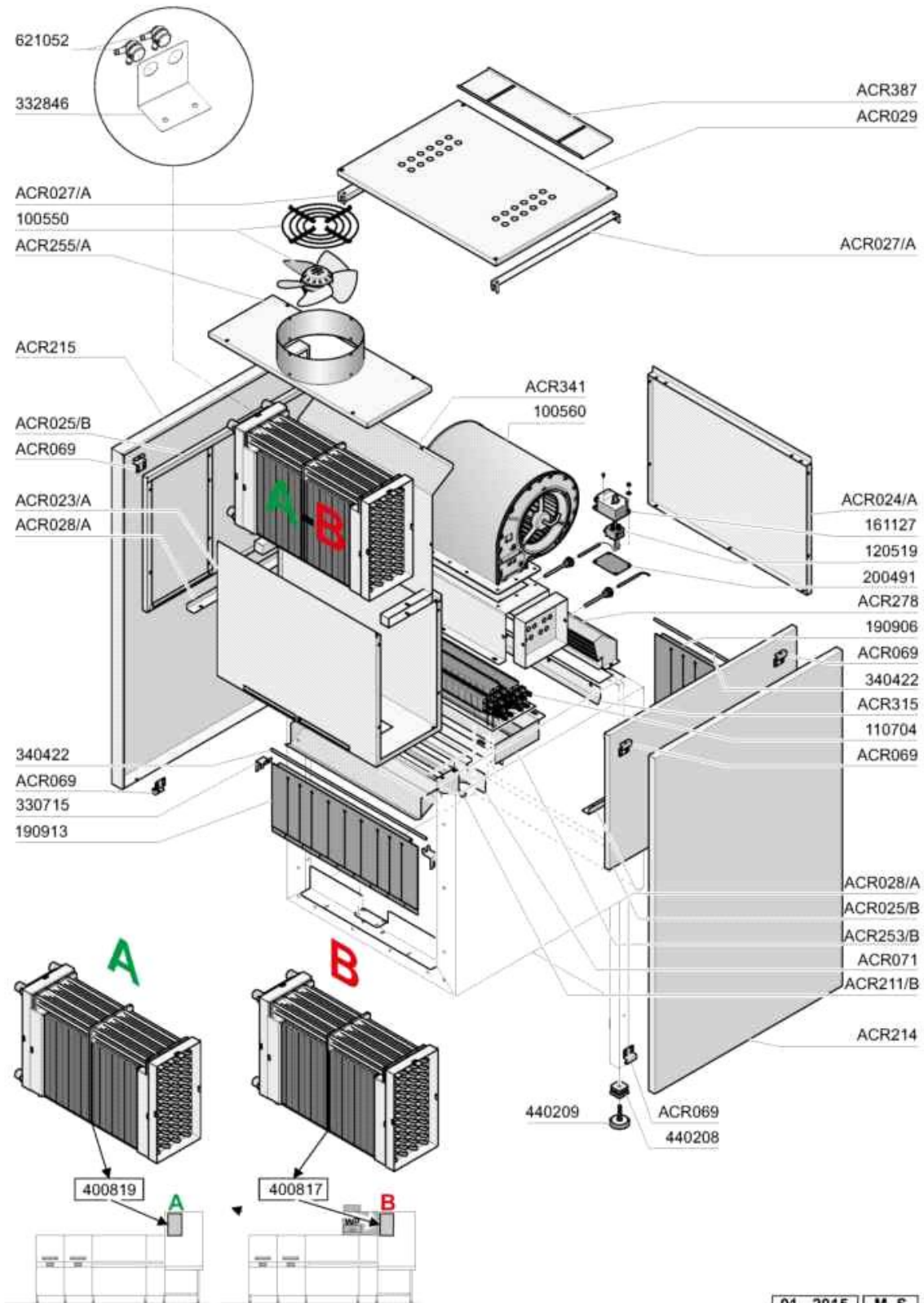




2 - 2015 M. S.

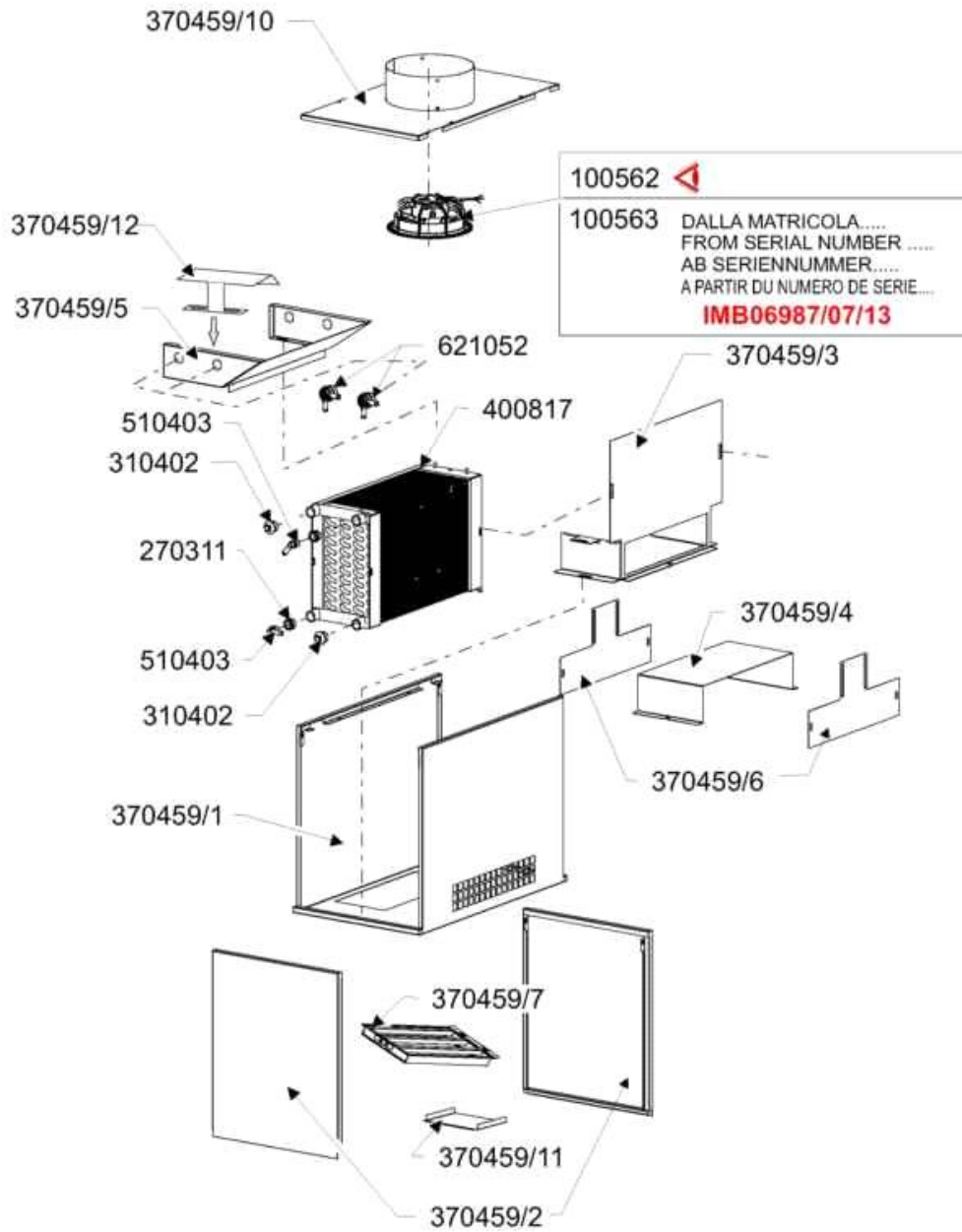
## Dryer on curve

Code	Description	Price (EUR)
100560	FAN ZIEHL 0.42	1,518.86
110704	HEAT.ELEMENT/DRYING 1000W 220V	84.93
110706	DRYER HEAT.ELEMENT 1500W 230V	88.17
120501	THERMOSTAT 30/90°C	32.28
120519	SAFETY THERMOSTAT 95-125°	59.27
140101	BRASS CONNECT. PLATE HEAT.ELEM	2.67
161127	BOX FOR THERMOSTAT	6.63
190906	CURTAIN IN/OUT 620X480	130.43
191040	FRAME F.THERMOSTAT KNOB	1.78
200491	BACK GASKET OF THERMOSTAT BOX	2.91
270101	HEXAGON LOCK NUT 1/2"	8.21
331707	BRACKET	14.86
340422	SHAFT FOR CURTAIN AC-ACR	25.60
342585	HOOD	0.00
450315	KNOB F. THERMOSTAT 90°	0.58
450515	STAINL.ST.SHIELD FOR 1 THERMOS	18.36
ACR024/A	PANNELLO LATERALE AS TESTA ACE	0.00
ACR069	BRACKET	11.93
ACR253/B	LOWER DREYER AS ACE	136.23
ACR315		14.31
ACR345	FRONT ELEMENT SUPPORT	32.27
ACR346	BACK ELEMENT SUPPORT	31.62
ACR347	DRYER VENTILATOR SUPPOR	149.78
ACR387		28.47



01 - 2015 | M. S.

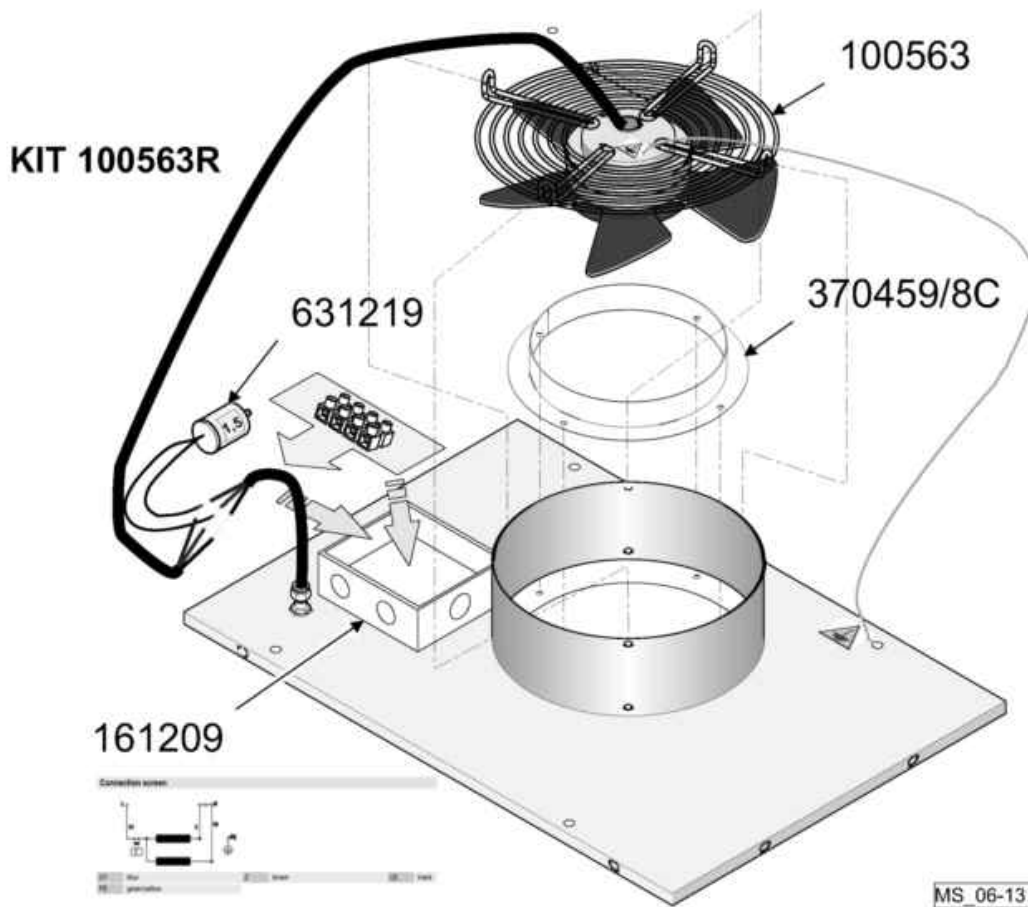
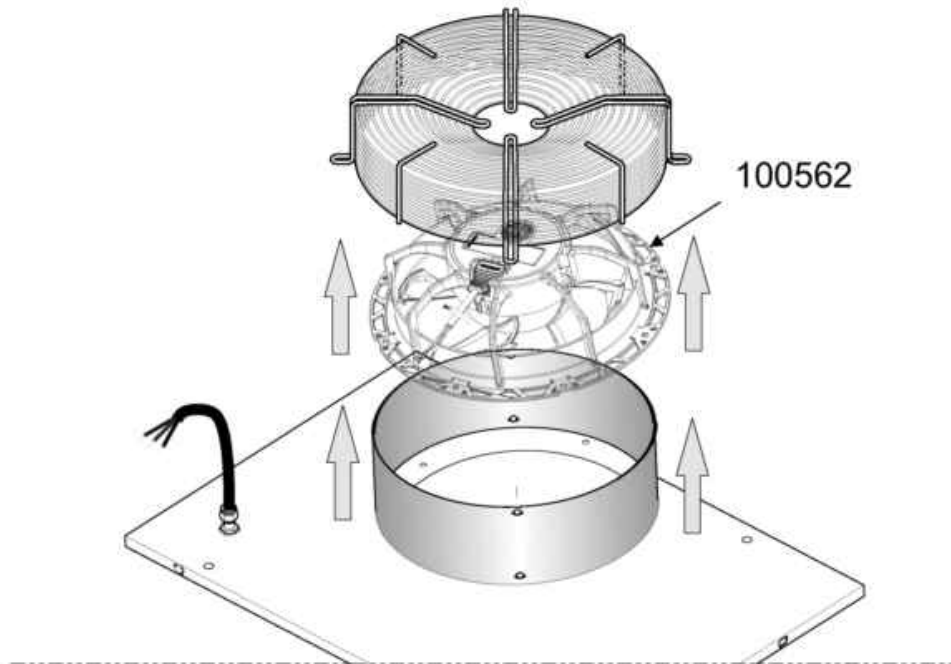
Code	Description	Price (EUR)
100550	FAN FOR HEAT RECOVERY UNIT	519.72
100560	FAN ZIEHL 0.42	1,518.86
110704	HEAT.ELEMENT/DRYING 1000W 220V	84.93
120519	SAFETY THERMOSTAT 95-125?	59.27
161127	BOX FOR THERMOSTAT	6.63
190906	CURTAIN IN/OUT 620X480	130.43
190913	CURTAIN FOR ECORINSE SE-620X27	125.82
200491	BACK GASKET OF THERMOSTAT BOX	2.91
330715	UPPER BRACKET CURTAIN SNL-SE	5.15
332846	BRACKET	0.00
340422	SHAFT FOR CURTAIN AC-ACR	25.60
400817	BATTERY FOR STEAM CONDENSER +	1,001.27
400819	HRU BATTERY	1,003.00
440208	FOOT INSERT	2.63
440209	COMPLETE FOOT NE	17.24
621052	VACUUM BREAKER	16.54
ACR023/A	CASSONE RC INTERNO AS ACE	0.00
ACR024/A	PANNELLO LATERALE AS TESTA ACE	0.00
ACR025/B	PANNELLO ANT.POST.AS	136.20
ACR027/A	TRAVERSA PANNELLI AS ACRS2	0.00
ACR028/A	TRAVERSA AGG.PANN.AS ACE	0.00
ACR029	800 DRYER COVER	158.37
ACR069	BRACKET	11.93
ACR071	COVER	49.62
ACR211/B	PARATIA ASP.ARIA.AS	0.00
ACR214	800MM DRYER FRONT INSUL.PANEL	252.80
ACR215	800MM DRYER BACK INSUL.PANEL	262.35
ACR253/B	LOWER DREYER AS ACE	136.23
ACR255/A	COVER	102.56
ACR278		109.72
ACR315		14.31
ACR341	SUPPORTO BATTERIA RC DA 21 ACE	0.00
ACR387		28.47



MS. 09-13

## Heat recovery unit

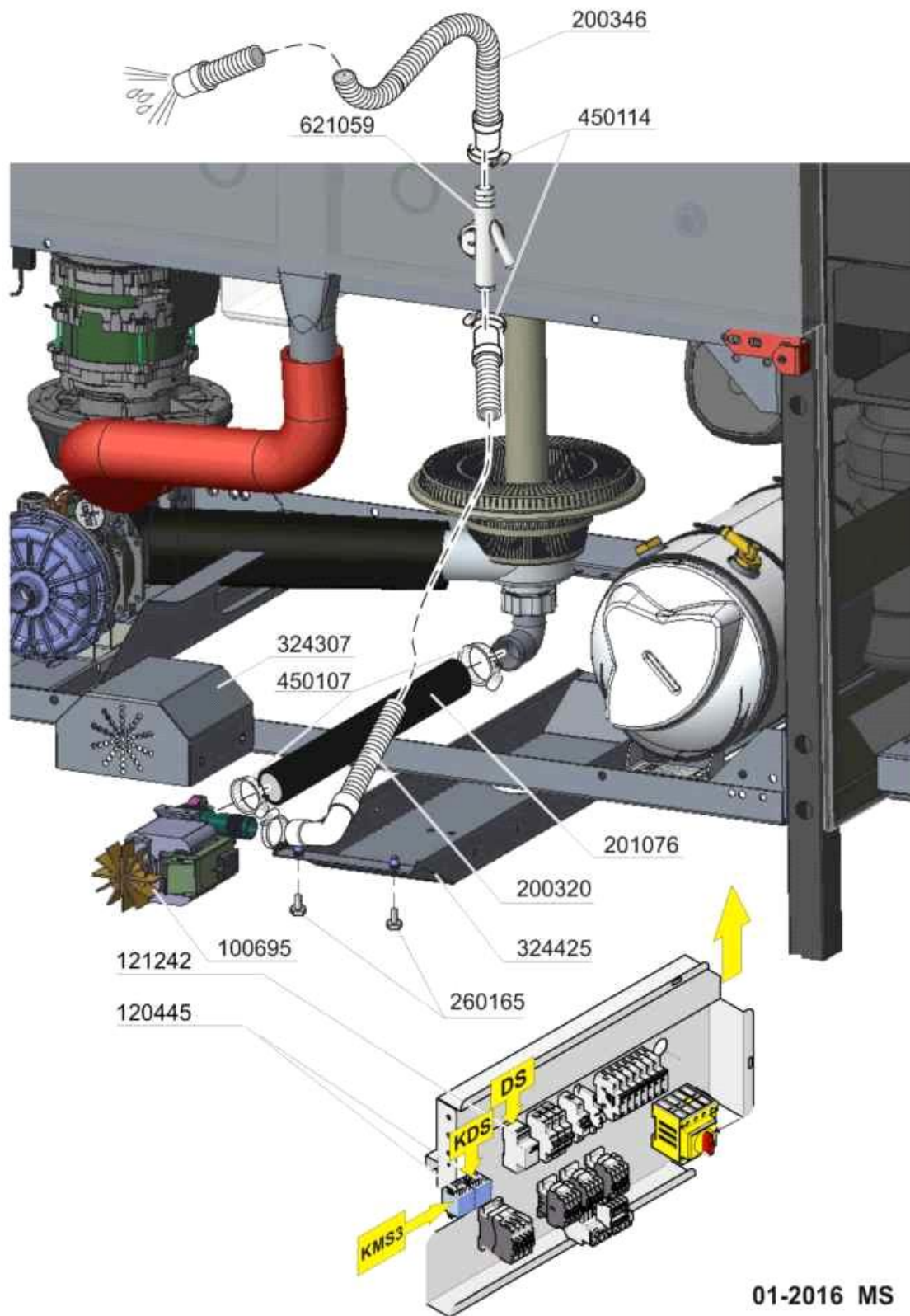
Code	Description	Price (EUR)
100562	FAN W1G172-EC91-01	0.00
100563	VENTILATOR A2E170AF2315	300.51
270311	NIPPLE 3/4"-1/2"	6.19
310402	PLUG 3/4"	5.84
370459/1	BASEMENT	319.26
370459/10	CAP	85.68
370459/11	INVITATION SPLASH GUARD	16.32
370459/12	DEFLETTORE PARASPRUZZI RC	0.00
370459/2	SIDE PANEL	80.58
370459/3	BATTERY PANEL	112.20
370459/4	CHANNEL DEVIATION AIR	45.90
370459/5	UPPER COVER	47.94
370459/6	COVER REGULATION AIR	28.56
370459/7	SPLASH GUARD FOR RC400mm	33.66
400817	BATTERY FOR STEAM CONDENSER +	1,001.27
510403	CONNECT.HOSE 90°1/2"X12	26.37
621052	VACUUM BREAKER	16.54



## Heat Recovery Unit

Code	Description	Price (EUR)
100562	FAN W1G172-EC91-01	0.00
100563	VENTILATOR A2E170AF2315	300.51
100563R	REPLACEMENT KIT 100562	328.84
161209	CASE 80 X 80 X 40 IP 44	0.00
370459/8C	COLLAR.ADATT.VENT.RC OLD-NEW	0.00
631219	CONDENSATOR 1,5 MF 400V	9.26





01-2016 MS

## Drain Pump

Code	Description	Price (EUR)
100695	DRAIN PUMP 220V-50	207.37
120445	AUXILIARY RELAY S.B2/3 24V	50.56
121242	TIMER LAV1000	136.38
200320	DRAIN PUMP HOSE	6.50
200346	DRAIN HOSE GLASSWASHER	20.80
201076	HOSE	28.18
324307	COVER FOR DRAIN PUMP	0.00
324425	SUPPORT FOR DRAIN PUMP	0.00
450107	CLAMP FE ZN 38-50 H=12,2	5.41
450114	CLAMP FE ZN.22-32 H=12,2	5.09
621059	COMPLETE DRAIN MANIFOLD	18.99