

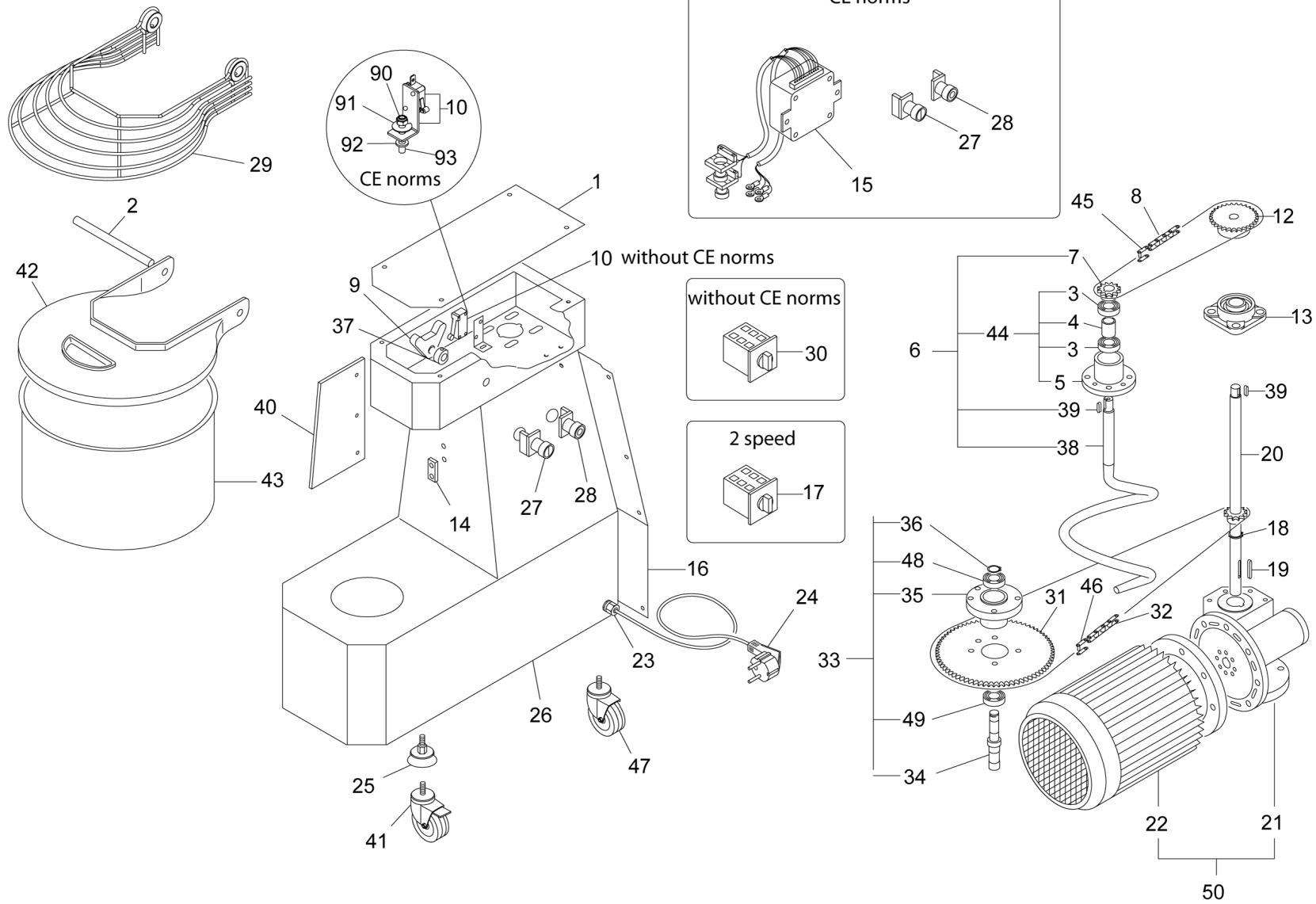


SPARE PARTS TAVOLA RICAMBI

IM20-30LN

SPEC.	N.	CODE	DENOMINAZIONE - DENOMINATION	PRICE
(30LN)	1	SL2907	COVER - COPERCHIO	€ 8.00
(20LN)	1	SL2910	COVER - COPERCHIO	
(20LN)	2	SL0021	Pivot - Perno	€ 4.50
(30LN)	2	SL0076	Pivot - Perno	€ 5.00
6203 2RS (20LN)	3	SL0131	Bearing - Cuscinetto	€ 6.00
6204 2RS (30LN)	3	SL3125	Bearing - Cuscinetto	€ 6.50
(20LN)	4	SL0020	Spacer - Distanziale	€ 2.80
(30LN)	4	SL2942	SPACER - DISTANZIALE	€ 2.00
(20LN)	5	SL0022	Support - Supporto	€ 22.75
(30LN)	5	SL2941	SUPPORT - SUPPORTO	
Assembly (20LN)	6	SA1034	SUPPORT - SUPPORTO	€ 85.00
Assembly (30LN)	6	SA1035	SUPPORT - SUPPORTO	€ 103.00
3/8"x7/32" Z=15 (20LN)	7	SL0024	Pinion - Pignone	€ 4.00
1/2"x5/16" Z=15 (30LN)	7	SL2691R0	PINION - PIGNONE	€ 5.20
1/2"x5/16" (30LN)	* 8	SL2943	CHAIN - CATENA	€ 8.50
3/8"x7/32" (20LN)	* 8	SL2944	CHAIN - CATENA	€ 4.50
	9	SL0035	Stop - Battuta	€ 5.00
CE norms (20LN) da matr.190503100 *	* 10	SA1157	Microswitch - Microinterruttore	€ 14.00
CE norms (30LN) da matr.190503100 *	10	SA1158	Microswitch - Microinterruttore	€ 14.00
EXCE norms, 1Ph	10	SL2701	Microswitch - Microinterruttore	€ 18.50
EXCE norms, 3Ph da matr.191105456	10	SL4409	Microswitch - Microinterruttore	€ 19.50
3/8"x7/32" Z=29 (20LN)	12	SL0030	Pinion - Pignone	€ 6.00
1/2"x5/16" Z=29 (30LN)	12	SL0084	Pinion - Pignone	€ 15.20
UCF204 (20LN)	13	SL0032	Support - Supporto	€ 8.40
UCF205 (30LN)	13	SL0086	Support - Supporto	€ 9.50
	14	SL2957	BRACKET - STAFFA	€ 5.40
400V/3Ph/50Hz	* 15	SA1210	Electric installation - Impianto elettrico	€ 55.00
230V/1Ph/50Hz	* 15	SA1220	Electric installation - Impianto elettrico	€ 56.00
(30LN)	16	SL2908	COVER - COPERCHIO	
(20LN)	16	SL3254	COVER - COPERCHIO	€ 8.00
2 speed - CE norms (30LN)	17	SL2743	Speed changeover switch - Commutatore di velocità	€ 49.00
2 speed - without CE norms (30LN)	17	SL3760	Speed changeover switch - Commutatore di velocità	€ 40.00
ø25 (30LN)	18	SL1616	Seeger - Seeger	€ 0.50
ø18 (20LN)	18	SL3486	Seeger - Seeger	€ 0.50
6x6x30 (20LN)	19	SL3130	Key - Linguetta	€ 1.00
8x7x40 (30LN)	19	SL3410	Key - Linguetta	€ 1.50
(20LN)	20	SA1027	SHAFT - ALBERO	€ 26.00

*Ricambio consigliato - Advised spare parts



POS. CODE

1	SL2907
1	SL2910
2	SL0021
2	SL0076
3	SL0131
3	SL3125
4	SL0020
4	SL2942
5	SL0022
5	SL2941
6	SA1034
6	SA1035
7	SL0024
7	SL2691R0
8	SL2943
8	SL2944
9	SL0035
10	SA1157
10	SA1158
10	SL2701
10	SL4409
12	SL0030
12	SL0084
13	SL0032
13	SL0086
14	SL2957
15	SA1210
15	SA1220
16	SL2908
16	SL3254
17	SL2743
17	SL3760
18	SL1616
18	SL3486
19	SL3130
19	SL3410
20	SA1027

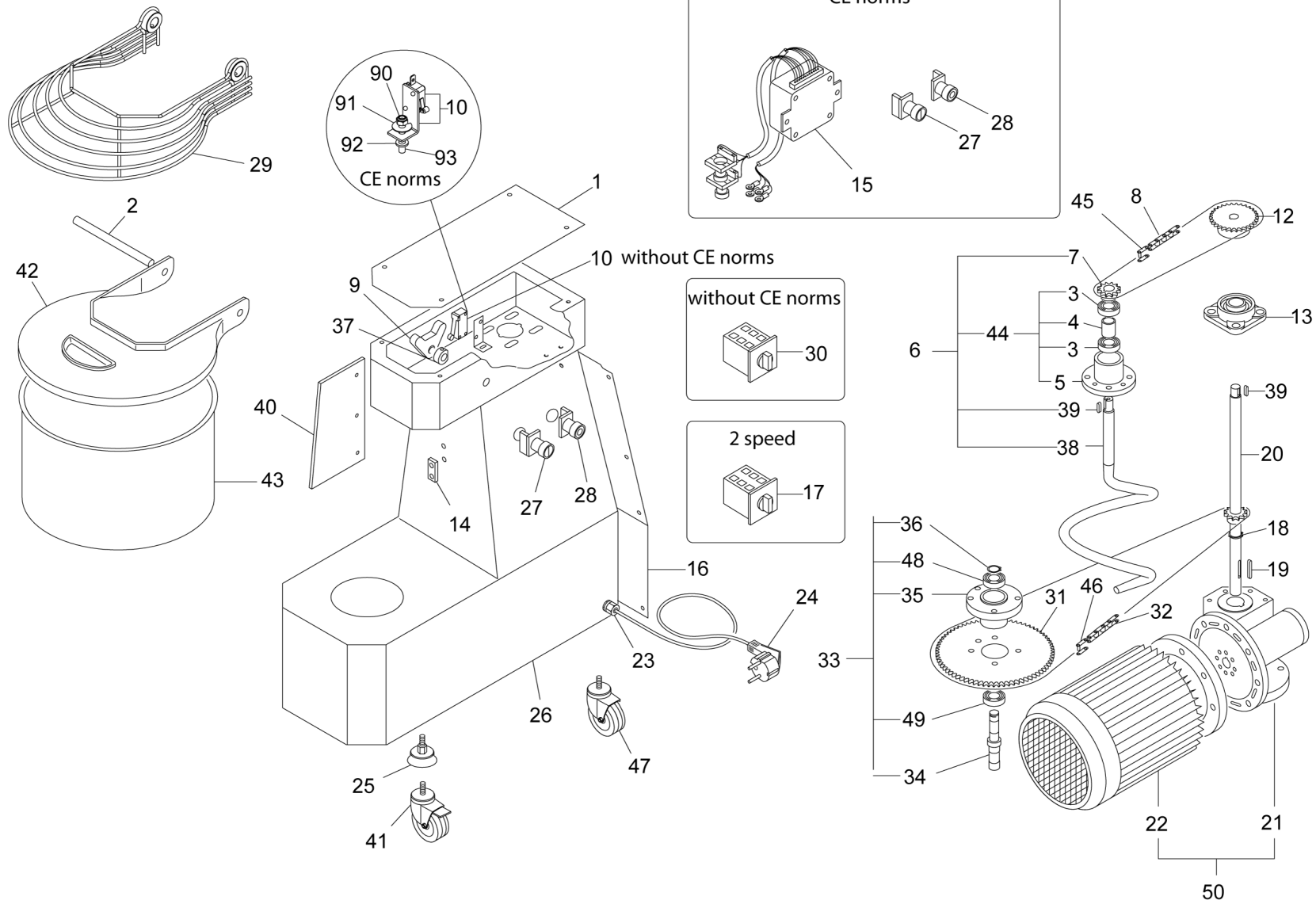


SPARE PARTS TAVOLA RICAMBI

IM20-30LN

SPEC.	N.	CODE	DENOMINAZIONE - DENOMINATION	PRICE
(30LN)	20	SA1028	SHAFT - ALBERO	€ 30.00
(20LN)	21	SL3185	Gear box - Riduttore	€ 125.00
(30LN)	21	SL3186	Gear box - Riduttore	€ 97.00
230V/1Ph/50Hz (20LN)	22	SL3211	Motor - Motore	€ 100.00
230V/1Ph/50Hz (30LN)	22	SL3212	Motor - Motore	€ 110.00
400V/3Ph/50Hz (30LN)	22	SL3309	Motor - Motore	€ 100.00
400V/3Ph/50Hz (2 speed - 30LN)	22	SL3313	Motor - Motore	€ 180.00
400V/3Ph/50Hz (20LN)	22	SL3336	Motor - Motore	€ 100.00
PG11	23	SL1668	Cable clamp - Pressacavo	€ 1.00
1Ph+N+Gnd	24	SL1671	Electric cable - Cavo elettrico	€ 6.50
3Ph+Gnd	24	SL1841	Electric cable - Cavo elettrico	€ 12.00
	* 25	SL3361	Foot - Piedino	€ 4.25
(20LN)	26	SL3253	DISTRIBUTOR - BASE	
(30LN)	26	SL3353	DISTRIBUTOR - BASE	
Start	* 27	SL1049	Push button - Pulsante	€ 12.00
Stop	* 28	SL0807	Push button - Pulsante	€ 12.00
Stainless steel (20LN)	29	SL3418	Cover - Coperchio	€ 40.00
Stainless steel (30LN)	29	SL3419	Cover - Coperchio	€ 53.00
	30	SL0054	Switch - Interruttore	€ 17.35
8x3 Z=85 (20LN)	31	SL0057	Crown - Corona	€ 14.00
3/8"x7/32" Z=85 (30LN)	31	SL0100	Crown - Corona	€ 18.00
3/8"x7/32" (30LN)	* 32	SL2945	CHAIN - CATENA	€ 18.00
8x3 (20LN)	* 32	SL2946	CHAIN - CATENA	€ 11.50
Assembly (30LN)	33	SA1800	Support - Supporto	€ 40.00
Assembly (20LN)	33	SA1900	Support - Supporto	€ 29.00
(20LN)	34	SL0014	Shaft - Albero	€ 6.00
(30LN)	34	SL0072	Shaft - Albero	€ 6.50
(20LN)	35	SL0016	Support - Supporto	
(30LN)	35	SL0074	Support - Supporto	€ 28.80
ø17 (20LN)	36	SL0017	Seeger - Seeger	€ 0.50
ø20 (30LN)	36	SL0075	Seeger - Seeger	€ 0.50
	37	SL0036	Cam - Camma	€ 3.00
(20LN)	38	SL2860	Spiral - Spirale	€ 64.70
(30LN)	38	SL2861	Spiral - Spirale	€ 71.00
5x5x20	39	SL0010	Key - Linguetta	
(20LN)	40	SL2638	GUARD - PROTEZIONE	
(30LN)	40	SL2639	GUARD - PROTEZIONE	
ø95 M10x30	41	SL3483	Revolving wheel - Ruota girevole	€ 11.00
Plastic (20LN)	42	SA1005	Cover - Coperchio	€ 22.00
Plastic (30LN)	42	SA1006	Cover - Coperchio	€ 20.00

*Ricambio consigliato - Advised spare parts



POS. CODE

20	SA1028
21	SL3185
21	SL3186
22	SL3211
22	SL3212
22	SL3309
22	SL3313
22	SL3336
23	SL1668
24	SL1671
24	SL1841
25	SL3361
26	SL3253
26	SL3353
27	SL1049
28	SL0807
29	SL3418
29	SL3419
30	SL0054
31	SL0057
31	SL0100
32	SL2945
32	SL2946
33	SA1800
33	SA1900
34	SL0014
34	SL0072
35	SL0016
35	SL0074
36	SL0017
36	SL0075
37	SL0036
38	SL2860
38	SL2861
39	SL0010
40	SL2638
40	SL2639
41	SL3483
42	SA1005
42	SA1006

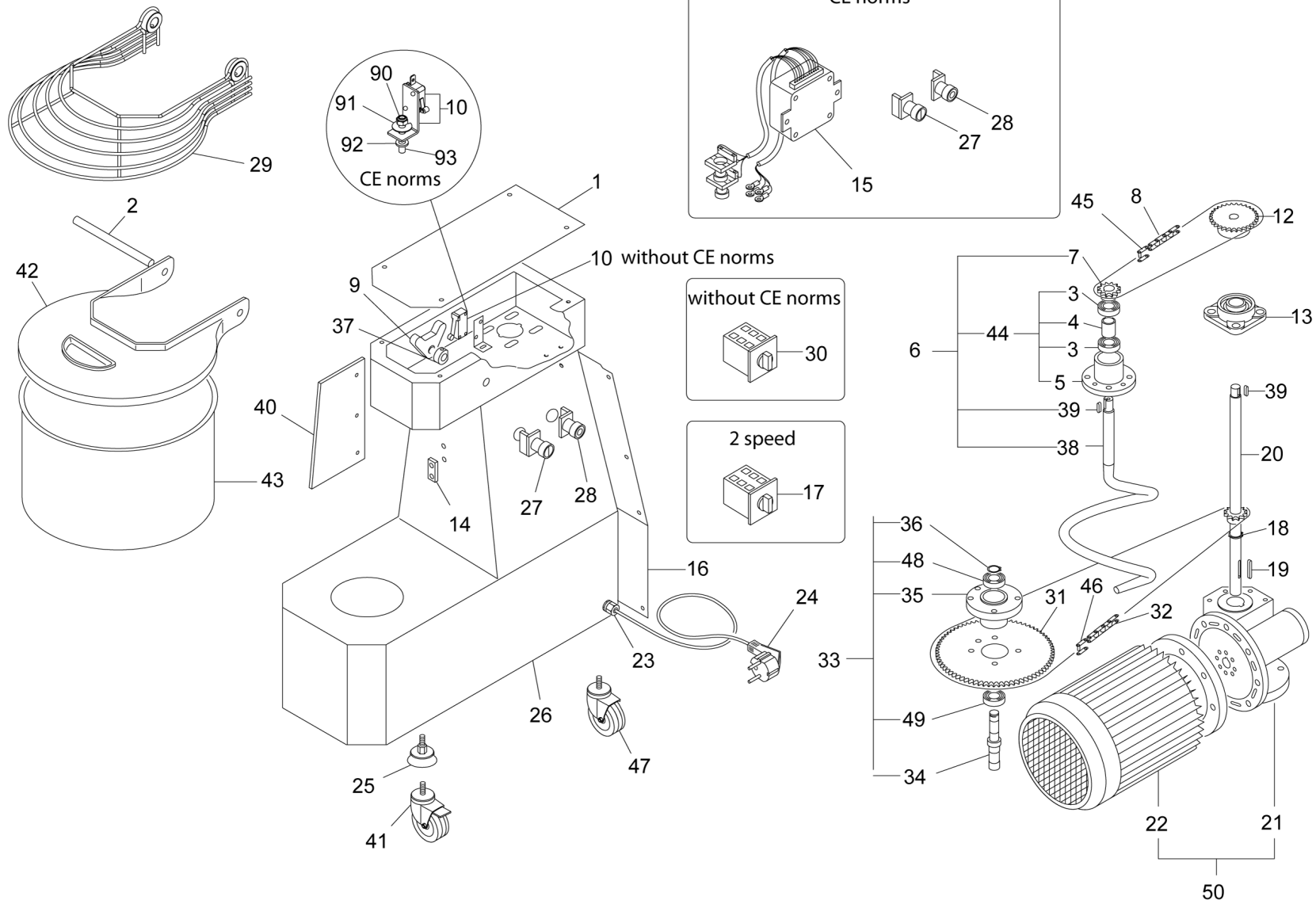


SPARE PARTS
TAVOLA RICAMBI

IM20-30LN

SPEC.	N.	CODE	DENOMINAZIONE - DENOMINATION	PRICE
(20LN)	43	SL0009	Pan - Pentola	€ 90.00
(30LN)	43	SL0067	Pan - Pentola	€ 125.00
Assembly (20LN)	44	SA4000	Support - Supporto	€ 24.00
Assembly (30LN)	44	SA4001	SUPPORT - SUPPORTO	
3/8"x7/32" (20LN)	* 45	SL1629	Joint - Giunto	€ 2.50
1/2"x5/16" (30LN)	* 45	SL1632	Joint - Giunto	€ 1.50
8x3 (20LN)	* 46	SL1545	Joint - Giunto	€ 2.00
3/8"x7/32" (30LN)	* 46	SL1629	Joint - Giunto	€ 2.50
ø95 M10x30	47	SL3482	Fixed wheel - Ruota fissa	€ 8.00
3204 (30LN)	48	SL0103	Bearing - Cuscinetto	€ 12.00
6203 2RS (20LN)	48	SL0131	Bearing - Cuscinetto	€ 6.00
6203 2RS (20LN)	49	SL0131	Bearing - Cuscinetto	€ 6.00
6004 2RS (30LN)	49	SL1799	Bearing - Cuscinetto	€ 6.70
230V/1Ph/50Hz (20LN)	50	SL3289	Geared motor - Motoriduttore	€ 170.00
400V/3Ph/50Hz (20LN)	50	SL3290	Geared motor - Motoriduttore	€ 119.00
230V/1Ph/50Hz (30LN)	50	SL3291	Geared motor - Motoriduttore	€ 195.00
400V/3Ph/50Hz (30LN)	50	SL3292	Geared motor - Motoriduttore	€ 244.00
400V/3Ph/50Hz (2 speed - 30LN)	50	SL3306	Geared motor - Motoriduttore	€ 214.00
CE norms	90	3113200	NUT - DADO	
CE norms	91	SL6495	WASHER - ROSETTA	
CE norms fino a matr.190503100	92	SL2062	WASHER - ROSETTA	
CE norms fino a matr.190503100	93	SL6484	DOWEL - GRANO	

*Ricambio consigliato - Advised spare parts



POS. CODE

43	SL0009
43	SL0067
44	SA4000
44	SA4001
45	SL1629
45	SL1632
46	SL1545
46	SL1629
47	SL3482
48	SL0103
48	SL0131
49	SL0131
49	SL1799
50	SL3289
50	SL3290
50	SL3291
50	SL3292
50	SL3306
90	3113200
91	SL6495
92	SL2062
93	SL6484