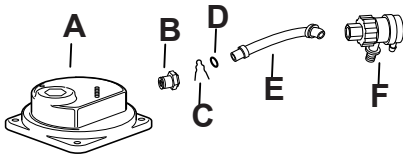


**VERSIONE ELC.2**

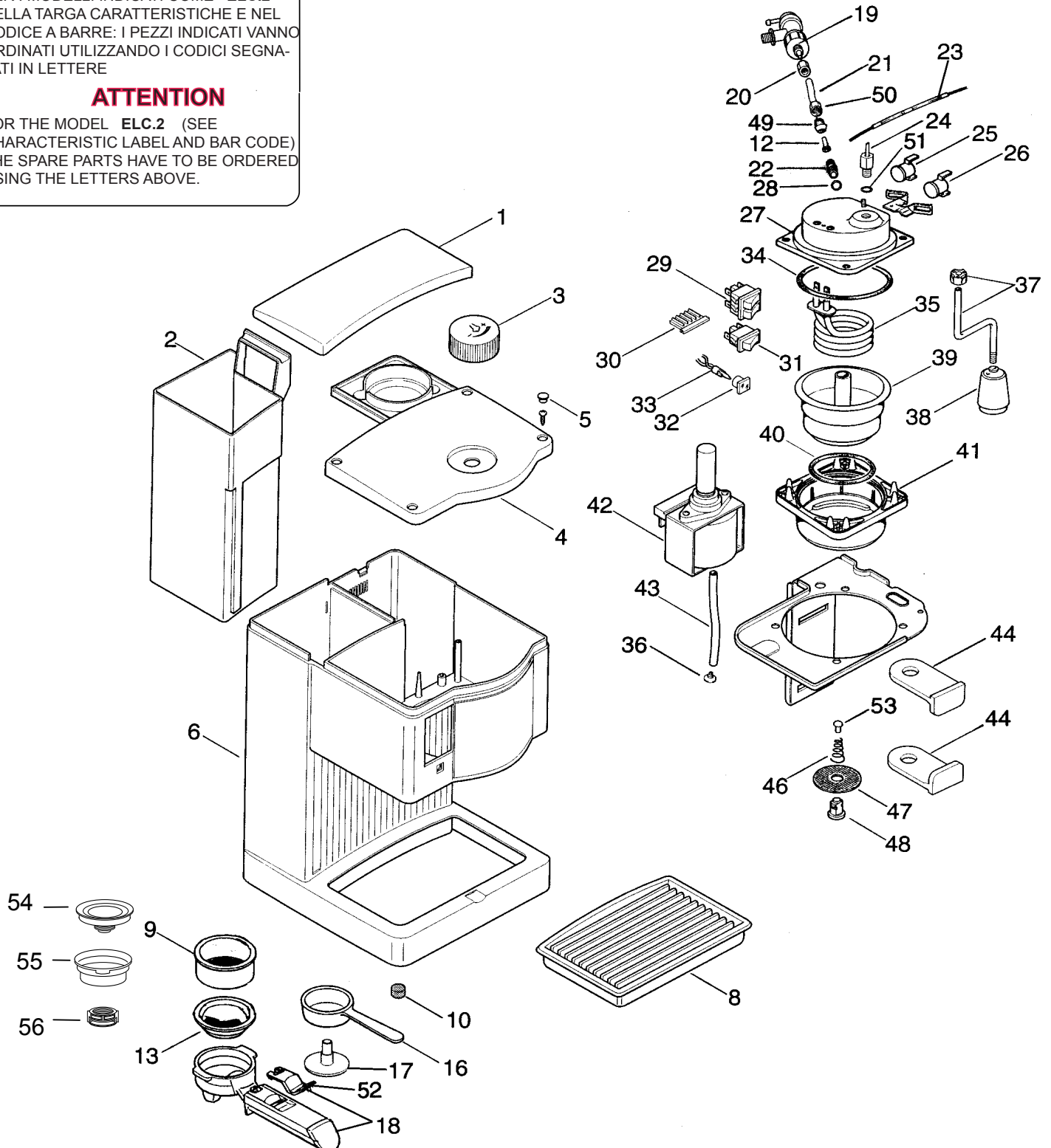


**ATTENZIONE**

PER I MODELLI INDICATI COME **ELC.2** NELLA TARGA CARATTERISTICHE E NEL CODICE A BARRE: I PEZZI INDICATI VANNO ORDINATI UTILIZZANDO I CODICI SEGNA-LATI IN LETTERE

**ATTENTION**

FOR THE MODEL **ELC.2** (SEE CHARACTERISTIC LABEL AND BAR CODE) THE SPARE PARTS HAVE TO BE ORDERED USING THE LETTERS ABOVE.



Position	Code	description
0	9811040850	SCREW
D	5313217701	O-RING D=3,85
C	6132101300	CLIP
	7332122300	FILTER HOLDER PODS UNIVERSAL
F	7313286129	VALVE
	5313270059	HEATING ELEMENT SEAL
	5332173200	DUCT LOWER
E	5532108300	TUBE L=240
	6032102600	FILTER
	9815002850	INOX NUT M10 X 1.25 (BOILER/TAP)
B	6213210431	CONNECTION
	5332180400	SLIDING BLOCK BLACK(PA66)
0	9815003750	INOX NUT M8 X 1 (BOILER/JUNCTION)
01	535703	DOOR
02	5332111100	TANK
03	535704	KNOB
04	535701	COVER
05	535714	STOPPER
06	ES000	*NOT AVAILABLE
08	535705	CUP PLATE
10	535928	FOOT
12	621970	RING
16	5332169200	MEASURING SPOON
17	534381	PRESSING DEVICE
18	7332173100	SUMP
19	7313211921	VALVE
20	622189	NUT
21	535923	TUBE
22	7032103100	CONNECTION
23	511816	FUSE
24	7313281459	TAP
25	5232101300	THERMOSTAT 125°
26	5232100600	THERMOSTAT 105°
27	6813210411	BOILER UPPER
28	9850081500	WASHER
29	512770	SWITCH
30	535735	SPACER

31	5112610211	SWITCH
32	535929	LENS
33	513116	WARNING LIGHT
34	533216	GASKET
35	5513200799	HEATING Element ASSY
36	534632	FILTER
37	736618	TUBE
38	535708	FROTHER
39	6832101000	BOILER LOWER
40	533218	GASKET
41	707116	SUPPORT
42	5113211281	PUMP
43	5332107600	TUBE
44	534848	SUPPORT
46	6113211931	SPRING
47	611761	DIFFUSER
48	621964	DOWEL
49	621967	NOSE
50	621968	NUT
51	534710	GASKET
52	534714	LEVER
53	5332289700	VALVE
54	7313285859	FROTH DISPENSER
55	6032102400	FILTER
56	7313285889	FILTER