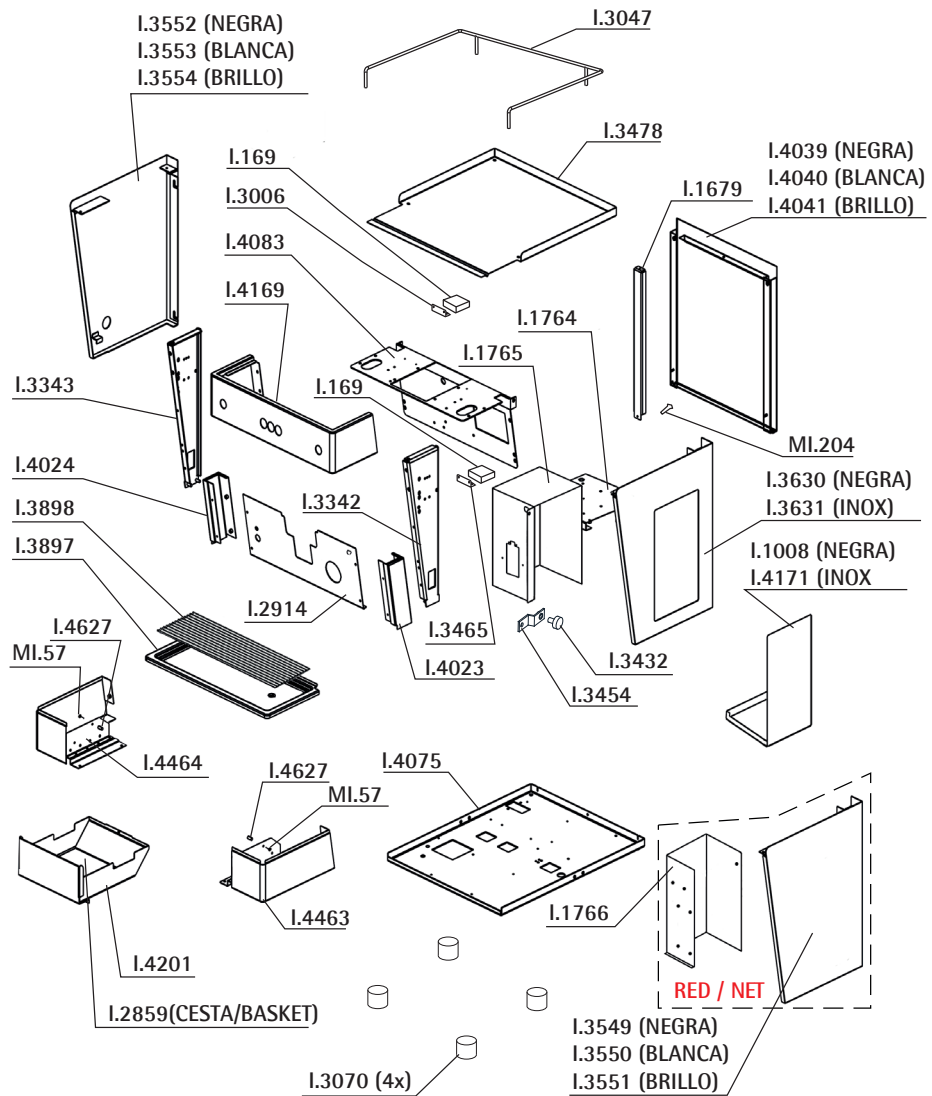




Bar Kap 2019

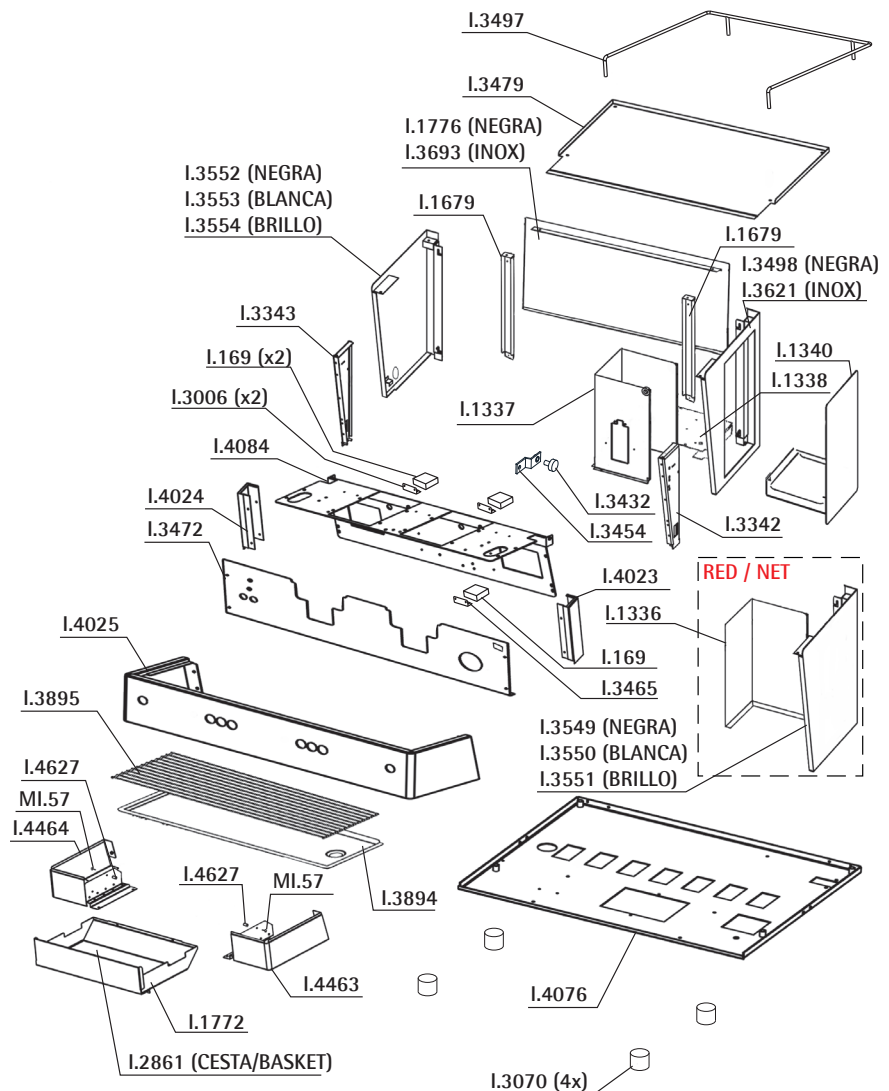
Carrocería Bar Kap 1GR ■ Bar Kap 1GR Bodywork

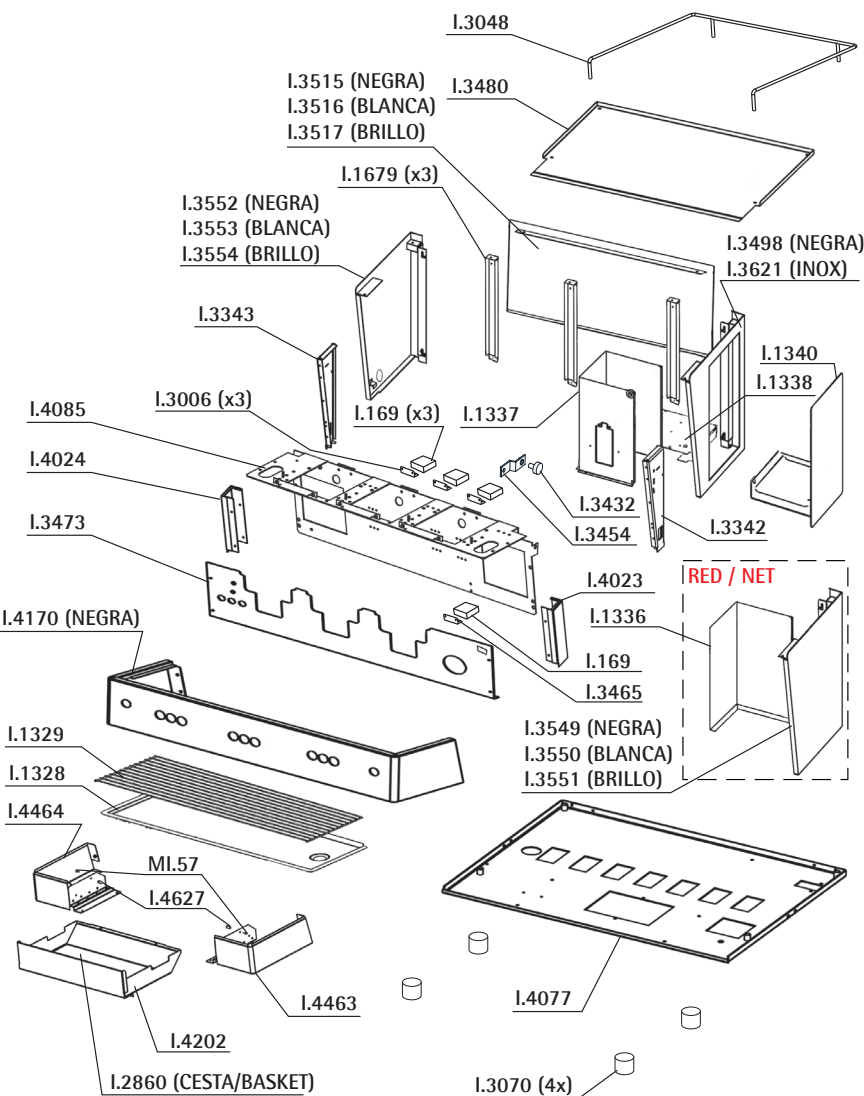
REF.	DESCRIPCIÓN	DESCRIPTION
I..169	MICROINTERRUPTOR PALANCA	LEVER MICROSWITCH
I.1008	CAJON BAR 1 GRUPO	BAR 1 GROUP BOX
I.1679	COLUMNA BASE	BASE COLUMN
I.1764	BASE CAJON BAR 1 GRUPO	BAR 1GROUP DRAWER BASE
I.1765	COMPARTIMENTO DEPOSITO BAR 1GR	1GR BAR TANK COMPARTMENT
I.1766	SOPORTE CENTRALITA BAR 1 GR RED	ELECTRONIC CIRCUIT SUPPORT
I.2859	CESTA CAJON CAPSULAS BAR KAP 1GR	CRATE BASKET BAR KAP 1GR
I.2914	FRONTAL INTER. BAR KAP 1GR. 2016	INTERM. FRONT BAR KAP 1GR 2016
I.3006	SOPORTE MICRO CAJON KAP	DRAWER MICRO BRACKET KAP
I.3047	BARANDILLA BAR/BARISTA 1GR	RAILING BARISTA 1GR
I.3070	PIE INOX D60	INOX FOOT D60
I.3308	TAPA LATERAL IZQ. BARISTA INOX	BARISTA LEFT LATERAL LID INOX
I.3342	MONTANTE DERECHO BARISTA T	RIGHT SUPPORT BARISTA T
I.3343	MONTANTE IZQUIERDO BARISTA T	LEFT SUPPORT BARISTA T
I.3432	IMAN CAJON DEPOSITO	TANK DRAWER MAGNET
I.3454	SOPORTE IMAN CAJON DEPOSITO	TANK DRAWER MAGNET BRACKET
I.3465	SOPORTE MICRO BAR KAP	SUPPORT MICRO BAR KAP
I.3478	TAPA SUPERIOR BAR 1 GRUPO 2016	UPPER LID BAR 1GROUP 2016
I.3549	TAPA LATERAL DERECHA BARISTA NEGRA	RIGHT SIDE LID BARISTA BLACK
I.3550	TAPA LATERAL DERECHA BARISTA BLANCA	RIGHT SIDE LID BARISTA WHITE
I.3551	TAPA LATERAL DERECHA BARISTA BRILLO	RIGHT SIDE LID BARISTA SHINE
I.3552	TAPA LATERAL IZQUIERDA BARISTA T NEGRA	BARISTA T LEFT LATERAL LID BLACK
I.3553	TAPA LATERAL IZQUIERDA BARISTA T BLANCA	BARISTA T LEFT LATERAL LID WHITE
I.3554	TAPA LATERAL IZQUIERDA BARISTA T BRILLO	BARISTA T LEFT LATERAL LID SHINE
I.3630	TAPA LATERAL DERECHA BAR DEP.	RIGHT SIDE LID BAR TANK
I.3631	TAPA LATERAL DER. BAR DEP. INOX	RIGHT SIDE LID BAR TANK INOX
I.3897	BANDEJA DESAGÜE BAR/BARISTA 1GR	BAR/BARISTA 1GR TRAY
I.3898	REJILLA BAR/BARISTA 1 GRUPO	MESH STRAINER BAR 1GR
I.3899	EMBELLECEDOR DERECHO BAR KAP NEGRO	RIGHT TRIM BAR KAP 2016 BLACK
I.4024	EMBELLECEDOR IZQUIERDO BAR KAP NEGRO	LEFT TRIM BAR KAP 2016 BLACK
I.4039	TAPA TRASERA BARISTA T 1 GR NEGRA	LID BACK BARISTA T 1 GR BLACK
I.4040	TAPA TRASERA BARISTA T 1 GR BLANCA	LID BACK BARISTA T 1 GR WHITE
I.4041	TAPA TRASERA BARISTA T 1 GR BRILLO	LID BACK BARISTA T 1 GR SHINE
I.4075	BASE BAR/BARISTA 1GR	BASE - BAR/BARISTA 1GR
I.4083	BASE MECANISMO BAR KAP 1GR	1GR BAR KAP MECHANISM BASE
I.4169	CARATULA BOTONERA BAR 1GR 2016 NEGRA	FRONTAL BAR 1GR 2016 BLACK
I.4201	CAJON CAPSULA BAR KAP 1GR NEGRO	WHOLE TRAY BAR KAP 1GR BLACK
I.4463	FRONTAL INFERIOR DER. BAR KAP	1GR BAR KAP RIGHT LOWER FRONT
I.4464	FRONTAL INFERIOR IZQ. BAR KAP	1GR BAR KAP LEFT LOWER FRONT
I.4627	TOPE CAJON CAPSULAS BAR KAP	TOP BOX CAPSULE BAR KAP
MI.57	TORNILLO M4X12	SCREW M4X12
MI.204	TORNILLO M4x10 INOX	M4x10 INOX SCREW
I.2637	TAPA TRASERA BARISTA 1GR. INOX	LID BACK INOX BARISTA 1GR



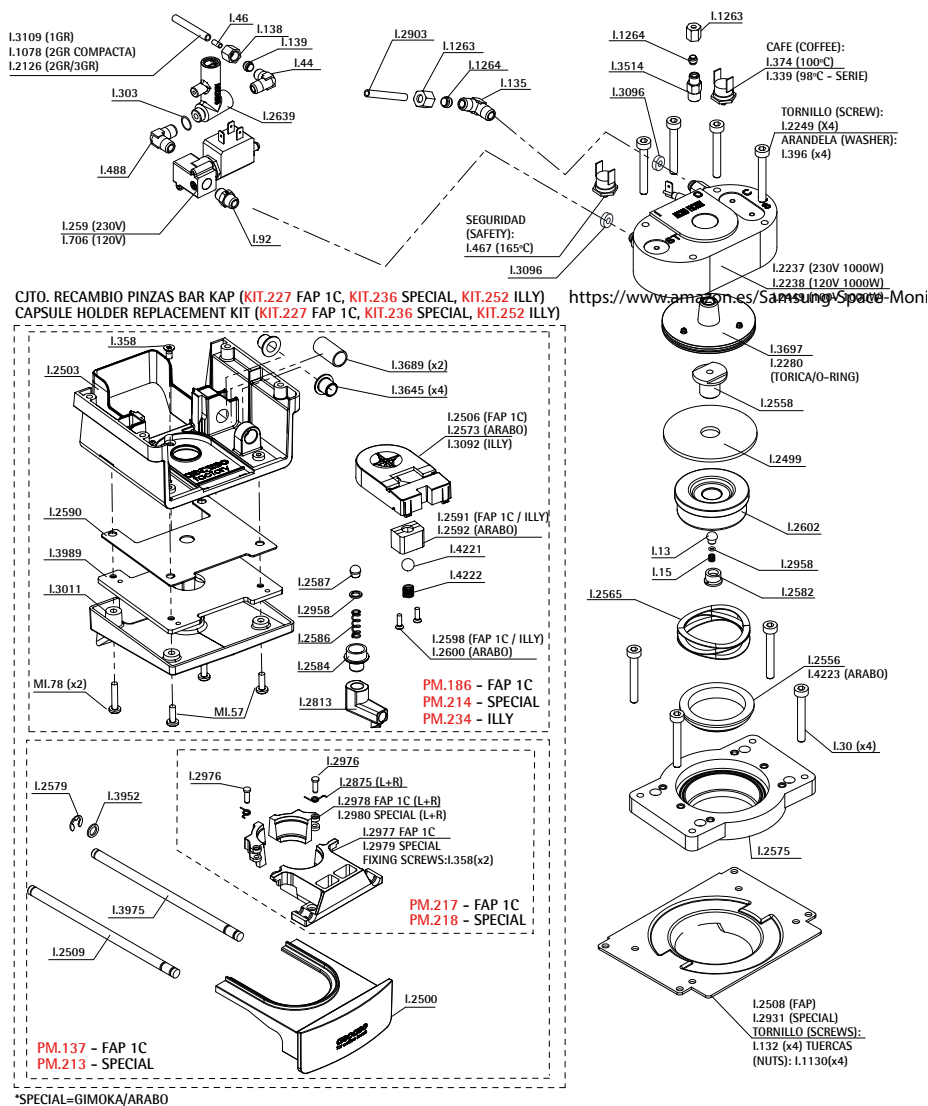
Carrocería Bar Kap Compacta ■ Bar Kap Compact Bodywork

REF.	DESCRIPCIÓN	DESCRIPTION
I..169	MICROINTERRUPTOR PALANCA	LEVER MICROSWITCH
I.1336	SOPORTE CENTRALITA BAR	BAR CONTROL BOARD SUPPORT
I.1337	COMPARTIMENTO DEPOSITO BAR 2 GR	2GR BAR TANK COMPARTMENT
I.1338	BASE CAJON BAR 2 GR	BAR DRAWER BASE
I.1340	CAJON DEPOSITO BAR 2 GR	2GR BAR TANK DRAWER
I.1679	COLUMNA BASE	BASE COLUMN
I.1776	TAPA TRASERA BAR 2 GR. COMPACTA	BACK LID BAR 2GR COMPACT
I.2861	CESTA CAJON CAPSULAS BAR KAP	DRAWER BAR KAP COMPACTA
I.3006	SOPORTE MICRO CAJON KAP	MICRO SUPPORT
I.3070	PIE INOX D60	INOX FOOT D60
I.3342	MONTANTE DERECHO BARISTA T	RIGHT SUPPORT BARISTA T
I.3343	MONTANTE IZQUIERDO BARISTA T	LEFT SUPPORT BARISTA T
I.3432	IMAN CAJON DEPOSITO	TANK DRAWER MAGNET
I.3454	SOPORTE IMAN CAJON DEPOSITO	TANK DRAWER MAGNET BRACKET
I.3465	SOPORTE MICRO BAR KAP	SUPPORT MICRO BAR KAP
I.3472	FRONTAL INTERMEDIO BAR KAP 2GR	INTERM. FRONT BAR KAP 2GR
I.3479	TAPA SUPERIOR BAR 2 GRUPOS 2016	UPPER LID BAR 2 GROUPS 2016
I.3497	BARANDILLA BAR 2GR 2016	RAILING BAR 2GR 2016
I.3498	TAPA LAT. DER. BAR DEPOSITO 2GR/3GR	RIGHT SIDE LID TANK BAR 2GR/3GR
I.3549	TAPA LATERAL DERECHA BARISTA T NEGRA	RIGHT SIDE LID BARISTA T BLACK
I.3550	TAPA LATERAL DERECHA BARISTA T BLANCA	RIGHT SIDE LID BARISTA T WHITE
I.3551	TAPA LATERAL DERECHA BARISTA T BRILLO	RIGHT SIDE LID BARISTA T SHINE
I.3552	TAPA LATERAL IZQUIERDA BARISTA T NEGRA	LEFT SIDE LID BARISTA T BLACK
I.3553	TAPA LATERAL IZQUIERDA BARISTA T BLANCA	LEFT SIDE LID BARISTA T WHITE
I.3554	TAPA LATERAL IZQUIERDA BARISTA T BRILLO	LEFT SIDE LID BARISTA T SHINE
I.3621	TAPA LAT. DER. BAR DEPOSITO INOX	RIGHT SIDE LID TANK BAR INOX
I.3693	TAPA TRAS. BAR 2GR COMPACTA INOX	REAR LID BAR 2GR COMP. INOX
I.3894	BANDEJA BAR 2 GRUPOS COMPACTA	BAR 2 GROUPS COMPACT TRAY
I.3895	REJILLA BAR 2 GRUPOS COMPACTA	COMPACT TRAY
I.4022	CAJON CAPSULA BAR KAP 2GR COMP.	BAR KAP 2GR COMPACT TRAY
I.4023	EMBELLECEDOR DERECHO BAR KAP	RIGHT TRIM BAR KAP 2016
I.4024	EMBELLECEDOR IZQUIERDO BAR KAP	LEFT TRIM BAR KAP 2016
I.4025	CARATULA BOTONERA BAR 2GR 2016	FRONTAL BAR 2GR 2016
I.4076	BASE BAR 2 GRUPOS COMPACTA	BASE - BAR 2GR COMPACT
I.4084	BASE MECANISMOS BAR KAP 2GR 2017	MECHANISM BASE BAR KAP 2GR
I.4463	FRONTAL INFERIOR DER. BAR KAP	1GR BAR KAP RIGHT LOWER FRONT
I.4464	FRONTAL INFERIOR IZQ. BAR KAP	1GR BAR KAP LEFT LOWER FRONT
I.4627	TOPE CAJON CAPSULAS BAR KAP	TOP BOX CAPSULE BAR KAP
MI..57	TORNILLO	SCREW





REF.	DESCRIPCIÓN	DESCRIPTION
I.169	MICROINTERRUPTOR PALANCA	LEVER MICROSWITCH
I.1336	SOPORTE CENTRALITA BAR	BAR CONTROL BOARD SUPPORT
I.1337	COMPARTIMENTO DEPOSITO BAR 3 GR	3GR BAR TANK COMPARTMENT
I.1338	BASE CAJON BAR 3GR	BAR DRAWER BASE
I.1340	CAJON DEPOSITO BAR 3 GR	3GR BAR TANK DRAWER
I.1679	COLUMNA BASE	BASE COLUMN
I.1328	BANDEJA BAR 3 GRUPOS	BAR 3 GROUPS TRAY
I.1329	REJILLA BAR 3 GRUPOS	COMPACT TRAY BAR 3GR
I.2860	CESTA CAJON CAPSULAS BAR KAP	DRAWER BAR KAP COMPACTA
I.3006	SOPORTE MICRO CAJON KAP	MICRO SUPPORT
I.3048	BARANDILLA BAR 3GR 2016	RAILING BAR 3GR 2016
I.3070	PIE INOX D60	INOX FOOT D60
I.3342	MONTANTE DERECHO BARISTA T	RIGHT SUPPORT BARISTA T
I.3343	MONTANTE IZQUIERDO BARISTA T	LEFT SUPPORT BARISTA T
I.3432	IMAN CAJON DEPOSITO	TANK DRAWER MAGNET
I.3454	SOPORTE IMAN CAJON DEPOSITO	TANK DRAWER MAGNET BRACKET
I.3465	SOPORTE MICRO BAR KAP	SUPPORT MICRO BAR KAP
I.3473	INTERM. INTERMEDIO BAR KAP 3GR	INTERM. FRONT BAR KAP 3GR
I.3480	TAPA SUPERIOR BAR 3 GRUPOS 2016	UPPER LID BAR 3 GROUPS 2016
I.3498	TAPA LAT. DER. BAR DEPOSITO 2GR/3GR	RIGHT SIDE LID TANK BAR 2GR/3GR
I.3515	TAPA TRASERA BAR 3 GR NEGRA	BACK LID BAR 3GR BLACK
I.3516	TAPA TRASERA BAR 3 GR BLANCA	BACK LID BAR 3GR WHITE
I.3517	TAPA TRASERA BAR 3 GR BRILLO	BACK LID BAR 3GR SHINE
I.3549	TAPA LATERAL DERECHA BARISTA T NEGRA	RIGHT SIDE LID BARISTA T BLACK
I.3550	TAPA LATERAL DERECHA BARISTA T BLANCA	RIGHT SIDE LID BARISTA T WHITE
I.3551	TAPA LATERAL DERECHA BARISTA T BRILLO	RIGHT SIDE LID BARISTA T SHINE
I.3552	TAPA LATERAL IZQUIERDA BARISTA T NEGRA	LEFT SIDE LID BARISTA T BLACK
I.3553	TAPA LATERAL IZQUIERDA BARISTA T BLANCA	LEFT SIDE LID BARISTA T WHITE
I.3554	TAPA LATERAL IZQUIERDA BARISTA T BRILLO	LEFT SIDE LID BARISTA T SHINE
I.3621	TAPA LAT. DER. BAR DEPOSITO INOX	RIGHT SIDE LID TANK BAR INOX
I.4023	EMBELLECEDOR DERECHO BAR KAP	RIGHT TRIM BAR KAP 2016
I.4024	EMBELLECEDOR IZQUIERDO BAR KAP	LEFT TRIM BAR KAP 2016
I.4077	BASE BAR 3 GRUPOS	BASE - BAR 3GR
I.4085	BASE MECANISMOS BAR KAP 3GR 2016	MECHANISM BASE BAR KAP 3GR
I.4170	CARATULA BOTONERA BAR 3GR 2016	FRONTAL BAR 3GR 2016
I.4202	CAJON CAPSULA BAR KAP 3 GR	BAR KAP 3GR TRAY
I.4463	FRONTAL INFERIOR DER. BAR KAP	1GR BAR KAP RIGHT LOWER FRONT
I.4464	FRONTAL INFERIOR IZQ. BAR KAP	1GR BAR KAP LEFT LOWER FRONT
I.4627	TOPE CAJON CAPSULA BAR KAP	TOP BOX CAPSULE BAR KAP
MI.57	TORNILLO	SCREW



REF.	DESCRIPCIÓN	DESCRIPTION
L.13	VALVULA SILICONA	SILICONE VALVE
L.15	MUELLE VALVULA RETENCION	RETENTION VALVE SPRING
L.30	TORNILLO FIJACION INTERCAMBIADOR	SCREW
L.44	RACOR CODO	ELBOW FITTING
L.46	REFUERZO TUBO	PIPE REINFORCEMENT
L.92	MACHON 1/8"	FITTING MALE
L.132	TORNILLO M5x8 INOX	DREAM FIXATION SCREW
L.135	RACOR CODO 1/2"	1/8 ELBOW FITTING
L.138	TUERCA BICONO	BICONE NUT
L.139	BICONO DE 6	BICONE
L.259	ELECTROVALVULA PASO 1.5 220V	220V 3 WAY SOLENOID
L.303	TORICA S-2	S-2 RING
L.339	TERMOSTATO 98°	98° THERMOSTAT
L.358	TORNILLO PORTADUCHA INOX	INOX SCREW
L.374	TERMOSTATO 100°	100° THERMOSTAT
L.396	ARANDELA DENTADA M-5	M-5 DENTATE WASHER
L.467	TERMOSTATO SEGURIDAD M4 165°	M4 165° SAFETY THERMOSTAT
L.488	RACOR CODO 1/8 M-H	1/8 M-H ELBOW FITTING
L.706	ELECTROVALVULA PASO 1.5 110V	120V 3 WAYS SOLENOID
L.1078	TUBO TEFLON 4x6 (200mm)	TEFLON PIPE 4x6 (200mm)
L.1130	TUERCA CON ARANDELA M5 INOX	NUT M5
L.1263	TUERCA BICONO 4	BICONE NUT 4
L.1264	BICONO 4	BICONE 4
L.1216	TUBO TEFLON 4x6 (400mm)	TEFLON PIPE 2x4 (400mm)
L.2237	GRUPO INTERCAMBIADOR INOX 230V	230V INOX THERMOBLOCK
L.2238	CJTO INTERC. INOX. 1000W 120V	THERMOBLOCK INOX. 1000W 120V
L.2249	TORNILLO ALLEN 5x50MM DIN912 I	INOX DIN912 5x50 SCREW
L.2280	TORICA MOLDO 89.57x1.78 EPDM	GASKET
L.2449	CJTO. INTERCAMBIADOR INOX 1000W 100V	THERMOBLOCK INOX 1000W 100V
L.2499	MEMBRANA KAP	SILICONE WASHER KAP
L.2500	CARRO GRUPO AUTOMATICO CAPSULA	BAR CAPSULE AUT. BREWING UNIT
L.2503	SOPORTE G.AUT. CAPSULA BAR KAP	BAR CAPSULE AUT. BREWING UNIT SUPPORT
L.2508	RAMPA CAPSULA FAP	CAPSULE AUT. BREWING UNIT SINGLE SUPPORT
L.2508	PLANCHA SOPORTE BAR GRUPO AUTO	BAR CAPSULE AUT. BREWING UNIT SUPPORT PLATE
L.2509	PISTON GRUPO AUTOMATICO CAPSUL	CAPSULE BREWING UNIT PISTON
L.2556	CASQUILLO SOPORTE MUELLE G.CAP	WASHER SPRING SUPPORT
L.2558	CUERPO VALVULA RETENCION KAP	VALVE FITTING FOR CAPSULE BREW
L.2565	MUELLE EMBOLO GRUPO CAPSULA AU	PISTON SPRING FOR CAPSULE BREW
L.2573	KAP ARABO CAPSULA SUPPORT	KAP ARABO CAPSULE SUPPORT
L.2575	CAMARA COMPRESION KAP	KAP PISTON SUPPORT
L.2579	ARANDELA SEGURIDAD DIN6799 3.2	DIN6799 WASHER 3.2mm
L.2582	TUERCA VALVULA RETENCION KAP	KAP RETENTION VALVE NUT
L.2584	CIERRE S. CREMA KAP	EXTRA CREAM STOP KAP
L.2586	MUELLE SUPER CREMA KAP	SPRING
L.2587	VALVULA S. CREMA KAP	VALVE
L.2590	JUNTA SALIDA CAFE BAR KAP/KAP	OUTPUT GASKET COFFEE BAR KAP
L.2591	ALOJAMIENTO TOPE EXPULSION 1C	SUPPORT 1C
L.2592	ALOJAMIENTO EXPULSION 1CA	ALOJAMIENTO EXPULSION 1CA
L.2598	TORNILLO DIN-965 M3X10 INOX	SCREW DIN-965 M3X10
L.2602	EMBOLO GRUPO CAPSULA (MUELLE)	UPPER GROUP PART
L.2639	BY-PASS ASCASO	BY-PASS ASCASO
L.2813	SALIDA CAFE KAP/ BAR KAP	COFFEE EXIT KAP/ BAR KAP
L.2875	MUELLE PINZA CAFFITALY	PLIERS SPRING CAFFITALY
L.2903	TUBO TEFLON 2x4 (170mm)	TEFLON PIPE 2x4 (170mm)
L.2931	PLANCHA SOPORTE BAR G. AUT. ARABO	SUPPORT PLATE BAR G. AUT. ARABO
L.2958	ARANDELA APOY	SUPPORT WASHER
L.2976	EJE GIRO PINZAS	PLIERS SPIN AXLE
L.2977	BASE PINZA FAP	FAP PLIERS BASE
L.2978	PINZA MOVIL FAP	MOBILE PLIERS FAP
L.2979	BASE PINZA ESPECIAL	SPECIAL PLIER BASE
L.2980	PINZA ESPECIAL	MOBILE PLIER SPECIAL
L.3011	VIERTE AGUAS ZAMAK CROMADO	WATER DUMPER ZAMAK
L.3092	RAMPA CAPSULA ILLY	CAPSULE RAMP ILLY
L.3096	JUNTA INTERCAMBIADOR	HEAT EXCHANGER GASKET
L.3109	TUBO TEFLON 4x6 (300mm)	TEFLON PIPE 2x4 (300mm)
L.3514	RACOR CONEXION SOLO CAFE	COFFEE CONNECTOR FITTING
L.3645	COJIN DE GUIA KAP/ BAR KAP	KAP/ BAR BEARING GUIDE
L.3689	TUBO TEFLON 12x10 L=24.5	TEFLON PIPE 12x10 L=24.5
L.3697	TAPETA NUEVO INTERCAMBIADOR LATON	EXCHANGER NEW LID BRASS
L.3952	ARANDELA GUIA PISTON BAR KAP	PISTON GUIDE WASHER FOR KAP/ BAR KAP
L.3975	PISTON G.AUT. CAPSULA LARGO	CAPSULE BREWING UNIT LONG PISTON
L.3989	CHAPA REFUERZO GRUPO BAR/KAP	SUPPORT GROUP BAR/KAP
L.4221	BOLA DIAM. 8.5MM AISI 316	BALL DIAM 8.5MM AISI 316
L.4222	MUELLE BOLA ANTIRETORNO KAP/ BAR KAP	SPRING
L.4223	CASQUILLO SOP. MUELLE GRUPO CAPSULA D.32	WASHER SPRING SUPPORT D.32
KIT227	KIT CAMBIO PINZAS BAR KAP FAP 1C	BAR KAP CLIP CHANGE KIT FAP 1C
KIT236	KIT CAMBIO PINZAS BAR KAP ESPECIAL	BAR KAP CLIP CHANGE KIT SPECIAL
KIT252	KIT CAMBIO PINZAS BAR KAP ILLY	BAR KAP CLIP CHANGE KIT ILLY
MI.57	TORNILLO M4X12	M4X12 SCREW
MI.78	TORNILLO M4X20	M4X20 SCREW
PM.137	CARRO GRUPO BAR KAP	BAR KAP GROUP CAR WHOLE
PM.186	SOPORTE CARRO CAPSULA 1 CAFE	CAPSULE 1 COFFEE SUPPORT
PM.213	CARRO GRUPO BAR KAP CAPSULA	BAR KAP CAPSULE GROUP CHARIOT
PM.214	SOPORTE CARRO CAPSULA ESPECIAL	SPECIAL CAPSULE CHARIOT SUPPORT
PM.217	PINZA FAP COMPLETA	PINZA FAP COMPLETA
PM.218	PINZA ESPECIAL COMPLETA	COMPLETE SPECIAL PLIER
PM.234	SOPORTE CARRO CAPSULA ILLY	CAPSULE ILLY SUPPORT

5

Caldera Bar Kap ■ Bar Kap Boiler

ASCASO

REF.	DESCRIPCIÓN	DESCRIPTION
ESC206	CALDERA AGUA-VAPOR BAR 120V	230V BAR WATER-STEAM
ESC306	CALDERA AGUA-VAPOR BAR 230V	230V BAR WATER-STEAM
I...32	TE INTERMEDIA NIQUEL QUIMICO	CENTRAL FITTING
I..135	RACOR CODO 13280	1/8 ELBOW FITTING
I..276	TUERCA M8	M8 NUT
I..488	RACOR CODO 1/8 M-H	1/8 M-H ELBOW FITTING
I..985	SONDA BAR COMPLETA 120mm	120mm LEVEL PROBE
I..990	VALVULAVACIO1/4	1/4 EMPTY VALVE
I..991	VALVULA SEGURIDAD BAR	BAR SAFETY VALVE
I..994	TERMOSTATO SEGURIDAD	SAFETY THERMOSTAT
I.1036	TORNILLO FIJACION CALDERA	BOILER FIXED SCREW
I.1049	RACOR CODO 5020 1/4	BEND FITTING 5020 1/4
I.1050	RACOR CODO 13280 6 1/4	BEND FITTING 13280 6 1/4
I.1051	PROLONGACION 2070 1/4 1/4	EXTENSION 2070 1/4 1/4
I.1059	RACOR RECTO	FITTING STRAIGHT
I.1061	GRIFO BOLA 1/4m-1/4h BAR	BAR SOLENOID BALL M/H
I.1143	RECOGE AGUA CALDERA BAR	BAR TRAY WATER BOILER
I.1226	CALDERA BAR 154X230	154X230 BAR BOILER
I.1227	TORICA 37.69 X 3.53 SILICONA	SILICONE RING 37.69 X 3.53
I.1228	RESISTENCIA 1200w BAR 230V INO	BAR CLASP RESISTANCE 230V
I.1229	RESISTENCIA BAR BRIDA 120V	BAR CLASP RESISTANCE 120V
I.1269	RACOR TERMOSTATO DE SEGURIDAD	BAR BOILER SAFETY THERMOSTAT F
I.1617	PRESOSTATO REGULABLE (0.5/1.5	(0.5/1.5 BAR) ADJUSTABLE PRESS
I.1644	RACOR CODO TUBO 8 MM NIQUEL 1	NECKEL 8MM TUBE ELBOW FITTING
I.2642	TUBO COBRE 1/8 1/8	1/8 1/8 COOPER TUBE
I.2827	REDUCTOR CILINDRICO1/4 1/8	CLINDRIC RECUDER 1/4 1/8
I.4577	TUBO PESCA CALDERA BAR	BAR BOILER FISHING TUBE

ESC.306 (230V)
ESC.206 (120V)

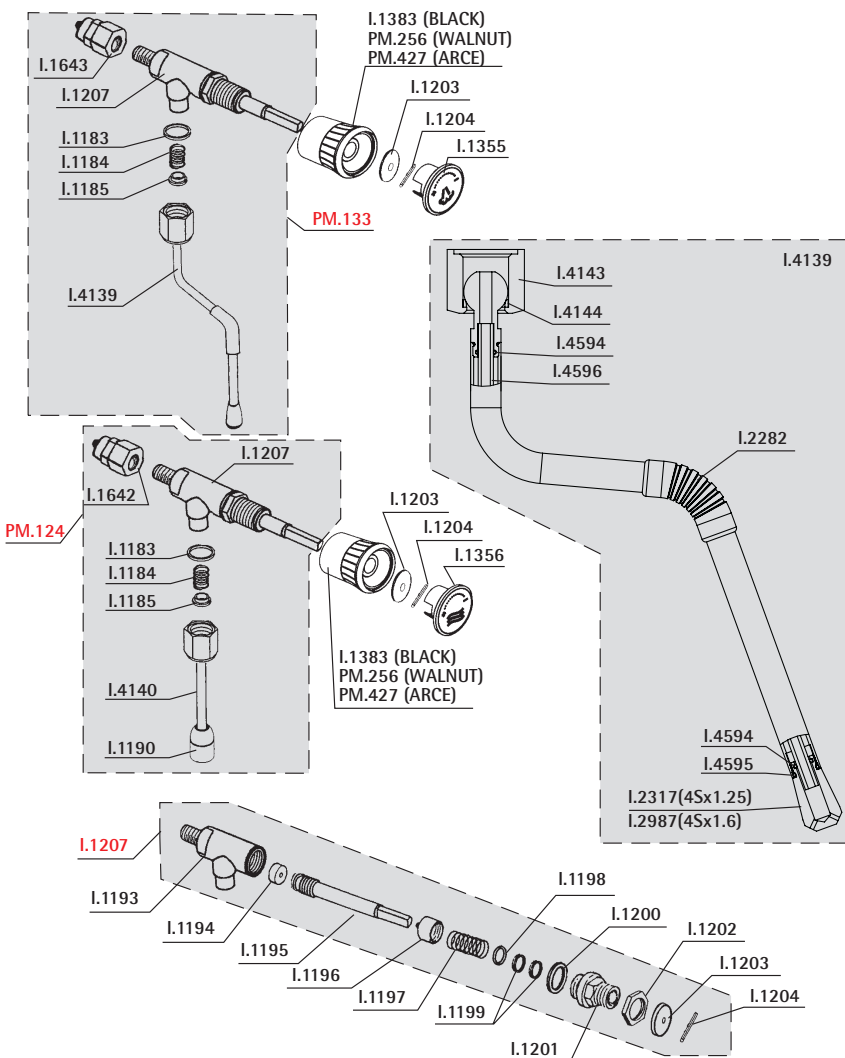
6

Entrada Agua Bar KAP ■ Bar KAP Water Inlet

ASCASO

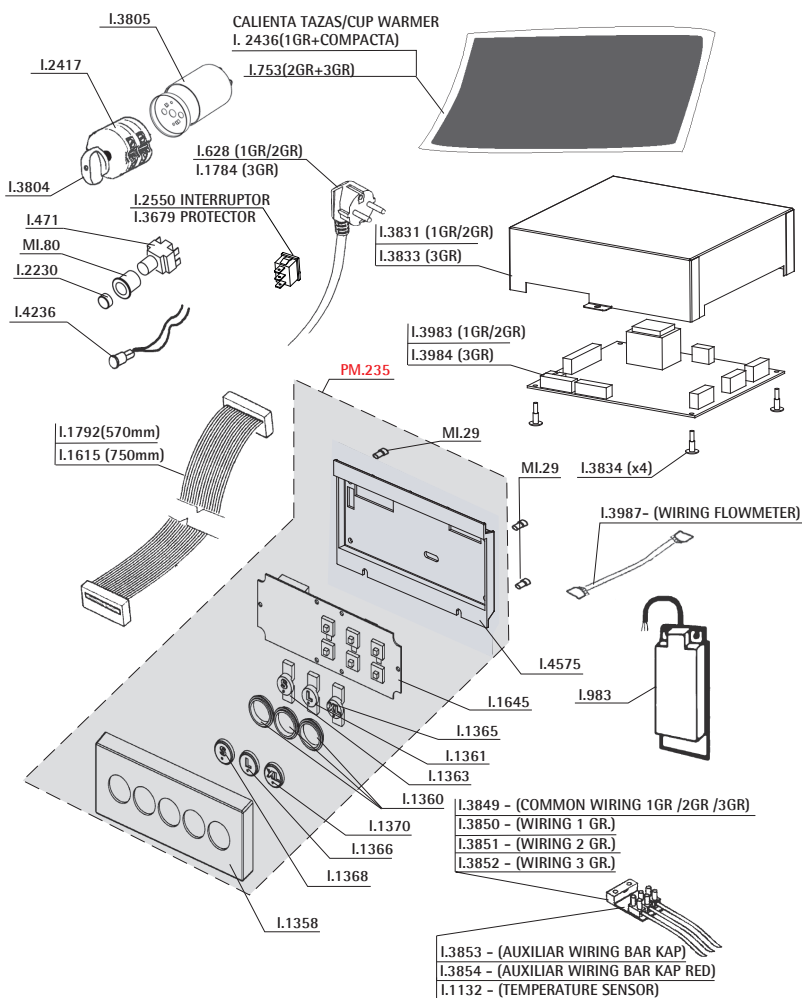
REF.	DESCRIPCIÓN	DESCRIPTION
I...39	RODILLO LEVA INOX	LEVER ROLLER
I..45	RACOR RECTO	STRAIGHT FITTING
I..71	PIPETA ASPIRACION	SUCTION FITTING
I..84	SOPORTE BOMBA 90°	90° PUMP SUPPORT
I..90	RACOR CODO MACHO 1/8 LATON	FITTING
I..269	BOMBA 230/240V 60Hz	220V/60Hz PUMP
I..292	BOMBA CP4SP PLUS 230/240V 50Hz	230V 50Hz PUMP
I..303	TORICA S-2	RING S-2
I..675	BOMBA 110/120V 60 Hz	110/120V 60Hz PUMP
I..987	VASCHETTA NIVEL AGUA	BAR WATER DRAIN
I..996	DEPOSITO 5L. BAR	5L BAR TANK
I..997	DEPOSITO 10L. BAR	10L BAR TANK
I.1042	RACORD ENTRADA DIA. 10	INLET FITTING D-10
I.1043	TUBO DIA. 16 (Mts) NEGRO ALIMENT.	D-16 PIPE
I.1045	RACOR SALIDA	OUTLET FITTING
I.1046	RACOR ASPIRACION	SUCTION FITTING
I.1066	ABRAZADERA DIAM. 12 a 22mm	CLAMP DIAM 12
I.1068	TUBO DESAGUE	DRAIN PIPE
I.1069	FLEXO CONEXION A RED	WATER NET FLEXO PIPE
I.1070	ABRAZADERA DIAM. 10 a 16mm	CLAMP DIAM 12
I.1075	TUBO SILICONA 5X8 (350mm)	SILICONE PIPE 5X8 (340mm)
I.1080	TUBO SILICONA 5X8 (500mm)	SILICONE PIPE 5X8 (500mm)
I.1087	TUBO SILICONA 5X8 (300mm)	SILICONE PIPE 5X8 (300mm)
I.1090	TUBO SILICONA 5X8 (440mm)	SILICONE PIPE 5X8 (440mm)
I.1622	MANOMETRO CALDERA 2.5 BAR	BOILER MANOMETER 2.5 BAR
I.2108	TUBO SILICONA 5X8 (220mm)	SILICONE PIPE 5x8 (220mm)
I.2109	TUBO SILICONA 5X8 (120mm)	SILICONE PIPE 5X8 (120mm)
I.2313	ELECTROV. ENTRADA AGUA BAR 120V	SOLENOID WATER ENT. BAR 120V
I.2491	BOMBA ARS ALTO CAUDAL CP6 230V	HIGH FLOW ARS PUMP
I.2560	CONTADOR VOLUMETRICO FHKSC	FHKSC FLOWMETER
I.2610	RACOR CONEXION MANGUERA 8x1/8	HOSEPIPE RACORD CONECTION
I.2826	TUBO FLEXIBLE 250MM 1/8"Hx1/8"H	FLEXO (FF 1/8 250MM)
I.3002	RACOR BOMBA	PUMP FITTING
I.3074	ELECTROV. ENTRADA AGUA BAR 230V	SOLENOID WATER ENT. BAR 230V
I.3205	CAZOLETA DESAGÜE	WATER DRAIN
I.3221	DRAIN PROTECTOR BARISTA T	WATER DRAIN COLLECTOR
I.3644	JUNTA TORICA 40x1.5 NBR	O-RING 40x1.5 NBR
I.3875	JUNTA GOMA 3/4	RUBBER GASKET 3/4
I.3876	FLEXO CODO H 3/4 - H 3/8 x 150	METALLIC FLEXO F3/4 - F3/8 x 150
I.4044	SUPLEMENTO CAZOLETA DESAGÜE	DRAIN PROTECTOR BARISTA T
I.4152	TUBO DESAGÜE D18	DRAIN PIPE
I.4549	PROTECTOR DESAGÜE BARISTA T	O-RING 68x2 SILICONA
MI..57	TORNILLO M4X12	M4X12 SCREW
MI.204	TORNILLO M4x10 INOX	SCREW M4x10
PM..68	CONJUNTO BOMBA GRUPO BAR 230V	220V BAR GROUP PUMP WHOLE
PM..69	CONJUNTO BOMBA GRUPO BAR 120V	110V BAR GROUP PUMP WHOLE
PM..70	CONJUNTO REGULADOR BAR	BAR REGULATOR WHOLE
PM.184	CONJUNTO BOMBA CALDERA 230V	BOILER PUMP ONE/KAP/PF 230V
PM.185	CONJUNTO BOMBA CALDERA 120V	BOILER PUMP ONE/KAP/PF 120V
PM.290	CJTO DESAGÜE BAR / BAR KAP	DRAIN ASSEMBLY BAR / BAR KAP

ASCASO



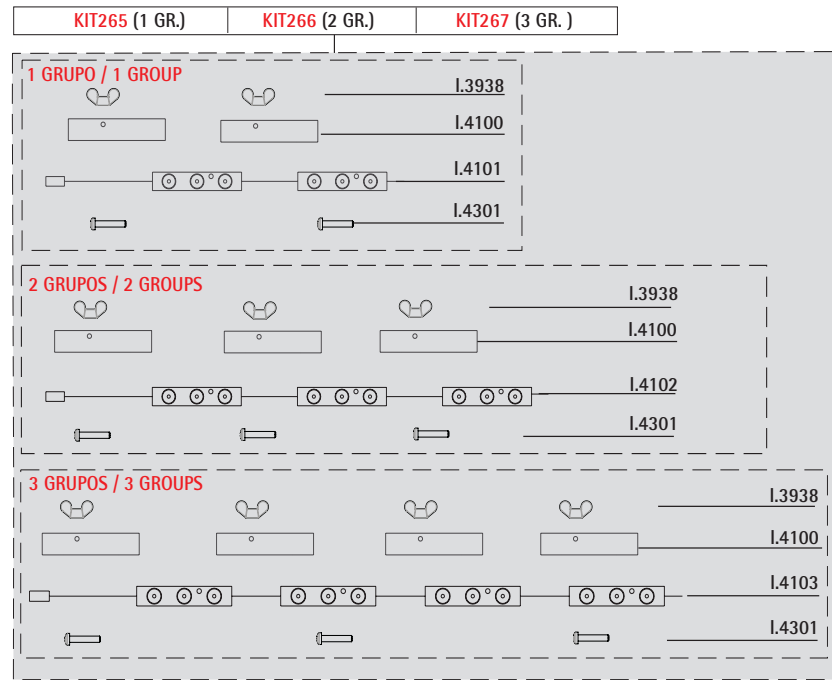
REF.	DESCRIPCIÓN	DESCRIPTION
I.1183	ARANDELA GRIFO AGUA	WATER TAP WASHER
I.1184	MUELLE GRIFO SALIDA VAPOR-AGUA	STEAM-WATER OUTLET TAP SPRING
I.1185	GUIA MUELLE GRIFO AGUA	SPRING GUIDE WATER TAP
I.1186	TUERCA TUBO SALIDA VAPOR-AGUA	STEAM WATER OUTLET PIPE NUT
I.1190	SALIDA GRIFO AGUA	WATER TAP OUTLET
I.1193	CUERPO GRIFO	TAP BODY
I.1194	TACO GRIFO	TAP GASKET
I.1195	EJE GRIFO	TAP ROD
I.1196	ALOJAMIENTO TACO GRIFO	TAP HOLDER LODGING
I.1197	MUELLE EJE GRIFO	TAP ROD SPRING
I.1198	GUIA MUELLE EJE GRIFO	SPRING GUIDE ROD TAP
I.1199	JUNTA EJE GRIFO	ROD TAP GASKET
I.1200	ARANDELA COBRE GRIFO	TAP COPPER WASHER
I.1201	RACOR GRIFO	TAP FITTING
I.1202	TUERCA GRIFO	TAP NUT
I.1203	ARANDELA GRIFO	TAP COPPER
I.1204	PASADOR GRIFO	TAP PIN
I.1207	GRIFO VAPOR-AGUA N. QUIMICO	STEAM-WATER TAP
I.1355	TAPA POMO VAPOR	STEAM HANDLE LID
I.1356	TAPA POMO AGUA	WATER HANDLE LID
I.1383	POMO GRIFO VAPOR/AGUA BARISTA	BARISTA WATER/STEAM TAP HANDLE
I.1397	TUBO VAPOR INOX ANTICALORICO	ANTICALORIC INOX STEAM PIPE
I.1642	RACOR 6/4 1/4 NIQUEL	INJECTOR FITTING
I.1643	RACOR GRIFO VAPOR NIQUEL	NECKEL STEAM TAP FITTING
I.1651	TUBO AGUA INOX ANTICALORICO	ANTICALORIC INOX WATER PIPE
I.2282	PROTECTOR TUBO VAPOR BARISTA	BARISTA STEAM PIPE PROTECTOR
I.2317	SALIDA VAPOR BARISTA (4xD1.25)	STEAM OUTLET BARISTA (4xD1.25)
I.2987	SALIDA VAPOR BARISTA (4xD1.6)	STEAM OUTLET BARISTA (4xD1.6)
I.4139	TUBO VAPOR INOX BAR/BARISTA PTFE	INOX STEAM PIPE BAR/BARISTA PTFE
I.4140	TUBO AGUA INOX ANTICALORICO PTFE	INOX WATER PIPE PTFE
I.4143	TUERCA TUBO VAPOR/AGUA PTFE	NUT STEAM/ WATER PTFE
I.4144	JUNTA TEFLON TUBO VAPOR/AGUA PTFE	TEFLON GASKET STEAM/ WATER PTFE
I.4594	JUNTA SILICONA D4.7X1.15 I.4139	SILICON O-RING D4.7X1.15 I.4139
I.4595	JUNTA SILICONA D6X1 I.4139	SILICON O-RING D6X1 I.4139
I.4596	TUBO PTFE 5x3x210 I.4139	PTFE PIPE 5X3X210 I.4139
PM.124	GRIFO AGUA BAR ONE/PF/KAP	BAR WATER TAP WHOLE
PM.133	GRIFO VAPOR BAR	BAR STEAM TAP WHOLE
PM.256	POMO GRIFO MADERA BARISTA COMPLETO NOGAL	SET TAP HANDLE WALNUT BARISTA
PM.427	POMO GRIFO MADERA BARISTA COMPLETO ARCE	SET TAP HANDLE MAPLE BARISTA

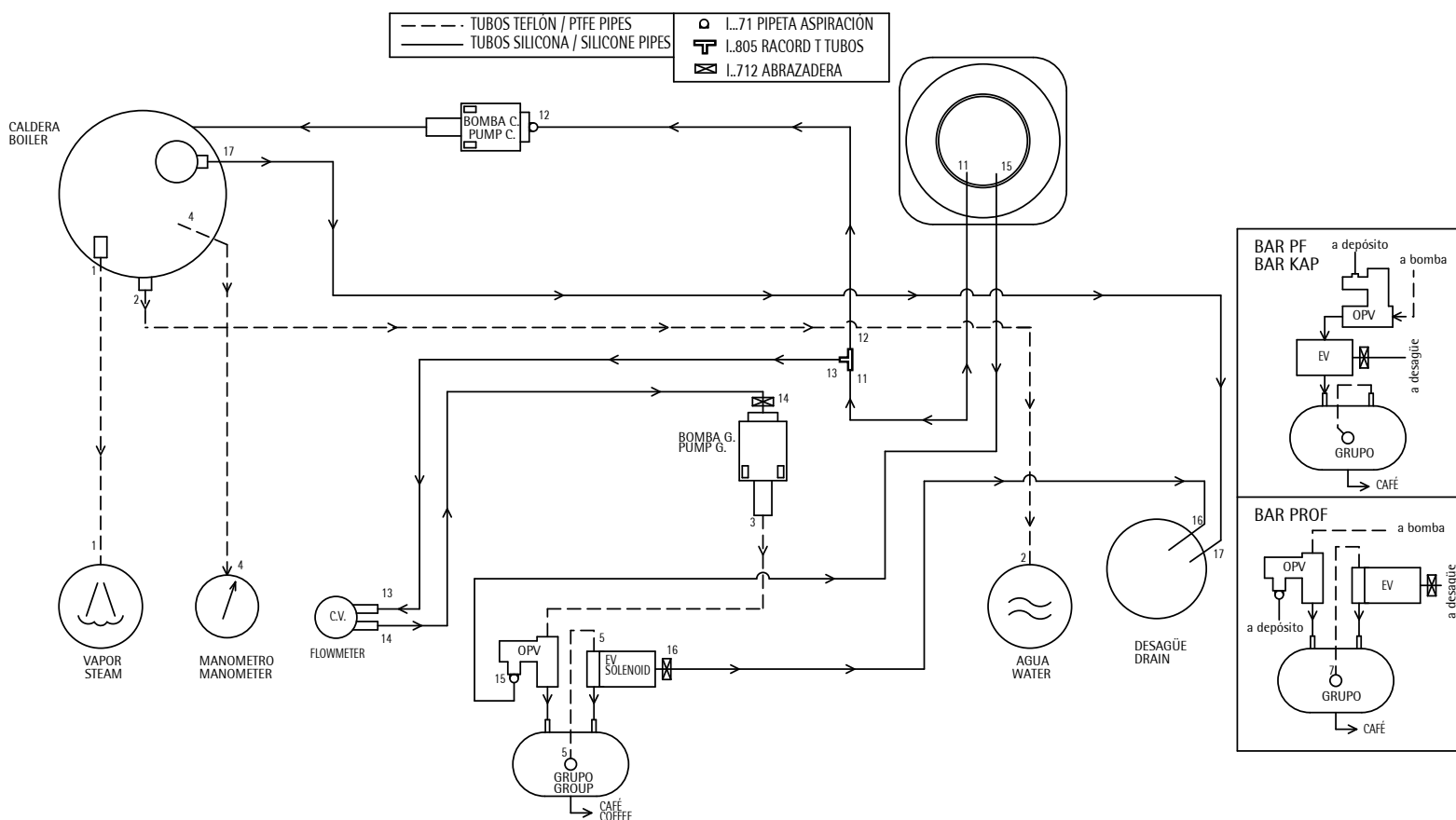
Componentes eléctricos BAR KAP ■ BAR KAP electric components



REF.	DESCRIPCIÓN	DESCRIPTION
I.471	INTERRUPTOR UNIPOLAR	UNIPOLAR SWITCH
I.628	CABLE RED STEEL 1.5 HOMOLOGADO	STEEL WIRING
I.753	RESIST. CALIENTA TAZAS BAR 2GR	RESIST. CUPWARMER BAR 2GR
I.1132	SONDA TEMPERATURA NTC MF58	TEMPERATURE PROBE PTP-51F
I.1236	PILOTO AZUL 230V.	PILOT BLUE 230V.
I.1358	CAJA BOTONERA	DOSING DEVICE BOX
I.2496	TAPA CAJA BOTONERA	DOSING DEVICE BOX LID
I.1360	EMBELLECEDOR BOTONERA	DOSING DEVICE PROTECTOR
I.1361	INTERRUPTOR L	SWITCH L
I.1363	INTERRUPTOR S	SWITCH S2
I.1365	INTERRUPTOR XL	SWITCH XL
I.1366	TECLA L	L BUTTON
I.1368	TECLA S	S BUTTON
I.1370	TECLA XL	XL BUTTON
I.1615	CABLE BOTONERA GRUPO DERECHO 7	750mm RIGHT GROUP D. DEVICE
I.1784	CABLE RED 3 CONDUCTORES + TIERRA	230V BARISTA WIRING
I.1792	CABLE BOTONERA GRUPO IZQUIERDO	570mm LEFT GROUP D. DEVICE
I.2230	BOTON TECLA ON/OFF	ON/OFF KEY
I.2417	INTERRUPTOR BAR 3 POSICIONES	THREE POSITIONS BAR SWITCH
I.2436	RESIST. CALIENTA TAZAS BAR 1GR	RESIST. CUPWARMER BARISTA 1GR
I.2496	TAPA CAJA BOTONERA	DOSING DEVICE BOX LID
I.2550	INTERRUPTOR LEDS	LEDS SWITCH
I.3474	CENTRALITA GAMA BAR 2016 1-2 GRUPOS	ELECTRONIC BOX BAR 2016 1-2 GR
I.3679	PROTECTOR PVC INTERRUPTOR	PVC SWITCH PROTECTOR
I.3800	CENTRALITA GAMA BAR 2016 3 GRUPOS	ELECTRONIC BOX BAR 2016 3 GR
I.3804	MARCO + MANDO INTERRUPTOR BAR	BAR SWITCH FRAME + CONTROL
I.3805	PROTEC. INTERRUPTOR ROTATIVO BAR	BAR ROTATING SWITCH PROTEC.
I.3831	TAPA CENTRALITA BAR 1GR/2GR 2016	CIRCUIT COVER BAR 1GR/2GR 2016
I.3833	TAPA CENTRALITA BAR 3GR 2016	CIRCUIT COVER BAR 3GR 2016
I.3834	SOPORTE CIRCUITO ELECTRONICO BAR	ELECTRONIC CIRCUIT COVER BAR
I.3848	CABLE CONTADOR VOL. BAR 2016	FLOWMETER WIRING BAR 2016
I.3849	CJTO CABLEADO BAR 1/2/3 GR. 2016	WIRING BAR 1/2/3 GR. 2016
I.3850	CJTO CABLEADO BAR 1 GR. 2016	WIRING BAR 1 GR. 2016
I.3851	CJTO CABLEADO BAR 2 GR. 2016	WIRING BAR 2 GR. 2016
I.3852	CJTO CABLEADO BAR 3 GR. 2016	WIRING BAR 3 GR. 2016
I.3853	CONECTOR AUXILIAR BAR KAP 2016	CONNECTOR AUXILIAR BAR KAP 2016
I.3854	CONECTOR AUXILIAR BAR KAP RED 2016	CONNECTOR AUX. BAR KAP RED
MI.29	TORNILLO	RUBBER RING
MI.80	SOPORTE CROMADO	MICRO SUPPORT
PM.235	BOTONERA BAR / BAR KAP	BAR / BAR KAP DOSING DEVICE

REF.	DESCRIPCIÓN	DESCRIPTION
I..398	TUERCA AUTOBLOCANTE M3 INOX	M3 NUT
I.2284	TRANSF. LED BARISTA 230V (DC12V/18W)	230V (DC12V/18W)BARISTA LED TRANSF.
I.3476	TAPA LED BARISTA RAISED 2015	BARISTA RAISED 2015 CAP LED
I.4101	ILUMINACION BAR 1GR	LIGHTING BAR 1GR
I.4102	ILUMINACION BAR 2GR	LIGHTING BAR 2GR
I.4103	ILUMINACION BAR 3GR	LIGHTING BAR 3GR
KIT265	KIT LED BAR 1GR	1GR BAR LED KIT
KIT266	KIT LED BAR 2GR	2GR BAR LED KIT
KIT267	KIT LED BAR 3GR	3GR BAR LED KIT



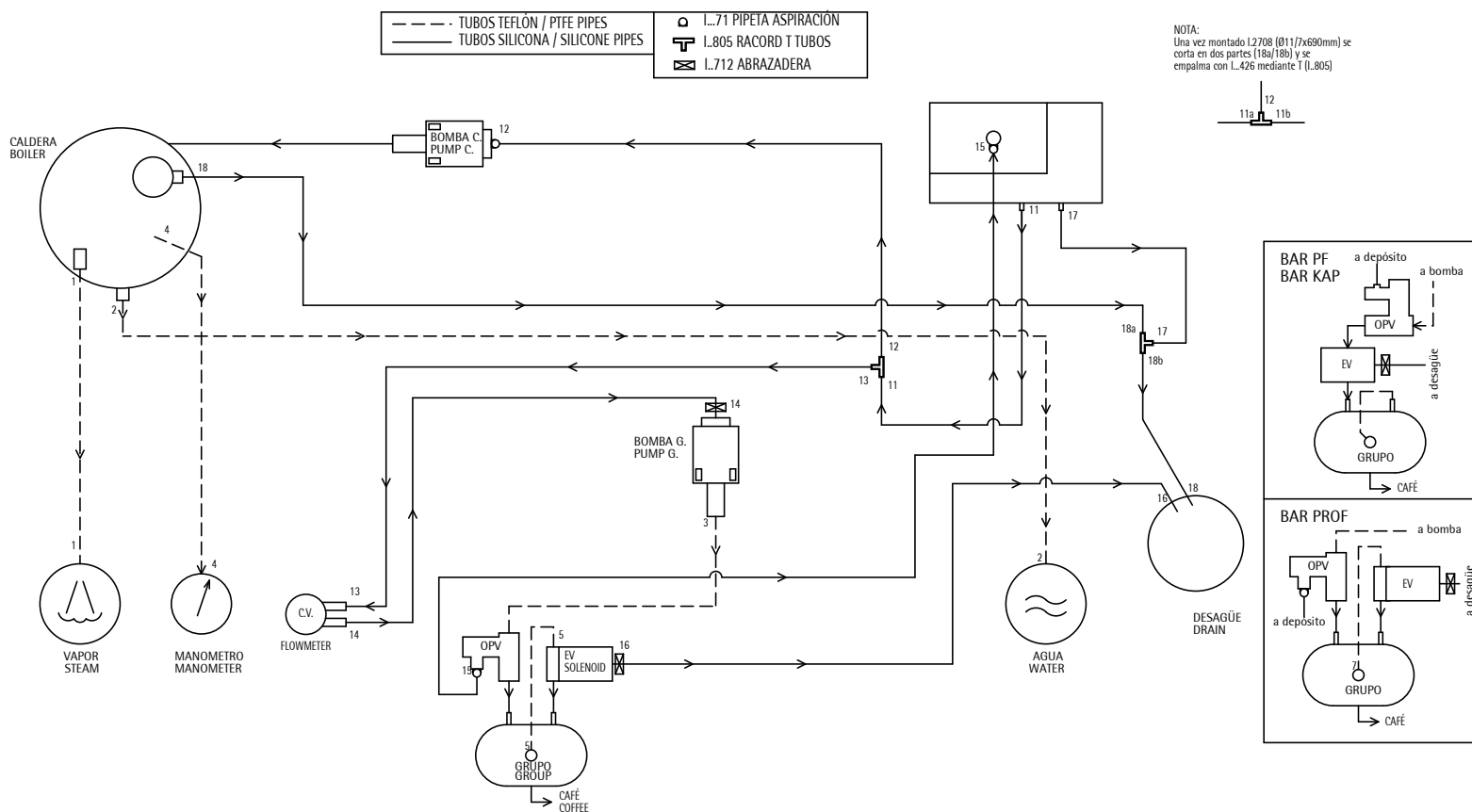


TUBOS TEFLÓN / PTFE PIPES

1. L.3720 (Ø6/8x290mm)
2. L.4544 (Ø4/6x760mm)
3. L.2136 (Ø4/6x220mm)
4. L.1074 (Ø2/4x500mm)
5. ESC426 (L.2903 - Ø2/4x170mm)

TUBOS SILICONA / SILICONE PIPES

- | | |
|-------------------------|--------------------------|
| 11. L.1090 (Ø5/8x440mm) | 15. L.739 (Ø5/8x600mm) |
| 12. L.426 (Ø5/8x370mm) | 16. L.739 (Ø5/8x600mm) |
| 13. L.1090 (Ø5/8x440mm) | 17. L.2708 (Ø7/11x690mm) |
| 14. L.2108 (Ø5/8x220mm) | |

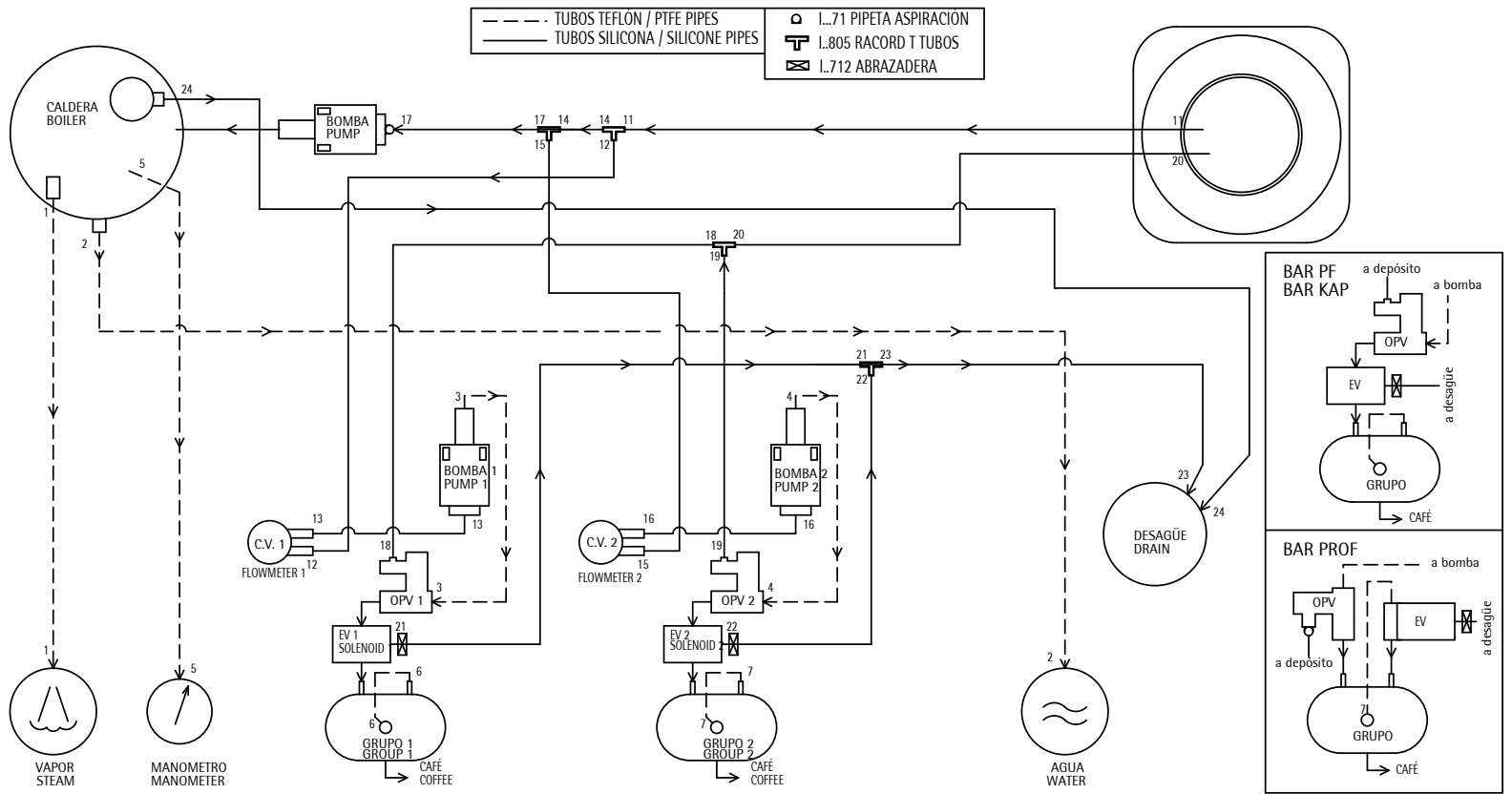


TUBOS TEFLÓN / PTFE PIPES

1. L.3720 (Ø6/8x290mm)
2. L.4544 (Ø4/6x760mm)
3. L.2136 (Ø4/6x220mm)
4. L.1074 (Ø2/4x500mm)
5. ESC426 (L.2903 - Ø2/4x170mm)

TUBOS SILICONA / SILICONE PIPES

- | | |
|-------------------------|--------------------------|
| 11. L.426 (Ø5/8x370mm) | 15. L.739 (Ø5/8x600mm) |
| 12. L.1087 (Ø5/8x300mm) | 16. L.739 (Ø5/8x600mm) |
| 13. L.1087 (Ø5/8x300mm) | 17. L.426 (Ø5/8x370mm) |
| 14. L.2108 (Ø5/8x220mm) | 18. L.2708 (Ø7/11x690mm) |

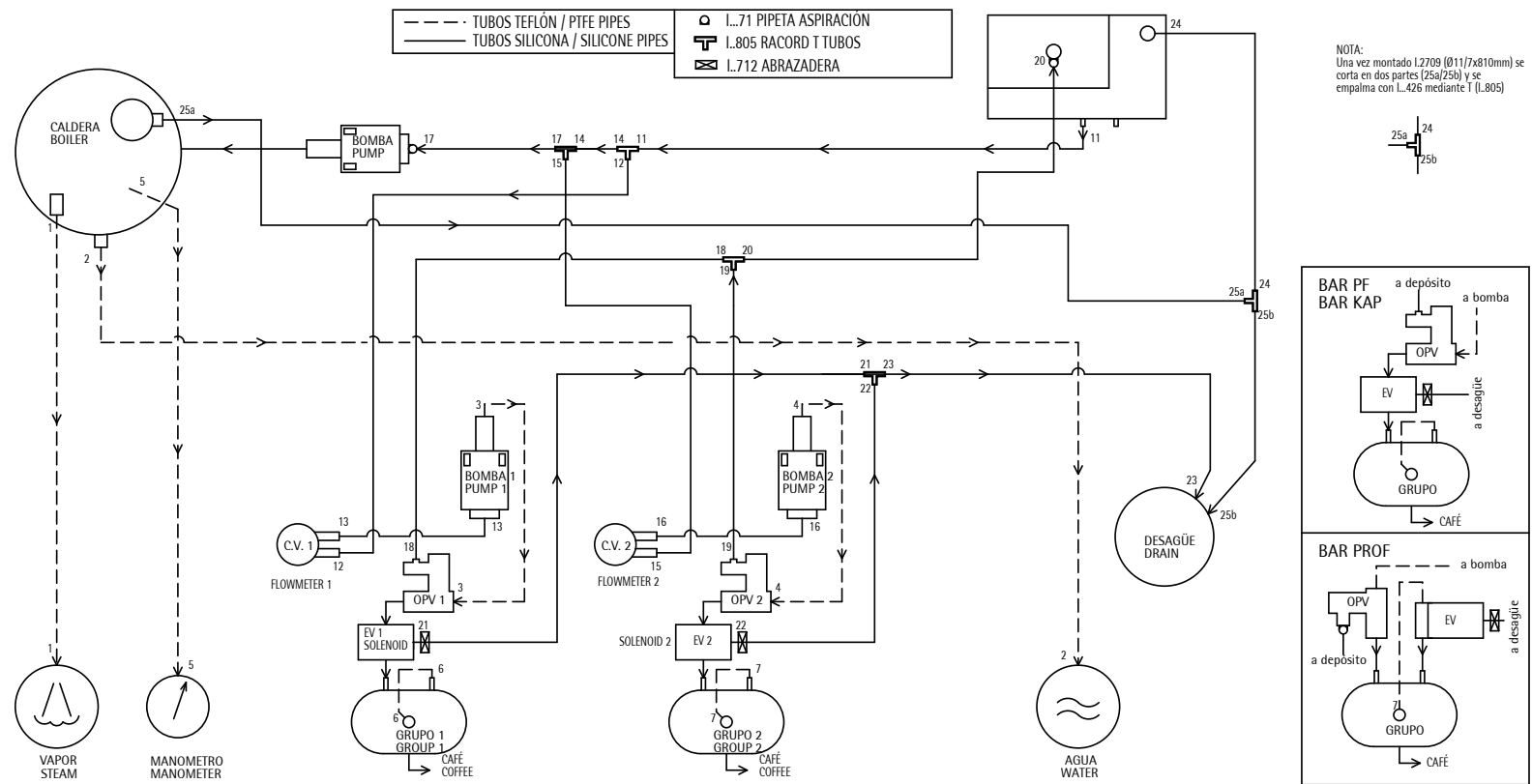


TUBOS TEFLÓN / PTFE PIPES

- 1. I.3720 - 6x8 (290mm)
- 2. I.4545 - 4x6 (830mm)
- 3. I.1078 - 4x6 (200mm)
- 4. I.1078 - 4x6 (200mm)
- 5. I.3723 - 2x4 (650mm)
- 6. PM GRUPO 1
- 7. PM GRUPO 2

TUBOS SILICONA / SILICONE PIPES

- 11. I.1080 - 5x8 (500mm)
- 12. I.739 - 5x8 (600mm)
- 13. I.2108 - 5x8 (220mm)
- 14. I.1088 - 5x8 (40mm)
- 15. I.1080 - 5x8 (500mm)
- 16. I.2108 - 5x8 (220mm)
- 17. I.1080 - 5x8 (500mm)
- 18. I.2107 - 5x8 (400mm)
- 19. I.2108 - 5x8 (220mm)
- 20. I.1087 - 5x8 (300mm)
- 21. I.1080 - 5x8 (500mm)
- 22. I.426 - 5x8 (370mm)
- 23. I.1087 - 5x8 (300mm)
- 24. I.2709 - 5x11 (810mm)



NOTA:
Una vez montado I.2709 (Ø11/7x810mm) se corta en dos partes (25a/25b) y se empalma con I.426 mediante I (I.805)



TUBOS TEFLÓN / PTFE PIPES

- 1. I.3720 - 6x8 (290mm)
- 2. I.1073 - 4x6 (650mm)
- 3. I.1078 - 4x6 (200mm)
- 4. I.1078 - 4x6 (200mm)
- 5. I.3723 - 2x4 (650mm)
- 6. PM GRUPO 1
- 7. PM GRUPO 2

TUBOS SILICONA / SILICONE PIPES

- 11. I.1087 - 5x8 (300mm)
- 12. I.2107 - 5x8 (400mm)
- 13. I.2118 - 5x8 (160mm)
- 14. I.1088 - 5x8 (40mm)
- 15. I.2107 - 5x8 (400mm)
- 16. I.2118 - 5x8 (160mm)
- 17. I.426 - 5x8 (370mm)
- 18. I.2107 - 5x8 (400mm)
- 19. I.2108 - 5x8 (220mm)
- 20. I.1087 - 5x8 (300mm)
- 21. I.1080 - 5x8 (500mm)
- 22. I.426 - 5x8 (370mm)
- 23. I.1087 - 5x8 (300mm)
- 24. I.426 - 5x8 (370mm)
- 25. I.2709 - 5x11 (810mm)

