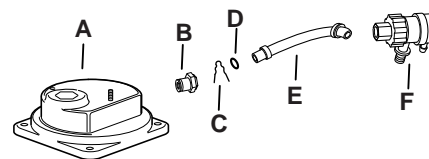


VERSIONE ELC.2

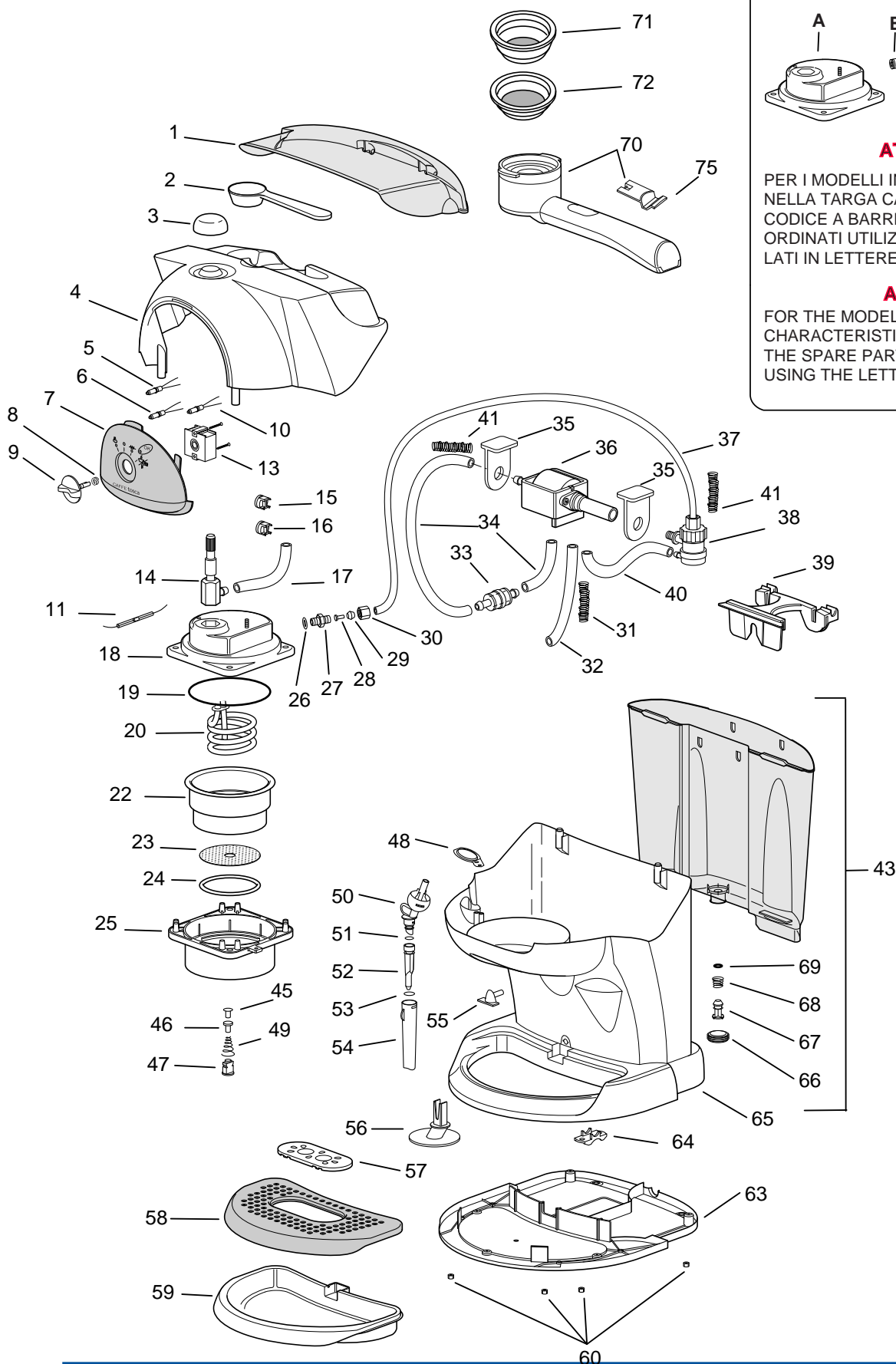


ATTENZIONE

PER I MODELLI INDICATI COME ELC.2 NELLA TARGA CARATTERISTICHE E NEL CODICE A BARRE: I PEZZI INDICATI VANNO ORDINATI UTILIZZANDO I CODICI SEGNALATI IN LETTERE

ATTENTION

FOR THE MODEL ELC.2 (SEE CHARACTERISTIC LABEL AND BAR CODE) THE SPARE PARTS HAVE TO BE ORDERED USING THE LETTERS ABOVE.



Position	Code	description
D	5313217701	O-RING D=3,85
C	6132101300	CLIP
	7332122300	FILTER HOLDER PODS UNIVERSAL
F	7313286129	VALVE
	9811040850	SCREW
	5313270059	HEATING ELEMENT SEAL
	5332173200	DUCT LOWER
E	5532112000	TUBE
	9815002850	INOX NUT M10 X 1.25 (BOILER/TAP)
	9815003750	INOX NUT M8 X 1 (BOILER/JUNCTION)
B	6213210431	CONNECTION
	5332180400	SLIDING BLOCK BLACK(PA66)
A	6813210411	BOILER UPPER
001	5332112700	COVER
002	5332169200	MEASURING SPOON
003	5532109600	KNOB
004	5332124000	COVER
005	512302	WARNING LIGHT
006	5118100800	WARNING LIGHT
007	5932104600	CONTROL PANEL
008	6113211791	SPRING
009	5532106200	KNOB
010	512641	Green Warning Light
010	ES000	*NOT AVAILABLE
011	511816	FUSE
013	5513200029	Change Over Switch
014	5513200209	TAP
015	5232101300	THERMOSTAT 125°
016	5232100600	THERMOSTAT 105°
017	536281	TUBE
019	533216	GASKET
020	5513200799	HEATING Element ASSY
022	6832101000	BOILER LOWER
023	6032101200	DIFFUSER
024	533218	GASKET
025	7032101500	SUPPORT
026	9850081500	WASHER

FR BAR40

BAR40 BLACK (MAISON R.47635)

027	7032103100	CONNECTION
028	621970	RING
029	621967	NOSE
030	621968	NUT
031	6132101400	SPRING
032	5332118000	TUBE
033	5513220521	FILTER
034	535926	TUBE
035	534848	SUPPORT
036	5113211281	PUMP
037	5332115300	TUBE
038	7313211921	VALVE
039	5332113500	HINGE
040	5332116100	TUBE
041	6132101000	SPRING
043	7313271639	TANK
045	5332289700	VALVE
046	621986	RING
047	6232103400	DOWEL
048	6032101700	BRACKET
049	6113211931	SPRING
050	5332149900	TUBE UPPER
051	5313217761	O-RING
052	5332113800	TUBE LOWER
053	5313217741	O-RING
054	5332229600	COVER
055	5332117900	CONNECTION H2O
056	5332117200	PRESSING DEVICE
057	5332118600	INSERT
058	7032102400	CUP PLATE
059	5332130000	TRAY
060	532233	RUBBER PAD
063	5532106300	BOTTOM
064	533921	WIRE CLAMP
065	5332123800	BODY
066	5332108700	GASKET
067	5332109000	PISTON
068	6132100800	SPRING

069	5332111600	O-RING
070	7332109900	SUMP
071	607836	Small one-cup
072	607731	Large two-cup filter
075	534714	LEVER