

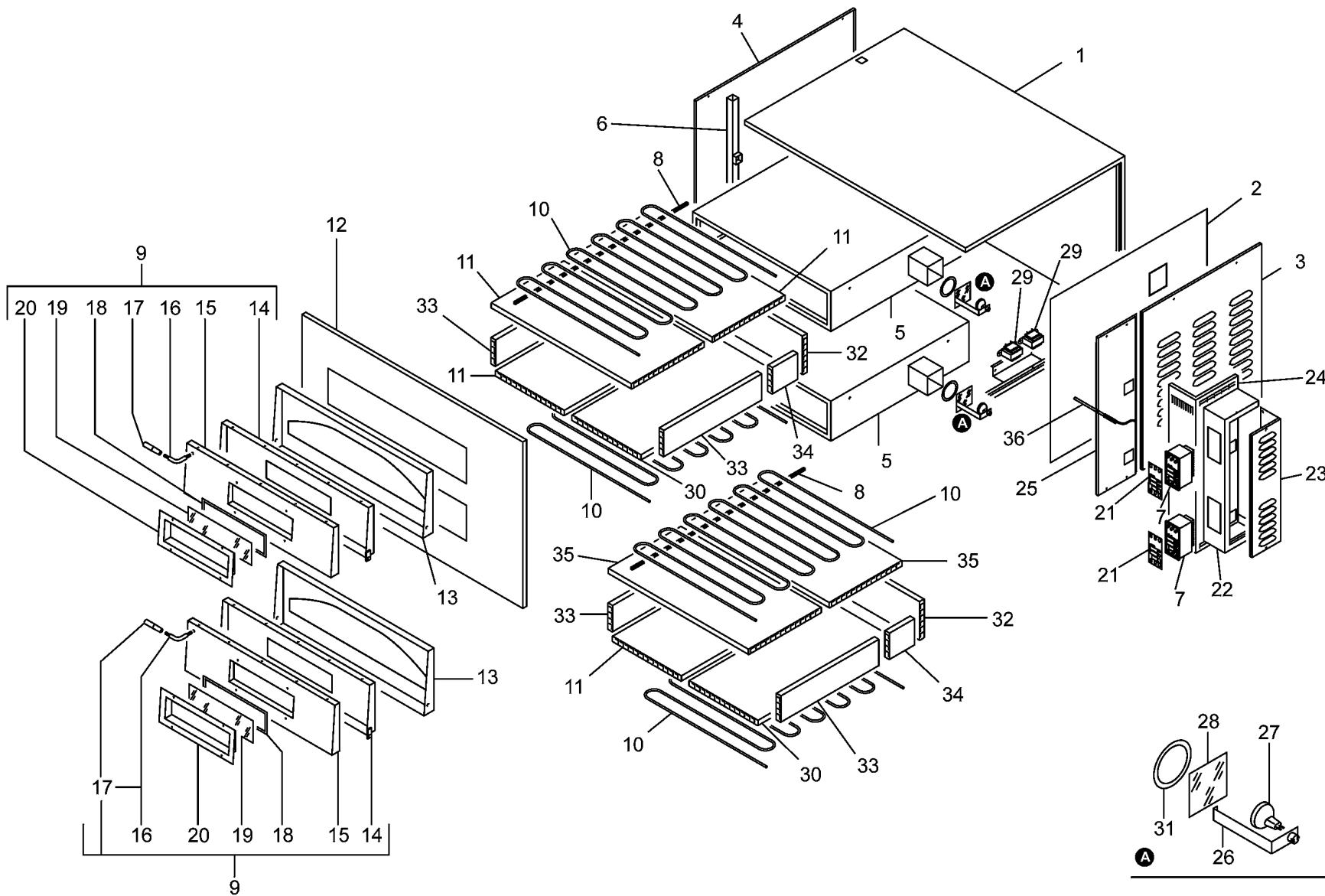


SPARE PARTS TAVOLA RICAMBI

fmd4-44-6-w6-66-w66-9-99

| SPEC. | N. | CODE | DENOMINAZIONE - DENOMINATION | PRICE |
|--|------|--------|------------------------------------|----------|
| (FMD99) | 3 | CO7970 | Covering - Copertura | € 55.80 |
| (FMD4-W6) | 4 | CO2589 | Covering - Copertura | € 41.60 |
| (FMD44-W66) | 4 | CO2590 | Covering - Copertura | € 40.00 |
| (FMD6) | 4 | CO2591 | Covering - Copertura | |
| (FMD66) | 4 | CO2592 | Covering - Copertura | |
| (FMD9) | 4 | CO2593 | Covering - Copertura | |
| (FMD99) | 4 | CO2594 | Covering - Copertura | |
| | 7 | CO3065 | Controls unit - Centralina comandi | € 226.40 |
| (FMD4-44-W6-W66) | 8 | CO2675 | Rod - Asta | € 9.00 |
| (FMD6-66) | 8 | CO2676 | Rod - Asta | |
| (FMD9-99) | 8 | CO2677 | Rod - Asta | |
| Assembly Stainless steel (FMD4-44-6-66) | 9 | CO2678 | Door - Sportello | |
| Assembly Rustic (FMD4-44-6-66) | 9 | CO2679 | Door - Sportello | € 136.00 |
| Assembly Stainless steel (FMDW6-W66-9-99) | 9 | CO2680 | Door - Sportello | € 156.40 |
| Assembly Rustic (FMDW6-W66-9-99) | 9 | CO2681 | Door - Sportello | € 156.40 |
| 230V/1Ph/50-60Hz (FMD4-44) | * 10 | CO2682 | Resistance - Resistenza | € 23.80 |
| 230V/1Ph/50-60Hz (FMD6-66) | * 10 | CO2683 | Resistance - Resistenza | € 33.60 |
| 230V/1Ph/50-60Hz (FMD9-99) | * 10 | CO3674 | Resistance - Resistenza | € 38.40 |
| 230V/1Ph/50-60Hz (FMDW6-W66) | * 10 | CO3895 | Resistance - Resistenza | € 33.60 |
| | 11 | CO2684 | Stone - Piana | € 51.40 |
| (FMD4-44-6-66) | 14 | CO2696 | Door - Sportello | |
| (FMDW6-W66-9-99) | 14 | CO2697 | Door - Sportello | |
| Stainless steel (FMD4-44-6-66) | 15 | CO2698 | Door - Sportello | |
| Stainless steel (FMDW6-W66-9-99) | 15 | CO2699 | Door - Sportello | € 40.00 |
| Rustic (FMD4-44-6-66) | 15 | CO2814 | Door - Sportello | € 42.00 |
| Rustic (FMDW6-W66-9-99) | 15 | CO2815 | Door - Sportello | |
| Assembly | 16 | CO1214 | Support - Supporto | € 13.10 |
| | 17 | SL0106 | Handle - Maniglia | € 2.50 |
| | 18 | CO2909 | Gasket - Guarnizione | € 5.00 |
| per altezze H11/H14/H18/H22 | * 19 | CO4735 | Glass - Vetro | € 25.00 |
| | 20 | CO0865 | Moulding - Cornice | |
| | * 21 | SL3704 | Label - Etichetta | |
| (FMD66) | 22 | CO9065 | Controls box - Scatola comandi | |
| | 26 | CO2026 | Support - Supporto | € 6.30 |
| 12V (Halogen) | * 27 | CO1979 | Lamp - Lampada | € 11.40 |
| | 28 | CO3318 | Glass - Vetro | € 11.10 |
| 12V | 29 | CO1980 | Transformer - Trasformatore | € 20.40 |

*Ricambio consigliato - Advised spare parts



POS. CODE

| | |
|----|--------|
| 3 | CO7970 |
| 4 | CO2589 |
| 4 | CO2590 |
| 4 | CO2591 |
| 4 | CO2592 |
| 4 | CO2593 |
| 4 | CO2594 |
| 7 | CO3065 |
| 8 | CO2675 |
| 8 | CO2676 |
| 8 | CO2677 |
| 9 | CO2678 |
| 9 | CO2679 |
| 9 | CO2680 |
| 9 | CO2681 |
| 10 | CO2682 |
| 10 | CO2683 |
| 10 | CO3674 |
| 10 | CO3895 |
| 11 | CO2684 |
| 14 | CO2696 |
| 14 | CO2697 |
| 15 | CO2698 |
| 15 | CO2699 |
| 15 | CO2814 |
| 15 | CO2815 |
| 16 | CO1214 |
| 17 | SL0106 |
| 18 | CO2909 |
| 19 | CO4735 |
| 20 | CO0865 |
| 21 | SL3704 |
| 22 | CO9065 |
| 26 | CO2026 |
| 27 | CO1979 |
| 28 | CO3318 |
| 29 | CO1980 |



SPARE PARTS
TAVOLA RICAMBI

fmd4-44-6-w6-66-w66-9-99

| SPEC. | N. | CODE | DENOMINAZIONE - DENOMINATION | PRICE |
|--------------------------|----|--------|------------------------------|---------|
| (FMD9-99) | 30 | CO2685 | Stone - Piana | € 28.70 |
| | 31 | CO3329 | Gasket - Guarnizione | € 2.30 |
| 765x190x17 (4/4+4 6/6+6) | 32 | CO4970 | Slab - Tavella | € 43.80 |
| 685x115x17 | 33 | CO7649 | Slab - Tavella | € 24.00 |
| 315x115x17 | 34 | CO7650 | Slab - Tavella | € 16.10 |
| 359x718x17 (6/6+6) | 35 | CO9685 | Slab - Tavella | € 59.00 |
| | 36 | CO2979 | Probe - Sonda | € 17.80 |

*Ricambio consigliato - Advised spare parts

POS. CODE

| | |
|----|--------|
| 30 | CO2685 |
| 31 | CO3329 |
| 32 | CO4970 |
| 33 | CO7649 |
| 34 | CO7650 |
| 35 | CO9685 |
| 36 | CO2979 |

