

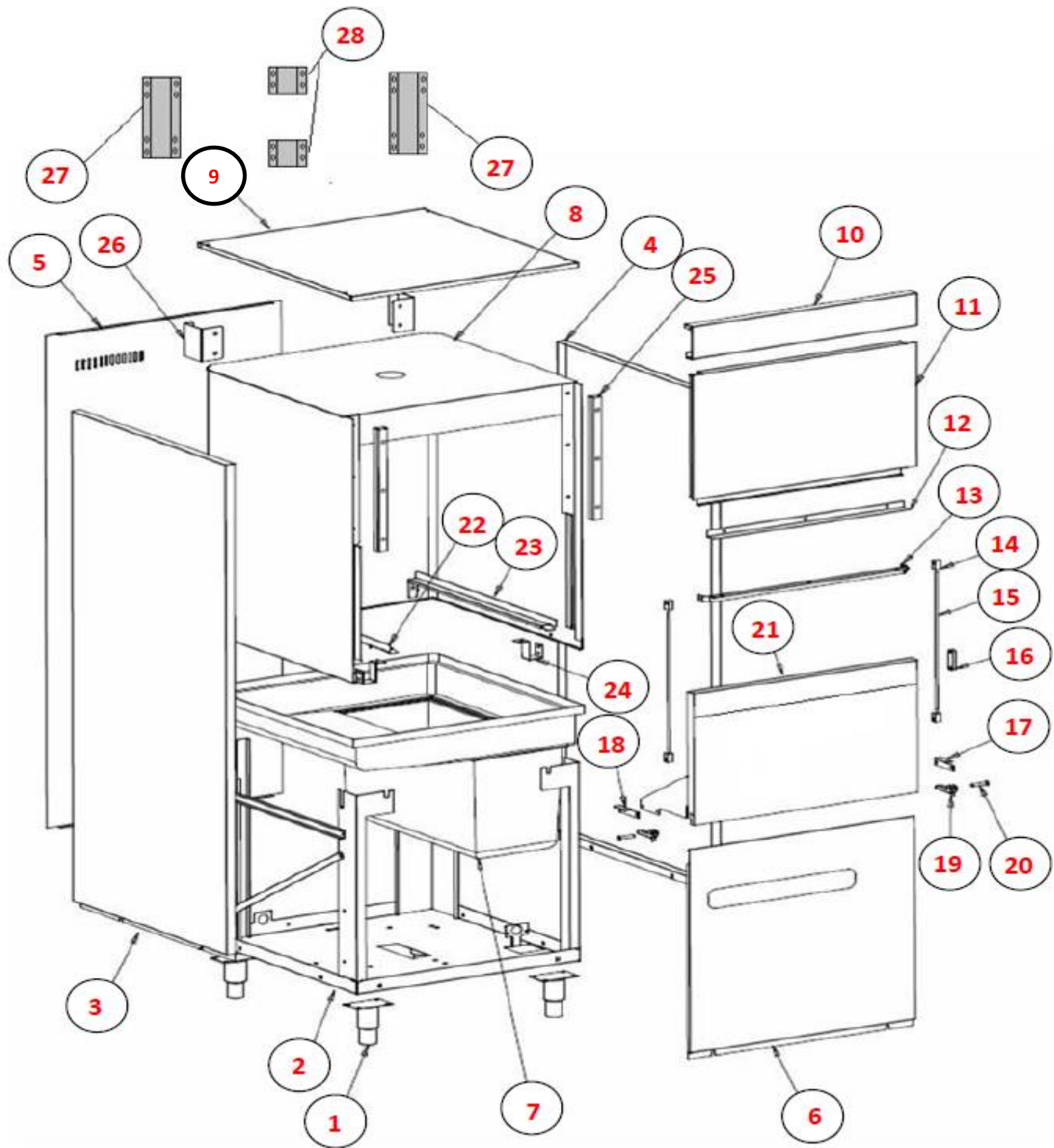


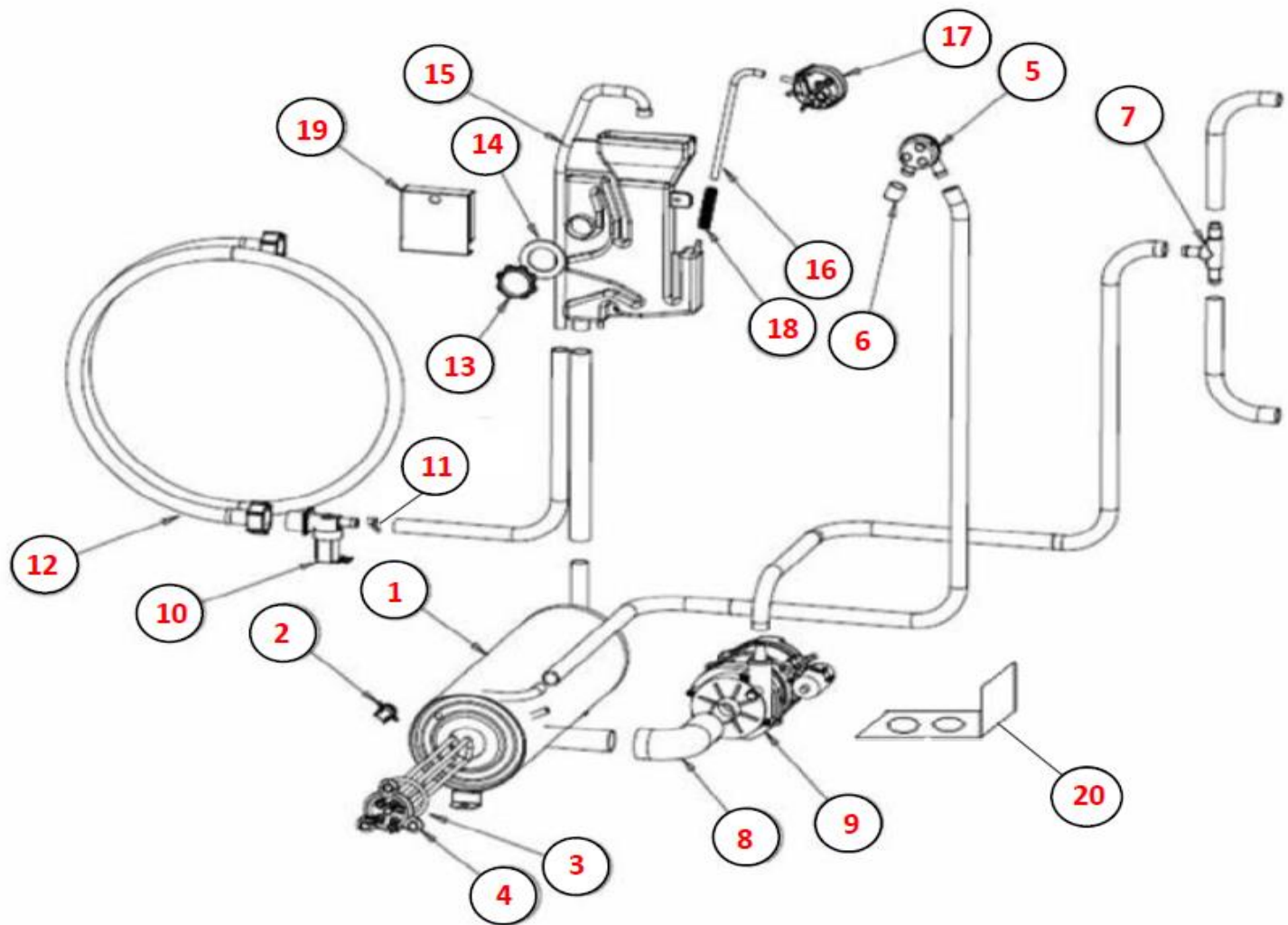
POS	CODE	DESCRIPTION	DESCRIPTION	QTA
1	P1	PANNELLERIA	FRAME	1
2	P2	RISCIACQUO	RINSE	1
3	P3	LAVAGGIO	WASH	1
4	P3 (2)	LAVAGGIO	WASH	1
5	P4	GIRANTI	ARMS	1
6	P5	CABLAGGIO	WIRING	1
7	O2	HY-NRG	HY-NRG	1
8	O4	POMPA SCARICO	DRAIN PUMP	1
9	O5	ADDOLCITORE E BREAK TANK	SOFTENER AND BREAK TANK	1

		
		
F		
E		
D		
C		
B	03/2021	Modificata vasca di lavaggio Wash tank modified
A	04/2020	Prima emissione First emission
REV	Valido da Starting since	Descrizione della modifica Revision description

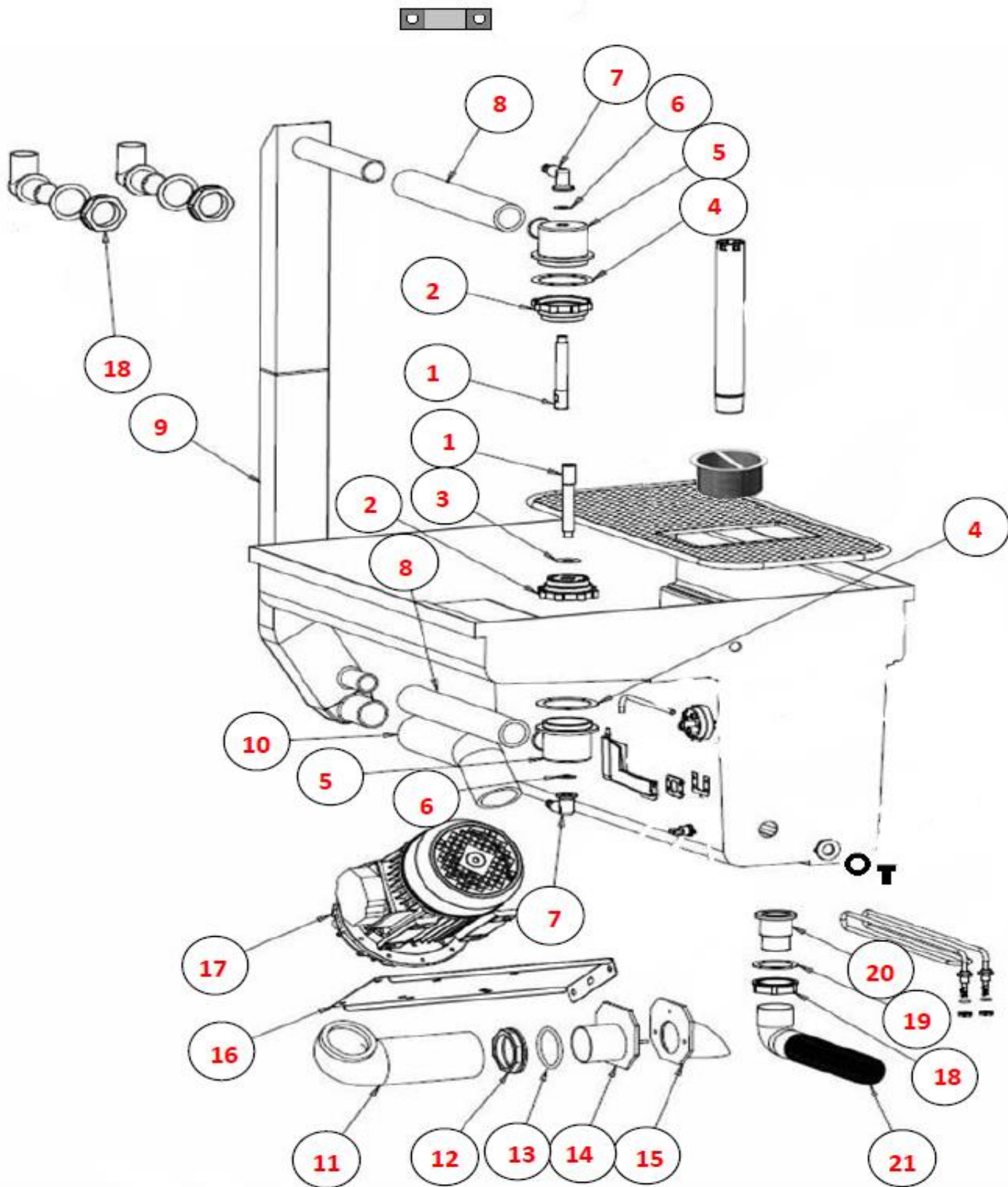
POS	CODE	DESCRIZIONE	DESCRIPTION	NR
1	TR0861	PIEDE 1"1/2"	LEG 1"1/2"	4
2	902157	BASAMENTO N800/LP57 MONOPEZZO CON TRAVERSE	STAND N800/LP57 ONE-PIECES WITH CROSSBAR	1
3	TR3774	PANN. LAT. LP57A SX 2011	LH SIDE PANEL LP57A 2011	1
4	TR3773	PANN. LAT. LP57A DX 2011	RH SIDE PANEL LP57A 2011	1
5	TR3718	PANN. POST. LP57A	BACK PANEL LP57A	1
6	951608	PANN. FRONT. COM LP57 EVO2	COMPLETE FRONT PANEL LP57 EVO2	1
7	900077	VASCA N1300 STAMPATA 2014	MOULDED TANK N1300 2014	1
8	TR3591	CAPPOTTA LP57A 2011 COMPL.	COMPLETE HOOD LP57A 2011	1
9	953173	CIELO CAPOT LP57A 2011	CAPOT HAT LP57A 2011	1
10	TR3775	PANN. FRONT. SUP. LP57A 2011	UPPER FRONT PANEL LP57A 2011	1
11	TR3428	PORTA SUP. LP57A 2011 COMPLETA	COMPLETE UPPER DOOR LP57A 2011	1
12	TR2003	PARASPRUZZI LP57A 2011	SPLASHBACKS LP57A 2011	1
13	TR0924	TRAV. SUPP. PORTA LP57A 2011	DOOR UPPER COVER LP57A 2011	1
14	TR0936	BLOCCHETTO TIRANTE PORTA LP57A 2011	TIE-ROD DOOR BLOCK LP57A	4
15	TR0937	TIRANTE PORTA M6X427MM LP57A 2011	DOOR TIE-ROD M6X427MM LP57A 2011	2
16	908706	MAGNETE + CUSTODIA CAPOT/LP57	MAGNET + CONTAINER HOOD TYPE/LP57	1
17	TR0990	FERMO PORTA DX LP57A 2011	RH DOOR STOP LP57A 2011	1
18	TR0991	FERMO PORTA SX LP57A 2011	LH DOOR STOP LP57A 2011	1
19	901245	CERNIERA PORTA SERIE S-N-E	DOOR HINGE MODEL S-N-E	2
20	904795	PERNO PORTA	DOOR PIVOT	2
21	TR3609	PORTA INF. LP57A 2011 CON M.A.	LOWER DOOR LP57A WITH ALUMINIUM HANDLE 2011	1
22	TR2072	GUIDA ANG. SX PORTACEST. LP57A 2011	ANGULAR BASKET GUIDE LH LP57A 2011	1
23	TR2073	GUIDA ANG. DX PORTACEST. LP57A 2011	ANGULAR BASKET GUIDE RH LP57A 2011	1
24	TR2071	SUPP. GUIDA CESTELLO LP57A 2011	BASKET-GUIDE SUPPORT LP57A 2011	2
25	901696	GUIDA POLIZENE PORTA SUP. LP57A 2011	UPPER-DOOR GUIDE LP57A 2011	2
26	TR2097	SQUAD. FISS. PANN. POST. LP57	BACK-PANEL FIXING BRACKET LP57	2
27	908677	STAFFA FISS. COLONNA LAVAGGIO LP57-LP67-LP109	FIXING BRACKET FOR WASH COLUMN LP57-LP67-LP109	2
28	955777	STAFFA POST. FISS. CAPPOTTA LP57	BACK HOOD-FIXING BRACKET LP57	2



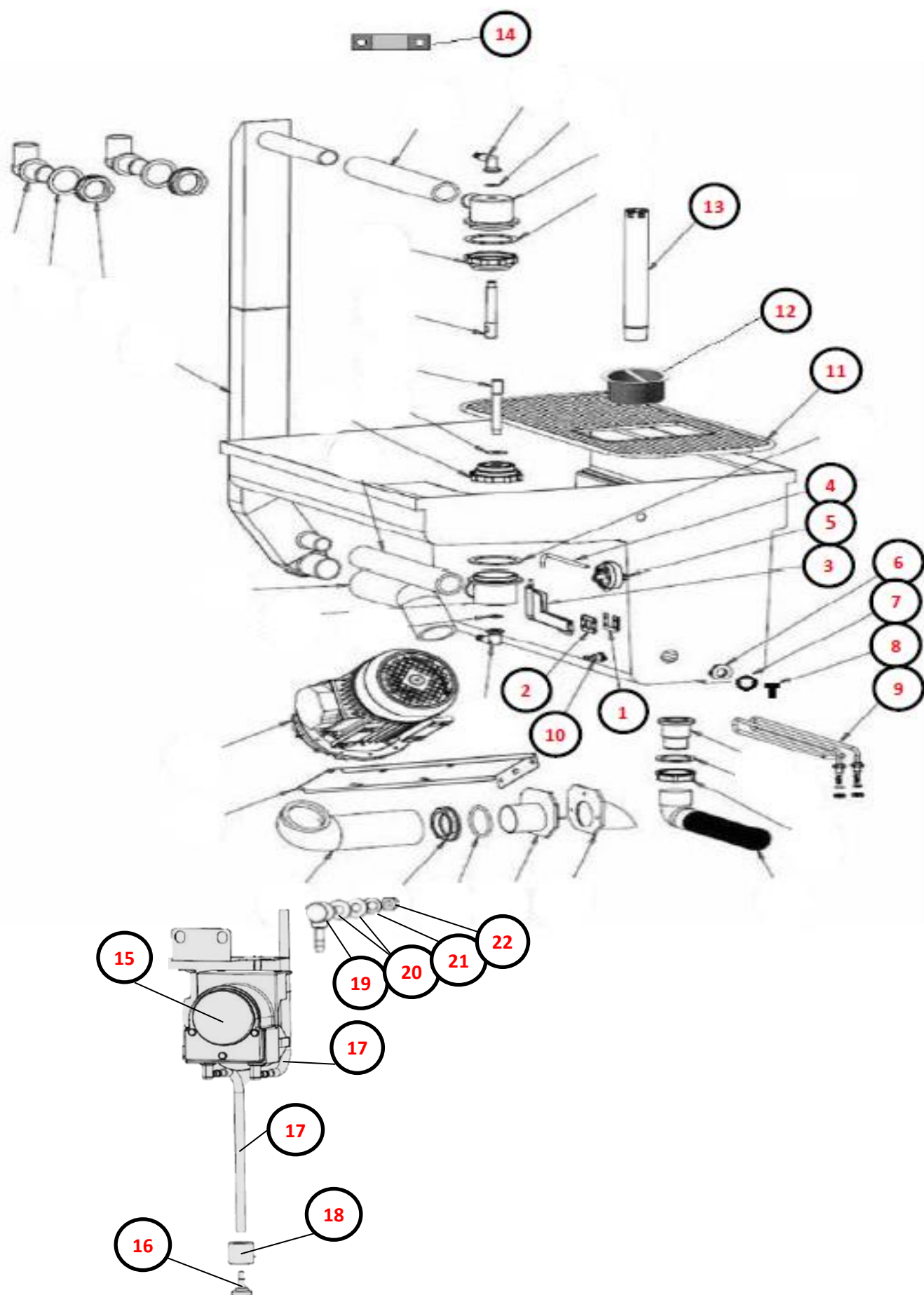
POS	CODE	DESCRIZIONE	DESCRIPTION	NR
1	900436	BOILER HY-NRG 12lt +RES.10KW 2015	BOILER HY-NRG 12l + RES.10KW 2015	1
2	907297	TERMOSTATO SICUR. 110° PASTIGLIA	SAFETY THERMOSTAT 110° PADDLE	1
3	TR0115	OR RES. FLANG. 9/10/12/14 KW	OR FLANGE HEATING ELEMENT 9/10/12/14 KW	1
4	TR0342	RESIST. BOILER 10KW 230V +OR	BOILER HEATING ELEMENT 10KW 230V +OR	1
5	TR2434	VALVOLA ANTIRITORNO SEMI-CHIUSA	HALF-CLOSED NON-RETURN VALVE	1
6	906409	TAPPO SFIATO VASCA	CAP FOR TANK VENTILATION	1
7	905382	RACC. 3 VIE RISCIAQUO	THREE-WAY CONNECTION RINSE	1
8	903713	MANICOTTO ASP. POMPA RISCIAQUO - PS 020	ASPIRATION SLEEVE RINSE PUMP - PS 020	1
9	902241	POMPA RISCIAQUO CRC-R DX	RINSE PUMP CRC-R RH	1
10	902390	ELETTROV. 1 VIA Ø10	1-WAY SOLENOID VALVE Ø10	1
11	905489	GRUPPO REGOLATORE 0.25 LT. NERO	BLACK REGULATOR GROUP 0.25 LT	1
12	907348	TUBO CARICO 90° 1500MM S 800 HW	WATER LOAD HOSE 90° 1500MM S 800 HW	1
13	902091	GHIERA AIR GAP	FERRULE, AIR GAP	1
14	903392	GUARN. AIR GAP	AIR GAP GASKET	1
15	907313	AIR GAP	AIR GAP	1
16	907279	TUBO SILICONE 4X7	SILICONE HOSE 4X7	1
17	905283	PRESSOSTATO 65/10	PRESSURE SWITCH 65/10	1
18	904131	MOLLA PROTEZIONE TUBETTO	SPRING PROTECTING TUBE	1
19	900086	COPERTURA INTERNA AIR GAP	INSIDE COVERING AIR GAP	1
20	TR3572	SUPP. POMPA DOPPIO RISCIAQUO	PUMP SUPPORT PRE RINSE	1



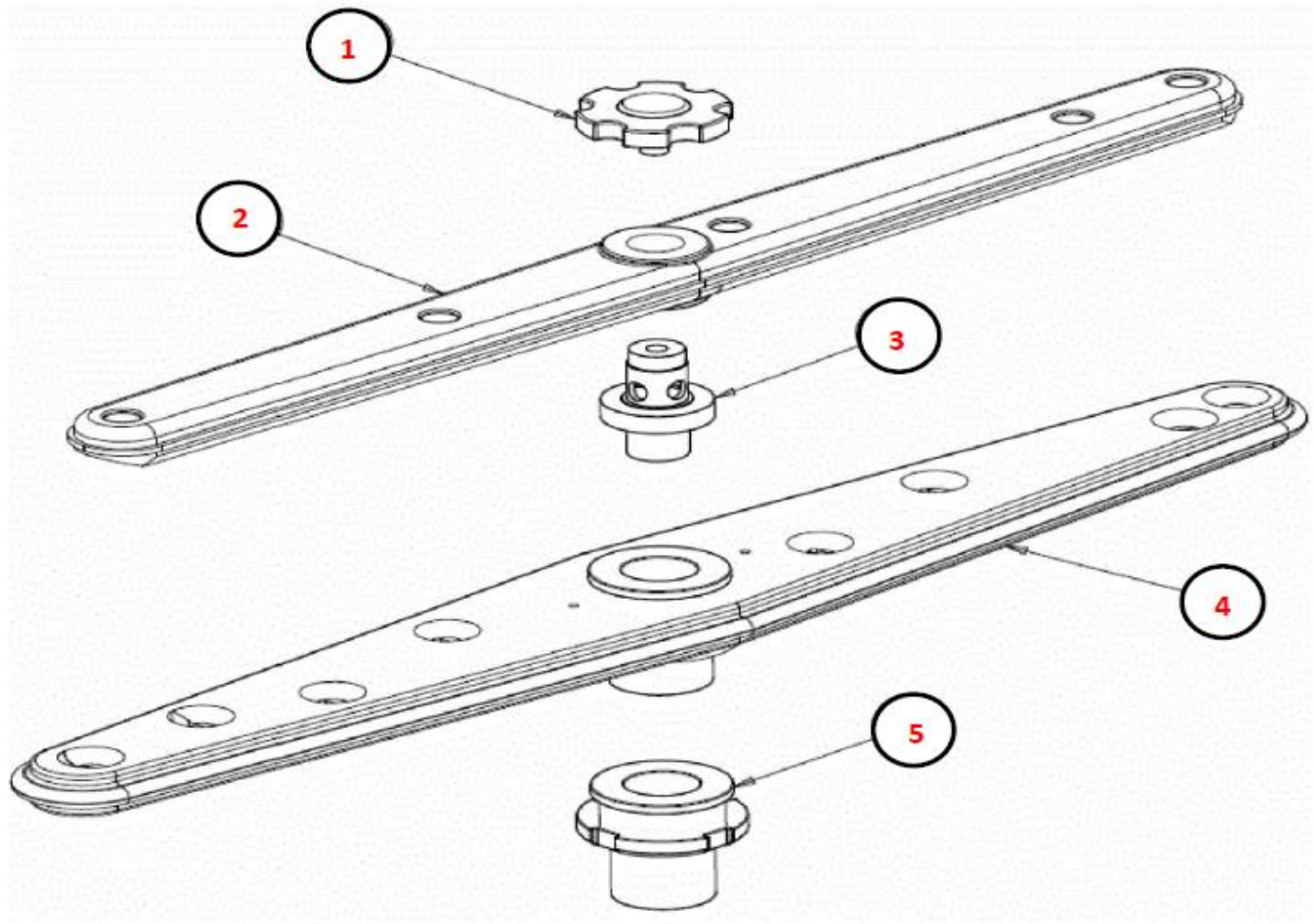
POS	CODE	DESCRIZIONE	DESCRIPTION	NR
1	904753	PERNO LAV. INF. N1300	LOWER-WASH-ARM PIVOT N1300	2
2	900050	GHIERA MOPLEN MOZZO INFERIORE LAV. N1300	MOPLEN FERRULE, LOWER WASH HUB N1300	2
3	906001	RONDELLA RIDUZ. 42X17X1 N1300	WASHER RIDUCTION 42X17X1 N1300	1
4	TR2448	GUARN. 2" N1300-LP-T-N SP.2MM	GASKET 2" N1300-LP-RACK/FLIGHT CONVEYOR 2MM	2
5	900049	MOZZO INF. LAV. N1300_N1300S	LOWER WASH HUB N1300_N1300S	2
6	903351	GUARN. FIBRA RACC. RISC. SUP.	FIBRE GASKET UPPER RINSE JUNCTION	2
7	908101	RACC. GOMITO 1/4" + RACC. D.12	ELBOW CONNECTION 1/4" + CONNECTION D.12	2
8	908712	MANICOTTO MANDATA INF. N1000/N1300	INLET SLEEVE LOWER N1000/N1300	2
9	908748	COLONNA LAV. LP57ALTA PPH	WASH COLUMN LP57 H PPH	1
10	903701	MANICOTTO ASP. E1000/N1000/N1300/TRAINO	ASPIRATION SLEEVE E1000/N1000/N1300/RACK CONVEYOR	1
11	908713	MANICOTTO MANDATA N1300 V.T./LP57	INLET SLEEVE N1300/LP57 (OLD TYPE)	1
12	902112	GHIERA 2"	FERRULE 2"	1
13	TR0115	OR RES. FLANG. 9/10/12/14 KW	OR FLANGE HEATING ELEMENT 9/10/12/14 KW	1
14	TR0098	RACC. ASPIR. TRAINO - NASTRO - LP	ASPIRATION CONNECTION FLIGHT/RACK CONVEYOR LP	1
15	TR0977	RACC. ASPIR. 90° INT. VASCA	RIGHT-ANGLE CONNECTION INSIEDE ASPIRATION TANK	1
16	908574	SUPP. POMPA LP57	PUMP SUPPORT LP57	1
17	TR1582	POMPA 1.35KW 400/3/50 PRELAV. T DX	PRE-WASH PUMP 1.35KW 400/3/50 RACK CONVEYOR RH	1
18	902080	GHIERA 1"1/4 ASPIR./SCAR.	FERRULE 1"1/4 ASPIRATION/DRAIN	2
19	904380	OR 1"1/4 RACC. ASPIR./SCAR.	OR 1"1/4 ASPIRATION/DRAIN JUNCTION	1
20	905450	RACC. SC. 1" 1/4	CONNECTION SC. 1" 1/4	1
21	907451	TUBO SCARICO Ø32 90° 1500MM	DRAIN HOSE Ø32 90° 1500MM	1



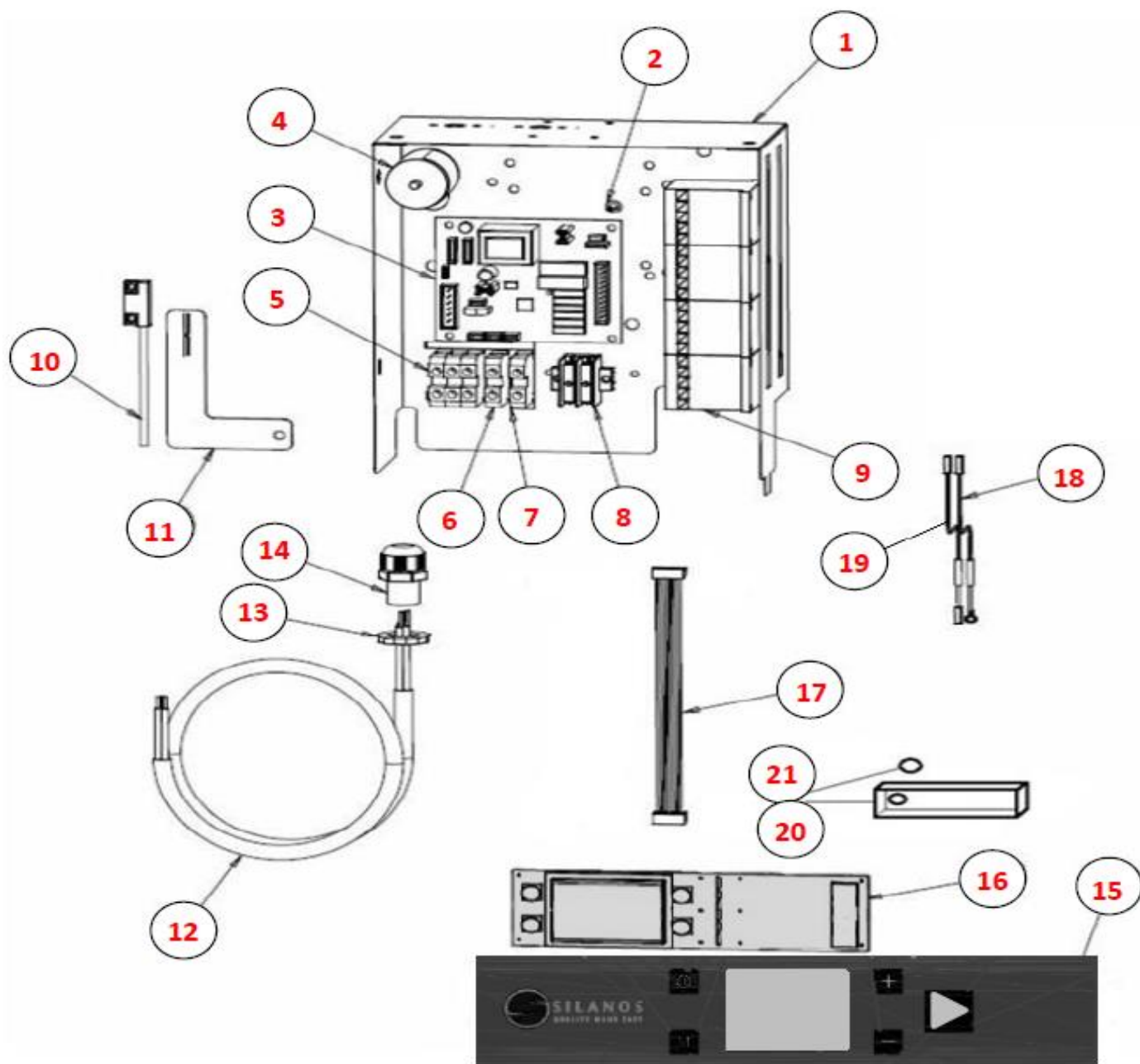
POS	CODE	DESCRIZIONE	DESCRIPTION	NR
1	902111	GHIERA 3/8" PPL	PLASTIC FERRULE 3/8"	1
2	906036	GUARN. Ø16 P. SUGHERO	GASKET Ø16 CORK	1
3	907254	TRAPPOLA ARIA N45-N50-N90-N1000-N1300	AIR TRAP N45-N50-N90-N1000-N1300	1
4	907279	TUBO SILICONE 4X7	SILICONE HOSE 4X7	1
5	905276	PRESSOSTATO 30/160 N1300/LP/LPN	PRESSURE SWITCH 30/160 N1300/LP/LPN	1
6	902111	GHIERA 3/8" PPL	PLASTIC FERRULE 3/8"	1
7	903260	GUARN. 3/8" TR. ARIA	GASKET 3/8", AIR TRAP	1
8	906427	TAPPO 3/8"	CAP 3/8"	1
9	905748	RESIST. VASCA 3KW 230V	TANK HEATING ELEMENT 3KW 230V	1
10	907243	TERMOSTATO SICUR. 95° PASTIGLIA	SAFETY THERMOSTAT 95° PADDLE	1
11	959785	FILTRO SUPERF. VASCA A FAGIOLO FORO CENTRALE	SURFACE FILTER FOR SHAPED TANK CENTRAL HOLE	1
12	904898	FILTRO SENZA CILINDRO INOX Ø98MM	FILTER WITHOUT STAINLESS-STEEL BARREL Ø98MM	1
13	TR1932	TROPPO PIENO 330mm PRELAV.T-N PPL	OVERFLOW CAP 330mm PREWASH T-N PPL	1
14	908677	STAFFA FISS. COLONNA LAVAGGIO LP57-LP67-LP109	FIXING BRACKET FOR WASH COLUMN LP57-LP67-LP109	1
15	902095	DOSATORE BRILL. PERIST. SEKO SENZA REG.	PERISTALTIC RINSE-PRODUCT PUMP WITHOUT REGULATOR	1
16	902569	FILTRO DOSATORE	DOSING UNIT FILTER	1
17	907278	TUBO CRYSTAL ROSSO 4X7	TRASPARENT-RED HOSE 4X7	2
18	906620	PESO TUBETTO DET./BRILL.	WEIGHT RINSE PRODUCT/ETERGENT HOSE	1
19	906708	RACC. INOX ENTR. DETERSIVO VASCA ANT.	STAINLESS-STEEL FRONT INLET CONNECTION FOR DETERGENT IN TANK	1
20	903253	GUARN. RACC. DOS/SFIATO PS	GASKET DOSING UNIT/AIR VENT JUNCTION	2
21	906010	RONDELLA Ø5 P.	WASHER Ø5 P.	1
22	902030	DADO ATB 5	NUT ATB 5	1



POS	CODE	DESCRIZIONE	DESCRIPTION	NR
1	902880	GHIERA FERMO GIRANTI	STOP FERRULE, ARMS	2
2	903028	GIRANTE RISC. INOX 4 "2013"	STAINLESS-STEEL RINSE ARM 4 2013	2
3	908771	PERNO GIRANTE RISC. PIATTA PPL E INOX	PIVOT FLAT RINSE ARM (POLYPROPYLENE AND STAINLESS STEEL)	2
4	902961	GIRANTE LAV. N1300 + MOZZO	WASH ARM N1300 + HUB	2
5	902891	MOZZO MOPLEN GIRANTE LAV. N1300	MOPLEN HUB,WASH ARM N1300	2

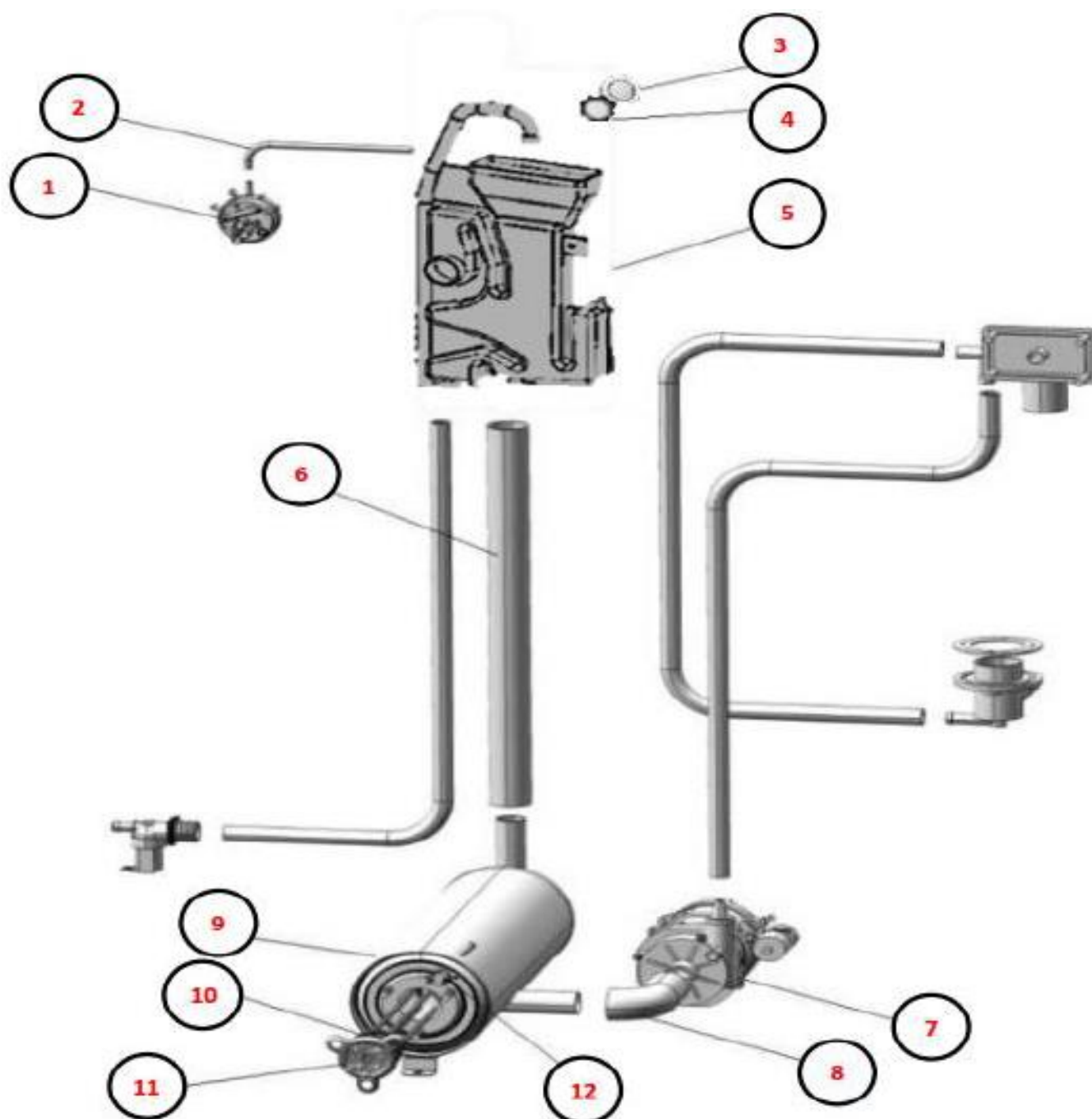


POS	CODE	DESCRIZIONE	DESCRIPTION	NR
1	901446	CASSETTA ELETTRICA CAPOT UNIFICATA	UNIFIED ELECTRIC BOX HOOD TYPE	1
2	902193	DISTANZIALE TIMER ELETTRONICO	ELECTRONIC TIMER SPACER	1
3	907398	SCHEDA EVO2/3 BASE ELCA 12 RELE	BASE BOARD EVO2/3 12 RELAY	1
4	902107	FILTRO ANTIDISTURBO TRIFASE	THREE-PHASED ANTINOISE FILTER	1
5	TR3178	MORSETTO 3P 16MM PASSANTE UNIVERSALE	CLAMP 3P 16MM UNIVERSAL THROUGH	1
6	904166	MORSETTO 1P 16MM	CLAMP 1P 16MM	1
7	904163	MORSETTO 1P 16MM TERRA	CLAMP 1P 16MM EARTH	1
8	904164	MORSETTO TRIPOLARE CON SPALLA	3-POLE CLAMP WITH BRACKET	1
9	907190	TELERUTTORE 9A 230V CON ATTUATORE LOVATO	CONTACTOR 9A WITH ACTUATOR LOVATO	1
10	909105	REED MAGNETICO N1000-N1300-LP57	MAGNETIC REED N1000-N1300-LP57	1
11	908504	SQUAD. REED N1000-N1300	BRACKET REED N1000-N1300	1
12	906788	CAVO ALIMENTAZ. 5X2.5X3500 H07	POWER-SOURCE CABLE 5X2.5X3500 H07	1
13	TR0138	GHIERA PRESSACAVO PG21	FERRULE CAGLE GLAND PG21	1
14	TR0136	PRESSACAVO PG21	CABLE GLAD PG21	1
15	902675	TARGA EVOLUTION SILANOS	PLATE EVOLUTION SILANOS	1
16	907316	SCHEDA EVO2 FRONTALE ELCA 12 RELE	FRONT BOARD EVO2 12 RELAY	1
17	900797	CAVO TELEFONICO SCHEDA EVO2/3 ELCA L=900MM	CONNECTION CABLE EVO2 BOARDS ELCA L=900MM	1
18	900543	SONDA NTC AD OCCHIELLO EVO 2/3 ELCA	PROBE EYE NTC EVO2/3 ELCA	1
19	900541	SONDA NTC A BULBO EVO2/3 ELCA	BULB PROBE NTC EVO2/3 ELCA	1
20	900800	GUSCIO ANTIPOLVERE PER SCHEDA FRONTALE EVO2/3 ELCA	DUST SHELL FOR FRONT BOARD EVO2/3 ELCA	1
21	900801	TAPPO GOMMA PER GUSCIO ANTIVAPORE ELCA	RUBBER CAP FOR ANTISTEAM PROTECTION	1



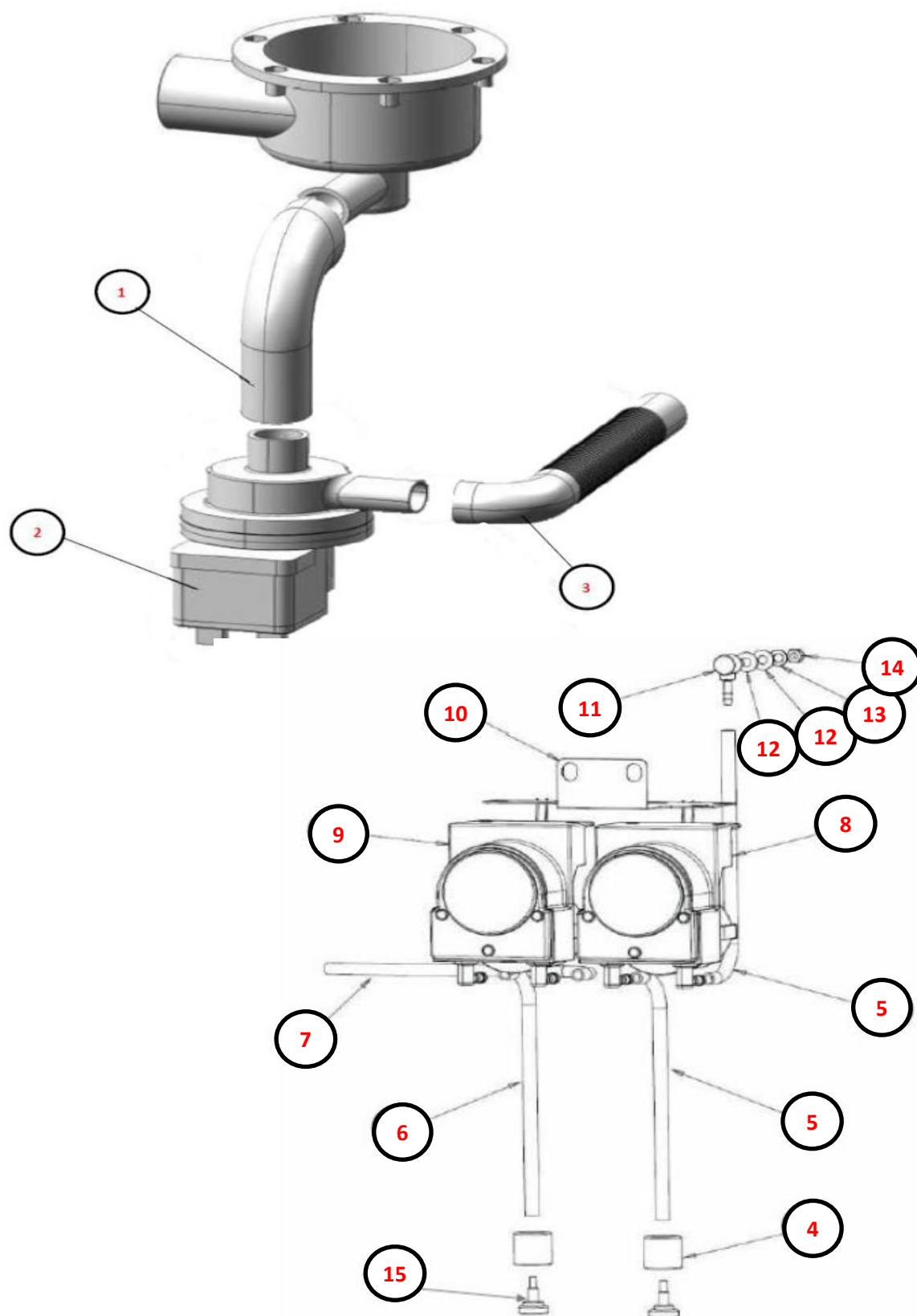
POS	CODE	DESCRIZIONE	DESCRIPTION	NR
1	905283	PRESSOSTATO 65/10	PRESSURE SWITCH 65/10	1
2	907279	TUBO SILICONE 4X7	SILICONE HOSE 4X7	1
3	903392	GUARN. AIR GAP	AIR GAP GASKET	1
4	902091	GHIERA AIR GAP	FERRULE, AIR GAP	1
5	907313	AIR GAP	AIR GAP	1
6	907370	TUBO GOMMA 25X36 AL MT.	HOSE 25X36 /m	1
7	902241	POMPA RISCIAQUO CRC-R DX	RINSE PUMP CRC-R RH	1
8	903713	MANICOTTO ASP. POMPA RISCIAQUO - PS 020	ASPIRATION SLEEVE RINSE PUMP - PS 020	1
9	900444	BOILER B 12LT. 2015	BOILER B 12LT. 2015	1
10	907981	OR RES. 2.6/4.5/6/8 KW	OR HEATING ELEMENT 2.6/4.5/6/8 KW	1
11	TR0342	RESIST. BOILER 10KW 230V +OR	BOILER HEATING ELEMENT 10KW 230V +OR	1
12	907297	TERMOSTATO SICUR. 110° PASTIGLIA	SAFETY THERMOSTAT 110° PADDLE	1

OPTIONAL



POS	CODE	DESCRIZIONE	DESCRIPTION	NR
1	903691	MANICOTTO POMPA SCARICO N45-N50	DRAIN PUMP SLEEVE N45-N50	1
2	902332	POMPA SCARICO MAGNETICA 220/240V 50HZ 40W	MAGNETIC DRAIN PUMP 220/240V 50HZ 40W	1
3	907439	TUBO SCARICO Ø19 90° 2000MM PS + CURVA	DRAIN HOSE Ø19 90° 2000MM PS + BLEND	1
4	906620	PESO TUBETTO DET./BRILL.	WEIGHT RINSE PRODUCT/ETERGENT HOSE	2
5	907278	TUBO CRYSTAL ROSSO 4X7	TRASPARENT-RED HOSE 4X7	2
6	902046	TUBO CRYSTAL TRASP. 4X7	TRASPARENT HOSE 4X7	1
7	907279	TUBO SILICONE 4X7	SILICONE HOSE 4X7	1
8	902053	DOSATORE DETERS. PERIST. SEKO SENZA REG.	PERISTALTIC DETERGENT PUMP WITHOUT REGULATOR	1
9	902095	DOSATORE BRILL. PERIST. SEKO SENZA REG.	PERISTALTIC RINSE-PRODUCT PUMP WITHOUT REGULATOR	1
10	952820	SUPP. DOS. PERISTALTICO DOPPIO	DOUBLE PERISTALTIC DOSING PUMP SUPPORT	1
11	906708	RACC. INOX ENTR. DETERSIVO VASCA ANT.	STAINLESS-STEEL FRONT INLET CONNECTION FOR DETERGENT IN TANK	1
12	903253	GUARN. RACC. DOS/SFIATO PS	GASKET DOSING UNIT/AIR VENT JUNCTION	1
13	906010	RONDELLA Ø5 P.	WASHER Ø5 P.	1
14	902030	DADO ATB 5	NUT ATB 5	1
15	902569	FILTRO DOSATORE	DOSING UNIT FILTER	2

OPTIONAL



POS	CODE	DESCRIZIONE	DESCRIPTION	NR
1	905276	PRESSOSTATO 30/160 N1300/LP/LPN	PRESSURE SWITCH 30/160 N1300/LP/LPN	1
2	907279	TUBO SILICONE 4X7	SILICONE HOSE 4X7	1
3	903392	GUARN. AIR GAP	AIR GAP GASKET	1
4	902091	GHIERA AIR GAP	FERRULE, AIR GAP	1
5	907313	AIR GAP	AIR GAP	1
6	907370	TUBO GOMMA 25X36 AL MT.	HOSE 25X36 /m	1
7	902241	POMPA RISCIAQUO CRC-R DX	RINSE PUMP CRC-R RH	1
8	903713	MANICOTTO ASP. POMPA RISCIAQUO - PS 020	ASPIRATION SLEEVE RINSE PUMP - PS 020	1
9	900444	BOILER B 12LT. 2015	BOILER B 12LT. 2015	1
10	907981	OR RES. 2.6/4.5/6/8 KW	OR HEATING ELEMENT 2.6/4.5/6/8 KW	1
11	TR0342	RESIST. BOILER 10KW 230V +OR	BOILER HEATING ELEMENT 10KW 230V +OR	1
12	907297	TERMOSTATO SICUR. 110° PASTIGLIA	SAFETY THERMOSTAT 110° PADDLE	1
13	905382	RACC. 3 VIE RISCIAQUO	THREE-WAY CONNECTION RINSE	1
14	902401	ELETTROV. 2 VIE Ø10 CON RIDUTTORE ROSSO	2-WAYS SOLENOID VALVE Ø10 WITH RED REDUCER	1
15	903245	GRUPPO VALVOLA RISC. A FREDDO	COLD RINSE VALVE GROUP	1
16	901794	CONTENITORE SALE CON SENSORE COMPLETO	COMPLETE SALT CONTAINER WITH SENSOR	1
17	903340	GUARN. CONTENITORE SALE	SALT CONTAINER GASKET	1
18	902830	GHIERA CONTENITORE SALE	FERRULE, SALT CONTAINER	1
19	906418	TAPPO CONTENITORE SALE	SALT-CONTAINER CAP	1
20	150801	ADDOLCITORE D'ACQUA DVA LT 5	WATER SOFTENER DVA LT 5	1
21	906080	RUBINETTO DEP. 3/4"	SOFTENER KNOB 3/4"	1
22	905489	GRUPPO REGOLATORE 0.25 LT. NERO	BLACK REGULATOR GROUP 0.25 LT	1

OPTIONAL

