



CB 134

LIST OF THE EXPLODED VIEWS



SHELL ASSY

COOLING SYSTEM

HYDRAULIC CIRCUIT

SPRAYER PUMP

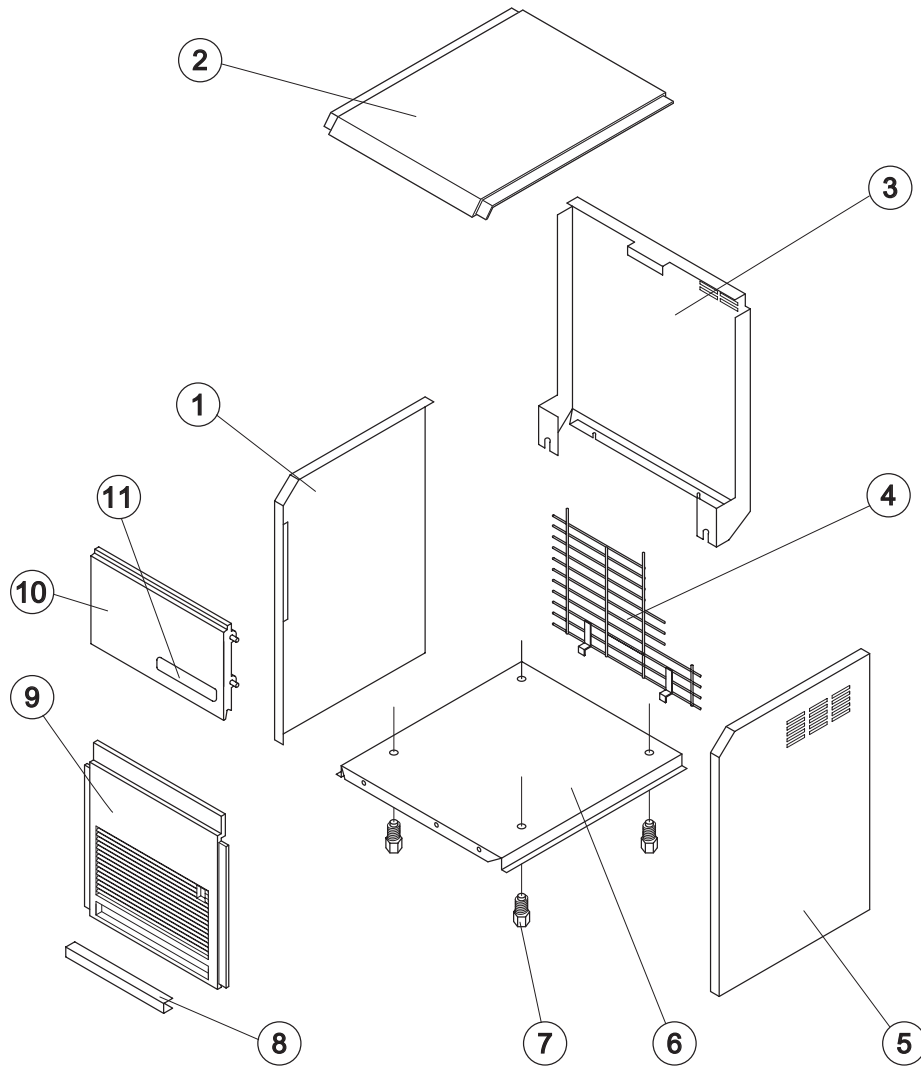
ELECTRIC PARTS

Rev. 1 - 27/05/2008

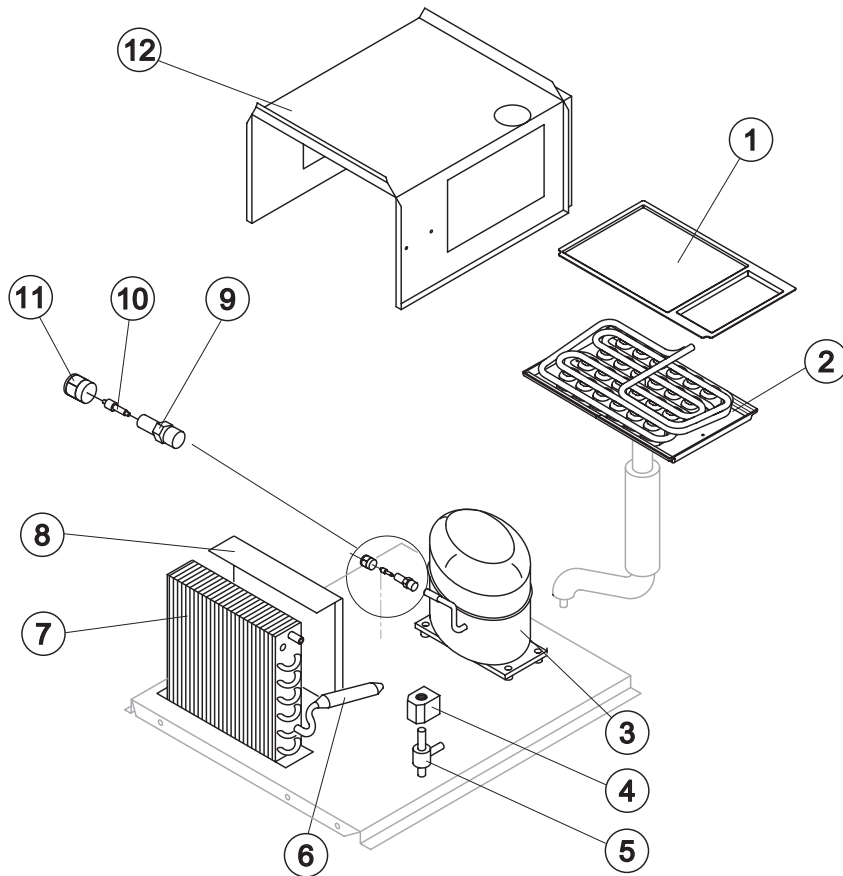


CB 134

SHELL ASSY



Ref.	Spare Description	Code
1	Left Side Panel	10542
2	Top	10543
3	Rear Panel	21064
4	Rear Grid	D12028
5	Right Side Panel	10541
6	Base Plate	21062
7	Foot	10017
8	Screws Cover	10544
9	Front Grid Panel	10545
10	Door	10546
11	Door Plate	24960



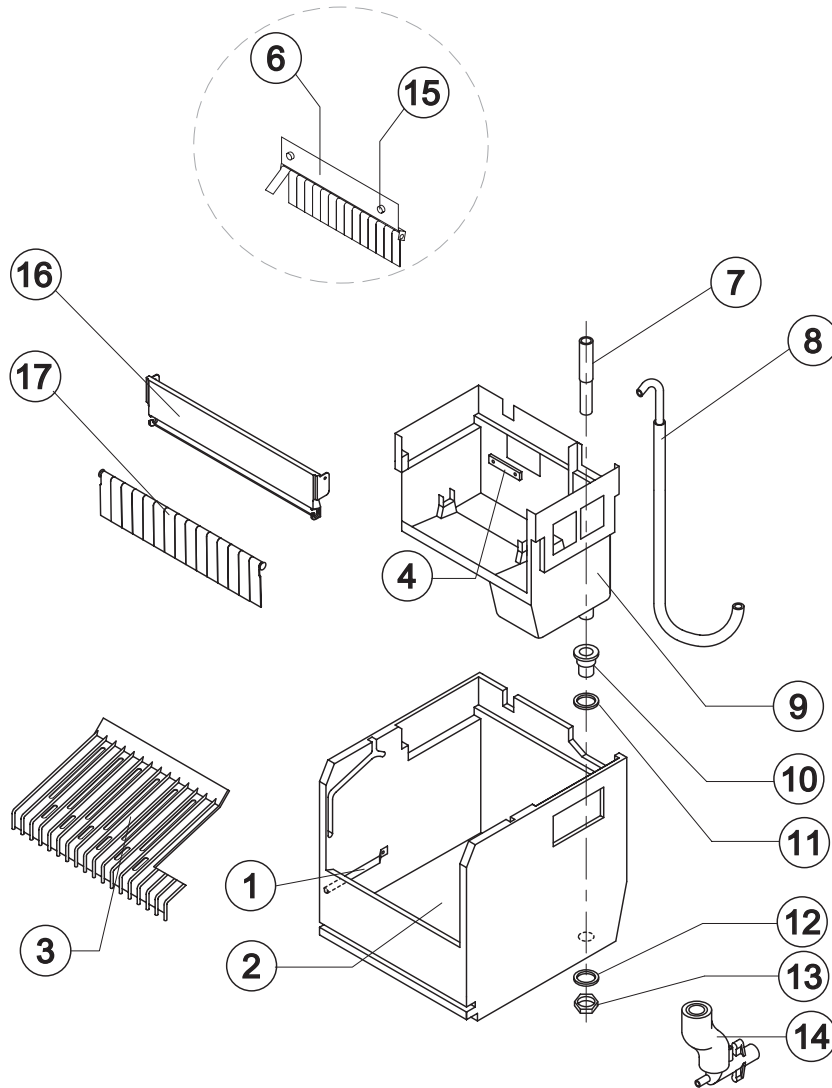
Ref.	Spare Description	Code
1	Evaporator Cover Panel	10498
2	Evaporator	D10079
3	Compressor	23857
4	Hot Gas Valve Coil	23854
5	Hot Gas Valve Body	20853
6	Molecular Drier	14009
7	Air Condenser	20854
8	Air Condenser Conveyor	10520
9	Vacuum-Charge Valve Body	14007
10	Vacuum-Charge Valve Device	14005
11	Vacuum-Charge Valve Plug	14006
12	Bin Support Saddle	22095



CB 134

HYDRAULIC CIRCUIT

Rev. 1 - 27/05/2008

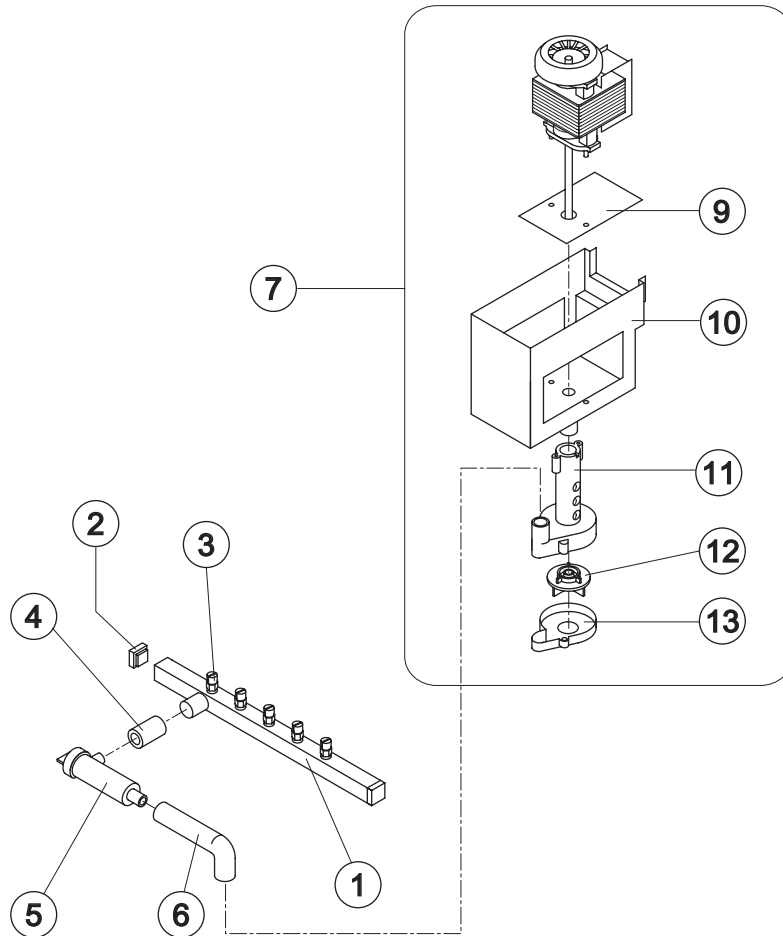


Ref.	Spare Description	Code	
1	Bulbe- holder pipe	20520	
2	Foamed Bin	R11016/E	
3	Ice Cubes Slide	10136	
4	Slide Keep Plate	10142	
6	Panel with Flags	Till s/n. 380376	C22106
7	Overflow Pipe	13028	
8	Evaporator Feeding Pipe Assy	C20535	
9	Inner Basin	10064	
10	Water Outlet Nipple	10472	
11	Silicone Gaske	13006	
12	Semirigid Polyethylene Gasket	13007	
13	Bin Discharge Nu	10096	
14	Discharges Manifold	C10006	
15	Fixing Screw	Till s/n. 380376	20009
16	Flags ABS Support	Current Version	10530
17	Flags with Rod	Current Version	C10532



CB 134

SPRAYER PUMP

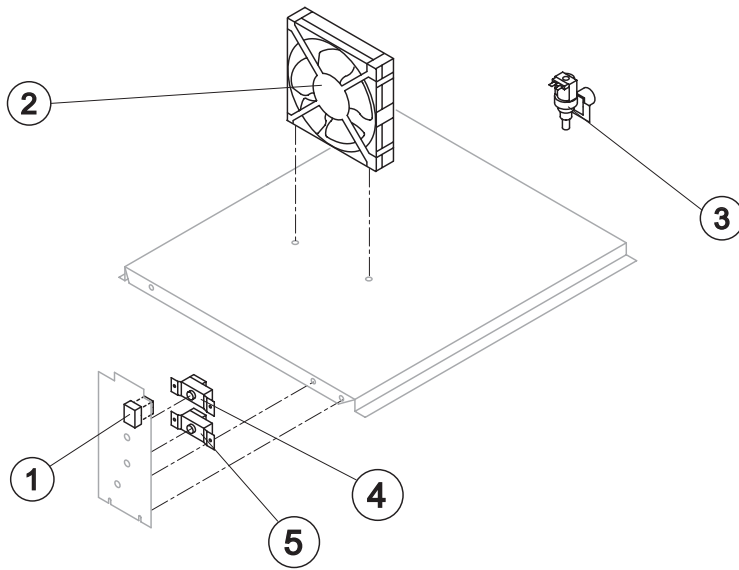
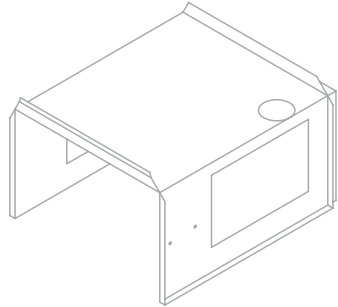


Rif.	Descrizione Ricambio	Codice
1	Sprayers Bar Assembly	C20147
2	Sprayers Bar Plug	10012
3	Sprayers	D20002
4	Filter-Sprayers Bar Connection Pipe	13056
5	Pump Filter	10139
6	Pump-Filter Connection Pipe	13055
7	Pump Assy	C23858
9	Heat Dissipator	22430
10	Pump Motor Box	10073
11	Pump Body	10065
12	Pump Impeller	10066
13	Diffusor	10067



CB 134

ELECTRIC PARTS



Ref.	Spare Description	Code	
1	Green Light Switch (On-Off)	Current Version	23327
1	Green Light Switch (On-Off)	Till s/n. 385216	23078
2	Fan Motor		23856
3	1 way - Water Inlet Valve		23497
4	Bin Thermostat		R23005
5	Evaporator Thermostat		R23896